

PRODUCT NOTE

Dodge® modified mounted bearings

Solving mounted bearing assembly issues

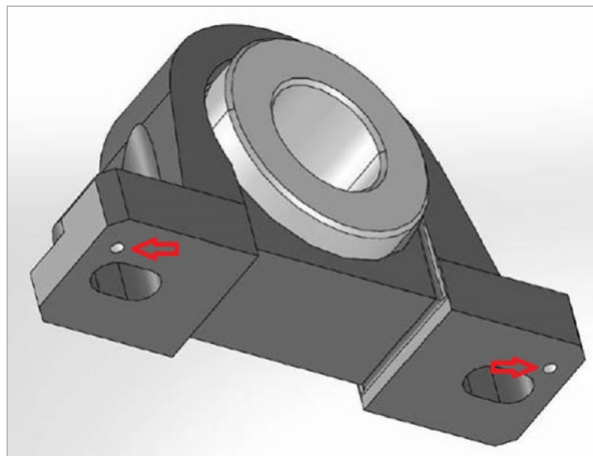


Challenge: Do you struggle to properly locate bearings to the mounting surface?

An industrial oven manufacturer was having problems accurately assembling pillow blocks to the mounting surface. They also required a special grease and fill rate for long bearing life in this high temperature application.

Solution

With help of our Sales, Engineering, and Manufacturing staff, the OEM was supplied with a bearing unit with special positioning holes and pre-lubricated specifically for the application.

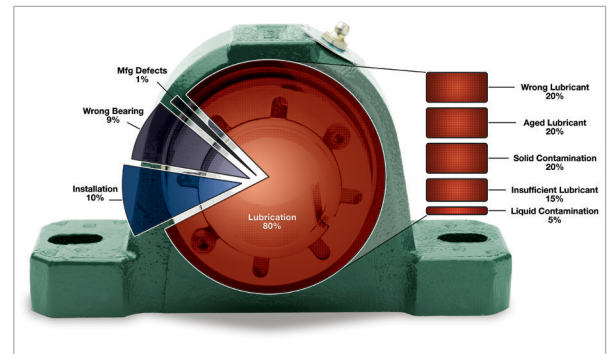


Precision machined holes help the OEM properly locate the bearings for quick installation.

Result

The new bearing design eased OEM installation effort and provided a bearing to meet or exceed warranty period.

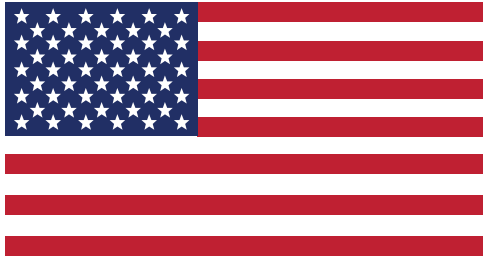
Modified Dodge bearings allowed the OEM to assemble units quicker and more accurately, while users were assured of proper grease and fill level to assure long bearing life.



Proper lubrication helps eliminate 55% of possible bearing failures.

Dodge® modified mounted bearings

Mounted bearings that meet your application needs



Local Manufacturing Video

Local manufacturing and customer service

Building Dodge mounted bearings locally, with modification capability, means that you get the bearing you need, when you need it. Being local also means that you get the availability and personal customer service you deserve.

Local sales engineers can work with you to review your specific standard bearing challenges and find the modification required for your specific application.

Dodge application engineering

brgpttechsupport@dodgeindustrial.com
864.284.5700

Mounted bearing modification capabilities include:



Sealing

- Accomodate high speeds and temperatures
- Minimize drag
- Protect bearings from harsh environments



Lubrication

- Supply specific greases and factory fill rates
- Provide bearings without grease for customer fill
- Plug bearings to reduce maintenance
- Plug bearings to avoid the addition of potentially incompatible grease by customer

Other modifications are available upon application and product review. Multiple modifications within a single unit may also be available.

Application specific mounted bearing modification capabilities include:



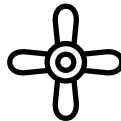
High temperature applications

- Designed especially for use in temperatures ranging from 215° to 400° F.



Low temperature applications

- Designed especially for use in temperatures ranging from -20° to -40° F



Air handling applications

- Specifically designed and tested for high speeds and quiet operation

