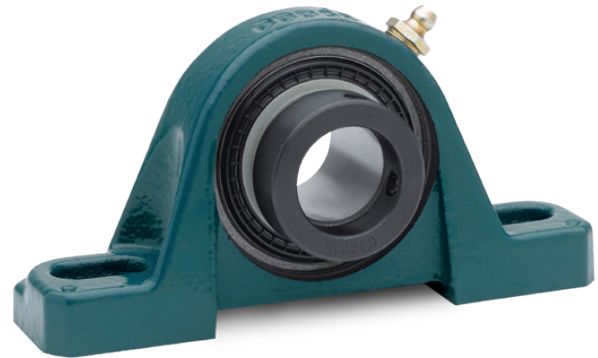




MOUNTED BALL BEARINGS

Eccentric Collar

Dodge® eccentric collar mounted ball bearings, with a rugged design and precision construction for maximum life and equipment uptime, have been manufactured in Rogersville, TN since 1971. We know that manufacturing locally allows us to consistently produce high quality, reliable products, and respond to customer needs quickly.



US-based manufacturing and distribution

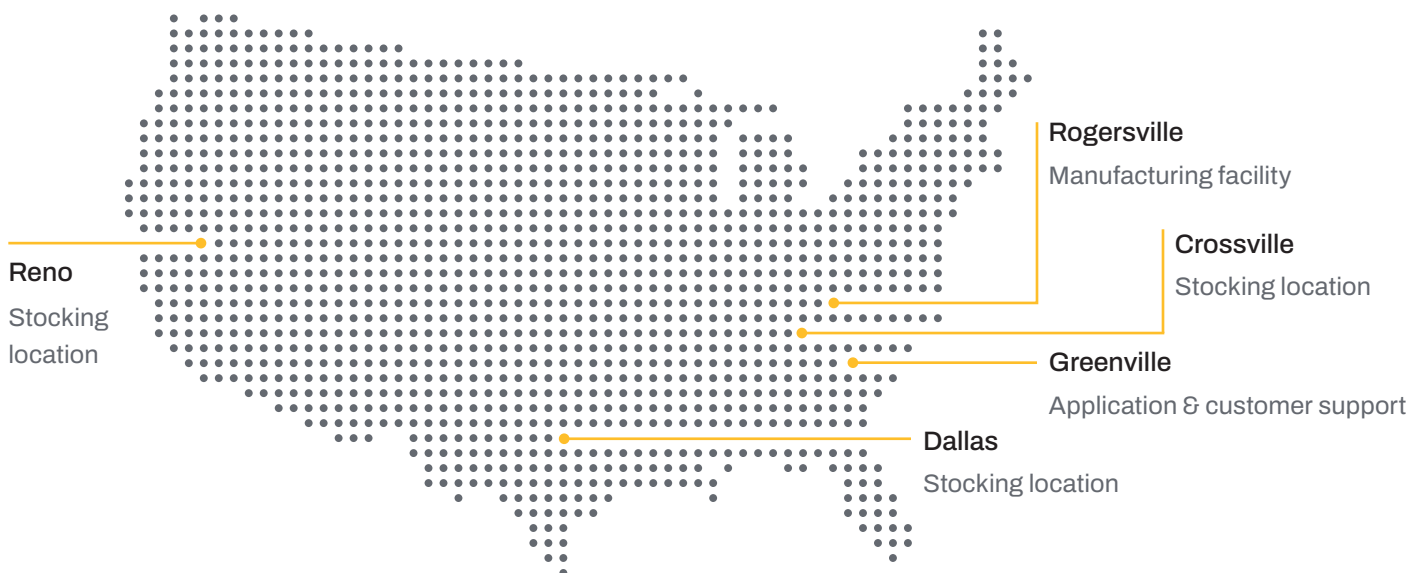
Consistent quality and product availability

- Local inventory available from over 250 distributor partners across the country
- Warehouses in Crossville, TN and Reno, NV
- Quick shipping on most non-stock items within three-five days or less
- Bearing manufacturing capability, not just assembly of components

US-based customer support

Responsiveness and ease of doing business

- Dedicated sales engineers in the US
- Customer service department in Greenville, SC
- Application engineering support in Greenville, SC



Eccentric Collar Ball Bearings

01

Durable cast iron housing

02

Tightly controlled fit between the insert and housing to allow for misalignment

03

Carburized inner ring for durability and high shock load capability

04

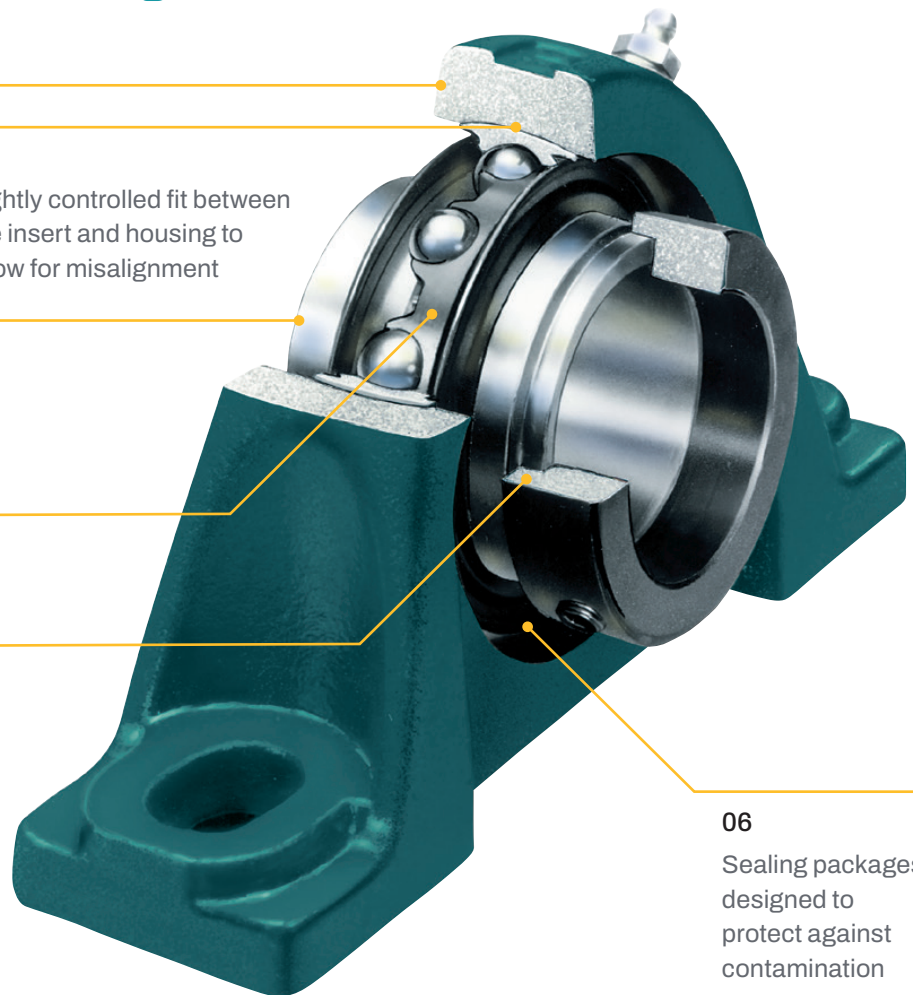
Innovative cage options

05

Eccentric collar locking system for simple and reliable shaft attachment

06

Sealing packages designed to protect against contamination



Complete Line of Options

Multiple housing styles and bore sizes to fit your exact requirements

	SXR/SXRB (in)	SXV/SXVB (in)	SLX (in)
Pillow block - P2B	1/2 - 2-15/16 *	1/2 - 2-3/16 *	1/2 - 1-7/16
2-bolt flange - F2B	1/2 - 2	1/2 - 2-3/16	1/2 - 1-7/16
4-bolt flange - F4B	1/2 - 2-15/16	1/2 - 2-3/16	1-1/2 - 2-3/16
3-bolt flange - F3B	N/A	N/A	3/4 - 1-7/16
Tapped base - TB	3/4 - 2-3/16	3/4 - 2-3/16	N/A
Piloted flange - FC	1-1/16 - 2-7/16	1-1/16 - 2-3/16	N/A
Narrow slot take-up - NSTU	3/4 - 2-7/16	3/4 - 2-3/16	N/A
Wide slot take-up - WSTU	3/4 - 2-15/16	3/4 - 2-3/16	N/A
Top angle take-up - GXR	1-15/16 - 2-15/16	N/A	N/A
Cylindrical - Cylindrical	7/8 - 1-7/16	N/A	N/A
Hanger - HNC	1-1/16 - 2	N/A	N/A

* Includes select SXRU/SXVU sizes



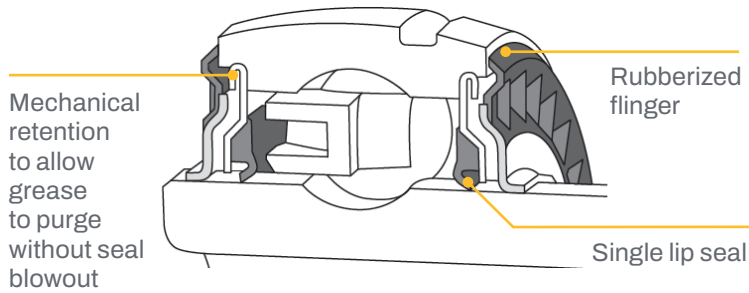
SXR/SXRB and Extreme Duty versions are end cap ready.

Standard Duty Sealing Package

Proven sealing system in many industrial environments

DualGuard seal:

Single lip seal with a rubberized flinger to prevent contamination.



Standard cage:

Fiberglass reinforced nylon construction allows for misalignment and does not absorb moisture.



Lubrication:

Unirex N2 lithium grease

Standard warranty:

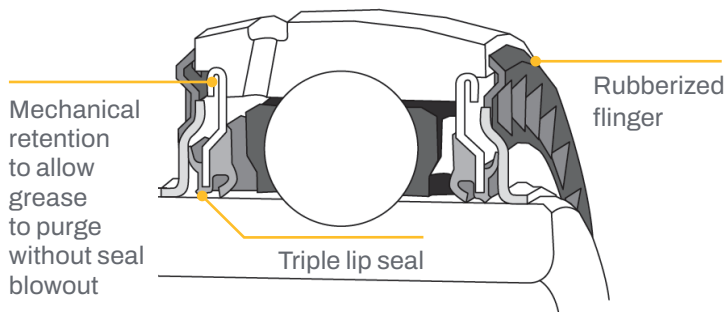
12 months in service / 18 months from date of manufacture

Extreme Duty Sealing Package (harsh duty applications):

Longer life and increased reliability

QuadGuard seal:

Triple lip seal with a rubberized flinger for added protection against contaminants in extremely harsh environments.



Maxlife cage:

Patented two-piece cage design creates compartments to hold grease close to the ball track:

- Holds lubrication closer to the rolling element
- Resists contamination ingress
- Prevents lubrication washout



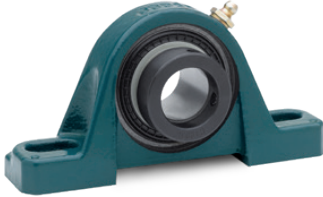
Lubrication:


Mobil PM220 synthetic grease leads to 4 times greater life compared to standard grease


Standard warranty:

Three-year warranty

Interchange Chart

Pillow blocks, two bolt	Manufacturer	Standard	Economy	Premium
	Dodge®	P2B-SXRB-xxx	P2B-SXVB-xxx	P2B-SXRBED-xxx
	Timken (Fafnir)	RAKx	VAKx	TAKx
	Peer	HCP2xx-x	FHLP2xx-x	HCP2xx-x TRL
	AMI	UGAK2xx-x	KHLP2xx-x	UGAK2xx-x RF
	Browning	VPLE2xx	VPLE 1xx	N/A
	FYH	NAPK2xx-x	N/A	NAPK2xx-x L3
	Hub City	PB220W x	PB220 x	PB220WM x
	IPTCI	NAPL2xx-x	SAPL2xx-xG	NAPL2xx-x L3
	Link Belt	P3Y2xxN	PL3W2xxU	P3W2xxU E3

Flanges, two bolt	Manufacturer	Standard	Premium
	Dodge®	F2B-SXR-xxx	F2B-SXRED-xxx
	Timken (Fafnir)	RCJT	TCJT x
	Peer	HCFTS2xx-x	HCFTS2xx-x TRL
	AMI	UGFJT2xx-x	UGFJT2xx-x RF
	Browning	VF2E2xx	N/A
	FYH	NANFL2xx-x	NANFL2xx-x L3
	Hub City	FB230W x	B230HWM x
	IPTCI	NANFL2xx-x	NANFL2xx-x L3
	Link Belt	FX3Y2xxN	FX3Y2xxN E3

Flanges, four bolt	Manufacturer	Standard	Premium
	Dodge®	F4B-SXR-xxx	F4B-SXRED-xxx
	Timken (Fafnir)	RCJ x	TCJ x
	Peer	HCFS2xx-x	HCFS2xx-x TRL
	AMI	UGSLF2xx-x	UGSLF2xx-x RF
	Browning	VF4E2xx	N/A
	FYH	NANF2xx-x	NANF2xx-x L3
	Hub City	FB220W x	FB220HWM x
	IPTCI	NANF2xx-x w/L3	NANF2xx-x L3
	Link Belt	F3Y2xxN	F3Y2xxN E3



Dodge Industrial, Inc.

1061 Holland Road, Simpsonville, SC 29681

+1 864 297 4800

dodgeindustrial.com

Dodge Industrial, Inc. reserves all rights in this document and in the subject matter and illustrations contained therein. We reserve the right to modify contents without prior notice and do not accept responsibility for potential errors or possible lack of information in this document. Dodge Industrial, Inc. Terms and Conditions apply. Any reproduction, disclosure to third parties or utilization of its contents—in whole or in parts—is forbidden without prior written consent of Dodge Industrial, Inc.

© Copyright Dodge Industrial, Inc. All rights reserved. Specifications subject to change without notice.
An RBC Bearings company.

BR1BL01-7.22