

# CONTENTS

## Plummer Blocks Metric-Dimensioned Housings

Features/Benefits	
ISN .....	B16-3
ISNX .....	B16-14
SNX .....	B16-25
SDX / SDXD .....	B16-24, B-16-25
Nomenclature .....	B16-6
Selection	
Imperial Housing Style .....	B16-7
ISN .....	B16-8
ISN Plummer Block .....	B16-12
ISNX Hydraulic .....	B16-18
Dimensions	
ISN .....	B16-13
ISN Bearing Inserts .....	B16-16
ISNX Hydraulic .....	B16-18
ISN Lockplate Kits .....	B16-21
ISN End Cover .....	B16-21
Imperial Spanner .....	B16-22
SNX .....	B16-26
SDX .....	B16-42
SDXD .....	B16-46
Part Number Index .....	INDEX-1
Key Word Index .....	KEYWORD-1

# CONTENTS

---

Plummer Blocks

Sleeve Bearings

SLEEVOIL

Take-Up Frames

Engineering

Part Number Index

Keyword Index

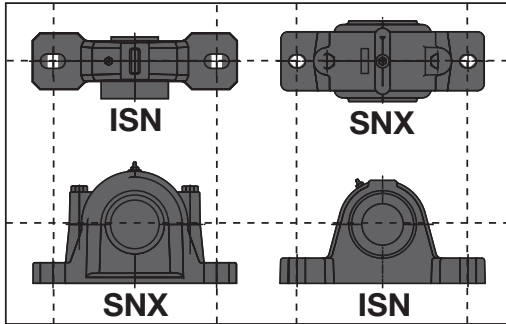
# FEATURES/BENEFITS

## ISN

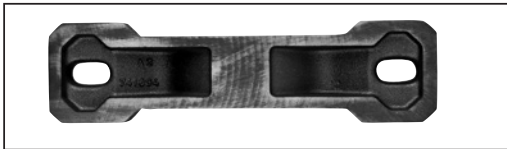
Shaft Ready / Adapter Mount / SN Dimensions

### Patented Adapter Mounting System

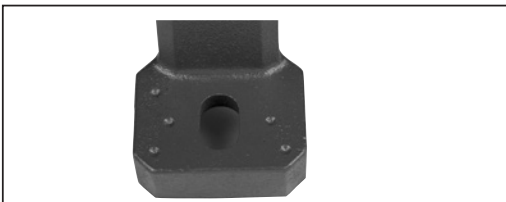
- Quick installation and removal in 15 minutes or less
- Clearance setting without feeler gauges
- Full shaft contact reduces or eliminates fretting corrosion
- Locknut tightens the bearing on the shaft when turned clockwise
- Counter-clockwise rotation of the locknut loosens the bearing from the shaft
- 22200 series spherical roller bearing with steel cage and guide ring



Dimensionally interchangeable with housings of the SN family. Preassembled - no risk of bearing contamination during field assembly or incorrect parts.



Stronger feet for higher load capacity.



Cast-in drilling location dimples: for dowels or four-bolt mounting.

# FEATURES/BENEFITS

Plummer Blocks

Sleeve Bearings

SLEEVOIL

Take-Up Frames

Engineering

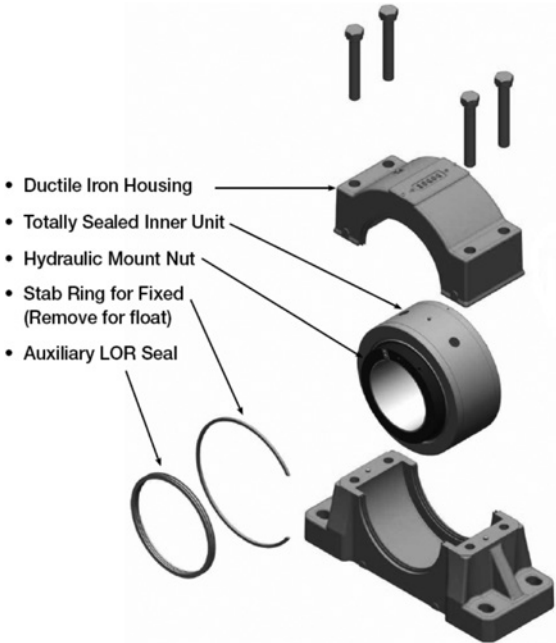
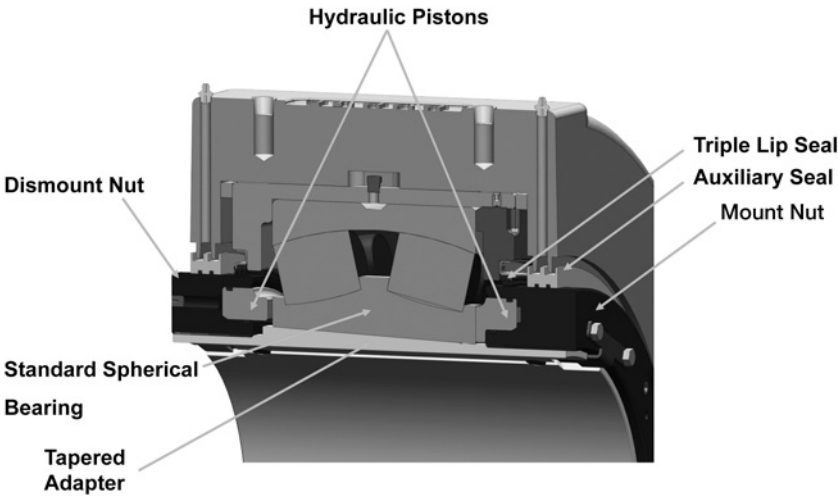
Part Number Index

Keyword Index

## ISNX Hydraulic Mount/Dismount with SN Dimensions

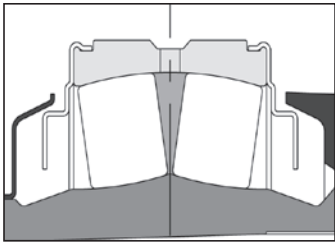
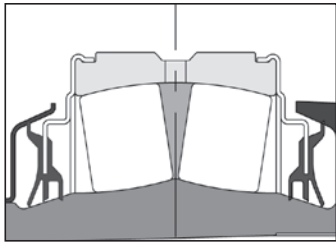
### Patented Hydraulic Mount and Dismount System

- Incorporates a hydraulic mount and dismount nut as a standard feature on the inner unit for quicker installation and removal of bearing.
- Totally sealed inner unit prevents contamination during installation
- Harsh duty sealing system is functionally equivalent to a standard Taconite seal
- SN/SD dimensioned housing that matches ISO 113 standards
- Incorporates standard 23144 thru 23176 double row spherical roller bearings
- 150mm thru 360mm bore size
- High strength ductile iron housing is standard
- Incorporates a fixing ring for expansion/non-expansion capability



# FEATURES/BENEFITS

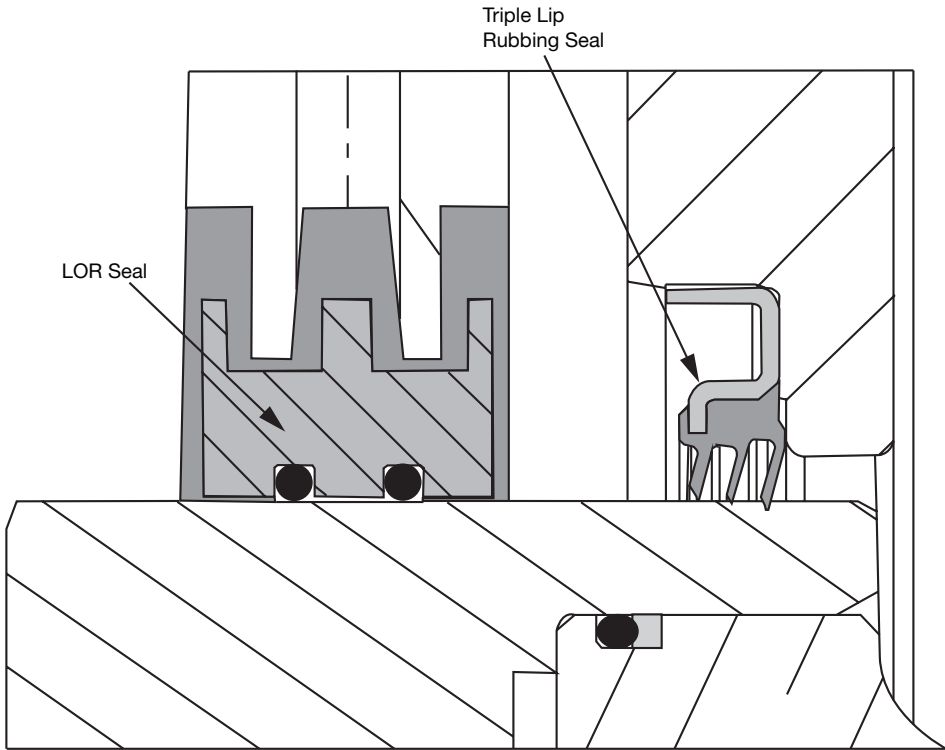
## ISN



**TRIDENT™ Seal** - Patented design triple-lip rubbing seal with corrosion resistant flingers; positive seal contact up to  $\pm 1^\circ$  misalignment.

**Labyrinth Seal** - Patented design clearance steel seal carrier with corrosion resistant flingers.

## ISNX





# NOMENCLATURE

## ISN BEARING NOMENCLATURE

Plummer Blocks

Sleeve Bearings

SLEEVOIL

Take-Up Frames

Engineering

Part Number Index

Keyword Index

### P2B524 - ISN - 110MFR

**Housing Style Options:**

P2B = Plummer Block, 2-Bolt Base, Cast Iron  
F4B = Flange 4-Bolt, Cast Iron

**Housing Size:**

5xx describes the associated DIN - SN Pillow block housing size

**M = Size in millimeters otherwise 1-10/16"**

Other Data / Seals:  
F = non-expansion  
L = expansion (non-locating)  
R = Trident Rubbing Seal  
S = Labyrinth Seal  
HYD = Integral Hydraulic Mounting/Dismounting

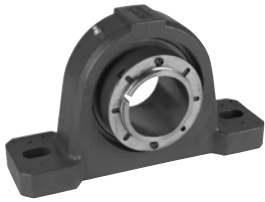
**Bearing Type Options:**

ISN, SN style w/Imperial locking mechanism  
IP = Imperial Mount  
ISAF- Imperial Mount SAF  
ISNX HYD = Hydraulic Mount/Dismount  
SNX = Plummer Block to 140 mm  
SDX = Plummer Block to 320 mm  
SDXD = Plummer Block to 320 mm

FEATURES/BENEFITS PAGE B16-3	NOMENCLATURE PAGE B16-6	SELECTION PAGE B16-8	DIMENSIONS PAGE B16-13
---------------------------------	----------------------------	-------------------------	---------------------------

# SELECTION

## IMPERIAL HOUSING STYLES



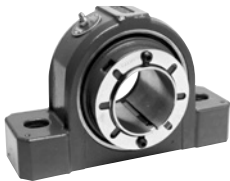
**ISN**  
35 - 140 mm  
1-1/4" - 5-1/2"

**ISAF**  
35 - 125 mm  
1-7/16" - 7"



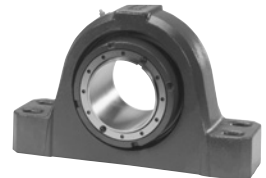
**ISNX HYD**  
150 - 360 mm

**ISAF HYD**  
140 - 380 mm  
5-7/16" - 15"



**P2B**  
35 - 100 mm  
1-1/8" - 4"

**P4B**  
35 - 140 mm  
2-3/8" - 5-1/2"



**F4B**  
35 - 100 mm  
1-7/16" - 3-15/16"

**FC**  
35 - 125 mm  
1-1/8" - 5"



**WSTU**  
35 - 100 mm  
1-1/8" - 4"

**Insert / Lager**  
35 - 140 mm  
1-1/8" - 7"



**EP2B**  
35 - 90 mm  
1-3/8" - 3-1/2"

**EP4B**  
60 - 125 mm  
2-1/4" - 5"

Plummer Blocks

Sleeve Bearings

SLEEVOIL

Take-Up Frames

Engineering

Part Number Index

Keyword Index

FEATURES/BENEFITS PAGE B16-3	NOMENCLATURE PAGE B16-6	SELECTION PAGE B16-7	DIMENSIONS PAGE B16-13
---------------------------------	----------------------------	-------------------------	---------------------------

# NOMENCLATURE

## ISN RATINGS

**Table 1: ISN Spherical Roller Bearings**

Housing	Bearings	Maximum Allowable Adapter Thrust kN	Basic Load Ratings		e	$F_A/F_R \leq e$		$F_A/F_R > e$		Max. RPM ★		Maximum Expansion
			Dynamic Capacity (C) kN	Static Capacity (C <sub>0</sub> ) kN		X <sub>1</sub>	Y <sub>1</sub>	X <sub>2</sub>	Y <sub>2</sub>	Trident Seal	Labyrinth Seal	
507 508	<b>22208</b>	2.7	93	94	0.28	1.0	2.4	0.67	3.6	3975	6000	3.18
509	<b>22209</b>	3.1	93	105	0.26	1.0	2.6	0.67	3.9	3725	5600	3.18
510 511	<b>22210</b>	3.4	98	118	0.24	1.0	2.8	0.67	4.2	3520	5300	6.35
512	<b>22211</b>	4.1	120	145	0.23	1.0	2.9	0.67	4.3	3000	4500	6.35
513	<b>22213</b>	6.0	174	216	0.24	1.0	2.8	0.67	4.2	2400	3800	6.35
515 516 517	<b>22215</b>	7.0	185	236	0.22	1.0	3.1	0.67	4.6	2250	3400	6.35
518 519	<b>22218</b>	10.8	285	363	0.23	1.0	2.9	0.67	4.3	1825	2600	6.35
520 522	<b>22220</b>	13.8	369	463	0.24	1.0	2.8	0.67	4.2	1530	2200	7.94
524	<b>22222</b>	17.5	463	587	0.25	1.0	2.7	0.67	4.0	1325	2000	9.53
526 528	<b>22226</b>	25.0	650	872	0.26	1.0	2.6	0.67	4.0	1175	1800	9.53
530	<b>22228</b>	28.5	738	1050	0.25	1.0	2.7	0.67	4.0	1100	1700	9.53
532	<b>22232</b>	38.4	979	1401	0.26	1.0	2.6	0.68	3.9	975	1500	9.53

Refer to pages B10-1 and B10-2 for information on bearing calculations, including L<sub>10</sub> life and loads

★ Maximum grease speed is dependant on load and ambient conditions. Consult Dodge Engineering.





# NOMENCLATURE

## ISN EASY SELECTION

**Table 2: ISN Double Row Spherical Roller Bearing**

Housing	L <sub>10</sub> Life Hours	Allowable Equivalent Radial Load Rating (kN) at Various RPM																					
		50	100	150	250	500	750	1000	1300	1500	1700	1800	2000	2200	2600	2750	3000	3400	3800	4500	5300	5600	6000
507	10000	33	27	24	21	17	15	14	13	12	12	11	11	11	10	10	10	7	6	9	8	8	8
	30000	24	20	17	15	12	11	10	9	9	8	8	8	8	7	7	7	7	6	6	6	6	6
	40000	22	18	16	14	11	10	9	8	8	8	8	7	7	7	7	6	6	6	6	5	5	5
	60000	20	16	14	12	10	9	8	7	7	7	7	6	6	6	6	6	6	5	5	5	5	5
	100000	17	14	12	10	8	7	7	6	6	6	6	6	5	5	5	5	5	5	4	4	4	4
508	10000	33	27	24	21	17	15	14	13	12	12	11	11	11	10	10	10	7	6	9	8	8	8
	30000	24	20	17	15	12	11	10	9	9	8	8	8	8	7	7	7	7	6	6	6	6	6
	40000	22	18	16	14	11	10	9	8	8	8	8	7	7	7	7	6	6	6	6	5	5	5
	60000	20	16	14	12	10	9	8	7	7	7	7	6	6	6	6	6	6	5	5	5	5	5
	100000	17	14	12	10	8	7	7	6	6	6	6	6	5	5	5	5	5	5	4	4	4	4
509	10000	33	27	24	21	17	15	14	13	12	12	11	11	11	10	10	10	7	9	9	6	8	
	30000	24	20	17	15	12	11	10	9	9	8	8	8	8	7	7	7	7	8	6	6	6	
	40000	22	18	16	14	11	10	9	8	8	8	8	7	7	7	7	6	6	6	6	5	5	
	60000	20	16	14	12	10	9	8	7	7	7	7	6	6	6	6	6	6	5	5	5	5	
	100000	17	14	12	10	8	7	7	6	6	6	6	6	5	5	5	5	5	5	4	4	4	4
510	10000	35	29	25	22	18	16	14	13	13	12	12	12	11	11	11	10	7	10	9	9		
	30000	25	21	18	16	13	11	10	10	9	9	9	8	8	8	8	7	7	7	7	6		
	40000	23	19	17	14	12	10	10	9	8	8	8	8	7	7	7	7	6	6	6	6		
	60000	21	17	15	13	10	9	8	8	7	7	7	7	6	6	6	6	6	6	5	5		
	100000	18	14	13	11	9	8	7	7	6	6	6	6	6	5	5	5	5	5	5	4		
511	10000	35	29	25	22	18	16	14	13	13	12	12	12	11	11	11	10	7	10	9	9		
	30000	25	21	18	16	13	11	10	10	9	9	9	8	8	8	8	7	7	7	7	6		
	40000	23	19	17	14	12	10	10	9	8	8	8	8	7	7	7	7	6	6	6	6		
	60000	21	17	15	13	10	9	8	8	7	7	7	7	6	6	6	6	6	6	5	5		
	100000	18	14	13	11	9	8	7	7	6	6	6	6	6	5	5	5	5	5	5	4		
512	10000	43	35	31	27	22	19	18	16	16	15	15	14	14	13	13	9	12	12	11			
	30000	31	25	22	19	16	14	13	12	11	11	11	10	10	10	9	9	9	9	8			
	40000	29	23	21	18	14	13	12	11	10	10	10	9	9	9	9	8	8	8	7			
	60000	25	21	18	16	13	11	10	10	9	9	9	8	8	8	8	7	7	7	7			
	100000	22	18	16	13	11	10	9	8	8	8	8	7	7	7	7	6	6	6	6			
513	10000	61	50	44	38	31	27	25	23	22	21	21	20	14	19	18	18	17	17				
	30000	44	36	32	27	22	19	18	17	16	15	15	15	14	13	13	13	12	12				
	40000	40	33	29	25	20	18	16	15	15	14	14	13	13	12	12	12	11	11				
	60000	36	29	26	22	18	16	15	13	13	12	12	12	11	11	11	10	10	10				
	100000	31	25	22	19	15	14	12	12	11	11	10	10	10	9	9	9	9	8				
515	10000	67	54	48	41	33	30	27	25	24	23	23	22	15	20	20	19	19					
	30000	48	39	34	30	24	21	20	18	17	17	16	16	15	15	14	14	14					
	40000	44	36	32	27	22	20	18	17	16	15	15	15	14	13	13	13	12					
	60000	39	32	28	24	20	17	16	15	14	14	13	13	13	12	12	11	11					
	100000	33	27	24	21	17	15	14	13	12	12	11	11	11	10	10	10	9					
516	10000	67	54	48	41	33	30	27	25	24	23	23	22	15	20	20	19	19					
	30000	48	39	34	30	24	21	20	18	17	17	16	16	15	15	14	14	14					
	40000	44	36	32	27	22	20	18	17	16	15	15	15	14	13	13	13	12					
	60000	39	32	28	24	20	17	16	15	14	14	13	13	13	12	12	11	11					
	100000	33	27	24	21	17	15	14	13	12	12	11	11	11	10	10	10	9					

Use the labyrinth (S) seal for applications to the right of the vertical line.

For applications in the Dark shaded areas, the maximum load for the specific speed is shown. The load does not correspond to the L<sub>10</sub> shown.

Applications in the Light shaded areas may require high temperature lubrication. Please consult DODGE Engineering.

FEATURES/BENEFITS PAGE B16-3	NOMENCLATURE PAGE B16-6	SELECTION PAGE B16-8	DIMENSIONS PAGE B16-13
---------------------------------	----------------------------	-------------------------	---------------------------

Plummer Blocks  
Sleeve Bearings  
SLEEVOIL  
Take-Up Frames  
Engineering  
Part Number Index  
Keyword Index



# NOMENCLATURE

## ISN EASY SELECTION

**Table 2: ISN Double Row Spherical Roller Bearing (continued)**

Housing	L <sub>10</sub> Life Hours	Allowable Equivalent Radial Load Rating (kN) at Various RPM																					
		50	100	150	250	500	750	1000	1300	1500	1700	1800	2000	2200	2600	2750	3000	3400	3800	4500	5300	5600	6000
517	10000	67	54	48	41	33	30	27	25	24	23	23	22	15	20	20	19	19					
	30000	48	39	34	30	24	21	20	18	17	17	16	16	15	15	14	14	14					
	40000	44	36	32	27	22	20	18	17	16	15	15	15	14	13	13	13	12					
	60000	39	32	28	24	20	17	16	15	14	14	13	13	13	12	12	11	11					
	100000	33	27	24	21	17	15	14	13	12	12	11	11	11	10	10	10	9					
518	10000	105	85	76	65	53	47	43	40	38	37	26	35	34	32								
	30000	76	61	54	47	38	34	31	28	27	26	26	25	24	23								
	40000	69	56	50	43	35	31	28	26	25	24	24	23	22	21								
	60000	61	50	44	38	31	27	25	23	22	21	21	20	20	19								
	100000	53	43	38	33	26	23	21	20	19	18	18	17	17	16								
519	10000	105	85	76	65	53	47	43	40	38	37	26	35	34	32								
	30000	76	61	54	47	38	34	31	28	27	26	26	25	24	23								
	40000	69	56	50	43	35	31	28	26	25	24	24	23	22	21								
	60000	61	50	44	38	31	27	25	23	22	21	21	20	20	19								
	100000	53	43	38	33	26	23	21	20	19	18	18	17	17	16								
520	10000	133	108	96	82	67	59	54	50	35	46	45	44	43									
	30000	96	78	69	59	48	43	39	36	35	33	33	32	31									
	40000	88	71	63	54	44	39	36	33	32	31	30	29	28									
	60000	78	63	56	48	39	35	32	29	28	27	27	26	25									
	100000	67	54	48	41	33	30	27	25	24	23	23	22	21									
522	10000	133	108	96	82	67	59	54	50	35	46	45	44	43									
	30000	96	78	69	59	48	43	39	36	35	33	33	32	31									
	40000	88	71	63	54	44	39	36	33	32	31	30	29	28									
	60000	78	63	56	48	39	35	32	29	28	27	27	26	25									
	100000	67	54	48	41	33	30	27	25	24	23	23	22	21									
524	10000	167	135	120	103	84	74	68	45	60	58	57	55										
	30000	120	97	86	74	60	53	49	45	43	42	41	40										
	40000	110	89	79	68	55	49	45	41	40	38	38	36										
	60000	97	79	70	60	49	43	40	37	35	34	33	32										
	100000	84	68	60	52	42	37	34	31	30	29	29	28										
526	10000	234	190	168	144	117	104	69	88	84	81	80											
	30000	168	137	121	104	84	75	69	63	61	59	58											
	40000	154	125	111	95	77	69	63	58	56	54	53											
	60000	137	111	98	84	69	61	56	52	49	48	47											
	100000	117	95	84	72	59	52	48	44	42	41	40											
528	10000	234	190	168	144	117	104	69	88	84	81	80											
	30000	168	137	121	104	84	75	69	63	61	59	58											
	40000	154	125	111	95	77	69	63	58	56	54	53											
	60000	137	111	98	84	69	61	56	52	49	48	47											
	100000	117	95	84	72	59	52	48	44	42	41	40											
530	10000	266	216	191	164	133	118	78	100	96	92												
	30000	191	155	138	118	96	85	78	72	69	66												
	40000	176	143	126	108	88	78	71	66	63	61												
	60000	155	126	112	96	78	69	63	59	56	54												
	100000	133	108	96	82	67	59	54	50	48	46												
532	10000	353	287	254	218	177	113	144	133	127													
	30000	254	206	182	157	127	113	103	95	91													
	40000	233	189	167	144	117	103	95	88	84													
	60000	206	167	148	127	103	91	84	78	74													
	100000	177	144	127	109	89	78	72	67	64													

Use the labyrinth (S) seal for applications to the right of the vertical line.  
 For applications in the Dark shaded areas, the maximum load for the specific speed is shown. The load does not correspond to the L<sub>10</sub> shown.  
 Applications in the Light shaded areas may require high temperature lubrication. Please consult DODGE Engineering.

FEATURES/BENEFITS PAGE B16-3	NOMENCLATURE PAGE B16-6	SELECTION PAGE B16-8	DIMENSIONS PAGE B16-13
---------------------------------	----------------------------	-------------------------	---------------------------

# NOMENCLATURE

## IMPERIAL - ISN Spherical Roller Bearings

**Table 4: Definition Of Operating Conditions  
For Unitized Spherical Roller Bearings**

LOW SPEED	UP TO 20% OF MAX. RPM (TABLE 1)
MEDIUM SPEED	OVER 20% TO 80% OF MAX. RPM
HIGH SPEED	OVER 80% OF MAX. RPM
LIGHT LOAD	UP TO 8% OF <b>C</b> (TABLE 1)
NORMAL LOAD	OVER 8% TO 18% OF <b>C</b>
HEAVY LOAD	OVER 18% OF <b>C</b>
	<b>C</b> - DYNAMIC CAPACITY
LOW TEMPERATURE	-73°C to -7°C
MEDIUM TEMPERATURE	OVER -7°C to 93°C
HIGH TEMPERATURE	OVER 93°C to 122°C



# SELECTION

## ISN PLUMMER BLOCKS WITH TRIDENT SEALS

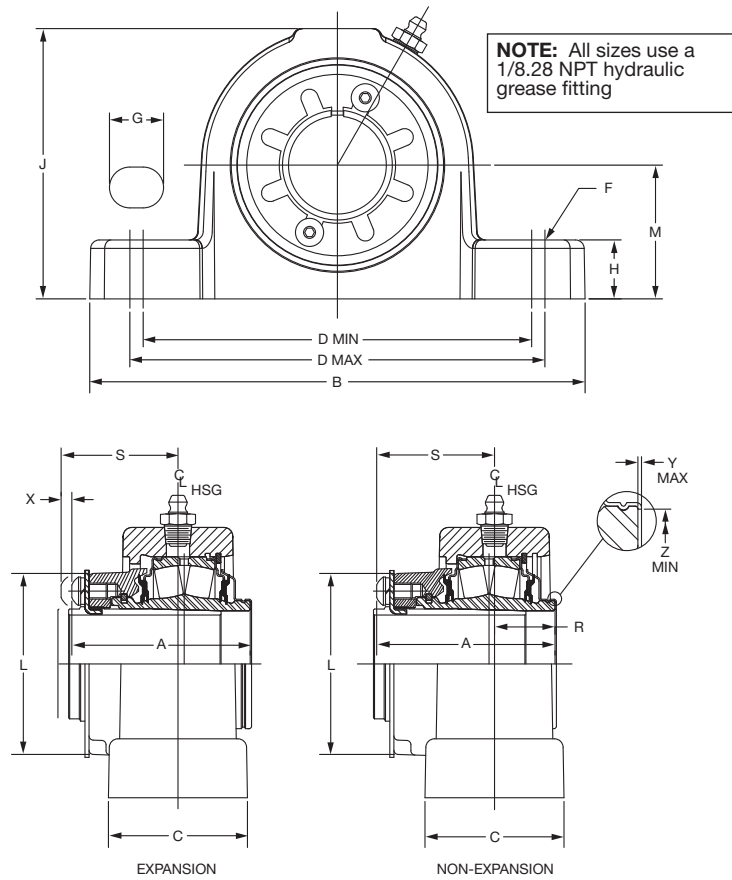
Series	Ø Shaft	Fixed bearing		Expansion Bearing		Hsg / Insert Pt #	Description	Sleeve Pt #	Description
		Part No.	Description	Part No.	Description				
507	30 mm	071000	P2B507-ISN-030MFR	071017	P2B507-ISN-030MLR	071983	ISN 507-22208 FR	744975	ADPTR-IP-22208-30M
	1-1/8	747900	P2B507-ISN-102 FR	747904	P2B507-ISN-102 LR	071983	ISN 507-22208 FR	069286	ADPTR-IP-22208-102
	1-3/16	747901	P2B507-ISN-103FR	747905	P2B507-ISN-103 LR	071983	ISN 507-22208 FR	069287	ADPTR-IP-22208-103
508	35 mm	071001	P2B508-ISN-035MFR	071018	P2B508-ISN-035MLR	071984	ISN 508-22208 FR	744976	ADPTR-IP-22208-35M
	1-1/4	747908	P2B508-ISN-104 FR	747912	P2B508-ISN-104 LR	071984	ISN 508-22208 FR	069288	ADPTR-IP-22208-104
	1-3/8	747909	P2B508-ISN-106 FR	747913	P2B508-ISN-106 LR	071984	ISN 508-22208 FR	069289	ADPTR-IP-22208-106
509	40 mm	071002	P2B509-ISN-040MFR	071019	P2B509-ISN-040MLR	071985	ISN 509-22209 FR	744977	ADPTR-IP-22209-40M
	1-7/16	747916	P2B509-ISN-107 FR	747920	P2B509-ISN-107 LR	071985	ISN 509-22209 FR	064153	ADPTR-IP-22209-107
	1-1/2	747917	P2B509-ISN-108 FR	747921	P2B509-ISN-108 LR	071985	ISN 509-22209 FR	064154	ADPTR-IP-22209-108
510	45 mm	071003	P2B510-ISN-045MFR	071020	P2B510-ISN-045MLR	071986	ISN 510-22210 FR	744978	ADPTR-IP-22210-45M
	1-11/16	747924	P2B510-ISN-111 FR	747928	P2B510-ISN-111 LR	071986	ISN 510-22210 FR	064155	ADPTR-IP-22210-111
	1-3/4	747925	P2B510-ISN-112 FR	747929	P2B510-ISN-112 LR	071986	ISN 510-22210 FR	064156	ADPTR-IP-22210-112
511	50 mm	071004	P2B511-ISN-050MFR	071021	P2B511-ISN-050MLR	071987	ISN 511-22210 FR	744979	ADPTR-IP-22210-50M
	1-15/16	747932	P2B511-ISN-115 FR	747936	P2B511-ISN-115 LR	071987	ISN 511-22210 FR	069296	ADPTR-IP-22210-115
	2	747933	P2B511-ISN-200 FR	747937	P2B511-ISN-200 LR	071987	ISN 511-22210 FR	069297	ADPTR-IP-22210-200
512	55 mm	071005	P2B512-ISN-055MFR	071022	P2B512-ISN-055MLR	071988	ISN 512-22211 FR	744980	ADPTR-IP-22211-055M
	2-1/8	748012	P2B512-ISN-202 FR	748013	P2B512-ISN-202 LR	071988	ISN 512-22211 FR	064157	ADPTR-IP-22211-202
513	60 mm	071006	P2B513-ISN-060MFR	071023	P2B513-ISN-060MLR	071989	ISN 513-22213 FR	744981	ADPTR-IP-22213-60M
	2-3/16	747940	P2B513-ISN-203 FR	747944	P2B513-ISN-203 LR	071989	ISN 513-22213 FR	064070	ADPTR-IP-22213-203
	2-1/4	747941	P2B513-ISN-204 FR	747945	P2B513-ISN-204 LR	071989	ISN 513-22213 FR	064071	ADPTR-IP-22213-204
515	65 mm	071007	P2B515-ISN-065MFR	071024	P2B515-ISN-065MLR	071990	ISN 515-22215 FR	744982	ADPTR-IP-22215-65M
	2-7/16	747948	P2B515-ISN-207 FR	747952	P2B515-ISN-207 LR	071990	ISN 515-22215 FR	064072	ADPTR-IP-22215-207
	2-1/2	747949	P2B515-ISN-208 FR	747953	P2B515-ISN-208 LR	071990	ISN 515-22215 FR	064073	ADPTR-IP-22215-208
516	70 mm	071008	P2B516-ISN-070MFR	071025	P2B516-ISN-070MLR	071991	ISN 516/517-22215 FR	744983	ADPTR-IP-22215-70M
	2-11/16	747956	P2B516-ISN-211 FR	747960	P2B516-ISN-211 LR	071991	ISN 516/517-22215 FR	069303	ADPTR-IP-22215-211
	2-3/4	747957	P2B516-ISN-212 FR	747961	P2B516-ISN-212 LR	071991	ISN 516/517-22215 FR	069304	ADPTR-IP-22215-212
517	75 mm	071009	P2B517-ISN-075MFR	071026	P2B517-ISN-075MLR	071991	ISN 516/517-22215 FR	744984	ADPTR-IP-22215-75MM
	2-15/16	747964	P2B517-ISN-215 FR	747968	P2B517-ISN-215 LR	071991	ISN 516/517-22215 FR	069305	ADPTR-IP-22215-215
	3	747965	P2B517-ISN-300 FR	747969	P2B517-ISN-300 LR	071991	ISN 516/517-22215 FR	069306	ADPTR-IP-22215-300
518	80 mm	071010	P2B518-ISN-080MFR	071027	P2B518-ISN-080MLR	071992	ISN 518-22218 FR	744985	ADPTR-IP-22218-80M
	3-3/16	747972	P2B518-ISN-303 FR	747976	P2B518-ISN-303 LR	071992	ISN 518-22218 FR	069307	ADPTR-IP-22218-303
	3-1/4	747973	P2B518-ISN-304 FR	747977	P2B518-ISN-304 LR	071992	ISN 518-22218 FR	069308	ADPTR-IP-304
519	85 mm	071011	P2B519-ISN-085MFR	071028	P2B519-ISN-085MLR	071993	ISN 519-22218 FR	744986	ADPTR-IP-22218-85M
520	90 mm	071012	P2B520-ISN-090MFR	071029	P2B520-ISN-090MLR	071994	ISN 520-22220 FR	744987	ADPTR-IP-22220-090MM
	3-7/16	747980	P2B520-ISN-307 FR	747984	P2B520-ISN-307 LR	071994	ISN 520-22220 FR	064074	ADPTR-IP-22220-307
	3-1/2	747981	P2B520-ISN-308 FR	747985	P2B520-ISN-308 LR	071994	ISN 520-22220 FR	064075	ADPTR-IP-22220-308
522	100 mm	071013	P2B522-ISN-100MFR	071030	P2B522-ISN-100MLR	071995	ISN 522-22220 FR	744988	ADPTR-IP-22220-100MM
	3-15/16	747988	P2B522-ISN-315 FR	747992	P2B522-ISN-315 LR	071995	ISN 522-22220 FR	069312	ADPTR-IP-22220-315
	4	747989	P2B522-ISN-400 FR	747993	P2B522-ISN-400 LR	071995	ISN 522-22220 FR	069313	ADPTR-IP-22220-400
524	110 mm	071014	P2B524-ISN-110MFR	071031	P2B524-ISN-110MLR	071996	ISN 524-22222 FR	744989	ADPTR-IP-22222-110MM
526	115 mm	071015	P2B526-ISN-115MFR	071032	P2B526-ISN-115MLR	071997	ISN 526-22226 FR	744990	ADPTR-IP-22226-115MM
	4-7/16	747996	P2B526-ISN-407 FR	748000	P2B526-ISN-407 LR	071997	ISN 526-22226 FR	064076	ADPTR-IP-22226-407
	4-1/2	747997	P2B526-ISN-408 FR	748001	P2B526-ISN-408 LR	071997	ISN 526-22226 FR	064077	ADPTR-IP-22226-408
528	125 mm	071016	P2B528-ISN-125MFR	071033	P2B528-ISN-125MLR	071998	ISN 528-22226 FR	744991	ADPTR-IP-22226-125MM
	4-15/16	748004	P2B528-ISN-415 FR	748008	P2B528-ISN-415 LR	071998	ISN 528-22226 FR	069316	ADPTR-IP-22226-415
	5	748005	P2B528-ISN-500 FR	748009	P2B528-ISN-500 LR	071998	ISN 528-22226 FR	069317	ADPTR-IP-22226-500
530	135 mm	071102	P2B530-ISN-135MFR	071103	P2B530-ISN-135MLR			071114	ADPTR-IP-22228-135M
532	140	071106	P2B532-ISN-140MFR	071107	P2B532-ISN-140MLR			071115	ADPTR-IP-22230-140M

F = Non-Expansion, L = Expansion, R = Trident Rubbing Seal, S = Labyrinth Seal

FEATURES/BENEFITS PAGE B16-3	NOMENCLATURE PAGE B16-6	SELECTION PAGE B16-12	DIMENSIONS PAGE B16-13
---------------------------------	----------------------------	--------------------------	---------------------------

# SELECTION

## ISN DIMENSIONS



Series	Shaft Size mm	A	B	C	D		F Bolt Dia	G	H	J	L	M	R	S	X Total Expansion
					Min	Max									
507	30	66.7	184.9	52.0	145.0	155.0	M12	20.0	22.0	100.9	67.6	50.0	22.6	44.1	4.0
508	35	66.7	205.9	60.2	150.0	174.6	M12	27.3	25.0	110.8	67.6	60.0	22.6	44.1	4.0
509	40	71.4	206.3	60.2	155.0	174.6	M12	24.8	25.0	114.0	74.7	60.0	20.6	50.8	6.5
510	45	72.6	204.9	60.2	160.0	175.0	M12	22.5	25.0	113.8	81.0	60.0	21.8	50.8	6.5
511	50	72.6	253.9	70.2	190.0	215.9	M16	31.0	28.0	124.5	81.0	70.0	21.8	50.8	6.5
512	55	77.0	253.9	69.9	190.0	216.0	M16	31.0	30.0	130.3	87.1	70.0	23.0	54.0	7.0
513	60	86.9	274.9	80.2	205.0	235.0	M16	33.0	30.0	152.4	96.5	80.0	30.6	56.3	7.0
515	65	88.9	280.1	80.1	215.0	236.0	M16	28.5	30.0	156.0	106.7	80.0	31.4	57.5	7.0
516	70	88.9	315.9	90.2	244.5	268.3	M20	34.1	32.0	176.0	106.7	95.0	31.4	57.5	7.0
517	75	88.9	315.9	90.2	244.5	268.3	M20	34.1	32.0	176.0	106.7	95.0	31.4	57.5	7.0
518	80	106.0	345.3	110.3	270.0	293.7	M20	34.0	35.0	196.7	124.7	100.0	37.7	68.3	7.0
519	85	106.0	345.0	100.2	264.2	296.1	M20	37.9	35.0	205.2	124.7	112.0	37.7	68.3	7.0
520	90	120.0	379.8	110.2	292.8	327.0	M24	43.1	40.0	218.3	138.7	112.0	41.7	77.8	8.0
522	100	120.0	410.0	120.0	314.4	356.0	M24	46.8	45.0	239.0	138.7	125.0	41.7	77.8	8.0
524	110	133.0	410.0	120.0	314.5	356.0	M24	46.8	45.0	260.7	161.3	140.0	44.5	88.5	10.0
526	115	152.0	444.8	130.0	359.6	387.0	M24	41.7	50.0	292.8	191.8	150.0	48.4	103.6	10.0
528	125	152.0	500.0	150.2	400.0	427.0	M30	48.5	50.0	290.4	191.8	150.0	48.4	103.6	10.0
530	135	156.8	539.8	159.8	443.0	457.0	M30	42.0	60.0	312.5	222.2	160.0	51.8	105.0	16.3
532	140	179.8	560.0	160.0	463.0	477.0	M30	42.0	60.0	345.3	260.4	170.0	62.4	117.4	16.8

FEATURES/BENEFITS PAGE B16-3	NOMENCLATURE PAGE B16-6	SELECTION PAGE B16-12	DIMENSIONS PAGE B16-13
---------------------------------	----------------------------	--------------------------	---------------------------



# SELECTION

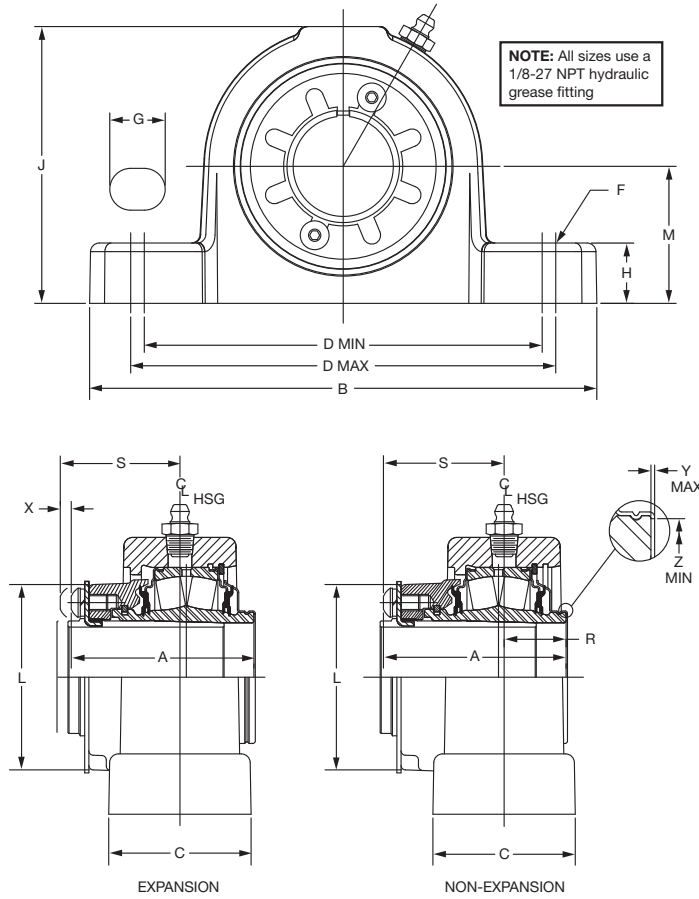
## ISN PLUMMER BLOCKS WITH LABYRINTH SEALS

### 30 Through 140mm, 2-Bolt

Series	Ø Shaft	Part No.	Fixed Bearing Description	Part No.	Exp. Bearing Description
507	30 mm	<b>071034</b>	P2B507-ISN-030MFS	<b>071051</b>	P2B507-ISN-030MLS
508	35 mm	<b>071035</b>	P2B508-ISN-035MFS	<b>071052</b>	P2B508-ISN-035MLS
509	40 mm	<b>071036</b>	P2B509-ISN-040MFS	<b>070053</b>	P2B509-ISN-040MLS
		<b>075154</b>	P2B509-ISN-108 FS		
510	45 mm	<b>071037</b>	P2B510-ISN-045MFS	<b>071054</b>	P2B510-ISN-045MLS
511	50 mm	<b>071038</b>	P2B511-ISN-050MFS	<b>071055</b>	P2B511-ISN-050MLS
512	55 mm	<b>071039</b>	P2B512-ISN-055MFS	<b>071056</b>	P2B512-ISN-055MLS
513	60 mm	<b>071040</b>	P2B513-ISN-060MFS	<b>071057</b>	P2B513-ISN-060MLS
		<b>077481</b>	P2B513-ISN-203 FS		
515	65 mm	<b>071041</b>	P2B515-ISN-065MFS	<b>071058</b>	P2B515-ISN-065MLS
		<b>074989</b>	P2B515-ISN-208 FS		
516	70 mm	<b>071042</b>	P2B516-ISN-070MFS	<b>071059</b>	P2B516-ISN-070MLS
517	7 mm	<b>071043</b>	P2B517-ISN-075MFS	<b>071060</b>	P2B517-ISN-075MLS
518	80 mm	<b>071044</b>	P2B518-ISN-080MFS	<b>071061</b>	P2B518-ISN-080MLS
519	8 5mm	<b>071045</b>	P2B519-ISN-085MFS	<b>071062</b>	P2B519-ISN-085MLS
520	90 mm	<b>071046</b>	P2B520-ISN-090MFS	<b>071063</b>	P2B520-ISN-090MLS
522	100 mm	<b>071047</b>	P2B522-ISN-100MFS	<b>071064</b>	P2B522-ISN-100MLS
524	110 mm	<b>071048</b>	P2B524-ISN-110MFS	<b>071065</b>	P2B524-ISN-110MLS
526	115 mm	<b>071049</b>	P2B526-ISN-115MFS	<b>071066</b>	P2B526-ISN-115MLS
528	125 mm	<b>071050</b>	P2B528-ISN-125MFS	<b>071067</b>	P2B528-ISN-125MLS
530	135 mm	<b>071104</b>	P2B530-ISN-135MFS	<b>071105</b>	P2B530-ISN-135MLS
532	140 mm	<b>071108</b>	P2B532-ISN-140MFS	<b>071109</b>	P2B532-ISN-140MLS

# DIMENSIONS

## ISN PLUMMER BLOCK DIMENSIONS



Series	Shaft Size mm	A	B	C	D		F Bolt Dia	G	H	J	L	M	R	S	X Total Expansion
					Min	Max									
507	30	66.7	184.9	52.0	145.0	155.0	M12	20.0	22.0	100.9	67.6	50.0	22.6	44.1	4.0
508	35	66.7	205.9	60.2	150.0	174.6	M12	27.3	25.0	110.8	67.6	60.0	22.6	44.1	4.0
509	40	71.4	206.3	60.2	155.0	174.6	M12	24.8	25.0	114.0	74.7	60.0	20.6	50.8	6.5
510	45	72.6	204.9	60.2	160.0	175.0	M12	22.5	25.0	113.8	81.0	60.0	21.8	50.8	6.5
511	50	72.6	253.9	70.2	190.0	215.9	M16	31.0	28.0	124.5	81.0	70.0	21.8	50.8	6.5
512	55	77.0	253.9	69.9	190.0	216.0	M16	31.0	30.0	130.3	87.1	70.0	23.0	54.0	7.0
513	60	86.9	274.9	80.2	205.0	235.0	M16	33.0	30.0	152.4	96.5	80.0	30.6	56.3	7.0
515	65	88.9	280.1	80.1	215.0	236.0	M16	28.5	30.0	156.0	106.7	80.0	31.4	57.5	7.0
516	70	88.9	315.9	90.2	244.5	268.3	M20	34.1	32.0	176.0	106.7	95.0	31.4	57.5	7.0
517	75	88.9	315.9	90.2	244.5	268.3	M20	34.1	32.0	176.0	106.7	95.0	31.4	57.5	7.0
518	80	106.0	345.3	100.3	270.0	293.7	M20	34.0	35.0	196.7	124.7	100.0	37.7	68.3	7.0
519	85	106.0	345.0	100.2	264.2	296.1	M20	37.9	35.0	205.2	124.7	112.0	37.7	68.3	7.0
520	90	120.0	379.8	110.2	292.8	327.0	M24	43.1	40.0	218.3	138.7	112.0	41.7	77.8	8.0
522	100	120.0	410.0	120.0	314.4	356.0	M24	46.8	45.0	239.0	138.7	125.0	41.7	77.8	8.0
524	110	133.0	410.0	120.0	314.5	356.0	M24	46.8	45.0	260.7	161.3	140.0	44.5	88.5	10.0
526	115	152.0	444.8	130.0	359.6	387.0	M24	41.7	50.0	292.8	191.8	150.0	48.4	103.6	10.0
528	125	152.0	500.0	150.2	400.0	427.0	M30	48.5	50.0	290.4	191.8	150.0	48.4	103.6	10.0
530	135	156.8	539.8	159.8	443.0	457.0	M30	42.0	60.0	312.5	222.2	160.0	51.8	105.0	16.3
532	140	179.8	560.0	160.0	463.0	477.0	M30	42.0	60.0	345.3	260.4	170.0	62.4	117.4	16.8

FEATURES/BENEFITS PAGE B16-3	NOMENCLATURE PAGE B16-6	SELECTION PAGE B16-12	DIMENSIONS PAGE B16-13
---------------------------------	----------------------------	--------------------------	---------------------------

# DIMENSIONS

## ISN BEARING INSERTS Metric Sizes 30-170 mm

Plummer Blocks

Sleeve Bearings

SLEEVOIL

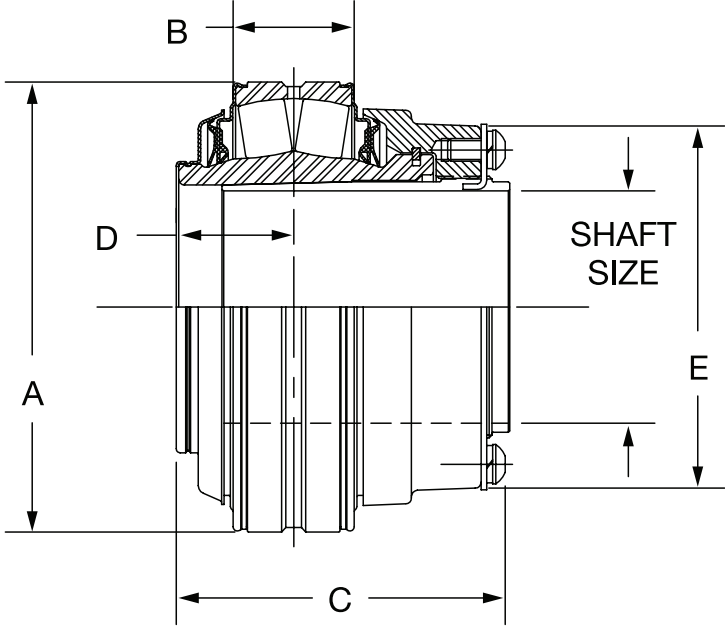
Take-Up Frames

Engineering

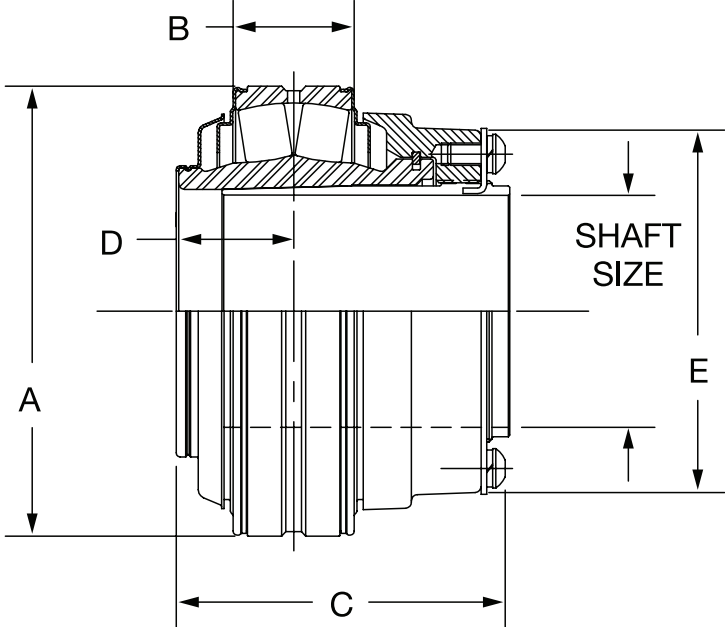
Part Number Index

Keyword Index

### CONTACT SEAL



### LABYRINTH SEAL



FEATURES/BENEFITS PAGE B16-3	NOMENCLATURE PAGE B16-6	SELECTION PAGE B16-12	DIMENSIONS PAGE B16-16
---------------------------------	----------------------------	--------------------------	---------------------------





# DIMENSIONS

## ISN BEARING INSERTS Metric Sizes 30-170 mm

Plummer Blocks

Sleeve Bearings

SLEEVOIL

Take-Up Frames

Engineering

Part Number Index

Keyword Index

Shaft Size mm	Contact Seal		Labyrinth Seal		Dimensions in mm				
	Part Number	Description	Part Number	Description	A	B	C	D	E
30	<b>071068</b>	INS-ISN-30MR	<b>071085</b>	INS-ISN-30MS	80.0	24.0	66.7	24.6	67.6
35	<b>071069</b>	INS-ISN-35MR	<b>071086</b>	INS-ISN-35MS					
40	<b>071070</b>	INS-ISN-40MR	<b>071087</b>	INS-ISN-40MS	85.0	24.0	71.4	24.2	74.7
45	<b>071071</b>	INS-ISN-45MR	<b>071088</b>	INS-ISN-45MS	90.0	24.0	72.6	24.8	81.0
50	<b>071072</b>	INS-ISN-50MR	<b>071089</b>	INS-ISN-50MS					
55	<b>071073</b>	INS-ISN-55MR	<b>071090</b>	INS-ISN-55MS	100.0	26.3	77.0	26.7	87.1
60	<b>071074</b>	INS-ISN-60MR	<b>071091</b>	INS-ISN-60MS	120.0	32.3	86.9	30.7	96.5
65	<b>071075</b>	INS-ISN-65MR	<b>071092</b>	INS-ISN-65MS	130.0	32.3	88.9	31.0	106.7
70	<b>071076</b>	INS-ISN-70MR	<b>071093</b>	INS-ISN-70MS					
75	<b>071077</b>	INS-ISN-75MR	<b>071094</b>	INS-ISN-75MS					
80	<b>071078</b>	INS-ISN-80MR	<b>071095</b>	INS-ISN-80MS	160.0	41.3	106.3	37.7	124.7
85	<b>071079</b>	INS-ISN-85MR	<b>071096</b>	INS-ISN-85MS					
90	<b>071080</b>	INS-ISN-90MR	<b>071097</b>	INS-ISN-90MS	180.0	47.3	120.0	41.8	138.7
100	<b>071081</b>	INS-ISN-100MR	<b>071098</b>	INS-ISN-100MS					
110	<b>071082</b>	INS-ISN-110MR	<b>071099</b>	INS-ISN-110MS	200.0	54.8	133.0	49.1	161.3
115	<b>071083</b>	INS-ISN-115MR	<b>071100</b>	INS-ISN-115MS	230.0	65.8	152.0	53.5	191.8
125	<b>071084</b>	INS-ISN-125MR	<b>071101</b>	INS-ISN-125MS					
135	<b>071116</b>	INS-ISN-135MR	<b>071117</b>	INS-ISN-135MS	250.0	69.9	156.8	59.4	222.2
140	<b>071118</b>	INS-ISN-140MR	<b>071119</b>	INS-ISN-140MS	290.0	81.8	179.8	70.3	260.4
150	<b>079991</b>	INS-ISN-150MR	—	—					
160	<b>079992</b>	INS-ISN-160MR	—	—	320.0	88.1	187.7	72.7	289.7
170	<b>079993</b>	INS-ISN-170MR	—	—					

FEATURES/BENEFITS PAGE B16-3	NOMENCLATURE PAGE B16-6	SELECTION PAGE B16-12	DIMENSIONS PAGE B16-16
---------------------------------	----------------------------	--------------------------	---------------------------



# DIMENSIONS

## ISNX Pillow Block Hydraulic

Table 5: Spherical Roller Bearings

### 23100K Series

Shaft Size Adapter Mounted Inches	Bearing Series	e	F <sub>A</sub> /F <sub>R</sub> ≤ e		F <sub>A</sub> /F <sub>R</sub> > e		Adapter Maximum Allowable Thrust Load kN †	Dynamic Capacity (C) kN	Static Capacity (C <sub>0</sub> ) kN	Maximum RPM
			X	Y	X	Y				
150 mm	23134K	.28	1	2.40	.67	3.50	45	1032	1668	1300
160 mm	23136K	.29	1	2.30	.67	3.50	52	1201	1913	1200
170 mm	23138K	.30	1	2.30	.67	3.40	59	1357	2180	1100
180 mm	23140K	.35	1	2.00	.67	2.90	67	1335	2269	900
200 mm	23144K	.33	1	2.00	.67	3.00	79	1624	2914	800
220 mm	23148K	.33	1	2.10	.67	3.10	92	1846	3269	750
9-7/16 9-1/2 240 mm	23152K	.33	1	2.00	.67	3.00	89	2180	4003	670
10-7/16 10-1/2 260 mm	23156K	.32	1	2.10	.67	3.20	123	2358	4359	630
10-15/16 11 280 mm	23160K	.33	1	2.10	.67	3.10	144	2669	4938	600
11-15/16 12 300 mm	23164K	.34	1	2.00	.67	2.90	169	3203	5961	530
12-7/16 12-1/2 320 mm	23168K	.34	1	2.00	.67	2.90	194	3692	6939	500
13-7/16 13-1/2 340 mm	23172K	.33	1	2.10	.67	3.10	203	3781	7384	480
13-15/16 14 360 mm	23176K	.32	1	2.10	.67	3.20	221	4070	8140	450

If the thrust load exceeds adapter maximum allowable thrust load, auxiliary methods of carrying thrust are required.  
23100K series bearings will be provided with metric housings only.

FEATURES/BENEFITS PAGE B16-4	NOMENCLATURE PAGE B16-6	SELECTION PAGE B16-18	DIMENSIONS PAGE B16-18
---------------------------------	----------------------------	--------------------------	---------------------------



# DIMENSIONS

## ISNX Large-Bore Hydraulic Assist Spherical Roller Bearing Selection

**Table 6: ISNX Large-Bore Hydraulic Assist Spherical Roller Bearings Selection Table**

Shaft Size	Housing Designation	Bearing Series	Max RPM Grease Life	L10 Hours	Allowable Equivalent Radial Load Rating (kN) AT VARIOUS RPM														
					50	100	150	200	250	300	400	500	550	600	650	700	750	950	1300
<b>23100K Series</b>																			
150 mm	3134	23134K	1300	50,000	230	186	165	151	142	134	123	115	112	109	106	104	102	95	86
				80,000	199	162	143	132	123	116	107	200	97	95	92	90	88	82	75
				100,000	186	151	134	123	115	109	100	93	91	88	86	84	83	77	70
160 mm	3136	23136K	1200	50,000	267	217	192	176	165	156	143	134	130	127	124	121	119	110	101
				80,000	232	188	167	153	143	136	124	116	113	110	107	105	103	96	87
				100,000	217	176	156	143	134	127	116	109	106	103	101	98	96	90	82
170 mm	3138	23138K	1100	50,000	302	245	217	199	186	176	162	151	147	143	140	137	134	125	114
				80,000	262	213	188	173	162	153	140	131	128	124	121	119	116	108	99
				100,000	245	199	176	162	151	143	131	123	119	116	114	111	109	101	92
180 mm	3140	23140K	900	50,000	297	241	213	196	183	173	159	149	145	141	137	134	132	123	
				80,000	258	209	185	170	159	151	138	129	126	122	119	117	114	107	
				100,000	241	196	173	159	149	141	129	121	117	114	112	109	107	100	
200 mm	3144	23144K	800	50,000	361	293	260	238	223	211	194	181	176	171	167	164	160		
				80,000	314	255	226	207	194	183	168	157	153	149	145	142	139		
				100,000	293	238	211	194	181	171	157	147	143	139	136	133	130		
220 mm	3148	23148K	750	50,000	411	334	295	271	253	240	220	206	200	195	190	186	182		
				80,000	357	290	256	235	220	208	191	179	174	169	165	162	158		
				100,000	334	271	240	220	206	195	179	167	162	158	154	151	148		
9-7/16 9-1/2 240 mm	3152	23152K	670	50,000	485	394	349	320	299	283	260	243	236	230	225	220	215		
				80,000	421	342	303	278	260	246	226	211	205	200	195	191	187		
				100,000	394	320	283	260	243	230	211	197	192	187	182	178	175		
10-7/16 10-1/2 260 mm	3156	23156K	630	50,000	524	426	377	346	324	306	281	263	255	249	243	238	233		
				80,000	455	370	328	300	281	266	244	228	222	216	211	206	202		
				100,000	426	346	297	281	263	249	228	213	207	202	197	193	189		
10-15/16 11 280 mm	3160	23160K	600	50,000	594	482	427	392	366	347	318	298	289	282	275	269	263		
				80,000	419	419	371	340	318	301	276	258	251	245	239	234	229		
				100,000	482	392	347	318	298	282	258	242	235	229	223	218	205		
11-15/16 12 300 mm	3164	23164K	530	50,000	712	579	512	470	440	416	382	357	347	338	330				
				60,000	619	503	445	408	382	361	332	310	301	294	287				
				100,000	579	470	416	382	268	338	310	390	282	275	268				
12-7/16 12-1/2 320 mm	3168	23168K	500	50,000	821	667	591	542	507	480	440	412	400	301					
				80,000	713	579	513	471	440	417	382	357	347	338					
				100,000	667	542	480	431	412	390	357	334	325	316					
13-7/16 13-1/2 340 mm	3172	23172K	480	50,000	841	683	605	555	519	491	451	421	410	399					
				80,000	730	593	525	482	451	427	391	277	356	347					
				100,000	683	555	491	451	421	310	366	342	333	323					
13-15/16 14 360 mm	3176	23176K	450	50,000	905	735	651	597	559	529	485	454	441						
				80,000	786	639	565	519	485	459	421	394	383						
				100,000	735	597	529	485	454	430	394	368	358						

Plummer Blocks

Sleeve Bearings

SLEEVOIL

Take-Up Frames

Engineering

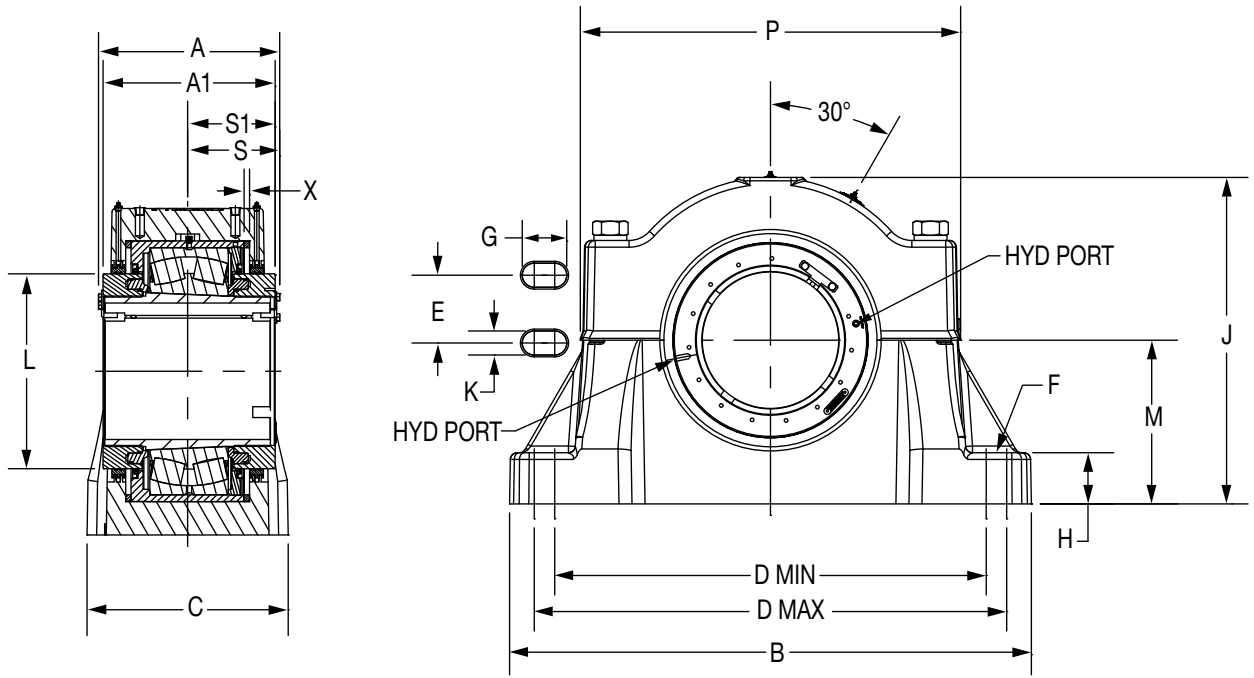
Part Number Index

Keyword Index

FEATURES/BENEFITS PAGE B16-4	NOMENCLATURE PAGE B16-6	SELECTION PAGE B16-18	DIMENSIONS PAGE B16-18
---------------------------------	----------------------------	--------------------------	---------------------------

# DIMENSIONS

## ISNX HYD LARGE BORE SN DIMENSION PLUMMER BLOCKS

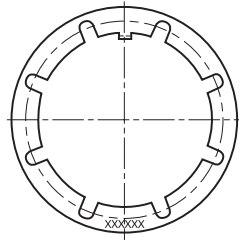


Housing Designation	Bearing Series	Shaft Size	Part Number	Description	Insert Number
3134	23134K	150mm	<b>072919</b>	P4B134-ISNX-150MR HYD	<b>072895</b>
3136	23136K	160mm	<b>072920</b>	P4B136-ISNX-160MR HYD	<b>072896</b>
3138	23138K	170mm	<b>072921</b>	P4B138-ISNX-170MR HYD	<b>072897</b>
3140	23140K	180mm	<b>072922</b>	P4B140-ISNX-180MR HYD	<b>072898</b>
3144	23144K	200mm	<b>072923</b>	P4B144-ISNX-200MR HYD	<b>072899</b>
3148	23148K	220mm	<b>072924</b>	P4B148-ISNX-220MR HYD	<b>072900</b>
3152	23152K	240mm	<b>072912</b>	P4B152-ISNX-240MR HYD	<b>072901</b>
3156	23156K	260mm	<b>072913</b>	P4B156-ISNX-260MR HYD	<b>072902</b>
3160	23160K	280mm	<b>072914</b>	P4B160-ISNX-280MR HYD	<b>072903</b>
3164	23164K	300mm	<b>072915</b>	P4B164-ISNX-300MR HYD	<b>072904</b>
3168	23168K	320mm	<b>072916</b>	P4B168-ISNX-320MR HYD	<b>072905</b>
3172	23172K	340mm	<b>072917</b>	P4B172-ISNX-340MR HYD	<b>072906</b>
3176	23176K	360mm	<b>072918</b>	P4B176-ISNX-360MR HYD	<b>072907</b>

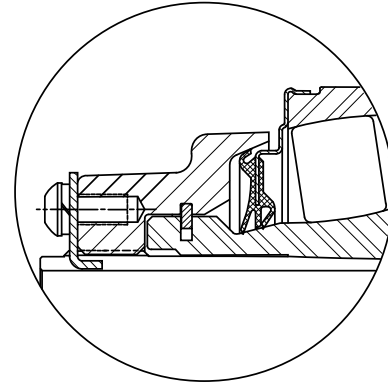
# DIMENSIONS

## ISN LOCKPLATE KITS

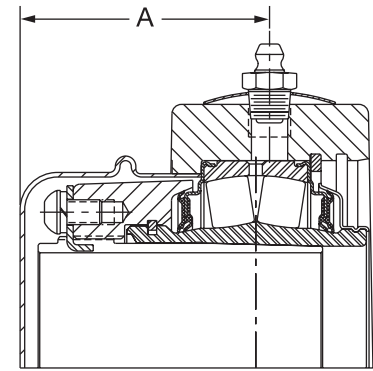
Size	Part No.
30	048925
35	048925
40	048926
45	048927
50	048927
55	048928
60	048929
65	048930
70	048930
75	048930
80	048931
85	048931
90	048932
100	048932
110	048933
115	048934
125	048934
135	---
140	---



**Kit consists of:**  
 1 Lockplate  
 2 Socket head capscrews  
 2 Lockwashers



## ISN END COVER



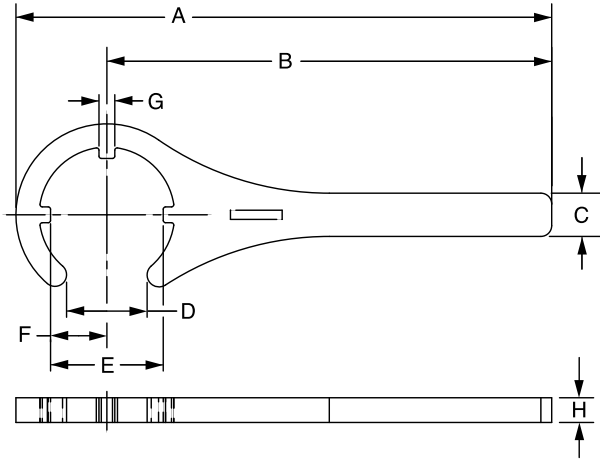
Plummer Block

Housing Series	Bore Size	Front Side Closed Cover		Front Side Open Cover		Back Side Open Cover		A Dimensions in mm
		Part Number	Description	Part Number	Description	Part Number	Description	
507	30	069960	IPEC08	070251	IPECO-08-30mm	070620	IPBECO-08-30mm	49.5
508	35	069960	IPEC08	070252	IPECO-08-35mm	070621	IPBECO-08-35mm	49.5
509	40	069961	IPEC09	070253	IPECO-09-40mm	070622	IPBECO-09-40mm	55.0
510	45	069962	IPEC10	070254	IPECO-10-45mm	070623	IPBECO-10-45mm	58.3
511	50	069962	IPEC10	070255	IPECO-10-50mm	070624	IPBECO-10-50mm	58.3
512	55	069963	IPEC11	070256	IPECO-11-55mm	070625	IPBECO-11-55mm	61.7
513	60	069964	IPEC13	070257	IPECO-13-60mm	070626	IPBECO-13-60mm	66.3
515	65	069965	IPEC15	070258	IPECO-15-65mm	070627	IPBECO-15-65mm	70.0
516	70	069965	IPEC15	070259	IPECO-15-70mm	070628	IPBECO-15-70mm	70.0
517	75	069965	IPEC15	070260	IPECO-15-75mm	070629	IPBECO-15-75mm	70.0
518	80	069966	S2IPEC18	070261	IPECO-18-80mm	070630	IPBECO-18-80mm	78.3
519	85	069966	S2IPEC18	070262	IPECO-18-85mm	070631	IPBECO-18-85mm	78.3
520	90	069967	S2IPEC20	070263	IPECO-20-90mm	070632	IPBECO-20-90mm	91.2
522	100	069967	S2IPEC20	070264	IPECO-20-100mm	070633	IPBECO-20-100mm	91.2
524	110	069968	S2IPEC22	070265	IPECO-22-110mm	070634	IPBECO-22-110mm	97.7
526	115	069969	S2IPEC26	070266	IPECO-29-115mm	070635	IPBECO-29-115mm	111.4
528	125	069969	S2IPEC26	070267	IPECO-26-125mm	070636	IPBECO-26-125mm	111.4
530	135	069983	IPEC28					125.2
532	140	069984	IPEC30					143.2

FEATURES/BENEFITS PAGE B16-3	NOMENCLATURE PAGE B16-6	SELECTION PAGE B16-8	DIMENSIONS PAGE B16-13
---------------------------------	----------------------------	-------------------------	---------------------------

# DIMENSIONS

## IMPERIAL SPANNER

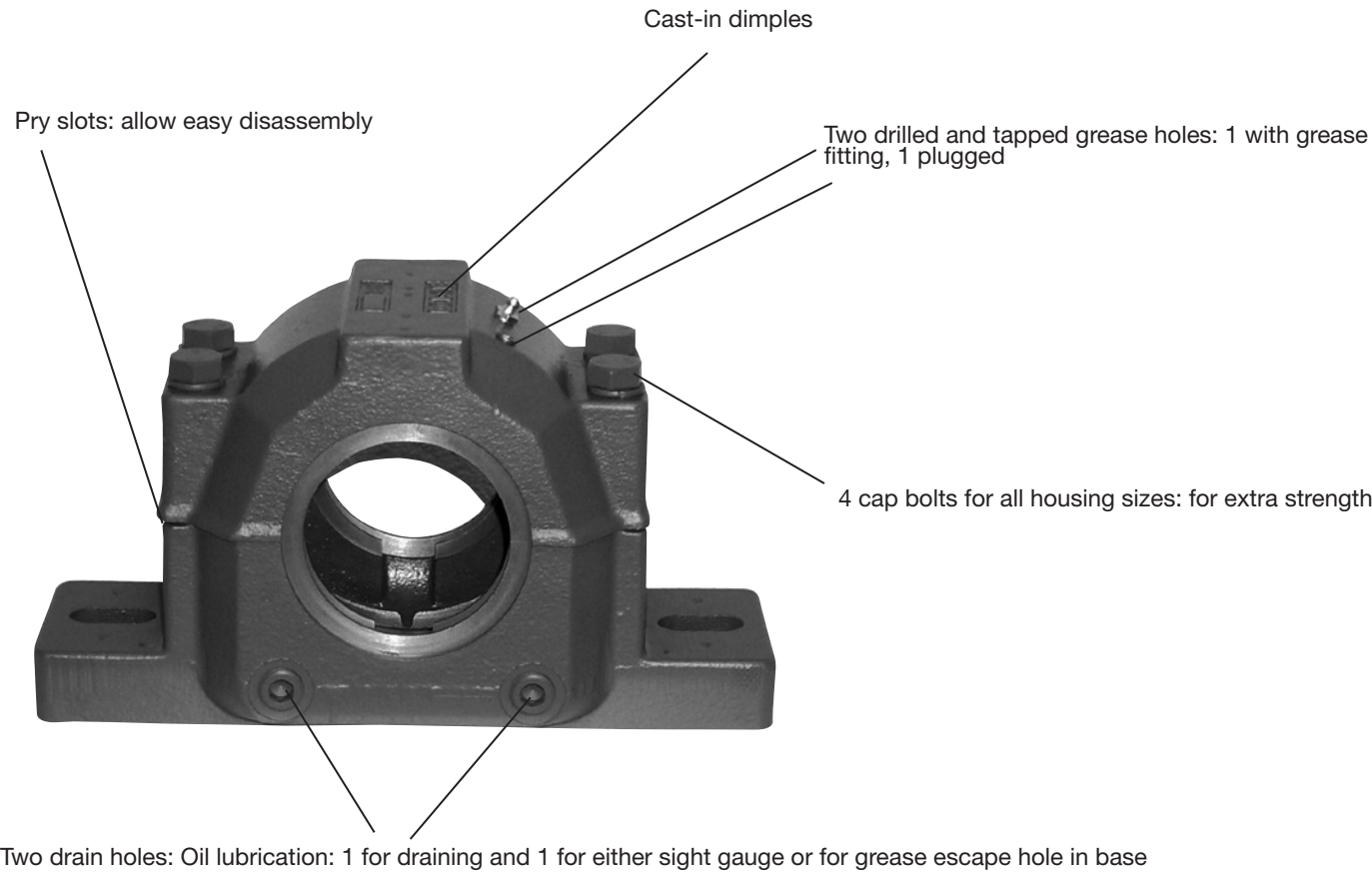


Dimensions mm/inch

Shaft Size		Part No.	A	B	C	D	E	F	G	N	Housing Series
mm	Inch										
30 thru 35	1-1/8 thru 1-1/2	<b>066629</b>	10.84 275.3	9.00 228.6	0.88 22.4	1.63 41.4	2.28 57.9	1.14 29.0	0.32 8.1	0.50 12.7	507 thru 508
40	1-5/8 thru 1-3/4	<b>066630</b>	11.04 280.4	9.00 228.6	0.88 22.4	1.88 47.8	2.48 63.0	1.24 31.5	0.32 8.1	0.50 12.7	509
45 thru 50	1-7/8 thru 2	<b>066631</b>	11.20 284.5	9.00 228.6	0.88 22.4	2.13 54.1	2.73 69.2	1.36 34.5	0.32 8.1	0.50 12.7	510
55	2-1/8	<b>066632</b>	12.38 314.5	10.00 254.0	0.88 22.4	2.38 60.5	2.98 75.7	1.49 37.8	0.44 11.2	0.50 12.7	512
60	2-3/16 thru 2-1/4	<b>066633</b>	12.63 320.8	10.00 254.0	1.31 33.3	2.63 66.8	3.40 86.4	1.70 43.2	0.44 11.2	0.50 12.7	513
60 thru 75	2-7/16 thru 3	<b>066634</b>	16.90 429.3	14.00 355.6	1.31 33.3	3.13 79.5	3.80 96.5	1.90 48.3	0.44 11.2	0.50 12.7	515 thru 517
80 thru 85	3-3/16 thru 3-1/4	<b>066635</b>	17.39 441.7	14.00 355.6	1.31 33.3	3.63 92.2	4.36 110.7	2.18 55.4	0.44 11.2	0.50 12.7	518 thru 519
90 thru 100	3-7/16 thru 4	<b>066636</b>	17.75 450.9	14.00 355.6	1.75 44.5	4.13 104.9	4.91 124.7	2.46 62.5	0.44 11.2	0.50 12.7	520 thru 522
110		<b>066637</b>	20.36 517.1	16.00 406.4	1.75 44.5	4.63 117.6	5.68 144.3	2.84 72.1	0.44 11.2	0.50 12.7	524
115 thru 125	4-7/16 thru 5	<b>066638</b>	25.17 639.3	20.00 508.0	2.00 50.8	5.13 130.3	6.88 174.8	3.44 87.4	0.44 11.2	0.50 12.7	526 thru 528
135	5-7/16 thru 5-1/2	<b>066642</b>	27.82 706.6	22.00 558.8	2.00 50.8	5.63 143.0	8.05 204.5	4.03 102.4	0.69 4.8	0.50 12.7	530
140	5-15/16 thru 6	<b>066643</b>	28.75 730.3	22.00 558.8	2.00 50.8	6.13 155.7	9.13 231.9	4.57 116.1	0.75 19.1	0.50 12.7	536

# FEATURES/BENEFITS

## SNX™ HOUSINGS OF CAST IRON GG25



Stronger feet for extra load capacity

# FEATURES/BENEFITS

Plummer Blocks

Sleeve Bearings

SLEEVOIL

Take-Up Frames

Engineering

Part Number Index

Keyword Index

## SNX



Oil equalization passage: allows oil flow from side to side

Standard SNX housings are suitable for either oil or grease lubrication

Seal options: Felt, V-Ring, LD, TS and TT Seals in the 200 and 500 Series



Oil return slots: prevent leaking



Offset dowels and match mark: allows matching of cap to corresponding base



Extra capacity oil sump: lowers operating temperature



Oil sight gauge & breather kit available

## DODGE® SDX™ and SDXD™ HOUSINGS OF GREY CAST IRON GG25 (SDX) OR SPHEROIDAL DUCTILE IRON GGG40 (SDXD)

SD dimensioned housing with extra capability

- Size Range 3040 to 3068, 3134 to 3164
- Available in cast iron (GG25-SDX) and spheroidal ductile iron (GGG40-SDXD) from stock
- Accepts 23000K & 23100K spherical bearings
- Drilled and tapped grease hole with grease fitting
- TS labyrinth seal standard
- AUX (auxiliary) seal optional – Allows for relubrication of the seal area
- Pre-drilled with grease hole & fitting over seal groove



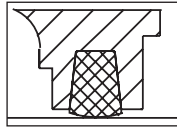


# FEATURES/BENEFITS

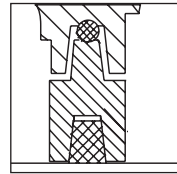
## SNX SEALS

### ONE HOUSING – MANY SEALS

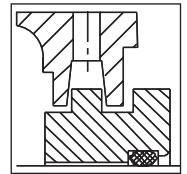
**FS**  
Felt Seal: Standard  
SNX 209 - SNX 232  
SNX 3028 - SNX 3038



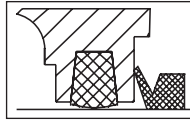
**SK FS**  
Felt strip  
SNX 509 - SNX 532  
SNX 308/608 - SNX 320/620



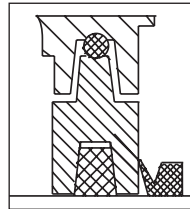
**TS - SNX**  
Labyrinth seal  
SNX 209/509 -  
SNX 232/532



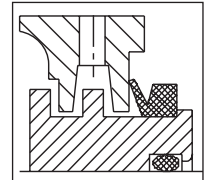
**VR**  
Felt strip with V-ring seal  
SNX 209 - SNX 232  
SNX 3024 - SNX 3038



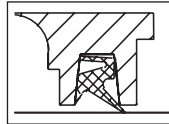
**SK VR**  
Felt strip with V-ring seal  
SNX 509 - SNX 532  
SNX 308/608 - SNX 320/620



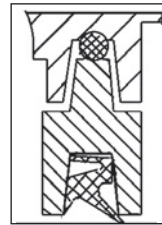
**TT - SNX**  
Triple-Tect  
SNX 209/509 -  
SNX 232/532



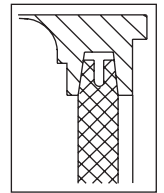
**LD**  
Split two lip radial seal  
SNX 209 - SNX 224  
SNX 3028 - SNX 3032



**SK LD**  
Split two lip radial seal  
SNX 509 - SNX 532  
SNX 608 - SNX 620

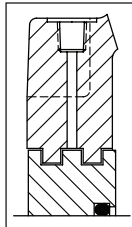


**DK**  
End cover  
SNX 209/509 - SNX 232/532  
SNX 308/608 - SNX 320/620  
SNX 3028 - SNX 3038

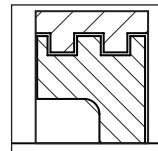


## SDX / SDXD SEALS

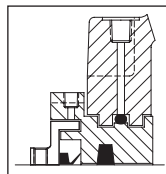
**TS - SDX / SDXD**  
Labyrinth Seal: Standard  
SDX 3040 - SDX 3068  
SDX 3134 - SDX 3164  
SDXD 3040 - SDXD 3068  
SDXD 3134 - SDXD 3164



**EC**  
End Cover  
SDX 3040 - SDX 3068  
SDX 3134 - SDX 3068  
SDXD 3040 - SDXD 3068  
SDXD 3134 - SDXD 3164



**AUX - SDX / SDXD**  
Auxiliary Seal: Optional  
SDX 3040 - SDX 3068  
SDX 3134 - SDX 3164  
SDXD 3040 - SDXD 3068  
SDXD 3134 - SDXD 3164

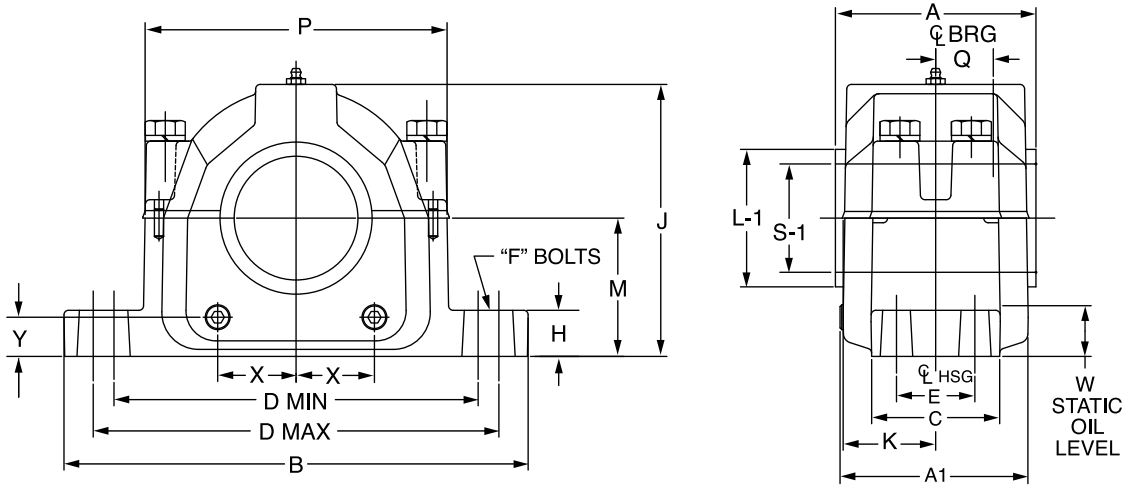


### Seal Operating Limits

	FS	LD	VR & TT	TS	DK
Max. circumferential speeds	4 m/s	8 m/s	4 m/s	brg. RPM limit	-
Max temperature	80-90°C	100-110°C	100-110°C	100-110°C	100-110°C

# DIMENSIONS

## SNX 200 - TS/TT Plummer Blocks for bearings 22200, 23200



Housing GC*		Labyrinth seal		Triple-Tect seal	
Description	Part No.	Description	Part No.	Description	Part No.
SNX 209 - TS/TT	747199	TS 209	747234	TT 209	747217
SNX 210 - TS/TT	747201	TS 210	747235	TT 210	747218
SNX 211 - TS/TT	747202	TS 211	747236	TT 211	747219
SNX 212 - TS/TT	747203	TS 212	747237	TT 212	747220
SNX 213 - TS/TT	747204	TS 213	747238	TT 213	747221
SNX 215 - TS/TT	747205	TS 215	747239	TT 215	747222
SNX 216 - TS/TT	747206	TS 216	747240	TT 216	747223
SNX 217 - TS/TT	747207	TS 217	747241	TT 217	747224
SNX 218 - TS/TT	747208	TS 218	747242	TT 218	747225
SNX 219 - TS/TT	747209	TS 219	747243	TT 219	747226
SNX 220 - TS/TT	747210	TS 220	747244	TT 220	747227
SNX 222 - TS/TT	747211	TS 222	747245	TT 222	747228
SNX 224 - TS/TT	747212	TS 224	747246	TT 224	747229
SNX 226 - TS/TT	747213	TS 226	747247	TT 226	747230
SNX 228 - TS/TT	747214	TS 228	747248	TT 228	747231
SNX 230 - TS/TT	747215	TS 230	747249	TT 230	747232
SNX 232 - TS/TT	747216	TS 232	747250	TT 232	747233

\* Housings are for use with TS or TT seals only



# DIMENSIONS

## SNX 200 - TS/TT

Plummer Blocks for bearings 22200, 23200

Dimensions in mm				
Description	kg	A (WITH SEALS)*		L-1
		TS	TT	
SNX 209 TS/TT	4.3	91	91	59
SNX 210 TS/TT	5.1	95	95	64
SNX 211 TS/TT	7.1	100	100	68
SNX 212 TS/TT	9.5	112	112	75
SNX 213 TS/TT	9.7	110	110	79
SNX 215 TS/TT	11.3	117	117	88
SNX 216 TS/TT	12.7	123	123	93
SNX 217 TS/TT	15.7	125	125	97
SNX 218 TS/TT	16.7	144	144	102
SNX 219 TS/TT	27.0	150	150	113
SNX 220 TS/TT	27.8	160	160	113
SNX 222 TS/TT	35.8	168	168	131
SNX 224 TS/TT	41.1	185	185	131
SNX 226 TS/TT	55.2	191	191	140
SNX 228 TS/TT	69.0	203	203	160
SNX 230 TS/TT	77.3	220	220	400
SNX 232 TS/TT	99.9	235	235	400

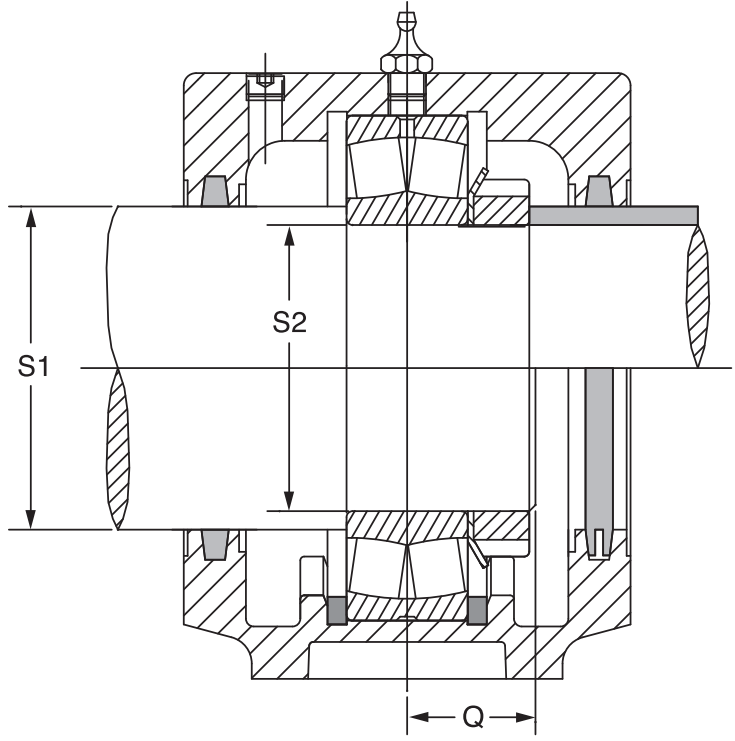
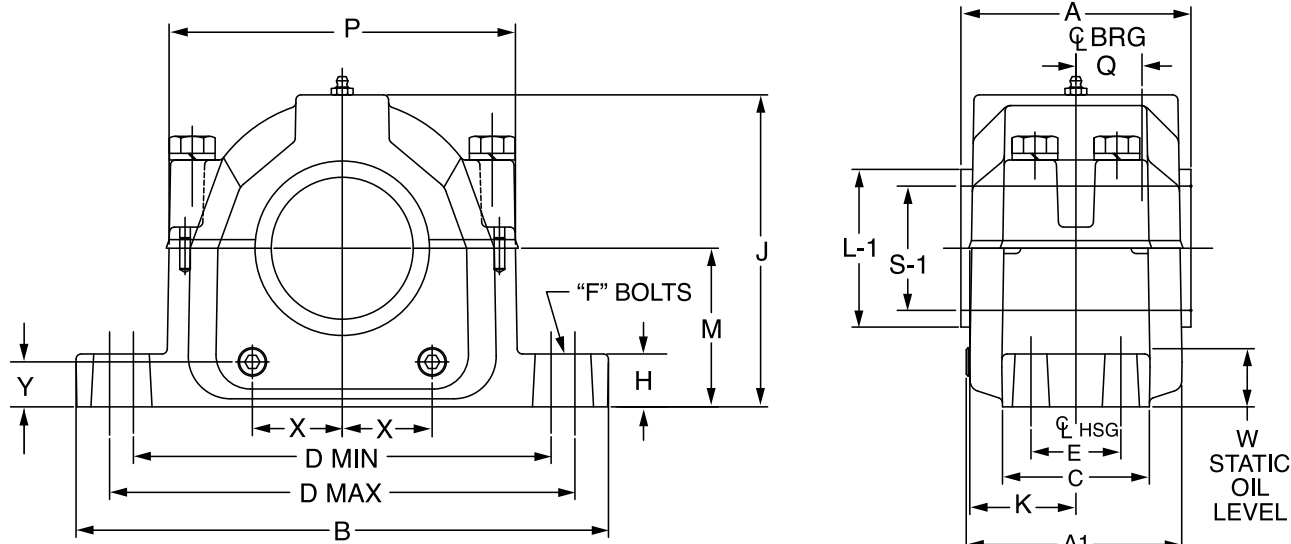
All other dimensions on page B7- 15

Housings are for use with TS or TT seals only

FEATURES/BENEFITS PAGE B16-23	NOMENCLATURE PAGE B16-6	SELECTION PAGE B16-26	DIMENSIONS PAGE B16-26
----------------------------------	----------------------------	--------------------------	---------------------------

# DIMENSIONS

## SNX 200 - LD/FS/DK Plummer Blocks for bearings 22200, 23200



FEATURES/BENEFITS PAGE B16-23	NOMENCLATURE PAGE B16-6	SELECTION PAGE B16-26	DIMENSIONS PAGE B16-26
----------------------------------	----------------------------	--------------------------	---------------------------



# DIMENSIONS

## SNX 200 - LD/FS/DK

Dimensions in mm

Description	kg	Shaft Size		A1	B	C	D		F Bolt Dia Bolzen	H	J	K	M	P	Q	W Static Oil Level	X	Y	A (With Seals)					L-1
		S-1	S-2				Min	Max											LD	Felt FS	End Cover DK	TS	VR	
SNX 209	4.3	55	45	94	210	60	159	178	M12	25	112	45	60	124	11.5	24.0	29	20	91	91	91	99	100	59
SNX 210	5.1	60	50	99	210	60	165	178	M12	23	113	48	60	130	11.5	29.0	31	17	95	95	95	103	105	64
SNX 211	7.1	65	55	104	244	70	187	210	M16	26	133	50	70	147	12.5	28.5	33	22	100	100	100	108	110	68
SNX 212	9.5	70	60	116	270	70	197	230	M16	29	139	56	70	156	14.0	32.0	38	20	112	112	112	119	125	75
SNX 213	9.7	75	65	113	279	80	206	241	M16	30	155	55	80	165	15.5	27.0	41	25	110	110	110	121	123	79
SNX 215	11.3	85	75	121	283	80	219	245	M16	29	161	59	80	179	15.5	38.0	44	21	117	117	117	126	128	88
SNX 216	12.7	90	80	127	320	90	245	279	M20	33	178	62	95	202	16.5	34.5	49	31	123	123	123	134	136	93
SNX 217	15.7	95	85	132	320	90	251	279	M20	32	187	63	95	208	18.0	35.5	53	28	125	125	125	137	139	97
SNX 218	16.7	100	90	151	346	98	260	299	M20	35	195	72	100	220	20.0	47.0	57	28	144	144	144	155	157	102
SNX 219	27.0	110	95	156	360	98	276	314	M20	35	214	75	112	229	21.5	39.5	60	35	150	150	150	161	165	113
SNX 220	27.8	115	100	164	390	110	295	333	M24	40	220	80	112	248	23.0	45.0	67	30	160	160	160	169	174	113
SNX 222	35.8	125	110	174	419	121	324	364	M24	45	239	84	125	269	26.5	53.5	73	34	168	168	168	175	180	131
SNX 224	41.1	135	120	191	419	120	337	368	M24	45	267	93	140	286	29.0	57.0	81	42	185	185	185	195	199	131
SNX 226	55.2	145	130	197	445	130	374	387	M24	50	290	95	150	315	32.0	49.0	84	39	191	191	191	200	204	140
SNX 228	69.0	155	140	210	500	150	400	420	M30	50	298	102	150	337	34.0	51.5	92	35	203	203	203	211	218	160
SNX 230	77.3	165	150	226	530	160	443	457	M30	60	317	110	160	364	36.5	53.0	91	34	220	220	220	230	237	400
SNX 232	99.9	175	160	241	550	160	457	483	M30	60	338	118	170	379	40.0	53.2	102	34	235	235	235	243	250	400

FEATURES/BENEFITS PAGE B16-23	NOMENCLATURE PAGE B16-6	SELECTION PAGE B16-26	DIMENSIONS PAGE B16-26
----------------------------------	----------------------------	--------------------------	---------------------------



# SELECTION

## SNX 200 - LD/FS/DK

Plummer Blocks

Sleeve Bearings

SLEEVOIL

Take-Up Frames

Engineering

Part Number Index

Keyword Index

Description	Housing GG		LD Seal		FS Seal		VR Seal		DK End Cover	
	Description	Part No.	Description	Part No.	Description	Part No.	Description	Part No.	Description	Part No.
SNX 209	SNX 209/509	<b>747025</b>	LD 55	<b>725357</b>	6.5X8X200	<b>713600</b>	VS0055	<b>738145</b>	DK 55	<b>709137</b>
SNX 210	SNX 210/510/308/608	<b>747026</b>	LD 60	<b>725358</b>	6.5X8X230	<b>713616</b>	VS0060	<b>738146</b>	DK 60	<b>709140</b>
SNX 211	SNX 211/511/309/609	<b>747027</b>	LD 65	<b>725359</b>	6.5X8X230	<b>713616</b>	VS0065	<b>738147</b>	DK 65	<b>709143</b>
SNX 212	SNX 212/512/310/610	<b>747028</b>	LD 70	<b>725360</b>	7.5X9X260	<b>713633</b>	VS0070	<b>738148</b>	DK 70	<b>709146</b>
SNX 213	SNX 213/513/311/611	<b>747029</b>	LD 75	<b>725361</b>	7.5X9X260	<b>713633</b>	VS0075	<b>738149</b>	DK 75	<b>709152</b>
SNX 215	SNX 215/515/312/612	<b>747030</b>	LD 85	<b>725363</b>	7.5X9X155	<b>713571</b>	VS0085	<b>738151</b>	DK 85	<b>709162</b>
SNX 216	SNX 216/516/313/613	<b>747031</b>	LD 90	<b>725364</b>	8.5X10X165	<b>713579</b>	VS0090	<b>738152</b>	DK 90	<b>709166</b>
SNX 217	SNX 217/517/314	<b>747032</b>	LD 95	<b>725366</b>	8.5X10X175	<b>713586</b>	VS0095	<b>738154</b>	DK 90	<b>709166</b>
SNX 218	SNX 218/518/315/615	<b>747033</b>	LD 100	<b>725341</b>	10X12X185	<b>713588</b>	VS0100	<b>738155</b>	DK 100	<b>708959</b>
SNX 219	SNX 219/519/316/616	<b>747034</b>	LD 110	<b>725342</b>	10X12X200	<b>713596</b>	VS0110	<b>738157</b>	DK 110	<b>708966</b>
SNX 220	SNX 220/520/317/617	<b>747035</b>	LD 115	<b>725343</b>	10X12X210	<b>713603</b>	VS0115	<b>738158</b>	DK 115	<b>708970</b>
SNX 222	SNX 222/522/319/619	<b>747036</b>	LD 125	<b>725344</b>	10X12X230	<b>713613</b>	VS0125	<b>738161</b>	DK 125	<b>708976</b>
SNX 224	SNX 224/524/320/620	<b>747037</b>	LD 135	<b>725345</b>	10X12X245	<b>713622</b>	VS0135	<b>738162</b>	DK 135	<b>708983</b>
SNX 226	SNX 226/526	<b>747038</b>			10X12X265	<b>713634</b>	VS0145	<b>738164</b>	DK 145	<b>740381</b>
SNX 228	SNX 228/528	<b>747039</b>			10X12X280	<b>713641</b>	VS0155	<b>738166</b>	DK 155	<b>740382</b>
SNX 230	SNX 230/530	<b>747040</b>			10X12X300	<b>713647</b>	VS0165	<b>738168</b>	DK 165	<b>740383</b>
SNX 232	SNX 232/532	<b>747041</b>			10X12X300	<b>713647</b>	VS0175	<b>738170</b>	DK 175	<b>740384</b>

FEATURES/BENEFITS PAGE B16-23	NOMENCLATURE PAGE B16-6	SELECTION PAGE B16-26	DIMENSIONS PAGE B16-26
----------------------------------	----------------------------	--------------------------	---------------------------



# DIMENSIONS

## SNX 200 - LD/FS/DK

Housing GG	Spherical Roller Bearing		Fixing Rings			Spherical Roller Bearing	
Description	Description	Part No.	Description	Qty	Part No.	Description	Part No
SNX 209	22209E1.C3	<b>421260</b>	SR 85x3.5	2	<b>747105</b>		
SNX 210	22210E1.C3	<b>421261</b>	SR 90x9	2	<b>747108</b>		
SNX 211	22211E1.C3	<b>421262</b>	SR 100x9.5	2	<b>747111</b>		
SNX 212	22212E1.C3	<b>421263</b>	SR 110x10	2	<b>747115</b>		
SNX 213	22213E1.C3	<b>421264</b>	SR 120x10	2	<b>747118</b>		
SNX 215	22215E1.C3	<b>421265</b>	SR 130x12.5	2	<b>747121</b>		
SNX 216	22216E1.C3	<b>421266</b>	SR 140x12.5	2	<b>747123</b>		
SNX 217	22217E1.C3	<b>421267</b>	SR 150x12.5	2	<b>747125</b>		
SNX 218	22218E1.C3	<b>421268</b>	SR 160x12.5	2	<b>747128</b>	23218E1.C3	<b>421396</b>
SNX 219	22219E1.C3	<b>422996</b>	SR 170x12.5	2	<b>747130</b>		
SNX 220	22220E1.C3	<b>421269</b>	SR 180x12	2	<b>747132</b>	23220E.C3	<b>703943</b>
SNX 222	22222E1.C3	<b>421270</b>	SR 200x13.5	2	<b>747137</b>	23222.C3	<b>740623</b>
SNX 224	22224E1.C3	<b>421271</b>	SR 215x14	2	<b>747141</b>	23224.C3	<b>703967</b>
SNX 226	22226E1.C3	<b>421272</b>	SR 230x13	2	<b>747143</b>	23226.C3	<b>703976</b>
SNX 228	22228E1.C3	<b>421273</b>	SR 250x15	2	<b>747146</b>	23228.C3	<b>741031</b>
SNX 230	22230E1.C3	<b>421274</b>	SR 270x16.5	2	<b>747149</b>	23230.C3	<b>703990</b>
SNX 232	22232E1.C3	<b>421275</b>	SR 290x17	2	<b>747152</b>	23232.C3	<b>741550</b>

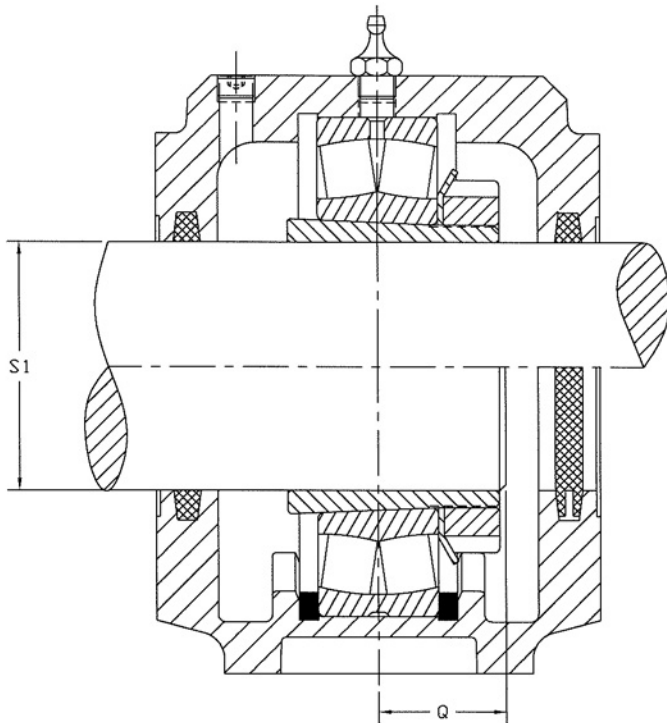
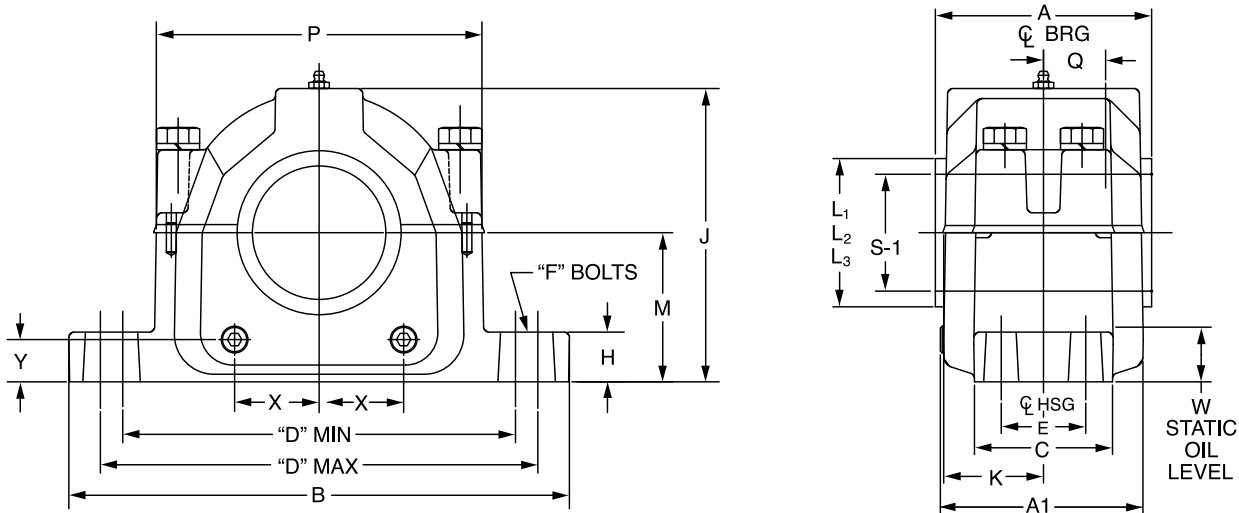
Housing GG	Fixing Rings			Locknut		Lockwasher		Sight Glasses	
Description	Description	Qty	Part No.	Description	Part No	Description	Part No	Description	Part No.
SNX 209				KM 9	<b>046285</b>	MB 9	<b>046304</b>	SG 209	<b>740452</b>
SNX 210				KM 10	<b>046286</b>	MB 10	<b>046305</b>	SG 210	<b>740452</b>
SNX 211				KM 11	<b>046287</b>	MB 11	<b>046306</b>	SG 211	<b>740452</b>
SNX 212				KM 12	<b>046487</b>	MB 12	<b>046489</b>	SG 212	<b>740452</b>
SNX 213				KM 13	<b>046288</b>	MB 13	<b>046307</b>	SG 213	<b>740452</b>
SNX 215				KM 15	<b>046289</b>	MB 15	<b>046308</b>	SG 215	<b>740452</b>
SNX 216				KM 16	<b>046290</b>	MB 16	<b>046309</b>	SG 216	<b>740452</b>
SNX 217				KM 17	<b>046291</b>	MB 17	<b>046310</b>	SG 217	<b>740453</b>
SNX 218	SR 160x6.25	2	<b>747189</b>	KM 18	<b>046292</b>	MB 18	<b>046311</b>	SG 218	<b>740453</b>
SNX 219				KM 19	<b>046488</b>	MB 19	<b>046490</b>	SG 219	<b>740453</b>
SNX 220	SR 180x4.85	2	<b>747190</b>	KM 20	<b>046293</b>	MB 20	<b>046312</b>	SG 220	<b>740453</b>
SNX 222	SR 200x5.1	2	<b>747191</b>	KM 22	<b>046294</b>	MB 22	<b>046313</b>	SG 222	<b>740453</b>
SNX 224	SR 215x5	2	<b>712225</b>	KM 24	<b>046295</b>	MB 24	<b>046314</b>	SG 224	<b>740453</b>
SNX 226	SR 230x5	2	<b>747192</b>	KM 26	<b>046296</b>	MB 26	<b>046315</b>	SG 226	<b>740453</b>
SNX 228	SR 250x5	2	<b>747193</b>	KM 28	<b>046297</b>	MB 28	<b>046316</b>	SG 228	<b>740453</b>
SNX 230	SR 270x5	2	<b>747194</b>	KM 30	<b>046298</b>	MB 30	<b>046317</b>	SG 230	<b>740453</b>
SNX 232	SR 290x5	2	<b>747195</b>	KM 32	<b>046299</b>	MB 32	<b>046318</b>	SG 232	<b>740453</b>

FEATURES/BENEFITS PAGE B16-23	NOMENCLATURE PAGE B16-6	SELECTION PAGE B16-26	DIMENSIONS PAGE B16-26
----------------------------------	----------------------------	--------------------------	---------------------------

# DIMENSIONS

## SNX 500

Plummer Blocks for bearings 1200K, 2200K, 22200K, 23200K







# DIMENSIONS

## SNX 500

Dimensions in mm

Description	Wt. kg	S-1 Shaft Size	A <sub>1</sub>	B	C	D		F Bolt Dia	H	J	K	M	P	Q	W Static Oil Level	X	Y	A (With Seals)						L <sub>1</sub> VR	L <sub>2</sub> TS	L <sub>3</sub> TT
						Min	Max											LD	FELT	VR	TS	TT	EC			
						SNX 509	4.3											40	94	210	60	159	178			
SNX 510	5.1	45	99	210	60	165	178	M12	23	113	48	60	130	24	29.0	31	17	95	95	105	103	111	95	55	63	70
SNX 511	7.1	50	104	244	70	187	210	M16	26	133	50	70	147	25	28.5	33	22	100	100	110	108	116	100	60	68	75
SNX 512	9.5	55	116	270	70	197	230	M16	29	139	56	70	156	27	32.0	38	20	112	112	121	119	127	112	65	75	82
SNX 513	9.7	60	113	279	80	206	241	M16	30	155	55	80	165	30	27.0	41	25	110	110	119	121	125	110	70	81	92
SNX 515	11.3	65	121	283	80	219	245	M16	29	161	59	80	179	31	38.0	44	21	117	117	124	126	130	117	75	86	97
SNX 516	12.7	70	127	320	90	245	279	M20	33	178	62	95	202	34	34.5	49	31	123	123	136	134	143	123	82	94	102
SNX 517	15.7	75	132	320	90	251	279	M20	32	187	63	95	208	36	35.5	53	28	125	125	139	137	145	125	87	100	107
SNX 518	16.7	80	151	346	98	260	299	M20	35	195	72	100	220	38	47.0	57	28	144	144	157	155	163	144	92	105	112
SNX 519	27.0	85	156	360	98	276	314	M20	35	214	75	112	229	41	39.5	60	35	150	150	162	161	169	150	97	110	124
SNX 520	27.8	90	164	390	110	295	333	M24	40	220	80	112	248	43	45.0	67	30	160	160	171	169	177	160	102	127	124
SNX 522	35.8	100	174	419	120	324	364	M24	45	238	84	125	269	48	53.5	73	34	168	168	177	175	183	168	112	139	144
SNX 524	41.1	110	191	419	120	337	368	M24	45	267	93	140	286	51	57.0	81	42	185	185	199	195	202	185	124	149	154
SNX 526	55.2	115	197	445	130	374	387	M24	50	290	95	150	315	55	49.0	84	39	191	191	204	200	211	191	129	158	154
SNX 528	69.0	125	210	500	150	400	420	M30	50	298	102	150	337	58	51.5	92	35	203	203	215	211	222	203	139	160	164
SNX 530	77.3	135	226	530	160	443	457	M30	60	317	110	160	364	63	53.0	91	34	220	220	233	230	239	220	149	180	176
SNX 532	99.9	140	241	550	160	457	483	M30	60	338	118	170	379	68	53.2	102	34	235	235	247	243	253	235	154	188	186

Description	Housing GG		SK LD Seal		SK FS Seal	
	Description	Part No.	Description	Part No.	Description	Part No.
SNX 509	SNX 209/509	<b>747025</b>	SK 509 LD 40	<b>496446</b>	SK 509 FS 40	<b>496464</b>
SNX 510	SNX 210/510/308/608	<b>747026</b>	SK 510 LD 45	<b>496447</b>	SK 510 FS 45	<b>496465</b>
SNX 511	SNX 211/511/309/609	<b>747027</b>	SK 511 LD 50	<b>496448</b>	SK 511 FS 50	<b>496466</b>
SNX 512	SNX 212/512/310/610	<b>747028</b>	SK 512 LD 55	<b>496449</b>	SK 512 FS 55	<b>496467</b>
SNX 513	SNX 213/513/311/611	<b>747029</b>	SK 513 LD 60	<b>496450</b>	SK 513 FS 60	<b>496468</b>
SNX 515	SNX 215/515/312/612	<b>747030</b>	SK 515 LD 65	<b>496451</b>	SK 515 FS 65	<b>496469</b>
SNX 516	SNX 216/516/313/613	<b>747031</b>	SK 516 LD 70	<b>496452</b>	SK 516 FS 70	<b>496470</b>
SNX 517	SNX 217/517/314	<b>747032</b>	SK 517 LD 75	<b>496453</b>	SK 517 FS 75	<b>496471</b>
SNX 518	SNX 218/518/315/615	<b>747033</b>	SK 518 LD 80	<b>496454</b>	SK 518 FS 80	<b>496472</b>
SNX 519	SNX 219/519/316/616	<b>747034</b>	SK 519 LD 85	<b>496455</b>	SK 519 FS 85	<b>496473</b>
SNX 520	SNX 220/520/317/617	<b>747035</b>	SK 520 LD 90	<b>496456</b>	SK 520 FS 90	<b>496474</b>
SNX 522	SNX 222/522/319/619	<b>747036</b>	SK 522 LD 100	<b>496457</b>	SK 522 FS 100	<b>496475</b>
SNX 524	SNX 224/524/320/620	<b>747037</b>	SK 524 LD 110	<b>496458</b>	SK 524 FS 110	<b>496476</b>
SNX 526	SNX 226/526	<b>747038</b>	SK 526 LD 115	<b>496459</b>	SK 526 FS 115	<b>496477</b>
SNX 528	SNX 228/528	<b>747039</b>	SK 528 LD 125	<b>496460</b>	SK 528 FS 125	<b>496478</b>
SNX 530	SNX 230/530	<b>747040</b>	SK 530 LD 135	<b>496461</b>	SK 530 FS 135	<b>496479</b>
SNX 532	SNX 232/532	<b>747041</b>	SK 532 LD 140	<b>496462</b>	SK 532 FS 140	<b>496480</b>

FEATURES/BENEFITS PAGE B16-23	NOMENCLATURE PAGE B16-6	SELECTION PAGE B16-26	DIMENSIONS PAGE B16-26
----------------------------------	----------------------------	--------------------------	---------------------------



# DIMENSIONS

## SNX 500

Description	SK VR Seal		Labyrinth Seal		Triple-Tect Seal		EC End Cover	
	Description	Part No.	Description	Part No.	Description	Part No.	Description	Part No.
SNX 509	SK 509 VR 40	<b>496482</b>	TS 509	<b>747328</b>	TT 509	<b>747384</b>	DK 55	<b>709137</b>
SNX 510	SK 510 VR 45	<b>496483</b>	TS 510	<b>747329</b>	TT 510	<b>747385</b>	DK 60	<b>709140</b>
SNX 511	SK 511 VR 50	<b>496484</b>	TS 511	<b>747330</b>	TT 511	<b>747386</b>	DK 65	<b>709143</b>
SNX 512	SK 512 VR 55	<b>496485</b>	TS 512	<b>747331</b>	TT 512	<b>747387</b>	DK 70	<b>709146</b>
SNX 513	SK 513 VR 60	<b>496486</b>	TS 513	<b>747332</b>	TT 513	<b>747388</b>	DK 75	<b>709152</b>
SNX 515	SK 515 VR 65	<b>496487</b>	TS 515	<b>747333</b>	TT 515	<b>747389</b>	DK 85	<b>709162</b>
SNX 516	SK 516 VR 70	<b>496488</b>	TS 516	<b>747334</b>	TT 516	<b>747390</b>	DK 90	<b>709166</b>
SNX 517	SK 517 VR 75	<b>496489</b>	TS 517	<b>747335</b>	TT 517	<b>747391</b>	DK 90	<b>709166</b>
SNX 518	SK 518 VR 80	<b>496490</b>	TS 518	<b>747336</b>	TT 518	<b>747392</b>	DK 100	<b>708959</b>
SNX 519	SK 519 VR 85	<b>496491</b>	TS 519	<b>747337</b>	TT 519	<b>747393</b>	DK 110	<b>708966</b>
SNX 520	SK 520 VR 90	<b>496492</b>	TS 520	<b>747338</b>	TT 520	<b>747394</b>	DK 115	<b>708970</b>
SNX 522	SK 522 VR 100	<b>496493</b>	TS 522	<b>747339</b>	TT 522	<b>747395</b>	DK 125	<b>708976</b>
SNX 524	SK 524 VR 110	<b>496494</b>	TS 524	<b>747340</b>	TT 524	<b>747396</b>	DK 135	<b>708983</b>
SNX 526	SK 526 VR 115	<b>496495</b>	TS 526	<b>747341</b>	TT 526	<b>747397</b>	DK 145	<b>740381</b>
SNX 528	SK 528 VR 125	<b>496496</b>	TS 528	<b>747342</b>	TT 528	<b>747398</b>	DK 155	<b>740382</b>
SNX 530	SK 530 VR 135	<b>496497</b>	TS 530	<b>747343</b>	TT 530	<b>747399</b>	DK 165	<b>740383</b>
SNX 532	SK 532 VR 140	<b>496498</b>	TS 532	<b>747344</b>	TT 532	<b>747400</b>	DK 175	<b>740384</b>

Description	Spherical Roller Bearing		Fixing Rings			Adapters		Spherical Roller Bearing	
	Description	Part No.	Description	Quantity	Part No.	Description	Part No.	Description	Part No.
SNX 509	22209EK1.C3	<b>422134</b>	SR 85x3.5	2	<b>747105</b>	H 309	<b>046331</b>		
SNX 510	22210EK1.C3	<b>422137</b>	SR 90x9	2	<b>747108</b>	H 310	<b>046332</b>		
SNX 511	22211EK1.C3	<b>422123</b>	SR 100x9.5	2	<b>747111</b>	H 311	<b>046219</b>		
SNX 512	22212EK1.C3	<b>422978</b>	SR 110x10	2	<b>747115</b>	H 312	<b>046333</b>		
SNX 513	22213EK1.C3	<b>422124</b>	SR 120x10	2	<b>747118</b>	H 313	<b>046221</b>		
SNX 515	22215EK1.C3	<b>422001</b>	SR 130x12.5	2	<b>747121</b>	H 315	<b>046222</b>		
SNX 516	22216EK1.C3	<b>422003</b>	SR 140x12.5	2	<b>747123</b>	H 316	<b>046223</b>		
SNX 517	22217EK1.C3	<b>422005</b>	SR 150x12.5	2	<b>747125</b>	H 317	<b>046224</b>		
SNX 518	22218EK1.C3	<b>422007</b>	SR 160x12.5	2	<b>747128</b>	H 318	<b>046225</b>	23218K.C3	<b>739329</b>
SNX 519	22219EK1.C3	<b>422979</b>	SR 170x12.5	2	<b>747130</b>	H 319	<b>719499</b>		
SNX 520	22220EK1.C3	<b>422009</b>	SR 180x12	2	<b>747132</b>	H 320	<b>046226</b>	23220K.C3	<b>703941</b>
SNX 522	22222EK1.C3	<b>422011</b>	SR 200x13.5	2	<b>747137</b>	H 322	<b>046227</b>	23222K.C3	<b>703951</b>
SNX 524	22224EK1.C3	<b>422013</b>	SR 215x14	2	<b>747141</b>	H 3124	<b>046228</b>	23224EASK.M.C3	<b>703967</b>
SNX 526	22226EK1.C3	<b>422015</b>	SR 230x13	2	<b>747143</b>	H 3126	<b>046229</b>	23226K.C3	<b>703971</b>
SNX 528	22228EK1.C3	<b>422017</b>	SR 250x15	2	<b>747146</b>	H 3128	<b>046230</b>	23228K.C3	<b>703982</b>
SNX 530	22230EK1.C3	<b>422019</b>	SR 270x16.5	2	<b>747149</b>	H 3130	<b>046231</b>	23230K.C3	<b>703989</b>
SNX 532	22232EK1.C3	<b>422021</b>	SR 290x17	2	<b>747152</b>	H 3132	<b>046232</b>	23232K.C3	<b>703996</b>

FEATURES/BENEFITS PAGE B16-23	NOMENCLATURE PAGE B16-6	SELECTION PAGE B16-26	DIMENSIONS PAGE B16-26
----------------------------------	----------------------------	--------------------------	---------------------------

# DIMENSIONS

## SNX 500

Description	Fixing Rings			Adapters		Sight Glasses	
	Description	Quantity	Part No.	Description	Part No.	Description	Part No.
SNX 509						SG 509	740452
SNX 510						SG 510	740452
SNX 511						SG 511	740452
SNX 512						SG 512	740452
SNX 513						SG 513	740452
SNX 515						SG 515	740452
SNX 516						SG 516	740452
SNX 517						SG 517	740453
SNX 518	SR 160x6.25	2	747189	H 2318	719400	SG 518	740453
SNX 519				H 2319	046719	SG 519	740453
SNX 520	SR 180x4.85	2	747190	H 2320	046720	SG 520	740453
SNX 522	SR 200x5.1	2	747191	H 2322	046721	SG 522	740453
SNX 524	SR 215x5	2	712225	H 2324	046722	SG 524	740453
SNX 526	SR 230x5	2	747192	H 2326	046723	SG 526	740453
SNX 528	SR 250x5	2	747193	H 2328	719406	SG 528	740453
SNX 530	SR 270x5	2	747194	H 2330	053201	SG 530	740453
SNX 532	SR 290x5	2	747195	H 2332	719408	SG 532	740453

Description	Self-aligning Ball Bearings		Fixing Rings			Adapters	
	Description	Part No.	Description	Quantity	Part No.	Description	Part No.
SNX 509	1209K.C3	052637	SR 85x5.5	2	747177	H 209	719372
SNX 510	1210K.C3	052638	SR 90x10.5	2	747178	H 210	719373
SNX 511	1211K.C3	052639	SR 100x12	2	747179	H 211	719374
SNX 512	1212K.C3	739145	SR 110x13	2	747180	H 212	719375
SNX 513	1213K.C3	052640	SR 120x14	2	747181	H 213	719376
SNX 515	1215K.C3	052641	SR 130x15.5	2	747182	H 215	719378
SNX 516	1216K.C3	052642	SR 140x16	2	747183	H 216	719379
SNX 517	1217K.C3	052643	SR 150x16.5	2	747184	H 217	719380
SNX 518	1218K.C3	052570	SR 160x17.5	2	747185	H 218	719381
SNX 519	1219K.C3	701659	SR 170x18	2	747186	H 219	719382
SNX 520	1220K.C3	052644	SR 180x18	2	747187	H 220	719383
SNX 522	1222K.C3	051841	SR 200x21	2	747188	H 222	719385

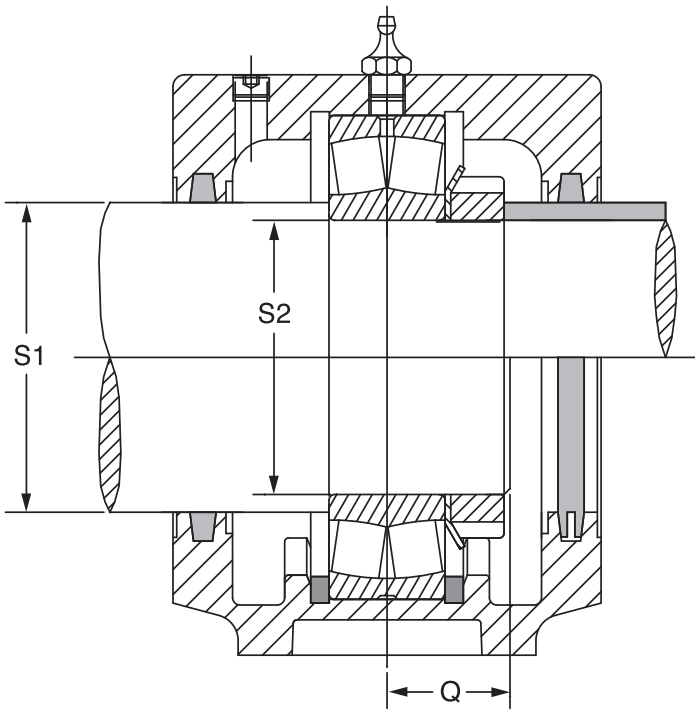
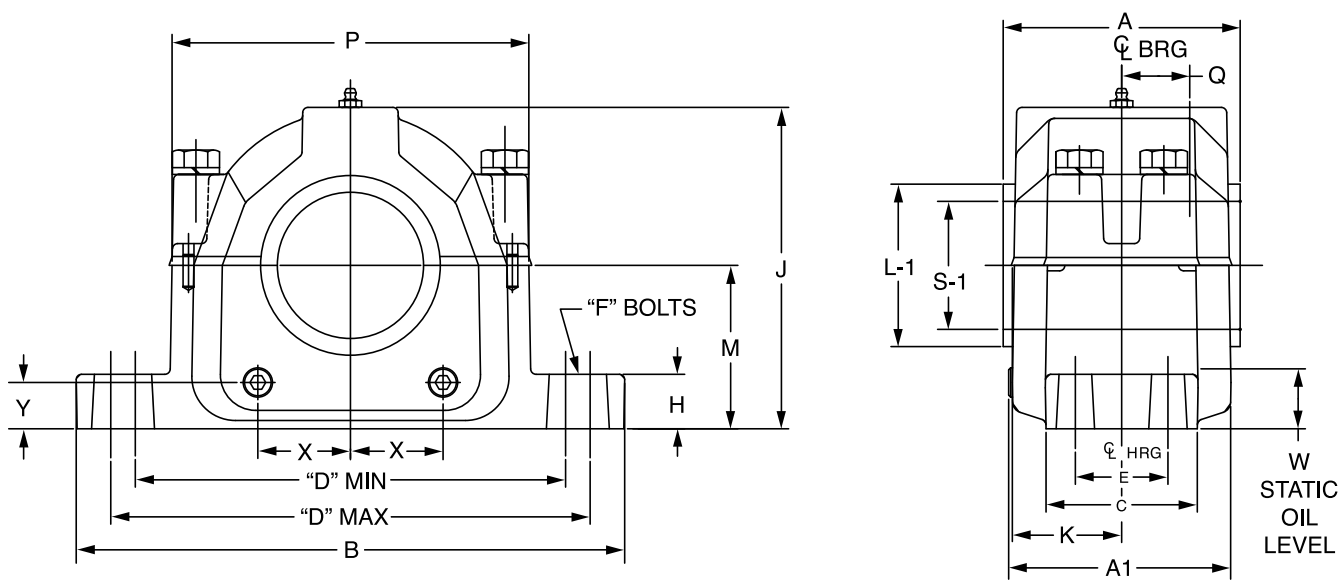
Description	Self-aligning Ball Bearings		Fixing Rings			Adapters	
	Description	Part No.	Description	Quantity	Part No.	Description	Part No.
SNX 509	2209K.C3	739150	SR 85x3.5	2	747105	H 309	046331
SNX 510	2210K.C3	702830	SR 90x9	2	747108	H 310	046332
SNX 511	2211K.C3	702844	SR 100x9.5	2	747111	H 311	046219
SNX 512	2212K.C3	702857	SR 110x10	2	747115	H 312	046333
SNX 513	2213K.C3	702867	SR 120x10	2	747118	H 313	046221
SNX 515	2215K.C3	739153	SR 130x12.5	2	747121	H 315	046222
SNX 516	2216K.C3	702883	SR 140x12.5	2	747123	H 316	046223
SNX 517	2217K.C3	702893	SR 150x12.5	2	747125	H 317	046224
SNX 518	2218K.C3	739154	SR 160x12.5	2	747128	H 318	046225
SNX 519	2219K.M.C3	702904	SR 170x12.5	2	747130	H 319	719499
SNX 520	2220K.M.C3	702907	SR 180x12	2	747132	H 320	046226
SNX 522	2222K.C3	421399	SR 200x13.5	2	747137	H 322	046227

FEATURES/BENEFITS PAGE B16-23	NOMENCLATURE PAGE B16-6	SELECTION PAGE B16-26	DIMENSIONS PAGE B16-26
----------------------------------	----------------------------	--------------------------	---------------------------

# DIMENSIONS

## SNX 300

Plummer Blocks for bearings 22300



FEATURES/BENEFITS PAGE B16-23	NOMENCLATURE PAGE B16-6	SELECTION PAGE B16-26	DIMENSIONS PAGE B16-26
----------------------------------	----------------------------	--------------------------	---------------------------



# DIMENSIONS

## SNX 300

Dimensions in mm

Description	kg	S-1	S-2	A1	B	C	D		F Bolt Dia	H	J	K	M	P	Q ★	W Static Oil Level	X	Y	A (With Seals)		L1
		Shaft Size					Min	Max											Felt FS	End Cover DK	
SNX 308	5.1	50	40	99.1	210	59.5	165.1	177.8	M12	22.6	113	47.6	59.9	130.2	18	26.5	30.5	17	95.3	95.3	64.3
SNX 309	7.1	55	45	103.8	244.4	69.9	187.3	209.6	M16	26.2	133.4	50	69.9	146.8	18	32.5	33	22.1	100.0	100.0	68.1
SNX 310	9.5	60	50	115.8	269.9	69.9	196.9	229.6	M16	29.4	138.9	56	69.9	155.6	20	28.6	38	19.5	112.0	112.0	75.2
SNX 311	9.7	65	55	113.3	279.4	80	206.4	241.3	M16	30.2	154.8	54.8	79.9	165.1	21.5	33.9	41.1	25	109.5	109.5	79.2
SNX 312	11.3	70	60	121.2	282.6	80	219.1	244.5	M16	29.4	161.1	58.7	79.9	179.4	23	30.7	44	20.5	117.4	117.4	88.1
SNX 313	12.7	75	65	126.8	319.9	90	244.5	279.4	M20	32.9	177.6	61.5	94.9	201.6	24	41.7	49	30.5	123.0	123.0	93.2
SNX 314	15.7	80	70	131.6	319.7	90	250.8	279.4	M20	31.8	187.4	62.7	94.9	208	25.5	37.3	52.6	28	125.2	125.2	97.3
SNX 315	16.7	85	75	150.8	346.1	98.4	260.4	298.5	M20	34.9	195.3	72.2	99.9	219.9	27.5	38.8	56.8	27.5	144.4	144.4	102.1
SNX 316	27.0	90	80	156.4	360	98.4	276.2	314.3	M20	35	213.6	75	111.9	229.4	29	46.9	60	35	150.0	150.0	113.3
SNX 317	27.8	95	85	164.1	390	110.3	295.3	333.4	M24	39.7	219.9	80.2	111.9	248.4	30	42.1	66.6	30	160.3	160.3	113.3
SNX 319	35.8	110	95	173.9	419.1	120.7	323.9	364.3	M24	44.9	238.5	83.7	124.9	269.1	33.5	50.1	73	33.8	167.5	167.5	131.3
SNX 320	41.1	115	100	191.3	419.1	119.9	336.6	368.3	M24	45	267	92.5	139.9	285.8	36.5	58.1	81	42.1	184.9	184.9	131.3

Description	Housing GG		SK FS Seal		End Cover		Sight Glasses	
	Description	Part No.	Description	Part No.	Description	Part No.	Description	Part No.
SNX 308	SNX 210/510/308/608	747026	SK 308 FS 50	496400	DK 60	709140	SG 308	740452
SNX 309	SNX 211/511/309/609	747027	SK 309 FS 55	496401	DK 65	709143	SG 309	740452
SNX 310	SNX 212/512/310/610	747028	SK 310 FS 60	496402	DK 70	709146	SG 310	740452
SNX 311	SNX 213/513/311/611	747029	SK 311 FS 65	496403	DK 75	709152	SG 311	740452
SNX 312	SNX 215/515/312/612	747030	SK 312 FS 70	496404	DK 85	709162	SG 312	740452
SNX 313	SNX 216/516/313/613	747031	SK 313 FS 75	496405	DK 90	709166	SG 313	740452
SNX 314	SNX 217/517/314	747032	SK 314 FS 80	496406	DK 90	709166	SG 314	740453
SNX 315	SNX 218/518/315/615	747033	SK 315 FS 85	496407	DK 100	708959	SG 315	740453
SNX 316	SNX 219/519/316/616	747034	SK 316 FS 90	496408	DK 110	708966	SG 316	740453
SNX 317	SNX 220/520/317/617	747035	SK 317 FS 95	496409	DK 115	708970	SG 317	740453
SNX 319	SNX 222/522/319/619	747036	SK 319 FS 110	496410	DK 125	708976	SG 319	740453
SNX 320	SNX 224/524/320/620	747037	SK 320 FS 115	496411	DK 135	708983	SG 320	740453

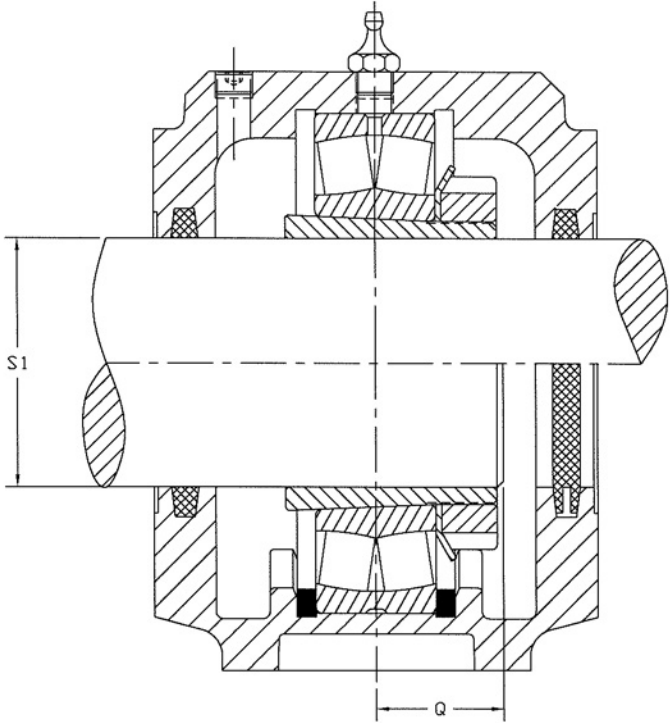
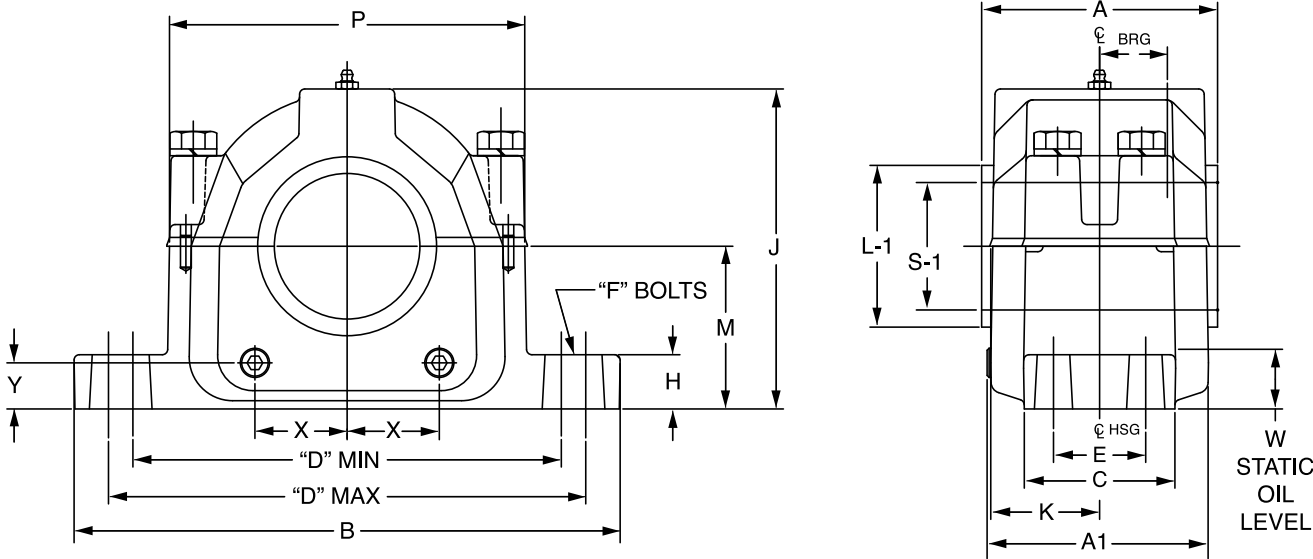
Description	Spherical Roller Bearing		Fixing Rings			Locknut		Lockwasher	
	Description	Part No.	Description	Quantity	Part No.	Description	Part No.	Description	Part No.
SNX 308	22308E1.C3	423124	SR 90X4	2	747107	KM 8	046492	MB 8	046496
SNX 309	22309E1.C3	423125	SR 100X4	2	747110	KM 9	046285	MB 9	046304
SNX 310	22310E1.C3	423143	SR 110X4	2	747114	KM 10	046286	MB 10	046305
SNX 311	22311E1.C3	423126	SR 120X4	2	747117	KM11	046287	MB11	046306
SNX 312	22312E1.C3	423127	SR 130X4	2	747120	KM 12	046487	MB 12	046489
SNX 313	22313E1.C3	423128	SR 140X5	2	747122	KM13	046288	MB13	046307
SNX 314	22314E1.C3	423129	SR 150X5	2	747124	KM 14	046238	MB 14	046239
SNX 315	22315E1.C3	423130	SR 160X5	2	747126	KM 15	046289	MB 15	046308
SNX 316	22316E1.C3	423144	SR 170X5	2	747129	KM 16	046290	MB 16	046309
SNX 317	22317E1.C3	423131	SR 180X5	2	747131	KM 17	046291	MB 17	046310
SNX 319	22319E1.C3	423145	SR 200X6.5	2	747135	KM 19	046488	MB 19	049490
SNX 320	22320E1.C3	423132	SR 215X6.5	2	747139	KM 20	046293	MB 20	046312

FEATURES/BENEFITS PAGE B16-23	NOMENCLATURE PAGE B16-6	SELECTION PAGE B16-26	DIMENSIONS PAGE B16-26
----------------------------------	----------------------------	--------------------------	---------------------------

# DIMENSIONS

## SNX 600

Plummer Blocks for bearings 22300K





# DIMENSIONS

## SNX 600

Dimensions in mm

Description	Kg	S-1 Shaft Size	A1	B	C	D		F Bolt Dia	H	J	K	M	P	Q	W Static Oil Level	X	Y	A (With Seals)			VR	L1 VR
						Min	Max											LD	Felt FS	End Cover		
SNX 608	5.1	35	99	210	60	165	178	M12	23	113	48	60	130	27	26.5	31	17	95	95	95	103	43
SNX 609	7.1	40	104	244	70	187	210	M16	26	133	50	70	147	29	32.5	33	22	100	100	100	110	50
SNX 610	9.5	45	116	270	70	197	230	M16	29	139	56	70	156	32	28.6	38	20	112	112	112	121	55
SNX 611	9.7	50	113	279	80	206	241	M16	30	155	55	80	165	34	33.9	41	25	110	110	110	119	60
SNX 612	11.3	55	121	283	80	219	245	M16	29	161	59	80	179	36	30.7	44	21	117	117	117	124	65
SNX 613	12.7	60	127	320	90	245	279	M20	33	178	62	95	202	35	41.7	49	31	123	123	123	132	70
SNX 615	16.7	65	151	346	98	260	299	M20	35	195	72	100	220	43	38.8	57	28	144	144	144	153	75
SNX 616	27.0	70	156	360	98	276	314	M20	35	214	75	112	229	46	46.9	60	35	150	150	150	162	82
SNX 617	27.8	75	164	390	110	295	333	M24	40	220	80	112	248	48	42.1	67	30	160	160	160	171	87
SNX 619	35.8	85	174	419	120	324	364	M24	45	238	84	125	269	53	50.1	73	34	168	168	168	177	97
SNX 620	41.1	90	191	419	120	337	368	M24	45	267	93	140	286	57	58.1	81	42	185	185	185	196	102

Description	Housing GG		SK LD Seal		SK FS Seal		SK VR Seal		End Cover	
	Description	Part No.	Description	Part No.	Description	Part No.	Description	Part No.	Description	Part No.
SNX 608	SNX 210/510/308/608	<b>747026</b>	SK 608 LD 35	<b>496412</b>	SK 608 FS 35	<b>496423</b>	SK 608 VR 35	<b>496434</b>	DK 60	<b>709140</b>
SNX 609	SNX 211/511/309/609	<b>747027</b>	SK 609 LD 40	<b>496413</b>	SK 609 FS 40	<b>496424</b>	SK 609 VR 40	<b>496435</b>	DK 65	<b>709143</b>
SNX 610	SNX 212/512/310/610	<b>747028</b>	SK 610 LD 45	<b>496414</b>	SK 610 FS 45	<b>496425</b>	SK 610 VR 45	<b>496436</b>	DK 70	<b>709146</b>
SNX 611	SNX 213/513/311/611	<b>747029</b>	SK 611 LD 50	<b>496415</b>	SK 611 FS 50	<b>496426</b>	SK 611 VR 50	<b>496437</b>	DK 75	<b>709152</b>
SNX 612	SNX 215/515/312/612	<b>747030</b>	SK 612 LD 55	<b>496416</b>	SK 612 FS 55	<b>496427</b>	SK 612 VR 55	<b>496438</b>	DK 85	<b>709162</b>
SNX 613	SNX 216/516/313/613	<b>747031</b>	SK 613 LD 60	<b>496417</b>	SK 613 FS 60	<b>496428</b>	SK 613 VR 60	<b>496439</b>	DK 90	<b>709166</b>
SNX 615	SNX 218/518/315/615	<b>747033</b>	SK 615 LD 65	<b>496418</b>	SK 615 FS 65	<b>496429</b>	SK 615 VR 65	<b>496440</b>	DK 100	<b>708959</b>
SNX 616	SNX 219/519/316/616	<b>747034</b>	SK 616 LD 70	<b>496419</b>	SK 616 FS 70	<b>496430</b>	SK 616 VR 70	<b>496441</b>	DK 110	<b>708966</b>
SNX 617	SNX 220/520/317/617	<b>747035</b>	SK 617 LD 75	<b>496420</b>	SK 617 FS 75	<b>496431</b>	SK 617 VR 75	<b>496442</b>	DK 115	<b>708970</b>
SNX 619	SNX 222/522/319/619	<b>747036</b>	SK 619 LD 85	<b>496421</b>	SK 619 FS 85	<b>496432</b>	SK 619 VR 85	<b>496443</b>	DK 125	<b>708976</b>
SNX 620	SNX 224/524/320/620	<b>747037</b>	SK 620 LD 90	<b>496422</b>	SK 620 FS 90	<b>496433</b>	SK 620 VR 90	<b>496444</b>	DK 135	<b>708983</b>

Description	Spherical roller bearing		Fixing rings			Adapters		Sight Glasses	
	Description	Part No.	Description	Quantity	Part No.	Description	Part No.	Description	Part No.
SNX 608	22308E1K.C3	<b>423375</b>	SR 90X4	2	<b>747107</b>	H 2308	<b>046710</b>	SG 608	<b>740452</b>
SNX 609	22309E1K.C3	<b>423100</b>	SR 100X4	2	<b>747110</b>	H 2309	<b>046711</b>	SG 609	<b>740452</b>
SNX 610	22310E1K.C3	<b>423372</b>	SR 110X4	2	<b>747114</b>	H 2310	<b>046712</b>	SG 610	<b>740452</b>
SNX 611	22311E1K.C3	<b>423102</b>	SR 120X4	2	<b>747117</b>	H 2311	<b>046713</b>	SG 611	<b>740452</b>
SNX 612	22312E1K.C3	<b>423376</b>	SR 130X5	2	<b>747120</b>	H 2312	<b>046714</b>	SG 612	<b>740452</b>
SNX 613	22313E1K.C3	<b>423104</b>	SR 140X5	2	<b>747122</b>	H 2313	<b>046715</b>	SG 613	<b>740452</b>
SNX 615	22315E1K.C3	<b>423106</b>	SR 160X5	2	<b>747126</b>	H 2315	<b>719397</b>	SG 615	<b>740453</b>
SNX 616	22316E1K.C3	<b>423373</b>	SR 170X5	2	<b>747129</b>	H 2316	<b>046717</b>	SG 616	<b>740453</b>
SNX 617	22317E1K.C3	<b>423108</b>	SR 180X5	2	<b>747131</b>	H 2317	<b>046718</b>	SG 617	<b>740453</b>
SNX 619	22319E1K.C3	<b>423374</b>	SR 200X6.5	2	<b>747135</b>	H 2319	<b>046719</b>	SG 619	<b>740453</b>
SNX 620	22320E1K.C3	<b>423110</b>	SR 215X6.5	2	<b>747139</b>	H 2320	<b>046720</b>	SG 620	<b>740453</b>

FEATURES/BENEFITS PAGE B16-23	NOMENCLATURE PAGE B16-6	SELECTION PAGE B16-26	DIMENSIONS PAGE B16-26
----------------------------------	----------------------------	--------------------------	---------------------------

# DIMENSIONS

## SNX 30

Plummer Blocks for bearings 23000K

Plummer Blocks

Sleeve Bearings

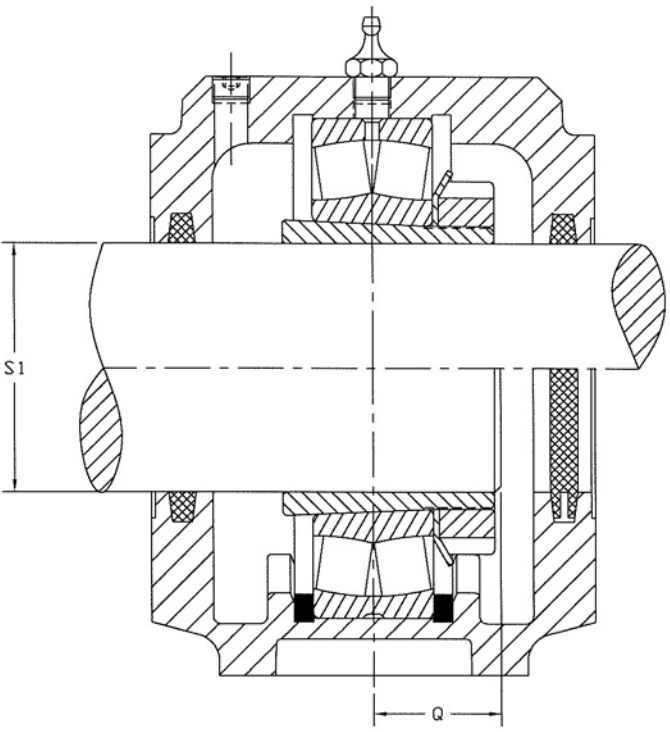
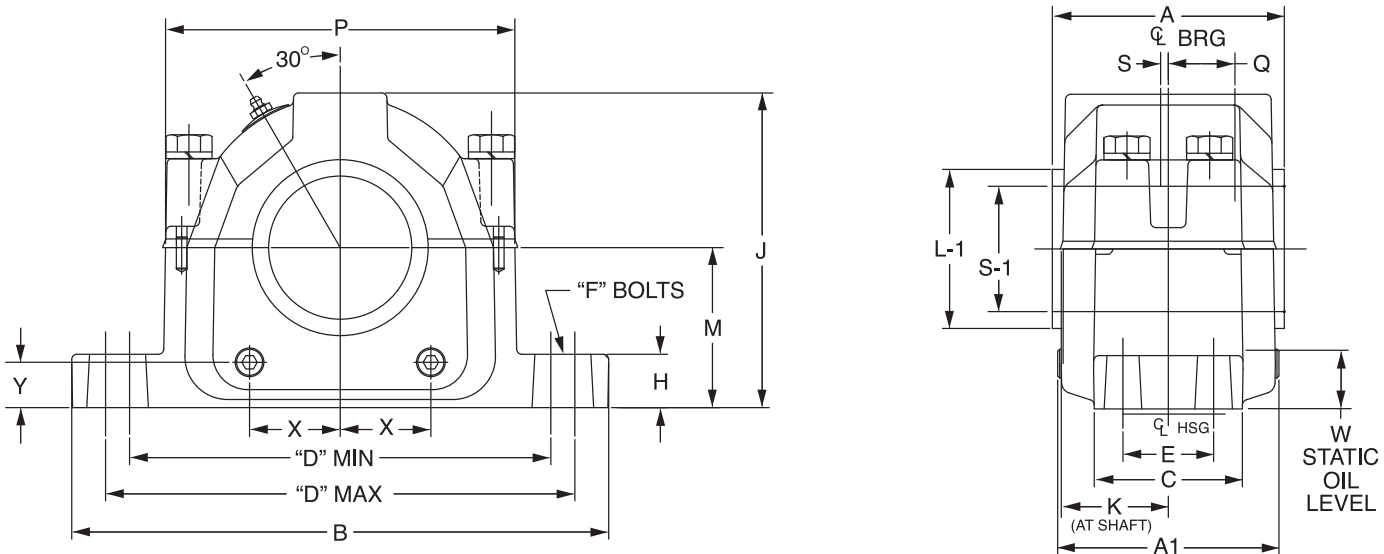
SLEEVOIL

Take-Up Frames

Engineering

Part Number Index

Keyword Index



FEATURES/BENEFITS PAGE B16-23	NOMENCLATURE PAGE B16-6	SELECTION PAGE B16-26	DIMENSIONS PAGE B16-26
----------------------------------	----------------------------	--------------------------	---------------------------





# DIMENSIONS

## SNX 30

Dimensions in mm

Description	kg	S-1 Shaft Welleno	A1	B	C	D		F Bolt Dia	H	J	K	M	P	Q	W Static Oil Level	X	Y	A (With Seals)				L1
						Min	Max											LD	Felt	End Cover	VR	
SNX 3024	81.0	110	167	390	110	295	333	M24	40	220	80	112	248	38.0	37	66.5	30.0	160	160	160	175	113
SNX 3026	105.0	115	174	419	121	324	364	M24	45	239	84	125	269	49.0	42	73.0	33.8	168	168	168	179	118
SNX 3028	121.0	125	191	419	120	337	368	M24	45	267	93	140	286	50.5	52	81.0	42.0	185	185	185	199	139
SNX 3030	161.0	135	197	445	130	374	387	M24	50	290	95	150	315	54.0	56	84.1	39.0	191	191	191	204	149
SNX 3032	161.0	140	197	445	130	374	387	M24	50	290	95	150	315	58.0	54	84.1	39.0	191	191	191	204	154
SNX 3034	162.0	150	226	530	159	426	464	M30	60	317	110	160	364	62.5	50	91.3	33.7	220	220	220	234	164
SNX 3036	235.0	160	241	550	159	457	483	M30	60	338	118	170	379	67.0	52	102.4	34.0	235	235	235	252	176
SNX 3038	235.0	170	241	550	159	457	483	M30	60	338	118	170	379	68.5	48	102.4	34.0	235	235	235	252	186

Housing		LD Seal		FS Seal		VR Seal		End Cover	
Description	Part No.	Description	Part No.	Description	Part No.	Description	Part No.	Description	Part No.
SNX 3024	<b>747042</b>	LD 110	<b>725342</b>	10X12X200	<b>713596</b>	VS0110	<b>738157</b>	DK 110	<b>708966</b>
SNX 3026	<b>747043</b>	LD 115	<b>725343</b>	10X12X210	<b>713603</b>	VS0115	<b>738158</b>	DK 115	<b>708970</b>
SNX 3028	<b>747044</b>	LD 125	<b>725344</b>	10X12X230	<b>713613</b>	VS0125	<b>738160</b>	DK 125	<b>708976</b>
SNX 3030	<b>747045</b>	LD 135	<b>725345</b>	10X12X245	<b>713622</b>	VS0135	<b>738162</b>	DK 135	<b>708983</b>
SNX 3032	<b>747046</b>	LD 140	<b>725346</b>	10X12X265	<b>713634</b>	VS0140	<b>738163</b>	DK 140	<b>708989</b>
SNX 3034	<b>747047</b>			10X12X280	<b>713641</b>	VS0150	<b>738165</b>	DK 165	<b>740383</b>
SNX 3036	<b>747048</b>			10X12X300	<b>713647</b>	VS0160	<b>738167</b>	DK 175	<b>740384</b>
SNX 3038	<b>747049</b>			10X12X300	<b>713647</b>	VS0170	<b>738169</b>		

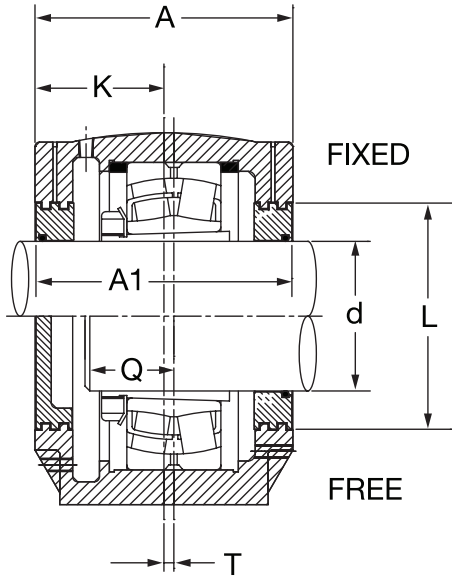
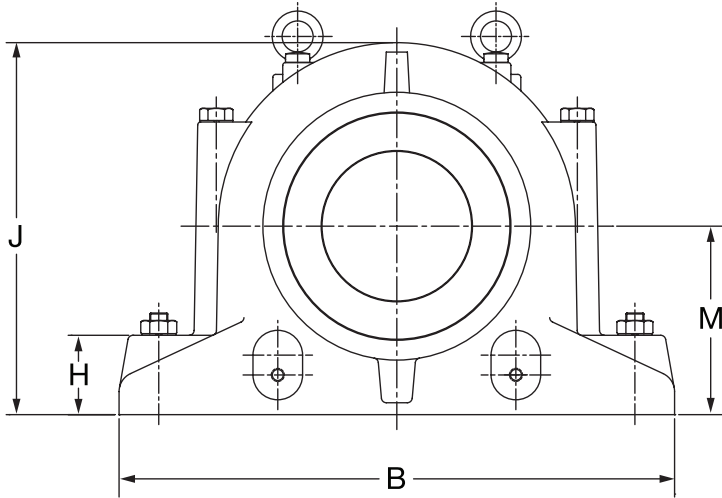
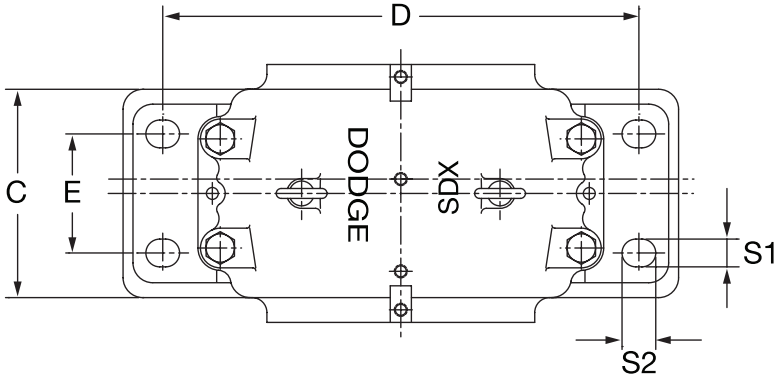
Description	Spherical roller bearing		Fixing rings			Adapters	
	Description	Part No.	Description	Quantity	Part No.	Description	Part No.
SNX 3024	23024EASK.M.C3	<b>703619</b>	SR 180X5	2	<b>747131</b>	H 3024	<b>719419</b>
SNX 3026	23026K.C3	<b>703628</b>	SR 200X10	1	<b>747136</b>	H 3026	<b>719420</b>
SNX 3028	23028EASK.M	<b>703644</b>	SR 210X10	1	<b>747138</b>	H 3028	<b>719421</b>
SNX 3030	23030EASK.M.C3	<b>703656</b>	SR 225X10	1	<b>747142</b>	H 3030	<b>719422</b>
SNX 3032	23032K.C3	<b>703661</b>	SR 240X10	1	<b>747145</b>	H 3032	<b>719423</b>
SNX 3034	23034K.C3	<b>703670</b>	SR 260X10	1	<b>747148</b>	H 3034	<b>719425</b>
SNX 3036	23036K.C3	<b>703679</b>	SR 280X10	1	<b>747150</b>	H 3036	<b>053088</b>
SNX 3038	23038EASK.M.C3	<b>703689</b>	SR 290X10	1	<b>747151</b>	H 3038	<b>719429</b>

FEATURES/BENEFITS PAGE B16-23	NOMENCLATURE PAGE B16-6	SELECTION PAGE B16-26	DIMENSIONS PAGE B16-26
----------------------------------	----------------------------	--------------------------	---------------------------

# DIMENSIONS

## SDX 3000

Plummer Blocks for bearings 23000K



Plummer Blocks

Sleeve Bearings

SLEEVOIL

Take-Up Frames

Engineering

Part Number Index

Keyword Index

FEATURES/BENEFITS PAGE B16-23	NOMENCLATURE PAGE B16-6	SELECTION PAGE B16-42	DIMENSIONS PAGE B16-42
----------------------------------	----------------------------	--------------------------	---------------------------



# DIMENSIONS

## SDX 3000

Dimensions in mm																					
Description	d	A	B	C	H	D	E	J	M	K	S Bolt Size	S1	S2	Q	T	Labyrinth Seal				Hex Bolt	Mass (kg)
																A1		L			
																TS	AUX	TS	AUX		
SDX 3040	180	260	560	210	80	480	120	375	190	130	M24	30	42	83	10	260	332	235	235	M20X150	88
SDX 3044	200	280	610	230	85	510	130	410	210	140	M30	37	51	85	10	280	352	262	262	M24X180	122
SDX 3048	220	290	640	240	90	540	140	435	220	145	M30	37	51	86	12	290	373	282	282	M24X180	136
SDX 3052	240	310	700	260	95	600	150	475	240	155	M30	37	51	97	12	310	393	302	302	M24X200	190
SDX 3056	260	320	770	280	100	650	160	515	260	160	M36	43	60	102	13	320	403	324	324	M30X220	238
SDX 3060	280	320	790	280	105	670	160	550	280	160	M36	43	60	112	16	320	403	342	342	M30X220	252
SDX 3064	300	350	830	310	110	710	190	590	300	175	M36	43	60	116	22	350	433	362	362	M30X240	290
SDX 3068	320	370	880	330	115	750	200	630	320	185	M36	43	62	123.5	23	370	453	387	453	M30X240	340

Description	Housing		Spherical Roller Bearing (SRB)		Adapter	
	Description	Part No.	Description	Part No.	Description	Part No.
SDX 3040	SDX 3040	<b>747800</b>	23040EASK.M.C3	<b>703694</b>	H 3040	<b>719432</b>
SDX 3044	SDX 3044	<b>747801</b>	23044K.MB.C3	<b>703711</b>	H 3044	<b>719434</b>
SDX 3048	SDX 3048	<b>747802</b>	23048K.MB.C3	<b>422031</b>	H 3048	<b>719437</b>
SDX 3052	SDX 3052	<b>747803</b>	23052K.C3	<b>703725</b>	H 3052	<b>719441</b>
SDX 3056	SDX 3056	<b>747804</b>	23056K.M.C3	<b>422030</b>	H 3056	<b>719443</b>
SDX 3060	SDX 3060	<b>747805</b>	23060K.C3	<b>703738</b>	H 3060	<b>719445</b>
SDX 3064	SDX 3064	<b>747806</b>	23064K.C3	<b>703739</b>	H 3064	<b>719446</b>
SDX 3068	SDX 3068	<b>747807</b>	23068K.C3	<b>421282</b>	H 3068	<b>719448</b>

Description	Labyrinth TS Seal		Labyrinth AUX Seal (Optional)		End Cover		Fixing Ring *	
	Description	Part No.	Description	Part No.	Description	Part No.	Description	Qty. Required
SDX 3040	TS-40	<b>747843</b>	AUX-40	<b>747854</b>	EC-40	<b>747865</b>	SR310x10	2
SDX 3044	TS-44	<b>747844</b>	AUX-44	<b>747855</b>	EC-44	<b>747866</b>	SR340x10	2
SDX 3048	TS-48	<b>747845</b>	AUX-48	<b>747856</b>	EC-48	<b>747867</b>	SR360x10	2
SDX 3052	TS-52	<b>747846</b>	AUX-52	<b>747857</b>	EC-52	<b>747868</b>	SR400x10	2
SDX 3056	TS-56	<b>747847</b>	AUX-56	<b>747858</b>	EC-56	<b>747869</b>	SR420x10	2
SDX 3060	TS-60	<b>747848</b>	AUX-60	<b>747859</b>	EC-60	<b>747870</b>	SR460x10	2
SDX 3064	TS-64	<b>747849</b>	AUX-64	<b>747860</b>	EC-64	<b>747871</b>	SR480x10	2
SDX 3068	TS-68	<b>747850</b>	AUX-68	<b>747861</b>	EC-68	<b>747872</b>	SR520x10	2

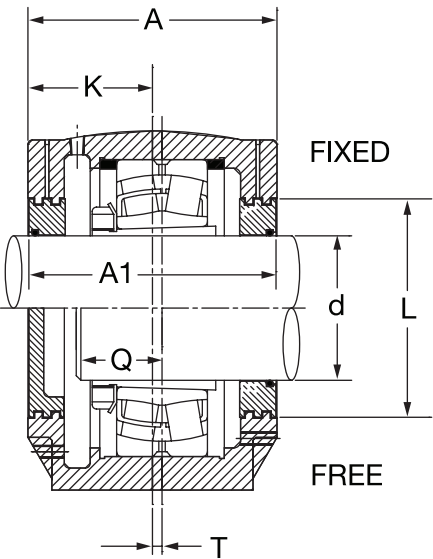
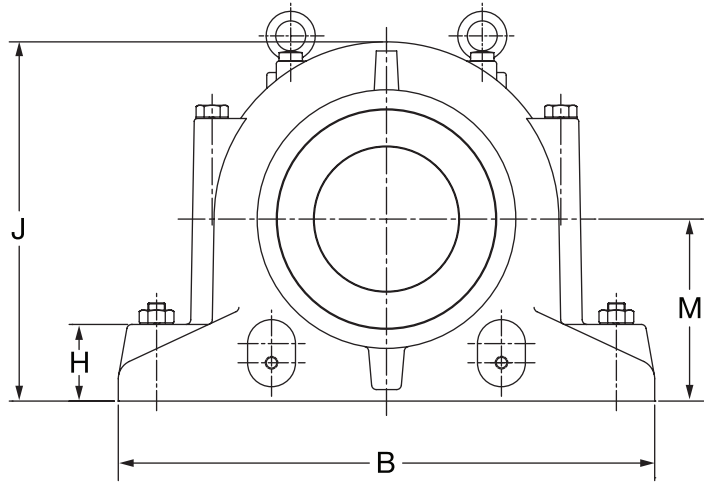
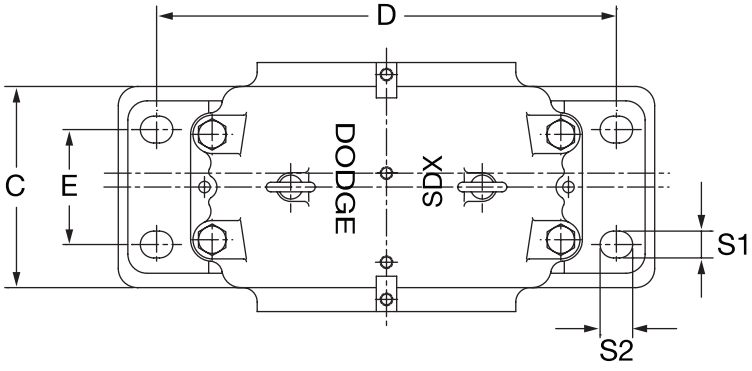
\* NOTE: Fixing Rings included with Housing.

FEATURES/BENEFITS PAGE B16-23	NOMENCLATURE PAGE B16-6	SELECTION PAGE B16-42	DIMENSIONS PAGE B16-42
----------------------------------	----------------------------	--------------------------	---------------------------

# DIMENSIONS

## SDX 3100

Plummer Blocks for bearings 23100K



Plummer Blocks

Sleeve Bearings

SLEEVOIL

Take-Up Frames

Engineering

Part Number Index

Keyword Index

<p>FEATURES/BENEFITS PAGE B16-23</p>	<p>NOMENCLATURE PAGE B16-6</p>	<p>SELECTION PAGE B16-42</p>	<p>DIMENSIONS PAGE B16-42</p>
--	------------------------------------	----------------------------------	-----------------------------------



# DIMENSIONS

## SDX 3100

### Dimensions in mm

Description	d	A	B	C	H	D	E	J	M	K	S Bolt Size	S1	S2	Q	T	Labyrinth Seal				Hex Bolt	Mass (kg)
																A1		L			
																TS	AUX	TS	AUX		
																SDX 3134	150	230	510		
SDX 3136	160	240	530	190	75	450	110	355	180	120	M24	30	42	78	15	240	312	202	202	M20X150	72
SDX 3138	170	260	560	210	80	480	120	375	190	130	M24	30	42	83	10	260	332	228	228	M20X150	88
SDX 3140	180	280	610	230	85	510	130	410	210	140	M30	37	51	88	10	280	352	235	235	M24X180	122
SDX 3144	200	290	640	240	90	540	140	435	220	145	M30	37	51	95	12	290	373	262	262	M24X180	136
SDX 3148	220	310	700	260	95	600	150	475	240	110	M30	37	51	101	12	310	393	282	282	M24X200	190
SDX 3152	240	320	770	280	100	650	160	515	260	120	M36	43	60	111	13	320	403	302	302	M30X220	238
SDX 3156	260	320	790	280	105	670	160	550	280	130	M36	43	60	114	16	320	403	324	324	M30X220	252
SDX 3160	280	350	830	310	110	710	190	590	300	140	M36	43	60	120	22	350	433	342	342	M30X240	290
SDX 3164	300	370	880	330	115	750	200	630	320	150	M36	43	62	130	23	370	453	362	362	M30X240	340

Description	Housing		Spherical Roller Bearing (SRB)		Adapter	
	Description	Part No.	Description	Part No.	Description	Part No.
SDX 3134	SDX 3134	<b>747808</b>	23134K.M.C3	<b>703831</b>	H 3134	<b>046233</b>
SDX 3136	SDX 3136	<b>747809</b>	23136ESKTPB.C3	<b>703840</b>	H 3136	<b>046234</b>
SDX 3138	SDX 3138	<b>747810</b>	23138K.C3	<b>703850</b>	H 3138	<b>046235</b>
SDX 3140	SDX 3140	<b>747811</b>	23140BK.MB.C3	<b>421403</b>	H 3140	<b>046236</b>
SDX 3144	SDX 3144	<b>747812</b>	23144BK.MB.C3	<b>703866</b>	H 3144	<b>046237</b>
SDX 3148	SDX 3148	<b>747813</b>	23148BK.MB.C3	<b>703873</b>	H 3148	<b>719480</b>
SDX 3152	SDX 3152	<b>747814</b>	23152K.MB.C3	<b>703890</b>	H 3152	<b>719485</b>
SDX 3156	SDX 3156	<b>747815</b>	23156BK.MB.C3	<b>703892</b>	H 3156	<b>719489</b>
SDX 3160	SDX 3160	<b>747816</b>	23160K.C3	<b>703903</b>	H 3160	<b>719491</b>
SDX 3164	SDX 3164	<b>747817</b>	23164K.MB.C3	<b>421287</b>	H 3164	<b>719492</b>

Description	Labyrinth TS Seal		Labyrinth AUX Seal (Optional)		End Cover		Fixing Ring *	
	Description	Part No.	Description	Part No.	Description	Part No.	Description	Qty. Required
SDX 3134	TS-34	<b>747840</b>	AUX-34	<b>747851</b>	EC-34	<b>747862</b>	SR280x10	2
SDX 3136	TS-36	<b>747841</b>	AUX-36	<b>747852</b>	EC-36	<b>747863</b>	SR300x10	2
SDX 3138	TS-38	<b>747842</b>	AUX-38	<b>747853</b>	EC-38	<b>747864</b>	SR320x10	2
SDX 3140	TS-40	<b>747843</b>	AUX-40	<b>747854</b>	EC-40	<b>747865</b>	SR340x10	2
SDX 3144	TS-44	<b>747844</b>	AUX-44	<b>747855</b>	EC-44	<b>747866</b>	SR370x10	2
SDX 3148	TS-48	<b>747845</b>	AUX-48	<b>747856</b>	EC-48	<b>747867</b>	SR400x10	2
SDX 3152	TS-52	<b>747846</b>	AUX-52	<b>747857</b>	EC-52	<b>747868</b>	SR440x10	2
SDX 3156	TS-56	<b>747847</b>	AUX-56	<b>747858</b>	EC-56	<b>747689</b>	SR460x10	2
SDX 3160	TS-60	<b>747848</b>	AUX-60	<b>747859</b>	EC-60	<b>747870</b>	SR500x10	2
SDX 3164	TS-64	<b>747849</b>	AUX-64	<b>747860</b>	EC-64	<b>747871</b>	SR540x10	2

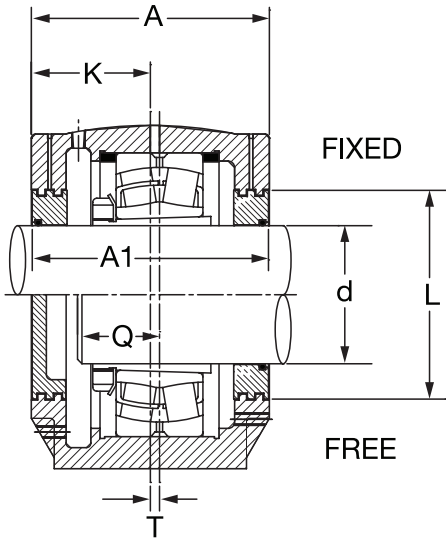
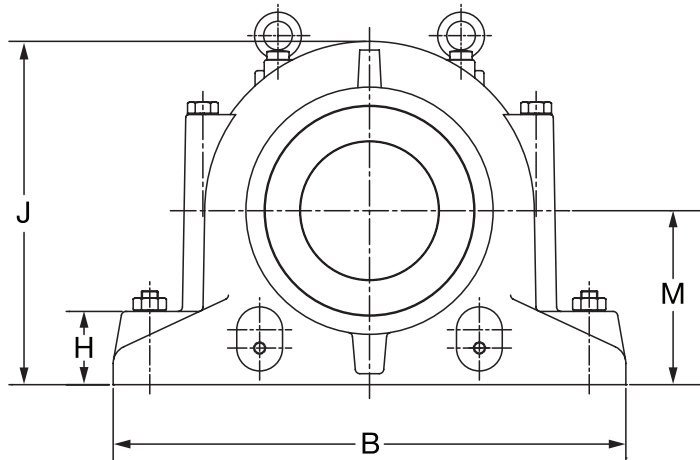
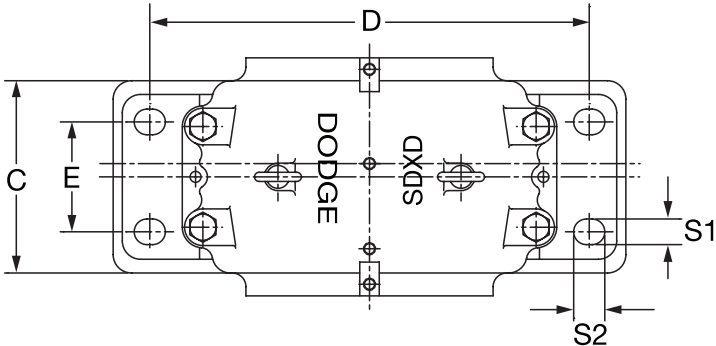
\* NOTE: Fixing Rings included with Housing.

FEATURES/BENEFITS PAGE B16-23	NOMENCLATURE PAGE B16-6	SELECTION PAGE B16-42	DIMENSIONS PAGE B16-42
----------------------------------	----------------------------	--------------------------	---------------------------

# DIMENSIONS

## SDXD 3000

Plummer Blocks for bearings 23000K



Plummer Blocks

Sleeve Bearings

SLEEVOIL

Take-Up Frames

Engineering

Part Number Index

Keyword Index

<p>FEATURES/BENEFITS PAGE B16-23</p>	<p>NOMENCLATURE PAGE B16-6</p>	<p>SELECTION PAGE B16-46</p>	<p>DIMENSIONS PAGE B16-46</p>
--	------------------------------------	----------------------------------	-----------------------------------



# DIMENSIONS

## SDXD 3000

Dimensions in mm

Description	d	A	B	C	H	D	E	J	M	K	S Bolt Size	S1	S2	Q	T	Labyrinth Seal				Hex Bolt	Mass (kg)
																A1		L			
																TS	AUX	TS	AUX		
																SDXD 3040	180	260	560		
SDXD 3044	200	280	610	230	85	510	130	410	210	140	M30	37	51	85	10	280	352	262	262	M24X180	122
SDXD 3048	220	290	640	240	90	540	140	435	220	145	M30	37	51	86	12	290	373	282	282	M24X180	136
SDXD 3052	240	310	700	260	95	600	150	475	240	155	M30	37	51	97	12	310	393	302	302	M24X200	190
SDXD 3056	260	320	770	280	100	650	160	515	260	160	M36	43	60	102	13	320	403	324	324	M30X220	238
SDXD 3060	280	320	790	280	105	670	160	550	280	160	M36	43	60	112	16	320	403	342	342	M30X220	252
SDXD 3064	300	350	830	310	110	710	190	590	300	175	M36	43	60	116	22	350	433	362	362	M30X240	290
SDXD 3068	320	370	880	330	115	750	200	630	320	185	M36	43	62	123.5	23	370	453	387	453	M30X240	340

Description	Housing		Spherical Roller Bearing (SRB)		Adapter	
	Description	Part No.	Description	Part No.	Description	Part No.
SDXD 3040	SDXD 3040	<b>747818</b>	23040EASK.M.C3	<b>703694</b>	H 3040	<b>719432</b>
SDXD 3044	SDXD 3044	<b>747819</b>	23044K.MB.C3	<b>703711</b>	H 3044	<b>719434</b>
SDXD 3048	SDXD 3048	<b>747820</b>	23048K.MB.C3	<b>422031</b>	H 3048	<b>719437</b>
SDXD 3052	SDXD 3052	<b>747821</b>	23052K.C3	<b>703725</b>	H 3052	<b>719441</b>
SDXD 3056	SDXD 3056	<b>747822</b>	23056K.M.C3	<b>422030</b>	H 3056	<b>719443</b>
SDXD 3060	SDXD 3060	<b>747823</b>	23060K.C3	<b>703738</b>	H 3060	<b>719445</b>
SDXD 3064	SDXD 3064	<b>747824</b>	23064K.C3	<b>703739</b>	H 3064	<b>719446</b>
SDXD 3068	SDXD 3068	<b>747825</b>	23068K.C3	<b>421282</b>	H 3068	<b>719448</b>

Description	Labyrinth TS Seal		Labyrinth AUX Seal (Optional)		End Cover		Fixing Ring *	
	Description	Part No.	Description	Part No.	Description	Part No.	Description	Qty. Required
SDXD 3040	TS-40	<b>747843</b>	AUX-40	<b>747854</b>	EC-40	<b>747865</b>	SR310x10	2
SDXD 3044	TS-44	<b>747844</b>	AUX-44	<b>747855</b>	EC-44	<b>747866</b>	SR340x10	2
SDXD 3048	TS-48	<b>747845</b>	AUX-48	<b>747856</b>	EC-48	<b>747867</b>	SR360x10	2
SDXD 3052	TS-52	<b>747846</b>	AUX-52	<b>747857</b>	EC-52	<b>747868</b>	SR400x10	2
SDXD 3056	TS-56	<b>747847</b>	AUX-56	<b>747858</b>	EC-56	<b>747869</b>	SR420x10	2
SDXD 3060	TS-60	<b>747848</b>	AUX-60	<b>747859</b>	EC-60	<b>747870</b>	SR460x10	2
SDXD 3064	TS-64	<b>747849</b>	AUX-64	<b>747860</b>	EC-64	<b>747871</b>	SR480x10	2
SDXD 3068	TS-68	<b>747850</b>	AUX-68	<b>747861</b>	EC-68	<b>747872</b>	SR520x10	2

\* NOTE: Fixing Rings included with Housing.

FEATURES/BENEFITS PAGE B16-23	NOMENCLATURE PAGE B16-6	SELECTION PAGE B16-46	DIMENSIONS PAGE B16-46
----------------------------------	----------------------------	--------------------------	---------------------------

# DIMENSIONS

## SDXD 3100

Plummer Blocks for bearings 23100K

Plummer Blocks

Sleeve Bearings

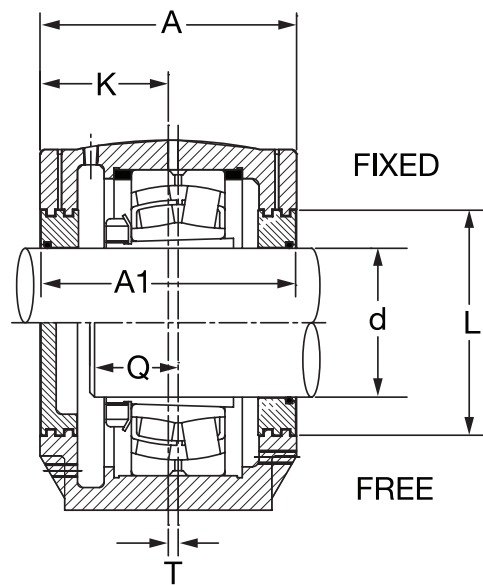
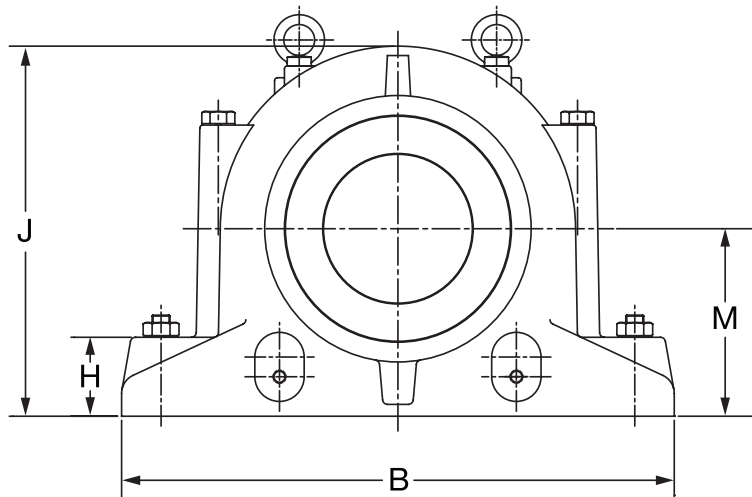
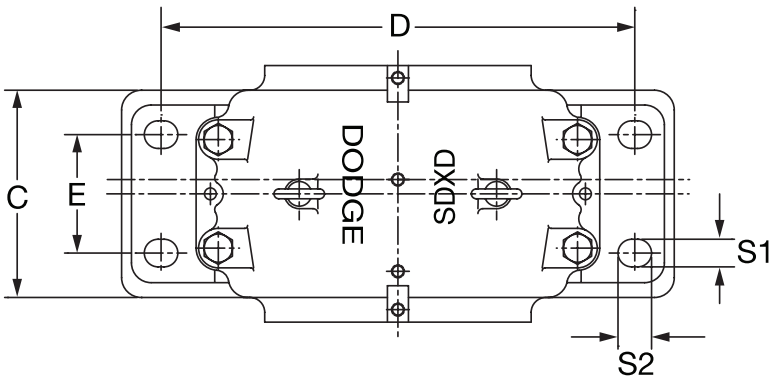
SLEEVOIL

Take-Up Frames

Engineering

Part Number Index

Keyword Index



<p>FEATURES/BENEFITS PAGE B16-23</p>	<p>NOMENCLATURE PAGE B16-6</p>	<p>SELECTION PAGE B16-46</p>	<p>DIMENSIONS PAGE B16-46</p>
--	------------------------------------	----------------------------------	-----------------------------------





# DIMENSIONS

## SDXD 3100

### Dimensions in mm

Description	d	A	B	C	H	D	E	J	M	K	S Bolt Size	S1	S2	Q	T	Labyrinth Seal				Hex Bolt	Mass (kg)
																A1		L			
																TS	AUX	TS	AUX		
SDXD 3134	150	230	510	180	70	430	100	335	170	115	M24	30	42	83	14	230	302	195	195	M20X150	70
SDXD 3136	160	240	530	190	75	450	110	355	180	120	M24	30	42	78	15	240	312	202	202	M20X150	72
SDXD 3138	170	260	560	210	80	480	120	375	190	130	M24	30	42	83	10	260	332	228	228	M20X150	88
SDXD 3140	180	280	610	230	85	510	130	410	210	140	M30	37	51	88	10	280	352	235	235	M24X180	122
SDXD 3144	200	290	640	240	90	540	140	435	220	145	M30	37	51	95	12	290	373	262	262	M24X180	136
SDXD 3148	220	310	700	260	95	600	150	475	240	110	M30	37	51	101	12	310	393	282	282	M24X200	190
SDXD 3152	240	320	770	280	100	650	160	515	260	120	M36	43	60	111	13	320	403	302	302	M30X220	238
SDXD 3156	260	320	790	280	105	670	160	550	280	130	M36	43	60	114	16	320	403	324	324	M30X220	252
SDXD 3160	280	350	830	310	110	710	190	590	300	140	M36	43	60	120	22	350	433	342	342	M30X240	290
SDXD 3164	300	370	880	330	115	750	200	630	320	150	M36	43	62	130	23	370	453	362	362	M30X240	340

Description	Housing		Spherical Roller Bearing (SRB)		Adapter	
	Description	Part No.	Description	Part No.	Description	Part No.
SDXD 3134	SDXD 3134	<b>747826</b>	23134K.M.C3	<b>703831</b>	H 3134	<b>046233</b>
SDXD 3136	SDXD 3136	<b>747827</b>	23136ESKTVPB.C3	<b>703840</b>	H 3136	<b>046234</b>
SDXD 3138	SDXD 3138	<b>747828</b>	23138K.C3	<b>703850</b>	H 3138	<b>046235</b>
SDXD 3140	SDXD 3140	<b>747829</b>	23140BK.MB.C3	<b>421403</b>	H 3140	<b>046236</b>
SDXD 3144	SDXD 3144	<b>747830</b>	23144BK.MB.C3	<b>703866</b>	H 3144	<b>046237</b>
SDXD 3148	SDXD 3148	<b>747831</b>	23148BK.MB.C3	<b>703873</b>	H 3148	<b>719480</b>
SDXD 3152	SDXD 3152	<b>747832</b>	23152K.MB.C3	<b>703890</b>	H 3152	<b>719485</b>
SDXD 3156	SDXD 3156	<b>747833</b>	23156BK.MB.C3	<b>703892</b>	H 3156	<b>719489</b>
SDXD 3160	SDXD 3160	<b>747834</b>	23160K.C3	<b>703903</b>	H 3160	<b>719491</b>
SDXD 3164	SDXD 3164	<b>747835</b>	23164K.MB.C3	<b>421287</b>	H 3164	<b>719492</b>

Description	Labyrinth TS Seal		Labyrinth AUX Seal (Optional)		End Cover		Fixing Ring *	
	Description	Part No.	Description	Part No.	Description	Part No.	Description	Qty. Required
SDXD 3134	TS-34	<b>747840</b>	AUX-34	<b>747851</b>	EC-34	<b>747862</b>	SR280x10	2
SDXD 3136	TS-36	<b>747841</b>	AUX-36	<b>747852</b>	EC-36	<b>747863</b>	SR300x10	2
SDXD 3138	TS-38	<b>747842</b>	AUX-38	<b>747853</b>	EC-38	<b>747864</b>	SR320x10	2
SDXD 3140	TS-40	<b>747843</b>	AUX-40	<b>747854</b>	EC-40	<b>747865</b>	SR340x10	2
SDXD 3144	TS-44	<b>747844</b>	AUX-44	<b>747855</b>	EC-44	<b>747866</b>	SR370x10	2
SDXD 3148	TS-48	<b>747845</b>	AUX-48	<b>747856</b>	EC-48	<b>747867</b>	SR400x10	2
SDXD 3152	TS-52	<b>747846</b>	AUX-52	<b>747857</b>	EC-52	<b>747868</b>	SR440x10	2
SDXD 3156	TS-56	<b>747847</b>	AUX-56	<b>747858</b>	EC-56	<b>747689</b>	SR460x10	2
SDXD 3160	TS-60	<b>747848</b>	AUX-60	<b>747859</b>	EC-60	<b>747870</b>	SR500x10	2
SDXD 3164	TS-64	<b>747849</b>	AUX-64	<b>747860</b>	EC-64	<b>747871</b>	SR540x10	2

\* NOTE: Fixing Rings included with Housing.

FEATURES/BENEFITS PAGE B16-23	NOMENCLATURE PAGE B16-6	SELECTION PAGE B16-46	DIMENSIONS PAGE B16-46
----------------------------------	----------------------------	--------------------------	---------------------------

# NOTES

---

Plummer Blocks

Sleeve Bearings

SLEEVOIL

Take-Up Frames

Engineering

Part Number Index

Keyword Index