



IMPERIAL - IP, ISAF and ISN

Features And Benefits

IMPERIAL.....	B14-2
IMPERIAL-IP	B14-4
IMPERIAL-HD	B14-6
ISAF, ISAF HYD	B14-10
ISN, ISNX HYD.....	B14-12

Specification

IMPERIAL.....	B14-5
IMPERIAL-HD	B14-7

How To Order / Nomenclature

IMPERIAL.....	B14-8
ISAF, ISAF HYD	B14-11
ISN, ISNX HYD.....	B14-13

Selection

IMPERIAL-IP, ISAF, HD, ISN, ISNX.....	B14-14
IMPERIAL-IP and SAF Roller Bearing	B14-17

Dimensions

IMPERIAL - IP Pillow Block, 2 Bolt	B14-30
Steel IMPERIAL - HD Pillow Block, 2 Bolt	B14-38
IMPERIAL - IP Pillow Block, 4 Bolt	B14-42
Steel IMPERIAL - HD Pillow Block, 4 Bolt	B14-48
IMPERIAL ISAF, 2 Bolt	B14-52
IMPERIAL ISAF, 4 Bolt	B14-54
ISAF Pillow Block Hydraulic.....	B14-60
IMPERIAL - ISN Metric Pillow Block, 2 Bolt	B14-62
ISNX Hydraulic.....	B14-64
IMPERIAL - IP Flange - Round	B14-66
IMPERIAL - IP Flange - Square	B14-70
Steel IMPERIAL-HD Flange, 4 Bolt	B14-78
IMPERIAL - IP Piloted Flange	B14-82
Steel IMPERIAL - HD Piloted Flange	B14-90
Steel IMPERIAL- HD Narrow Piloted Flange	B14-94
IMPERIAL - IP Wide Slot Take-Up.....	B14-96
IMPERIAL Bearing Insert	B14-100
IMPERIAL ISAF - How to Order ISAF Smart Stock Selections	B14-103
IMPERIAL Spanner Wrench.....	B14-104
IMPERIAL Lockplate Kit.....	B14-105
End Covers	B14-106

Part Number Index	INDEX-1
-------------------------	---------

Keyword Index	KEYWORD-1
---------------------	-----------



FEATURES/BENEFITS

Bearing Reference Guide

E-Family Roller Bearings

Specialty Tapered Products

S-2000

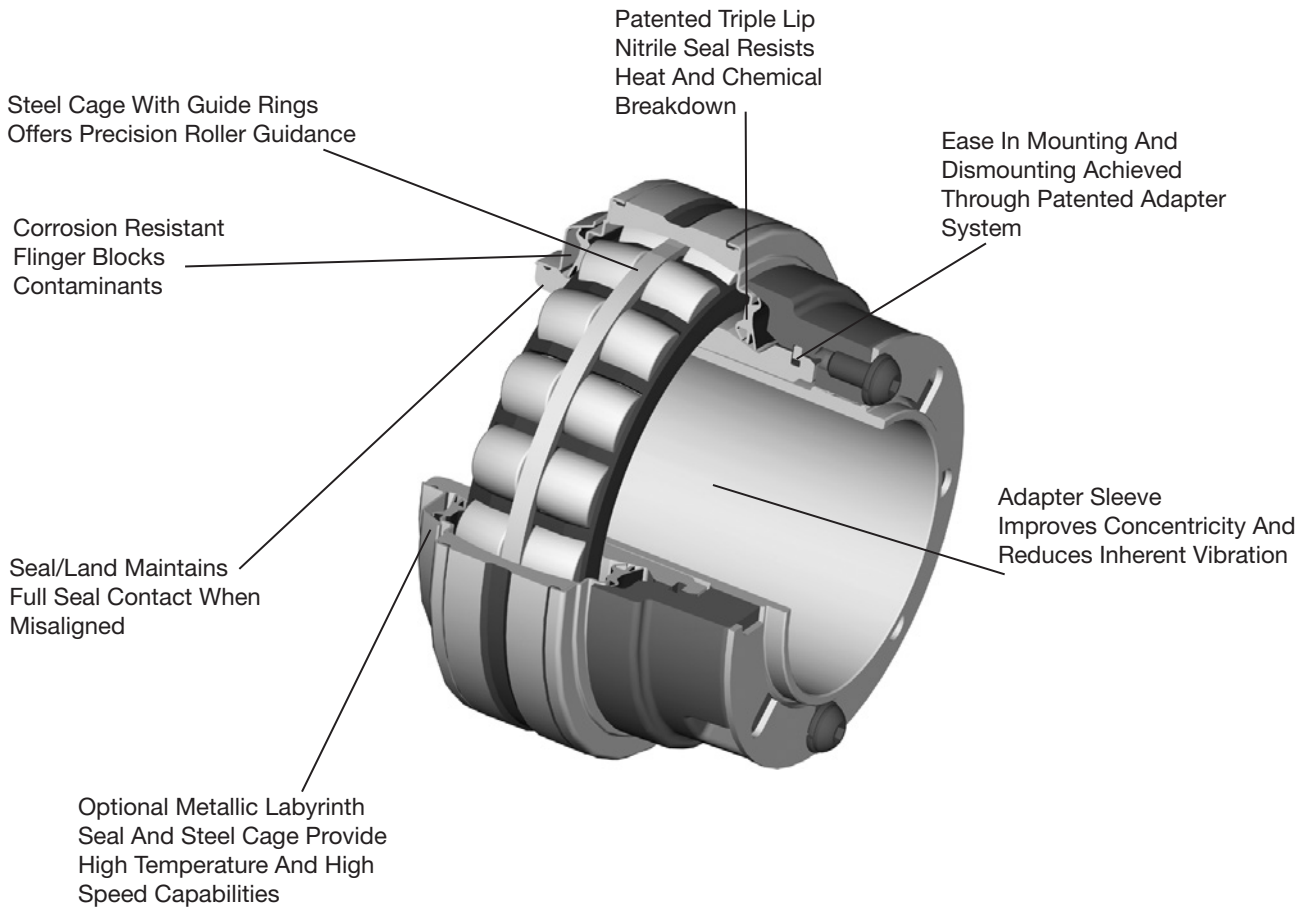
UNISPHERE II

IMPERIAL

UNIFIED SAF

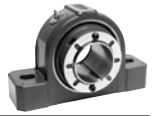
IMPERIAL Patented Adapter System Offers Quick Installation And Removal

The DODGE IMPERIAL bearing uses a thin wall push-pull adapter system that achieves clearance setting without the use of feeler gauges. The IMPERIAL bearing is installed by turning the locknut clockwise and removed by a counterclockwise rotation. Installation and removal of an IMPERIAL bearing can be accomplished in 15 minutes or less.



Installation and Removal Savings . . .

- Factory lubed, sealed and adjusted, ready to slip onto the shaft
- IMPERIAL adapter sleeve concentricity virtually eliminates fretting corrosion
- Field convertible from non-expansion to expansion and expansion to non-expansion
- Elongated pillow block bolt holes to facilitate mounting



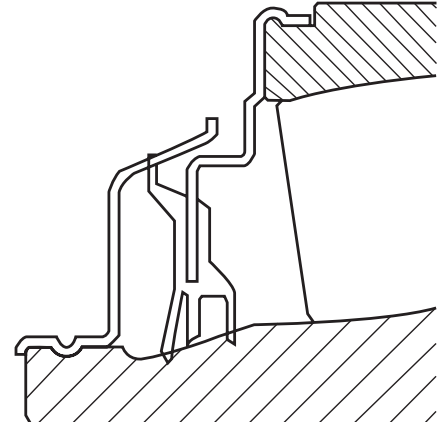
FEATURES/BENEFITS

IMPERIAL

IMPERIAL Bearings Offer Patented Seal Options To Maximize Bearing Life . . .

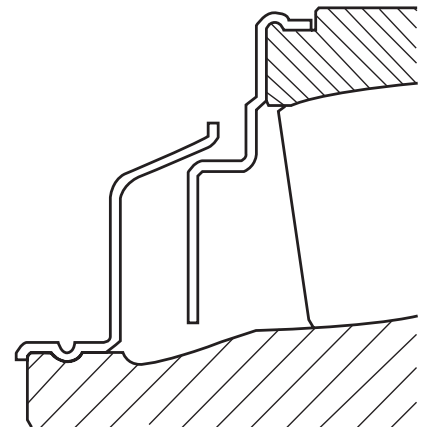
TRIDENT™ seals for low to medium speed

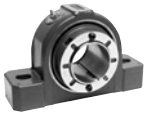
- Face rubbing triple lip seal
- Flinger to shield seal and bearing from contamination/damage
- Seal/land positive contact up to ± 1 degree of misalignment
- Patented design



Labyrinth seals for higher speeds or high temperatures

- High speed for relatively clean or hot environments
- 15% increase in maximum speed over standard SAF adapter mounted sphericals of the same shaft size
- Flinger to shield seal and bearing from contamination/damage
- Seal operates up to ± 1 degree of misalignment
- Patented design



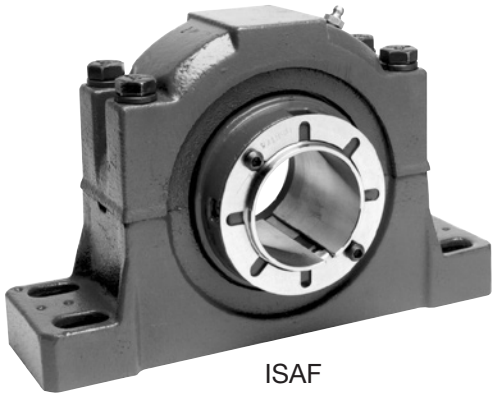


FEATURES/BENEFITS

IMPERIAL - IP



Flange IMPERIAL



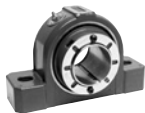
ISAF



Pillow Block IMPERIAL

- Push-pull adapter mount
- Grease limiting speeds 30% higher than setscrew mounts
- Same rolling element as the S-2000 bearing
- Pillow blocks are interchangeable with S-2000 dimensions on all sizes
- All housings are Class 30 Gray Iron
- 2 bolt pillow blocks, 4 bolt flange bearings piloted flange and take-ups 1-1/8" to 4" 4 bolt pillow blocks in sizes 2-3/8" to 5"
- Jackscrew holes standard on piloted flanges
- Can replace 300 series ball bearings in many applications
- Patented adapter mounting system
- Superior holding power reduces the fretting corrosion caused by vibration
- Shaft ready installation
- No special tools required for installation
- DODGE TRIDENT triple lip seal provides superior sealing system
- Seal/land on OD of inner ring maintains full contact pressure even when misaligned
- Less shaft damage vs. setscrew mounts
- Reduced vibration damage vs. setscrew mounts

NOTE: Instruction manuals for Dodge bearings available on www.dodge-pt.com



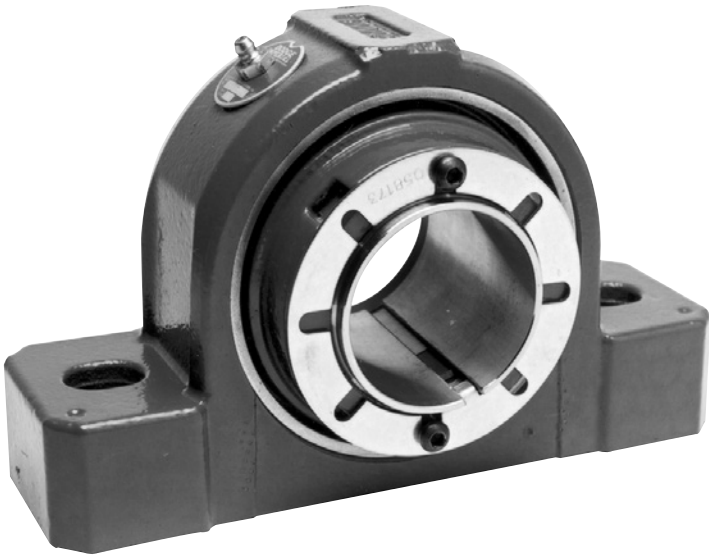
SPECIFICATION

IMPERIAL INCH

DODGE Spherical Bearings, including IMPERIAL bearings, are general-purpose, high-capacity, double-row spherical roller bearings. All IMPERIAL bearings are mounted in single-piece, precision-machined housings. Bearings are mounted to shafts by means of a patented adapter system that improves concentricity and reduces inherent vibration.

ASTM A48 Class 30 cast iron is the standard material used in IMPERIAL housings. Housing designs are available for survival in extremely harsh environments, through the use of special finishes and stainless hardware.

Housings are available in a variety of standard configurations, including pillow blocks, flanges, piloted flanges and take-up bearings. TRIDENT triple lip contact seals and Labyrinth seals are available on IMPERIAL bearings.





FEATURES/BENEFITS

Dodge IMPERIAL-HD

Dodge IMPERIAL-HD mounted bearings feature proven Dodge Imperial bearing insert technology deployed in steel housings designed specifically for harsh applications that demand superior housing strength. Major features include...

- Imperial patented push-pull adapter mounting system
- High capacity cast steel housing
- Same dimensions as cast iron Imperial products
- Also available in popular “Type E” dimensioned housings
- Proven, high capacity spherical rollers
- Effective sealing systems for tough applications
- Closed & shaft through end covers
- Sealed inserts that can be easily replaced in the field
- Field convertible between Expansion & Non-Expansion

IMPERIAL-HD

Two bolt pillow blocks – 1-1/8 to 4”

Four bolt pillow blocks – 2-3/8 to 5”

Four bolt square flange – 1-1/8 to 4”

Piloted flange – 1-1/8 to 5”

Narrow piloted “Edger” flange – 1-7/16 to 4-7/16”

“E” Dimensioned IMPERIAL-HD

Two bolt pillow blocks – 1-3/8 to 3-1/2”

Four bolt pillow blocks – 2-1/4 to 5”

Four bolt square flange – 1-3/8 to 4-1/2”



Bearing Reference Guide

E-Family Roller Bearings

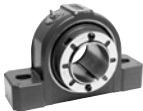
Specialty Tapered Products

S-2000

UNISPHERE II

IMPERIAL

UNIFIED SAF



SPECIFICATION

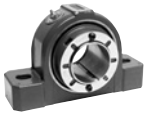
IMPERIAL-HD INCH

DODGE Spherical Bearings, including IMPERIAL-HD bearings, are general-purpose, high-capacity, double-row spherical roller bearings. All IMPERIAL-HD bearings are mounted in single-piece, precision-machined housings. Bearings are mounted to shafts by means of a patented adapter system that improves concentricity and reduces inherent vibration.

ASTMA A-27 Grade 70-36 Class 1 steel is the standard material used in steel IMPERIAL HD housings. Housing designs are available for survival in extremely harsh environments, through the use of special finishes and stainless hardware.

Housings are available in a variety of standard configurations, including pillow blocks, flanges, piloted flanges and take-up bearings. TRIDENT triple lip contact seals and Labyrinth seals are available on IMPERIAL bearings.





NOMENCLATURE

Bearing Reference Guide

E-Family Roller Bearings

Specialty Tapered Products

S-2000

UNISPHERE II

IMPERIAL

UNIFIED SAF

How To Order

There are two ways to specify DODGE Bearings. Most of the product offerings have part numbers with listings shown throughout this catalog. Use of part numbers ensures accurate order processing.

When part numbers are not shown, the product may be specified by description or part name. This method is used when ordering units that include modifications or options. To order by description, use the nomenclature key shown on this page and add any special instructions to the end of the description for options not covered by the nomenclature.

DODGE Spherical Bearings are factory adjusted and pre-lubricated. For applications where extreme ambient temperatures, high speeds, or high loads are expected,

a variety of specialty lubricants are available. Standard lubricant provided is Mobil Grease XHP 222, a lithium complex based grease. High temperature greases available upon request. Other special lubricants are also available upon request. Special lubricant options usually involve set-up charges, minimum quantities and list price premiums. To order, specify type of lubricant required at the end of the product name or after the standard part number.

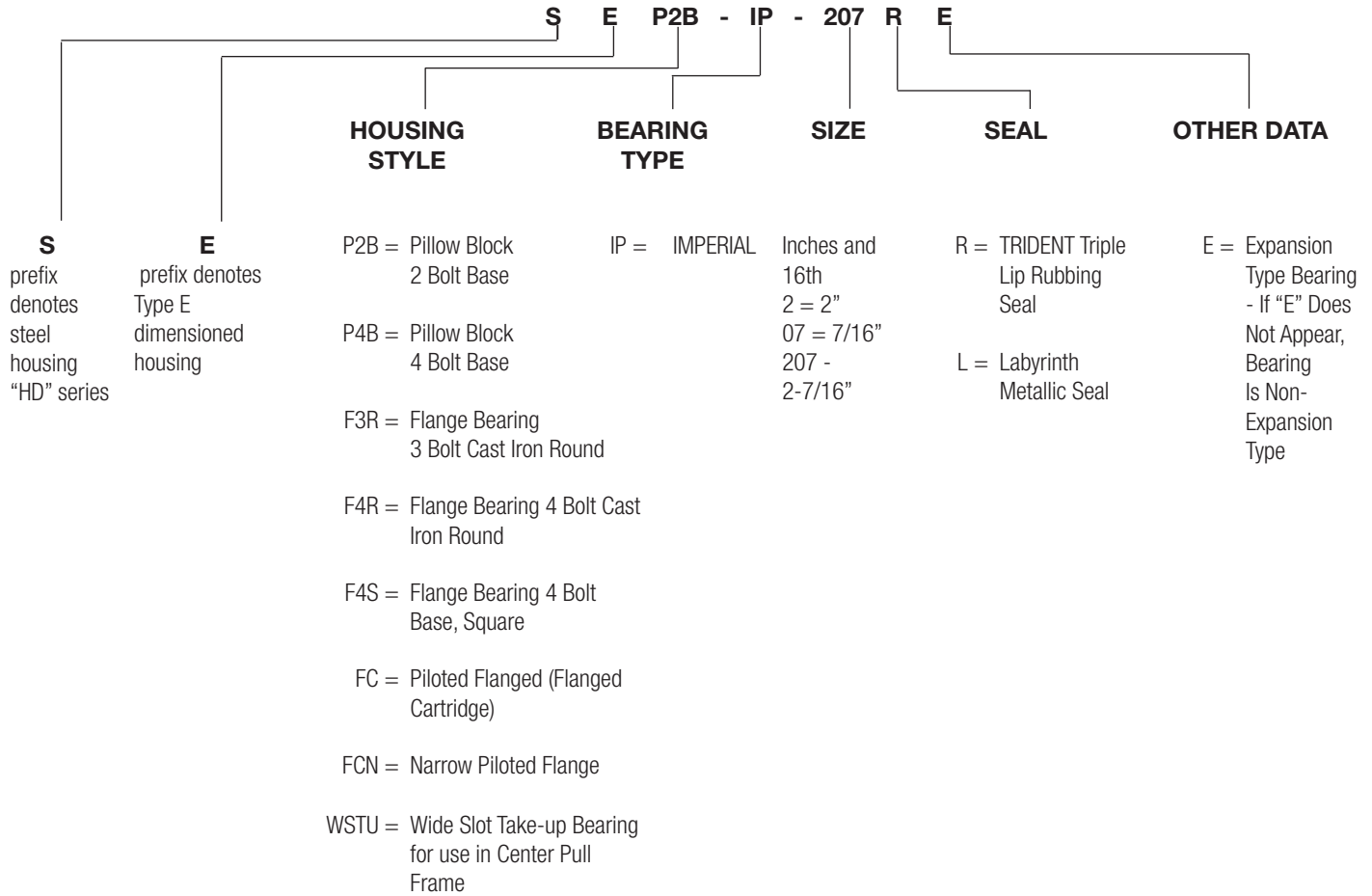
Example: 071792 or 071650 except with Mobil Grease
HTS #2 grease
or
SP2BIP108R except with Mobil Grease HTS #2 grease

For applications requiring modifications not listed, we encourage you to contact our Application Engineering Department for Bearings at 864-284-5700.

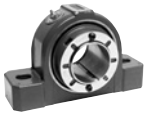
FEATURES/BENEFITS PAGE B14-2	SPECIFICATIONS PAGE B14-5	SELECTION PAGE B14-14	DIMENSIONS PAGE B14-30
---------------------------------	------------------------------	--------------------------	---------------------------



Imperial - IP



FEATURES/BENEFITS PAGE B14-2	SPECIFICATIONS PAGE B14-5	SELECTION PAGE B14-14	DIMENSIONS PAGE B14-30
---------------------------------	------------------------------	--------------------------	---------------------------



FEATURES/BENEFITS

Bearing Reference Guide

E-Family Roller Bearings

Specialty Tapered Products

S-2000

UNISPHERE II

IMPERIAL

UNIFIED SAF

ISAF



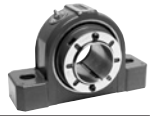
- Interchangeable with SAF style pillow blocks
- Patented adapter mounting system
- Easy installation - no feeler gauges needed
- Easy removal - no torches, sledge hammers or special tools needed
- DODGE TRIDENT triple lip seal provides superior sealing system
- Labyrinth seal available for high speed or high temperature applications.
- Up to $\pm 1^\circ$ misalignment capability
- Seal land on OD of inner ring maintains full contact pressure even when misaligned
- High capacity double row spherical bearings
- 2 bolt pillow blocks in sizes 1-7/16" to 3-6/16"
- 4 bolt pillow blocks in sizes 2-7/16" to 7"

ISAF HYD

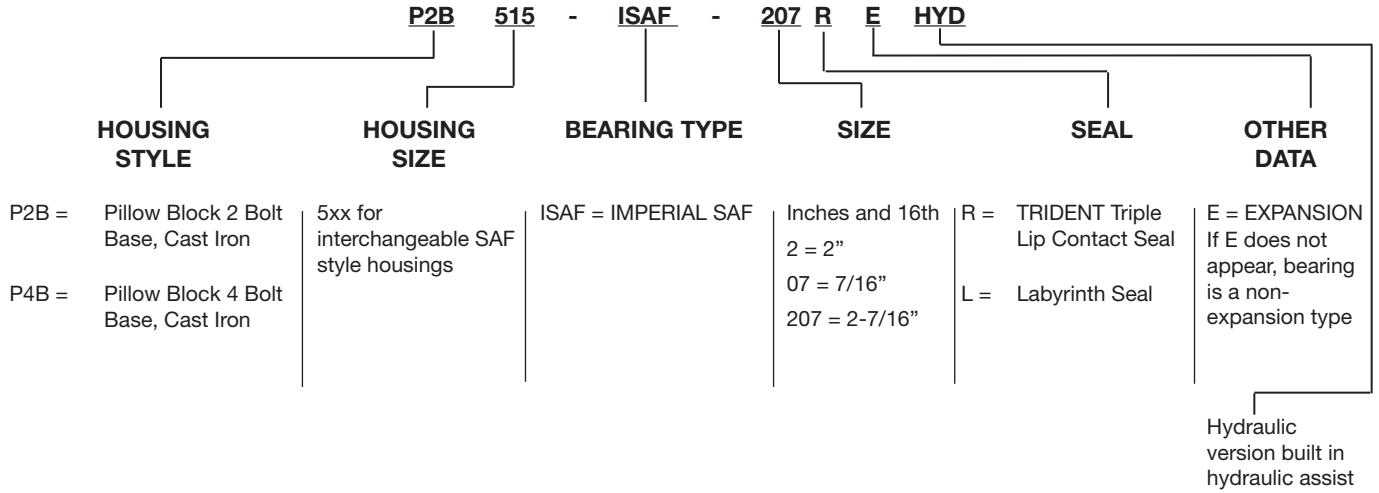


- Built in hydraulic mounting and dismounting
 - No feeler gauges for installation
 - No torches or sledge hammers for removal
- Built in taconite style sealing
- 4 bolt pillow blocks 5-7/16" through 15"
- 22232K through 23176K double row spherical bearings

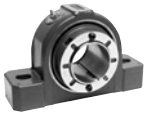
NOMENCLATURE



ISAF



FEATURES/BENEFITS PAGE B14-2	SPECIFICATIONS PAGE B14-5	SELECTION PAGE B14-14	DIMENSIONS PAGE B14-30
---------------------------------	------------------------------	--------------------------	---------------------------



FEATURES/BENEFITS

Bearing Reference Guide

E-Family Roller Bearings

Specialty Tapered Products

S-2000

UNISPHERE II

IMPERIAL

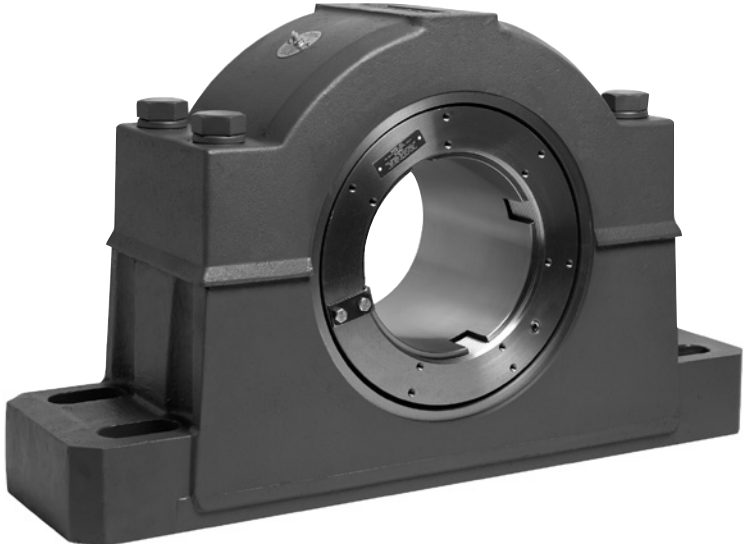
UNIFIED SAF

ISN

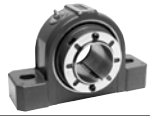


- Interchangeable with 500 series "SN" dimensioned products
- Patented Imperial "Push/Pull" adapter mounting system
- Eliminates need for feeler gauges
- Fifteen minute installation and removal
- Field convertible from expansion to non-expansion and vice versa
- Triple lip contact seals for wet or dirty applications
- Labyrinth non-contact seals for higher speed/higher temperature applications

ISNX HYD



- Interchangeable with large-bore 3100 series plummer blocks
- Built in hydraulic mounting and dismounting
 - No feeler gauges for installation
 - No torches or sledge hammers for removal
- Built in taconite style sealing
- Four-bolt pillow blocks 150mm through 360mm
- 23134K through 23176K double row spherical bearings



How To Order

There are two ways to specify DODGE Bearings. Most of the product offerings have part numbers with listings shown throughout this catalog. Use of part numbers ensures accurate order processing.

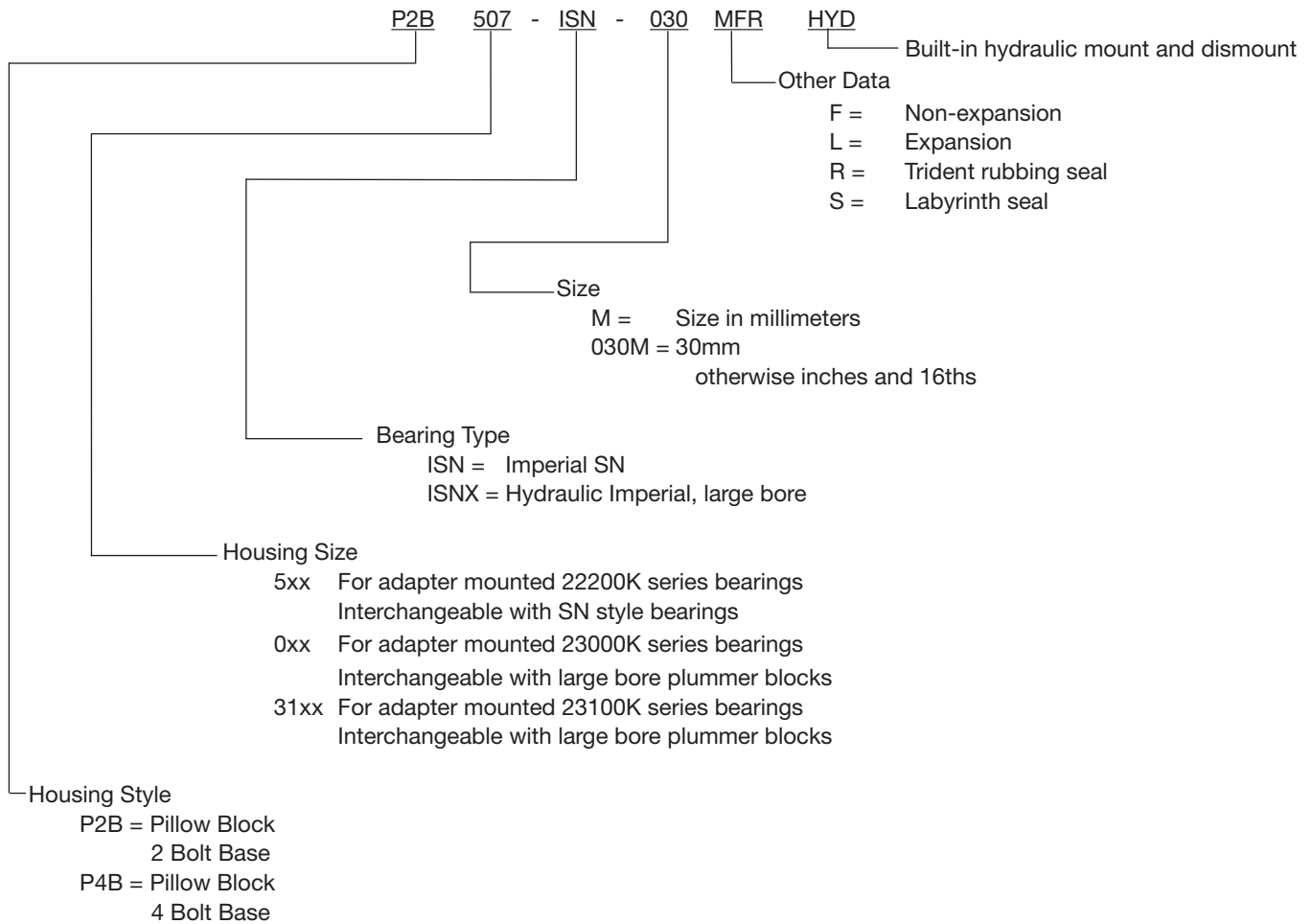
When part numbers are not shown, the product may be specified by description or part name. This method is used when ordering units that include modifications or options. To order by description, use the nomenclature key shown on this page and add any special instructions to the end of the description for options not covered by the nomenclature.

DODGE Spherical Bearings are factory adjusted and pre-lubricated. For applications where extreme ambient temperatures, high speeds, or high loads are expected,

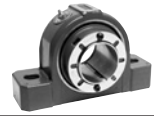
a variety of specialty lubricants are available. Standard lubricant provided is Mobil Grease XHP 222, a lithium complex based grease. High temperature greases available upon request. Other special lubricants are available upon request. Special lubricant options usually involve set-up charges, minimum quantities and list price premiums. To order, specify type of lubricant required at the end of the product name or after the standard part number.

Example: 071792 or 071650 except with Mobil Grease HTS #2 grease
or
SP2BIP108R except with Mobil Grease HTS #2 grease

For applications requiring modifications not listed, we encourage you to contact our Application Engineering Department for Bearings at 864-284-5700.



FEATURES/BENEFITS PAGE B14-2	SPECIFICATIONS PAGE B14-5	SELECTION PAGE B14-14	DIMENSIONS PAGE B14-30
---------------------------------	------------------------------	--------------------------	---------------------------



SELECTION

IMPERIAL-IP, ISAF, HD, ISN, ISNX

DODGE Spherical Roller Bearings have the capacity to carry heavy radial loads and combined radial and thrust loads. The maximum recommended load which can be applied is limited by various components in the system such as bearing, housing, shaft, shaft attachment, speed and life requirements as listed in this catalog. DODGE spherical roller bearings have been applied successfully even when these limits have been exceeded under controlled operating conditions. Contact DODGE Application Engineering (864-284-5700) for applications which exceed the recommendations of this catalog.

L₁₀ Hours Life - The life which may be expected from at least 90% of a given group of bearings operating under identical conditions.

$$L_{10} \text{ Life, Hours} = \left(\frac{C}{P} \right)^{10/3} \times \left(\frac{16667}{\text{RPM}} \right)$$

Where:

C = Dynamic Capacity (Table 1 on page B4-17 for IMPERIAL), lbs.

P = Equivalent Radial Load, lbs.

GENERAL

Heavy Service - For heavy shock loads, frequent shock loads, or severe vibrations, add up to 50% (according to severity of conditions) to the Equivalent Radial Load to obtain a Modified Equivalent Radial Load. Consult DODGE Application Engineering for additional selection assistance.

Thrust load values shown in the table below are recommended as a guide for general applications that will give adequate L₁₀ life. Spherical bearings require a radial load at least equal to the thrust load for proper operation. If the thrust load exceeds this limit, consult Application Engineering. Where substantial radial load is also present, it is advisable to calculate actual L₁₀ life to assure that it meets the requirements. The effectiveness of the shaft attachment to carry thrust load depends on proper tightening of the bearing to the shaft. Therefore, it is advisable to use auxiliary thrust carrying devices such as shaft shoulder, snap ring or a thrust collar to locate the bearing under thrust loads heavier than shown below, or where extreme reliability is desired.

RPM	20- 200	201-2000	Over 2000
Recommended Thrust Load	C/20	C/40	C/60

The shaft tolerances recommended below are adequate for normal radial and radial/thrust load applications. Since the allowable load, especially at a low speed, is very large, the shaft should be checked to assure adequate shaft strength.

The magnitude and direction of both the thrust and radial load must be taken into account when selecting a housing. **When pillow blocks are utilized, heavy loads should be directed through the base. Where cap loads are involved, see Table 3 on page B4-15 for maximum values.** Where a load pulls the housing away from the mounting base, both the hold-down bolts and housing must be of adequate strength. Auxiliary load carrying devices such as shear bars are advisable for side or end loading of pillow blocks and radial loads for flange units.

Shaft Tolerances

	Tolerance, Inches
Up To 1-1/2"	+.000 -.002"
1-9/16 to 2-1/2"	+.000 -.003"
2-5/8 to 4"	+.000 -.004"
4-3/16 to 6"	+.000 -.005"
6-7/16" and above	+.000 -.006"

BEARING SUPPORTING RADIAL LOADS ONLY

1. Define L₁₀ Life Hours desired.
2. Establish bearing radial load, F_R (F_R = P for Pure Radial Load Conditions). The DODGE program BEST* can be used to find application loads.
3. Establish RPM.

Using the easy selection Table 2 on page B4-18 for IMPERIAL, find, under the RPM column, the equivalent radial load that equals or is slightly higher than the application radial load for the desired life. The shaft size on the far left will be the minimum shaft size that you can use for your application.

If the desired life is different than the values shown on the chart, use alternate Method A shown below.

- Example:
1. L₁₀ Life = 30,000 Hours
 2. Radial load = 4000 lbs.
 3. RPM = 1,000

At the intersection of the 1,000 RPM column and the 30,000 hours L₁₀ life row, the equivalent radial load of 4116 lbs. exceeds the 4000 lbs. radial load for shaft size 2-3/8" to 2-1/2". A bearing with bore ranging from 2-3/8" to 2-1/2", or larger, may be used for this application.

FEATURES/BENEFITS PAGE B14-2	SPECIFICATIONS PAGE B14-5	HOW TO ORDER/NOMENCLATURE PAGE B14-8	DIMENSIONS PAGE B14-30
---------------------------------	------------------------------	---	---------------------------



SELECTION

IMPERIAL-IP, ISAF, HD, ISN, ISNX

ALTERNATE METHOD A - SELECTING A BEARING FOR AN L₁₀ LIFE VALUE NOT SHOWN IN THE EASY SELECTION CHART.

The L₁₀ life equation can be rearranged so that the bearing dynamic capacity C is identified in terms of L₁₀, RPM and P

$$C = \left(\frac{L_{10} \times \text{RPM}}{16667} \right)^{0.3} \times P$$

(P = F_R for Pure Radial Load Conditions)

Since the L₁₀, RPM and P are known, solve for C. Select from the dynamic capacity column on Table 1 the C value equal to or greater than the C value just calculated. The bore size on the far left represents the proper bore size selection. Check that the application RPM does not exceed the MAX. RPM from Table 1. When selecting an L₁₀ life of less than 30,000 hours, particular attention must be paid to shaft deflection and proper lubricant selection.

SELECTING BEARINGS SUPPORTING COMBINATION RADIAL AND THRUST LOADS

When a bearing supports both a radial load and a thrust load, the loading on the two rows is shared unequally depending on the ratio of thrust to radial load. The use of the X (radial factor) and Y (thrust factor) from Table 1 converts the applied thrust load and radial load to an equivalent radial load having the same effect on the life of the bearing as a radial load of this magnitude.

The equivalent radial load P = XFR + YFA

Where:

- P = Equivalent radial load, lbs.
- F_R = Radial load, lbs. (see Table 1 for allowable slip fit maximum load)
- F_A = Thrust (axial) load, lbs.
- e = Thrust load to radial load factor (Table 1)
- X = Radial load factor (Table 1)
- Y = Thrust load factor (Table 1)

To find X and Y, calculate F_A/F_R and compare to e for the selected bore size. Determine X and Y from Table 1 on page B4-17 depending on whether F_A/F_R is equal to or less than e, or F_A/F_R is greater than e. Substitute all known values into the equivalent radial load equation. P (equivalent radial load) can be used in the life formula to determine L₁₀, or it can be compared to the allowable equivalent radial load ratings for the speed and hours life desired in the easy selection.

★ The DODGE Bearing Evaluation and Selection Technique (BEST) is a menu driven computer program that calculates bearing loads, fatigue life and operating temperature for a two bearing shaft system based on user supplied input parameters. This interactive program is available at www.ptwizard.com under the Product Selection area.

SELECTING BEARINGS SUPPORTING ONLY THRUST LOADS

Spherical Roller Bearings generally are not recommended for pure thrust load applications. However, they will perform satisfactorily under very light pure thrust loads. Consult DODGE Application Engineering (864-284-5700).

SELECTING LUBRICATION

IMPERIAL spherical roller bearings are lubricated at the factory with Mobil Grease XHP 222 - lithium complex grease. This grease will adequately handle low and medium speeds with low and medium loads at normal temperatures on Table 10 on page B4-29. For very low and high speeds, for heavy loads, and for low and high temperatures, special greases may be used. Contact DODGE Application Engineering (864-284-5700), DODGE engineers will recommend bearings and lubricants for the above unusual conditions. DODGE also has the expertise to custom design and build special bearings for your needs. The only maintenance requirement for DODGE Spherical roller bearings is periodic relubrication at regular intervals as outlined in the appropriate instruction manuals.

MISALIGNMENT CONSIDERATIONS

In nearly all applications good design practice requires two bearings supporting the shaft. In cases where three or more bearings are installed, unless precautions are taken to line the bearings up, both vertically and horizontally, it is possible to induce heavy loads. In the case of two bearings, alignment is not as critical, especially with DODGE Unitized Spherical Roller Bearings. IMPERIAL bearings are designed to allow a maximum of ±1° of static and dynamic misalignment. To ensure good alignment, mounting surfaces must be checked for flatness and must lie in the same plane. When tightening base bolts, each bolt should be alternately tightened in incremental torque values until full torque is achieved to prevent the angular shifting of the pillow block that occurs when one bolt is tightened to its full torque. Shimming may be required to minimize misalignment.

FEATURES/BENEFITS PAGE B14-2	SPECIFICATIONS PAGE B14-5	HOW TO ORDER/NOMENCLATURE PAGE B14-8	DIMENSIONS PAGE B14-30
---------------------------------	------------------------------	---	---------------------------

SELECTION



IMPERIAL-ISNX

To find X and Y, calculate F_A/F_R and compare to e for the selected bore size. Determine X and Y from Table 3 on page B4-17 depending on whether F_A/F_R is equal to or less than e, or F_A/F_R is greater than e. Substitute all known values into the equivalent radial load equation. P (equivalent radial load) can be used in the life formula to determine L_{10} , or it can be compared to the allowable equivalent radial load ratings for the speed and hours life desired in the easy selection on page B4-17.

SELECTING BEARINGS SUPPORTING ONLY THRUST LOADS

Spherical Roller Bearings generally are not recommended for pure thrust load applications. However, they will perform satisfactorily under very light pure thrust loads. Consult DODGE Application Engineering (864-284-5700).

SELECTING LUBRICATION

IMPERIAL spherical roller bearings are lubricated at the factory with Mobil Grease XHP 222 - lithium complex grease. This grease will adequately handle low and medium speeds with low and medium loads at normal temperatures on Table 10 on page B4-29. For very low and high speeds, for heavy loads, and for low and high temperatures, special greases may be used. Contact DODGE Application Engineering (864-284-5700), DODGE engineers will recommend bearings and lubricants for the above unusual conditions. DODGE also has the expertise to custom design and build special bearings for your needs. The only maintenance requirement for DODGE Spherical roller bearings is periodic relubrication at regular intervals as outlined in the appropriate instruction manuals.

MISALIGNMENT CONSIDERATIONS

In nearly all applications good design practice requires two bearings supporting the shaft. In cases where three or more bearings are installed, unless precautions are taken to line the bearings up, both vertically and horizontally, it is possible to induce heavy loads. In the case of two bearings, alignment is not as critical, especially with DODGE Unitized Spherical Roller Bearings. IMPERIAL bearings are designed to allow a maximum of $\pm 1^\circ$ of static and dynamic misalignment. To ensure good alignment, mounting surfaces must be checked for flatness and must lie in the same plane. When tightening base bolts, each bolt should be alternately tightened in incremental torque values until full torque is achieved to prevent the angular shifting of the pillow block that occurs when one bolt is tightened to its full torque. Shimming may be required to minimize misalignment.

Lubrication Guide for Hydraulic ISAF/ISNX

Lubrication Guide in Months				
Bore (in)	1 - 250 rpm	251 - 500 rpm	501 - 750 rpm	751-1000 rpm
5-7/16 - 5-1/2	1.50	1	0.50	0.25
5-15/16 - 7	1	0.50	0.50	0.25
8 - 9	1	1	0.50
10 - 12-1/2	1	0.50
14 - 15	0.50	0.25

Based on 12 hrs/day, 150 F° Max
Continuous operation, 24 h/d, decrease by 50%

Lubrication Guide for Imperial/ISAF/ISN

Re-Lubrication Intervals (Months) Based on 12 hours per day, 150°F M									
Shaft Size. (Inches)	RPM								
	250	500	750	1000	1250	1500	2000	2500	>3000
1-1/8 to 2	4	3	2	2	1	0.50	0.25	0.25	0.25
2-3/16 to 2-1/4	3.50	2.50	1.50	1	0.50	0.50	0.25	0.25	0.25
2-3/8 to 3	3	2	1.50	1	0.50	0.25	0.25	0.25	0.25
3-3/16 to 3-1/2	2.50	1.50	1	0.50	0.25	0.25	0.25	0.25	-
3-11/16 to 4-1/2	2	1.50	1	0.50	0.25	0.25	0.25	-	-
4-15/16 to 5-1/2	1.50	1	0.50	0.25	0.25	0.25	-	-	-
5-15/16 to 6	1	0.50	0.50	0.25	0.25	0.25	-	-	-
6-7/16 to 7	1	0.50	0.25	0.25	0.25	-	-	-	-

FEATURES/BENEFITS PAGE B14-2	SPECIFICATIONS PAGE B14-5	HOW TO ORDER/NOMENCLATURE PAGE B14-8	DIMENSIONS PAGE B14-30
---------------------------------	------------------------------	---	---------------------------

SELECTION



IMPERIAL - Spherical Roller Bearing

Table 1: IMPERIAL Spherical Roller Bearing

Shaft Size Inches	Basic Bearing Description	e	F _A /F _R <e		F _A /F _R >e		Adapter Maximum Thrust Load lbs.	Dynamic Capacity (C) lbs.	Static Capacity (C ₀) lbs.	Maximum Speed*		Maximum ISAF Expansion Capability Inches
			X	Y	X	Y				Labyrinth RPM	TRIDENT RPM	
1-1/8 1-3/16 1-1/4 1-3/8 1-7/16 1-1/2	22208	0.28	1.0	2.4	0.67	3.6	620	20,800	21,000	6,000	3,975	7/32
1-1/2 ** 1-5/8 1-11/16 1-3/4	22209	0.26	1.0	2.6	0.67	3.9	700	20,800	22,000	5,600	3,725	7/32
1-3/4 ** 1-7/8 1-15/16 2	22210	0.24	1.0	2.8	0.67	4.2	775	22,000	24,000	5,300	3,520	17/64
2-3/16 2-1/4	22211	0.23	1.0	2.9	0.67	4.3	930	27,000	29,000	4,500	3,000	7/32
2-1/4 ** 2-3/8 2-7/16 2-1/2	22213	0.24	1.0	2.8	0.67	4.2	1,360	39,000	47,500	3,800	2,400	5/16
2-11/16 2-3/4 2-15/16 3	22215	0.22	1.0	3.1	0.67	4.6	1,570	41,500	53,000	3,400	2,250	15/64
3-3/16 3-1/4 3-7/16 3-1/2	22218	0.23	1.0	2.9	0.67	4.3	2,430	65,500	81,500	2,600	1,825	3/8
3-11/16 3-15/16 4	22220	0.24	1.0	2.8	0.67	4.2	3,100	83,000	104,000	2,200	1,530	3/8
4-7/16 4-1/2	22222	0.25	1.0	2.7	0.67	4.0	3,930	104,000	132,000	2,000	1,325	3/8
4-15/16 5	22226	0.26	1.0	2.6	0.67	3.9	5,610	146,000	196,000	1,800	1,175	3/8
5-7/16 5-1/2	22228	0.25	1.0	2.7	0.67	4.0	6,419	166,000	236,000	1,700	1,100	3/8
5-15/16 6	22232	0.26	1.0	2.6	0.67	3.9	8,630	220,000	315,000	1,500	975	3/8
6-7/16 6-1/2 6-15/16 7	22236	0.25	1.0	2.7	0.67	4.0	10,437	260,000	375,000	1,300	845	3/8

* Maximum grease speed is dependent on load and ambient conditions, consult Dodge Engineering

** IMPERIAL - Type E Dimensional Housing

FEATURES/BENEFITS PAGE B14-2	SPECIFICATIONS PAGE B14-5	HOW TO ORDER/NOMENCLATURE PAGE B14-8	DIMENSIONS PAGE B14-30
---------------------------------	------------------------------	---	---------------------------

Bearing Reference Guide
 E-Family Roller Bearings
 Specialty Tapered Products
 S-2000
 UNISPHERE II
 IMPERIAL
 UNIFIED SAF

SELECTION



IMPERIAL - Spherical Roller Bearing

Table 2: Allowable Equivalent Radial Load Rating (lbs) at Various Revolutions per Minute

Size Inches	L ₁₀ Life Hours	Allowable Equivalent Radial Load Rating (lbs.) at Various Revolutions per Minute																					
		50	100	150	250	500	750	1,000	1,300	1,500	1,700	1,800	2,000	2,200	2,600	2,750	3,000	3,400	3,800	4,500	5,300	5600	6000
1-1/8 to 1-1/2	10,000	7498	6090	5393	4626	3758	3327	3052	2821	2703	2603	2559	2479	2409	2292	2253	2195	2114	2045	1944	1851	1820	1783
	30,000	5393	4380	3878	3327	2703	2393	2195	2029	1944	1872	1840	1783	1733	1648	1621	1579	1521	1471	1398	1331	1309	1282
	40,000	4947	4018	3558	3052	2479	2195	2014	1861	1783	1717	1688	1636	1590	1512	1487	1448	1395	1349	1282	1221	1201	1176
	60,000	4380	3558	3150	2703	2195	1944	1783	1648	1579	1521	1495	1448	1408	1339	1316	1282	1235	1195	1136	1081	1064	1042
100,000	3758	3052	2703	2319	1883	1668	1530	1414	1355	1305	1282	1243	1208	1149	1129	1100	1060	1025	974	928	912	894	
*1-1/2 to 1-11/16	10,000	7,498	6,090	5,393	4,626	3,758	3,327	3,052	2,821	2,703	2,603	2,559	2,479	2,409	2,292	2,253	2,195	2,114	2,045	1,944	1,851	1,820	
	30,000	5,393	4,380	3,878	3,327	2,703	2,393	2,195	2,029	1,944	1,872	1,840	1,783	1,733	1,648	1,621	1,579	1,521	1,471	1,398	1,331	1,309	
	40,000	4,947	4,018	3,558	3,052	2,479	2,195	2,014	1,861	1,783	1,717	1,688	1,636	1,590	1,512	1,487	1,448	1,395	1,349	1,282	1,221	1,201	
	60,000	4,380	3,558	3,150	2,703	2,195	1,944	1,783	1,648	1,579	1,521	1,495	1,448	1,407	1,339	1,316	1,282	1,235	1,195	1,136	1,081	1,063	
100,000	3,758	3,052	2,703	2,319	1,883	1,668	1,530	1,414	1,355	1,305	1,282	1,243	1,208	1,148	1,129	1,100	1,060	1,025	974	928	912		
*1-3/4 to 1-15/16	10,000	7,930	6,441	5,704	4,893	3,975	3,519	3,228	2,984	2,859	2,753	2,706	2,622	2,548	2,424	2,383	2,322	2,245	2,168	2,056	1,957		
	30,000	5,704	4,633	4,102	3,519	2,859	2,531	2,322	2,146	2,056	1,980	1,947	1,886	1,833	1,743	1,714	1,670	1,608	1,556	1,479	1,408		
	40,000	5,232	4,250	3,763	3,228	2,622	2,322	2,130	1,969	1,886	1,816	1,786	1,730	1,681	1,599	1,572	1,532	1,475	1,427	1,356	1,291		
	60,000	4,633	3,763	3,332	2,859	2,322	2,056	1,886	1,743	1,670	1,608	1,581	1,532	1,489	1,416	1,392	1,356	1,306	1,264	1,201	1,144		
100,000	3,975	3,228	2,859	2,452	1,992	1,764	1,618	1,496	1,433	1,380	1,356	1,314	1,277	1,215	1,194	1,164	1,121	1,084	1,030	981			
2-3/16 to 2-1/4	10,000	9,733	7,905	7,000	6,005	4,878	4,319	3,962	3,662	3,508	3,379	3,322	3,218	3,127	2,975	2,925	2,850	2,745	2,655	2,523			
	30,000	7,000	5,686	5,035	4,319	3,508	3,106	2,850	2,634	2,523	2,430	2,389	2,315	2,249	2,139	2,104	2,050	1,974	1,909	1,815			
	40,000	6,421	5,216	4,618	3,962	3,218	2,850	2,614	2,416	2,315	2,229	2,191	2,123	2,063	1,963	1,930	1,880	1,811	1,751	1,665			
	60,000	5,686	4,618	4,089	3,508	2,850	2,523	2,315	2,139	2,050	1,974	1,940	1,880	1,827	1,738	1,709	1,665	1,603	1,551	1,474			
100,000	4,878	3,962	3,508	3,010	2,445	2,165	1,986	1,835	1,758	1,694	1,665	1,613	1,567	1,491	1,466	1,428	1,376	1,330	1,265				
*2-1/4 to 2-7/16	10,000	14,058	11,419	10,111	8,674	7,046	6,239	5,723	5,290	5,068	4,881	4,798	4,649	4,518	4,297	4,225	4,116	3,964	3,834				
	30,000	10,111	8,213	7,272	6,239	5,068	4,487	4,116	3,805	3,645	3,510	3,451	3,343	3,220	3,165	3,067	2,980	2,835	2,787	2,716	2,616	2,530	
	40,000	9,275	7,534	6,671	5,723	4,649	4,116	3,776	3,490	3,343	3,220	3,165	3,067	2,980	2,835	2,787	2,716	2,616	2,530				
	60,000	8,213	6,671	5,907	5,068	4,116	3,645	3,343	3,090	2,960	2,851	2,803	2,716	2,639	2,510	2,468	2,405	2,316	2,240				
100,000	7,046	5,723	5,068	4,348	3,531	3,127	2,868	2,651	2,540	2,446	2,405	2,330	2,264	2,153	2,118	2,063	1,987	1,922					
2-11/16 to 3	10,000	14,959	12,151	10,759	9,230	7,497	6,639	6,090	5,629	5,392	5,194	5,105	4,946	4,807	4,572	4,496	4,380	4,219					
	30,000	10,759	8,739	7,738	6,639	5,392	4,775	4,380	4,048	3,878	3,735	3,672	3,558	3,427	3,288	3,233	3,150	3,034					
	40,000	9,870	8,017	7,098	6,090	4,946	4,380	4,018	3,714	3,558	3,427	3,368	3,263	3,171	3,016	2,966	2,890	2,783					
	60,000	8,739	7,098	6,285	5,392	4,380	3,878	3,558	3,288	3,150	3,034	2,982	2,890	2,808	2,671	2,626	2,559	2,464					
100,000	7,497	6,090	5,392	4,626	3,758	3,327	3,052	2,821	2,703	2,603	2,559	2,479	2,409	2,291	2,253	2,195	2,114						
3-3/16 to 3-1/2	10,000	23,611	19,178	16,981	14,569	11,833	10,478	9,612	8,884	8,511	8,197	7,995	7,807	7,587	7,216								
	30,000	16,981	13,793	12,213	10,478	8,511	7,536	6,913	6,390	6,121	5,896	5,795	5,615	5,457	5,190								
	40,000	15,577	12,653	11,203	9,612	7,807	6,913	6,341	5,861	5,615	5,408	5,316	5,151	5,006	4,761								
	60,000	13,793	11,203	9,920	8,511	6,913	6,121	5,615	5,190	4,972	4,789	4,707	4,561	4,432	4,216								
100,000	11,833	9,612	8,511	7,302	5,931	5,251	4,817	4,453	4,266	4,108	4,038	3,913	3,803	3,617									

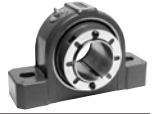
Only the labyrinth seal (L seal) may be used to the right of the heavy line.

For applications in the dark shaded area, the maximum load for the specific speed is shown. The load does not correspond to the L₁₀ shown at the left.

Applications in the light shaded area may require a high temperature lubrication, consult Dodge Engineering at (864) 297-4800

* IMPERIAL - Type E Dimensional Housing

FEATURES/BENEFITS PAGE B14-2	SPECIFICATIONS PAGE B14-5	HOW TO ORDER/NOMENCLATURE PAGE B14-8	DIMENSIONS PAGE B14-30
---------------------------------	------------------------------	---	---------------------------



IMPERIAL - Spherical Roller Bearing

Table 2: Allowable Equivalent Radial Load Rating (lbs) at Various Revolutions per Minute (continued)

Size Inches	L ₁₀ Life Hours	Allowable Equivalent Radial Load Rating (lbs.) at Various Revolutions per Minute																					
		50	100	150	250	500	750	1,000	1,300	1,500	1,700	1,800	2,000	2,200	2,600	2,750	3,000	3,400	3,800	4,500	5,300	5,600	6000
3-11/16 to 4	10,000	29,919	24,302	21,518	18,461	14,995	13,278	12,180	11,258	7,757	10,387	10,211	9,893	9,614									
	30,000	21,518	17,478	15,476	13,278	10,785	9,549	8,760	8,097	7,757	7,471	7,344	7,115	6,915									
	40,000	19,739	16,033	14,197	12,180	9,893	8,760	8,036	7,427	7,115	6,853	6,737	6,527	6,343									
	60,000	17,478	14,197	12,571	10,785	8,760	7,757	7,115	6,577	6,300	6,068	5,965	5,779	5,616									
100,000	14,995	12,180	10,785	9,252	7,515	6,655	6,104	5,642	5,405	5,206	5,117	4,958	4,818										
4-7/16 to 4-1/2	10,000	37,489	30,450	26,963	23,132	18,789	16,637	15,261	10,145	13,513	13,015	12,794	12,396										
	30,000	26,963	21,901	19,392	16,637	13,513	11,966	10,976	10,145	9,719	9,361	9,202	8,915										
	40,000	24,733	20,090	17,789	15,261	12,396	10,976	10,069	9,307	8,915	8,587	8,441	8,178										
	60,000	21,901	17,789	15,751	13,513	10,976	9,719	8,915	8,241	7,894	7,603	7,474	7,242										
100,000	18,789	15,261	13,513	11,593	9,417	8,338	7,649	7,070	6,773	6,523	6,412	6,213											
4-15/16 to 5	10,000	52,628	42,747	37,851	32,473	26,377	23,356	15,409	19,803	18,971	18,272	17,961											
	30,000	37,851	30,745	27,224	23,356	18,971	16,798	15,409	14,243	13,644	13,141	12,918											
	40,000	34,722	28,203	24,973	21,424	17,402	15,409	14,135	13,065	12,516	12,055	11,850											
	60,000	30,745	24,973	22,112	18,971	15,409	13,644	12,516	11,569	11,082	10,674	10,493											
100,000	26,377	21,424	18,971	16,275	13,220	11,706	10,738	9,925	9,508	9,157	9,002												
5-7/16 to 5-1/2	10,000	59,838	48,603	43,037	36,922	29,990	26,555	17,520	22,516	21,569	20,775												
	30,000	43,037	34,957	30,953	26,555	21,569	19,099	17,520	16,194	15,513	14,942												
	40,000	39,478	32,066	28,394	24,359	19,786	17,520	16,071	14,855	14,230	13,706												
	60,000	34,957	28,394	25,142	21,569	17,520	15,513	14,230	13,153	12,601	12,136												
100,000	29,990	24,359	21,569	18,505	15,031	13,309	12,209	11,284	10,810	10,412													
5-15/16 to 6	10,000	79,303	64,414	57,036	48,933	39,746	25,312	32,283	29,840	28,586													
	30,000	57,036	46,328	41,022	35,193	28,586	25,312	23,219	21,462	20,560													
	40,000	52,320	42,497	37,630	32,283	26,222	23,219	21,299	19,687	18,860													
	60,000	46,328	37,630	33,320	28,586	23,219	20,560	18,860	17,432	16,700													
100,000	39,746	32,283	28,586	24,524	19,920	17,638	16,180	14,955	14,327														
6-7/16 to 7	10,000	93,722	76,126	67,407	57,829	46,972	29,914	38,153	35,265														
	30,000	67,407	54,751	48,480	41,592	33,783	29,914	27,441	25,364														
	40,000	61,833	50,224	44,472	38,153	30,990	27,441	25,172	23,266														
	60,000	54,751	44,472	39,378	33,783	27,441	24,298	22,289	20,602														
100,000	46,972	38,153	33,783	28,983	23,542	20,845	19,122	17,675															

Only the labyrinth seal (L seal) may be used to the right of the heavy line.

For applications in the dark shaded area, the maximum load for the specific speed is shown. The load does not correspond to the L₁₀ shown at the left.

Applications in the light shaded area may require a high temperature lubrication, consult Dodge Engineering at (864) 284-5700.

Bearing Reference Guide

E-Family Roller Bearings

Specialty Tapered Products

S-2000

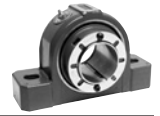
UNISPHERE II

IMPERIAL

UNIFIED SAF

FEATURES/BENEFITS PAGE B14-2	SPECIFICATIONS PAGE B14-5	HOW TO ORDER/NOMENCLATURE PAGE B14-8	DIMENSIONS PAGE B14-30
---------------------------------	------------------------------	---	---------------------------

SELECTION



IMPERIAL - Spherical Roller Bearing

Table 3: ISAF Pillow Block Hydraulic - Spherical Roller Bearings

Shaft Size Adapter Mounted Inches	Bearing Series	E	$F_A/F_R \leq e$		$F_A/F_R > e$		Adapter Maximum Allowable Thrust Load lbs. †	Dynamic Capacity (C) lbs.	Static Capacity (C ₀) lbs.	Maximum RPM
			X	Y	X	Y				
22200K Series										
5-7/16" 5-1/2" 140mm	22232K	.26	1	2.60	0.67	3.90	8630	260,000	315,000	1500
5-15/16" 6" 150mm	22234K	.26	1	2.60	0.67	3.90	9858	300,000	355,000	1300
6-7/16" 6-1/2" 160mm	22236K	.25	1	2.70	0.67	4.00	10437	308,000	375,000	1300
6-15/16" 7" 170mm	22238K	0.28	1	2.40	0.67	3.60	11786	270,000	415,000	1200
7-1/2" 7-15/16" 8" 200mm	22244K	.29	1	2.30	0.67	3.50	16020	365,000	550,000	950
23000K Series										
8-7/16" 8-1/2" 8-15/16" 9" 220mm	23048K	.25	1	2.70	0.67	4.10	14887	260,000	490,000	800
9-15/16" 10" 10-7/16" 10-1/2" 260mm	23056K	.25	1	2.70	0.67	4.10	20000	345,000	670,000	850
10-15/16" 11" 280mm	23060K	.25	1	2.70	.67	4.00	23875	440,000	820,000	630
12-7/16" 12-1/2" 320mm	23068K	.25	1	2.70	.67	4.00	30498	530,000	1,020,000	560
13-15/16" 14" 360mm	23076K	.24	1	2.80	.67	4.20	34598	570,000	1,190,000	500
15"	23080K	.24	1	2.80	.67	4.10	39926	680,000	1,390,000	450
23100K Series										
150mm	23134K	.28	1	2.40	.67	3.50	10090	232,000	375,000	1300
160mm	23136K	.29	1	2.30	.67	3.50	11650	270,000	430,000	1200
170mm	23138K	.30	1	2.30	.67	3.40	13320	305,000	490,000	1100
180mm	23140K	.35	1	2.00	.67	2.90	15100	300,000	510,000	900
200mm	23144K	.33	1	2.00	.67	3.00	17800	365,000	655,000	800
220mm	23148K	.33	1	2.10	.67	3.10	20710	415,000	735,000	750
9-7/16" 9-1/2" 240mm	23152K	.33	1	2.00	.67	3.00	19985	490,000	900,000	670
10-7/16" 10-1/2" 260mm	23156K	.32	1	2.10	.67	3.20	27571	530,000	980,000	630

FEATURES/BENEFITS PAGE B14-2	SPECIFICATIONS PAGE B14-5	HOW TO ORDER/NOMENCLATURE PAGE B14-8	DIMENSIONS PAGE B14-30
---------------------------------	------------------------------	---	---------------------------

Bearing Reference Guide

E-Family Roller Bearings

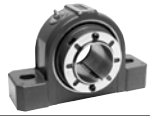
Specialty Tapered Products

S-2000

UNISPHERE II

IMPERIAL

UNIFIED SAF



IMPERIAL - Spherical Roller Bearing

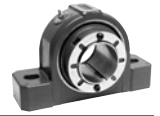
Table 3: ISAF Pillow Block Hydraulic - Spherical Roller Bearings (Continued)

Shaft Size Adapter Mounted Inches	Bearing Series	E	$F_A/F_R \leq e$		$F_A/F_R > e$		Adapter Maximum Allowable Thrust Load lbs. †	Dynamic Capacity (C) lbs.	Static Capacity (C ₀) lbs.	Maximum RPM
			X	Y	X	Y				
10-15/16" 11" 280mm	23160K	.33	1	2.10	.67	3.10	32373	600,000	1,110,000	600
11-15/16" 12" 300mm	23164K	.34	1	2.00	.67	2.90	37984	720,000	1,340,000	530
12-7/16" 12-1/2" 320mm	23168K	.34	1	2.00	.67	2.90	43568	830,000	1,560,000	500
13-7/16" 13-1/2" 340mm	23172K	.33	1	2.10	.67	3.10	45617	850,000	1,660,000	480
13-15/16" 14" 360mm	23176K	.32	1	2.10	.67	3.20	49719	915,000	1,830,000	450

† If the thrust load exceeds adapter maximum allowable thrust load, auxiliary methods or carrying thrust are required
23100K series bearings will be provided with metric housing only

FEATURES/BENEFITS PAGE B14-2	SPECIFICATIONS PAGE B14-5	HOW TO ORDER/NOMENCLATURE PAGE B14-8	DIMENSIONS PAGE B14-30
---------------------------------	------------------------------	---	---------------------------

SELECTION



IMPERIAL - Spherical Roller Bearing

Table 4: ISAF Large-Bore Hydraulic Assist Spherical Roller Bearings Selection Table

Shaft Size	Housing Designation	Bearing Series	Max RPM Grease Life	L ₁₀ Hours	Allowable Equivalent Radial Load Rating (lbs.) At Various RPM							
					50	100	150	200	250	300	400	500
22200K Series												
5-7/16"	532	22232K	1500	10,000	93,722	76,126	67,407	61,833	57,829	54,751	50,224	46,972
5-1/2"				30,000	67,407	54,751	48,480	44,472	41,592	39,378	36,122	33,783
140mm				60,000	54,751	44,472	39,378	36,122	33,783	31,985	29,340	27,441
5-15/16"	534	22234K	1300	10,000	108,140	87,837	77,777	71,346	66,726	63,175	57,591	54,199
6"				30,000	77,777	63,175	55,939	51,314	47,991	45,437	41,680	38,981
150mm				60,000	63,175	51,314	45,437	41,680	38,981	36,906	33,854	31,662
6-7/16"	536	22236K	1300	10,000	109,943	89,301	79,073	72,535	67,838	64,227	58,917	55,102
6-1/2"				30,000	79,073	64,227	56,871	52,169	48,791	46,194	42,374	39,631
160mm				60,000	64,227	52,169	46,194	42,374	39,631	37,521	34,419	32,190
6-15/16"	538	22238K	1200	10,000	97,326	79,053	69,999	64,211	60,054	56,857	52,156	48,779
7"				30,000	69,999	56,857	50,345	46,182	43,192	40,893	37,512	35,083
170mm				60,000	56,857	46,182	40,893	37,512	35,083	33,215	30,469	28,496
7-1/2"	544	22244K	950	10,000	131,571	106,869	94,629	86,804	81,184	76,862	70,507	65,942
7-15/16"				30,000	94,629	76,862	68,059	62,432	58,389	55,281	50,710	47,427
8"				60,000	76,862	62,432	55,281	50,710	47,427	44,902	41,190	38,522
23000K Series												
8-7/16"	048	23048K	800	10,000	93,722	76,126	67,407	61,833	57,829	54,751	50,224	46,972
8-1/2"				30,000	67,407	54,751	48,480	44,472	41,592	39,378	36,122	33,783
8-15/16"				60,000	54,751	44,472	39,378	36,122	33,783	31,985	29,340	27,441
9"	056	23056K	850	10,000	124,361	101,013	89,444	82,048	76,735	72,650	66,644	62,328
10-7/16"				30,000	89,444	72,651	64,330	59,010	55,190	52,252	47,932	44,828
10-1/2"				60,000	72,651	59,011	52,252	47,932	44,828	42,441	38,932	36,412
260mm	060	23060K	630	50,000	97,865	79,491	70,387	64,567	60,386	57,172	52,445	49,049
11"				80,000	84,995	69,037	61,130	56,076	52,445	49,653	45,548	42,598
280mm				100,000	79,491	64,567	57,172	52,445	49,049	46,438	42,598	39,840
12-7/16"	068	23068K	560	50,000	117,883	96,751	84,784	77,774	72,738	68,866	63,172	59,081
12-1/2"				80,000	102,380	83,158	73,634	67,546	63,172	59,809	54,864	51,312
320mm				100,000	94,751	77,774	68,866	63,172	59,081	55,937	51,312	47,989
13-15/16"	0076	23076K	500	50,000	126,780	102,977	91,183	83,643	78,227	74,064	67,940	64,323
14"				80,000	110,107	89,435	79,191	72,643	67,940	64,323	59,005	55,184
360mm				100,000	102,977	83,643	74,064	67,940	63,540	60,158	55,184	
15"	080	23080K	450	50,000	151,246	122,850	108,780	99,785	93,324	88,357	81,051	76,737
380mm				80,000	131,355	106,694	94,474	86,662	81,051	76,737	70,392	
				100,000	122,850	99,785	88,357	81,051	75,803	71,768	65,834	
23100K Series												
150mm	3134	23134K	1300	50,000	51,603	41,914	37,113	34,044	31,840	30,145	27,653	25,862
				80,000	44,815	36,401	32,232	29,567	27,653	26,181	24,485	22,461
				100,000	41,914	34,044	30,145	27,653	25,862	24,485	22,461	21,007
160mm	3136	23136K	1200	50,000	60,054	48,779	43,192	39,621	37,055	35,083	32,182	30,098
				80,000	52,156	42,364	37,512	34,410	32,182	30,469	27,950	26,140
				100,000	48,779	39,621	35,083	32,182	30,098	28,496	26,140	24,447
170mm	3138	23138K	1100	50,000	67,838	55,102	48,791	44,757	41,859	39,631	36,354	34,000
				80,000	58,917	47,855	42,374	38,871	36,354	34,419	31,573	29,528
				100,000	55,102	44,757	39,630	36,354	34,000	32,190	29,528	27,616
180mm	3140	23140K	900	50,000	66,726	54,199	47,991	44,023	41,172	38,981	35,758	33,442
				80,000	57,951	47,071	41,680	38,233	35,758	33,854	31,055	29,044
				100,000	54,199	44,023	38,981	35,758	33,442	31,662	29,044	27,164

FEATURES/BENEFITS PAGE B14-2	SPECIFICATIONS PAGE B14-5	HOW TO ORDER/NOMENCLATURE PAGE B14-8	DIMENSIONS PAGE B14-30
---------------------------------	------------------------------	---	---------------------------

Bearing Reference Guide

E-Family Roller Bearings

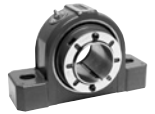
Specialty Tapered Products

S-2000

UNISPHERE II

IMPERIAL

UNIFIED SAF

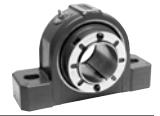


IMPERIAL - Spherical Roller Bearing

Table 4: ISAF Large-Bore Hydraulic Assist Spherical Roller Bearings Selection Table (Continued)

Shaft Size	Housing Designation	Bearing Series	Max RPM Grease Life	L ₁₀ Hours	Allowable Equivalent Radial Load Rating (lbs.) At Various RPM							
					550	600	650	700	750	950	1300	1500
22200K Series												
5-7/16"	532	22232K	1500	10,000	45,648	44,472	43,417	42,462	41,592	38,745	35,265	33,783
5-1/2"				30,000	32,831	31,985	31,226	30,540	29,914	27,866	25,364	24,298
140mm				60,000	26,667	25,980	25,364	24,806	24,298	22,364	20,602	19,736
5-15/16"	534	22234K	1300	10,000	52,671	51,314	50,096	48,995	47,991	44,706	40,691	
6"				30,000	37,882	36,906	36,030	35,238	34,518	32,153	29,266	
150mm				60,000	30,770	29,977	29,266	28,622	28,036	26,117	23,771	
6-7/16"	536	22236K	1300	10,000	53,549	52,169	50,931	49,811	48,791	45,451	41,369	
6-1/2"				30,000	38,513	37,521	36,631	35,825	35,092	32,689	29,753	
160mm				60,000	31,283	30,477	29,753	29,099	28,503	26,552	24,167	
6-15/16"	538	22238K	1200	10,000	47,404	46,182	45,087	44,095	43,192	40,235	36,622	
7"				30,000	34,094	33,215	32,427	31,714	31,065	28,938	26,339	
170mm				60,000	27,693	26,979	26,339	25,760	25,232	23,505	21,394	
7-1/2"	544	22244K	950	10,000	64,083	62,432	60,950	59,610	58,389	54,392		
7-15/16"				30,000	46,090	44,902	43,837	42,873	41,995	39,120		
200mm				60,000	37,427	36,472	35,607	34,824	34,110	31,775		
23000K Series												
8-7/16"	048	23048K	800	10,000	45,648	44,472	43,417	42,462	41,592	38,745		
8-1/2"				30,000	32,831	31,985	31,226	30,540	29,914	27,866		
8-15/16"				60,000	26,667	25,980	25,364	24,806	24,298	22,634		
9-15/16"	056	23056K	850	10,000	60,571	59,010	57,610	56,344	55,190			
10"				30,000	43,564	42,442	41,435	40,524	39,694			
10-7/16"				60,000	35,385	34,474	33,356	32,916				
10-1/2"	060	23060K	630	50,000	47,666	46,438	45,336					
11"				80,000	41,397	40,331	39,374					
280mm				100,000	38,717	37,719	36,284					
12-7/16"	068	23068K	560	50,000	57,416							
12-1/2"				80,000	49,665							
320mm				100,000	46,636							
13-15/16"	076	23076K	500	50,000								
14"				80,000								
360mm				100,000								
15"	080	23080K	450	50,000								
				80,000								
380mm				100,000								
23100K Series												
150mm	3134	23134K	1300	50,000	25,133	24,485	23,905	23,379	22,900	21,332	19,416	
				80,000	21,828	21,265	20,761	20,304	19,888	18,527	16,863	
				100,000	20,414	19,888	19,417	18,990	18,601	17,327	15,771	
160mm	3136	23136K	1200	50,000	29,250	28,496	27,820	27,208	26,651	24,826	22,597	
				80,000	25,403	24,748	24,161	23,630	23,146	21,561	19,625	
				100,000	23,758	23,146	22,597	22,100	21,647	20,165	18,354	
170mm	3138	23138K	1100	50,000	33,041	32,190	31,426	30,735	30,106	28,045	25,526	
				80,000	28,696	27,957	27,293	26,693	26,146	24,356	22,169	
				100,000	26,838	26,146	25,526	24,965	24,453	22,779	20,734	
180mm	3140	23140K	900	50,000	32,500	31,662	30,911	30,231	29,612	27,585		
				80,000	28,226	27,498	26,846	26,256	25,718	23,957		
				100,000	26,398	25,718	25,108	24,556	24,052	22,406		

FEATURES/BENEFITS PAGE B14-2	SPECIFICATIONS PAGE B14-5	HOW TO ORDER/NOMENCLATURE PAGE B14-8	DIMENSIONS PAGE B14-30
---------------------------------	------------------------------	---	---------------------------



IMPERIAL - Spherical Roller Bearing

Table 4: ISAF Large-Bore Hydraulic Assist Spherical Roller Bearings Selection Table (Continued)

Shaft Size	Housing Designation	Bearing Series	Max RPM Grease Life	L ₁₀ Hours	Allowable Equivalent Radial Load Rating (lbs.) At Various RPM							
					50	100	150	200	250	300	400	500
23100K Series (Continued)												
200mm	3144	23144K	800	50,000	81,184	65,942	58,389	53,561	50,093	47,427	43,505	40,688
				80,000	70,507	57,269	50,710	46,517	43,505	41,190	37,784	35,337
				100,000	65,942	53,561	47,427	43,505	40,688	38,522	35,337	33,049
220mm	3148	23148K	750	50,000	92,305	74,975	66,388	60,898	56,955	53,923	49,465	46,262
				80,000	80,165	65,115	57,657	52,889	49,465	46,832	42,960	40,178
				100,000	74,975	60,898	53,923	49,465	46,262	43,799	40,178	37,576
9-7/16"	3152	23152K	670	50,000	108,992	88,529	78,390	71,908	67,252	63,672	58,407	54,625
9-1/2"				80,000	94,658	76,886	68,080	62,451	58,407	55,299	50,726	47,442
240mm				100,000	88,529	71,908	63,672	58,407	54,625	51,718	47,442	44,370
10-7/16"	3156	23156K	630	50,000	117,883	95,751	84,784	77,774	72,738	68,866	63,172	59,081
10-1/2"				80,000	102,380	83,158	73,634	67,546	63,172	59,809	54,864	51,312
260mm				100,000	95,751	77,774	66,866	63,172	59,061	55,937	51,312	47,989
10-15/16"	3160	23160K	600	50,000	133,452	108,397	95,982	88,046	82,345	77,962	71,515	66,885
11"				80,000	115,902	94,142	83,359	76,467	71,515	67,709	62,110	58,089
280mm				100,000	108,397	88,046	77,962	71,515	66,885	63,325	58,089	54,327
11-15/16"	3164	23164K	530	50,000	160,143	130,076	115,178	105,655	98,814	93,554	85,818	80,262
12"				60,000	139,082	112,970	100,031	91,760	85,818	81,251	74,532	69,706
300mm				100,000	130,076	105,655	93,554	85,818	80,262	75,989	69,706	65,193
12-7/16"	3168	23168K	500	50,000	184,609	149,949	132,775	121,797	113,910	107,847	98,930	92,524
12-1/2"				80,000	160,331	130,229	115,314	105,779	98,930	93,664	85,919	80,356
320mm				100,000	149,949	121,797	107,847	96,930	92,524	87,599	80,356	75,153
13-7/16"	3172	23172K	480	50,000	189,058	153,562	135,975	124,732	116,655	110,446	101,313	94,753
13-1/2"				80,000	164,194	133,367	118,092	108,326	101,313	95,921	87,990	82,292
340mm				100,000	153,562	124,732	110,446	101,313	94,753	87,990	82,292	76,964
13-15/16"	3176	23176K	450	50,000	203,515	165,306	146,373	134,270	125,576	118,892	109,061	101,999
14"				80,000	176,750	143,566	127,123	116,612	109,061	103,256	94,718	88,585
360mm				100,000	165,306	134,270	118,892	109,061	101,999	96,570	88,585	82,649

FEATURES/BENEFITS PAGE B14-2	SPECIFICATIONS PAGE B14-5	HOW TO ORDER/NOMENCLATURE PAGE B14-8	DIMENSIONS PAGE B14-30
---------------------------------	------------------------------	---	---------------------------

Bearing Reference Guide

E-Family Roller Bearings

Specialty Tapered Products

S-2000

UNISPHERE II

IMPERIAL

UNIFIED SAF

SELECTION



IMPERIAL - Spherical Roller Bearing

Table 4: ISAF Large-Bore Hydraulic Assist Spherical Roller Bearings Selection Table (Continued)

Shaft Size	Housing Designation	Bearing Series	Max RPM Grease Life	L ₁₀ Hours	Allowable Equivalent Radial Load Rating (lbs.) At Various RPM							
					550	600	650	700	750	950	1300	1500
23100K Series (Continued)												
200mm	3144	23144K	800	50,000	39,541	38,522	37,608	36,782	36,028			
				80,000	34,341	33,456	32,662	31,944	31,290			
				100,000	32,117	31,290	30,548	29,876	29,264			
220mm	3148	23148K	750	50,000	44,958	43,799	42,760	41,820	40,963			
				80,000	39,045	38,039	37,137	36,320	35,576			
				100,000	36,517	35,576	34,732	33,968	33,273			
9-7/16"	3152	23152K	670	50,000	53,086	51,718	50,491	49,381	48,369			
9-1/2"				80,000	46,104	44,916	43,851	42,886	42,008			
240mm				100,000	43,119	42,008	41,011	40,110	39,288			
10-7/16"	3156	23156K	630	50,000	57,416	55,937	54,609	53,409	52,315			
10-1/2"				80,000	49,865	48,580	47,426	46,385	45,435			
260mm				100,000	46,636	45,435	44,357	43,381	42,493			
10-15/16"	3160	23160K	600	50,000	64,999	63,325	61,822	60,463	59,224			
11"				80,000	56,451	54,997	53,692	52,511	51,436			
280mm				100,000	52,796	51,436	50,215	49,111	46,105			
11-15/16"	3164	23164K	530	50,000	77,999	75,989	74,186					
12"				60,000	67,741	65,996	64,430					
300mm				100,000	63,355	61,723	60,258					
12-7/16"	3168	23168K	500	50,000	89,916	87,599						
12-1/2"				80,000	78,091	76,079						
320mm				100,000	73,034	71,152						
13-7/16"	3172	23172K	480	50,000	92,062	89,710						
13-1/2"				80,000	79,972	77,912						
340mm				100,000	74,794	72,667						
13-15/16"	3176	23176K	450	50,000	99,124							
14"				80,000	86,086							
360mm				100,000	80,514							

Bearing Reference Guide

E-Family Roller Bearings

Specialty Tapered Products

S-2000

UNISPHERE II

IMPERIAL

UNIFIED SAF

FEATURES/BENEFITS PAGE B14-2	SPECIFICATIONS PAGE B14-5	HOW TO ORDER/NOMENCLATURE PAGE B14-8	DIMENSIONS PAGE B14-30
---------------------------------	------------------------------	---	---------------------------



IMPERIAL - IP Spherical Roller Bearings

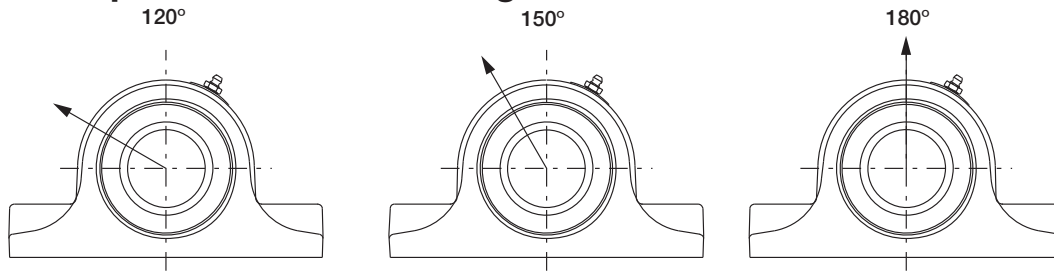


Table 5: IMPERIAL-IP 2-Bolt Pillow Block Housing Ratings*

Bore Size	Maximum Recommended Housing Cap Loads, lb		
	120°	150°	180°
1-1/8 to 1-1/2	2110	2640	3100
1-5/8 to 1-3/4	2380	2980	3500
1-7/8 to 2	3130	3910	4600
2-3/16 to 2-1/4	3330	4160	4900
2-3/8 to 2-1/2	3330	4160	4900
2-11/16 to 3	4420	5520	6500
3-3/16 to 3-1/2	4620	5780	6800
3-11/16 to 4	7500	9350	11000

Table 6: IMPERIAL-IP 4-Bolt Pillow Housing Ratings*

Bore Size	Maximum Recommended Housing Cap Loads, lb		
	120°	150°	180°
2-3/8 to 2-1/2	3810	4760	5600
2-11/16 to 3	4620	5780	6800
3-3/16 to 3-1/2	4700	5870	6900
3-11/16 to 4	7500	9350	11000
4-7/16 to 4-1/2	9900	12330	14500
4-15/16 to 5	13400	16750	19700

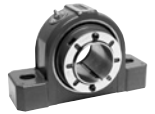
Table 7: IMPERIAL-ISN*

Bore Size	Maximum Recommended Housing Cap Loads, kN		
	120°	150°	180°
507			
508	9.4	11.7	13.8
509			
510	10.6	13.3	15.6
511	13.9	17.4	20.5
512	14.8	18.5	21.8
513			
515	14.8	18.5	21.8
516			
517	19.7	24.6	28.9
518			
519	20.6	25.7	30.2
520			
522	33.4	41.6	48.9
524	44	54.8	64.5
526			
528	59.6	74.5	87.6
530	67.2	84.1	99.0
532	89.8	112.5	132.3

* When utilizing heavy cap loads on pillow block housings; the installation must adhere to the following procedures:

1. The pillow block base bolts must be of high strength (Grade 8 or Class 10.9) bolts and properly tightened to mounting structure.
2. Stop bars (shear strips) should be used against the plummer block where side loads are encountered.
3. In all cases where loads are heavy, the L_{10} life of the bearing should be checked for proper selection and life requirements.

FEATURES/BENEFITS PAGE B14-2	SPECIFICATIONS PAGE B14-5	HOW TO ORDER/NOMENCLATURE PAGE B14-8	DIMENSIONS PAGE B14-30
---------------------------------	------------------------------	---	---------------------------



Imperial-HD

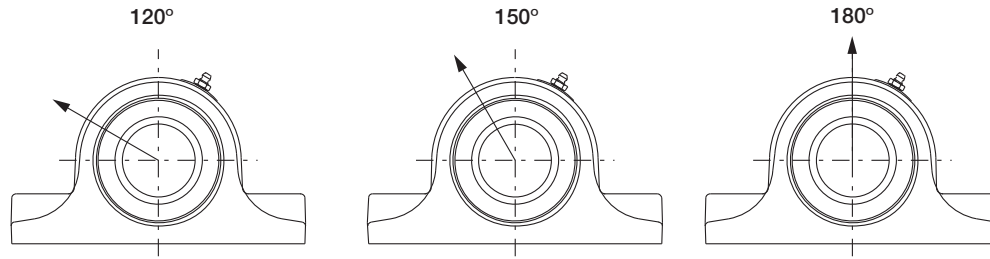


Table 8: Steel Housed Imperial - Housing Ratings*

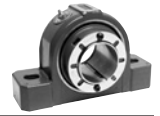
Shaft Sizes	Basic Bearing Description	Maximum Recommended Housing Loads, lb	
		P2B	P4B
1-1/8 1-3/16 1-1/4 1-3/8 1-7/16 1-1/2	22208	24400	
1-1/2** 1-5/8 1-11/16 1-3/4	22209	26400	
1-3/4** 1-15/16 2	22210	30200	
2-3/16 2-1/4	22211	35400	
2-1/4** 2-3/8 2-7/16 2-1/2	22213	51300	52800
2-11/16 2-3/4 2-15/16 3	22215	59700	60000
3-3/16 3-1/4 3-7/16 3-1/2	22218	90700	95500
3-11/16 3-15/16 4	22220		115000
4-7/16 4-1/2	22222		152100
4-15/16 5	22226		188200

* It is important to note that the values listed above are housing fracture loads from various applied directions. These loads may exceed bearing, mounting bolt and/or shaft capacities. Applications subject to heavy housing loads, particularly shock loads, must adhere to the following procedures:

- (1) The pillow block base bolts must be of high strength (Grade 8) bolts and properly tightened to mounting structure.
- (2) Stop bars (shear strips) should be used against the plummer block where side loads are encountered.
- (3) In all cases where loads are heavy, the L_{10} life of the bearing should be checked for proper selection and life requirements.,

** Imperial - Type E Dimensional Housing

FEATURES/BENEFITS PAGE B14-2	SPECIFICATIONS PAGE B14-5	HOW TO ORDER/NOMENCLATURE PAGE B14-8	DIMENSIONS PAGE B14-30
---------------------------------	------------------------------	---	---------------------------



IMPERIAL - ISAF Spherical Roller Bearings

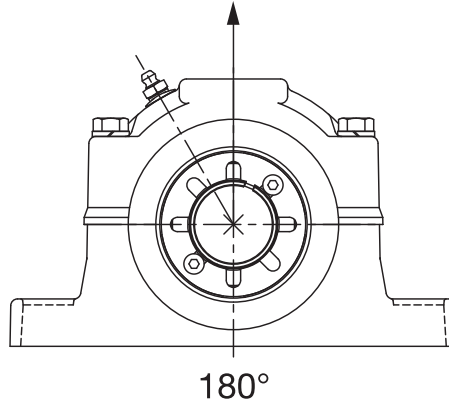
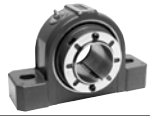


Table 9: ISAF Housing Rating*

Shaft Size (Inches)	Maximum Recommended Housing Cap Loads, Lbs
	180°
1-1/8 thru 1-1/2	4,600
1-5/8 thru 1-3/4	5,400
1-7/8 thru 2	7,875
2-3/16 thru 2-1/4	9,200
2-3/8 thru 2-1/2	9,220
2-11/16 thru 3	10,200
3-3/8 thru 3-1/2	14,700
3-11/16 thru 4	17,800
4-7/16 thru 4-1/2	18,300
4-15/16 thru 5	22,300
5-7/16 thru 5-1/2	25,100
5-15/16 thru 6	30,200
6-7/16 thru 7	35,300

* When utilizing heavy cap loads on pillow block housings; the installation must adhere to the following procedures:

1. The pillow block base bolts must be of high strength (Grade 8) bolts and properly tightened to mounting structure.
2. Stop bars (shear strips) should be used against the plummer block where side loads are encountered.
3. In all cases where loads are heavy, the L_{10} life of the bearing should be checked for proper selection and life requirements.



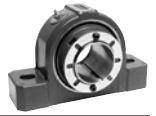
IMPERIAL - ISAF Spherical Roller Bearings

**Table 10: Definition Of Operating Conditions
For Unitized Spherical Roller Bearings**

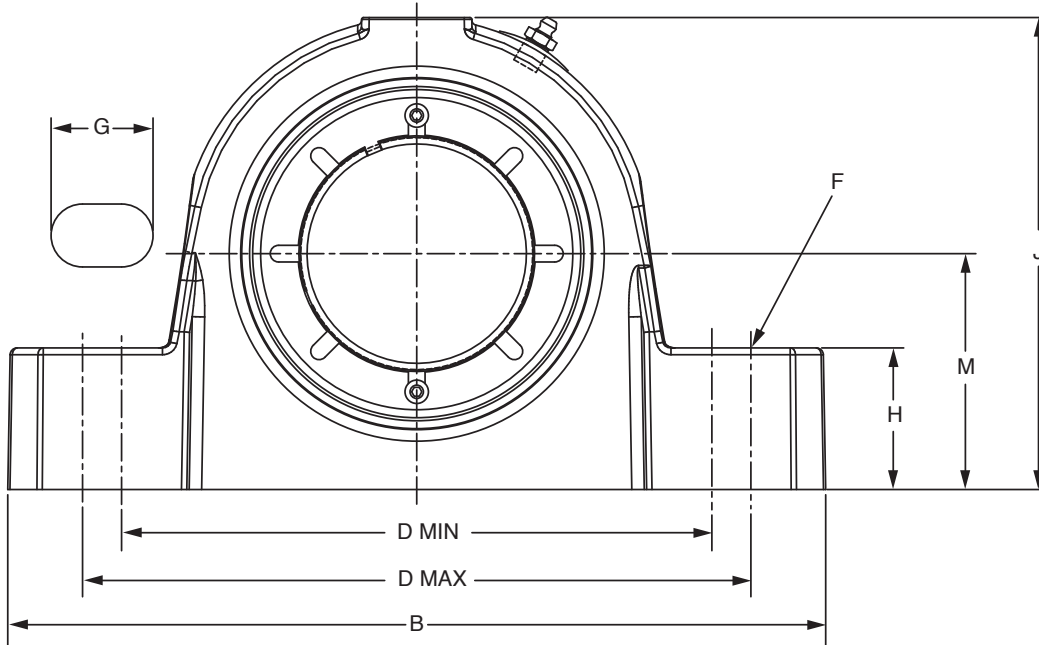
LOW SPEED MEDIUM SPEED HIGH SPEED	UP TO 20% OF MAX. RPM (TABLE 1 AND/OR TABLE 3) OVER 20% TO 80% OF MAX. RPM OVER 80% OF MAX. RPM
LIGHT LOAD NORMAL LOAD HEAVY LOAD	UP TO 8% OF C (TABLE 1 AND/OR TABLE 3) OVER 8% TO 18% OF C OVER 18% OF C C - DYNAMIC CAPACITY
LOW TEMPERATURE MEDIUM TEMPERATURE HIGH TEMPERATURE	20°F TO -100°F OVER 20°F TO 200°F OVER 200°F TO 250°F

FEATURES/BENEFITS PAGE B14-2	SPECIFICATIONS PAGE B14-5	HOW TO ORDER/NOMENCLATURE PAGE B14-8	DIMENSIONS PAGE B14-30
---------------------------------	------------------------------	---	---------------------------

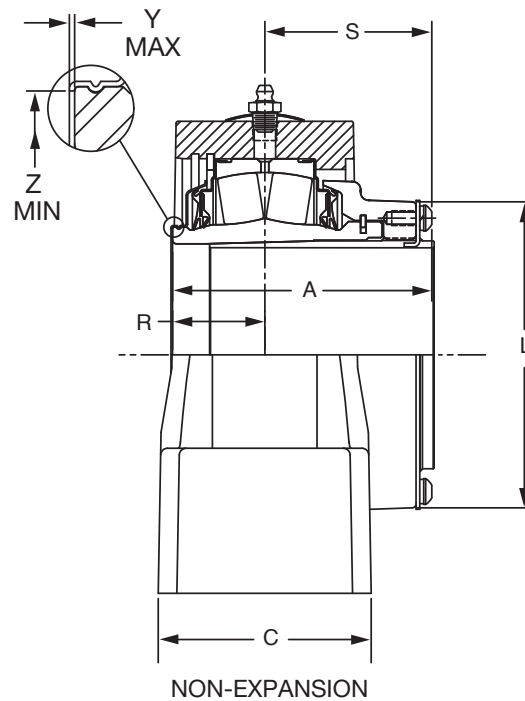
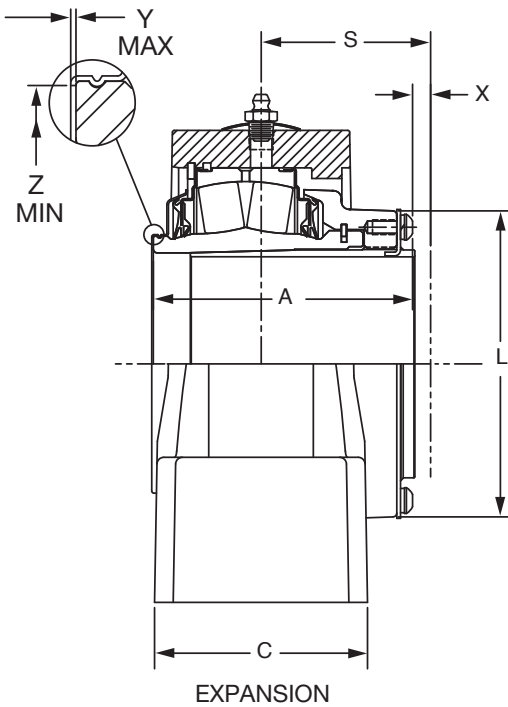
DIMENSIONS



IMPERIAL - IP Pillow Block 1-1/8 THRU 2-1/4 INCH - 2-BOLT

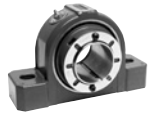


NOTE: All sizes use a 1/8-27 NPT hydraulic grease fitting



NOTE: See page B14-32 for 2-3/8 - 4 inch

FEATURES/BENEFITS PAGE B14-2	SPECIFICATIONS PAGE B14-5	HOW TO ORDER/NOMENCLATURE PAGE B14-8	SELECTION PAGE B14-14
---------------------------------	------------------------------	---	--------------------------



DIMENSIONS

IMPERIAL - IP Pillow Block 1-1/8 THRU 2-1/4 INCH - 2-BOLT

Bearing Reference Guide

E-Family Roller Bearings

Specialty Tapered Products

S-2000

UNISPHERE II

IMPERIAL

UNIFIED SAF

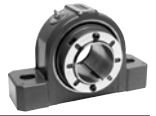
Bearing	Shaft Size Inch	TRIDENT Seal				Labyrinth Seal			
		Non-Expansion		Expansion		Non-Expansion		Expansion	
		Part No.	Part Name	Part No.	Part Name	Part No.	Part Name	Part No.	Part Name
22208	1-1/8	069400	P2B-IP-102R	069428	P2B-IP-102RE	069456	P2B-IP-102L	069484	P2B-IP-102LE
	1-3/16	069401	P2B-IP-103R	069429	P2B-IP-103RE	069457	P2B-IP-103L	069485	P2B-IP-103LE
	1-1/4	069402	P2B-IP-104R	069430	P2B-IP-104RE	069458	P2B-IP-104L	069486	P2B-IP-104LE
	1-3/8	069403	P2B-IP-106R	069431	P2B-IP-106RE	069459	P2B-IP-106L	069487	P2B-IP-106LE
	1-7/16	069404	P2B-IP-107R	069432	P2B-IP-107RE	069460	P2B-IP-107L	069488	P2B-IP-107LE
	1-1/2	069405	P2B-IP-108R	069433	P2B-IP-108RE	069461	P2B-IP-108L	069489	P2B-IP-108LE
22209	1- 5/8	069406	P2B-IP-110R	069434	P2B-IP-110RE	069462	P2B-IP-110L	069490	P2B-IP-110LE
	1-11/16	069407	P2B-IP-111R	069435	P2B-IP-111RE	069463	P2B-IP-111L	069491	P2B-IP-111LE
	1-3/4	069408	P2B-IP-112R	069436	P2B-IP-112RE	069464	P2B-IP-112L	069492	P2B-IP-112LE
22210	1-7/8	069409	P2B-IP-114R	069437	P2B-IP-114RE	069465	P2B-IP-114L	069493	P2B-IP-114LE
	1-15/16	069410	P2B-IP-115R	069438	P2B-IP-115RE	069466	P2B-IP-115L	069494	P2B-IP-115LE
	2	069411	P2B-IP-200R	069439	P2B-IP-200RE	069467	P2B-IP-200L	069495	P2B-IP-200LE
22211	2-3/16	069412	P2B-IP-203R	069440	P2B-IP-203RE	069468	P2B-IP-203L	069496	P2B-IP-203LE
	2 -1/4	069413	P2B-IP-204R	069441	P2B-IP-204RE	069469	P2B-IP-204L	069497	P2B-IP-204LE

Metric shaft sizes available upon request

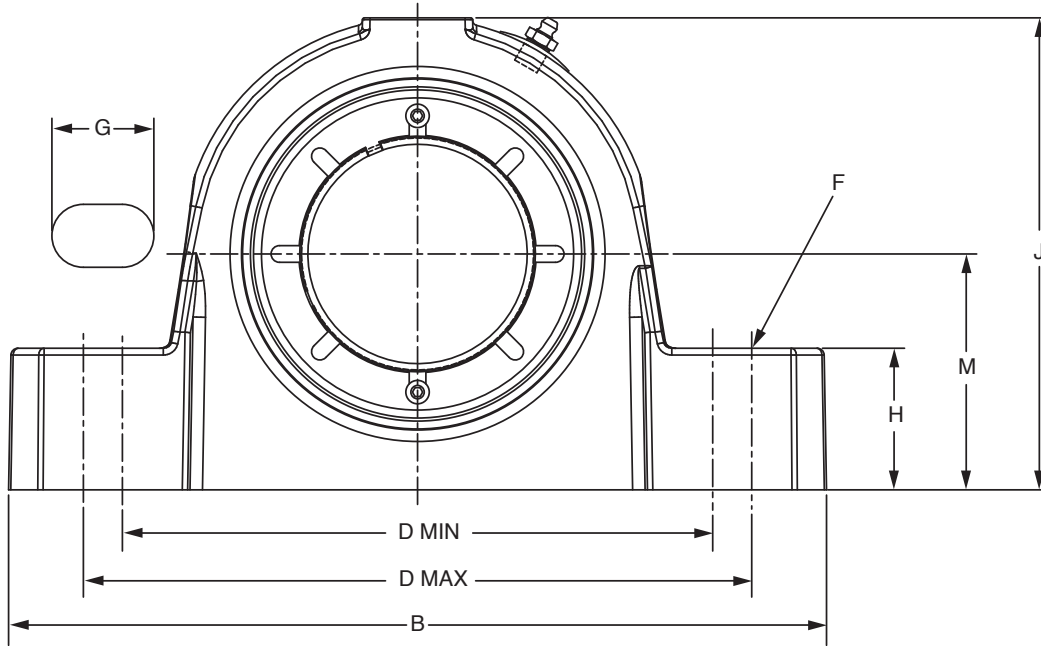
Shaft Size	A	B	C	D		F Bolt Dia.	G	H	J	L	M	R	S	X Total Exp.	Y	Z
				Min	Max											
1-1/8	2.63	6.80	1.95	4.81	5.20	1/2	0.81	1.13	3.88	2.72	1.88	0.88	1.75	3/16	0.02	1.80
1-3/16																
1-1/4																
1-3/8																
1-7/16																
1-1/2																
1- 5/8	2.81	7.38	2.06	5.31	5.70	1/2	0.81	1.25	4.27	3.00	2.13	0.81	2.00	1/4	0.02	2.08
1-11/16																
1-3/4																
1-7/8	2.86	8.38	2.50	6.06	6.44	5/8	0.95	1.31	4.56	3.28	2.25	0.86	2.00	1/4	0.02	2.30
1-15/16																
2																
2-3/16	3.03	8.88	2.63	6.56	6.94	5/8	0.95	1.50	5.00	3.50	2.50	0.91	2.13	1/4	0.03	2.60
2 -1/4																

FEATURES/BENEFITS PAGE B14-2	SPECIFICATIONS PAGE B14-5	HOW TO ORDER/NOMENCLATURE PAGE B14-8	SELECTION PAGE B14-14
---------------------------------	------------------------------	---	--------------------------

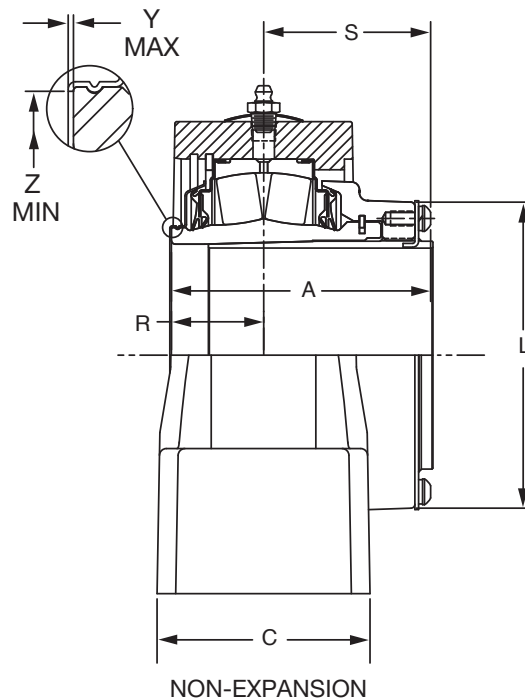
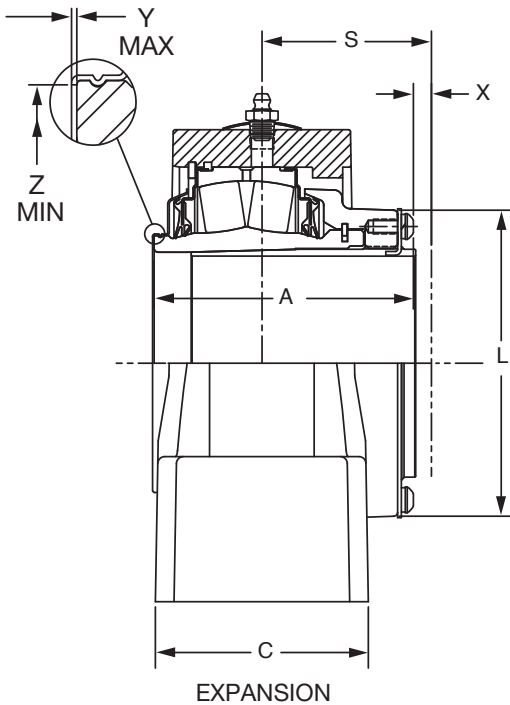
DIMENSIONS



IMPERIAL - IP Pillow Block 2-3/8 THRU 4 INCH - 2-BOLT

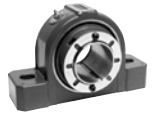


NOTE: All sizes use a 1/8-27 NPT hydraulic grease fitting



NOTE: See page B14-30 for 1-1/8 thru 2-1/4 inch

FEATURES/BENEFITS PAGE B14-2	SPECIFICATIONS PAGE B14-5	HOW TO ORDER/NOMENCLATURE PAGE B14-8	SELECTION PAGE B14-14
---------------------------------	------------------------------	---	--------------------------



DIMENSIONS

IMPERIAL - IP Pillow Block 2-3/8 THRU 4 INCH - 2-BOLT

Bearing Reference Guide

E-Family Roller Bearings

Specialty Tapered Products

S-2000

UNISPHERE II

IMPERIAL

UNIFIED SAF

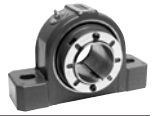
Bearing	Shaft Size Inch	TRIDENT Seal				Labyrinth Seal			
		Non-Expansion		Expansion		Non-Expansion		Expansion	
		Part No.	Part Name	Part No.	Part Name	Part No.	Part Name	Part No.	Part Name
22213	2-3/8	069414	P2B-IP-206R	069442	P2B-IP-206RE	069470	P2B-IP-206L	069498	P2B-IP-206LE
	2-7/16	069415	P2B-IP-207R	069443	P2B-IP-207RE	069471	P2B-IP-207L	069499	P2B-IP-207LE
	2-1/2	069416	P2B-IP-208R	069444	P2B-IP-208RE	069472	P2B-IP-208L	069500	P2B-IP-208LE
22215	2-11/16	069417	P2B-IP-211R	069445	P2B-IP-211RE	069473	P2B-IP-211L	069501	P2B-IP-211LE
	2-3/4	069418	P2B-IP-212R	069446	P2B-IP-212RE	069474	P2B-IP-212L	069502	P2B-IP-212LE
	2-15/16	069419	P2B-IP-215R	069447	P2B-IP-215RE	069475	P2B-IP-215L	069503	P2B-IP-215LE
	3	069420	P2B-IP-300R	069448	P2B-IP-300RE	069476	P2B-IP-300L	069504	P2B-IP-300LE
22218	3-3/16	069421	P2B-IP-303R	069449	P2B-IP-303RE	069477	P2B-IP-303L	069505	P2B-IP-303LE
	3-1/4	069422	P2B-IP-304R	069450	P2B-IP-304RE	069478	P2B-IP-304L	069506	P2B-IP-304LE
	3-7/16	069423	P2B-IP-307R	069451	P2B-IP-307RE	069479	P2B-IP-307L	069507	P2B-IP-307LE
	3-1/2	069424	P2B-IP-308R	069452	P2B-IP-308RE	069480	P2B-IP-308L	069508	P2B-IP-308LE
22220	3-11/16	069425	P2B-IP-311R	069453	P2B-IP-311RE	069481	P2B-IP-311L	069509	P2B-IP-311LE
	3-15/16	069426	P2B-IP-315R	069454	P2B-IP-315RE	069482	P2B-IP-315L	069510	P2B-IP-315LE
	4	069427	P2B-IP-400R	069455	P2B-IP-400RE	069483	P2B-IP-400L	069511	P2B-IP-400LE

Metric shaft sizes available upon request

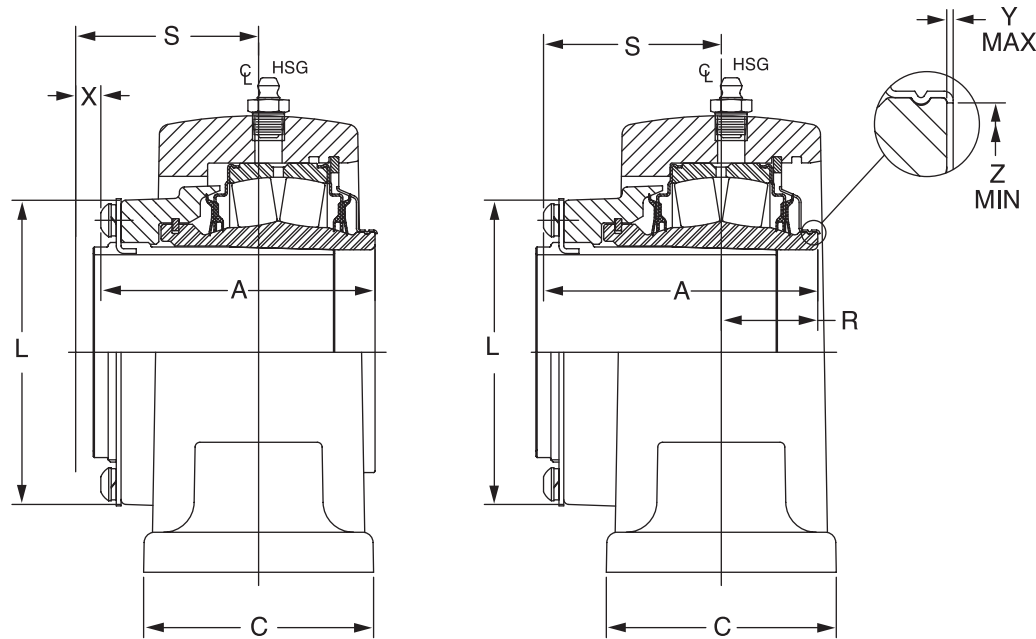
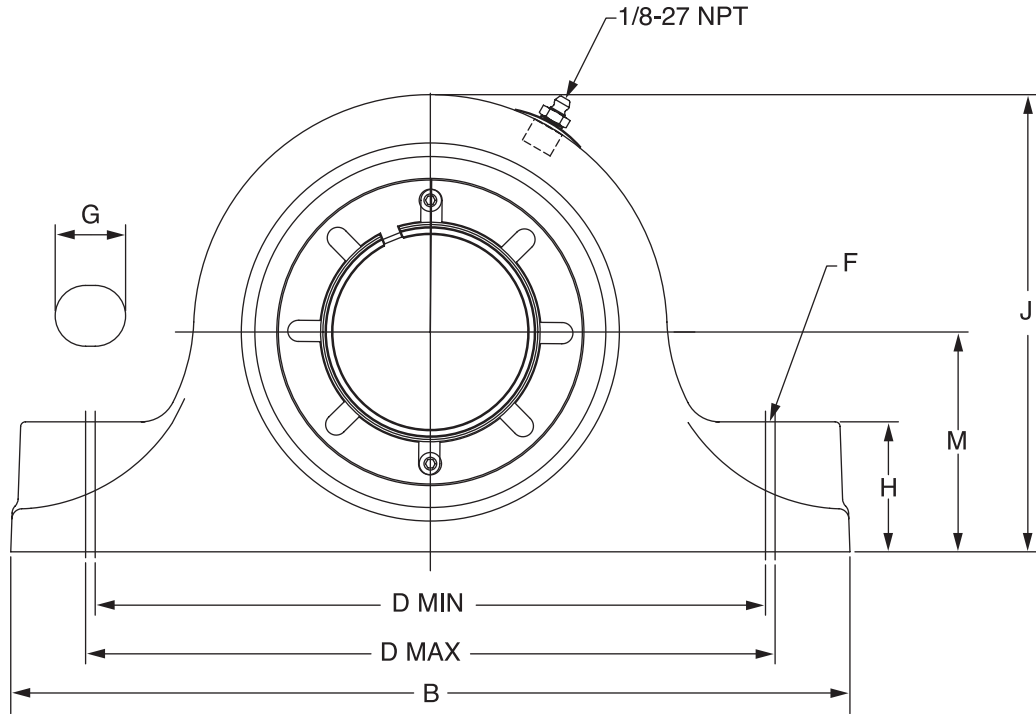
Shaft Size	A	B	C	D		F Bolt Dia.	G	H	J	L	M	R	S	X Total Exp.	Y	Z
				Min	Max											
2-3/8																
2-7/16	3.42	9.25	2.86	6.94	7.31	5/8	0.95	1.63	5.59	3.88	2.75	1.20	2.22	1/4	0.03	2.94
2-1/2																
2-11/16																
2-3/4	3.50	10.44	3.08	7.94	8.31	3/4	1.06	1.88	6.38	4.28	3.25	1.23	2.27	1/4	0.03	3.47
2-15/16																
3																
3-3/16																
3-1/4	4.17	13.00	3.42	9.38	10.63	7/8	1.63	2.25	7.50	5.00	3.75	1.48	2.69	1/4	0.03	4.05
3-7/16																
3-1/2																
3-11/16																
3-15/16	4.70	15.25	3.91	10.63	12.80	1	2.25	2.44	8.38	5.56	4.25	1.64	3.06	5/16	0.03	4.50
4																

FEATURES/BENEFITS PAGE B14-2	SPECIFICATIONS PAGE B14-5	HOW TO ORDER/NOMENCLATURE PAGE B14-8	SELECTION PAGE B14-14
---------------------------------	------------------------------	---	--------------------------

DIMENSIONS



IMPERIAL - IP Pillow Block with Type E Dimensions 1-3/8 THRU 2-3/16 INCH 2-BOLT

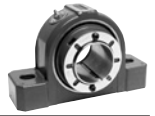


EXPANSION

NON-EXPANSION

NOTE: See page B14-36 for 2-1/4 thru 3-1/2 inch

FEATURES/BENEFITS PAGE B14-2	SPECIFICATIONS PAGE B14-5	HOW TO ORDER/NOMENCLATURE PAGE B14-8	SELECTION PAGE B14-14
---------------------------------	------------------------------	---	--------------------------



DIMENSIONS

IMPERIAL - IP Pillow Block with Type E Dimensions 1-3/8 THRU 2-3/16 INCH 2-BOLT

Bearing Series	Shaft Size*	TRIDENT Seal				Labyrinth Seal			
		Non-Expansion		Expansion		Non-Expansion		Expansion	
		Part No.	Part Name	Part No.	Part Name	Part No.	Part Name	Part No.	Part Name
22208	1- 3/8	071120	EP2B-IP-106R	071141	EP2B-IP-106RE	071162	EP2B-IP-106L	071183	EP2B-IP-106LE
	1-7/16	071121	EP2B-IP-107R	071142	EP2B-IP-107RE	071163	EP2B-IP-107L	071184	EP2B-IP-107LE
22209	1-1/2	071122	EP2B-IP-108R	071143	EP2B-IP-108RE	071164	EP2B-IP-108L	071185	EP2B-IP-108LE
	1-5/8	071123	EP2B-IP-110R	071144	EP2B-IP-110RE	071165	EP2B-IP-110L	071186	EP2B-IP-110LE
	1-11/16	071124	EP2B-IP-111R	071145	EP2B-IP-111RE	071166	EP2B-IP-111L	071187	EP2B-IP-111LE
22210	1-3/4	071125	EP2B-IP-112R	071146	EP2B-IP-112RE	071167	EP2B-IP-112L	071188	EP2B-IP-112LE
	1-7/8	071126	EP2B-IP-114R	071147	EP2B-IP-114RE	071168	EP2B-IP-114L	071189	EP2B-IP-114LE
	1-15/16	071127	EP2B-IP-115R	071148	EP2B-IP-115RE	071169	EP2B-IP-115L	071190	EP2B-IP-115LE
	2	071128	EP2B-IP-200R	071149	EP2B-IP-200RE	071170	EP2B-IP-200L	071191	EP2B-IP-200LE
22211	2-3/16	071129	EP2B-IP-203R	071150	EP2B-IP-203RE	071171	EP2B-IP-203L	071192	EP2B-IP-203LE

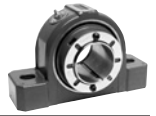
*Consult Dodge For Sizes Not Listed

Shaft Size	A	B #	C #	D		F Bolt Dia.	G #	H #	J #	L	M	R	S	X Total Exp.	Y	Z
				Min	Max											
1-3/8 1-7/16	2.63	7.37	2.12	5.63	5.88	1/2	0.75	1.13	3.85	2.72	1.875	1.04	1.59	5/32	0.02	1.80
1-1/2 1-5/8 1-11/16	2.81	7.88	2.38	6.13	6.38	1/2	0.75	1.25	4.25	3.00	2.125	0.98	1.83	3/16	0.02	2.08
1-3/4 1-7/8 1-15/16 2	2.86	8.87	2.49	6.88	7.12	5/8	0.88	1.31	4.47	3.28	2.250	1.10	1.76	7/32	0.02	2.30
2-3/16	3.03	9.62	2.56	7.63	7.88	5/8	0.88	1.50	5.00	3.50	2.500	1.06	1.97	1/4	0.03	2.60

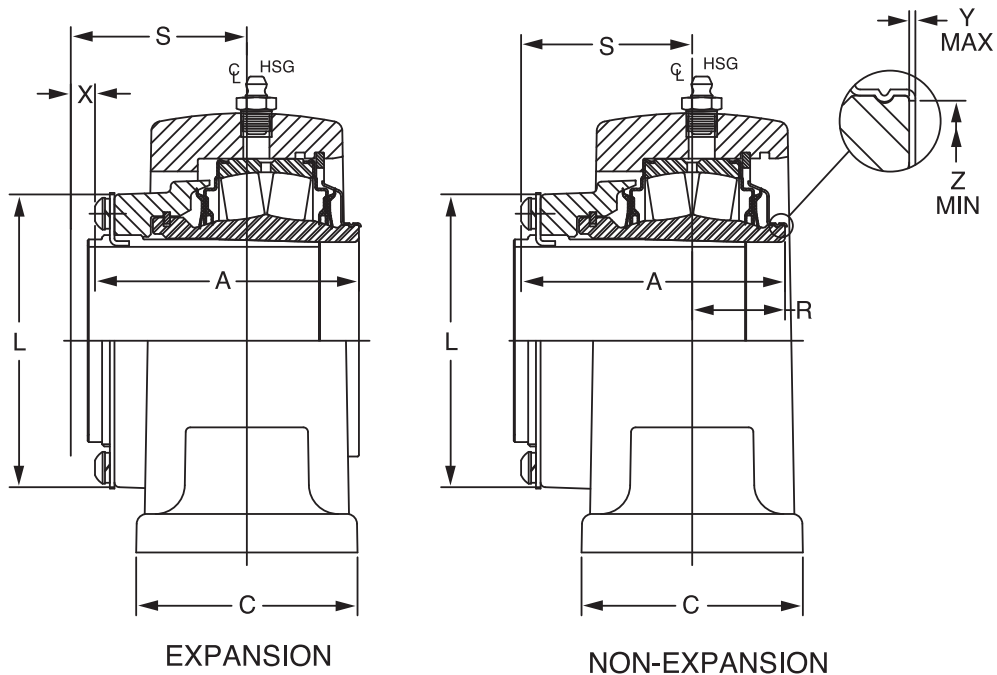
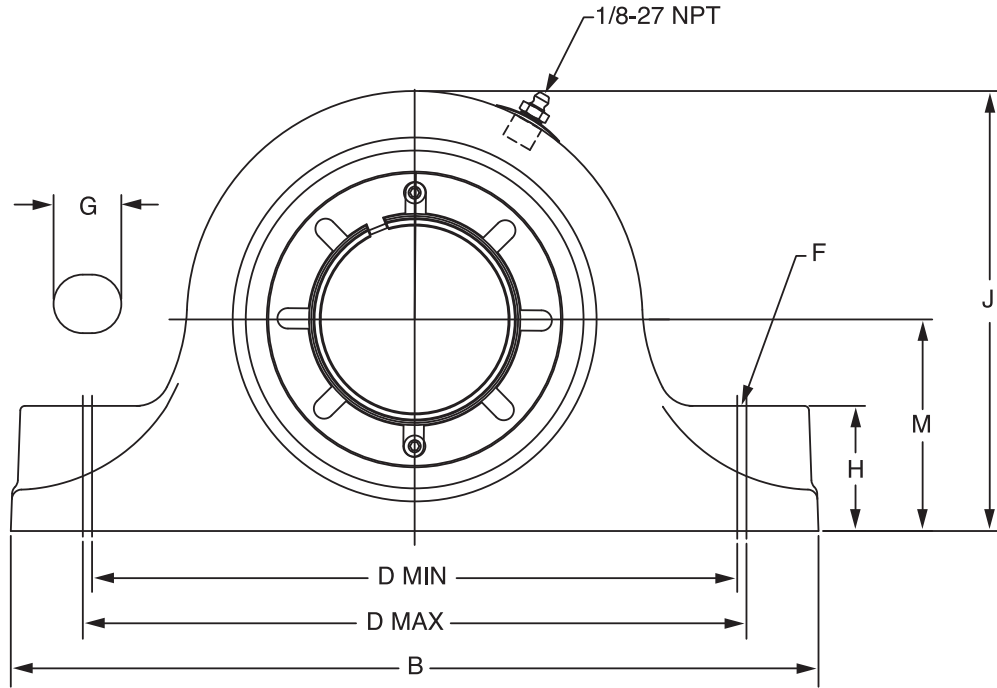
Notes: "A" And "R" Dimensions Do Not Include "Y" Dimension
Reference Dimension Only

FEATURES/BENEFITS PAGE B14-2	SPECIFICATIONS PAGE B14-5	HOW TO ORDER/NOMENCLATURE PAGE B14-8	SELECTION PAGE B14-14
---------------------------------	------------------------------	---	--------------------------

DIMENSIONS

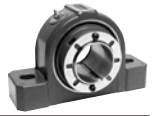


IMPERIAL - IP Pillow Block with Type E Dimensions 2-1/4 THRU 3-1/2 INCH 2-BOLT



NOTE: See page B14-34 for 1-3/8 thru 2-3/16 inch

FEATURES/BENEFITS PAGE B14-2	SPECIFICATIONS PAGE B14-5	HOW TO ORDER/NOMENCLATURE PAGE B14-8	SELECTION PAGE B14-14
---------------------------------	------------------------------	---	--------------------------



DIMENSIONS

IMPERIAL - IP Pillow Block with Type E Dimensions 2-1/4 THRU 3-1/2 INCH 2-BOLT

Bearing Reference Guide
 E-Family Roller Bearings
 Specialty Tapered Products
 S-2000
 UNISPHERE II
 IMPERIAL
 UNIFIED SAF

Bearing Series	Shaft Size*	TRIDENT Seal				Labyrinth SEAL			
		Non-Expansion		Expansion		Non-Expansion		Expansion	
		Part No.	Part Name	Part No.	Part Name	Part No.	Part Name	Part No.	Part Name
22213	2-1/4	071130	EP2B-IP-204R	071151	EP2B-IP-204RE	071172	EP2B-IP-204L	071193	EP2B-IP-204LE
	2-7/16	071131	EP2B-IP-207R	071152	EP2B-IP-207RE	071173	EP2B-IP-207L	071194	EP2B-IP-207LE
	2-1/2	071132	EP2B-IP-208R	071153	EP2B-IP-208RE	071174	EP2B-IP-208L	071195	EP2B-IP-208LE
22215	2-11/16	071133	EP2B-IP-211R	071154	EP2B-IP-211RE	071175	EP2B-IP-211L	071196	EP2B-IP-211LE
	2-3/4	071134	EP2B-IP-212R	071155	EP2B-IP-212RE	071176	EP2B-IP-212L	071197	EP2B-IP-212LE
	2-15/16	071135	EP2B-IP-215R	071156	EP2B-IP-215RE	071177	EP2B-IP-215L	071198	EP2B-IP-215LE
	3	071136	EP2B-IP-300R	071157	EP2B-IP-300RE	071178	EP2B-IP-300L	071199	EP2B-IP-300LE
22218	3-3/16	071137	EP2B-IP-303R	071158	EP2B-IP-303RE	071179	EP2B-IP-303L	071200	EP2B-IP-303LE
	3-1/4	071138	EP2B-IP-304R	071159	EP2B-IP-304RE	071180	EP2B-IP-304L	071201	EP2B-IP-304LE
	3-7/16	071139	EP2B-IP-307R	071160	EP2B-IP-307RE	071181	EP2B-IP-307L	071202	EP2B-IP-307LE
	3-1/2	071140	EP2B-IP-308R	071161	EP2B-IP-308RE	071182	EP2B-IP-308L	071203	EP2B-IP-308LE

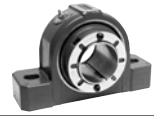
*Consult Dodge For Sizes Not Listed

Shaft Size	A	B #	C #	D		F Bolt Dia.	G #	H #	J #	L	M	R	S	X Total Exp.	Y	Z
				Min	Max											
2-1/4 2-7/16 2-1/2	3.42	10.50	2.87	8.38	8.62	5/8	0.88	1.63	5.71	3.88	2.750	1.20	2.22	1/4	0.03	2.95
2-11/16 2-3/4 2-15/16 3	3.50	12.00	2.99	9.31	9.69	3/4	1.07	1.88	6.32	4.28	3.125	1.35	2.15	1/4	0.03	3.47
3-3/16 3-1/4 3-7/16 3-1/2	4.17	14.00	3.49	10.81	11.19	7/8	1.19	2.25	7.69	5.00	3.750	1.51	2.66	1/4	0.03	4.05

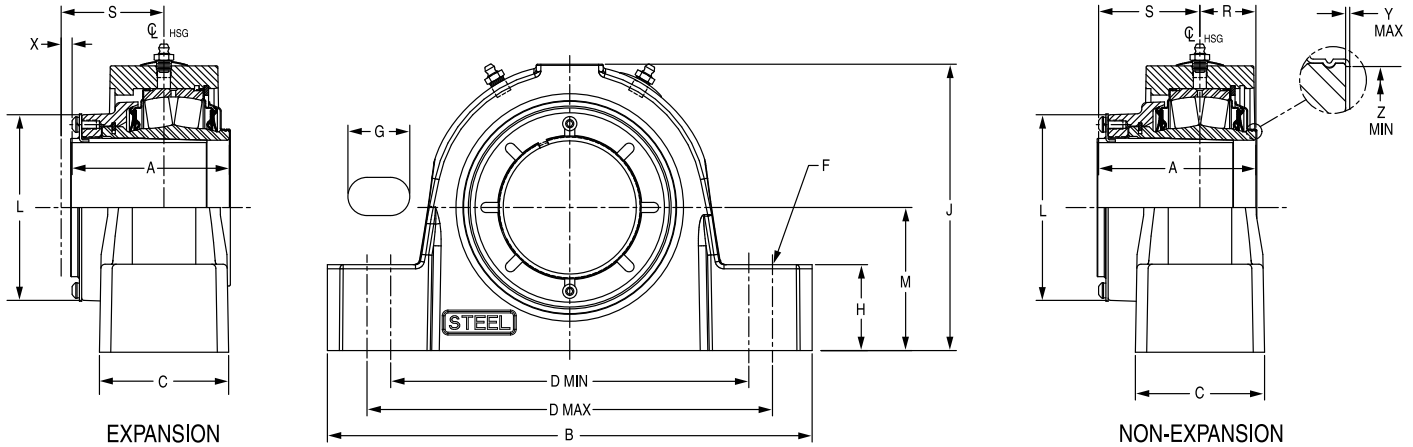
Notes: "A" And "R" Dimensions Do Not Include "Y" Dimension
Reference Dimension Only

FEATURES/BENEFITS PAGE B14-2	SPECIFICATIONS PAGE B14-5	HOW TO ORDER/NOMENCLATURE PAGE B14-8	SELECTION PAGE B14-14
---------------------------------	------------------------------	---	--------------------------

DIMENSIONS



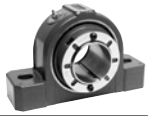
Steel IMPERIAL-HD Pillow Block 2-Bolt



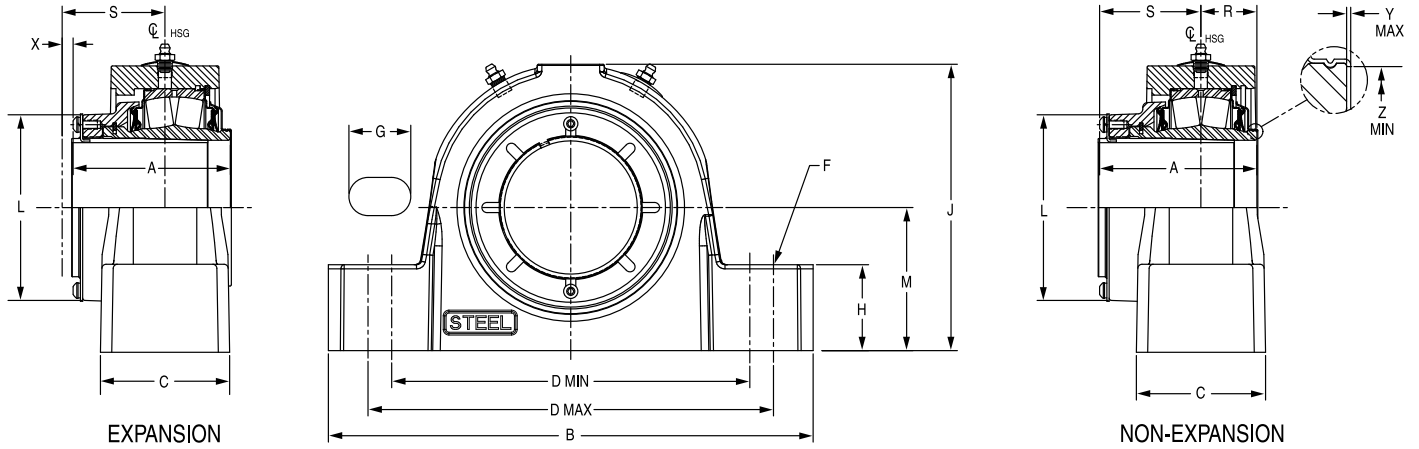
Shaft Size	Dodge Non-Expansion		Dodge Expansion	
	Part No.	Description	Part No.	Description
1-1/8	071650	SP2B-IP-102R	071678	SP2B-IP-102RE
1-3/16	071651	SP2B-IP-103R	071679	SP2B-IP-103RE
1-1/4	071652	SP2B-IP-104R	071680	SP2B-IP-104RE
1-3/8	071653	SP2B-IP-106R	071681	SP2B-IP-106RE
1-7/16	071654	SP2B-IP-107R	071682	SP2B-IP-107RE
1-1/2	071655	SP2B-IP-108R	071683	SP2B-IP-108RE
1-5/8	071656	SP2B-IP-110R	071684	SP2B-IP-110RE
1-11/16	071657	SP2B-IP-111R	071685	SP2B-IP-111RE
1-3/4	071658	SP2B-IP-112R	071686	SP2B-IP-112RE
1-7/8	071659	SP2B-IP-114R	071687	SP2B-IP-114RE
1-15/16	071660	SP2B-IP-115R	071688	SP2B-IP-115RE
2	071661	SP2B-IP-200R	071689	SP2B-IP-200RE
2-3/16	071662	SP2B-IP-203R	071690	SP2B-IP-203RE
2-1/4	071663	SP2B-IP-204R	071691	SP2B-IP-204RE
2-3/8	071664	SP2B-IP-206R	071692	SP2B-IP-206RE
2-7/16	071665	SP2B-IP-207R	071693	SP2B-IP-207RE
2-1/2	071666	SP2B-IP-208R	071694	SP2B-IP-208RE
2-11/16	071667	SP2B-IP-211R	071695	SP2B-IP-211RE
2-3/4	071668	SP2B-IP-212R	071696	SP2B-IP-212RE
2-15/16	071669	SP2B-IP-215R	071697	SP2B-IP-215RE
3	071670	SP2B-IP-300R	071698	SP2B-IP-300RE
3-3/16	071671	SP2B-IP-303R	071699	SP2B-IP-303RE
3-1/4	071672	SP2B-IP-304R	071700	SP2B-IP-304RE
3-7/16	071673	SP2B-IP-307R	071701	SP2B-IP-307RE
3-1/2	071674	SP2B-IP-308R	071702	SP2B-IP-308RE
3-11/16	071675	SP2B-IP-311R	071703	SP2B-IP-311RE
3-15/16	071676	SP2B-IP-315R	071704	SP2B-IP-315RE
4	071677	SP2B-IP-400R	071705	SP2B-IP-400RE

FEATURES/BENEFITS PAGE B14-2	SPECIFICATIONS PAGE B14-5	HOW TO ORDER/NOMENCLATURE PAGE B14-8	SELECTION PAGE B14-14
---------------------------------	------------------------------	---	--------------------------

DIMENSIONS



Steel IMPERIAL-HD Pillow Block 2-Bolt

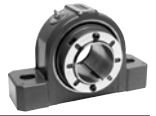


Shaft Size	A	B	C	D		F Bolt Dia.	G	H	J	L	M	R	S	X Total Exp	Y	Z
				Min	Max											
1-1/8 1-3/16 1-1/4 1-3/8 1-7/16 1-1/2	2.63	6.88	2.25	4.69	6.00	1/2	1.28	1.13	3.88	2.72	1.875	0.86	1.77	3/16	0.02	1.80
1-5/8 1-11/16 1-3/4	2.81	7.13	2.37	5.25	5.75	1/2	0.88	1.25	4.27	3.00	2.125	0.92	1.89	1/4	0.02	2.08
1-7/8 1-15/16 2	2.86	8.38	2.44	5.93	6.36	5/8	0.97	1.31	4.56	3.28	2.25	0.90	1.96	1/4	0.02	2.30
2-3/16 2-1/4	3.03	8.88	2.50	6.50	7.06	5/8	1.04	1.50	5.00	3.50	2.50	0.99	2.04	1/4	0.03	2.59
2-3/8 2-7/16 2-1/2	3.42	9.25	2.90	6.81	7.43	5/8	1.07	1.63	5.60	3.88	2.75	1.17	2.25	1/4	0.03	2.94
2-11/16 2-3/4 2-15/16 3	3.50	10.44	2.91	7.70	8.40	3/4	1.23	1.88	6.38	4.28	3.25	1.12	2.37	1/4	0.03	3.47
3-3/16 3-1/4 3-7/16 3-1/2	4.17	13.00	3.41	9.25	10.75	7/8	1.75	2.25	7.50	5.00	3.75	1.53	2.63	1/4	0.03	4.05
3-11/16 3-15/16 4	4.70	14.25	3.89	10.04	12.60	1	2.40	2.44	8.37	5.56	4.25	1.70	3.00	5/16	0.03	4.50

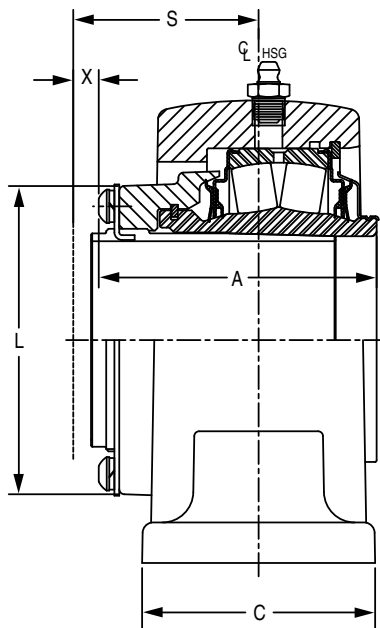
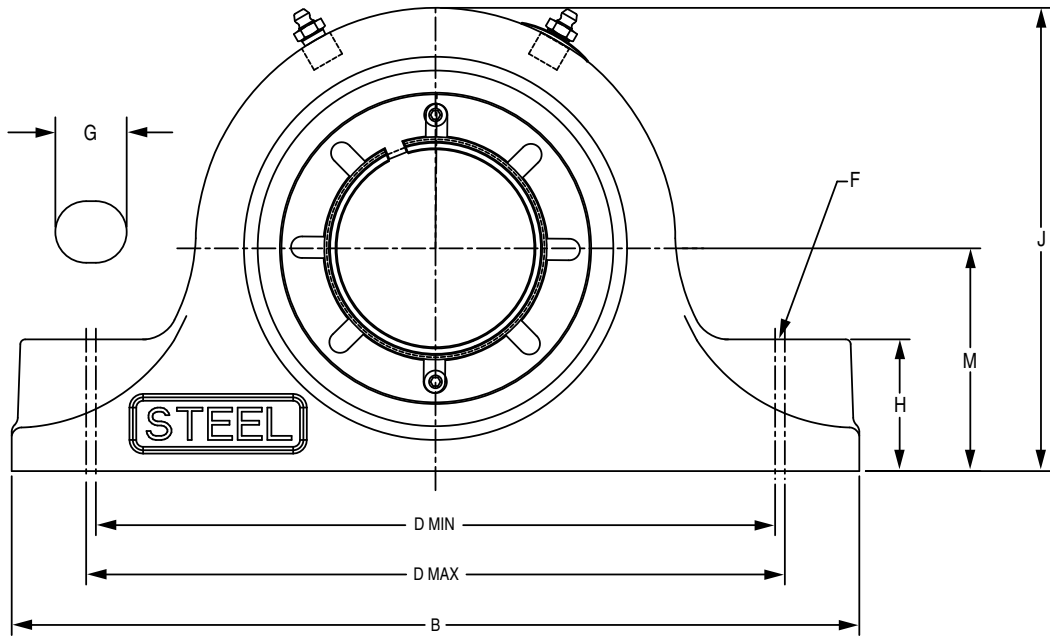
"A" & "R" Dimensions Do Not Include "Y" Dimension

FEATURES/BENEFITS PAGE B14-2	SPECIFICATIONS PAGE B14-5	HOW TO ORDER/NOMENCLATURE PAGE B14-8	SELECTION PAGE B14-14
---------------------------------	------------------------------	---	--------------------------

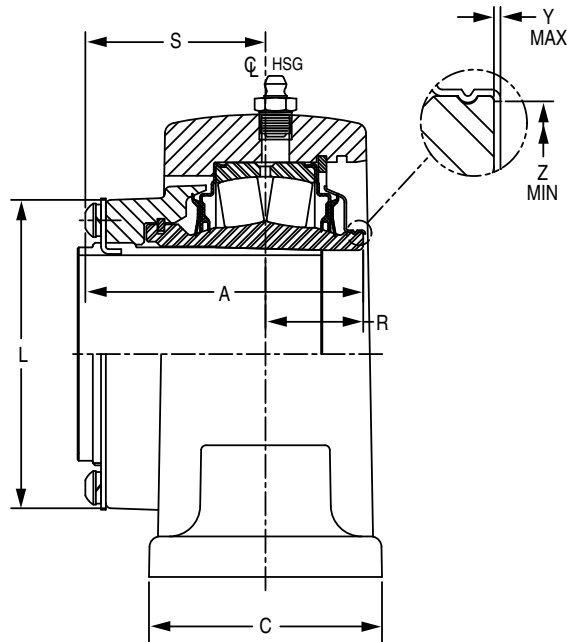
DIMENSIONS



Steel IMPERIAL-HD Pillow Block 2-Bolt with Type E Dimensions



EXPANSION



NON-EXPANSION

FEATURES/BENEFITS PAGE B14-2	SPECIFICATIONS PAGE B14-5	HOW TO ORDER/NOMENCLATURE PAGE B14-8	SELECTION PAGE B14-14
---------------------------------	------------------------------	---	--------------------------

DIMENSIONS



Steel IMPERIAL-HD Pillow Block 2-Bolt with Type E Dimensions

Bearing Reference Guide

E-Family Roller Bearings

Specialty Tapered Products

S-2000

UNISPHERE II

IMPERIAL

UNIFIED SAF

Shaft Size	Dodge Non-Expansion		Dodge Expansion	
	Part No.	Description	Part No.	Description
1-3/8	071864	SEP2B-IP-106R	071885	SEP2B-IP-106RE
1-7/16	071865	SEP2B-IP-107R	071886	SEP2B-IP-107RE
1-1/2	071866	SEP2B-IP-108R	071887	SEP2B-IP-108RE
1-5/8	071867	SEP2B-IP-110R	071888	SEP2B-IP-110RE
1-11/16	071868	SEP2B-IP-111R	071889	SEP2B-IP-111RE
1-3/4	071869	SEP2B-IP-112R	071890	SEP2B-IP-112RE
1-7/8	071870	SEP2B-IP-114R	071891	SEP2B-IP-114RE
1-15/16	071871	SEP2B-IP-115R	071892	SEP2B-IP-115RE
2	071872	SEP2B-IP-200R	071893	SEP2B-IP-200RE
2-3/16	071873	SEP2B-IP-203R	071894	SEP2B-IP-203RE
2-1/4	071874	SEP2B-IP-204R	071895	SEP2B-IP-204RE
2-7/16	071875	SEP2B-IP-207R	071896	SEP2B-IP-207RE
2-1/2	071876	SEP2B-IP-208R	071897	SEP2B-IP-208RE
2-11/16	071877	SEP2B-IP-211R	071898	SEP2B-IP-211RE
2-3/4	071878	SEP2B-IP-212R	071899	SEP2B-IP-212RE
2-15/16	071879	SEP2B-IP-215R	071900	SEP2B-IP-215RE
3	071880	SEP2B-IP-300R	071901	SEP2B-IP-300RE
3-3/16	071881	SEP2B-IP-303R	071902	SEP2B-IP-303RE
3-1/4	071882	SEP2B-IP-304R	071903	SEP2B-IP-304RE
3-7/16	071883	SEP2B-IP-307R	071904	SEP2B-IP-307RE
3-1/2	071884	SEP2B-IP-308R	071905	SEP2B-IP-308RE

Shaft Size	A	B	C	D		F Bolt Dia	G	H	J	L	M	R	S	X Total Exp	Y	Z
				Min	Max											
1-3/8	2.63	6.88	2.25	4.69	5.88	1/2	1.22	1.13	3.84	2.72	1.875	1.04	1.59	5/32	0.02	1.80
1-7/16																
1-1/2	2.81	7.88	2.38	5.7	6.5	1/2	1.02	1.25	4.26	3	2.125	0.96	1.83	3/16	0.02	2.08
1-5/8																
1-11/16																
1-3/4	2.86	8.88	2.44	6	7.12	5/8	1.32	1.31	4.47	3.28	2.250	1.10	1.76	3/32	0.02	2.30
1-7/8																
1-15/16																
2																
2-3/16	3.03	9.63	2.50	6.50	7.88	5/8	1.45	1.50	.00	3.50	2.500	1.06	1.97	1/4	0.03	2.60
2-1/4																
2-7/16	3.42	10.25	2.9	6.88	8.62	5/8	1.63	1.63	5.71	3.88	2.75	1.2	2.22	1/4	0.03	2.95
2-1/2																
2-11/16																
2-3/4	3.50	11.63	2.91	7.88	9.62	3/4	1.75	1.88	6.32	4.28	3.125	1.35	2.15	1/4	0.03	3.47
2-15/16																
3																
3-3/16	4.17	13.5	3.41	9.38	11.25	7/8	1.94	2.25	7.69	5	3.75	1.51	2.66	1/4	0.03	4.05
3-1/4																
3-7/16																
3-1/2																

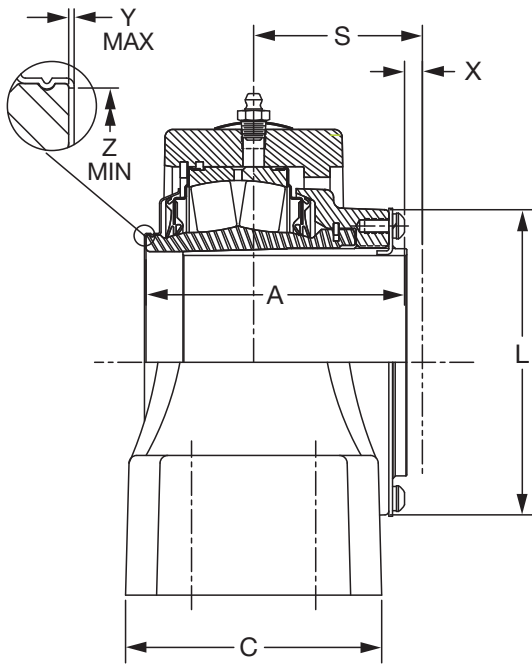
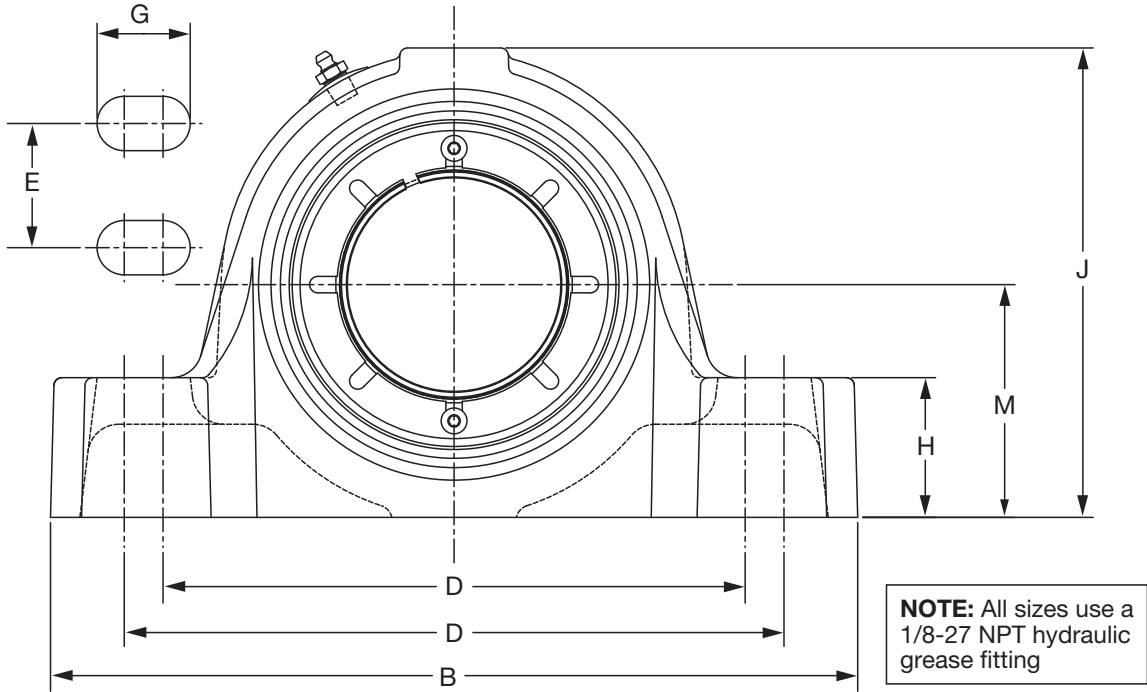
A & *R* Dimensions Do Not Include *Y* Dimension

FEATURES/BENEFITS PAGE B14-2	SPECIFICATIONS PAGE B14-5	HOW TO ORDER/NOMENCLATURE PAGE B14-8	SELECTION PAGE B14-14
---------------------------------	------------------------------	---	--------------------------

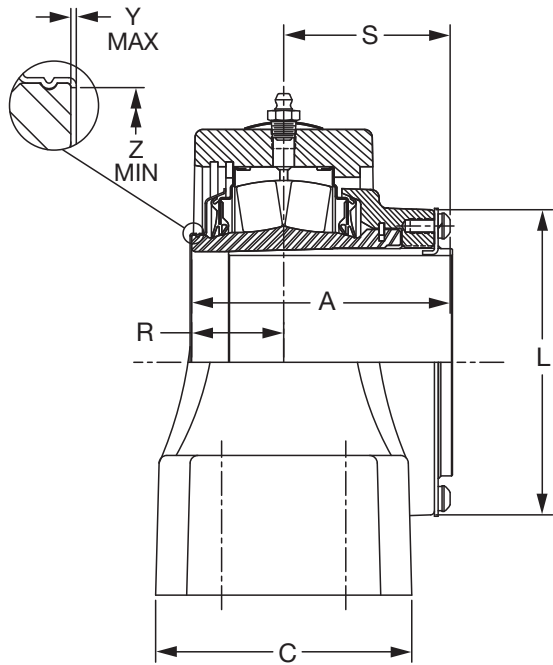


DIMENSIONS

IMPERIAL - IP Pillow Block 2-3/8 THRU 3-1/2 INCH - 4-BOLT



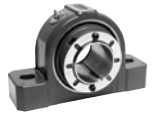
EXPANSION



NON-EXPANSION

NOTE: See page B14-44 for 3-11/16 thru 5 inch

FEATURES/BENEFITS PAGE B14-2	SPECIFICATIONS PAGE B14-5	HOW TO ORDER/NOMENCLATURE PAGE B14-8	SELECTION PAGE B14-14
---------------------------------	------------------------------	---	--------------------------



DIMENSIONS

IMPERIAL - IP Pillow Block 2-3/8 THRU 3-1/2 INCH - 4-BOLT

Bearing Reference Guide

E-Family Roller Bearings

Specialty Tapered Products

S-2000

UNISPHERE II

IMPERIAL

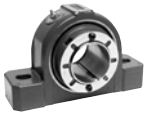
UNIFIED SAF

Bearing	Shaft Size Inch	TRIDENT Seal				Labyrinth Seal			
		Non-Expansion		Expansion		Non-Expansion		Expansion	
		Part No.	Part Name	Part No.	Part Name	Part No.	Part Name	Part No.	Part Name
22213	2-3/8	069520	P4B-IP-206R	069538	P4B-IP-206RE	069556	P4B-IP-206L	069574	P4B-IP-206LE
	2-7/16	069521	P4B-IP-207R	069539	P4B-IP-207RE	069557	P4B-IP-207L	069575	P4B-IP-207LE
	2-1/2	069522	P4B-IP-208R	069540	P4B-IP-208RE	069558	P4B-IP-208L	069576	P4B-IP-208LE
22215	2-11/16	069523	P4B-IP-211R	069541	P4B-IP-211RE	069559	P4B-IP-211L	069577	P4B-IP-211LE
	2-3/4	069524	P4B-IP-212R	069542	P4B-IP-212RE	069560	P4B-IP-212L	069578	P4B-IP-212LE
	2-15/16	069525	P4B-IP-215R	069543	P4B-IP-215RE	069561	P4B-IP-215L	069579	P4B-IP-215LE
	3	069526	P4B-IP-300R	069544	P4B-IP-300RE	069562	P4B-IP-300L	069580	P4B-IP-300LE
22218	3-3/16	069527	P4B-IP-303R	069545	P4B-IP-303RE	069563	P4B-IP-303L	069581	P4B-IP-303LE
	3-1/4	069528	P4B-IP-304R	069546	P4B-IP-304RE	069564	P4B-IP-304L	069582	P4B-IP-304LE
	3-7/16	069529	P4B-IP-307R	069547	P4B-IP-307RE	069565	P4B-IP-307L	069583	P4B-IP-307LE
	3-1/2	069530	P4B-IP-308R	069548	P4B-IP-308RE	069566	P4B-IP-308L	069584	P4B-IP-308LE

Metric shaft sizes available upon request

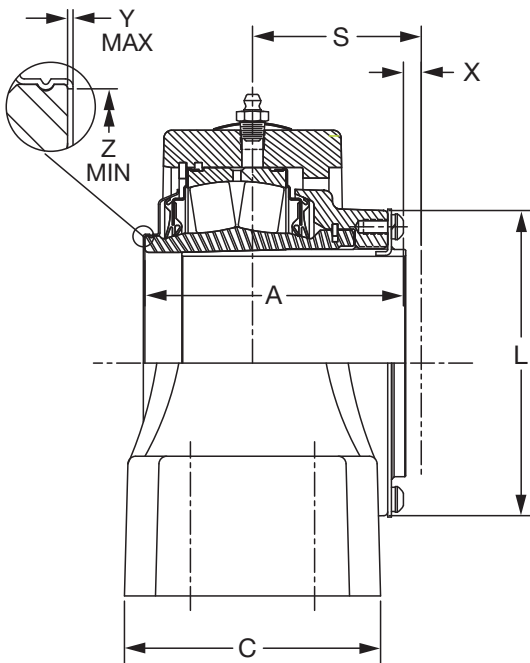
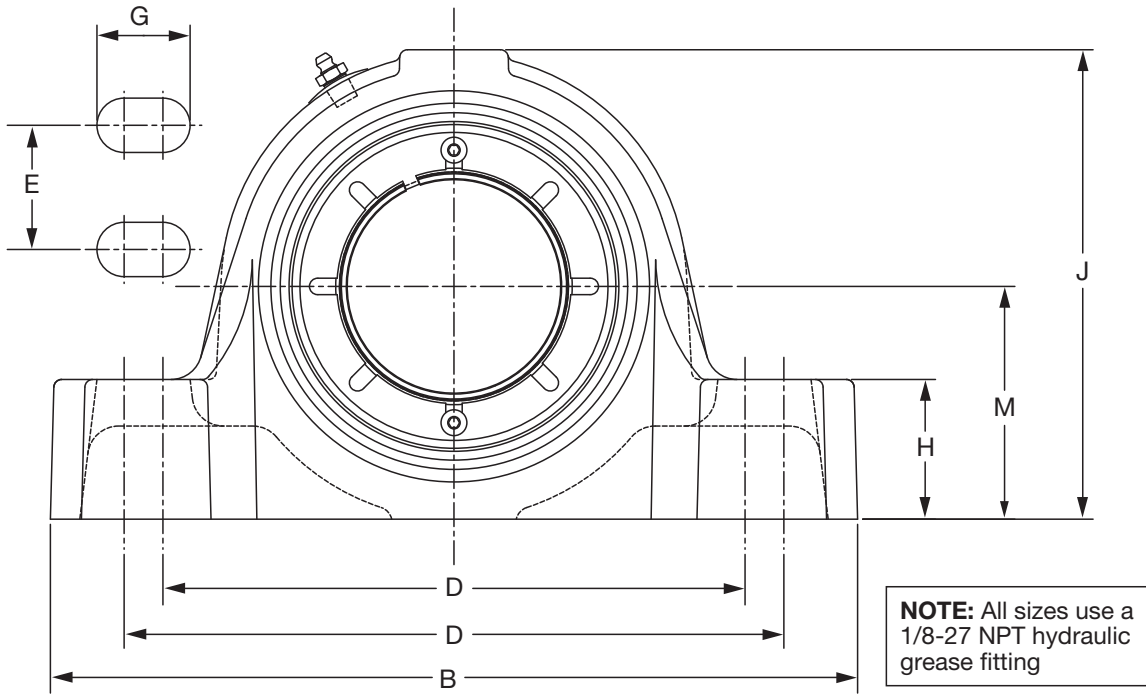
Shaft Size	A	B	C	D		E	F Bolt Dia.	G	H	J	L	M	R	S	X Total Exp.	Y	Z
				Min	Max												
2-3/8 2-7/16 2-1/2	3.42	9.25	3.28	6.94	7.31	1.75	1/2	0.81	1.63	5.59	3.88	2.75	1.08	2.34	1/4	0.03	2.94
2-11/16 2-3/4 2-15/16 3	3.50	10.44	3.75	7.94	8.31	1.88	5/8	0.94	1.88	6.44	4.28	3.25	1.09	2.41	1/4	0.03	3.47
3-3/16 3-1/4 3-7/16 3-1/2	4.17	13.00	4.13	9.38	10.63	2.00	3/4	1.50	2.25	7.56	5.00	3.75	1.44	2.73	1/4	0.03	4.05

FEATURES/BENEFITS PAGE B14-2	SPECIFICATIONS PAGE B14-5	HOW TO ORDER/NOMENCLATURE PAGE B14-8	SELECTION PAGE B14-14
---------------------------------	------------------------------	---	--------------------------

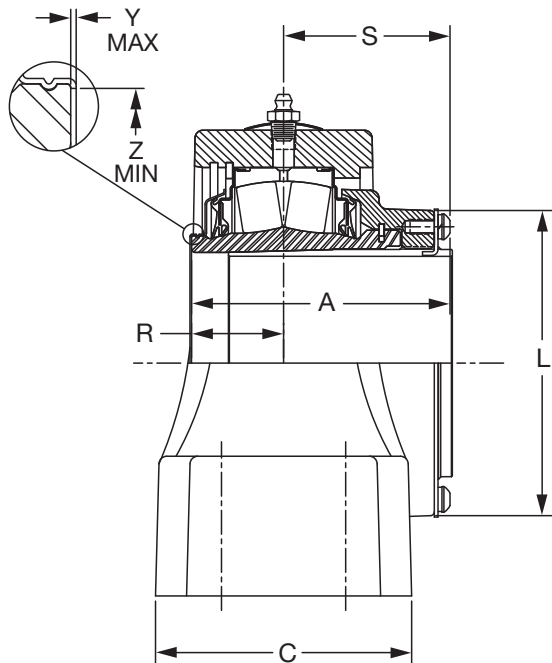


DIMENSIONS

IMPERIAL - IP Pillow Block 3-11/16 THRU 5 INCH - 4-BOLT



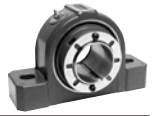
EXPANSION



NON-EXPANSION

NOTE: See page B14-42 for 2-3/8 thru 3-1/2 inch

FEATURES/BENEFITS PAGE B14-2	SPECIFICATIONS PAGE B14-5	HOW TO ORDER/NOMENCLATURE PAGE B14-8	SELECTION PAGE B14-14
---------------------------------	------------------------------	---	--------------------------



DIMENSIONS

IMPERIAL - IP Pillow Block 3-11/16 THRU 5 INCH - 4-BOLT

Bearing Reference Guide

E-Family Roller Bearings

Specialty Tapered Products

S-2000

UNISPHERE II

IMPERIAL

UNIFIED SAF

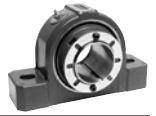
Bearing	Shaft Size Inch	TRIDENT Seal				Labyrinth Seal			
		Non-Expansion		Expansion		Non-Expansion		Expansion	
		Part No.	Part Name	Part No.	Part Name	Part No.	Part Name	Part No.	Part Name
22220	3-11/16	069531	P4B-IP-311R	069549	P4B-IP-311RE	069567	P4B-IP-311L	069585	P4B-IP-311LE
	3-15/16	069532	P4B-IP-315R	069550	P4B-IP-315RE	069568	P4B-IP-315L	069586	P4B-IP-315LE
	4	069533	P4B-IP-400R	069551	P4B-IP-400RE	069569	P4B-IP-400L	069587	P4B-IP-400LE
22222	4-7/16	069534	P4B-IP-407R	069552	P4B-IP-407RE	069570	P4B-IP-407L	069588	P4B-IP-407LE
	4-1/2	069535	P4B-IP-408R	069553	P4B-IP-408RE	069571	P4B-IP-408L	069589	P4B-IP-408LE
22226	4-15/16	069536	P4B-IP-415R	069554	P4B-IP-415RE	069572	P4B-IP-415L	069590	P4B-IP-415LE
	5	069537	P4B-IP-500R	069555	P4B-IP-500RE	069573	P4B-IP-500L	069591	P4B-IP-500LE

Metric shaft sizes available upon request

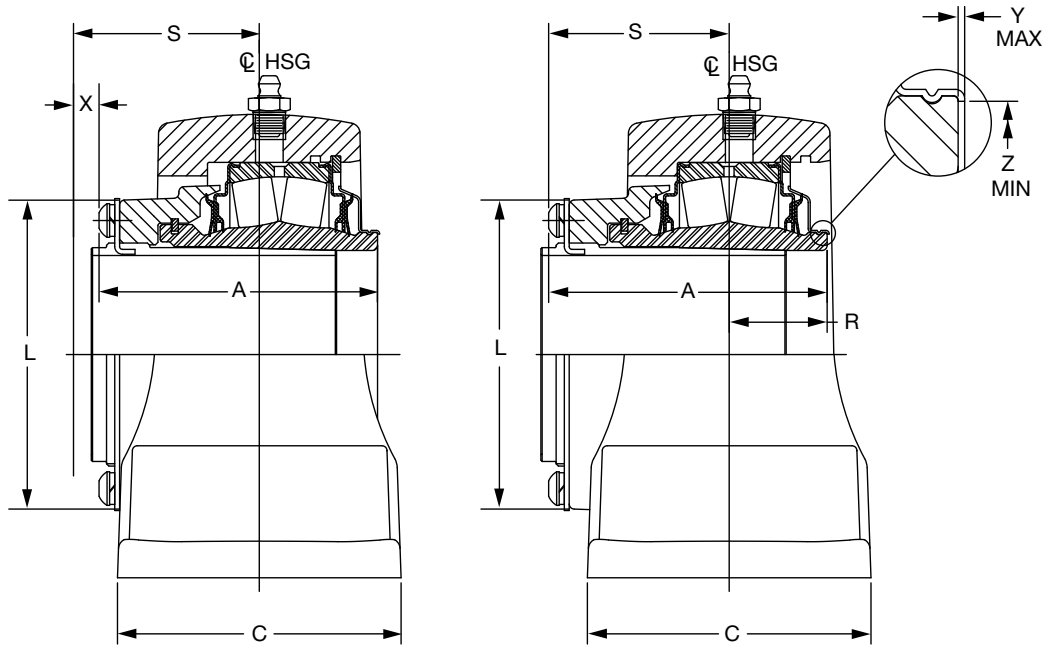
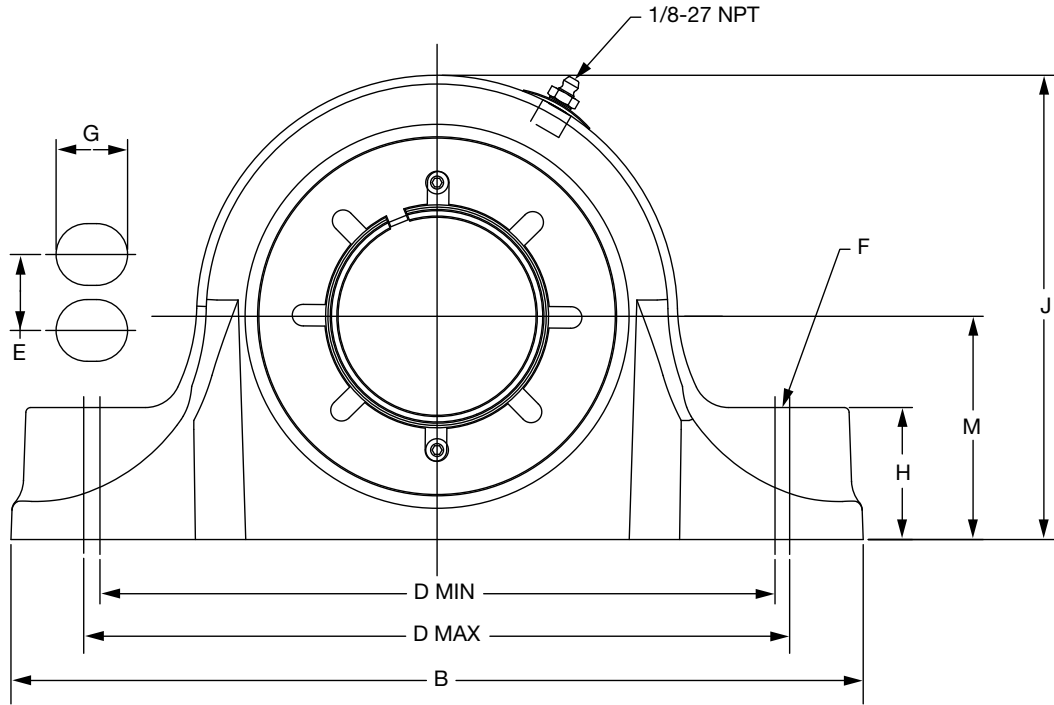
Shaft Size	A	B	C	D		E	F Bolt Dia.	G	H	J	L	M	R	S	X Total Exp.	Y	Z
				Min	Max												
3-11/16	4.70	15.25	4.50	12.13	12.88	2.25	3/4	1.25	2.44	8.44	5.56	4.25	1.64	3.06	5/16	0.03	4.50
3-15/16																	
4																	
4-7/16	5.23	16.50	4.75	12.00	14.00	2.50	3/4	1.38	2.75	9.63	6.44	4.75	1.75	3.48	3/8	0.04	5.00
4-1/2																	
4-15/16	5.98	18.63	5.38	15.00	16.00	2.75	7/8	1.50	3.00	11.13	7.63	5.50	1.91	4.08	3/8	0.04	5.84
5																	

FEATURES/BENEFITS PAGE B14-2	SPECIFICATIONS PAGE B14-5	HOW TO ORDER/NOMENCLATURE PAGE B14-8	SELECTION PAGE B14-14
---------------------------------	------------------------------	---	--------------------------

DIMENSIONS



IMPERIAL - IP Pillow Block with Type E Dimensions 2-1/4 THRU 7 INCH - 4-BOLT



EXPANSION

NON-EXPANSION

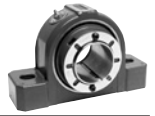
FEATURES/BENEFITS
PAGE B14-2

SPECIFICATIONS
PAGE B14-5

HOW TO ORDER/NOMENCLATURE
PAGE B14-8

SELECTION
PAGE B14-14

DIMENSIONS



IMPERIAL - IP Pillow Block with Type E Dimensions 2-1/4 THRU 7 INCH - 4-BOLT

Bearing Series	Shaft Size*	TRIDENT Seal				Labyrinth Seal			
		Non-Expansion		Expansion		Non-Expansion		Expansion	
		Part No.	Part Name	Part No.	Part Name	Part No.	Part Name	Part No.	Part Name
22213	2-1/4	071204	EP4B-IP-204R	071221	EP4B-IP-204RE	071238	EP4B-IP-204L	071255	EP4B-IP-204LE
	2-7/16	071205	EP4B-IP-207R	071222	EP4B-IP-207RE	071239	EP4B-IP-207L	071256	EP4B-IP-207LE
	2-1/2	071206	EP4B-IP-208R	071223	EP4B-IP-208RE	071240	EP4B-IP-208L	071257	EP4B-IP-208LE
22215	2-11/16	071207	EP4B-IP-211R	071224	EP4B-IP-211RE	071241	EP4B-IP-211L	071258	EP4B-IP-211LE
	2-3/4	071208	EP4B-IP-212R	071225	EP4B-IP-212RE	071242	EP4B-IP-212L	071259	EP4B-IP-212LE
	2-15/16	071209	EP4B-IP-215R	071226	EP4B-IP-215RE	071243	EP4B-IP-215L	071260	EP4B-IP-215LE
	3	071210	EP4B-IP-300R	071227	EP4B-IP-300RE	071244	EP4B-IP-300L	071261	EP4B-IP-300LE
22218	3-3/16	071211	EP4B-IP-303R	071228	EP4B-IP-303RE	071245	EP4B-IP-303L	071262	EP4B-IP-303LE
	3-1/4	071212	EP4B-IP-304R	071229	EP4B-IP-304RE	071246	EP4B-IP-304L	071263	EP4B-IP-304LE
	3-7/16	071213	EP4B-IP-307R	071230	EP4B-IP-307RE	071247	EP4B-IP-307L	071264	EP4B-IP-307LE
	3-1/2	071214	EP4B-IP-308R	071231	EP4B-IP-308RE	071248	EP4B-IP-308L	071265	EP4B-IP-308LE
22220	3-15/16	071215	EP4B-IP-315R	071232	EP4B-IP-315RE	071249	EP4B-IP-315L	071266	EP4B-IP-315LE
	4	071216	EP4B-IP-400R	071233	EP4B-IP-400RE	071250	EP4B-IP-400L	071267	EP4B-IP-400LE
22222	4-7/16	071217	EP4B-IP-407R	071234	EP4B-IP-407RE	071251	EP4B-IP-407L	071268	EP4B-IP-407LE
	4-1/2	071218	EP4B-IP-408R	071235	EP4B-IP-408RE	071252	EP4B-IP-408L	071269	EP4B-IP-408LE
22226	4-15/16	071219	EP4B-IP-415R	071236	EP4B-IP-415RE	071253	EP4B-IP-415L	071270	EP4B-IP-415LE
	5	071220	EP4B-IP-500R	071237	EP4B-IP-500RE	071254	EP4B-IP-500L	071271	EP4B-IP-500LE
22228	5-7/16	071610	EP4B-IP-507R	071618	EP4B-IP-507RE	071626	EP4B-IP-507L	071634	EP4B-IP-507LE
	5-1/2	071611	EP4B-IP-508R	071619	EP4B-IP-508RE	071627	EP4B-IP-508L	071635	EP4B-IP-508LE
22232	5-15/16	071612	EP4B-IP-515R	071620	EP4B-IP-515RE	071628	EP4B-IP-515L	071636	EP4B-IP-515LE
	6	071613	EP4B-IP-600R	071621	EP4B-IP-600RE	071629	EP4B-IP-600L	071637	EP4B-IP-600LE
22236	6-7/16	071614	EP4B-IP-607R	071622	EP4B-IP-607RE	071630	EP4B-IP-607L	071638	EP4B-IP-607LE
	6-1/2	071615	EP4B-IP-608R	071623	EP4B-IP-608RE	071631	EP4B-IP-608L	071639	EP4B-IP-608LE
	6-15/16	071616	EP4B-IP-615R	071624	EP4B-IP-615RE	071632	EP4B-IP-615L	071640	EP4B-IP-615LE
	7	071617	EP4B-IP-700R	071625	EP4B-IP-700RE	071633	EP4B-IP-700L	071641	EP4B-IP-700LE

*Consult Dodge For Sizes Not Listed

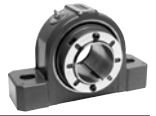
Shaft Size	A	B#	C#	D		E	F Bolt Dia.	G#	H#	J#	L	M	R	S	X Total Exp.	Y	Z
				Min	Max												
2-1/4 2-7/16 2-1/2	3.42	10.50	3.49	8.31	8.69	1.87	5/8	0.87	1.63	5.72	3.88	2.75	1.21	2.21	1/4	0.03	2.94
2-11/16 2-3/4 2-15/16 3	3.50	12.00	4.00	9.18	9.82	2.13	5/8	1.00	1.88	6.33	4.28	3.13	1.35	2.15	1/4	0.03	3.47
3-3/16 3-1/4 3-7/16 3-1/2	4.17	13.50	4.49	10.75	11.25	2.37	3/4	1.13	2.25	7.69	5.00	3.75	1.54	2.63	1/4	0.03	4.05
3-15/16 4	4.70	15.25	4.50	12.25	12.75	2.25	3/4	1.13	2.44	8.70	5.56	4.25	1.35	3.35	5/16	0.03	4.50
4-7/16 4-1/2	5.23	16.63	4.63	13.25	13.75	2.50	3/4	1.13	2.75	9.67	6.44	4.75	1.82	3.41	3/8	0.04	5.00
4-15/16 5	5.98	18.50	5.13	15.25	15.75	2.87	7/8	1.25	3.00	11.16	7.63	5.50	1.93	4.05	3/8	0.04	5.84
5-7/16 5-1/2	6.17	22	6.25	17.38	19.12	3.75	1	2.00	3.25	13.19	8.75	6.69	1.4	4.77	3/8	0.04	5.92
5-15/16 6	7.08	22	6.25	17.38	19.12	3.75	1	2.00	3.25	13.19	10.25	6.69	2.66	4.42	3/8	0.04	7.02
6-7/16 6-1/2 6-15/16 7	7.39	26	7.12	21.25	23.25	4.62	1	2.00	3.69	14.94	11.41	7.50	2.46	4.94	23/64	0.04	7.89

Notes: "A" And "R" Dimensions Do Not Include "Y" Dimension

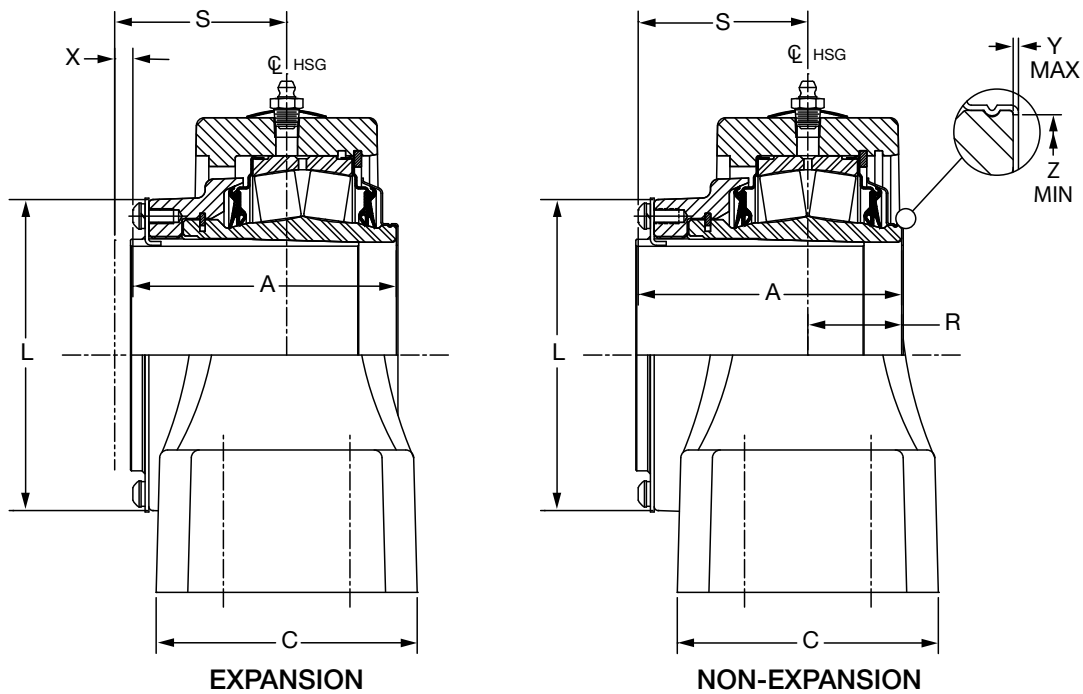
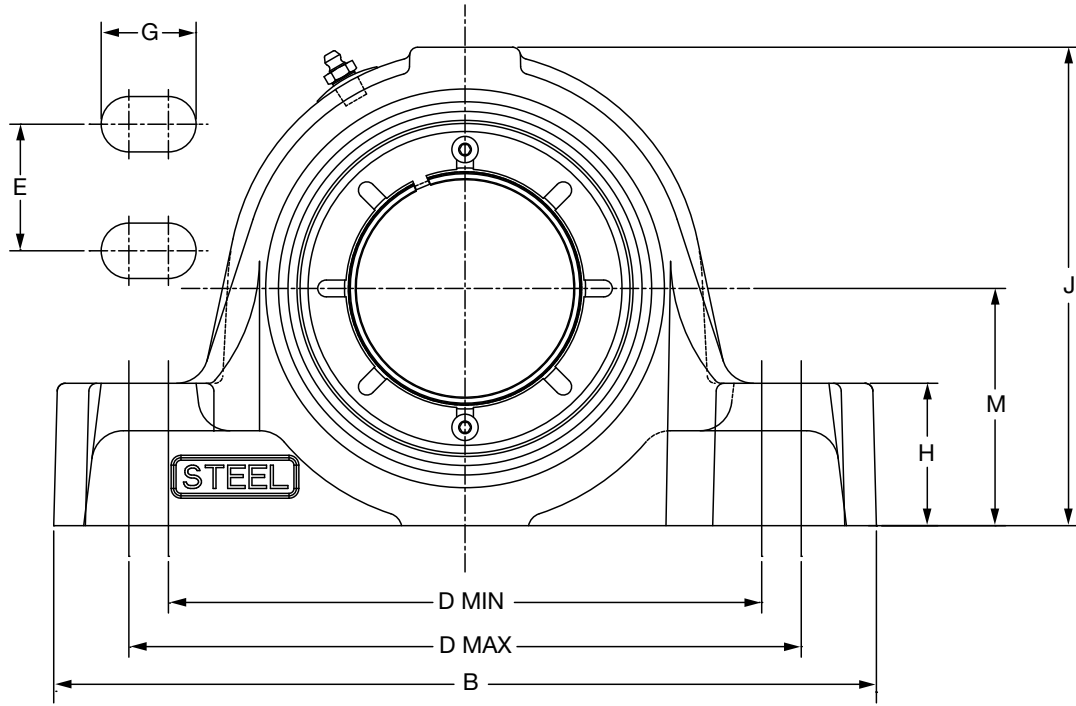
Reference Dimension Only

FEATURES/BENEFITS PAGE B14-2	SPECIFICATIONS PAGE B14-5	HOW TO ORDER/NOMENCLATURE PAGE B14-8	SELECTION PAGE B14-14
---------------------------------	------------------------------	---	--------------------------

DIMENSIONS



Steel IMPERIAL-HD Pillow Block 4-Bolt



FEATURES/BENEFITS PAGE B14-2	SPECIFICATIONS PAGE B14-5	HOW TO ORDER/NOMENCLATURE PAGE B14-8	SELECTION PAGE B14-14
---------------------------------	------------------------------	---	--------------------------

DIMENSIONS



Steel IMPERIAL-HD Pillow Block 4-Bolt

Bearing Reference Guide

E-Family Roller Bearings

Specialty Tapered Products

S-2000

UNISPHERE II

IMPERIAL

UNIFIED SAF

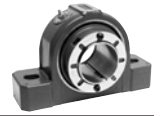
Shaft Size	Dodge Non-Expansion		Dodge Expansion	
	Dodge Part No.	Description	Dodge Part No.	Description
2-3/8	071706	SP4B-IP-206R	071724	SP4B-IP-206RE
2-7/16	071707	SP4B-IP-207R	071725	SP4B-IP-207RE
2-1/2	071708	SP4B-IP-208R	071726	SP4B-IP-208RE
2-11/16	071709	SP4B-IP-211R	071727	SP4B-IP-211RE
2-3/4	071710	SP4B-IP-212R	071728	SP4B-IP-212RE
2-15/16	071711	SP4B-IP-215R	071729	SP4B-IP-215RE
3	071712	SP4B-IP-300R	071730	SP4B-IP-300RE
3-3/16	071713	SP4B-IP-303R	071731	SP4B-IP-303RE
3-1/4	071714	SP4B-IP-304R	071732	SP4B-IP-304RE
3-7/16	071715	SP4B-IP-307R	071733	SP4B-IP-307RE
3-1/2	071716	SP4B-IP-308R	071734	SP4B-IP-308RE
3-11/16	071717	SP4B-IP-311R	071735	SP4B-IP-311RE
3-15/16	071718	SP4B-IP-315R	071736	SP4B-IP-315RE
4	071719	SP4B-IP-400R	071737	SP4B-IP-400RE
4-7/16	071720	SP4B-IP-407R	071738	SP4B-IP-407RE
4-1/2	071721	SP4B-IP-408R	071739	SP4B-IP-408RE
4-15/16	071722	SP4B-IP-415R	071740	SP4B-IP-415RE
5	071723	SP4B-IP-500R	071741	SP4B-IP-500RE

Shaft Size	A	B	C	D		E	F Bolt Dia	G	H	J	L	M	R	S	X Total Exp	Y	Z
				Min	Max												
2-3/8	3.42	9.25	3.00	6.88	7.63	1.75	1/2	1.06	1.63	5.61	3.88	2.75	1.17	2.25	1/4	0.03	2.94
2-7/16																	
2-1/2																	
2-11/16	3.50	10.44	3.13	7.60	9.10	1.88	5/8	1.43	1.88	6.44	4.28	3.25	1.12	2.37	1/4	0.03	3.47
2-3/4																	
2-15/16																	
3																	
3-3/16	4.17	12.30	3.75	8.88	10.88	2.00	3/4	1.88	2.25	7.56	5.00	3.75	1.53	2.63	1/4	0.03	4.05
3-1/4																	
3-7/16																	
3-1/2																	
3-11/16	4.70	14.88	4.31	10.88	13.38	2.25	3/4	2.13	2.44	8.70	5.56	4.25	1.70	3.00	5/16	0.03	4.50
3-15/16																	
4																	
4-7/16																	
4-1/2	5.23	16.13	4.75	11.88	14.50	2.50	3/4	2.19	2.75	9.67	6.44	4.75	1.53	3.70	3/8	0.04	5.00
4-15/16																	
5																	
5	5.98	17.50	5.03	15.13	15.88	2.75	7/8	1.38	3.00	11.12	7.63	5.50	2.22	3.77	3/8	0.04	5.84

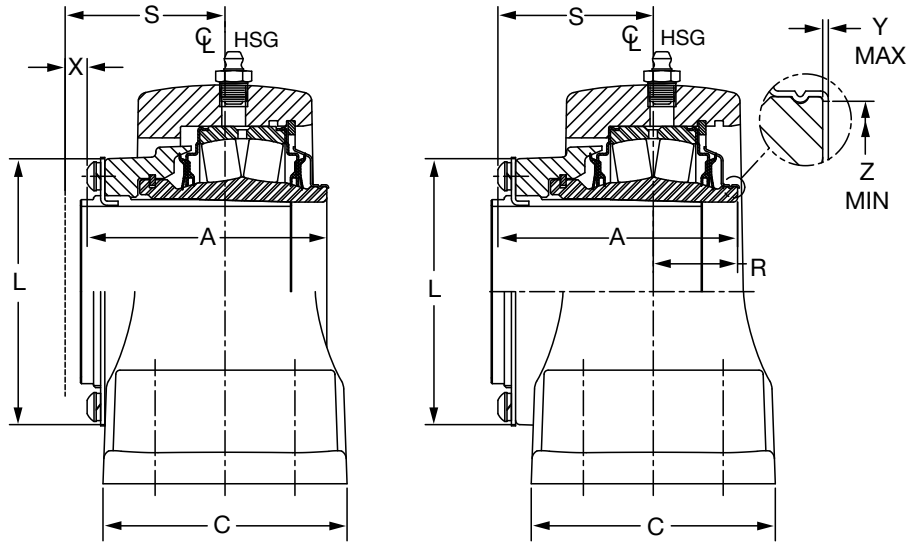
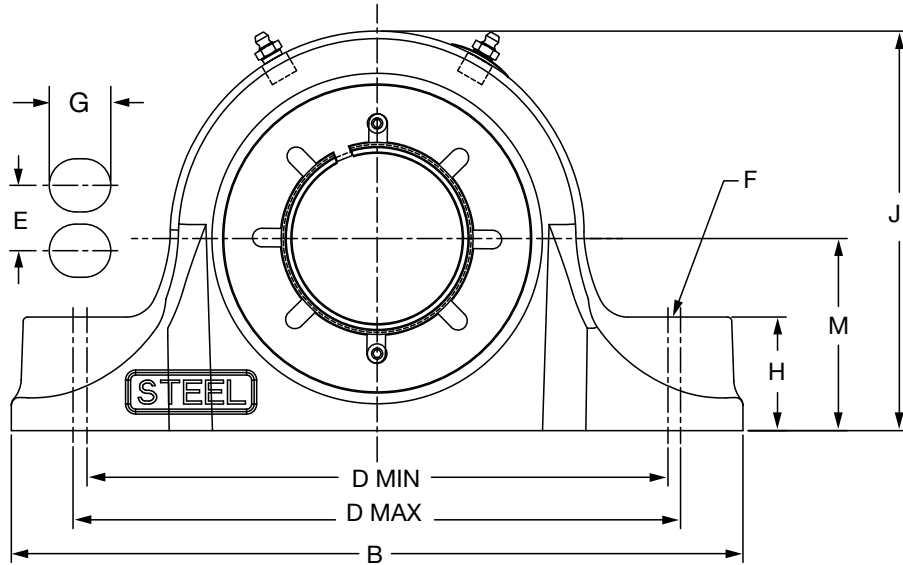
"A" & "R" Dimensions Do Not Include "Y" Dimension

FEATURES/BENEFITS PAGE B14-2	SPECIFICATIONS PAGE B14-5	HOW TO ORDER/NOMENCLATURE PAGE B14-8	SELECTION PAGE B14-14
---------------------------------	------------------------------	---	--------------------------

DIMENSIONS



Steel IMPERIAL-HD Pillow Block 4-Bolt with Type E Dimensions



3-11/16" THRU 5"
EXPANSION

3-11/16" THRU 5"
NON-EXPANSION

FEATURES/BENEFITS PAGE B14-2	SPECIFICATIONS PAGE B14-5	HOW TO ORDER/NOMENCLATURE PAGE B14-8	SELECTION PAGE B14-14
---------------------------------	------------------------------	---	--------------------------

DIMENSIONS



Steel IMPERIAL-HD Pillow Block 4-Bolt with Type E Dimensions

Bearing Reference Guide

E-Family Roller Bearings

Specialty Tapered Products

S-2000

UNISPHERE II

IMPERIAL

UNIFIED SAF

Shaft Size	Dodge Non-Expansion		Dodge Expansion	
	Dodge Part No.	Description	Dodge Part No.	Description
2-1/4	071906	SEP4B-IP-204R	071923	SEP4B-IP-204RE
2-7/16	071907	SEP4B-IP-207R	071924	SEP4B-IP-207RE
2-1/2	071908	SEP4B-IP-208R	071925	SEP4B-IP-208RE
2-11/16	071909	SEP4B-IP-211R	071926	SEP4B-IP-211RE
2-3/4	071910	SEP4B-IP-212R	071927	SEP4B-IP-212RE
2-15/16	071911	SEP4B-IP-215R	071928	SEP4B-IP-215RE
3	071912	SEP4B-IP-300R	071929	SEP4B-IP-300RE
3-3/16	071913	SEP4B-IP-303R	071930	SEP4B-IP-303RE
3-1/4	071914	SEP4B-IP-304R	071931	SEP4B-IP-304RE
3-7/16	071915	SEP4B-IP-307R	071932	SEP4B-IP-307RE
3-1/2	071916	SEP4B-IP-308R	071933	SEP4B-IP-308RE
3-15/16	071917	SEP4B-IP-315R	071934	SEP4B-IP-315RE
4	071918	SEP4B-IP-400R	071935	SEP4B-IP-400RE
4-7/16	071919	SEP4B-IP-407R	071936	SEP4B-IP-407RE
4-1/2	071920	SEP4B-IP-408R	071937	SEP4B-IP-408RE
4-15/16	071921	SEP4B-IP-415R	071938	SEP4B-IP-415RE
5	071922	SEP4B-IP-500R	071939	SEP4B-IP-500RE

Shaft Size	A	B	C	D		E	F Bolt Dia.	G	H	J	L	M	R	S	X Total Exp	Y	Z
				Min	Max												
2-1/4 2-7/16 2-1/2	3.42	10.25	3.25	7.13	8.75	1.88	5/8	1.57	1.63	5.71	3.88	2.75	1.21	2.21	1/4	0.03	2.94
2-11/16 2-3/4 2-15/16 3	3.50	10.83	3.38	8.00	9.60	2.12	5/8	1.56	1.88	6.32	4.28	3.13	1.35	2.15	1/4	0.03	3.47
3-3/16 3-1/4 3-7/16 3-1/2	4.17	13.63	3.75	9.25	11.25	2.38	3/4	1.88	2.25	7.69	5.00	3.75	1.54	2.63	1/4	0.03	4.05
3-15/16 4	4.70	14.88	4.31	10.88	13.38	2.25	3/4	2.13	2.44	8.70	5.56	4.25	1.70	3.00	5/16	0.03	4.50
4-7/16 4-1/2	5.23	16.13	4.75	11.88	14.50	2.50	3/4	2.19	2.75	9.67	6.44	4.75	1.53	3.70	3/8	0.04	5.00
4-15/16 5	5.98	17.50	5.04	15.13	15.88	2.88	7/8	1.38	3.00	11.16	7.63	5.50	1.93	4.05	3/8	0.04	5.84

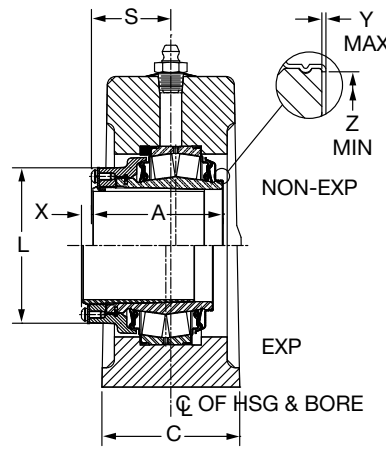
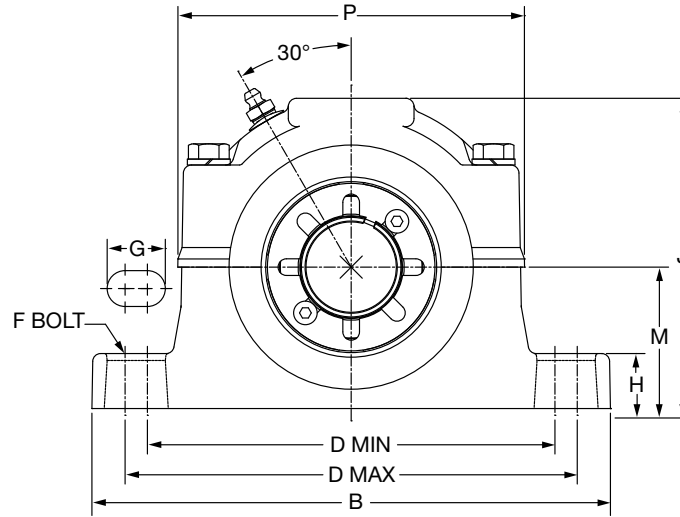
"A" & "R" Dimensions Do Not Include "Y" Dimension

FEATURES/BENEFITS PAGE B14-2	SPECIFICATIONS PAGE B14-5	HOW TO ORDER/NOMENCLATURE PAGE B14-8	SELECTION PAGE B14-14
---------------------------------	------------------------------	---	--------------------------

DIMENSIONS



IMPERIAL ISAF 1-7/16 THRU 3-7/16 INCH - 2-BOLT



CONTACT SEAL

Bearing	Shaft Size Inch	TRIDENT Seal				Labyrinth Seal			
		Non-Expansion		Expansion		Non-Expansion		Expansion	
		Part No.	Part Name	Part No.	Part Name	Part No.	Part Name	Part No.	Part Name
22208	1-7/16	070054	P2B509-ISAF-107R	070064	P2B509-ISAF-107RE	070074	P2B509-ISAF-107L	070084	P2B509-ISAF-107LE
22209	1-11/16	070055	P2B510-ISAF-111R	070065	P2B510-ISAF-111RE	070075	P2B510-ISAF-111L	070085	P2B510-ISAF-111LE
22210	1-15/16	070056	P2B511-ISAF-115R	070066	P2B511-ISAF-115RE	070076	P2B511-ISAF-115L	070086	P2B511-ISAF-115LE
22211	2-3/16	070057	P2B513-ISAF-203R	070067	P2B513-ISAF-203RE	070077	P2B513-ISAF-203L	070087	P2B513-ISAF-203LE
22213	2-7/16	070951	P2B515-ISAF-207R	070955	P2B515-ISAF-207RE	070959	P2B515-ISAF-207L	070963	P2B515-ISAF-207LE
22215	2-11/16	070952	P2B516-ISAF-211R	070956	P2B516-ISAF-211RE	070960	P2B516-ISAF-211L	070964	P2B516-ISAF-211LE
22215	2-15/16	070953	P2B517-ISAF-215R	070957	P2B517-ISAF-215RE	070961	P2B517-ISAF-215L	070965	P2B517-ISAF-215LE
22218	3-7/16	070954	P2B520-ISAF-307R	070958	P2B520-ISAF-307RE	070962	P2B520-ISAF-307L	070966	P2B520-ISAF-307LE

Metric shaft sizes available upon request

NOTE: See page B14-54 for 2-7/16 thru 7 inch

FEATURES/BENEFITS PAGE B14-2	SPECIFICATIONS PAGE B14-5	HOW TO ORDER/NOMENCLATURE PAGE B14-8	SELECTION PAGE B14-14
---------------------------------	------------------------------	---	--------------------------

DIMENSIONS



IMPERIAL ISAF 1-7/16 THRU 3-7/16 INCH - 2-BOLT

Bearing Reference Guide

E-Family Roller Bearings

Specialty Tapered Products

S-2000

UNISPHERE II

IMPERIAL

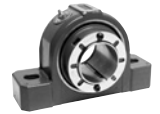
UNIFIED SAF

Shaft Size	SAF Series	A	B	C	D		F Bolts	G	H
					Min	Max			
1-7/16	509	2.63	8.25	2.19	6.25	7.00	1/2	0.94	0.88
1-11/16	510	2.80	8.25	2.38	6.50	7.00	1/2	0.88	1.03
1-15/16	511	2.86	9.63	2.75	7.38	8.25	5/8	1.20	1.03
2-3/16	513	3.03	11.00	3.25	8.60	9.50	5/8	1.16	1.03
2-7/16	515	3.42	11.13	3.13	8.63	9.63	5/8	1.13	1.25
2-11/16	516	3.50	12.59	3.50	9.88	11.00	3/4	1.31	1.00
2-15/16	517	3.50	12.59	3.50	9.88	11.00	3/4	1.31	1.25
3-7/16	520	4.16	15.36	4.34	11.81	13.13	7/8	1.63	1.66

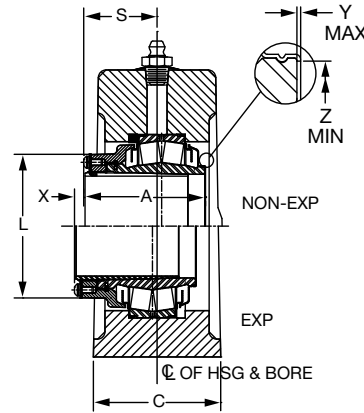
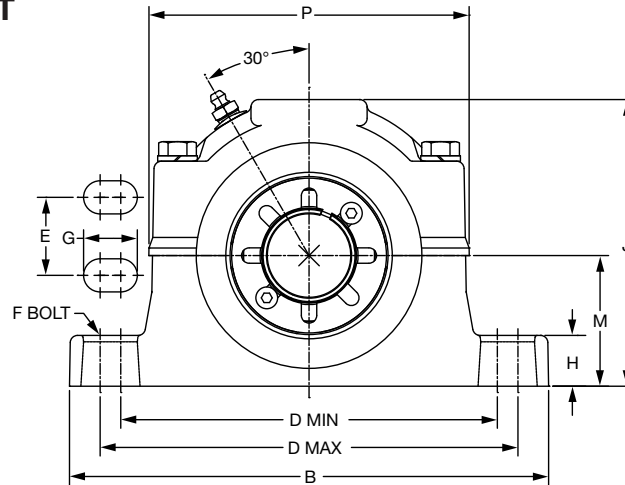
Shaft Size	SAF Series	J	L	M	P	S	X Expansion	Y	Z
1-7/16	509	4.94	2.72	2.25	5.52	1.53	7/32	0.02	1.80
1-11/16	510	5.45	3.00	2.50	5.81	1.73	7/32	0.02	2.08
1-15/16	511	5.97	3.28	2.75	6.38	1.73	17/64	0.02	2.30
2-3/16	513	6.34	3.50	3.00	6.97	1.88	7/32	0.03	2.59
2-7/16	515	6.86	3.86	3.25	7.42	2.06	5/16	0.03	2.94
2-11/16	516	7.50	4.28	3.50	8.31	2.16	15/64	0.03	3.47
2-15/16	517	7.75	4.28	3.75	8.31	2.16	15/64	0.03	3.47
3-7/16	520	9.25	5.00	4.50	10.13	2.48	3/8	0.03	4.05

FEATURES/BENEFITS PAGE B14-2	SPECIFICATIONS PAGE B14-5	HOW TO ORDER/NOMENCLATURE PAGE B14-8	SELECTION PAGE B14-14
---------------------------------	------------------------------	---	--------------------------

DIMENSIONS



IMPERIAL ISAF 2-7/16 THRU 7 INCH - 4-BOLT

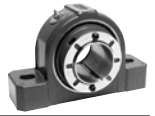


LABYRINTH SEAL

Bearing	Shaft Size Inch	TRIDENT Seal				Labyrinth Seal			
		Non-Expansion		Expansion		Non-Expansion		Expansion	
		Part No.	Part Name	Part No.	Part Name	Part No.	Part Name	Part No.	Part Name
22213	2-7/16	070058	P4B515-ISAF-207R	070068	P4B515-ISAF-207RE	070078	P4B515-ISAF-207L	070088	P4B515-ISAF-207LE
22215	2-11/16	070094	P4B516-ISAF-211R	070095	P4B516-ISAF-211RE	070096	P4B516-ISAF-211L	070097	P4B516-ISAF-211LE
22215	2-15/16	070059	P4B517-ISAF-215R	070069	P4B517-ISAF-215RE	070079	P4B517-ISAF-215L	070089	P4B517-ISAF-215LE
22218	3-7/16	070060	P4B520-ISAF-307R	070070	P4B520-ISAF-307RE	070080	P4B520-ISAF-307L	070090	P4B520-ISAF-307LE
22220	3-15/16	070061	P4B522-ISAF-315R	070071	P4B522-ISAF-315RE	070081	P4B522-ISAF-315L	070091	P4B522-ISAF-315LE
22222	4-7/16	070062	P4B526-ISAF-407R	070072	P4B526-ISAF-407RE	070082	P4B526-ISAF-407L	070092	P4B526-ISAF-407LE
22226	4-15/16	070063	P4B528-ISAF-415R	070073	P4B528-ISAF-415RE	070083	P4B528-ISAF-415L	070093	P4B528-ISAF-415LE
22228	5-7/16	037850	P4B532-ISAF-507R	037854	P4B532-ISAF-507RE	037901	P4B532-ISAF-507L	037902	P4B532-ISAF-507LE
	5-1/2	037903	P4B532-ISAF-508R	037904	P4B532-ISAF-508RE	037905	P4B532-ISAF-508L	037906	P4B532-ISAF-508LE
22232	5-15/16	037851	P4B534-ISAF-515R	037855	P4B534-ISAF-515RE	037907	P4B534-ISAF-515L	037908	P4B534-ISAF-515LE
	6	037909	P4B534-ISAF-600R	037910	P4B534-ISAF-600RE	037911	P4B534-ISAF-600L	037912	P4B534-ISAF-600LE
22236	6-7/16	037852	P4B536-ISAF-607R	037856	P4B536-ISAF-607RE	037913	P4B536-ISAF-607L	037914	P4B536-ISAF-607LE
	6-1/2	037915	P4B536-ISAF-608R	037916	P4B536-ISAF-608RE	037917	P4B536-ISAF-608L	037918	P4B536-ISAF-608LE
22236	6-15/16	037853	P4B538-ISAF-615R	037857	P4B538-ISAF-615RE	037919	P4B538-ISAF-615L	037920	P4B538-ISAF-615LE
	7	037921	P4B538-ISAF-700R	037922	P4B538-ISAF-700RE	037923	P4B538-ISAF-700L	037924	P4B538-ISAF-700LE

NOTE: See page B14-52 for 1-1/8 thru 2-3/16 inch

FEATURES/BENEFITS PAGE B14-2	SPECIFICATIONS PAGE B14-5	HOW TO ORDER/NOMENCLATURE PAGE B14-8	SELECTION PAGE B14-14
---------------------------------	------------------------------	---	--------------------------



DIMENSIONS

IMPERIAL ISAF 2-7/16 THRU 7 INCH - 4-BOLT

Bearing Reference Guide

E-Family Roller Bearings

Specialty Tapered Products

S-2000

UNISPHERE II

IMPERIAL

UNIFIED SAF

Shaft Size	SAF Series	A	B	C	D		E	F Bolts	G	H
					Min	Max				
2-7/16	515	3.42	11.13	3.13	8.63	9.63	1.88	1/2	1.13	1.25
2-11/16	516	3.50	12.59	3.50	9.88	11.00	2.13	5/8	1.31	1.00
2-15/16	517	3.50	12.59	3.50	9.88	11.00	2.13	5/8	1.31	1.25
3-7/16	520	4.16	15.36	4.34	11.81	13.13	2.38	3/4	1.63	1.60
3-15/16	522	4.70	16.50	4.75	12.59	14.50	2.75	3/4	1.83	1.73
4-7/16	526	5.23	18.38	5.13	14.50	16.00	3.25	7/8	1.75	2.06
4-15/16	528	5.98	19.70	5.88	15.63	17.38	3.38	1	2.00	2.06
5-7/16 5-1/2	532	6.17	21.66	6.25	17.38	19.25	3.75	1	2.06	2.34
5-15/16 6	534	7.08	24.75	6.75	19.38	21.63	4.25	1	2.25	2.88
6-7/16 6-1/2	536	7.39	26.75	7.13	20.88	23.63	4.63	1	2.50	3.00
6-15/16 7	538	7.39	28.00	7.50	21.63	24.38	4.50	1-1/4	2.75	3.13

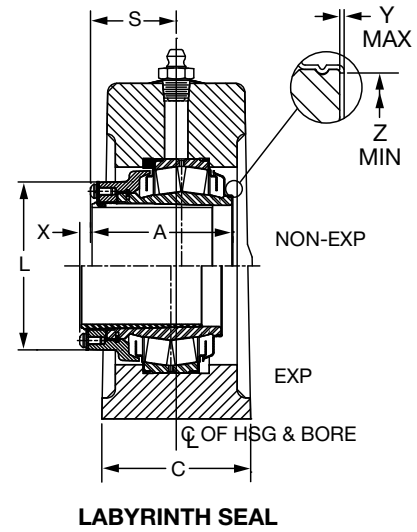
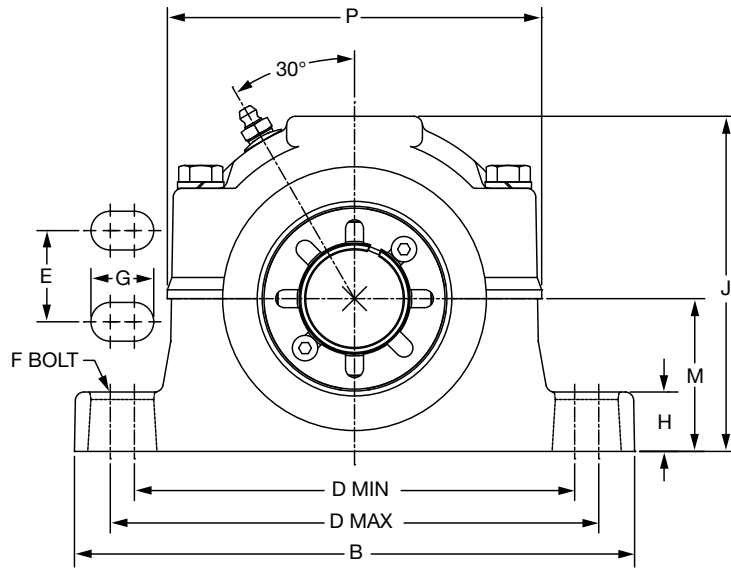
Shaft Size	SAF Series	J	L	M	P	S	X Expansion	Y	Z
2-7/16	515	6.86	3.88	3.25	7.42	2.06	5/16	0.03	2.94
2-11/16	516	7.50	4.28	3.50	8.31	2.16	15/64	0.03	3.47
2-15/16	517	7.75	4.28	3.75	8.31	2.16	15/64	0.03	3.47
3-7/16	520	9.25	5.00	4.50	10.13	2.48	3/8	0.03	4.05
3-15/16	522	10.18	5.56	4.94	10.72	2.86	3/8	0.03	4.50
4-7/16	526	11.66	6.44	6.00	12.47	3.09	3/8	0.04	5.00
4-15/16	528	12.41	7.63	6.00	13.38	3.69	3/8	0.04	5.84
5-7/16 5-1/2	532	12.50	8.75	6.69	13.38	3.64	3/8	0.04	5.92
5-15/16 6	534	13.69	10.25	7.06	15.09	4.11	3/8	0.04	7.02
6-7/16 6-1/2	536	15.13	11.41	7.50	17.38	4.34	3/8	0.04	7.89
6-15/16 7	538	15.50	11.41	7.88	1.38	4.34	3/8	0.04	7.89

FEATURES/BENEFITS PAGE B14-2	SPECIFICATIONS PAGE B14-5	HOW TO ORDER/NOMENCLATURE PAGE B14-8	SELECTION PAGE B14-14
---------------------------------	------------------------------	---	--------------------------

DIMENSIONS

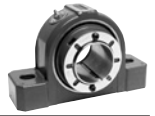


IMPERIAL ISAF 35 THRU 90MM - 2-BOLT



Bearing	Shaft Size in mm	Trident Seal				Labyrinth Seal			
		Non-Expansion		Expansion		Non-Expansion		Expansion	
		Part No.	Part Name	Part No.	Part Name	Part No.	Part Name	Part No.	Part Name
22208	35	068774	P2B509-ISAF-035MR	068775	P2B509-ISAF-035MRE		P2B509-ISAF-035ML		P2B509-ISAF-035MLE
22209	40	077646	P2B509-ISAF-040MR		P2B509-ISAF-040MRE		P2B509-ISAF-040ML		P2B509-ISAF-040MLE
22210	45	077647	P2B510-ISAF-045MR		P2B510-ISAF-045MRE		P2B510-ISAF-045ML		P2B510-ISAF-045MLE
22210	50	073562	P2B511-ISAF-050MR	073561	P2B511-ISAF-050MRE		P2B511-ISAF-050ML		P2B511-ISAF-050MLE
22213	60	077648	P2B513-ISAF-060MR		P2B513-ISAF-060MRE	067921	P2B515-ISAF-060ML	067922	P2B515-ISAF-060MLE
22213	60	068576	P2B515-ISAF-060MR		P2B515-ISAF-060MRE		P2B515-ISAF-060ML		P2B515-ISAF-060MLE
22215	65	077649	P2B515-ISAF-065MR		P2B515-ISAF-065MRE		P2B515-ISAF-065ML		P2B515-ISAF-065MLE
22215	70	077650	P2B516-ISAF-070MR		P2B516-ISAF-070MRE		P2B516-ISAF-070ML		P2B516-ISAF-070MLE
22215	65	065641	P2B517-ISAF-065MR		P2B517-ISAF-065MRE		P2B517-ISAF-065ML		P2B517-ISAF-065MLE
22215	75	065657	P2B517-ISAF-075MR	068905	P2B517-ISAF-075MRE		P2B517-ISAF-075ML		P2B517-ISAF-075MLE
22220	90	077651	P2B520-ISAF-090MR		P2B520-ISAF-090MRE		P2B520-ISAF-090ML		P2B520-ISAF-090MLE

FEATURES/BENEFITS PAGE B14-2	SPECIFICATIONS PAGE B14-5	HOW TO ORDER/NOMENCLATURE PAGE B14-8	SELECTION PAGE B14-14
---------------------------------	------------------------------	---	--------------------------



DIMENSIONS

IMPERIAL ISAF 35 THRU 90MM - 2-BOLT

Bearing Reference Guide

E-Family Roller Bearings

Specialty Tapered Products

S-2000

UNISPHERE II

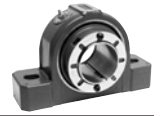
IMPERIAL

UNIFIED SAF

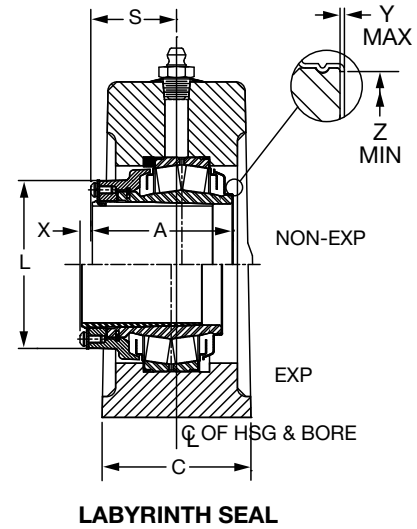
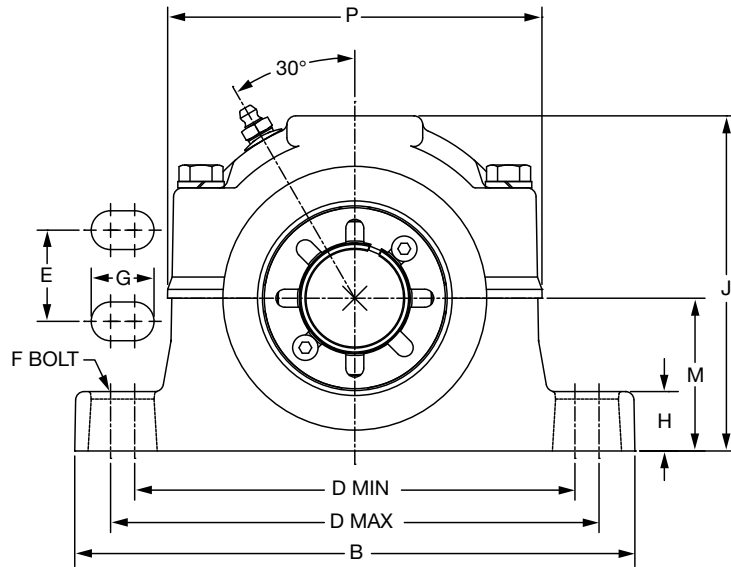
Shaft Size	SAF Series	A	B	C	D		F Bolts	G	H	J	L	M	P	S	X Expansion	Y	Z
					Min	Max											
35 40	509	66.80	209.55	55.63	158.75	177.80	M12	23.88	22.35	125.48	74.17	57.15	140.21	5.56	5.56	0.51	45.72
45	510	71.12	209.55	60.45	165.10	177.80	M12	22.35	26.16	138.43	76.20	63.50	147.57	43.94	5.56	0.51	52.83
50	511	72.64	244.60	69.85	187.45	209.55	M16	30.48	26.16	151.64	83.31	69.85	162.05	43.94	6.75	0.51	58.42
60	513	76.96	279.40	82.55	218.44	241.30	M16	29.46	26.16	161.04	88.90	76.20	177.04	47.75	5.56	0.76	65.79
60 65	515	86.87	282.70	79.50	219.20	244.60	M16	28.70	31.75	174.24	98.04	82.55	188.47	52.32	7.94	0.76	74.68
70	516	88.90	319.79	88.90	250.95	279.40	M20	33.27	25.40	190.50	108.71	88.90	211.07	54.86	5.95	0.76	88.14
65 75	517	88.90	319.79	88.90	250.95	279.40	M20	33.27	31.75	196.85	108.71	95.25	211.07	54.86	5.95	0.76	88.14
90	520	105.66	390.14	110.24	299.97	333.50	M22	41.40	42.16	234.95	127.00	114.30	257.30	62.99	9.53	0.76	102.87

FEATURES/BENEFITS PAGE B14-2	SPECIFICATIONS PAGE B14-5	HOW TO ORDER/NOMENCLATURE PAGE B14-8	SELECTION PAGE B14-14
---------------------------------	------------------------------	---	--------------------------

DIMENSIONS



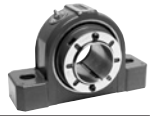
IMPERIAL ISAF 65 THRU 170MM - 4-BOLT



Bearing	Shaft Size in mm	Trident Seal				Labyrinth Seal			
		Non-Expansion		Expansion		Non-Expansion		Expansion	
		Part No.	Part Name	Part No.	Part Name	Part No.	Part Name	Part No.	Part Name
22215	65	077660	P4B515-ISAF-065MR		P4B515-ISAF-065MRE		P4B515-ISAF-065ML		P4B515-ISAF-065MLE
22215	70	077661	P4B516-ISAF-070MR		P4B516-ISAF-070MRE		P4B516-ISAF-070ML		P4B516-ISAF-070MLE
22215	75	062700	P4B517-ISAF-075MR		P4B517-ISAF-075MRE		P4B517-ISAF-075ML		P4B517-ISAF-075MLE
22218	85	077458	P4B520-ISAF-085MR		P4B520-ISAF-085MRE		P4B520-ISAF-085ML		P4B520-ISAF-085MLE
22220	90	077662	P4B520-ISAF-090MR		P4B520-ISAF-090MRE		P4B520-ISAF-090ML		P4B520-ISAF-090MLE
22220	90	073070	P4B522-ISAF-090MR	073071	P4B522-ISAF-090MRE		P4B522-ISAF-090ML		P4B522-ISAF-090MLE
22220	100	074867	P4B522-ISAF-100MR	074868	P4B522-ISAF-100MRE		P4B522-ISAF-100ML		P4B522-ISAF-100MLE
22222	110	075444	P4B526-ISAF-110MR	077561	P4B526-ISAF-110MRE		P4B526-ISAF-110ML		P4B526-ISAF-110MLE
22226	115	077652	P4B526-ISAF-115MR		P4B526-ISAF-115MRE		P4B526-ISAF-115ML		P4B526-ISAF-115MLE
22226	125	075431	P4B528-ISAF-125MR		P4B528-ISAF-125MRE	077473	P4B528-ISAF-125ML		P4B528-ISAF-125MLE
22228	130	075306	P4B532-ISAF-130MR		P4B532-ISAF-130MRE		P4B532-ISAF-130ML		P4B532-ISAF-130MLE
22228	140	073938	P4B532-ISAF-140MR		P4B532-ISAF-140MRE		P4B532-ISAF-140ML		P4B532-ISAF-140MLE
22232	150	075432	P4B534-ISAF-150MR	077897	P4B534-ISAF-150MRE		P4B534-ISAF-150ML		P4B534-ISAF-150MLE
22236	160	074613	P4B536-ISAF-160MR	074614	P4B536-ISAF-160MRE		P4B536-ISAF-160ML		P4B536-ISAF-160MLE
22236	170	062461	P4B536-ISAF-170MR		P4B536-ISAF-170MRE		P4B536-ISAF-170ML		P4B536-ISAF-170MLE
22236	170	062270	P4B538-ISAF-170MR		P4B538-ISAF-170MRE		P4B538-ISAF-170ML		P4B538-ISAF-170MLE

FEATURES/BENEFITS PAGE B14-2	SPECIFICATIONS PAGE B14-5	HOW TO ORDER/NOMENCLATURE PAGE B14-8	SELECTION PAGE B14-14
---------------------------------	------------------------------	---	--------------------------

DIMENSIONS



IMPERIAL ISAF 65 THRU 170MM - 4-BOLT

Bearing Reference Guide

E-Family Roller Bearings

Specialty Tapered Products

S-2000

UNISPHERE II

IMPERIAL

UNIFIED SAF

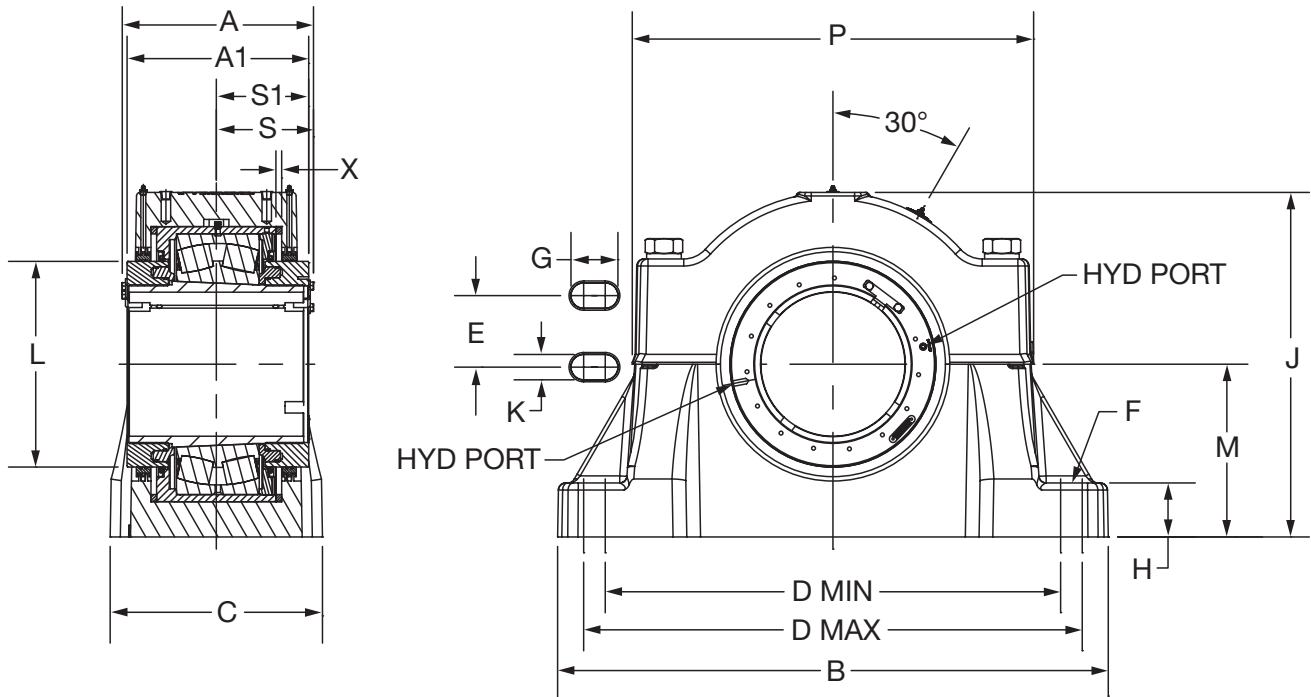
Shaft Size	SAF Series	A	B	C	D		E	F	G	H	J	L	M	P	S	X Expansion	Y	Z
					Min	Max												
65	515	86.87	282.70	79.50	219.20	244.60	47.75	M12	28.70	31.75	174.24	98.55	82.55	188.47	52.32	7.94	0.76	74.68
70	516	88.90	319.79	88.90	250.95	279.40	54.10	M16	33.27	25.40	190.50	108.71	88.90	211.07	54.86	5.95	0.76	88.14
75	517	88.90	319.79	88.90	250.95	279.40	54.10	M16	33.27	31.75	196.85	108.71	95.25	211.07	54.86	5.95	0.76	88.14
85 90	520	105.66	390.14	110.24	299.97	333.50	60.45	M20	41.40	40.64	234.95	127.00	114.30	257.30	62.99	9.53	0.76	102.87
90 100	522	119.38	419.10	120.65	319.79	368.30	69.85	M20	46.48	43.94	258.57	141.22	125.48	272.29	72.64	9.53	0.76	114.30
110 115	526	132.84	466.85	130.30	368.30	406.40	82.55	M22	44.45	52.32	296.16	163.58	152.40	316.74	78.49	9.53	1.02	127.00
		151.89										193.80			93.73			148.34
125	528	151.89	500.38	149.35	397.00	441.45	85.85	M24	50.80	52.32	315.21	193.80	152.40	339.85	93.73	9.53	1.02	148.34
130 140	532	156.72	550.16	158.75	441.45	488.95	95.25	M24	52.32	59.44	317.50	222.25	169.93	339.85	92.46	9.53	1.02	150.37
150	534	179.83	628.65	171.45	492.25	549.40	107.95	M24	57.15	73.15	347.73	260.35	179.32	383.29	104.39	9.53	1.02	178.31
160 170	536	187.71	679.45	188.72	530.35	600.20	102.36	M24	63.50	76.20	384.30	289.81	190.50	441.45	110.24	9.53	1.02	200.41
170	538	187.71	711.20	190.50	549.40	619.25	114.30	M30	69.85	79.50	393.70	289.81	200.15	441.45	110.24	9.53	1.02	200.41

FEATURES/BENEFITS PAGE B14-2	SPECIFICATIONS PAGE B14-5	HOW TO ORDER/NOMENCLATURE PAGE B14-8	SELECTION PAGE B14-14
---------------------------------	------------------------------	---	--------------------------

DIMENSIONS



ISAF PILLOW BLOCK HYDRAULIC

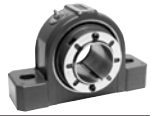


Part Numbers - Hydraulic ISAF

Housing Designation	Bearing Series	Shaft Size	Part Number	Description	Insert Number
532	22232K	5-7/16"	072955	P4B532-ISAF-507R HYD	072954
532	22232K	5-1/2"	072564	P4B532-ISAF-508R HYD	072572
534	22234K	5-15/16"	072959	P4B534-ISAF-515R HYD	072958
534	22234K	6"	072565	P4B534-ISAF-600R HYD	072573
536	22236K	6-7/16"	072963	P4B536-ISAF-607R HYD	072962
536	22236K	6-1/2"	072566	P4B536-ISAF-608R HYD	072574
538	22238K	6-15/16"	072967	P4B538-ISAF-615R HYD	072966
538	22238K	7"	072567	P4B538-ISAF-700R HYD	072575
544	22244K	7-15/16"	072490	P4B544-ISAF-715R HYD	072492
544	22244K	8"	072000	P4B544-ISAF-800R HYD	072014
048	23048K	8-1/2"	072820	P4B048-ISAF-808R HYD	072822
048	23048K	9"	072001	P4B048-ISAF-900R HYD	072015
3152	23152K	9-7/16"	072786	P4B3152-ISAF-907R HYD	072791
3152	23152K	9-1/2"	072789	P4B3152-ISAF-908R HYD	072792
056	23056K	10"	072002	P4B056-ISAF-1000R HYD	072016
056	23056K	10-7/16"	072772	P4B056-ISAF-1007R HYD	072771
056	23056K	10-1/2"	074115	P4B056-ISAF-1008R HYD	074117

Housing Designation	Bearing Series	Shaft Size	Part Number	Description	Insert Number
3156	23156K	10-7/16"	072742	P4B3156-ISAF-1007R HYD	072746
3156	23156K	10-1/2"	072744	P4B3156-ISAF-1008R HYD	072747
060	23060K	11"	072003	P4B056-ISAF-1100R HYD	072017
3160	23160K	10-15/16"	072831	P4B3160-ISAF-1015R HYD	072835
3160	23160K	11"	072833	P4B3160-ISAF-1100R HYD	072836
3164	23164K	11-15/16"	072857	P4B3164-ISAF-1115R HYD	
3164	23164K	12"	072859	P4B3164-ISAF-1200R HYD	
068	23068K	12-1/2"	072004	P4B068-ISAF-1208R HYD	072018
3168	23168K	12-7/16"	072910	P4B3168-ISAF-1207R HYD	
3168	23168K	12-1/2"	072911	P4B3168-ISAF-1208R HYD	
3172	23172K	13-7/16"	072706	P4B3172-ISAF-1307R HYD	072710
3172	23172K	13-1/2"	072708	P4B3172-ISAF-1308R HYD	072711
076	23076K	14"	072005	P4B076-ISAF-1400R HYD	072019
3176	23176K	13-15/16"	072688	P4B3176-ISAF-1400R HYD	072692
3176	23176K	14"	072690	P4B3176-ISAF-1315R HYD	072693
080	23080K	15"	072006	P4B080-ISAF-1500R HYD	072020

FEATURES/BENEFITS PAGE B14-2	SPECIFICATIONS PAGE B14-5	HOW TO ORDER/NOMENCLATURE PAGE B14-8	SELECTION PAGE B14-14
---------------------------------	------------------------------	---	--------------------------



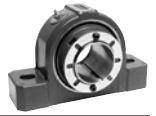
DIMENSIONS

ISAF PILLOW BLOCK HYDRAULIC

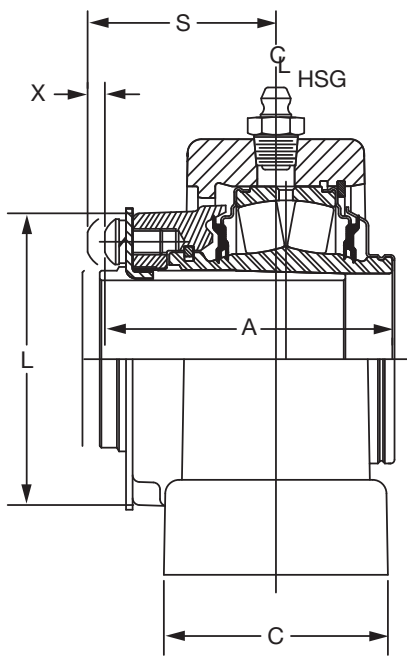
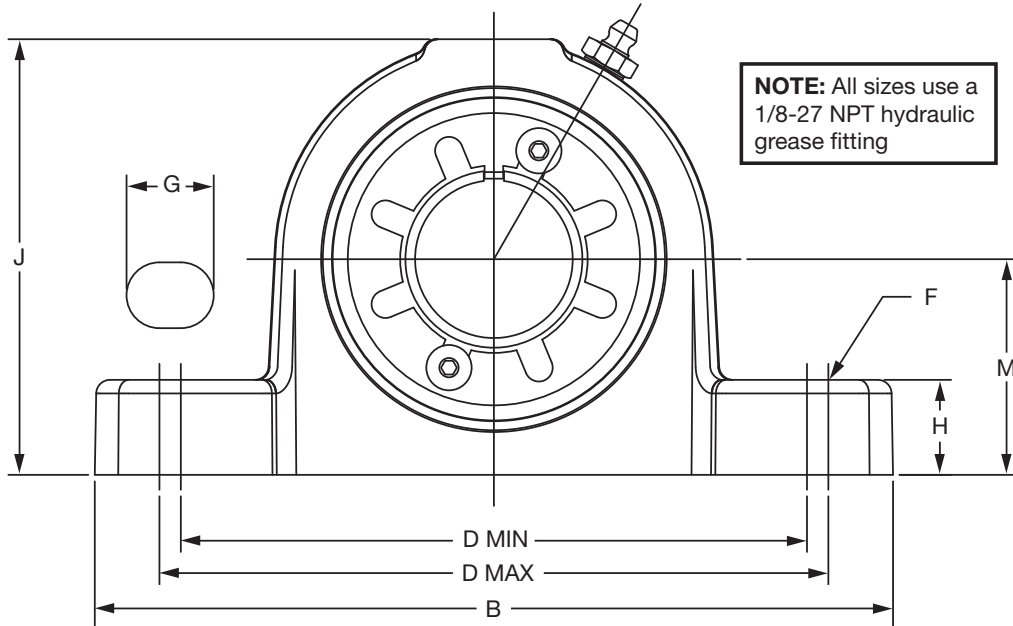
Shaft Size	SAF Series	Bearing Series	A	A1	B	C	D		E	F Bolts	G	H	J	K	L	M	P	S	S1	X Exp
							Min	Max												
5-7/16" 5-1/2"	532	22232K	9.59	9.05	21.66	6.25	17.38	19.25	3.75	1	2.06	2.34	13.82	1.12	9.68	6.69	16.38	4.68	4.41	0.38
5-15/16" 6"	534	22234K	9.81	9.26	24.75	6.75	19.38	21.63	4.25	1	2.25	2.87	14.56	1.12	10.19	7.06	17.38	4.81	4.54	0.38
6-7/16" 6-1/2"	536	22236K	10.15	9.60	26.75	7.13	20.88	23.63	4.63	1	2.50	3.00	15.25	1.12	10.45	7.50	18.38	4.82	4.55	0.38
6-15/16" 7"	538	22238K	10.20	9.66	28.00	7.50	21.63	24.38	4.50	1-1/4	2.75	3.13	16.37	1.38	10.96	7.88	19.38	4.94	4.67	0.38
7-15/16" 8"	544	22244K	10.58	9.91	32.75	8.88	24.75	27.88	5.25	1-1/2	3.18	3.75	19.38	1.62	12.23	9.50	22.75	5.12	4.79	0.38
8-1/2" 9"	048	23048K	10.28	9.62	28.75	8.00	22.50	25.00	5.00	1-1/4	2.63	3.38	17.34	1.38	12.24	8.25	20.88	5.14	4.80	0.38
9-7/16" 9-1/2"	3152	23152K	13.17	12.51	35.00	13.12	29.00	30.50	8.75	1-5/8	2.50	3.75	21.55	1.76	13.26	10.25	24.32	6.59	6.26	0.78
10" 10-7/16" 10-1/2"	056	23056K	10.99	10.33	34.25	9.00	26.25	29.50	5.50	1-1/2	3.25	4.00	20.12	1.62	14.28	9.88	23.88	5.58	5.24	0.38
10-7/16" 10-1/2"	3156	23156K	13.28	12.61	38.25	14.75	31.63	34.63	9.00	1-5/8	3.25	3.75	23.93	1.76	14.28	12.00	27.87	6.75	6.41	0.78
11"	060	23060K	11.49	10.82	38.25	14.75	31.63	34.63	9.00	1-5/8	3.25	3.75	23.93	1.76	15.30	12.00	27.87	5.71	5.38	0.38
10-15/16" 11"	3160	23160K	13.80	13.13	38.25	14.75	31.63	34.63	9.00	1-5/8	3.25	3.37	24.50	1.76	15.30	12.00	26.88	7.03	6.70	0.78
11-15/16" 12"	3164	23164K	14.46	13.79	41.75	15.75	35.00	36.50	10.50	1-7/8	2.75	4.50	26.58	2.00	16.33	12.81	29.50	7.22	6.89	0.78
12-1/2"	068	23068K	12.08	11.23	39.00	15.25	32.00	34.00	10.00	1-7/8	3.00	4.56	24.50	2.00	17.32	12.00	28.81	6.01	5.59	0.38
12-7/16" 12-1/2"	3168	23168K	15.23	14.39	43.58	17.75	36.75	38.25	10.75	2	2.87	5.00	28.06	2.12	17.31	14.00	31.50	7.58	7.16	0.78
13-7/16" 13-1/2"	3172	23172K	15.16	14.49	46.00	17.13	39.25	40.75	11.00	2	2.87	5.25	29.25	2.12	18.35	14.50	33.56	7.71	7.38	0.78
14"	076	23076K	13.01	12.09	41.75	15.75	35.00	36.50	10.50	2	2.87	4.50	26.58	2.12	18.48	12.81	29.50	6.40	5.94	0.38
13-15/16" 14"	3176	23176K	15.83	14.91	46.00	17.13	39.25	40.75	11.00	2	2.87	5.25	29.50	2.12	18.48	14.50	33.56	8.04	7.58	0.78
15"	080	23080K	13.54	12.62	46.00	17.13	39.25	40.75	11.00	2	2.87	5.75	29.00	2.12	19.49	14.50	33.56	6.68	6.22	0.38

FEATURES/BENEFITS PAGE B14-2	SPECIFICATIONS PAGE B14-5	HOW TO ORDER/NOMENCLATURE PAGE B14-8	SELECTION PAGE B14-14
---------------------------------	------------------------------	---	--------------------------

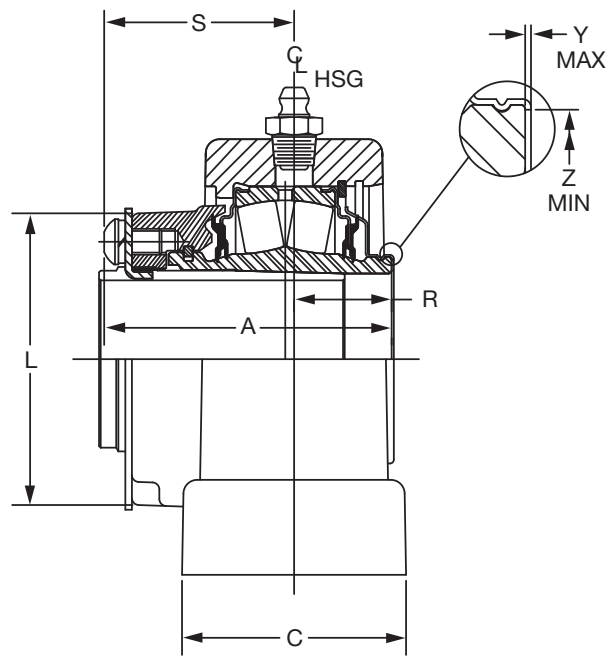
DIMENSIONS



IMPERIAL - ISN Metric Pillow Block 30 THROUGH 140mm, 2-BOLT



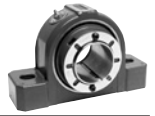
EXPANSION



NON-EXPANSION

FEATURES/BENEFITS PAGE B14-2	SPECIFICATIONS PAGE B14-5	HOW TO ORDER/NOMENCLATURE PAGE B14-8	SELECTION PAGE B14-14
---------------------------------	------------------------------	---	--------------------------

DIMENSIONS



IMPERIAL - ISN Metric Pillow Block 30 THROUGH 140mm, 2-BOLT

Bearing	Shaft Size mm	TRIDENT SEAL				LABYRINTH SEAL			
		NON-EXPANSION		EXPANSION		NON-EXPANSION		EXPANSION	
		Part Number	Description	Part Number	Description	Part Number	Description	Part Number	Description
22208	30mm	071000	P2B507-ISN-030MFR	071017	P2B507-ISN-030MLR	071034	P2B507-ISN-030MFS	071051	P2B507-ISN-030MLS
	35mm	071001	P2B508-ISN-035MFR	071018	P2B508-ISN-035MLR	071035	P2B508-ISN-035MFS	071052	P2B508-ISN-035MLS
22209	40mm	071002	P2B509-ISN-040MFR	071019	P2B509-ISN-040MLR	071036	P2B509-ISN-040MFS	071053	P2B509-ISN-040MLS
22210	45mm	071003	P2B510-ISN-045MFR	071020	P2B510-ISN-045MLR	071037	P2B510-ISN-045MFS	071054	P2B510-ISN-045MLS
	50mm	071004	P2B511-ISN-050MFR	071021	P2B511-ISN-050MLR	071038	P2B511-ISN-050MFS	071055	P2B511-ISN-050MLS
22211	55mm	071005	P2B512-ISN-055MFR	071022	P2B512-ISN-055MLR	071039	P2B512-ISN-055MFS	071056	P2B512-ISN-055MLS
22213	60mm	071006	P2B513-ISN-060MFR	071023	P2B513-ISN-060MLR	071040	P2B513-ISN-060MFS	071057	P2B513-ISN-060MLS
22215	65mm	071007	P2B515-ISN-065MFR	071024	P2B515-ISN-065MLR	071041	P2B515-ISN-065MFS	071058	P2B515-ISN-065MLS
22215	70mm	071008	P2B516-ISN-070MFR	071025	P2B516-ISN-070MLR	071042	P2B516-ISN-070MFS	071059	P2B516-ISN-070MLS
22215	75mm	071009	P2B517-ISN-075MFR	071026	P2B517-ISN-075MLR	071043	P2B517-ISN-075MFS	071060	P2B517-ISN-075MLS
22218	80mm	071010	P2B518-ISN-080MFR	071027	P2B518-ISN-080MLR	071044	P2B518-ISN-080MFS	071061	P2B518-ISN-080MLS
22218	85mm	071011	P2B519-ISN-085MFR	071028	P2B519-ISN-085MLR	071045	P2B519-ISN-085MFS	071062	P2B519-ISN-085MLS
22220	90mm	071012	P2B520-ISN-090MFR	071029	P2B520-ISN-090MLR	071046	P2B520-ISN-090MFS	071063	P2B520-ISN-090MLS
	100mm	071013	P2B522-ISN-100MFR	071030	P2B522-ISN-100MLR	071047	P2B522-ISN-100MFS	071064	P2B522-ISN-100MLS
22222	110mm	071014	P2B524-ISN-110MFR	071031	P2B524-ISN-110MLR	071048	P2B524-ISN-110MFS	071065	P2B524-ISN-110MLS
22226	115mm	071015	P2B526-ISN-115MFR	071032	P2B526-ISN-115MLR	071049	P2B526-ISN-115MFS	071066	P2B526-ISN-115MLS
	125mm	071016	P2B528-ISN-125MFR	071033	P2B528-ISN-125MLR	071050	P2B528-ISN-125MFS	071067	P2B528-ISN-125MLS
22228	135mm	071102	P2B530-ISN-135MFR	071103	P2B530-ISN-135MLR	071104	P2B530-ISN-135MFS	071105	P2B530-ISN-135MLS
22232	140mm	071106	P2B532-ISN-140MFR	071107	P2B532-ISN-140MLR	071108	P2B532-ISN-140MFS	071109	P2B532-ISN-140MLS

Shaft Size mm	A	B	C	D		F Bolt Dia.	G	H	J	L	M	R	S	T	Y	Z
				min.	max.											
30	66.7	184.9	52.0	145.0	155.0	M12	20.0	22.0	100.9	67.6	50.0	22.6	44.1	4.0	0.51	45.7
35	66.7	205.9	60.2	150.0	174.6	M12	27.3	25.0	110.8	67.6	60.0	22.6	44.1	4.0	0.51	45.7
40	71.4	206.3	60.2	155.0	174.6	M12	24.8	25.0	114.0	74.7	60.0	20.6	50.8	6.5	0.51	52.8
45	72.6	204.9	60.2	160.0	175.0	M12	22.5	25.0	113.8	81.0	60.0	21.1	51.4	6.5	0.51	58.4
50	72.6	253.9	70.2	190.0	215.9	M16	31.0	28.0	124.5	81.0	70.0	21.1	51.4	6.5	0.76	66.0
55	77.0	253.9	69.9	190.0	216.0	M16	31.0	30.0	130.3	87.1	70.0	23.1	54.2	7.0	0.76	66.0
60	86.9	274.9	80.2	205.0	235.0	M16	33.0	30.0	152.4	96.5	80.0	27.1	59.7	7.0	0.76	74.9
65	88.9	280.1	80.1	215.0	236.0	M16	28.5	30.0	156.0	106.7	80.0	26.9	61.7	7.0	0.76	88.1
70	88.9	315.9	90.2	244.5	268.3	M20	34.1	32.0	176.0	106.7	95.0	26.9	61.7	7.0	0.76	88.1
75	88.9	315.9	90.2	244.5	268.3	M20	34.1	32.0	176.0	106.7	95.0	26.9	61.7	7.0	0.76	88.1
80	106.0	345.3	100.3	270.0	293.7	M20	34.0	35.0	196.7	124.7	100.0	34.5	71.4	7.0	0.76	102.9
85	106.0	345.0	100.2	264.2	296.1	M20	37.9	35.0	205.2	124.7	112.0	34.5	71.4	7.0	0.76	102.9
90	120.0	379.8	110.2	292.8	327.0	M24	43.1	40.0	218.3	138.7	112.0	37.2	82.3	8.0	0.76	114.3
100	120.0	410.0	120.0	314.4	356.0	M24	46.8	45.0	239.0	138.7	125.0	37.2	82.3	8.0	1.02	127.0
110	133.0	410.0	120.0	314.5	356.0	M24	46.8	45.0	260.7	161.3	140.0	44.4	88.4	10.0	1.02	127.0
115	152.0	444.8	130.0	359.6	387.0	M24	41.7	50.0	292.8	191.8	150.0	48.6	103.2	10.0	1.02	148.3
125	152.0	500.0	150.2	400.0	427.0	M30	48.5	50.0	290.4	191.8	150.0	48.6	103.2	10.0	1.02	148.3
135	156.8	539.8	159.8	443.0	457.0	M30	42.0	60.0	312.5	222.2	160.0	51.8	105.0	16.3	1.02	150.4
140	179.8	560.0	160.0	463.0	477.0	M30	42.0	60.0	345.3	260.4	170.0	62.4	117.4	16.8	1.02	178.3

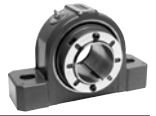
M = Size in millimeters otherwise 110 = 1 and 10/16"

Dimensions in mm

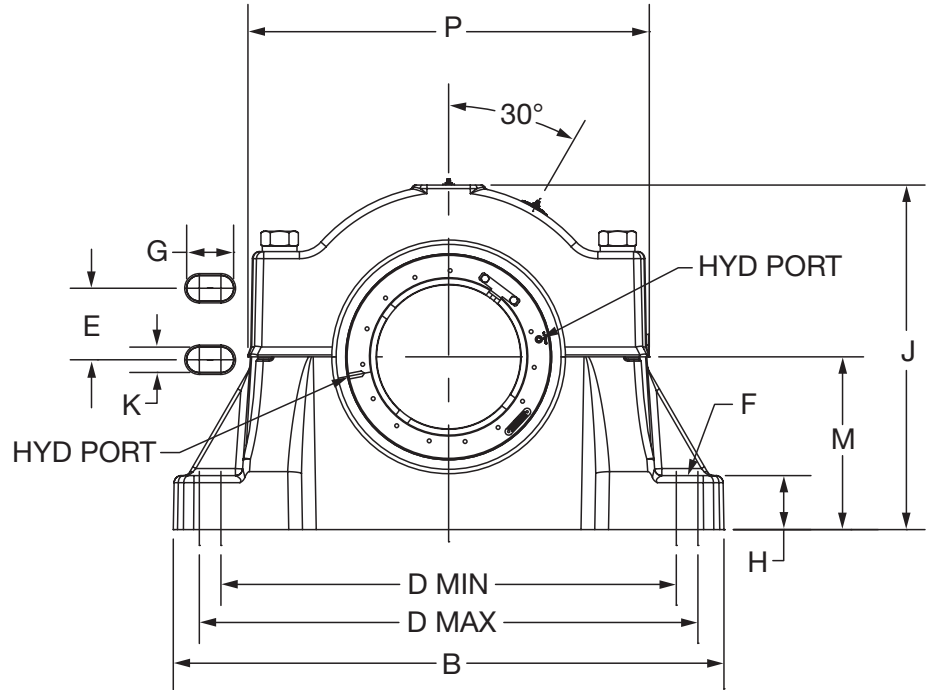
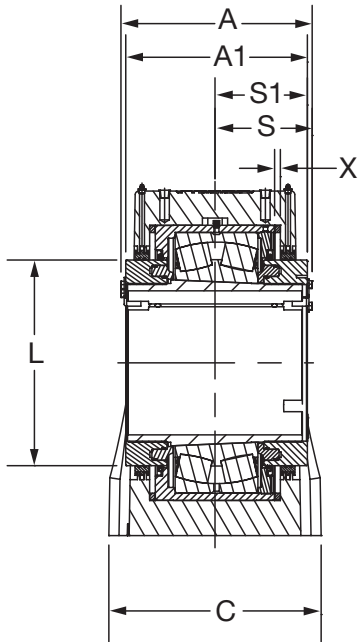
- F = Non-Expansion
- L = Expansion (Non-Locating)
- R = Trident Rubbing Seal
- S = Labyrinth Seal

FEATURES/BENEFITS PAGE B14-2	SPECIFICATIONS PAGE B14-5	HOW TO ORDER/NOMENCLATURE PAGE B14-8	SELECTION PAGE B14-14
---------------------------------	------------------------------	---	--------------------------

DIMENSIONS



ISNX Hydraulic



FEATURES/BENEFITS PAGE B14-2	SPECIFICATIONS PAGE B14-5	HOW TO ORDER/NOMENCLATURE PAGE B14-8	SELECTION PAGE B14-14
---------------------------------	------------------------------	---	--------------------------

DIMENSIONS



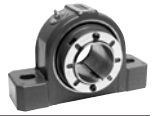
ISNX Hydraulic

Housing Designation	Bearing Series	Shaft Size	Part Number	Description	Insert Number
3134	23134K	150mm	072919	P4B134-ISNX-150MR HYD	072895
3136	23136K	160mm	072920	P4B136-ISNX-160MR HYD	072896
3138	23138K	170mm	072921	P4B138-ISNX-170MR HYD	072897
3140	23140K	180mm	072922	P4B140-ISNX-180MR HYD	072898
3144	23144K	200mm	072923	P4B144-ISNX-200MR HYD	072899
3148	23148K	220mm	072924	P4B148-ISNX-220MR HYD	072900
3152	23152K	240mm	072912	P4B152-ISNX-240MR HYD	072901
3156	23156K	260mm	072913	P4B156-ISNX-260MR HYD	072902
3160	23160K	280mm	072914	P4B160-ISNX-280MR HYD	072903
3164	23164K	300mm	072915	P4B164-ISNX-300MR HYD	072904
3168	23168K	320mm	072916	P4B168-ISNX-320MR HYD	072905
3172	23172K	340mm	072917	P4B172-ISNX-340MR HYD	072906
3176	23176K	360mm	072918	P4B176-ISNX-360MR HYD	072907

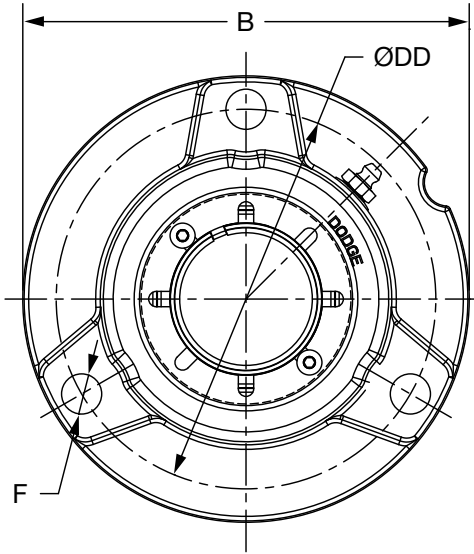
Shaft Size mm	Series	A	A1	A2	B	C	D		E	F Bolt Dia. mm	G	H	J	K	L	L2	M	P	S	S1	X Exp	Z
							min.	max.														
150	3134	254.5	240.5	155.2	510.0	180.1	423.9	436.1	100.1	24	34.0	70.1	360.4	27.9	252.5	268.7	169.9	416.1	124.0	116.8	19.8	0.0
160	3136	266.4	252.5	161.0	530.1	190.0	444.0	456.2	110.0	24	34.0	74.9	380.0	27.9	265.4	283.0	179.8	437.9	131.6	124.5	19.8	0.0
170	3138	268.5	254.5	168.1	560.1	210.1	474.0	486.2	119.9	24	34.0	80.0	399.5	27.9	278.4	295.9	190.0	458.2	133.9	127.0	19.8	0.0
180	3140	284.5	270.5	170.2	610.1	230.1	502.9	517.1	130.0	30	41.9	85.1	426.0	35.1	285.0	302.5	210.1	470.4	137.9	130.8	19.8	0.0
200	3144	294.9	277.9	175.8	640.1	239.8	532.9	547.1	140.2	30	41.9	89.9	450.9	35.1	310.6	328.4	220.0	500.4	143.8	135.1	19.8	0.0
220	3148	316.5	299.5	188.7	700.0	260.1	592.8	607.1	149.9	30	41.9	95.0	486.2	35.1	310.9	328.7	240.0	530.4	154.9	146.6	19.8	0.0
240	3152	334.5	317.8	197.1	770.1	279.9	642.1	658.1	160.0	36	50.0	100.1	546.9	41.9	336.8	354.3	259.8	617.7	167.4	159.0	19.8	0.0
260	3156	337.3	320.3	201.7	789.9	279.9	661.9	677.9	160.0	36	50.0	104.9	582.9	41.9	362.7	380.5	279.9	619.3	171.5	162.8	19.8	2.8
280	3160	350.5	333.5	208.5	830.1	310.1	702.1	718.1	190.0	36	50.0	110.0	617.5	41.9	388.6	405.9	300.0	682.8	178.6	170.2	19.8	3.0
300	3164	367.3	350.3	213.1	880.1	329.9	741.9	757.9	199.9	36	50.0	115.1	662.9	41.9	414.8	432.1	320.0	720.9	183.4	175.0	19.8	0.0
320	3168	386.8	365.5	222.3	950.0	359.9	802.1	818.1	220.0	36	50.0	119.9	697.0	41.9	439.7	457.2	339.9	755.9	192.5	181.9	19.8	0.0
340	3172	385.1	368.0	225.3	1000.0	359.9	832.1	848.1	220.0	36	50.0	119.9	724.7	41.9	466.1	483.6	350.0	809.8	195.8	187.5	19.8	2.3
360	3176	402.1	378.7	233.7	1039.9	359.9	862.1	878.1	220.0	36	50.0	119.9	740.9	41.9	469.4	486.7	359.9	822.5	204.2	192.5	19.8	0.0

FEATURES/BENEFITS PAGE B14-2	SPECIFICATIONS PAGE B14-5	HOW TO ORDER/NOMENCLATURE PAGE B14-8	SELECTION PAGE B14-14
---------------------------------	------------------------------	---	--------------------------

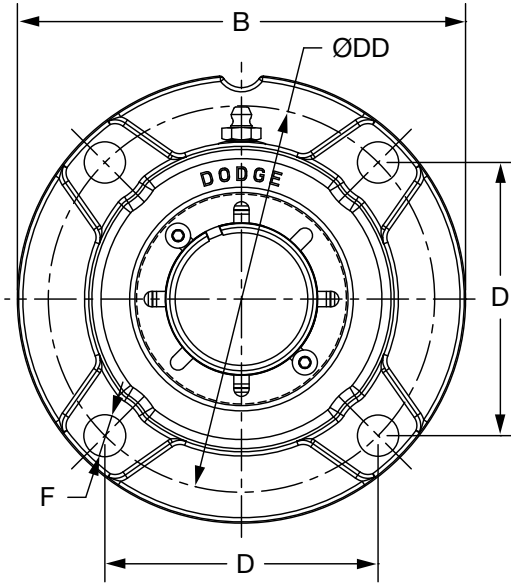
DIMENSIONS



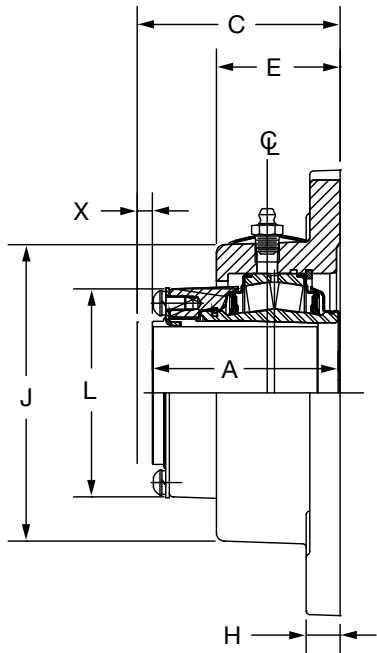
IMPERIAL - IP Flange - Round 1-1/8 THRU 2 INCH



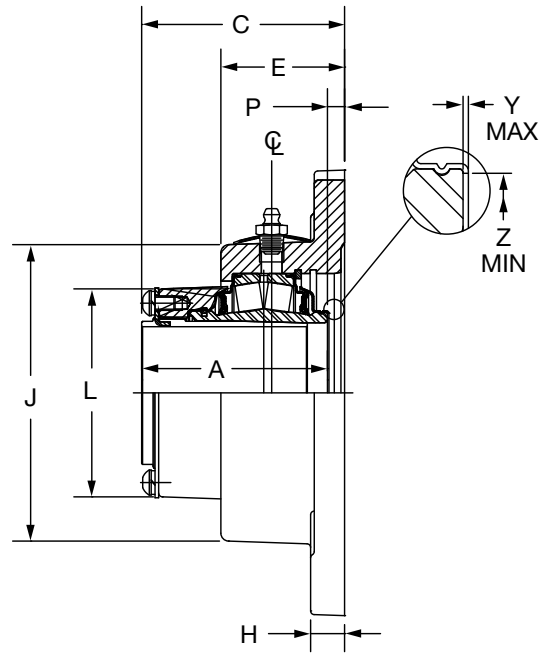
1-1/8" THRU 1-1/2"
CONSTRUCTION



1-5/8" - 2"
CONSTRUCTION



EXPANSION

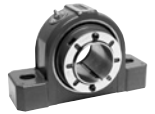


NON-EXPANSION

NOTE: See page B14-64 for 2-3/16 thru 3 inch

FEATURES/BENEFITS PAGE B14-2	SPECIFICATIONS PAGE B14-5	HOW TO ORDER/NOMENCLATURE PAGE B14-8	SELECTION PAGE B14-14
---------------------------------	------------------------------	---	--------------------------

DIMENSIONS



IMPERIAL - IP Flange - Round 1-1/8 THRU 2 INCH

Bearing Reference Guide

E-Family Roller Bearings

Specialty Tapered Products

S-2000

UNISPHERE II

IMPERIAL

UNIFIED SAF

Bearing	Shaft Size Inch	TRIDENT Seal				Labyrinth Seal			
		Non-Expansion		Expansion		Non-Expansion		Expansion	
		Part No.	Part Name	Part No.	Part Name	Part No.	Part Name	Part No.	Part Name
22208	1-1/8		F3R-IP-102R	069630	F3R-IP-102RE	069651	F3R-IP-102L	069672	F3R-IP-102LE
	1-3/16	069593	F3R-IP-103R	069631	F3R-IP-103RE	069652	F3R-IP-103L	069673	F3R-IP-103LE
	1-1/4	069594	F3R-IP-104R	069632	F3R-IP-104RE	069653	F3R-IP-104L	069674	F3R-IP-104LE
	1-3/8	069595	F3R-IP-106R	069633	F3R-IP-106RE	069654	F3R-IP-106L	069675	F3R-IP-106LE
	1-7/16	069596	F3R-IP-107R	069634	F3R-IP-107RE	069655	F3R-IP-107L	069676	F3R-IP-107LE
	1-1/2	069597	F3R-IP-108R	069635	F3R-IP-108RE	069656	F3R-IP-108L	069677	F3R-IP-108LE
22209	1-5/8	069598	F4R-IP-110R	069636	F4R-IP-110RE	069657	F4R-IP-110L	069678	F4R-IP-110LE
	1-11/16	069599	F4R-IP-111R	069637	F4R-IP-111RE	069658	F4R-IP-111L	069679	F4R-IP-111LE
	1-3/4	069600	F4R-IP-112R	069638	F4R-IP-112RE	069659	F4R-IP-112L	069680	F4R-IP-112LE
22210	1-7/8	069601	F4R-IP-114R	069639	F4R-IP-114RE	069660	F4R-IP-114L	069681	F4R-IP-114LE
	1-15/16	069602	F4R-IP-115R	069640	F4R-IP-115RE	069661	F4R-IP-115L	069682	F4R-IP-115LE
	2	069603	F4R-IP-200R	069641	F4R-IP-200RE	069662	F4R-IP-200L	069683	F4R-IP-200LE

Metric shaft sizes available upon request

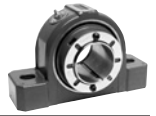
Shaft Size	A	B	C	D	DD	E	F Bolt Dia.	H	J	L	P	X Total Exp	Y	Z
1-1/8														
1-3/16														
1-1/4	2.63	5.88	2.86	3.53	5.00	1.80	*1/2	0.50	3.75	2.72	0.23	3/16	0.02	1.80
1-3/8														
1-7/16														
1-1/2														
1-5/8														
1-11/16	2.81	6.38	3.11	3.89	5.50	1.89	*1/2	0.50	4.25	3.00	0.27	1/4	0.02	2.08
1-3/4														
1-7/8														
1-15/16	2.86	6.69	3.16	4.06	5.75	1.92	**1/2	0.56	4.50	3.28	0.27	1/4	0.02	2.30
2														

* 3 Equally spaced bolt holes

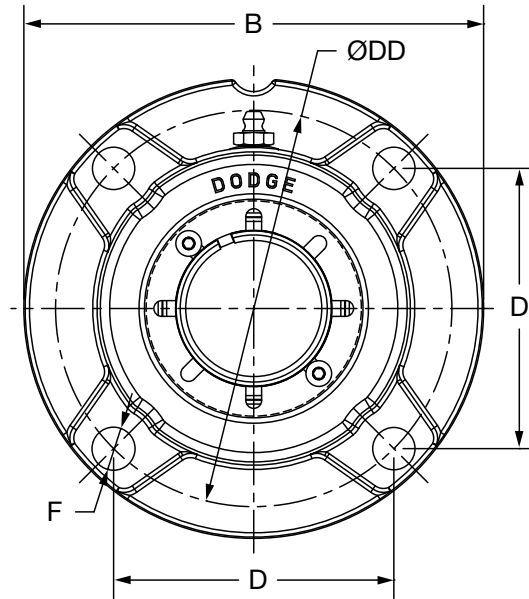
** 4 Equally spaced bolt holes

FEATURES/BENEFITS PAGE B14-2	SPECIFICATIONS PAGE B14-5	HOW TO ORDER/NOMENCLATURE PAGE B14-8	SELECTION PAGE B14-14
---------------------------------	------------------------------	---	--------------------------

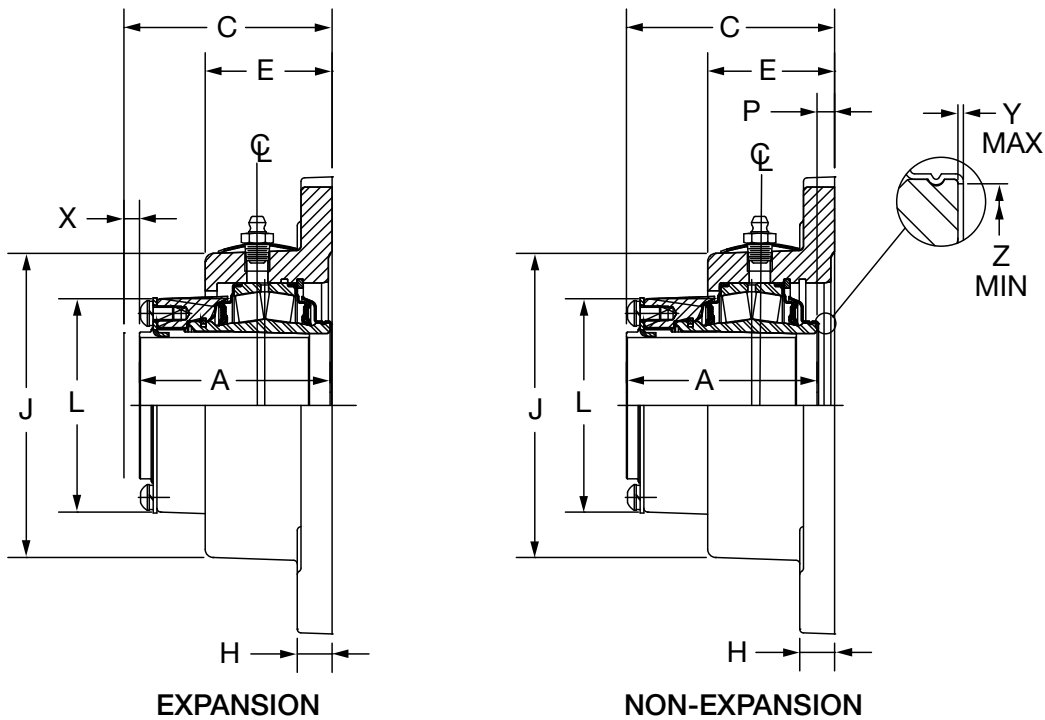
DIMENSIONS



IMPERIAL - IP Flange - Round 2-3/16 THRU 3 INCH



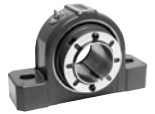
2-3/16" - 3"
CONSTRUCTION



NOTE: See page B14-62 for 1-1/8 thru 2 inch

FEATURES/BENEFITS PAGE B14-2	SPECIFICATIONS PAGE B14-5	HOW TO ORDER/NOMENCLATURE PAGE B14-8	SELECTION PAGE B14-14
---------------------------------	------------------------------	---	--------------------------

DIMENSIONS



IMPERIAL - IP Flange - Round 2-3/16 THRU 3 INCH

Bearing Reference Guide

E-Family Roller Bearings

Specialty Tapered Products

S-2000

UNISPHERE II

IMPERIAL

UNIFIED SAF

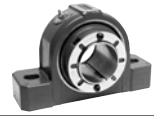
Bearing	Shaft Size Inch	TRIDENT Seal				Labyrinth Seal			
		Non-Expansion		Expansion		Non-Expansion		Expansion	
		Part No.	Part Name	Part No.	Part Name	Part No.	Part Name	Part No.	Part Name
22211	2-3/16	069604	F4R-IP-203R	069642	F4R-IP-203RE	069663	F4R-IP-203L	069684	F4R-IP-203LE
	2-1/4	069605	F4R-IP-204R	069643	F4R-IP-204RE	069664	F4R-IP-204L	069685	F4R-IP-204LE
22213	2-3/8	069606	F4R-IP-206R	069644	F4R-IP-206RE	069665	F4R-IP-206L	069686	F4R-IP-206LE
	2-7/16	069607	F4R-IP-207R	069645	F4R-IP-207RE	069666	F4R-IP-207L	069687	F4R-IP-207LE
	2-1/2	069608	F4R-IP-208R	069646	F4R-IP-208RE	069667	F4R-IP-208L	069688	F4R-IP-208LE
22215	2-11/16	069609	F4R-IP-211R	069647	F4R-IP-211RE	069668	F4R-IP-211L	069689	F4R-IP-211LE
	2-3/4	069610	F4R-IP-212R	069648	F4R-IP-212RE	069669	F4R-IP-212L	069690	F4R-IP-212LE
	2-15/16	069611	F4R-IP-215R	069649	F4R-IP-215RE	069670	F4R-IP-215L	069691	F4R-IP-215LE
	3	069612	F4R-IP-300R	069650	F4R-IP-300RE	069671	F4R-IP-300L	069692	F4R-IP-300LE

Metric shaft sizes available upon request

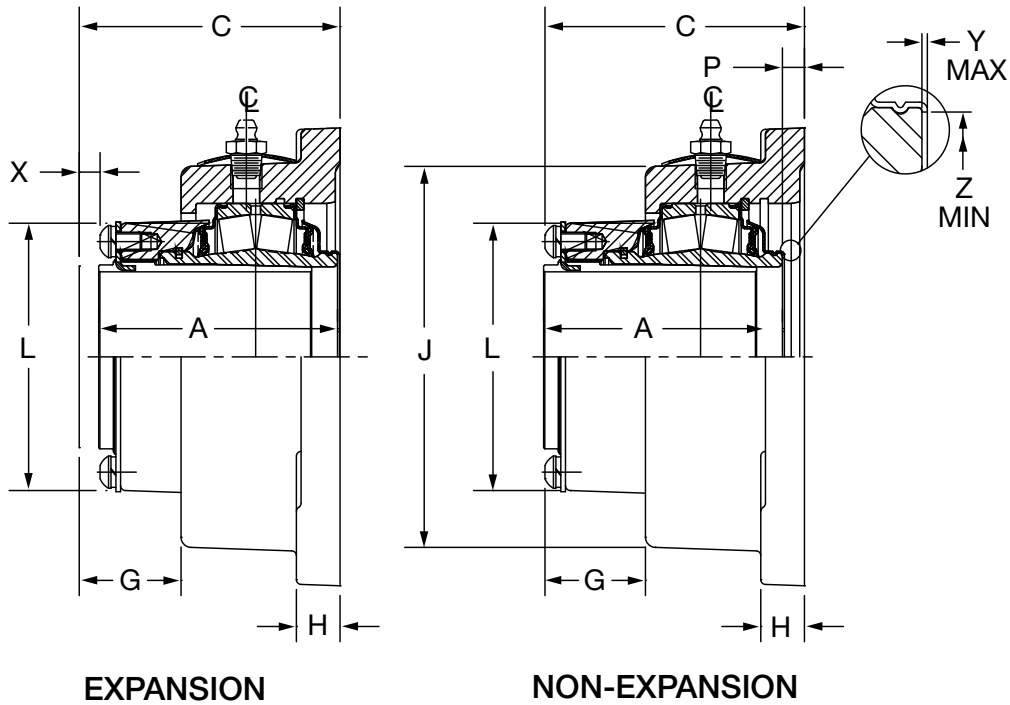
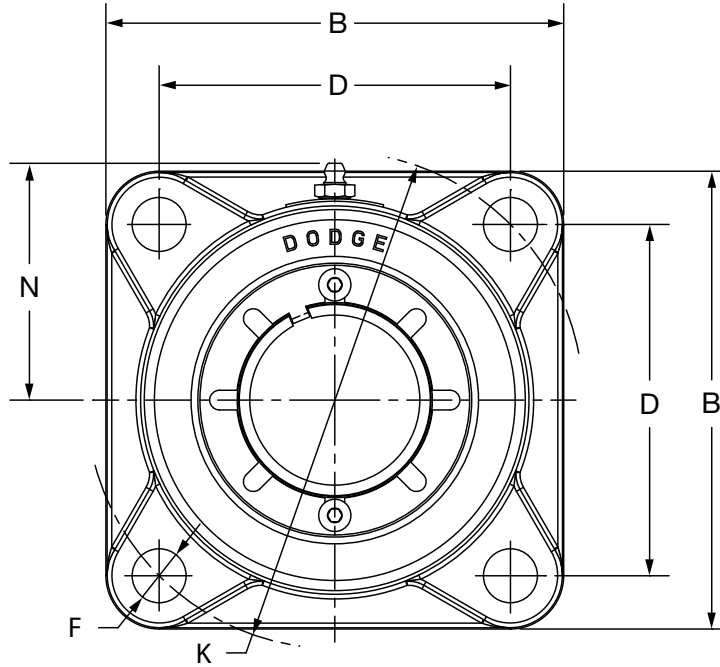
Shaft Size	A	B	C	D	DD	E	F Bolt Dia.	H	J	L	P	X Total Exp	Y	Z
2-3/16 2-1/4	3.03	7.38	3.34	4.50	6.38	2.05	5/8	0.56	4.80	3.50	0.31	1/4	0.03	2.60
2-3/8 2-7/16 2-1/2	3.42	7.75	3.73	4.77	6.75	2.38	5/8	0.64	5.38	3.88	0.31	1/4	0.03	2.95
2-11/16 2-3/4 2-15/16 3	3.50	9.25	3.81	5.56	7.88	2.39	3/4	0.75	6.25	4.28	0.31	1/4	0.03	3.47

FEATURES/BENEFITS PAGE B14-2	SPECIFICATIONS PAGE B14-5	HOW TO ORDER/NOMENCLATURE PAGE B14-8	SELECTION PAGE B14-14
---------------------------------	------------------------------	---	--------------------------

DIMENSIONS

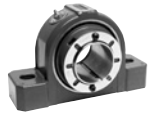


IMPERIAL - IP Flange - Square 1-1/8 THRU 2-1/4 INCH



NOTE: See page B14-68 for 2-3/8 thru 4 inch

FEATURES/BENEFITS PAGE B14-2	SPECIFICATIONS PAGE B14-5	HOW TO ORDER/NOMENCLATURE PAGE B14-8	SELECTION PAGE B14-14
---------------------------------	------------------------------	---	--------------------------



DIMENSIONS

IMPERIAL - IP Flange - Square 1-1/8 THRU 2-1/4 INCH

Bearing	Shaft Size Inch	TRIDENT Seal				Labyrinth Seal			
		Non-Expansion		Expansion		Non-Expansion		Expansion	
		Part No.	Part Name	Part No.	Part Name	Part No.	Part Name	Part No.	Part Name
22208	1-1/8	069693	F4S-IP-102R	069721	F4S-IP-102RE	069749	F4S-IP-102L	069777	F4S-IP-102LE
	1-3/16	069694	F4S-IP-103R	069722	F4S-IP-103RE	069750	F4S-IP-103L	069778	F4S-IP-103LE
	1-1/4	069695	F4S-IP-104R	069723	F4S-IP-104RE	069751	F4S-IP-104L	069779	F4S-IP-104LE
	1-3/8	069696	F4S-IP-106R	069724	F4S-IP-106RE	069752	F4S-IP-106L	069780	F4S-IP-106LE
	1-7/16	069697	F4S-IP-107R	069725	F4S-IP-107RE	069753	F4S-IP-107L	069781	F4S-IP-107LE
	1-1/2	069698	F4S-IP-108R	069726	F4S-IP-108RE	069754	F4S-IP-108L	069782	F4S-IP-108LE
22209	1-5/8	069699	F4S-IP-110R	069727	F4S-IP-110RE	069755	F4S-IP-110L	069783	F4S-IP-110LE
	1-11/16	069700	F4S-IP-111R	069728	F4S-IP-111RE	069756	F4S-IP-111L	069784	F4S-IP-111LE
	1-3/4	069701	F4S-IP-112R	069729	F4S-IP-112RE	069757	F4S-IP-112L	069785	F4S-IP-112LE
22210	1-7/8	069702	F4S-IP-114R	069730	F4S-IP-114RE	069758	F4S-IP-114L	069786	F4S-IP-114LE
	1-15/16	069703	F4S-IP-115R	069731	F4S-IP-115RE	069759	F4S-IP-115L	069787	F4S-IP-115LE
	2	069704	F4S-IP-200R	069732	F4S-IP-200RE	069760	F4S-IP-200L	069788	F4S-IP-200LE
22211	2-3/16	069705	F4S-IP-203R	069733	F4S-IP-203RE	069761	F4S-IP-203L	069789	F4S-IP-203LE
	2-1/4	069706	F4S-IP-204R	069734	F4S-IP-204RE	069762	F4S-IP-204L	069790	F4S-IP-204LE

Metric shaft sizes available upon request

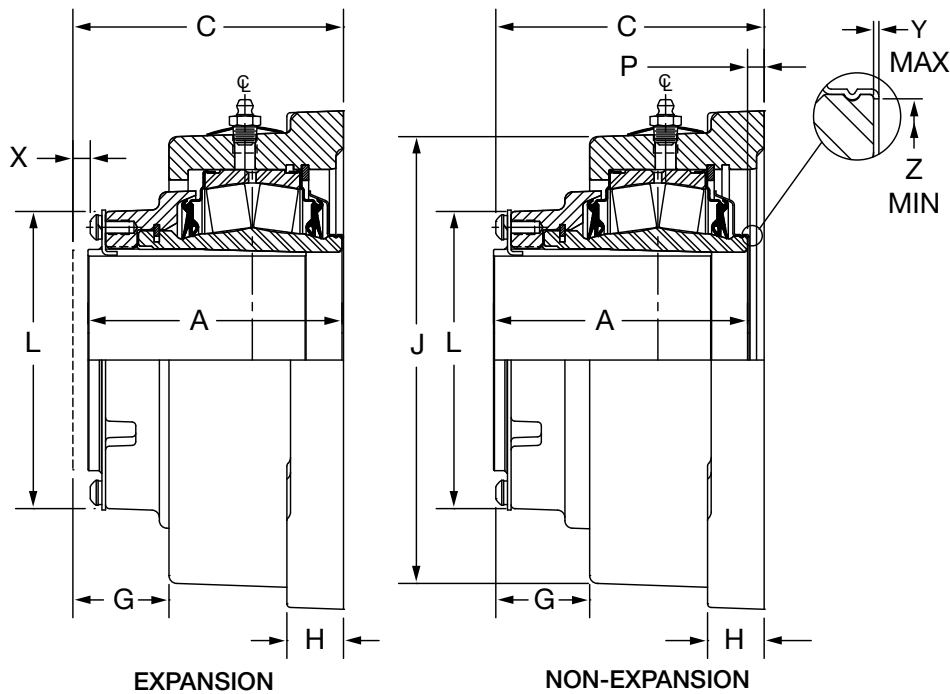
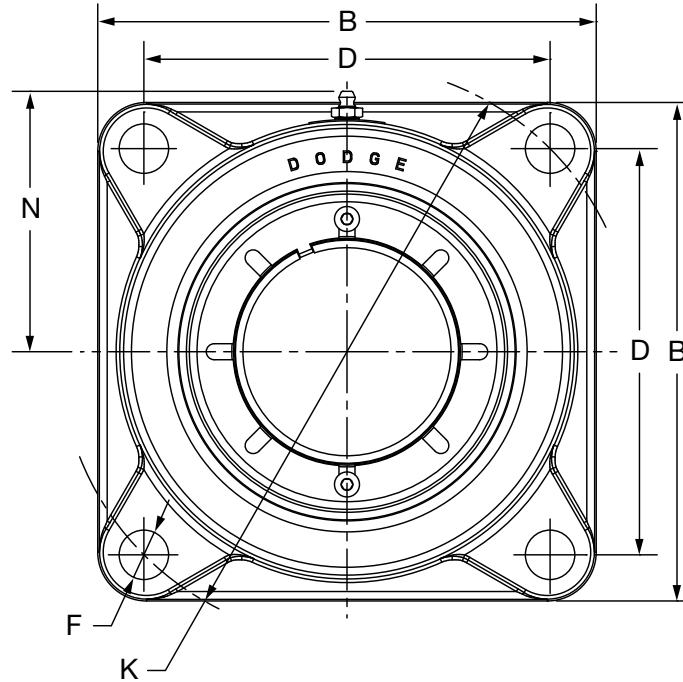
Shaft Size	A	B	C	D	F Bolt Dia.	G	H	J	K	L	N	P	X Total Exp.	Y	Z
1-1/8	2.63	4.75	2.86	3.53	1/2	1.08	0.50	3.81	5.00	2.72	2.48	0.23	3/16	0.02	1.80
1-3/16															
1-1/4															
1-3/8															
1-7/16															
1-1/2															
1-5/8	2.81	5.13	3.11	3.89	1/2	1.20	0.50	4.41	5.50	3.00	2.78	0.30	1/4	0.02	2.08
1-11/16															
1-3/4															
1-7/8	2.86	5.30	3.16	4.06	1/2	1.23	0.56	4.97	5.75	3.28	2.91	0.30	1/4	0.02	2.30
1-15/16															
2															
2-3/16	3.03	5.88	3.34	4.52	5/8	1.31	0.56	5.02	6.38	3.80	3.09	0.31	1/4	0.02	2.60
2-1/4															

FEATURES/BENEFITS PAGE B14-2	SPECIFICATIONS PAGE B14-5	HOW TO ORDER/NOMENCLATURE PAGE B14-8	SELECTION PAGE B14-14
---------------------------------	------------------------------	---	--------------------------

DIMENSIONS

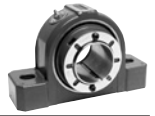


IMPERIAL - IP Flange - Square 2-3/8 THRU 4 INCH



NOTE: See page B14-66 for 1-1/8 thru 2-1/4 inch

FEATURES/BENEFITS PAGE B14-2	SPECIFICATIONS PAGE B14-5	HOW TO ORDER/NOMENCLATURE PAGE B14-8	SELECTION PAGE B14-14
---------------------------------	------------------------------	---	--------------------------



DIMENSIONS

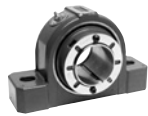
IMPERIAL - IP Flange - Square 2-3/8 THRU 4 INCH

Bearing	Shaft Size Inch	TRIDENT Seal				Labyrinth Seal			
		Non-Expansion		Expansion		Non-Expansion		Expansion	
		Part No.	Part Name	Part No.	Part Name	Part No.	Part Name	Part No.	Part Name
22213	2-3/8	069707	F4S-IP-206R	069735	F4S-IP-206RE	069763	F4S-IP-206L	069791	F4S-IP-206LE
	2-7/16	069708	F4S-IP-207R	069736	F4S-IP-207RE	069764	F4S-IP-207L	069792	F4S-IP-207LE
	2-1/2	069709	F4S-IP-208R	069737	F4S-IP-208RE	069765	F4S-IP-208L	069793	F4S-IP-208LE
22215	2-11/16	069710	F4S-IP-211R	069738	F4S-IP-211RE	069766	F4S-IP-211L	069794	F4S-IP-211LE
	2-3/4	069711	F4S-IP-212R	069739	F4S-IP-212RE	069767	F4S-IP-212L	069795	F4S-IP-212LE
	2-15/16	069712	F4S-IP-215R	069740	F4S-IP-215RE	069768	F4S-IP-215L	069796	F4S-IP-215LE
	3	069713	F4S-IP-300R	069741	F4S-IP-300RE	069769	F4S-IP-300L	069797	F4S-IP-300LE
22218	3-3/16	069714	F4S-IP-303R	069742	F4S-IP-303RE	069770	F4S-IP-303L	069798	F4S-IP-303LE
	3-1/4	069715	F4S-IP-304R	069743	F4S-IP-304RE	069771	F4S-IP-304L	069799	F4S-IP-304LE
	3-7/16	069716	F4S-IP-307R	069744	F4S-IP-307RE	069772	F4S-IP-307L	069800	F4S-IP-307LE
	3-1/2	069717	F4S-IP-308R	069745	F4S-IP-308RE	069773	F4S-IP-308L	069801	F4S-IP-308LE
22220	3-11/16	069718	F4S-IP-311R	069746	F4S-IP-311RE	069774	F4S-IP-311L	069802	F4S-IP-311LE
	3-15/16	069719	F4S-IP-315R	069747	F4S-IP-315RE	069775	F4S-IP-315L	069803	F4S-IP-315LE
	4	069720	F4S-IP-400R	069748	F4S-IP-400RE	069776	F4S-IP-400L	069804	F4S-IP-400LE

Metric shaft sizes available upon request

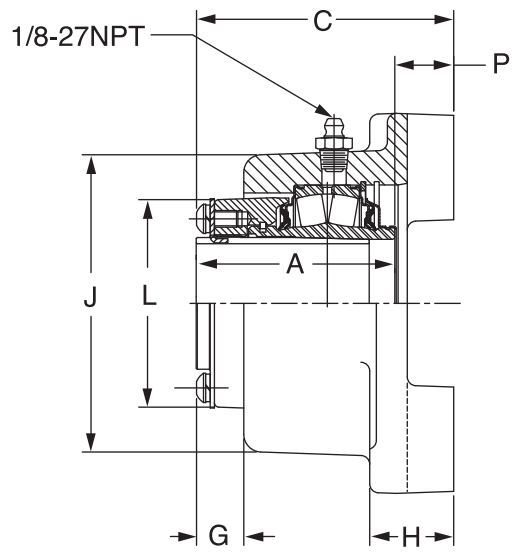
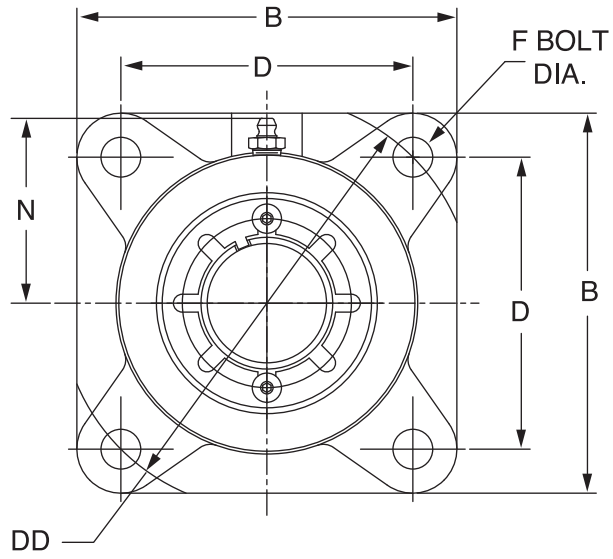
Shaft Size	A	B	C	D	F Bolt Dia.	G	H	J	K	L	N	P	X Total Exp.	Y	Z
2-3/8 2-7/16 2-1/2	3.42	6.13	3.73	4.78	5/8	1.36	0.64	5.63	6.75	3.88	3.41	0.31	1/4	0.03	2.95
2-11/16 2-3/4 2-15/16 3	3.50	7.18	3.81	5.56	3/4	1.42	0.75	6.50	7.88	4.28	3.84	0.31	1/4	0.03	3.47
3-3/16 3-1/4 3-7/16 3-1/2	4.17	8.25	4.48	6.72	3/4	1.59	0.94	7.48	9.50	5.00	4.33	0.31	1/4	0.03	4.05
3-11/16 3-15/16 4	4.70	9.25	5.08	7.61	7/8	1.78	1.06	8.22	10.75	5.56	4.70	0.38	5/16	0.03	4.50

FEATURES/BENEFITS PAGE B14-2	SPECIFICATIONS PAGE B14-5	HOW TO ORDER/NOMENCLATURE PAGE B14-8	SELECTION PAGE B14-14
---------------------------------	------------------------------	---	--------------------------

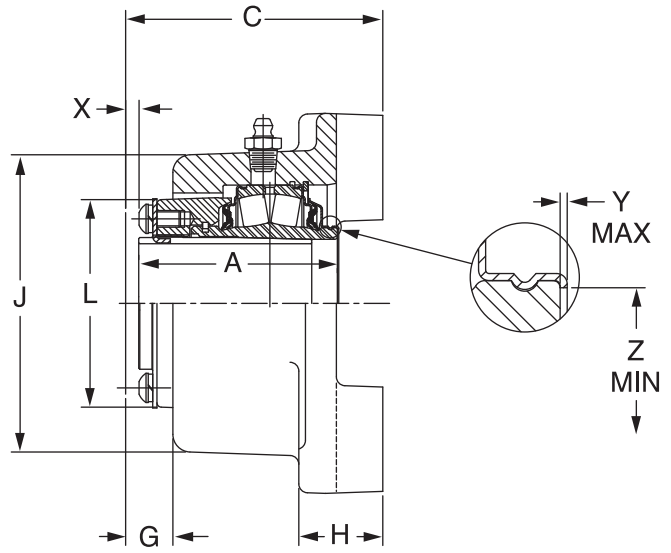


DIMENSIONS

IMPERIAL - IP Flange - Square with Type E Dimensions 1-3/8 THRU 2-3/16 INCH



NON-EXPANSION

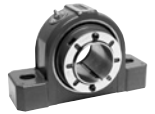


EXPANSION

NOTE: See page B14-72 for 2-1/4 thru 4-1/2 inch

FEATURES/BENEFITS PAGE B14-2	SPECIFICATIONS PAGE B14-5	HOW TO ORDER/NOMENCLATURE PAGE B14-8	SELECTION PAGE B14-14
---------------------------------	------------------------------	---	--------------------------

DIMENSIONS



IMPERIAL - IP Flange - Square with Type E Dimensions 1-3/8 THRU 2-3/16 INCH

Bearing Reference Guide

E-Family Roller Bearings

Specialty Tapered Products

S-2000

UNISPHERE II

IMPERIAL

UNIFIED SAF

Bearing Series	Shaft Size*	TRIDENT Seal				Labyrinth Seal			
		Non-Expansion		Expansion		Non-Expansion		Expansion	
		Part No.	Part Name	Part No.	Part Name	Part No.	Part Name	Part No.	Part Name
22208	1-3/8	071288	EF4B-IP-106R	071313	EF4B-IP-106RE	071338	EF4B-IP-106L	071364	EF4B-IP-106LE
	1-7/16	071289	EF4B-IP-107R	071314	EF4B-IP-107RE	071339	EF4B-IP-107L	071365	EF4B-IP-107LE
22209	1-1/2	071290	EF4B-IP-108R	071315	EF4B-IP-108RE	071340	EF4B-IP-108L	071366	EF4B-IP-108LE
	1-5/8	071291	EF4B-IP-110R	071316	EF4B-IP-110RE	071341	EF4B-IP-110L	071367	EF4B-IP-110LE
	1-11/16	071292	EF4B-IP-111R	071317	EF4B-IP-111RE	071342	EF4B-IP-111L	071368	EF4B-IP-111LE
22210	1-3/4	071293	EF4B-IP-112R	071318	EF4B-IP-112RE	071343	EF4B-IP-112L	071369	EF4B-IP-112LE
	1-7/8	071294	EF4B-IP-114R	071319	EF4B-IP-114RE	071344	EF4B-IP-114L	071370	EF4B-IP-114LE
	1-15/16	071295	EF4B-IP-115R	071320	EF4B-IP-115RE	071345	EF4B-IP-115L	071371	EF4B-IP-115LE
	2	071296	EF4B-IP-200R	071321	EF4B-IP-200RE	071346	EF4B-IP-200L	071372	EF4B-IP-200LE
22211	2-3/16	071297	EF4B-IP-203R	071322	EF4B-IP-203RE	071347	EF4B-IP-203L	071373	EF4B-IP-203LE

*Consult Dodge For Sizes Not Listed

Shaft Size	A	B#	C#	D	DD	Bolt Dia.	G	H#	J#	L	N	P	X Total Exp.	Y	Z
1-3/8 1-7/16	2.63	4.63	3.15	3.50	4.95	1/2	0.66	1.06	3.88	2.72	2.34	0.53	5/32	0.02	1.80
1-1/2 1-5/8 1-11/16	2.81	5.38	3.64	4.13	5.83	1/2	0.67	1.19	4.18	3.00	2.50	0.83	3/16	0.02	2.08
1-3/4 1-7/8 1-15/16 2	2.86	5.63	3.64	4.38	6.19	1/2	0.65	1.18	4.36	3.28	2.60	0.79	7/32	0.02	2.30
2-3/16	3.03	6.25	3.96	4.88	6.90	5/8	0.68	1.38	4.88	3.50	2.88	0.94	1/4	0.02	2.60

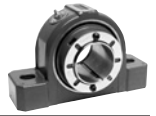
Note(S): "P" Dimension Is For Non-Expansion Only

"A" And "P" Dimensions Do Not Include "Y" Dimension

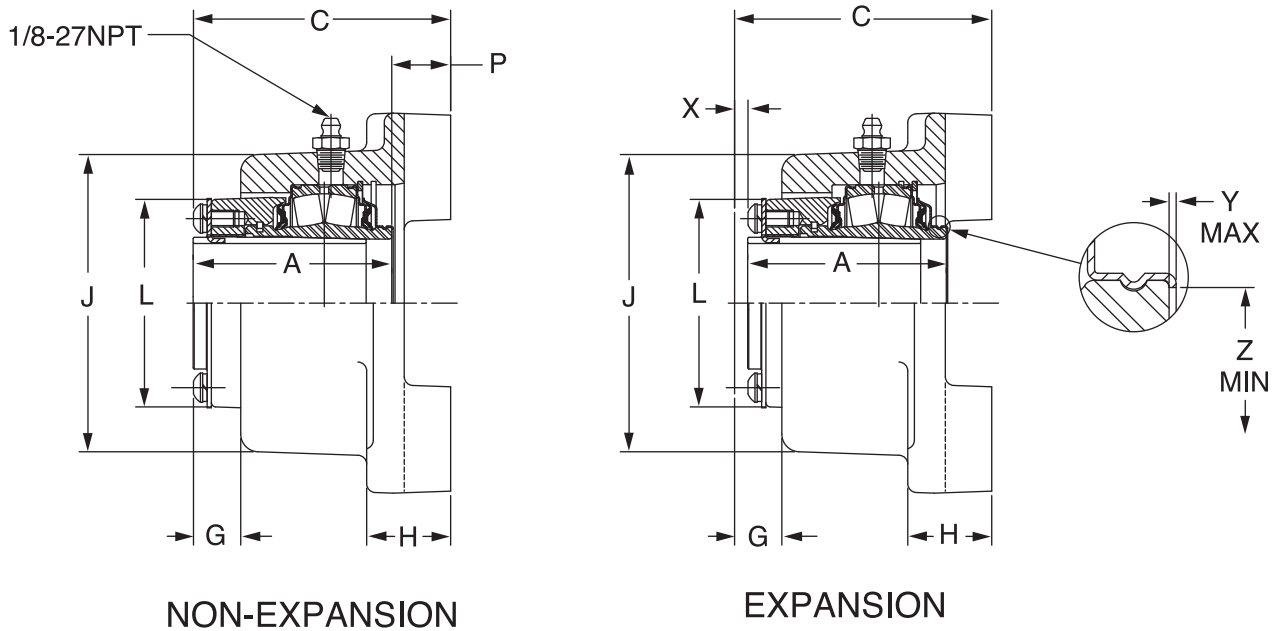
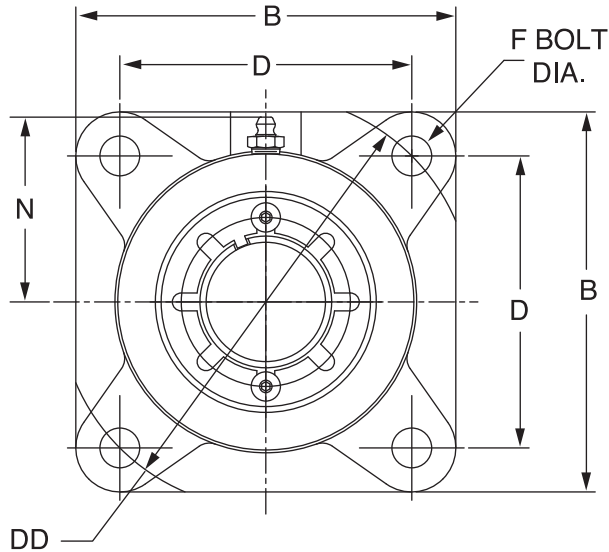
Reference Dimension Only

FEATURES/BENEFITS PAGE B14-2	SPECIFICATIONS PAGE B14-5	HOW TO ORDER/NOMENCLATURE PAGE B14-8	SELECTION PAGE B14-14
---------------------------------	------------------------------	---	--------------------------

DIMENSIONS

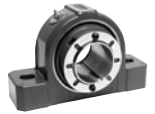


IMPERIAL - IP Flange - Square with Type E Dimensions 2-1/4 THRU 4-1/2 INCH



NOTE: See page B14-70 for 1-3/8 thru 2-3/16 inch

FEATURES/BENEFITS PAGE B14-2	SPECIFICATIONS PAGE B14-5	HOW TO ORDER/NOMENCLATURE PAGE B14-8	SELECTION PAGE B14-14
---------------------------------	------------------------------	---	--------------------------



DIMENSIONS

IMPERIAL - IP Flange - Square with Type E Dimensions 2-1/4 THRU 4-1/2 INCH

Bearing Reference Guide

E-Family Roller Bearings

Specialty Tapered Products

S-2000

UNISPHERE II

IMPERIAL

UNIFIED SAF

Bearing Series	Shaft Size*	TRIDENT Seal				Labyrinth Seal			
		Non-Expansion		Expansion		Non-Expansion		Expansion	
		Part No.	Part Name	Part No.	Part Name	Part No.	Part Name	Part No.	Part Name
22213	2-1/4	071298	EF4B-IP-204R	071323	EF4B-IP-204RE	071348	EF4B-IP-204L	071374	EF4B-IP-204LE
	2-7/16	071299	EF4B-IP-207R	071324	EF4B-IP-207RE	071349	EF4B-IP-207L	071375	EF4B-IP-207LE
	2-1/2	071300	EF4B-IP-208R	071325	EF4B-IP-208RE	071350	EF4B-IP-208L	071376	EF4B-IP-208LE
22215	2-11/16	071301	EF4B-IP-211R	071326	EF4B-IP-211RE	071351	EF4B-IP-211L	071377	EF4B-IP-211LE
	2-3/4	071302	EF4B-IP-212R	071327	EF4B-IP-212RE	071352	EF4B-IP-212L	071378	EF4B-IP-212LE
	2-15/16	071303	EF4B-IP-215R	071328	EF4B-IP-215RE	071353	EF4B-IP-215L	071379	EF4B-IP-215LE
	3	071304	EF4B-IP-300R	071329	EF4B-IP-300RE	071354	EF4B-IP-300L	071380	EF4B-IP-300LE
22218	3-3/16	071305	EF4B-IP-303R	071330	EF4B-IP-303RE	071355	EF4B-IP-303L	071381	EF4B-IP-303LE
	3-1/4	071306	EF4B-IP-304R	071331	EF4B-IP-304RE	071356	EF4B-IP-304L	071382	EF4B-IP-304LE
	3-7/16	071307	EF4B-IP-307R	071332	EF4B-IP-307RE	071357	EF4B-IP-307L	071383	EF4B-IP-307LE
	3-1/2	071308	EF4B-IP-308R	071333	EF4B-IP-308RE	071358	EF4B-IP-308L	071384	EF4B-IP-308LE
22220	3-15/16	071309	EF4B-IP-315R	071334	EF4B-IP-315RE	071359	EF4B-IP-315L	071385	EF4B-IP-315LE
	4	071310	EF4B-IP-400R	071335	EF4B-IP-400RE	071360	EF4B-IP-400L	071386	EF4B-IP-400LE
22222	4-7/16	071311	EF4B-IP-407R	071336	EF4B-IP-407RE	071361	EF4B-IP-407L	071387	EF4B-IP-407LE
	4-1/2	071312	EF4B-IP-408R	071337	EF4B-IP-408RE	071362	EF4B-IP-408L	071388	EF4B-IP-408LE

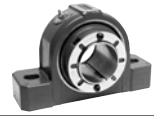
*Consult Dodge For Sizes Not Listed

Shaft Size*	A	B#	C#	D	DD	F Bolt Dia	G	H#	J#	L	N	P	X Total Exp.	Y	Z
2-1/4 2-7/16 2-1/2	3.42	6.88	4.41	5.37	7.60	5/8	1.04	1.50	5.81	3.88	3.32	0.99	1/4	0.03	2.95
2-11/16 2-3/4 2-15/16 3	3.50	7.75	4.59	6.00	8.49	3/4	0.79	1.61	6.30	4.28	3.58	1.1	1/4	0.03	3.47
3-3/16 3-1/4 3-7/16 3-1/2	4.17	9.25	5.4	7.00	9.90	3/4	1.12	1.88	7.44	5	4.15	1.24	1/4	0.03	4.05
3-15/16 4	4.70	10.25	6.73	7.75	10.96	7/8	1.22	2.12	8.27	5.56	4.58	2.02	5/16	0.03	4.50
4-7/16 4-1/2	5.23	10.88	7.12	8.75	12.37	7/8	1.42	2.43	9.13	6.44	5.01	1.89	3/8	0.04	5.00

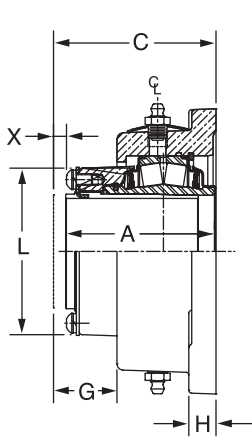
Note(S): "P" Dimension Is For Non-Expansion Only
 "A" And "P" Dimensions Do Not Include "Y" Dimension
 # Reference Dimension Only

FEATURES/BENEFITS PAGE B14-2	SPECIFICATIONS PAGE B14-5	HOW TO ORDER/NOMENCLATURE PAGE B14-8	SELECTION PAGE B14-14
---------------------------------	------------------------------	---	--------------------------

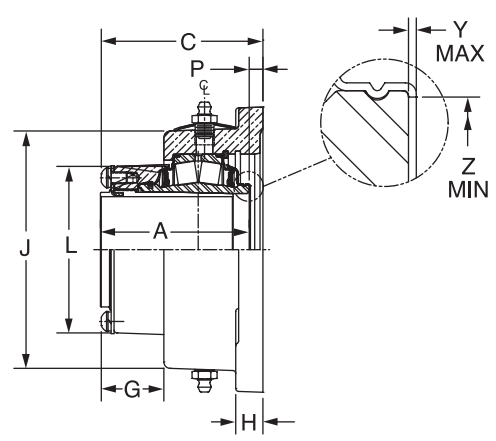
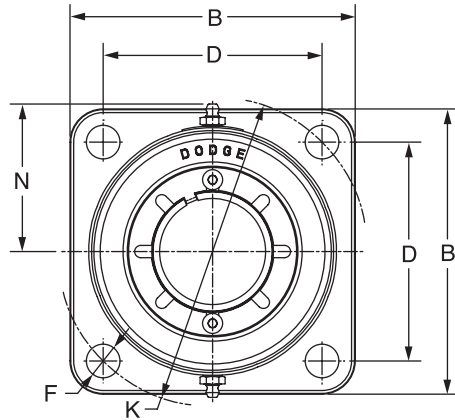
DIMENSIONS



Steel IMPERIAL-HD Flange - 4 Bolt 1-1/8 THRU 2-1/4 INCH



EXPANSION



NON-EXPANSION

Shaft Size	Dodge Non-Expansion		Dodge Expansion	
	Dodge Part No.	Description	Dodge Part No.	Description
1-1/8	072170	SF4S-IP-102R	072198	SF4S-IP-102RE
1-3/16	072171	SF4S-IP-103R	072199	SF4S-IP-103RE
1-1/4	072172	SF4S-IP-104R	072200	SF4S-IP-104RE
1-3/8	072173	SF4S-IP-106R	072201	SF4S-IP-106RE
1-7/16	072174	SF4S-IP-107R	072202	SF4S-IP-107RE
1-1/2	072175	SF4S-IP-108R	072203	SF4S-IP-108RE
1-5/8	072176	SF4S-IP-110R	072204	SF4S-IP-110RE
1-11/16	072177	SF4S-IP-111R	072205	SF4S-IP-111RE
1-3/4	072178	SF4S-IP-112R	072206	SF4S-IP-112RE
1-7/8	072179	SF4S-IP-114R	072207	SF4S-IP-114RE
1-15/16	072180	SF4S-IP-115R	072208	SF4S-IP-115RE
2	072181	SF4S-IP-200R	072209	SF4S-IP-200RE
2-3/16	072182	SF4S-IP-203R	072210	SF4S-IP-203RE
2-1/4	072183	SF4S-IP-204R	072211	SF4S-IP-204RE

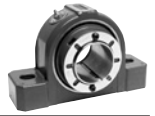
Shaft Size	A	B	C	D	F Bolt Dia.	G	H	J	K	L	N	P	X Total Exp	Y	Z
1-1/8	2.63	4.62	2.87	3.54	1/2	0.84	0.88	3.70	5.00	2.72	2.25	0.24	3/16	0.02	1.80
1-3/16															
1-1/4															
1-3/8															
1-7/16	2.81	5.37	3.01	3.89	1/2	0.91	0.88	4.41	5.50	3.00	2.62	0.20	7/32	0.02	2.08
1-1/2															
1-5/8															
1-11/16	2.86	5.18	3.15	4.07	1/2	0.91	0.91	4.66	5.75	3.28	2.75	0.29	7/32	0.02	2.30
1-3/4															
1-7/8															
1-15/16	3.03	5.87	3.26	4.51	5/8	0.93	0.75	5.03	6.38	3.50	2.93	0.23	1/4	0.02	2.60
2															
2-3/16															
2-1/4															

"P" Dimension Is For Non-Expansion Only

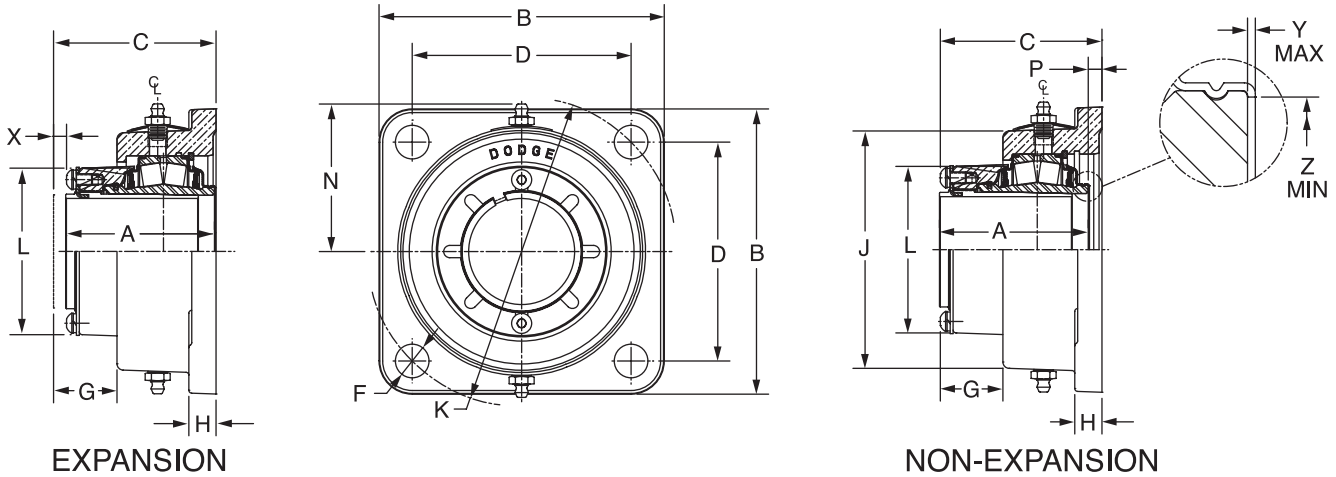
"A" & "P" Dimensions Do Not Include "Y" Dimension

FEATURES/BENEFITS PAGE B14-2	SPECIFICATIONS PAGE B14-5	HOW TO ORDER/NOMENCLATURE PAGE B14-8	SELECTION PAGE B14-14
---------------------------------	------------------------------	---	--------------------------

DIMENSIONS



Steel IMPERIAL-HD Flange - 4 Bolt 2-3/8 THRU 4 INCH



Shaft Size	Dodge Non-Expansion		Dodge Expansion	
	Dodge Part No.	Description	Dodge Part No.	Description
2-3/8	072184	SF4S-IP-206R	072212	SF4S-IP-206RE
2-7/16	072185	SF4S-IP-207R	072213	SF4S-IP-207RE
2-1/2	072186	SF4S-IP-208R	072214	SF4S-IP-208RE
2-11/16	072187	SF4S-IP-211R	072215	SF4S-IP-211RE
2-3/4	072188	SF4S-IP-212R	072216	SF4S-IP-212RE
2-15/16	072189	SF4S-IP-215R	072217	SF4S-IP-215RE
3	072190	SF4S-IP-300R	072218	SF4S-IP-300RE
3-3/16	072191	SF4S-IP-303R	072219	SF4S-IP-303RE
3-1/4	072192	SF4S-IP-304R	072220	SF4S-IP-304RE
3-7/16	072193	SF4S-IP-307R	072221	SF4S-IP-307RE
3-1/2	072194	SF4S-IP-308R	072222	SF4S-IP-308RE
3-11/16	072195	SF4S-IP-311R	072223	SF4S-IP-311RE
3-15/16	072196	SF4S-IP-315R	072224	SF4S-IP-315RE
4	072197	SF4S-IP-400R	072225	SF4S-IP-400RE

Shaft Size	A	B	C	D	F Bolt Dia.	G	H	J	K	L	N	P	X Total Exp	Y	Z
2-3/8															
2-7/16	3.42	6.18	3.57	4.77	5/8	0.95	1.00	5.63	6.75	3.80	3.24	0.15	1/4	0.03	2.94
2-1/2															
2-11/16															
2-3/4	3.50	7.18	3.77	5.57	3/4	0.94	1.06	6.51	7.88	4.20	3.67	0.27	1/4	0.03	3.47
2-15/16															
3															
3-3/16															
3-1/4	4.17	8.37	4.27	6.72	3/4	0.94	1.28	7.49	9.50	5.00	4.16	0.10	1/4	0.03	4.50
3-7/16															
3-1/2															
3-11/16	4.70	9.49	5.07	7.60	1	1.06	1.50	8.22	10.75	5.46	4.55	0.37	5/16	0.03	4.50
3-15/16															
4															

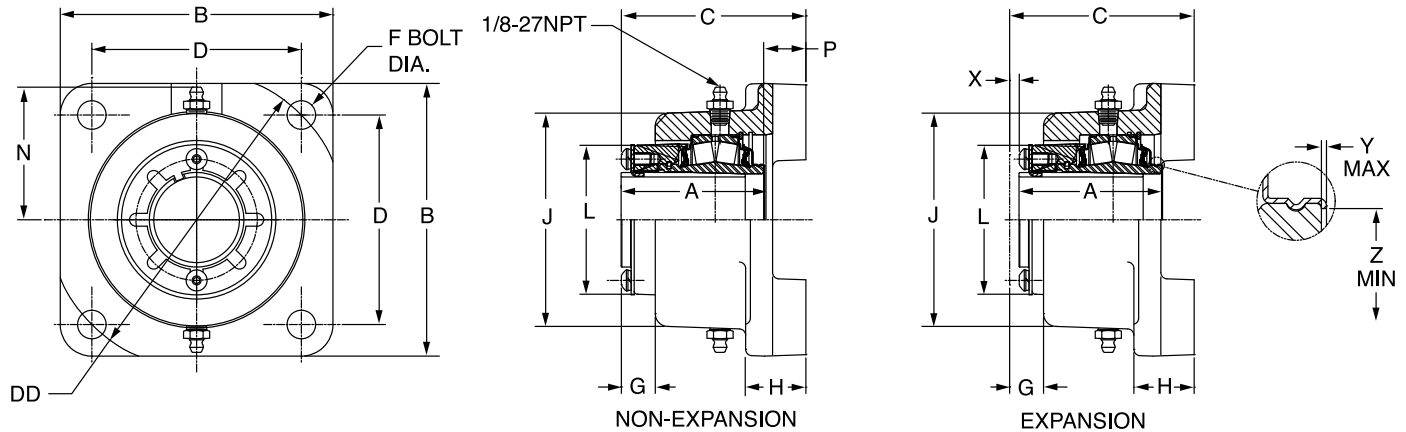
'P' Dimension Is For Non-Expansion Only
A' And 'P' Dimensions Do Not Include 'Y' Dimension

FEATURES/BENEFITS PAGE B14-2	SPECIFICATIONS PAGE B14-5	HOW TO ORDER/NOMENCLATURE PAGE B14-8	SELECTION PAGE B14-14
---------------------------------	------------------------------	---	--------------------------

DIMENSIONS



Steel IMPERIAL-HD Flange 4 Bolt With Type E Dimensions



Shaft Size	Dodge Non-Expansion		Dodge Expansion	
	Dodge Part No.	Description	Dodge Part No.	Description
1-3/8	072226	SEF4B-IP-106R	072251	SEF4B-IP-106RE
1-7/16	072227	SEF4B-IP-107R	072252	SEF4B-IP-107RE
1-1/2	072228	SEF4B-IP-108R	072253	SEF4B-IP-108RE
1-5/8	072229	SEF4B-IP-110R	072254	SEF4B-IP-110RE
1-11/16	072230	SEF4B-IP-111R	072255	SEF4B-IP-111RE
1-3/4	072231	SEF4B-IP-112R	072256	SEF4B-IP-112RE
1-7/8	072232	SEF4B-IP-114R	072257	SEF4B-IP-114RE
1-15/16	072233	SEF4B-IP-115R	072258	SEF4B-IP-115RE
2	072234	SEF4B-IP-200R	072259	SEF4B-IP-200RE
2-3/16	072235	SEF4B-IP-203R	072260	SEF4B-IP-203RE
2-7/16	072237	SEF4B-IP-207R	072262	SEF4B-IP-207RE
2-1/2	072238	SEF4B-IP-208R	072263	SEF4B-IP-208RE
2-11/16	072239	SEF4B-IP-211R	072264	SEF4B-IP-211RE
2-3/4	072240	SEF4B-IP-212R	072265	SEF4B-IP-212RE
2-15/16	072241	SEF4B-IP-215R	072266	SEF4B-IP-215RE
3	072242	SEF4B-IP-300R	072267	SEF4B-IP-300RE
3-3/16	072243	SEF4B-IP-303R	072268	SEF4B-IP-303RE
3-1/4	072244	SEF4B-IP-304R	072269	SEF4B-IP-304RE
3-7/16	072245	SEF4B-IP-307R	072270	SEF4B-IP-307RE
3-1/2	072246	SEF4B-IP-308R	072271	SEF4B-IP-308RE
3-15/16	072247	SEF4B-IP-315R	072272	SEF4B-IP-315RE
4	072248	SEF4B-IP-400R	072273	SEF4B-IP-400RE
4-7/16	072249	SEF4B-IP-407R	072274	SEF4B-IP-407RE
4-1/2	072250	SEF4B-IP-408R	072275	SEF4B-IP-408RE

FEATURES/BENEFITS PAGE B14-2	SPECIFICATIONS PAGE B14-5	HOW TO ORDER/NOMENCLATURE PAGE B14-8	SELECTION PAGE B14-14
---------------------------------	------------------------------	---	--------------------------

DIMENSIONS



Steel IMPERIAL-HD Flange 4 Bolt With Type E Dimensions

Bearing Reference Guide

E-Family Roller Bearings

Specialty Tapered Products

S-2000

UNISPHERE II

IMPERIAL

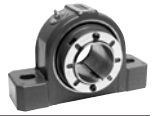
UNIFIED SAF

Shaft Size	A	B	C	D	DD	F Bolt Dia.	G	H	J	L	N	P	X Total Exp	Y	Z
1-3/8 1-7/16	2.63	4.620	2.87	3.50	4.95	1/2	0.84	0.88	3.7	2.72	2.25	0.24	3/16	0.02	1.80
1-1/2 1-5/8 1-11/16	2.81	5.37	3.01	4.13	5.84	1/2	0.91	0.88	4.41	3.00	2.62	0.20	7/32	0.02	2.08
1-3/4 1-7/8 1-15/16 2	2.86	5.49	3.15	4.38	6.19	1/2	0.91	0.88	4.75	3.28	2.75	0.29	7/32	0.02	2.30
2-3/16	3.03	6.18	3.26	4.87	6.89	5/8	0.93	1.00	5.03	3.50	2.93	0.23	1/4	0.02	2.60
2-7/16 2-1/2	3.42	6.62	3.57	5.37	7.60	5/8	0.95	1.00	5.63	3.80	3.23	0.15	1/4	0.03	2.95
2-11/16 2-3/4 2-15/16 3	3.50	7.43	3.77	6.00	8.49	3/4	0.94	1.06	6.66	4.20	3.75	0.27	1/4	0.03	3.47
3-3/16 3-1/4 3-7/16 3-1/2	4.17	8.62	4.27	7.01	9.91	3/4	0.96	1.31	7.49	5.00	4.17	0.10	1/4	0.03	4.05
3-15/16 4	4.70	9.96	5.04	7.75	10.96	7/8	1.06	1.50	8.22	5.44	4.68	0.34	5/16	0.03	4.50
4-7/16 4-1/2	5.23	10.87	5.59	8.75	12.38	7/8	1.38	1.50	8.76	6.35	4.80	0.36	3/8	0.04	5.00

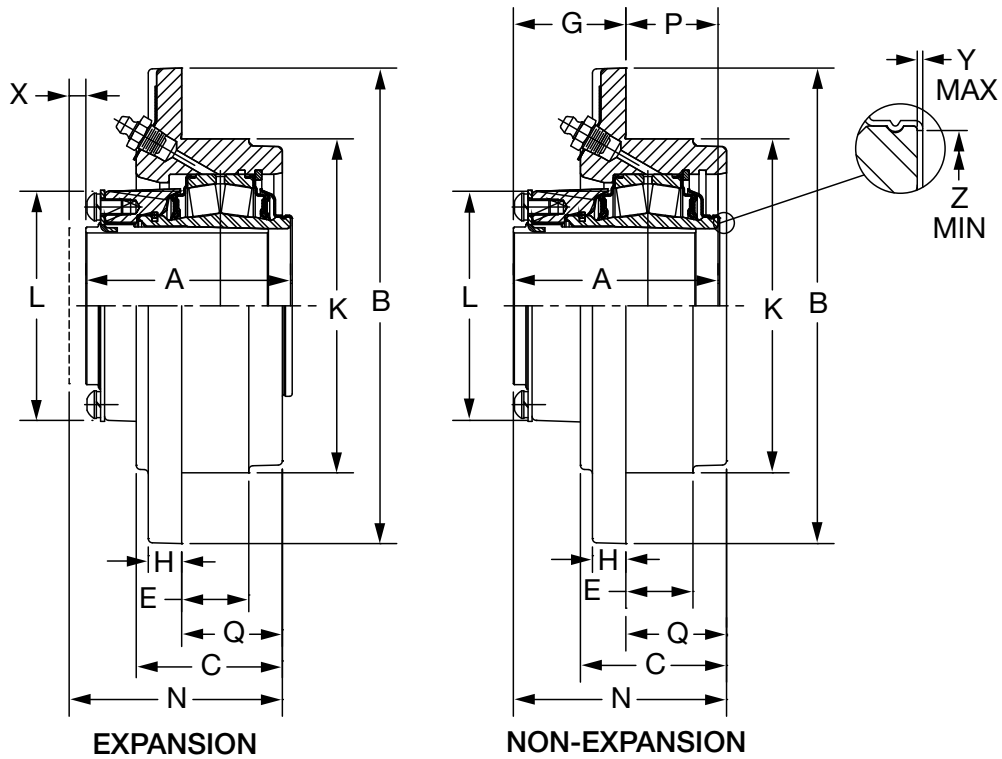
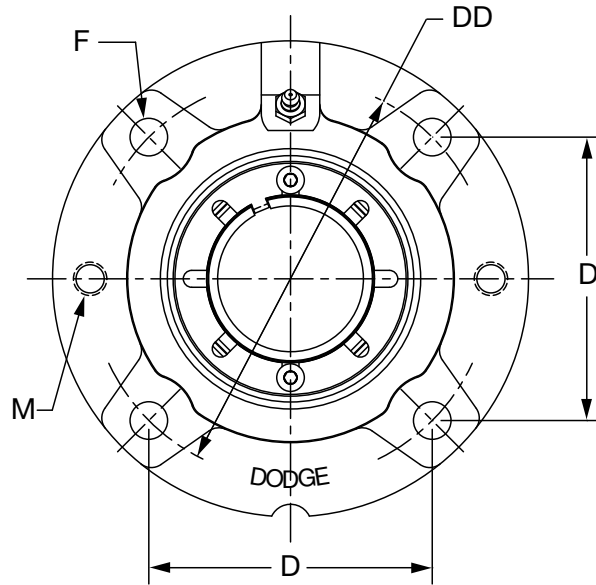
"P" Dimension Is For Non-Expansion Only
 "A" & "P" Dimensions Do Not Include "Y" Dimension

FEATURES/BENEFITS PAGE B14-2	SPECIFICATIONS PAGE B14-5	HOW TO ORDER/NOMENCLATURE PAGE B14-8	SELECTION PAGE B14-14
---------------------------------	------------------------------	---	--------------------------

DIMENSIONS

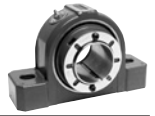


IMPERIAL - IP Piloted Flange 1-1/8 THRU 2-1/2 INCH



NOTE: See page B14-80 for 2-11/16 thru 5 inch

FEATURES/BENEFITS PAGE B14-2	SPECIFICATIONS PAGE B14-5	HOW TO ORDER/NOMENCLATURE PAGE B14-8	SELECTION PAGE B14-14
---------------------------------	------------------------------	---	--------------------------



DIMENSIONS

IMPERIAL - IP Piloted Flange 1-1/8 THRU 2-1/2 INCH

Bearing Reference Guide

E-Family Roller Bearings

Specialty Tapered Products

S-2000

UNISPHERE II

IMPERIAL

UNIFIED SAF

Bearing	Shaft Size Inch	TRIDENT Seal				Labyrinth Seal			
		Non-Expansion		Expansion		Non-Expansion		Expansion	
		Part No.	Part Name	Part No.	Part Name	Part No.	Part Name	Part No.	Part Name
22208	1-1/8	069805	FC-IP-102R	069837	FC-IP-102RE	069869	FC-IP-102L	069901	FC-IP-102LE
	1-3/16	069806	FC-IP-103R	069838	FC-IP-103RE	069870	FC-IP-103L	069902	FC-IP-103LE
	1-1/4	069807	FC-IP-104R	069839	FC-IP-104RE	069871	FC-IP-104L	069903	FC-IP-104LE
	1-3/8	069808	FC-IP-106R	069840	FC-IP-106RE	069872	FC-IP-106L	069904	FC-IP-106LE
	1-7/16	069809	FC-IP-107R	069841	FC-IP-107RE	069873	FC-IP-107L	069905	FC-IP-107LE
	1-1/2	069810	FC-IP-108R	069842	FC-IP-108RE	069874	FC-IP-108L	069906	FC-IP-108LE
22209	1-5/8	069811	FC-IP-110R	069843	FC-IP-110RE	069875	FC-IP-110L	069907	FC-IP-110LE
	1-11/16	069812	FC-IP-111R	069844	FC-IP-111RE	069876	FC-IP-111L	069908	FC-IP-111LE
	1-3/4	069813	FC-IP-112R	069845	FC-IP-112RE	069877	FC-IP-112L	069909	FC-IP-112LE
22210	1-7/8	069814	FC-IP-114R	069846	FC-IP-114RE	069878	FC-IP-114L	069910	FC-IP-114LE
	1-15/16	069815	FC-IP-115R	069847	FC-IP-115RE	069879	FC-IP-115L	069911	FC-IP-115LE
	2	069816	FC-IP-200R	069848	FC-IP-200RE	069880	FC-IP-200L	069912	FC-IP-200LE
22211	2-3/16	069817	FC-IP-203R	069849	FC-IP-203RE	069881	FC-IP-203L	069913	FC-IP-203LE
	2-1/4	069818	FC-IP-204R	069850	FC-IP-204RE	069882	FC-IP-204L	069914	FC-IP-204LE
22213	2-3/8	069819	FC-IP-206R	069851	FC-IP-206RE	069883	FC-IP-206L	069915	FC-IP-206LE
	2-7/16	069820	FC-IP-207R	069852	FC-IP-207RE	069884	FC-IP-207L	069916	FC-IP-207LE
	2-1/2	069821	FC-IP-208R	069853	FC-IP-208RE	069885	FC-IP-208L	069917	FC-IP-208LE

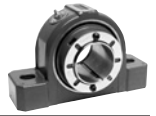
Metric shaft sizes available upon request

Shaft Size	A	B	C	D	DD	E	F Bolt Dia.	G	H	K*	L	M	N	P	Q	X Total Exp	Y	Z
1-1/8																		
1-3/16																		
1-1/4	2.63	5.25	1.84	3.09	4.38	0.75	3/8	1.39	0.50	3.625	2.72	3/8-16	2.61	1.23	1.22	3/16	0.02	1.80
1-3/8																		
1-7/16																		
1-1/2																		
1-5/8																		
1-11/16	2.81	6.13	1.91	3.63	5.13	0.88	7/16	1.61	0.50	4.250	3.00	7/16-14	2.86	1.20	1.27	1/4	0.02	2.08
1-3/4																		
1-7/8																		
1-15/16	2.86	6.38	2.00	3.80	5.38	0.88	7/16	1.59	0.56	4.500	3.28	7/16-14	2.86	1.27	1.27	1/4	0.02	2.30
2																		
2-3/16	3.03	7.13	2.19	4.25	6.00	1.00	1/2	1.67	0.56	5.000	3.50	1/2-13	3.08	1.38	1.42	1/4	0.03	2.60
2-1/4																		
2-3/8																		
2-7/16	3.42	7.63	2.50	4.59	6.50	1.00	1/2	1.88	0.63	5.500	3.88	1/2-13	3.44	1.55	1.56	1/4	0.03	2.95
2-1/2																		

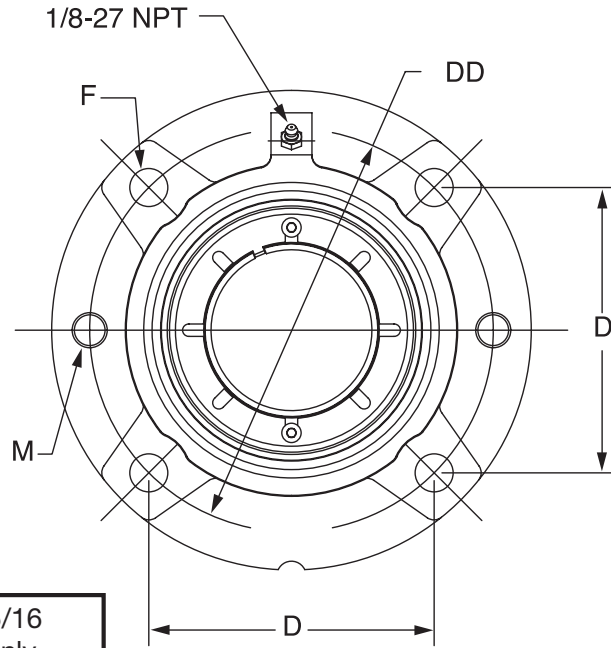
* = +0.000, -0.002"

FEATURES/BENEFITS PAGE B14-2	SPECIFICATIONS PAGE B14-5	HOW TO ORDER/NOMENCLATURE PAGE B14-8	SELECTION PAGE B14-14
---------------------------------	------------------------------	---	--------------------------

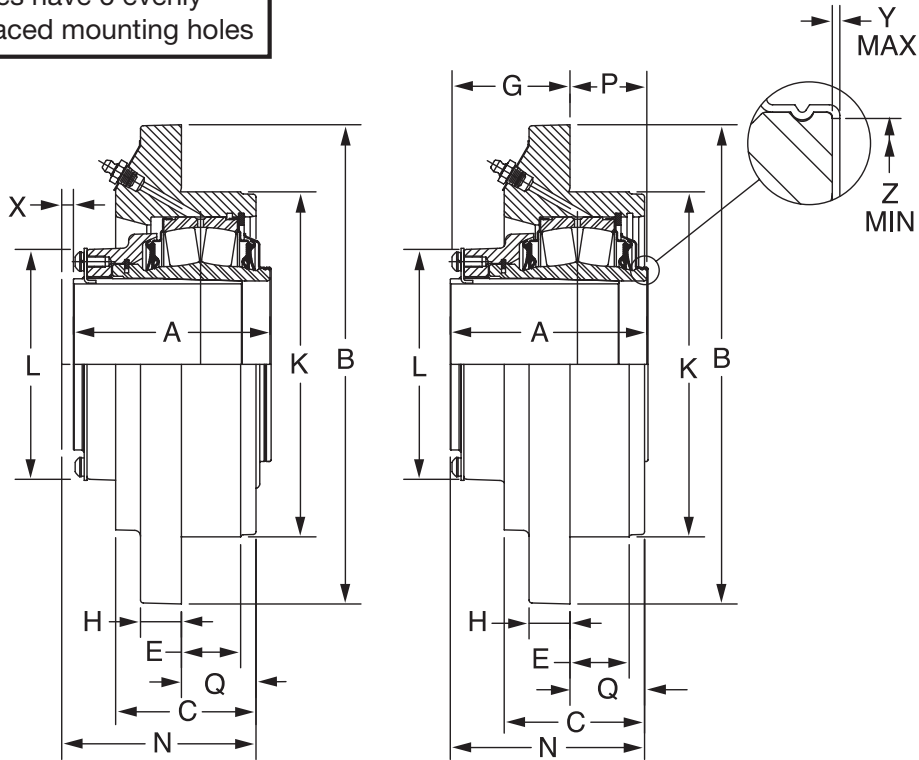
DIMENSIONS



IMPERIAL - IP Piloted Flange 2-11/16 THRU 5 INCH



Note: 4-7/16 thru 4-15/16 sizes have 6 evenly spaced mounting holes

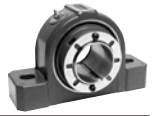


EXPANSION

NON-EXPANSION

NOTE: See page B14-78 for 1-1/8 thru 2-1/2 inch

FEATURES/BENEFITS PAGE B14-2	SPECIFICATIONS PAGE B14-5	HOW TO ORDER/NOMENCLATURE PAGE B14-8	SELECTION PAGE B14-14
---------------------------------	------------------------------	---	--------------------------



DIMENSIONS

IMPERIAL - IP Piloted Flange 2-11/16 THRU 5 INCH

Bearing	Shaft Size Inch	TRIDENT Seal				Labyrinth Seal			
		Non-Expansion		Expansion		Non-Expansion		Expansion	
		Part No.	Part Name	Part No.	Part Name	Part No.	Part Name	Part No.	Part Name
22215	2-11/16	069822	FC-IP-211R	069854	FC-IP-211RE	069886	FC-IP-211L	069918	FC-IP-211LE
	2-3/4	069823	FC-IP-212R	069855	FC-IP-212RE	069887	FC-IP-212L	069919	FC-IP-212LE
	2-15/16	069824	FC-IP-215R	069856	FC-IP-215RE	069888	FC-IP-215L	069920	FC-IP-215LE
	3	069825	FC-IP-300R	069857	FC-IP-300RE	069889	FC-IP-300L	069921	FC-IP-300LE
22218	3-3/16	069826	FC-IP-303R	069858	FC-IP-303RE	069890	FC-IP-303L	069922	FC-IP-303LE
	3-1/4	069827	FC-IP-304R	069859	FC-IP-304RE	069891	FC-IP-304L	069923	FC-IP-304LE
	3-7/16	069828	FC-IP-307R	069860	FC-IP-307RE	069892	FC-IP-307L	069924	FC-IP-307LE
	3-1/2	069829	FC-IP-308R	069861	FC-IP-308RE	069893	FC-IP-308L	069925	FC-IP-308LE
22220	3-11/16	069830	FC-IP-311R	069862	FC-IP-311RE	069894	FC-IP-311L	069926	FC-IP-311LE
	3-15/16	069831	FC-IP-315R	069863	FC-IP-315RE	069895	FC-IP-315L	069927	FC-IP-315LE
	4	069832	FC-IP-400R	069864	FC-IP-400RE	069896	FC-IP-400L	069928	FC-IP-400LE
22222	4-7/16	069833	FC-IP-407R	069865	FC-IP-407RE	069897	FC-IP-407L	069929	FC-IP-407LE
	4-1/2	069834	FC-IP-408R	069866	FC-IP-408RE	069898	FC-IP-408L	069930	FC-IP-408LE
22226	4-15/16	069835	FC-IP-415R	069867	FC-IP-415RE	069899	FC-IP-415L	069931	FC-IP-415LE
	5	069836	FC-IP-500R	069868	FC-IP-500RE	069900	FC-IP-500L	069932	FC-IP-500LE

Metric shaft sizes available upon request

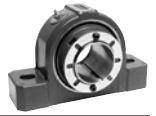
Shaft Size	A	B	C	D	DD	E	F Bolt Dia.	G	H	K*	L	M	N	P	Q	X Total Exp	Y	Z
2-11/16 2-3/4 2-15/16 3	3.50	8.75	2.63	5.30	7.50	1.25	5/8	1.94	0.75	6.375	4.28	5/8-11	3.56	1.56	1.63	1/4	0.03	3.47
3-3/16 3-1/4 3-7/16 3-1/2	4.17	10.25	3.00	6.09	8.63	1.27	3/4	2.53	0.94	7.375	5.00	3/4-10	4.06	1.64	1.52	1/4	0.03	4.05
3-11/16 3-15/16 4	4.70	10.88	3.50	6.63	9.38	1.47	3/4	2.89	1.13	8.125	5.56	3/4-10	4.39	1.81	1.91	5/16	0.03	4.50
4-7/16 4-1/2	5.23	13.50	4.00	5.88	11.75	1.45	3/4**	3.56	1.00	10.250	6.44	3/4-10	5.55	1.67	1.98	3/8	0.04	5.00
4-15/16 5	5.98	14.75	4.38	6.38	12.75	1.70	7/8**	3.86	1.25	11.000	7.63	3/4-10	6.28	2.13	2.42	3/8	0.04	5.84

* +0.000", -0.002"

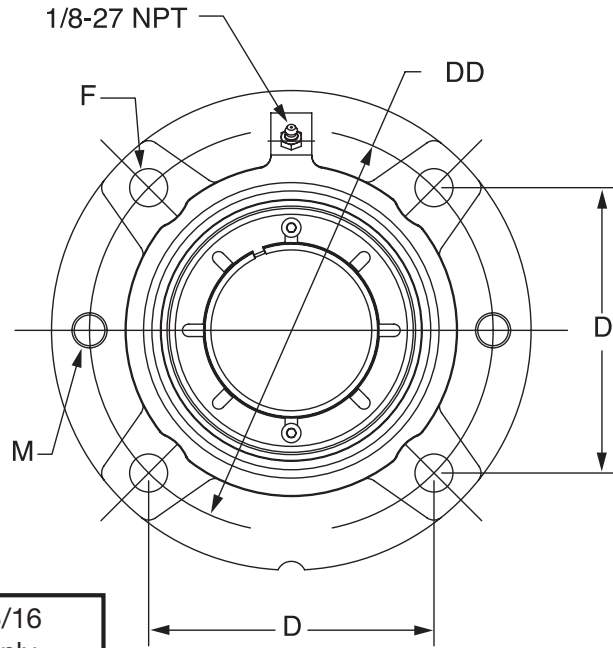
** 6 equally spaced mounting holes

FEATURES/BENEFITS PAGE B14-2	SPECIFICATIONS PAGE B14-5	HOW TO ORDER/NOMENCLATURE PAGE B14-8	SELECTION PAGE B14-14
---------------------------------	------------------------------	---	--------------------------

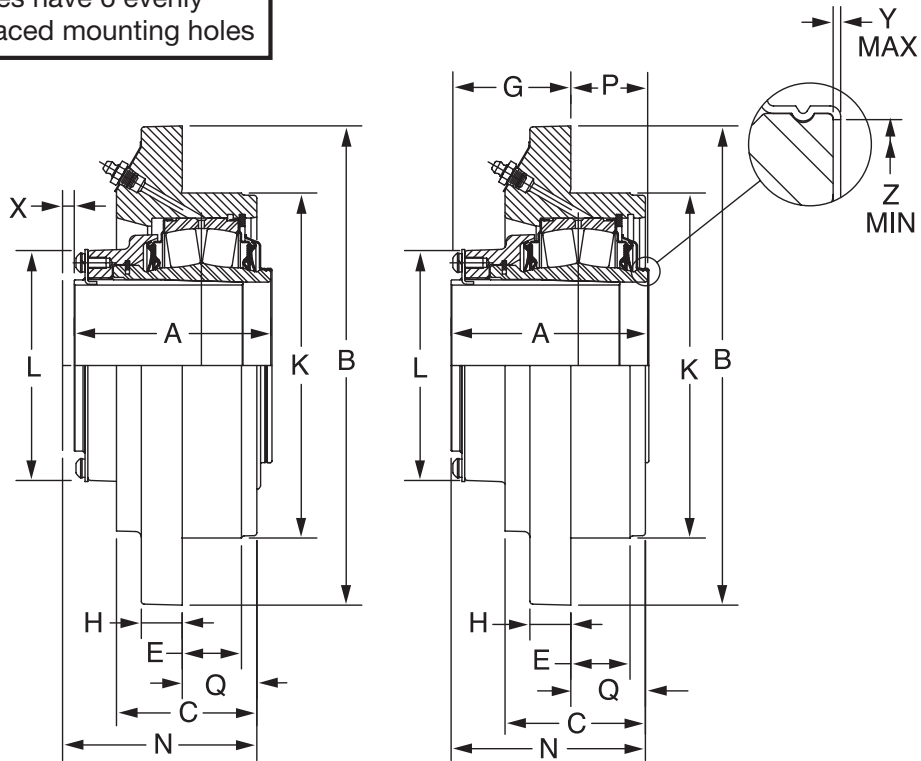
DIMENSIONS



IMPERIAL - IP Piloted Flange with Type E Dimensions 1-3/8 THRU 2-1/2 INCH

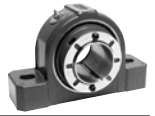


Note: 4-7/16 thru 4-15/16 sizes have 6 evenly spaced mounting holes



EXPANSION

NON-EXPANSION



DIMENSIONS

IMPERIAL - IP Piloted Flange with Type E Dimensions 1-3/8 THRU 2-1/2 INCH

Bearing Series	Shaft Size*	TRIDENT Seal				Labyrinth Seal			
		Non-Expansion		Expansion		Non-Expansion		Expansion	
		Part No.	Part Name	Part No.	Part Name	Part No.	Part Name	Part No.	Part Name
22208	1-3/8	069808	FC-IP-106R	069840	FC-IP-106RE	069872	FC-IP-106L	069904	FC-IP-106LE
	1-7/16	069809	FC-IP-107R	069841	FC-IP-107RE	069873	FC-IP-107L	069905	FC-IP-107LE
22209	1-1/2	071576	EFC-IP-108R	071579	EFC-IP-108RE	071582	EFC-IP-108L	071585	EFC-IP-108LE
	1-5/8	069811	FC-IP-110R	069843	FC-IP-110RE	069875	FC-IP-110L	069907	EC-IP-110LE
	1-11/16	069812	FC-IP-111R	069844	FC-IP-111RE	069876	FC-IP-111L	069908	EC-IP-111LE
22210	1-3/4	071577	EFC-IP-112R	071580	EFC-IP-112RE	071583	EFC-IP-112L	071586	EFC-IP-112LE
	1-7/8	069814	FC-IP-114R	069846	FC-IP-114RE	069878	FC-IP-114L	069910	FC-IP-114LE
	1-15/16	069815	FC-IP-115R	069847	FC-IP-115RE	069879	FC-IP-115L	069911	FC-IP-115LE
	2	069816	FC-IP-200R	069848	FC-IP-200RE	069880	FC-IP-200L	069912	FC-IP-200LE
22211	2-3/16	069817	FC-IP-203R	069849	FC-IP-203RE	069881	FC-IP-203L	069913	FC-IP-203LE
22213	2-1/4	071578	EFC-IP-204R	071581	EFC-IP-204RE	071584	EFC-IP-204L	071587	EFC-IP-204LE
	2-7/16	069820	FC-IP-207R	069852	FC-IP-207RE	069884	FC-IP-207L	069916	FC-IP-207LE
	2-1/2	069821	FC-IP-208R	069853	FC-IP-208RE	069885	FC-IP-208L	069917	FC-IP-208LE

*Consult Dodge For Sizes Not Listed

Shaft Size	A	B #	C #	D	DD	E #	F Bolt Dia.	G	H #	K ##	L	M	N	P	Q #	X Total Exp.	Y	Z
1-3/8 1-7/16	2.63	5.25	1.84	3.09	4.38	0.75	3/8	1.39	0.50	3.625	2.72	3/8-16	2.61	1.23	1.22	3/16	0.02	1.80
1-1/2 1-5/8 1-11/16	2.81	6.13	1.91	3.63	5.13	0.88	7/16	1.61	0.50	4.250	3.00	7/16-14	2.86	1.20	1.26	1/4	0.02	2.08
1-3/4 1-7/8 1-15/16 2	2.86	6.38	2.00	3.80	5.38	0.88	7/16	1.59	0.56	4.500	3.28	7/16-14	2.86	1.26	1.26	1/4	0.02	2.30
2-3/16 2-1/4	3.03	7.13	2.19	4.25	6.00	1.00	1/2	1.66	0.56	5.000	3.50	1/2-13	3.08	1.38	1.42	1/4	0.03	2.59
2-7/16 2-1/2	3.42	7.63	2.50	4.59	6.50	1.00	1/2	1.88	0.63	5.500	3.88	1/2-13	3.44	1.55	1.56	1/4	0.03	2.94

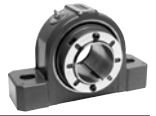
- +0.000
-0.002

Note(S): "P" And "G" Dimensions Are For Non-Expansion Only
"A" And "P" Dimensions Do Not Include "Y" Dimension

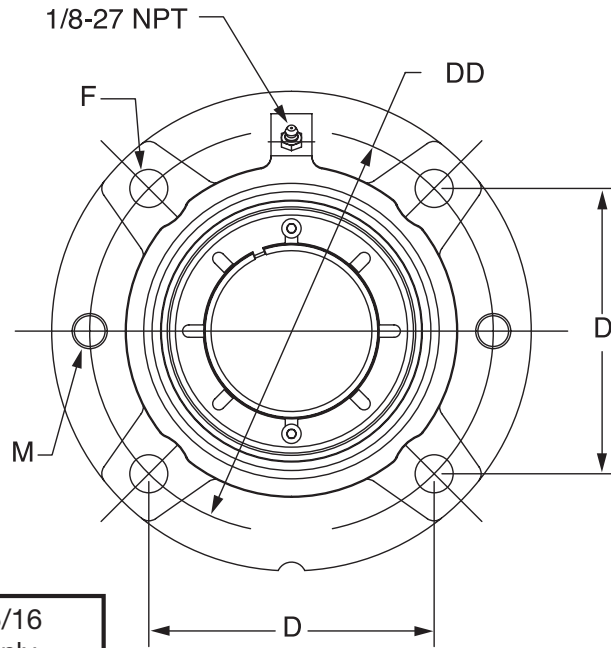
- Reference Dimension Only

FEATURES/BENEFITS PAGE B14-2	SPECIFICATIONS PAGE B14-5	HOW TO ORDER/NOMENCLATURE PAGE B14-8	SELECTION PAGE B14-14
---------------------------------	------------------------------	---	--------------------------

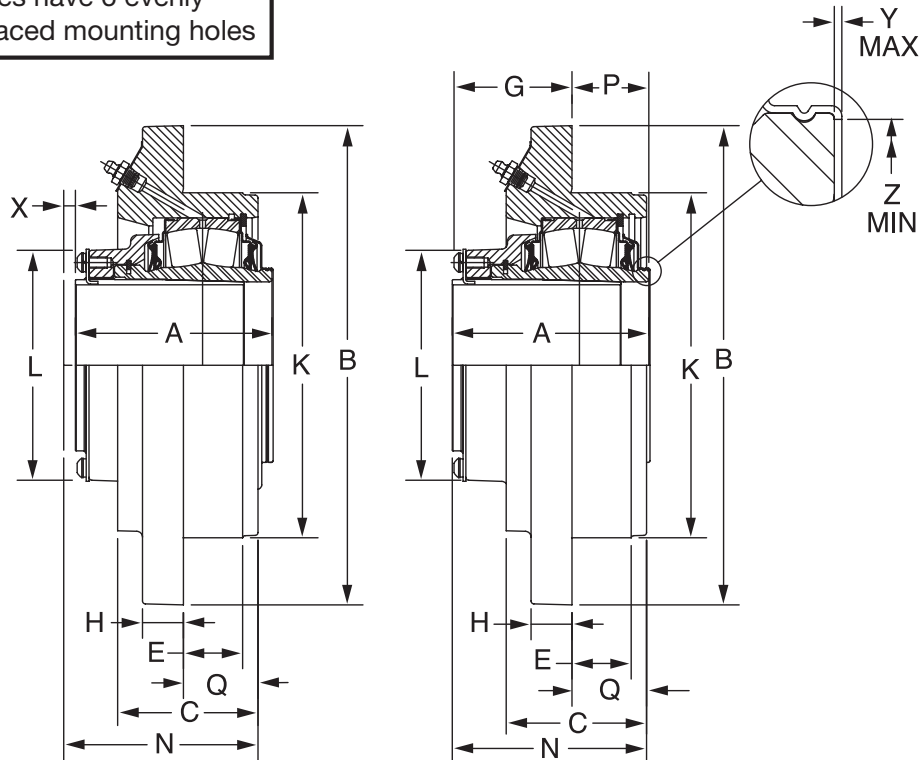
DIMENSIONS



IMPERIAL - IP Piloted Flange with Type E Dimension 2-11/16 THRU 5 INCH



Note: 4-7/16 thru 4-15/16 sizes have 6 evenly spaced mounting holes



EXPANSION

NON-EXPANSION

DIMENSIONS



IMPERIAL - IP Piloted Flange with Type E Dimension 2-11/16 THRU 5 INCH

Bearing Reference Guide

E-Family Roller Bearings

Specialty Tapered Products

S-2000

UNISPHERE II

IMPERIAL

UNIFIED SAF

Bearing Series	Shaft Size*	TRIDENT Seal				Labyrinth Seal			
		Non-Expansion		Expansion		Non-Expansion		Expansion	
		Part No.	Part Name	Part No.	Part Name	Part No.	Part Name	Part No.	Part Name
22215	2-11/16	069822	FC-IP-211R	069854	FC-IP-211RE	069886	FC-IP-211L	069918	FC-IP-211LE
	2-3/4	069823	FC-IP-212R	069855	FC-IP-212RE	069887	FC-IP-212L	069919	FC-IP-212LE
	2-15/16	069824	FC-IP-215R	069856	FC-IP-215RE	069888	FC-IP-215L	069920	FC-IP-215LE
	3	069825	FC-IP-300R	069857	FC-IP-300RE	069889	FC-IP-300L	069921	FC-IP-300LE
22218	3-3/16	069826	FC-IP-303R	069858	FC-IP-303RE	069890	FC-IP-303L	069922	FC-IP-303LE
	3-1/4	069827	FC-IP-304R	069859	FC-IP-304RE	069891	FC-IP-304L	069923	FC-IP-304LE
	3-7/16	069828	FC-IP-307R	069860	FC-IP-307RE	069892	FC-IP-307L	069924	FC-IP-307LE
	3-1/2	069829	FC-IP-308R	069861	FC-IP-308RE	069893	FC-IP-308L	069925	FC-IP-308LE
22220	3-15/16	069831	FC-IP-315R	069863	FC-IP-315RE	069895	FC-IP-315L	069927	FC-IP-315LE
	4	069832	FC-IP-400R	069864	FC-IP-400RE	069896	FC-IP-400L	069928	FC-IP-400LE
22222	4-7/16	071272	EFC-IP-407R	071276	EFC-IP-407RE	071280	EFC-IP-407L	071284	EFC-IP-407LE
	4-1/2	071273	EFC-IP-408R	071277	EFC-IP-408RE	071281	EFC-IP-408L	071285	EFC-IP-408LE
22226	4-15/16	071274	EFC-IP-415R	071278	EFC-IP-415RE	071282	EFC-IP-415L	071286	EFC-IP-415LE
	5	071275	EFC-IP-500R	071279	EFC-IP-500RE	071283	EFC-IP-500L	071287	EFC-IP-500LE

*Consult Dodge For Sizes Not Listed

Shaft Size	A	B #	C #	D	DD	E #	F Bolt Dia.	G	H #	K #	L	M	N	P	Q #	X Total Exp.	Y	Z
2-11/16 2-3/4 2-15/16 3	3.50	8.75	2.63	5.30	7.50	1.25	5/8	1.94	0.75	6.375	4.28	5/8-11	3.56	1.56	1.63	1/4	0.03	3.47
3-3/16 3-1/4 3-7/16 3-1/2	4.17	10.25	3.00	6.09	8.63	1.26	3/4	2.53	0.94	7.375	5.00	3/4-10	4.06	1.64	1.52	1/4	0.03	4.05
3-15/16 4	4.70	10.88	3.50	6.63	9.38	1.47	3/4	2.89	1.13	8.125	5.56	3/4-10	4.78	1.81	1.91	5/16	0.03	4.50
4-7/16 4-1/2	5.23	13.50	4.58	5.88	11.75	1.45	3/4 **	3.03	0.94	10.250	6.44	3/4-10	5.66	2.20	2.63	3/8	0.04	5.00
4-15/16 5	5.98	14.75	4.88	6.38	12.75	1.70	7/8 **	3.40	1.25	11.000	7.63	3/4-10	6.41	2.59	3.01	3/8	0.04	5.84

- +0.000
-0.002

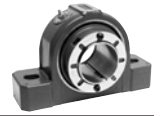
Note(S): "P" And "G" Dimensions Are For Non-Expansion Only
"A" And "P" Dimensions Do Not Include "Y" Dimension

- Reference Dimension Only

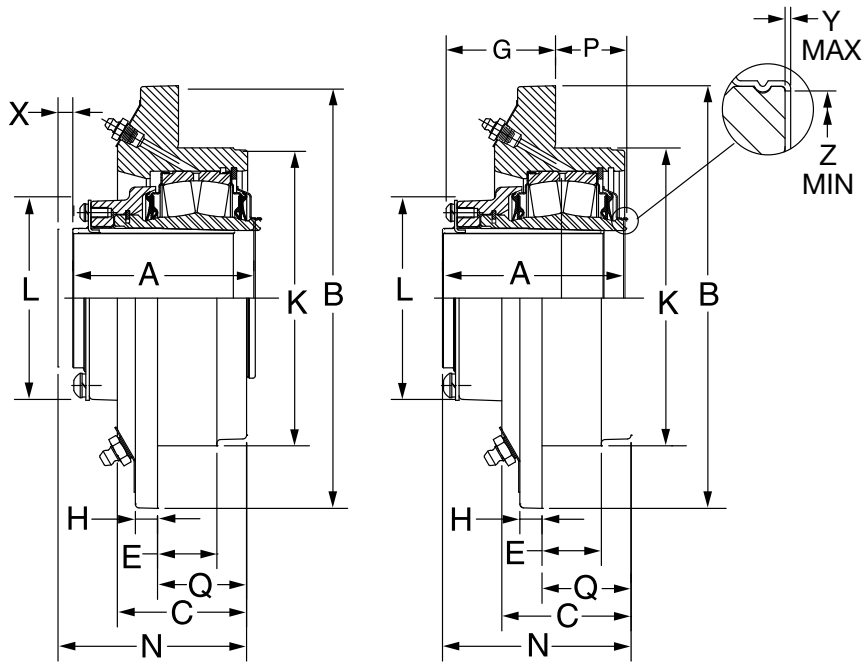
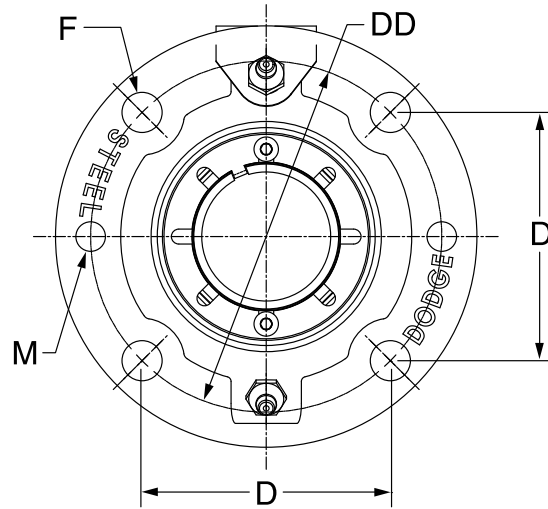
** 4-7/16 Thru 5" Have (6) Equally Spaced Mounting Holes

FEATURES/BENEFITS PAGE B14-2	SPECIFICATIONS PAGE B14-5	HOW TO ORDER/NOMENCLATURE PAGE B14-8	SELECTION PAGE B14-14
---------------------------------	------------------------------	---	--------------------------

DIMENSIONS



Steel IMPERIAL-HD Piloted Flange

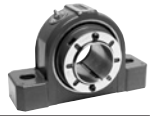


EXPANSION

NON-EXPANSION

FEATURES/BENEFITS PAGE B14-2	SPECIFICATIONS PAGE B14-5	HOW TO ORDER/NOMENCLATURE PAGE B14-8	SELECTION PAGE B14-14
---------------------------------	------------------------------	---	--------------------------

DIMENSIONS



Steel IMPERIAL-HD Piloted Flange

Bearing Reference Guide

E-Family Roller Bearings

Specialty Tapered Products

S-2000

UNISPHERE II

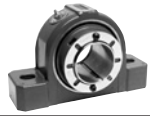
IMPERIAL

UNIFIED SAF

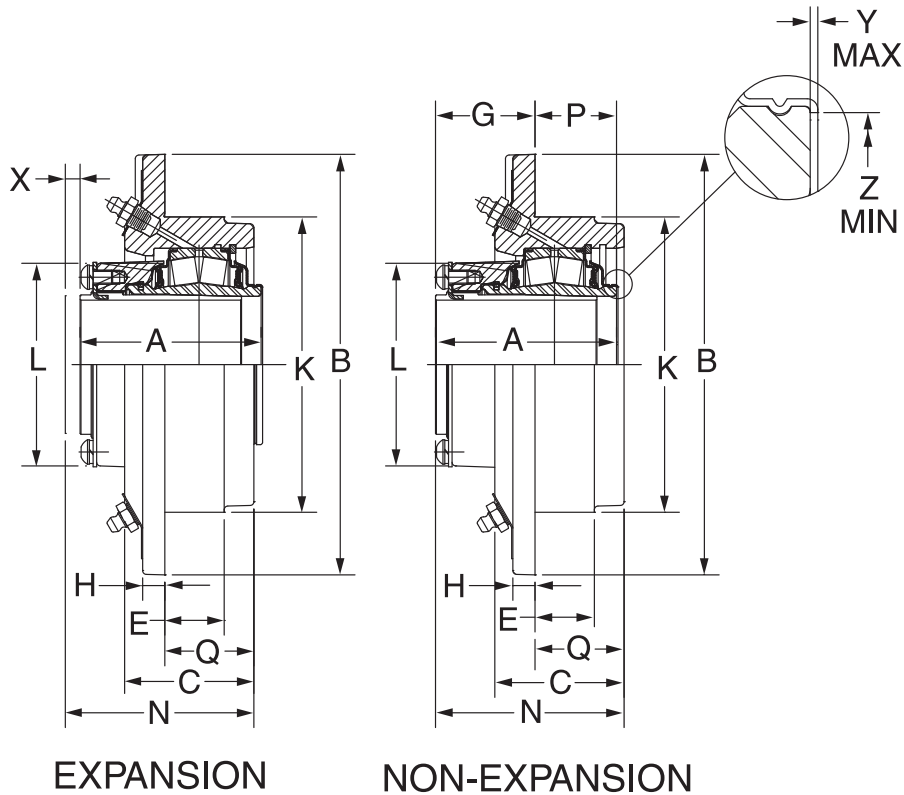
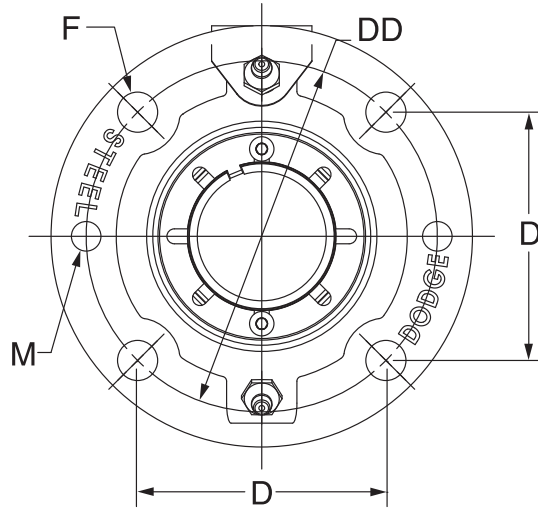
Shaft Size	Dodge Non-Expansion		Dodge Expansion	
	Dodge Part No.	Description	Dodge Part No.	Description
1-1/8	072276	SFC-IP-102R	072307	SFC-IP-102RE
1-3/16	072277	SFC-IP-103R	072308	SFC-IP-103RE
1-1/4	072278	SFC-IP-104R	072309	SFC-IP-104RE
1-3/8	072279	SFC-IP-106R	072310	SFC-IP-106RE
1-7/16	072280	SFC-IP-107R	072311	SFC-IP-107RE
1-1/2	072281	SFC-IP-108R	072312	SFC-IP-108RE
1-5/8	072282	SFC-IP-110R	072313	SFC-IP-110RE
1-11/16	072283	SFC-IP-111R	072314	SFC-IP-111RE
1-3/4	072284	SFC-IP-112R	072315	SFC-IP-112RE
1-7/8	072285	SFC-IP-114R	072316	SFC-IP-114RE
1-15/16	072286	SFC-IP-115R	072317	SFC-IP-115RE
2	072287	SFC-IP-200R	072318	SFC-IP-200RE
2-3/16	072288	SFC-IP-203R	072319	SFC-IP-203RE
2-1/4	072289	SFC-IP-204R	072320	SFC-IP-204RE
2-7/16	072290	SFC-IP-207R	072321	SFC-IP-207RE
2-1/2	072291	SFC-IP-208R	072322	SFC-IP-208RE
2-11/16	072292	SFC-IP-211R	072323	SFC-IP-211RE
2-3/4	072293	SFC-IP-212R	072324	SFC-IP-212RE
2-15/16	072294	SFC-IP-215R	072325	SFC-IP-215RE
3	072295	SFC-IP-300R	072326	SFC-IP-300RE
3-3/16	072296	SFC-IP-303R	072327	SFC-IP-303RE
3-1/4	072297	SFC-IP-304R	072328	SFC-IP-304RE
3-7/16	072298	SFC-IP-307R	072329	SFC-IP-307RE
3-1/2	072299	SFC-IP-308R	072330	SFC-IP-308RE
3-11/16	072300	SFC-IP-311R	072331	SFC-IP-311RE
3-15/16	072301	SFC-IP-315R	072332	SFC-IP-315RE
4	072302	SFC-IP-400R	072333	SFC-IP-400RE
4-7/16	072303	SFC-IP-407R	072334	SFC-IP-407RE
4-1/2	072304	SFC-IP-408R	072335	SFC-IP-408RE
4-15/16	072305	SFC-IP-415R	072336	SFC-IP-415RE
5	072306	SFC-IP-500R	072337	SFC-IP-500RE

FEATURES/BENEFITS PAGE B14-2	SPECIFICATIONS PAGE B14-5	HOW TO ORDER/NOMENCLATURE PAGE B14-8	SELECTION PAGE B14-14
---------------------------------	------------------------------	---	--------------------------

DIMENSIONS

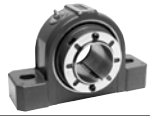


Steel IMPERIAL-HD Piloted Flange



FEATURES/BENEFITS PAGE B14-2	SPECIFICATIONS PAGE B14-5	HOW TO ORDER/NOMENCLATURE PAGE B14-8	SELECTION PAGE B14-14
---------------------------------	------------------------------	---	--------------------------

DIMENSIONS



Steel IMPERIAL-HD Piloted Flange

Bearing Reference Guide

E-Family Roller Bearings

Specialty Tapered Products

S-2000

UNISPHERE II

IMPERIAL

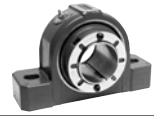
UNIFIED SAF

Shaft Size	A	B	C	D	DD	E	F Bolt Dia	G	H	K *	L	M	N	P	Q	X Total Exp	Y	Z
1-1/8 1-3/16 1-1/4 1-3/8 1-7/16 1-1/2	2.63	5.25	1.94	3.09	4.38	—	7/16	1.61	.50	3.625	2.72	7/16-14	2.78	1.01	1.17	3/16	0.02	1.80
1-5/8 1-11/16 1-3/4	2.81	6.13	2.19	3.63	5.13	1.33	7/16	1.44	.31	4.250	3.00	7/16-14	3.05	1.36	1.61	1/4	0.02	2.08
1-7/8 1-15/16 2	2.86	6.38	2.15	3.80	5.38	1.03	7/16	1.63	.50	4.500	3.28	7/16-14	3.05	1.23	1.42	1/4	0.02	2.30
2-3/16 2-1/4	3.03	7.13	2.42	4.25	6.00	1.02	1/2	1.80	.56	5.000	3.50	1/2-13	3.34	1.21	1.55	1/4	0.03	2.59
2-3/8 2-7/16 2-1/2	3.43	7.63	2.66	4.60	6.50	1.25	1/2	1.86	0.50	5.500	3.80	1/2-13	3.61	1.57	1.75	1/4	0.03	2.94
2-11/16 2-3/4 2-15/16 3	3.50	8.75	2.83	5.30	7.50	1.44	5/8	1.89	0.63	6.375	4.20	5/8-11	3.77	1.60	1.88	1/4	0.03	3.47
3-3/16 3-1/4 3-7/16 3-1/2	4.17	10.25	3.31	6.10	8.63	1.34	3/4	2.46	0.88	7.375	5.00	3/4-10	4.34	1.70	1.88	1/4	0.03	4.05
3-11/16 3-15/16 4	4.70	10.88	3.73	6.63	9.375	1.85	3/4	2.58	1.00	8.125	5.44	3/4-10	4.83	2.14	2.25	3/16	0.03	4.50
4-7/16 4-1/2	5.23	13.50	4.31	5.86	11.75	1.90	3/4**	3.01	1.00	10.250	6.34	3/4-10	5.70	2.72	2.70	3/8	0.04	5.00
4-15/16 5	5.98	14.75	4.64	6.38	12.75	2.06	7/8**	2.98	1.03	11.000	7.54	7/8-9	6.08	3.00	3.10	3/8	0.04	5.84

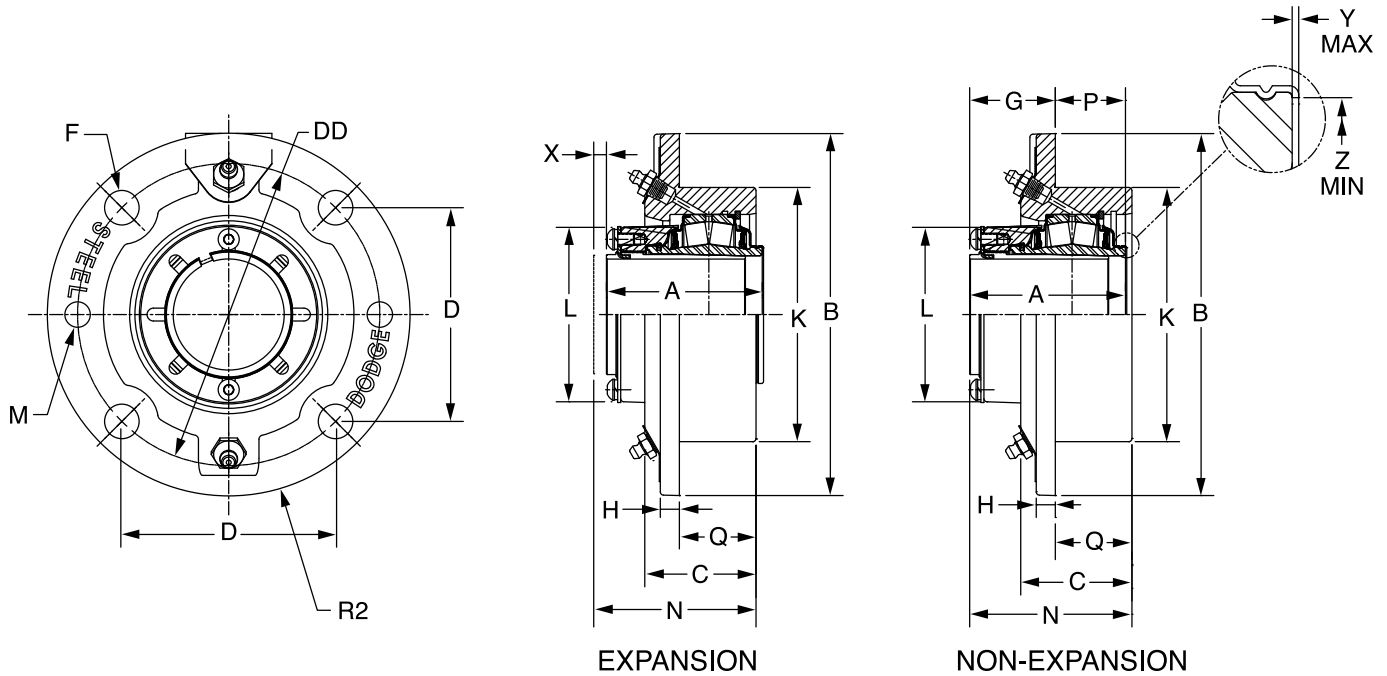
"P" & "G" Are For Non-Expansion Only
 "A" & "P" Dimensions Do Not Include "Y" Dimension
 * +0.000 / -0.002
 4-7/16 Thru 5" have 6 equally spaced mounting holes

FEATURES/BENEFITS PAGE B14-2	SPECIFICATIONS PAGE B14-5	HOW TO ORDER/NOMENCLATURE PAGE B14-8	SELECTION PAGE B14-14
---------------------------------	------------------------------	---	--------------------------

DIMENSIONS



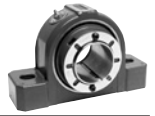
Steel IMPERIAL-HD Narrow Piloted Flange



Shaft Size	Dodge Non-Expansion		Dodge Expansion	
	Dodge Part No.	Description	Dodge Part No.	Description
1-7/16	072338	SFCN-IP-107R	072362	SFCN-IP-107RE
1-1/2	072339	SFCN-IP-108R	072363	SFCN-IP-108RE
1-11/16	072340	SFCN-IP-111R	072364	SFCN-IP-111RE
1-3/4	072341	SFCN-IP-112R	072365	SFCN-IP-112RE
1-15/16	072342	SFCN-IP-115R	072366	SFCN-IP-115RE
2	072343	SFCN-IP-200R	072367	SFCN-IP-200RE
2-3/16	072344	SFCN-IP-203R	072368	SFCN-IP-203RE
2-1/4	072345	SFCN-IP-204R	072369	SFCN-IP-204RE
2-7/16	072346	SFCN-IP-207R	072370	SFCN-IP-207RE
2-1/2	072347	SFCN-IP-208R	072371	SFCN-IP-208RE
2-11/16	072348	SFCN-IP-211R	072372	SFCN-IP-211RE
2-3/4	072349	SFCN-IP-212R	072373	SFCN-IP-212RE
2-15/16	072350	SFCN-IP-215R	072374	SFCN-IP-215RE
3	072351	SFCN-IP-300R	072375	SFCN-IP-300RE
3-3/16	072352	SFCN-IP-303R	072376	SFCN-IP-303RE
3-1/4	072353	SFCN-IP-304R	072377	SFCN-IP-304RE
3-7/16	072354	SFCN-IP-307R	072378	SFCN-IP-307RE
3-1/2	072355	SFCN-IP-308R	072379	SFCN-IP-308RE
3-11/16	072356	SFCN-IP-311R	072380	SFCN-IP-311RE
3-15/16	072358	SFCN-IP-315R	072382	SFCN-IP-315RE
4	072359	SFCN-IP-400R	072383	SFCN-IP-400RE
4-7/16	072360	SFCN-IP-407R	072384	SFCN-IP-407RE
4-1/2	072361	SFCN-IP-408R	072385	SFCN-IP-408RE

FEATURES/BENEFITS PAGE B14-2	SPECIFICATIONS PAGE B14-5	HOW TO ORDER/NOMENCLATURE PAGE B14-8	SELECTION PAGE B14-14
---------------------------------	------------------------------	---	--------------------------

DIMENSIONS



Steel IMPERIAL-HD Narrow Piloted Flange

Bearing Reference Guide

E-Family Roller Bearings

Specialty Tapered Products

S-2000

UNISPHERE II

IMPERIAL

UNIFIED SAF

Shaft Size	A	B	C	D	DD	F Bolt Dta.	G	H	K*	L	M	N	P	Q	X Total Exp	Y	Z
1-7/16 1-1/2	2.63	5.25	1.93	3.09	4.38	7/16	1.84	0.50	3.625	2.72	7/16 - 14	2.78	0.79	.94	3/16	0.02	1.80
1-11/16 1-3/4	2.81	6.13	1.95	3.62	5.13	7/16	2.09	0.50	4.250	3.00	7/16 - 14	2.97	0.73	.88	1/4	0.02	2.08
1-15/16 2	2.86	6.38	2.10	3.80	5.38	7/16	1.99	0.63	4.500	3.28	7/16 - 14	3.05	0.88	1.06	1/4	0.02	2.30
2-3/16 2-1/4	3.03	7.30	2.22	4.24	6.00	1/2	2.06	0.58	5.000	3.50	1/2-13	3.19	1.00	1.13	1/4	0.02	2.59
2-7/16 2-1/2	3.42	7.63	2.35	4.60	6.50	1/2	2.40	0.70	5.500	3.80	1/2-13	3.53	1.04	1.13	1/4	0.03	2.94
2-11/16 2-3/4 2-15/16 3	3.50	8.75	2.47	5.30	7.50	5/8	2.35	0.81	6.375	4.20	5/8 - 11	3.60	1.15	1.25	1/4	0.03	3.47
3-3/16 3-1/4 3-7/16 3-1/2	4.17	10.34	2.79	6.10	8.63	3/4	2.88	1.00	7.375	5.00	3/4 - 10	4.19	1.30	1.31	1/4	0.03	4.05
3-11/16 3-15/16 4	4.70	10.88	3.61	6.63	9.38	3/4	2.82	1.01	8.125	5.45	3/4 - 10	4.95	1.88	2.13	5/16	0.03	4.50
4-7/16 4-1/2	5.23	13.50	3.80	5.89	11.75	3/4 **	3.51	1.01	10.250	6.34	3/4 - 10	5.41	1.74	1.90	3/8	0.04	5.00

*P' & 'G' ARE FOR NON-EXPANSION ONLY

'A' & 'P' DIMENSIONS DO NOT INCLUDE 'Y' DIMENSION

* +0.000 / -0.002

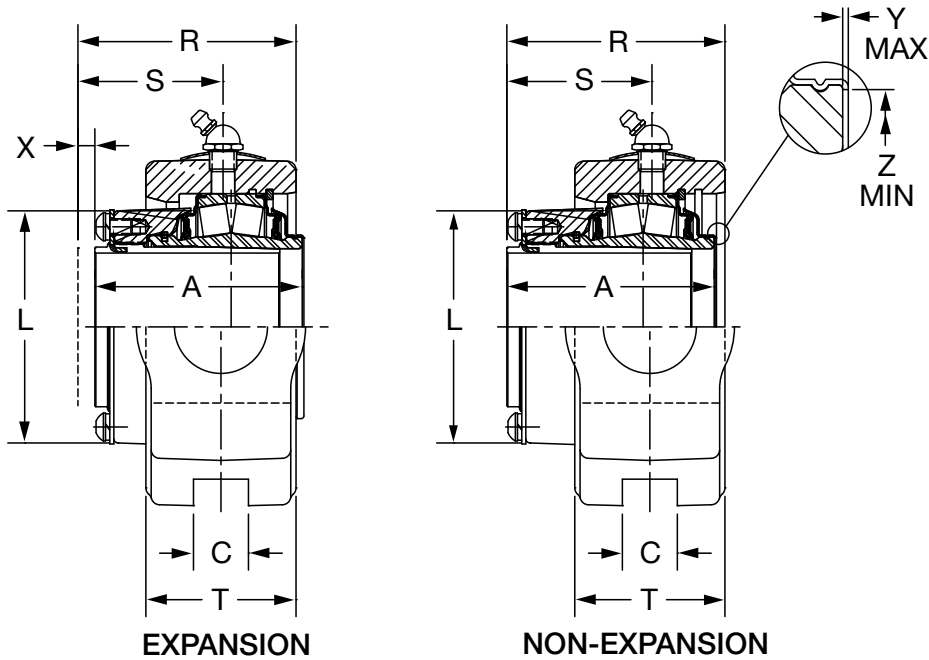
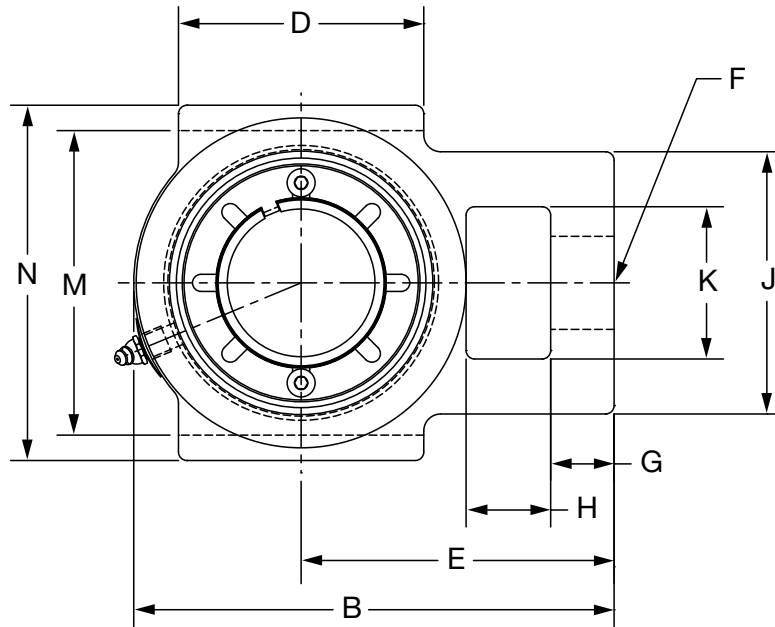
** 6 holes, equally spaced

FEATURES/BENEFITS PAGE B14-2	SPECIFICATIONS PAGE B14-5	HOW TO ORDER/NOMENCLATURE PAGE B14-8	SELECTION PAGE B14-14
---------------------------------	------------------------------	---	--------------------------

DIMENSIONS

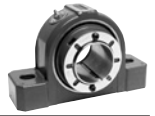


IMPERIAL - IP Wide Slot Take-Up 1-1/8 THRU 2-1/4 INCH



NOTE: See page B14-94 for 2-3/8" THRU 4"

FEATURES/BENEFITS PAGE B14-2	SPECIFICATIONS PAGE B14-5	HOW TO ORDER/NOMENCLATURE PAGE B14-8	SELECTION PAGE B14-14
---------------------------------	------------------------------	---	--------------------------



DIMENSIONS

IMPERIAL - IP Wide Slot Take-Up 1-1/8 THRU 2-1/4 INCH

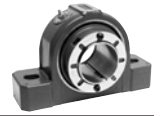
Bearing	Shaft Size Inch	Take-Up Frame	TRIDENT Seal			
			Non-Expansion		Expansion	
			Part No.	Part Name	Part No.	Part Name
22208	1-1/8	CP-308	069340	WSTU-IP-102R	069368	WSTU-IP-102RE
	1-3/16		069341	WSTU-IP-103R	069369	WSTU-IP-103RE
	1-1/4		069342	WSTU-IP-104R	069370	WSTU-IP-104RE
	1-3/8		069343	WSTU-IP-106R	069371	WSTU-IP-106RE
	1-7/16		069344	WSTU-IP-107R	069372	WSTU-IP-107RE
	1-1/2		069345	WSTU-IP-108R	069373	WSTU-IP-108RE
22209	1-5/8	CP-400	069346	WSTU-IP-110R	069374	WSTU-IP-110RE
	1-11/16		069347	WSTU-IP-111R	069375	WSTU-IP-111RE
	1-3/4		069348	WSTU-IP-112R	069376	WSTU-IP-112RE
22210	1-7/8	CP-400	069349	WSTU-IP-114R	069377	WSTU-IP-114RE
	1-15/16		069350	WSTU-IP-115R	069378	WSTU-IP-115RE
	2		069351	WSTU-IP-200R	069379	WSTU-IP-200RE
22211	2-3/16	CP-408	069352	WSTU-IP-203R	069380	WSTU-IP-203RE
	2-1/4		069353	WSTU-IP-204R	069381	WSTU-IP-204RE

Metric shaft sizes available upon request
See Page B15-20 for CP. Take-Up Frame

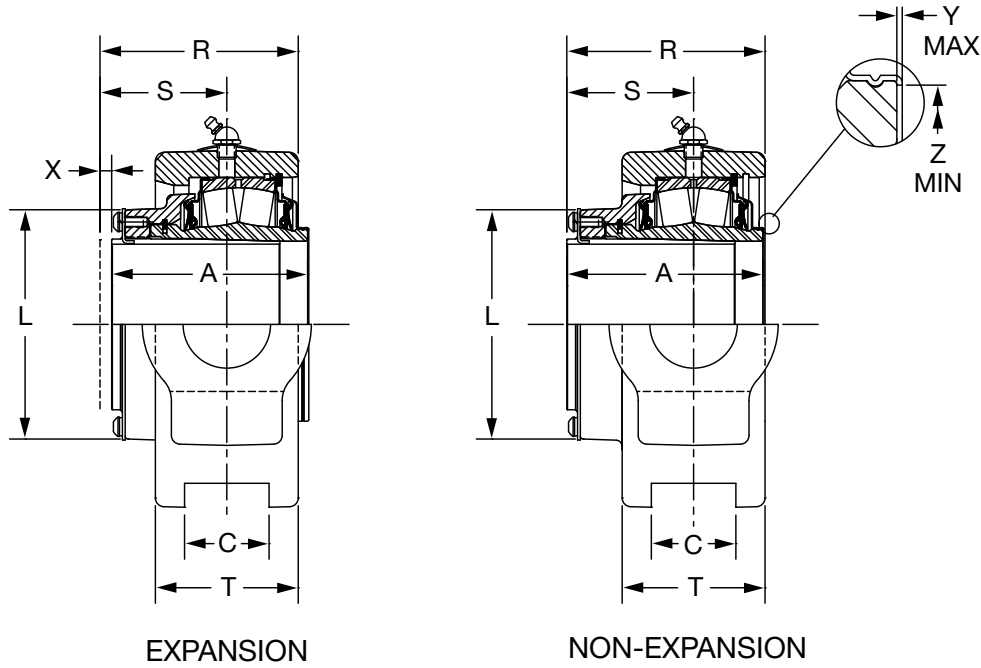
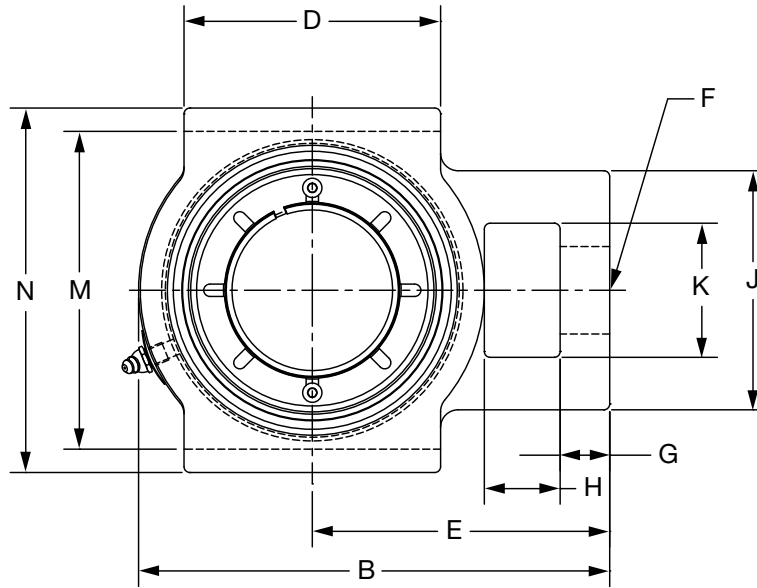
Shaft Size	A	B	C	D	E	F	G	H	J	K	L	M	N	R	S	T	X Total Exp	Y	Z
1-1/8	2.63	5.06	0.53	2.75	3.19	7/8	0.69	0.63	2.44	1.44	2.72	3.50	4.13	2.83	1.73	2.06	3/16	0.02	1.80
1-3/16																			
1-1/4																			
1-3/8																			
1-7/16																			
1-1/2																			
1-5/8	2.81	5.94	0.69	3.13	3.81	1-1/8	0.94	0.75	3.31	1.94	3.00	4.00	4.75	2.97	1.98	2.03	1/4	0.02	2.08
1-11/16																			
1-3/4																			
1-7/8	2.86	6.19	0.69	3.63	3.94	1-1/8	0.94	0.75	3.31	1.94	3.28	4.00	4.75	2.94	2.00	2.00	1/4	0.02	2.30
1-15/16																			
2																			
2-3/16	3.03	7.06	0.81	3.63	4.63	1-3/8	0.94	1.25	3.88	2.25	3.50	4.50	5.25	3.19	2.11	2.22	1/4	0.03	2.60
2-1/4																			

FEATURES/BENEFITS PAGE B14-2	SPECIFICATIONS PAGE B14-5	HOW TO ORDER/NOMENCLATURE PAGE B14-8	SELECTION PAGE B14-14
---------------------------------	------------------------------	---	--------------------------

DIMENSIONS



IMPERIAL - IP Wide Slot Take-Up 2-3/8 THRU 4 INCH



NOTE: See page B14-92 for 1-1/8 thru 2-1/4 inch

FEATURES/BENEFITS PAGE B14-2	SPECIFICATIONS PAGE B14-5	HOW TO ORDER/NOMENCLATURE PAGE B14-8	SELECTION PAGE B14-14
---------------------------------	------------------------------	---	--------------------------

DIMENSIONS



IMPERIAL - IP Wide Slot Take-Up 2-3/8 THRU 4 INCH

Bearing Reference Guide

E-Family Roller Bearings

Specialty Tapered Products

S-2000

UNISPHERE II

IMPERIAL

UNIFIED SAF

Bearing	Shaft Size inch	Take-Up Frame	TRIDENT Seal			
			Non-Expansion		Expansion	
			Part No.	Part Name	Part No.	Part Name
22213	2-3/8	CP-502	069354	WSTU-IP-206R	069382	WSTU-IP-206RE
	2-7/16		069355	WSTU-IP-207R	069383	WSTU-IP-207RE
	2-1/2		069356	WSTU-IP-208R	069384	WSTU-IP-208RE
22215	2-11/16	CP-515	069357	WSTU-IP-211R	069385	WSTU-IP-211RE
	2-3/4		069358	WSTU-IP-212R	069386	WSTU-IP-212RE
	2-15/16		069359	WSTU-IP-215R	069387	WSTU-IP-215RE
	3		069360	WSTU-IP-300R	069388	WSTU-IP-300RE
22218	3-3/16	CP-613	069361	WSTU-IP-303R	069389	WSTU-IP-303RE
	3-1/4		069362	WSTU-IP-304R	069390	WSTU-IP-304RE
	3-7/16		069363	WSTU-IP-307R	069391	WSTU-IP-307RE
	3-1/2		069364	WSTU-IP-308R	069392	WSTU-IP-308RE
22220	3-11/16	CP-810	069365	WSTU-IP-311R	069393	WSTU-IP-311RE
	3-15/16		069366	WSTU-IP-315R	069394	WSTU-IP-315RE
	4		069367	WSTU-IP-400R	069395	WSTU-IP-400RE

Metric shaft sizes available upon request

See Page B15-20 for CP Take-U Frame

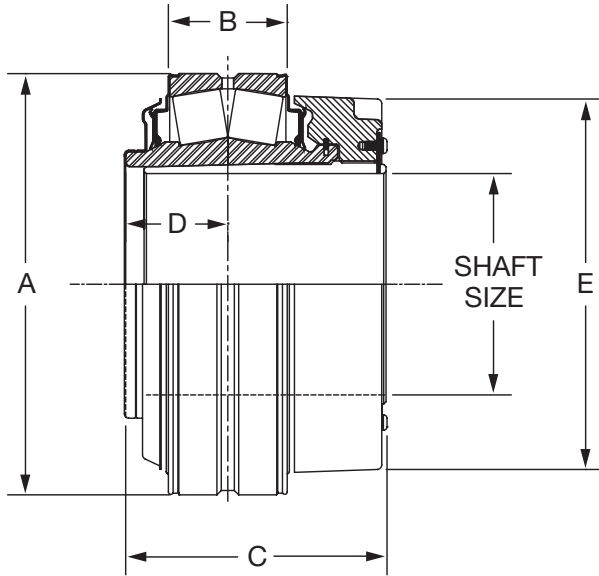
Shaft Size	A	B	C	D	E	F	G	H	J	K	L	M	N	R	S	T	X Total Exp	Y	Z
2-3/8																			
2-7/16	3.42	7.69	1.06	4.38	5.00	1-3/8	1.06	1.25	4.25	2.50	3.88	5.13	5.88	3.44	2.22	2.44	1/4	0.03	2.95
2-1/2																			
2-11/16																			
2-3/4	3.50	8.88	1.81	4.50	5.75	1-5/8	1.13	1.50	4.88	2.75	4.28	5.94	6.69	3.67	2.28	2.69	1/4	0.03	3.47
2-15/16																			
3																			
3-3/16																			
3-1/4	4.16	10.06	1.81	5.50	6.38	1-7/8	1.06	1.63	5.13	2.88	5.00	6.81	7.81	4.22	2.69	3.06	1/4	0.03	4.05
3-7/16																			
3-1/2																			
3-11/16																			
3-15/16	4.70	12.56	2.06	7.00	8.38	2-1/8	2.06	2.13	6.00	3.38	5.56	8.63	9.44	4.80	3.05	3.44	5/16	0.03	4.50
4																			

FEATURES/BENEFITS PAGE B14-2	SPECIFICATIONS PAGE B14-5	HOW TO ORDER/NOMENCLATURE PAGE B14-8	SELECTION PAGE B14-14
---------------------------------	------------------------------	---	--------------------------

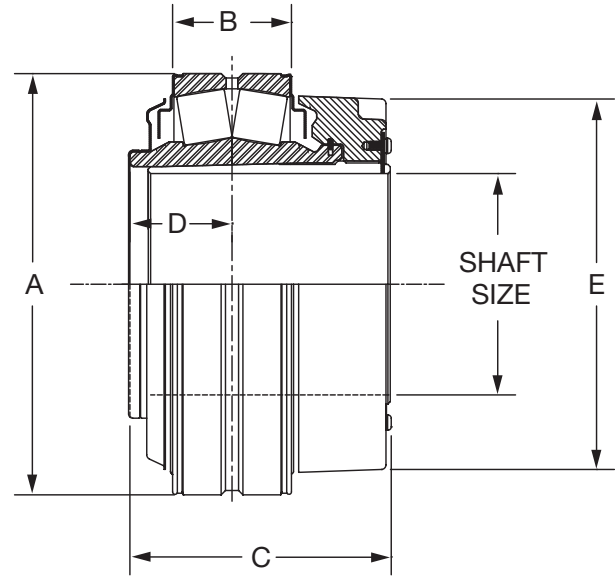
DIMENSIONS



IMPERIAL Bearing Insert 1-1/8 THRU 2-1/4 INCH



TRIDENT SEAL



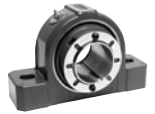
LABYRINTH SEAL

Bearing Series	Shaft Size Inch	TRIDENT Seal		Labyrinth Seal		A	B	C	D	E
		Part Number	Part Name	Part Number	Part Name					
22208	1-1/8	070880	INS-IP-102R	070912	INS-IP-102L	3.15	0.95	2.63	0.97	2.72
	1-3/16	070881	INS-IP-103R	070913	INS-IP-103L					
	1-1/4	070882	INS-IP-104R	070914	INS-IP-104L					
	1-3/8	070883	INS-IP-106R	070915	INS-IP-106L					
	1-7/16	070884	INS-IP-107R	070916	INS-IP-107L					
1-1/2	070885	INS-IP-108R	070917	INS-IP-108L						
22209	1-1/2 *	071590	INS-IPE-108R	071593	INS-IPE-108L	3.35	0.95	2.81	0.95	3.00
	1-5/8	070886	INS-IP-110R	070918	INS-IP-110L					
	1-11/16	070887	INS-IP-111R	070919	INS-IP-111L					
22210	1-3/4 *	071591	INS-IPE-112R	071594	INS-IPE-112L	3.54	0.95	2.86	0.98	3.28
	1-7/8	070889	INS-IP-114R	070921	INS-IP-114L					
	1-15/16	070890	INS-IP-115R	070922	INS-IP-115L					
	2	070891	INS-IP-200R	070923	INS-IP-200L					
22211	2-3/16	070892	INS-IP-203R	070924	INS-IP-203L	3.94	1.05	3.03	1.05	3.50
	2-1/4	070893	INS-IP-204R	070925	INS-IP-204L					

* Inserts for IMPERIAL-Type E dimensioned housings only

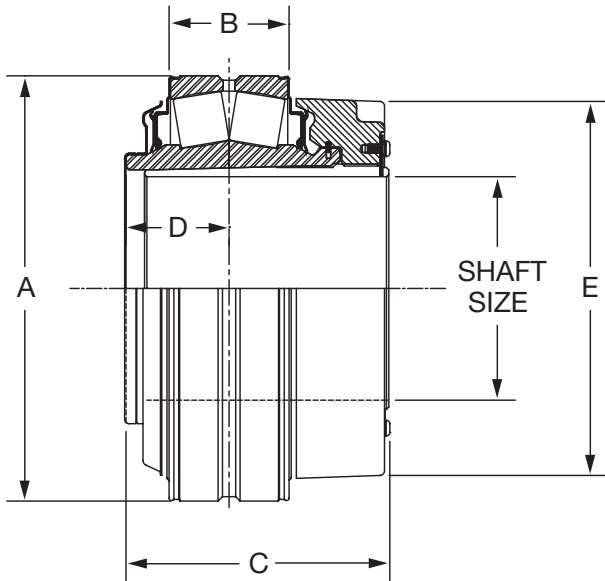
Metric shaft sizes available upon request

FEATURES/BENEFITS PAGE B14-2	SPECIFICATIONS PAGE B14-5	HOW TO ORDER/NOMENCLATURE PAGE B14-8	SELECTION PAGE B14-14
---------------------------------	------------------------------	---	--------------------------

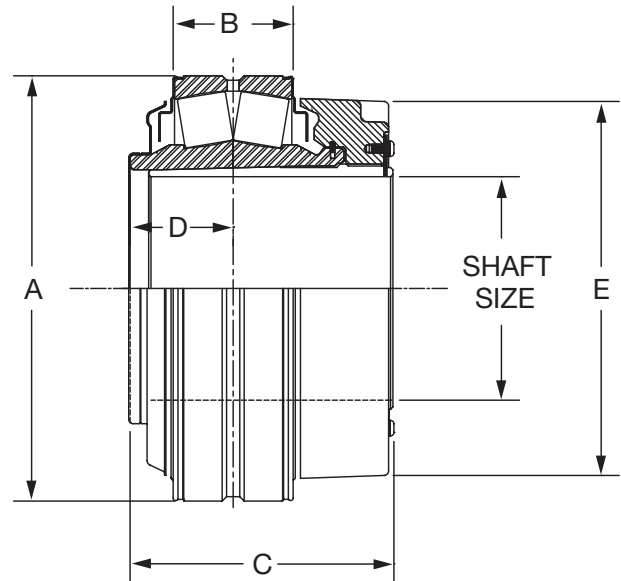


DIMENSIONS

IMPERIAL Bearing Insert 2-3/8 THRU 5 INCH



TRIDENT SEAL



LABYRINTH SEAL

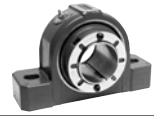
Bearing Series	Shaft Size	TRIDENT Seal		Labyrinth Seal		A	B	C	D	E
		Part Number	Part Name	Part Number	Part Name					
22213	2-1/4 *	071592	INS-IP-204R	071595	INS-IP-204L	4.72	1.28	3.42	1.21	3.88
	2-3/8	070894	INS-IP-206R	070926	INS-IP-206L					
	2-7/16	070895	INS-IP-207R	070927	INS-IP-207L					
	2-1/2	070896	INS-IP-208R	070928	INS-IP-208L					
22215	2-11/16	070897	INS-IP-211R	070929	INS-IP-211L	5.12	1.28	3.50	1.22	4.28
	2-3/4	070898	INS-IP-212R	070930	INS-IP-212L					
	2-15/16	070899	INS-IP-215R	070931	INS-IP-215L					
	3	070900	INS-IP-300R	070932	INS-IP-300L					
22218	3-3/16	070901	INS-IP-303R	070933	INS-IP-303L	6.30	1.63	4.17	1.48	5.00
	3-1/4	070902	INS-IP-304R	070934	INS-IP-304L					
	3-7/16	070903	INS-IP-307R	070935	INS-IP-307L					
	3-1/2	070904	INS-IP-308R	070936	INS-IP-308L					
22220	3-11/16	070905	INS-IP-311R	070937	INS-IP-311L	7.09	1.88	4.70	1.65	5.56
	3-15/16	070906	INS-IP-315R	070938	INS-IP-315L					
	4	070907	INS-IP-400R	070939	INS-IP-400L					
22222	4-7/16	070908	INS-IP-407R	070940	INS-IP-407L	7.87	2.16	5.23	1.94	6.44
	4-1/2	070909	INS-IP-408R	070941	INS-IP-408L					
22226	4-15/16	070910	INS-IP-415R	070942	INS-IP-415L	9.06	2.59	5.98	2.11	7.63
	5	070911	INS-IP-500R	070943	INS-IP-500L					

* Insert for IMPERIAL-Type E dimensioned housings only

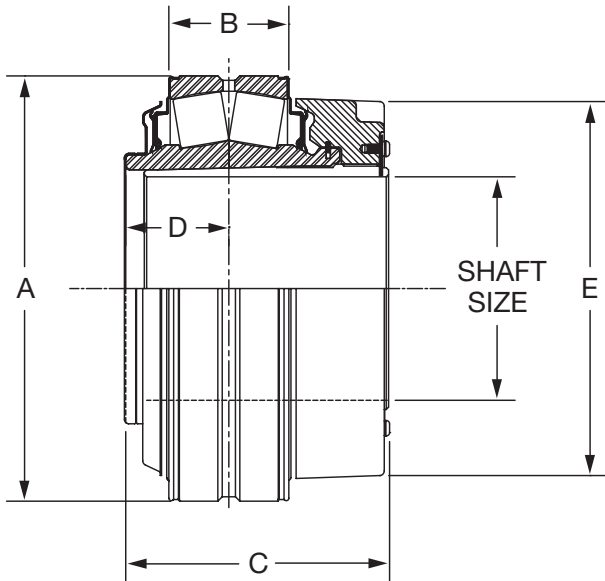
Metric shaft sizes available upon request

FEATURES/BENEFITS PAGE B14-2	SPECIFICATIONS PAGE B14-5	HOW TO ORDER/NOMENCLATURE PAGE B14-8	SELECTION PAGE B14-14
---------------------------------	------------------------------	---	--------------------------

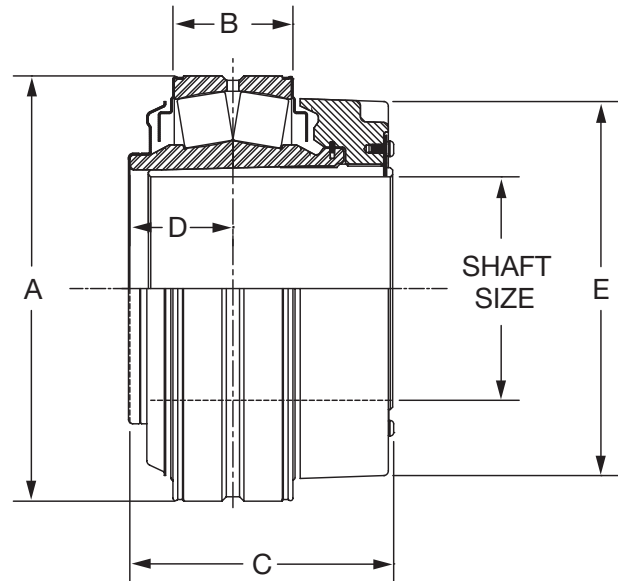
DIMENSIONS



IMPERIAL Bearing Insert - For Large Bore ISAF Housing 5-7/16 THRU 7 INCH



TRIDENT SEAL



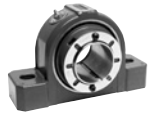
LABYRINTH SEAL

Bearing Series	Shaft Size	TRIDENT Seal		Labyrinth Seal	
		Part Number	Part Name	Part Number	Part Name
22228	5-7/16	037925	INS-IP-507R	037933	INS-IP-507L
	5-1/2	037926	INS-IP-508R	037934	INS-IP-508L
22232	5-15/16	037927	INS-IP-515R	037935	INS-IP-515L
	6	037928	INS-IP-600R	037936	INS-IP-600L
22236	6-7/16	037929	INS-IP-607R	037937	INS-IP-607L
	6-1/2	037930	INS-IP-608R	037938	INS-IP-608L
	6-15/16	037931	INS-IP-615R	037939	INS-IP-615L
	7	037932	INS-IP-700R	037940	INS-IP-700L

Metric shaft sizes available upon request

Shaft Size	A	B	C	D	E
5-7/16					
5-1/2	9.84	2.75	6.17	2.34	8.75
5-15/16					
6	11.42	3.22	7.08	2.77	10.25
6-7/16					
6-1/2	12.60	3.47	7.39	2.86	11.41
6-15/16					
7					

FEATURES/BENEFITS PAGE B14-2	SPECIFICATIONS PAGE B14-5	HOW TO ORDER/NOMENCLATURE PAGE B14-8	SELECTION PAGE B14-14
---------------------------------	------------------------------	---	--------------------------



DIMENSIONS

HOW TO ORDER ISAF SMART STOCK SELECTIONS

STEP 1: The Housing Choices

- ISAF housings with embedded thermocouple probe and adapter plate.

Shaft Size	Series	Part Numbers Drilled Housing For Temperature or Vibration
207	515	063765
215	517	063766
307	520	063767
315	522	063768
407	526	063769
415	528	063770

STEP 2: Bearing Insert

- Select insert based on shaft size and seal choice. Locknut contains holes for prox target attachment.

Shaft Size	Contact Seal	Labyrinth Seals
207	070895	070927
215	070899	070931
307	070903	070935
315	070906	070938
407	048385	048389
415	048386	048390

STEP 3: The Sensor Choices

- For speed monitoring, select prox cover and AC prox kit (055940), AC for PLC monitoring.
- For temperature monitoring, select the Thermocouple Transmitter kit **055931**.
- For temperature and vibration monitoring, select **067576**.

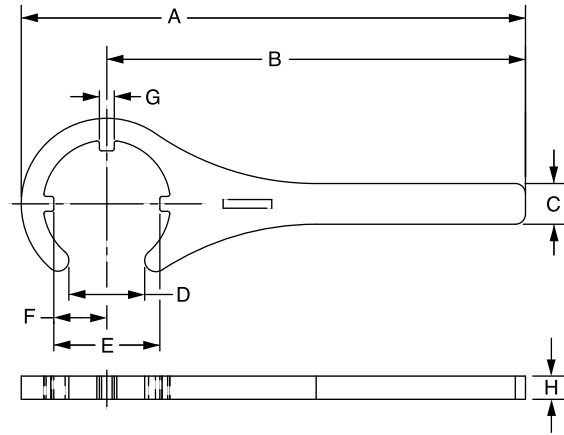
Prox Covers		
Shaft Size	Housing Series	Part Number
207	515	063771
215	517	063772
307	520	063773
315	522	063774
407	526	063775
415	528	063776

ISAF Sensor Kits	Part Number
AC Prox	055940
Thermocouple Transmitter	055931
4-20mA Accelerometer and Thermocouple	067576

DIMENSIONS

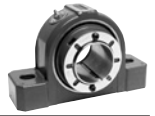


IMPERIAL Spanner Wrench



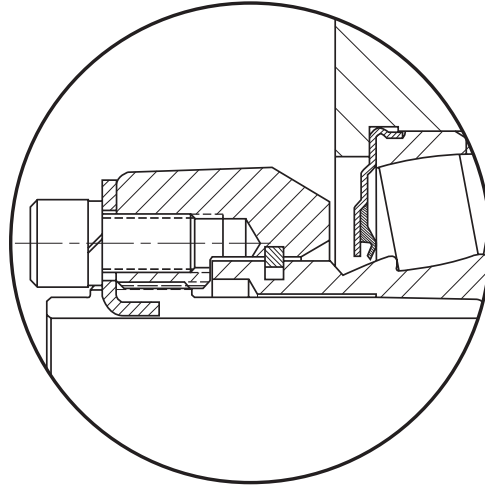
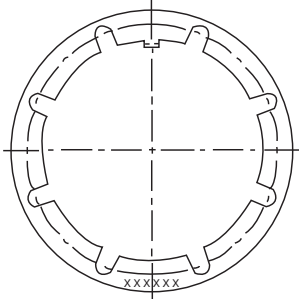
Shaft Size	Part Number	A	B	C	D	E	F	G	H
1-1/8 thru 1-1/2	066629	10.84	9.00	0.88	1.63	2.28	1.14	0.32	0.50
1-5/8 thru 1-3/4	066630	11.04	9.00	0.88	1.88	2.48	1.24	0.32	0.50
1-7/8 thru 2	066631	11.20	9.00	0.88	2.13	2.72	1.36	0.32	0.50
2-3/16 thru 2-1/4	066632	12.38	10.00	0.88	2.38	2.98	1.49	0.44	0.50
2-3/8 thru 2-1/2	066633	12.63	10.00	1.31	2.63	3.40	1.70	0.44	0.50
2-11/16 thru 3	066634	16.90	14.00	1.31	3.13	3.80	1.90	0.44	0.50
3-3/16 thru 3-1/2	066635	17.39	14.00	1.31	3.63	4.36	2.18	0.44	0.50
3-11/16 thru 4	066636	17.75	14.00	1.75	4.13	4.91	2.46	0.44	0.50
4-7/16 thru 4-1/2	066637	20.36	16.00	1.75	4.63	5.68	2.84	0.44	0.50
4-15/16 thru 5	066638	25.17	20.00	2.00	5.13	6.88	3.44	0.44	0.50
5-7/16 thru 5-1/2	066642	27.82	22.00	2.00	5.63	8.05	4.03	0.69	0.50
5-15/16 thru 6	066643	28.75	22.00	2.00	6.13	9.13	4.57	0.75	0.50
6-7/16 thru 7	066644	31.54	24.00	2.00	7.13	10.08	5.04	0.75	0.50

FEATURES/BENEFITS PAGE B14-2	SPECIFICATIONS PAGE B14-5	HOW TO ORDER/NOMENCLATURE PAGE B14-8	SELECTION PAGE B14-14
---------------------------------	------------------------------	---	--------------------------



DIMENSIONS

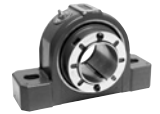
IMPERIAL Lockplate Kit



The Lockplate Kits consists of:
 Lockplate
 2 Socket Head Capscrews
 2 Lockwashers

Shaft Size Inch	Part Number
1-7/16	048925
1-11/16	048926
1-15/16 2 SM	048927
2 LG 2-3/16	048928
2-3/8 2-7/16	048929
2-11/16 2-3/4 2-15/16	048930
3-7/16	048931
3-15/16	048932
4-7/16	048933
4-15/16	048934

DIMENSIONS



Steel IMPERIAL Open End Covers

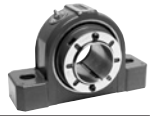


Shaft Size	Front End				Backside			
	IMPERIAL		E-IMPERIAL		IMPERIAL		E-IMPERIAL	
	Dodge Part No.	Description	Dodge Part No.	Description	Dodge Part No.	Description	Dodge Part No.	Description
1-1/8	070160	IPECO-08-102	070160	IPECO-08-102	072500	S2IPBECO-08-102	072500	S2IPBECO-08-102
1-3/16	070161	IPECO-08-103	070161	IPECO-08-103	072501	S2IPBECO-08-103	072501	S2IPBECO-08-103
1-1/4	070162	IPECO-08-104	070162	IPECO-08-104	072502	S2IPBECO-08-104	072502	S2IPBECO-08-104
1-3/8	070163	IPECO-08-106	070163	IPECO-08-106	072503	S2IPBECO-08-106	072503	S2IPBECO-08-106
1-7/16	070164	IPECO-08-107	070164	IPECO-08-107	072504	S2IPBECO-08-107	072504	S2IPBECO-08-107
1-1/2	070165	IPECO-08-108	070166	IPECO-09-108	072505	S2IPBECO-08-108	072506	S2IPBECO-09-108
1-5/8	070167	IPECO-09-110	070167	IPECO-09-110	072507	S2IPBECO-09-110	072507	S2IPBECO-09-110
1-11/16	070168	IPECO-09-111	070168	IPECO-09-111	072508	S2IPBECO-09-111	072508	S2IPBECO-09-111
1-3/4	070169	IPECO-09-112	070170	IPECO-10-112	072509	S2IPBECO-09-112	072510	S2IPBECO-10-112
1-7/8	070171	IPECO-10-114	070171	IPECO-10-114	072511	S2IPBECO-10-114	072511	S2IPBECO-10-114
1-15/16	070172	IPECO-10-115	070172	IPECO-10-115	072512	S2IPBECO-10-115	072512	S2IPBECO-10-115
2	070173	IPECO-10-200	070173	IPECO-10-200	072513	S2IPBECO-10-200	072513	S2IPBECO-10-200
2-3/16	070174	IPECO-11-203	070174	IPECO-11-203	072514	S2IPBECO-11-203	072514	S2IPBECO-11-203
2-1/4	070175	IPECO-11-204	070176	S2IPECO-13-204	072515	S2IPBECO-11-204	072516	S2IPBECO-13-204
2-3/8	070177	S2IPECO-13-206	070177	S2IPECO-13-206	072517	S2IPBECO-13-206	072517	S2IPBECO-13-206
2-7/16	070178	S2IPECO-13-207	070178	S2IPECO-13-207	072518	S2IPBECO-13-207	072518	S2IPBECO-13-207
2-1/2	070179	S2IPECO-13-208	070179	S2IPECO-13-208	072519	S2IPBECO-13-208	072519	S2IPBECO-13-208
2-11/16	070180	IPECO-15-211	070180	IPECO-15-211	072520	S2IPBECO-15-211	072520	S2IPBECO-15-211
2-3/4	070181	IPECO-15-212	070181	IPECO-15-212	072521	S2IPBECO-15-212	072521	S2IPBECO-15-212
2-15/16	070182	IPECO-15-215	070182	IPECO-15-215	072522	S2IPBECO-15-215	072522	S2IPBECO-15-215
3	070183	IPECO-15-300	070183	IPECO-15-300	072523	S2IPBECO-15-300	072523	S2IPBECO-15-300
3-3/16	070184	S2IPECO-18-303	070184	S2IPECO-18-303	072524	S2IPBECO-18-303	072524	S2IPBECO-18-303
3-1/4	070185	S2IPECO-18-304	070185	S2IPECO-18-304	072525	S2IPBECO-18-304	072525	S2IPBECO-18-304
3-7/16	070186	S2IPECO-18-307	070186	S2IPECO-18-307	072526	S2IPBECO-18-307	072526	S2IPBECO-18-307
3-1/2	070187	S2IPECO-18-308	070187	S2IPECO-18-308	072527	S2IPBECO-18-308	072527	S2IPBECO-18-308
3-11/16	070188	S2IPECO-20-311	070188	S2IPECO-20-311	072528	S2IPBECO-20-311	072528	S2IPBECO-20-311
3-15/16	070189	S2IPECO-20-315	070189	S2IPECO-20-315	072529	S2IPBECO-20-315	072529	S2IPBECO-20-315
4	070190	S2IPECO-20-400	070190	S2IPECO-20-400	072530	S2IPBECO-20-400	072530	S2IPBECO-20-400
4-7/16	070191	S2IPECO-22-407	070191	S2IPECO-22-407	072531	IPBECO-22-407	072531	IPBECO-22-407
4-1/2	070192	S2IPECO-22-408	070192	S2IPECO-22-408	072533	IPBECO-22-408	072533	IPBECO-22-408
4-15/16	070193	S2IPECO-26-415	070193	S2IPECO-26-415	072534	IPBECO-26-415	072534	IPBECO-26-415
5	070194	S2IPECO-26-500	070194	S2IPECO-26-500	072536	IPBECO-26-500	072536	IPBECO-26-500

NOTE: ISAF product will use the same front end covers on the sides of the housing

FEATURES/BENEFITS PAGE B14-2	SPECIFICATIONS PAGE B14-5	HOW TO ORDER/NOMENCLATURE PAGE B14-8	SELECTION PAGE B14-14
---------------------------------	------------------------------	---	--------------------------

DIMENSIONS



Steel IMPERIAL Closed End Covers



Shaft Size	IMPERIAL		E-IMPERIAL	
	Dodge Part No.	Description	Dodge Part No.	Description
1-1/8 to 1-7/16	069960	IPEC08	069960	IPEC08
1-1/2	069960	IPEC08	069961	IPEC09
1-5/8 to 1-11/16	069961	IPEC09	069961	IPEC09
1-3/4	069961	IPEC09	069962	IPEC10
1-7/8 to 2	069962	IPEC10	069962	IPEC10
2-3/16	069963	IPEC11	069963	IPEC11
2-1/4	069963	IPEC11	069964	IPEC13
2-3/8 to 2-1/2	069964	IPEC13	069964	IPEC13
2-11/16 to 3	069965	IPEC15	069965	IPEC15
3-3/16 to 3-1/2	069966	IPEC18	069966	IPEC18
3-11/16 to 4	069967	S2IPEC20	069967	S2IPEC20
4-7/16 to 4-1/2	069968	S2IPEC22	069968	S2IPEC22
4-15/16 to 5	069969	S2IPEC26	069969	S2IPEC26

Bearing Reference Guide

E-Family Roller Bearings

Specialty Tapered Products

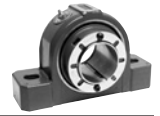
S-2000

UNISPHERE II

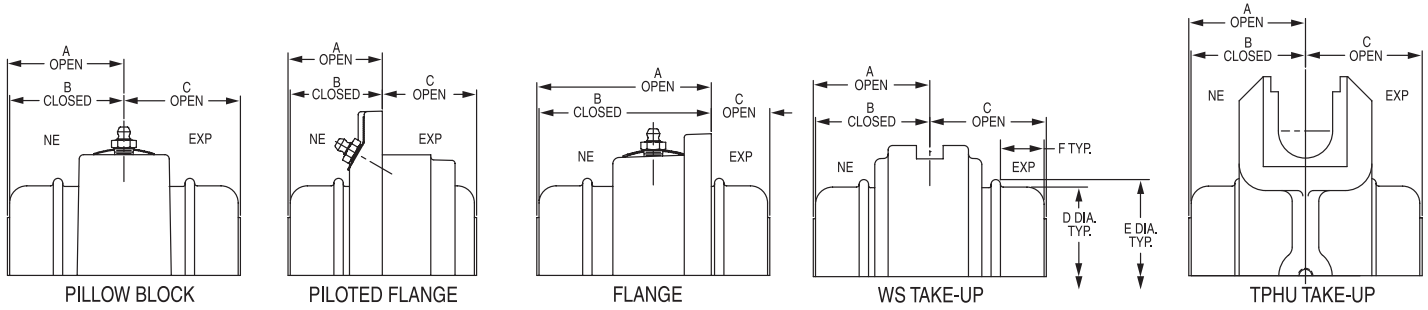
IMPERIAL

UNIFIED SAF

FEATURES/BENEFITS PAGE B14-2	SPECIFICATIONS PAGE B14-5	HOW TO ORDER/NOMENCLATURE PAGE B14-8	SELECTION PAGE B14-14
---------------------------------	------------------------------	---	--------------------------



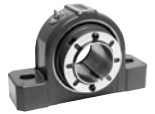
IP End Cover



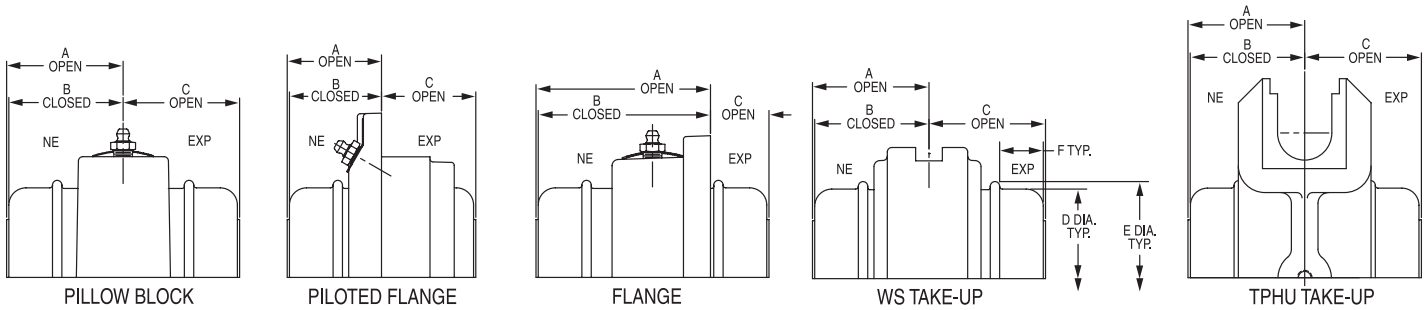
	Shaft Size	IP Pillow Block (2 Bolt)	IP Pillow Block (4 Bolt)	IP Piloted Flange	IP Round Flange	IP Square Flange	Wide Slot Take-Up
A Open	1-1/8	2.03		1.67	3.12	3.45	2.06
B Closed	Thru	1.97	N/A	1.61	3.06	3.39	2.00
C Open	1-1/2	2.10		2.46	0.99	0.99	2.10
A Open	1-5/8	2.22		1.83	3.33	4.07	2.19
B Closed	1-11/16	2.16	N/A	1.77	3.27	4.01	2.13
C Open	1-3/4	2.25		2.60	1.10	1.10	2.25
A Open	1-7/8	2.31		1.92	3.47	3.95	2.25
B Closed	1-15/16	2.25	N/A	1.86	3.41	3.89	2.19
C Open	2	2.45		2.83	1.28	1.28	2.45
A Open	2-3/16	2.47		2.00	3.69	4.53	2.42
B Closed	Thru	2.41	N/A	1.94	3.63	4.47	2.36
C Open	2-1/4	2.54		3.00	1.32	1.32	2.54
A Open	2-3/8	2.53	2.53	2.18	4.04	4.72	2.53
B Closed	2-7/16	2.44	2.44	2.09	3.95	4.63	2.44
C Open	2-1/2	2.77	2.77	3.24	1.37	1.37	2.77
A Open	2-11/16	2.65	2.65	2.29	4.18	5.06	2.70
B Closed	Thru	2.56	2.56	2.20	4.09	4.97	2.61
C Open	3	3.06	3.06	3.54	1.66	1.66	3.06
A Open	3-3/16	3.07	3.07	2.91		5.78	3.07
B Closed	Thru	2.94	2.94	2.78	N/A	5.65	2.94
C Open	3-1/2	3.31	3.31	3.59		1.63	3.31
A Open	3-11/16	3.49	3.49	3.32		7.17	3.52
B Closed	Thru	3.36	3.36	3.19	N/A	7.04	3.39
C Open	4	3.80	3.80	4.13		1.94	3.80
A Open	4-7/16		3.96	4.02			
B Closed	Thru	N/A	3.83	3.89	N/A	N/A	N/A
C Open	4-1/2		4.23	4.16			
A Open	4-15/16		4.49	4.24			
B Closed	Thru	N/A	4.36	4.11	N/A	N/A	N/A
C Open	5		4.69	4.91			

FEATURES/BENEFITS PAGE B14-2	SPECIFICATIONS PAGE B14-5	HOW TO ORDER/NOMENCLATURE PAGE B14-8	SELECTION PAGE B14-14
---------------------------------	------------------------------	---	--------------------------

DIMENSIONS



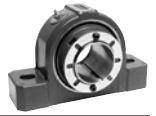
IP End Cover



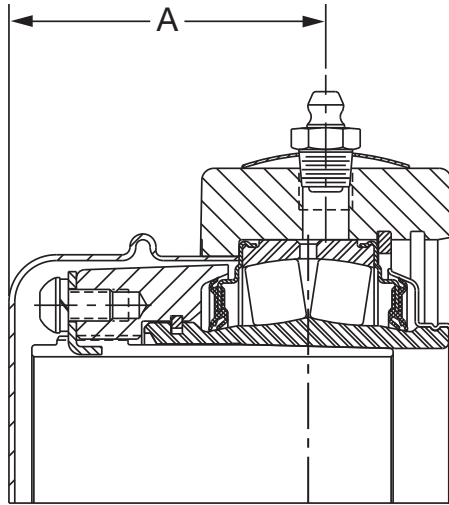
	Shaft Size	E-IP Pillow Block (2 Bolt)	E-IP Pillow Block (4 Bolt)	E-IP Piloted Flange	E-IP Square Flange	D	E	F		Shaft Size	ISAF Pillow Block (2 Bolt)	ISAF Pillow Block (4 Bolt)
A Open	1-3/8	2.03		1.67	3.45				A Open		2.04	
B Closed	Thru	1.97	N/A	1.61	3.39	2.94	3.19	3/4	B Closed	1-7/16	1.98	N/A
C Open	1-7/16	2.07		2.46	1.20				C Open		2.05	
A Open	1-1/2	2.22		1.83	4.07				A Open		2.20	
B Closed	1-5/8	2.16	N/A	1.77	4.01	3.27	3.39	7/8	B Closed	1-11/16	2.14	N/A
C Open	1-11/16	2.22		2.60	1.20				C Open		2.18	
A Open	1-3/4	2.31		1.92	3.95				A Open		2.35	
B Closed	Thru	2.25	N/A	1.86	3.89	3.52	3.61	1-1/64	B Closed	1-15/16	2.29	N/A
C Open	2	2.45		2.83	1.38				C Open		2.37	
A Open		2.47		2.00	4.53				A Open		2.46	
B Closed	2-3/16	2.41	N/A	1.94	4.47	3.77	3.95	1-1/32	B Closed	2-3/16	2.40	N/A
C Open		2.54		3.00	1.43				C Open		2.44	
A Open	2-1/4	2.53	2.53	2.18	4.72				A Open		2.74	2.74
B Closed	2-7/16	2.44	2.44	2.09	4.63	4.41	4.64	1	B Closed	2-7/16	2.65	2.65
C Open	2-1/2	2.77	2.77	3.24	1.69				C Open		2.69	2.69
A Open	2-11/16	2.65	2.63	2.29	5.06				A Open		2.83	2.83
B Closed	Thru	2.56	2.54	2.20	4.97	4.92	5.06	1-7/32	B Closed	2-11/16	2.74	2.74
C Open	3	3.06	3.06	3.54	1.62				C Open		2.94	2.94
A Open	3-3/16	3.07	3.04	2.91	5.78				A Open		2.83	2.83
B Closed	Thru	2.94	2.91	2.78	5.65	5.98	6.22	1-1/8	B Closed	2-15/16	2.74	2.74
C Open	3-1/2	3.31	3.31	3.59	1.38				C Open		2.98	2.98
A Open	3-15/16		3.80	3.31	7.17				A Open		3.31	3.31
B Closed	Thru	N/A	3.67	3.19	7.04	6.67	6.91	1-3/8	B Closed	3-7/16	3.18	3.18
C Open	4		3.80	4.13	2.06				C Open		3.26	3.26
A Open	4-7/16		3.91	3.85	7.62				A Open			3.70
B Closed	Thru	N/A	3.78	3.72	7.49	7.31	7.56	1-43/64	B Closed	3-15/16	N/A	3.57
C Open	4-1/2		4.23	4.68	4.23				C Open			3.68
A Open	4-15/16		4.46	4.08					A Open			4.05
B Closed	Thru	N/A	4.33	3.95	N/A	8.44	8.69	1-29/32	B Closed	4-7/16	N/A	3.92
C Open	5		4.69	5.37					C Open			4.02
									A Open			4.55
									B Closed	4-15/16	N/A	4.42
									C Open			4.49

FEATURES/BENEFITS PAGE B14-2	SPECIFICATIONS PAGE B14-5	HOW TO ORDER/NOMENCLATURE PAGE B14-8	SELECTION PAGE B14-14
---------------------------------	------------------------------	---	--------------------------

DIMENSIONS



ISN End Cap



PILLOW BLOCK

Shaft Size (mm)	End Cover P/N	Description	"A" Dimension
30	069960	IPEC08	49.5
35	069960	IPEC08	49.5
40	069961	IPEC09	55
45	069962	IPEC10	58.3
50	069962	IPEC10	58.3
55	069963	IPEC11	61.7
60	069964	IPEC13	66.3
65	069965	IPEC15	70
70	069965	IPEC15	70
75	069965	IPEC15	70
80	069966	S2IPEC18	78.3
85	069966	S2IPEC18	78.3
90	069967	S2IPEC20	91.2
100	069967	S2IPEC20	91.2
110	069968	S2IPEC22	97.7
115	069969	S2IPEC26	111.4
125	069969	S2IPEC26	111.4