

# SAFETY MOUNT Hydraulic ISAF

## Spherical Roller Bearing



Shaft-ready Hydraulic ISAF out of the box

Dodge® Hydraulic ISAF Pillow Blocks are designed to reduce total cost of ownership. Its integrated hydraulically-assisted adapter mounting system allows for quick, easy, and reliable installation and removal.

Each bearing is factory assembled, sealed, and lubricated to install straight out of the box, saving valuable time and money.

### Safer

- Lockplates ensure locknuts stay tight for dependable gripping power
- Fully assembled and shaft-ready to minimize installation errors
- Sensor-ready with pre-drilled housing to safely remote monitor to avoid unnecessary dangerous situations

### Faster

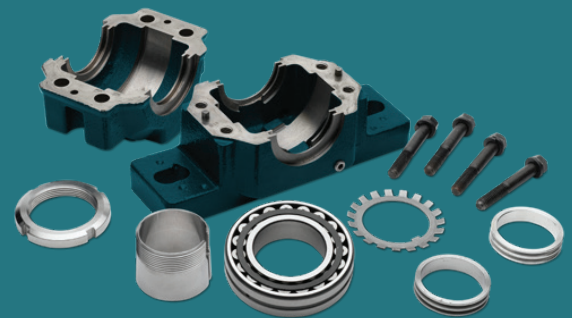
- Significantly faster to install compared to user-assembled SAF bearing installations
- Interchangeable with SAF-style bearings for reduced install assembly time
- Single-person mount and dismount from same side of bearing

### Easier

- Full shaft contact reduces or eliminates fretting corrosion
- Automatic, accurate clearance setting without feeler gauges
- Built-in hydraulic pistons tighten and loosen bearing on shaft for easy install and removal
- Factory assembled, sealed, and lubricated to virtually eliminate on-site contamination

| Which to choose?               | Hydraulic ISAF  | SAF             |
|--------------------------------|-----------------|-----------------|
| One package, shaft-ready       | ✓               | ✗               |
| Ductile iron housing           | ✓               | ✗               |
| Automatic clearance setting    | ✓               | ✗               |
| 100% seal contact and pressure | ✓               | ✗               |
| Greased at the factory         | ✓               | ✗               |
| Grease retained near rollers   | ✓               | ✗               |
| Reduced grease consumption     | ✓               | ✗               |
| Factory sealed                 | ✓               | ✗               |
| Easy mount and dismount        | ✓               | ✗               |
| <b>Installation Time</b>       | <b>15 + min</b> | <b>60 + min</b> |

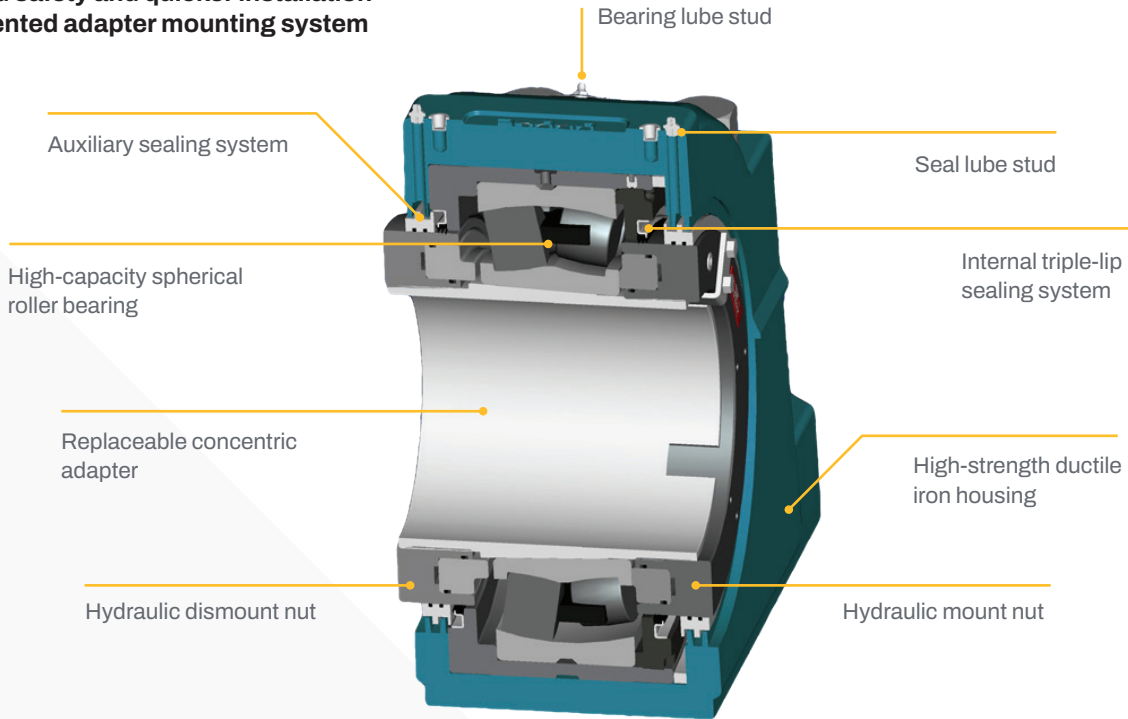
Installation time may vary per user and scenario



User-assembled SAF

# Safety Mount Hydraulic ISAF

Improved safety and quicker installation with patented adapter mounting system



## Product Specifications

| Housing Designation | Bearing Series | Shaft Size (in) | Part Number | Description           | Insert Number |
|---------------------|----------------|-----------------|-------------|-----------------------|---------------|
| 544                 | 22244K         | 7-15/16"        | 072490      | P4B544-ISAF-715R HYD  | 072492        |
| 544                 | 22244K         | 8"              | 072000      | P4B544-ISAF-800R HYD  | 072014        |
| 048                 | 23048K         | 8-1/2"          | 072820      | P4B048-ISAF-808R HYD  | 072822        |
| 048                 | 23048K         | 8-15/16"        | 141266      | P4B048-ISAF-815R HYD  | Contact Dodge |
| 048                 | 23048K         | 9"              | 072001      | P4B048-ISAF-900R HYD  | 072015        |
| 3152                | 23152K         | 9-7/16"         | 072786      | P4B3152-ISAF-907R HYD | 072791        |
| 056                 | 23056K         | 9-15/16"        | 141400      | P4B056-ISAF-915R HYD  | Contact Dodge |
| 056                 | 23056K         | 10"             | 072002      | P4B056-ISAF-1000R HYD | 072016        |
| 056                 | 23056K         | 10-1/2"         | 074115      | P4B056-ISAF-1008R HYD | 074117        |
| 060                 | 23060K         | 11"             | 072003      | P4B060-ISAF-1100R HYD | 072017        |

Please contact Dodge for delivery and to inquire on any Series/Sizes not shown.



PT Place is an eCommerce platform where authorized customers can select and buy Dodge products through single, packaged, or bulk orders. Visit [dodge.ptplace.com](https://dodge.ptplace.com) for access.

- Navigate the product catalog
- Access invoices, added credit memos, and account statements
- Available in imperial and metric unit systems
- Native language conversions

\*Orders can be placed by authorized distributors only.

