

GEARING

Inboard Shaft Guard

For Torque-Arm® II and Motorized Torque-Arm II

Dodge once again leads the industry with the new inboard shaft guard that protects customers from rotating equipment and is designed specifically for Torque-Arm II and Motorized Torque-Arm II reducers. The high quality, impact-resistant, modular design, allows for the use of a wide range of shaft lengths and is built with safety as its main feature. The new guard offers peace of mind, saves money, is easy to install, and can be retrofitted to existing reducers.



Safety

The inboard shaft guard increases safety and meets Occupational Safety and Health Administration (OSHA) guidelines. Customers in the industry are forced to make custom guards that are not cost-effective. Dodge manufacturing produces a consistent guard that can be used in any industry. This saves customers time and money and helps ensure safe operations.



Easy to Install

The guard is easy to install and fills a need in the market. Simply install the adapter, cut the sleeve to length, adjust for final length of the adapter, and bolt them together. The ease of installation gives customers an easy onsite option and solution for their applications.

Simple Modifications

The shaft extension allows the customer to easily identify where to trim for their specific application. Modifications can be made with basic hand tools and no special equipment required. The shaft extension has one-inch markings and the adapter allows for $\frac{1}{4}$ " final adjustment. This enables the customer to customize the length of the shaft guard to their specific requirements.

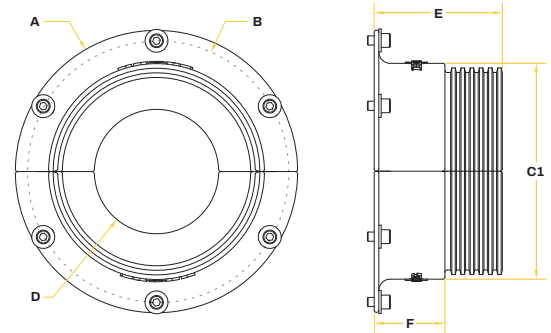
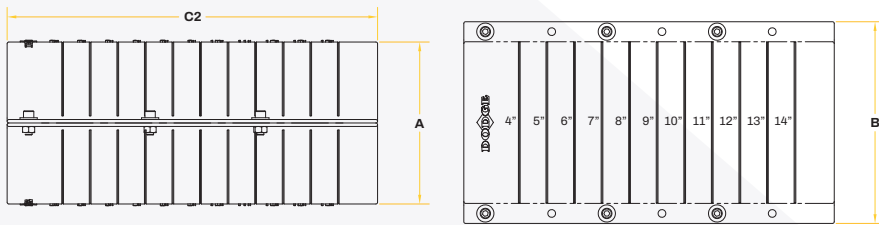
Dimensions - inches

Guard

Size	Part Number	A	B	C2	D	C2 + F
		Ext. OD	Ext. width	Ext. length	Barrier ID	assembly length
0	020568	3.63	5.32	7.19	1.84	8.81
1	020569	4.13	5.82	7.50	2.13	9.22
2	020570	4.75	6.44	10.94	2.91	12.82
3	020571	5.25	6.94	11.88	3.01	13.77
4	020572	5.88	7.57	13.44	3.38	15.37
5	020573	6.75	8.69	15.94	3.90	18.24
6	020574	6.88	8.82	17.19	4.34	19.52
7	020575	8.13	10.07	22.19	5.03	24.76
8	020576	8.38	10.32	22.19	5.03	24.76
9	020577	9.63	11.57	24.69	5.87	27.53
10	020578	10.63	12.95	30.00	6.84	32.88
12	020579	11.88	14.20	35.00	7.79	37.91

Adapter

Size	Part number	A	B	C1	D	E	F
		Flange OD	# of holes	Bolt pattern	Adapter OD	Barrier ID	Overall length
0	020544	4.94	4	4.38	3.63	1.84	2.94
1	020545	5.44	4	4.88	4.13	2.13	3.04
2	020546	6.31	6	5.75	4.75	2.91	3.19
3	020547	6.94	6	6.38	5.25	3.01	3.20
4	020548	7.68	6	7.12	5.88	3.38	3.49
5	020549	8.81	6	8.25	6.75	3.90	4.36
6	020550	8.81	6	8.25	6.88	4.34	4.39
7	020551	10.31	6	9.75	8.13	5.03	4.88
8	020552	10.56	6	10.00	8.38	5.03	4.88
9	020553	10.94	6	10.38	9.63	5.87	5.40
10	020554	12.06	6	11.50	10.63	6.84	5.44
12	020555	13.44	6	12.88	11.88	7.79	5.47



Part Numbers

Shaft Guard Kits¹

REDUCER SIZE	PART NUMBER	DESCRIPTION	WEIGHT
TA0107	TAShaftGuard-00	TA0107 shaft guard	5
TA1107	TAShaftGuard-01	TA1107 shaft guard	5
TA2115	TAShaftGuard-02	TA2115 shaft guard	7
TA3203	TAShaftGuard-03	TA3203 shaft guard	7
TA4207	TAShaftGuard-04	TA4207 shaft guard	7
TA5215	TAShaftGuard-05	TA5215 shaft guard	7
TA6307	TAShaftGuard-06	TA6307 shaft guard	9
TA7315	TAShaftGuard-07	TA7315 shaft guard	9
TA8407	TAShaftGuard-08	TA8407 shaft guard	11
TA9415	TAShaftGuard-09	TA9415 shaft guard	11
TA10507	TAShaftGuard-10	TA10507 shaft guard	13
TA12608	TAShaftGuard-12	TA12608 shaft guard	13

¹Kits include adapter and extension for that size reducer

Individual Shaft Guard Kits²

REDUCER SIZE	PART NUMBER	DESCRIPTION	WEIGHT
TA0107	020544	TA0107 Guard Adapter	2
TA0107	020568	TA0107 Guard Extension	3
TA1107	020545	TA1107 Guard Adapter	2
TA1107	020569	TA1107 Guard Extension	3
TA2115	020546	TA2115 Guard Adapter	3
TA2115	020570	TA2115 Guard Extension	4
TA3203	020547	TA3203 Guard Adapter	3
TA3203	020571	TA3203 Guard Extension	4
TA4207	020548	TA4207 Guard Adapter	3
TA4207	020572	TA4207 Guard Extension	4
TA5215	020549	TA5215 Guard Adapter	3
TA5215	020573	TA5215 Guard Extension	4
TA6307	020550	TA6307 Guard Adapter	4
TA6307	020574	TA6307 Guard Extension	5
TA7315	020551	TA7315 Guard Adapter	4
TA7315	020575	TA7315 Guard Extension	5
TA8407	020552	TA8407 Guard Adapter	5
TA8407	020576	TA8407 Guard Extension	6
TA9415	020553	TA9415 Guard Adapter	5
TA9415	020577	TA9415 Guard Extension	6
TA10507	020554	TA10507 Guard Adapter	6
TA10507	020578	TA10507 Guard Extension	7
TA12608	020555	TA12608 Guard Adapter	6
TA12608	020579	TA12608 Guard Extension	7

²To guard entire shaft, one adapter and one extension are required