



MECHANICAL POWER TRANSMISSION

Tigear[®]-2 gearing

Engineering catalog



To receive a copy of the Dodge® Tigear®-2 Catalog, Dodge® Bearing Engineering Catalog, Dodge Gearing Engineering Catalog, Dodge Power Transmission Components Engineering Catalog, or Dodge product manuals, contact your local authorized Dodge distributor or www.dodgeindustrial.com.

Member of...



Member of...



DODGE products are manufactured in ISO 9001 Certified plants

Prices and data indicated in this document are for your convenience and were correct at time of printing with the exception of clerical and/or printing errors. Possession of this document by any person or company is not to be construed as an offer to sell to him or to anyone else the goods listed herein at the prices stated.

All data and prices are subject to change without notice and shall be subject to those prices in effect at time of shipments. All published and quoted prices are based upon the application of, and all sales are expressly subject to, the Company's Standard Terms and Conditions of Sales are available upon request. This document supersedes all previously published catalog/pricing documents.

Warning

The information provided for Product Interchange in this catalog is for use only as a general reference by persons qualified to recognize unreasonable selection options. Products suggested as substitutes may have dimensional, rating, pricing and other differences from products to be replaced. This selection method must be used in conjunction with the applicable product catalog which contains important precautions and other pertinent information.

In illustrations throughout this catalog, safety guards have been removed for photographic purposes.

Warning: Because of the possible danger to person(s) or property from accidents which may result from the improper use of products, it is important that correct procedures be followed: Products must be used in accordance with the engineering information specified in the catalog. Proper installation, maintenance and operation procedures must be observed. The instructions in the instruction manuals must be followed. Inspections should be made as necessary to assure safe operation under prevailing conditions. Proper guards and other suitable safety devices or procedures as may be described or as may be specified in safety codes should be provided, and are neither provided by Dodge Industrial nor are the responsibility of Dodge Industrial. This unit and its associated equipment must be installed, adjusted and maintained by qualified personnel who are familiar with the construction and operation of all equipment in the system and the potential hazards involved. When risk to persons or property may be involved, a holding device must be an integral part of the driven equipment beyond the speed reducer output shaft.

Tigear® -2 speed reducers

Table of contents

1	Tigear-2 speed reducers
3	Features and benefits
6	Washdown
8	Sealing system
8	Ratio multiplier
9	General specification
10	How to order
10	Nomenclature
11	Special options
11	Modifications
12	Shipping weights
12	Nameplate layout
13	Mounting positions
14	Selection procedures
14	Overhung load
15	Thermal rating
15	Horsepower method of selection
15	Torque method of selection
16	Selection tables by horsepower and service factor
20	Ratings and dimensions
20	Size 13
26	Size 15
32	Size 17
38	Size 176
40	Size 20
46	Size 202
48	Size 21B
54	Size 23
60	Size 232
62	Size 26
68	Size 30
74	Size 32
80	Size 35
86	Size 38
92	Size 40
98	Size 47
104	Washdown products
104	E-Z Kleen®
104	Size 13
106	Size 15
108	Size 17
110	Size 20
112	Size 23
114	Size 26
116	Size 30
118	Size 32
120	Size 35
122	Food Safe
124	Size 17
126	Size 20
128	Size 23
130	Size 26
132	Size 30
134	Washdown product dimensions
134	Tigear-2 Food Safe reducers with quill input
136	Tigear-2 Food Safe reducers with 3-piece coupled input
138	Metric reducers – Ratings and dimensions
138	Size 17
142	Size 20
146	Size 23
150	Size 26

Table of contents

154	Ratio multiplier
154	Quick selections: Ratio multiplier and Tigear-2 assemblies
156	Ratio multiplier dimensions:
156	Size 1 & 2 Ratio multiplier
157	Accessories
157	Tigear-2 Motor adapter kit
158	Tigear-2 Bolt-on base kits
159	Tigear-2 J-mount base kits
160	Tigear-2 Riser block kits
161	Tigear-2 Torque-Arm kits
162	Tigear-2 Tie rod kits
163	Tigear-2 Output flange kits
163	Cast output flange kits
164	Stainless steel output flange kits
165	Tigear-2 Hollow reducer bushing kits
167	Tigear-2 Hollow reducer with alternative maximum bore
169	Tigear-2 tapered bushing dimensions
169	Single bushing with key
171	Double bushing with key
172	Double bushing without key
173	Output bracket kit
174	Plug-in output shaft kit
175	Transition base kits for downsizing
176	XL Right angle conversion base
177	Lubrication
177	Low temperature lubricant
177	Output shaft reversal kits
178	Hollow output safety covers
179	Competitor interchange
180	Boston
191	Grove
209	Morse
229	Renewal parts
229	Quick pick service kits
231	Seal kits
235	Bearing kits
235	Shim kits
236	Tigear-2 – Quill adapter replacements
237	Tigear-2 – Quill input / solid output
237	Sizes 13 - 26
239	Sizes 30 - 47
241	Tigear-2 – Quill input / hollow output
241	Sizes 13 - 26
243	Sizes 30 - 47
245	Tigear-2 – Separate input / solid output
245	Sizes 13 - 26
246	Sizes 30 - 47
247	Tigear-2 – Separate input / hollow output
247	Sizes 13 - 26
248	Sizes 30 - 47
249	Tigear-2 – 3-piece coupled input / solid output
249	Sizes 13 - 26
251	Sizes 30-47
253	Tigear-2 – 3-piece coupled input / hollow output
253	Sizes 13 - 26
255	Sizes 30-47
257	Part number index

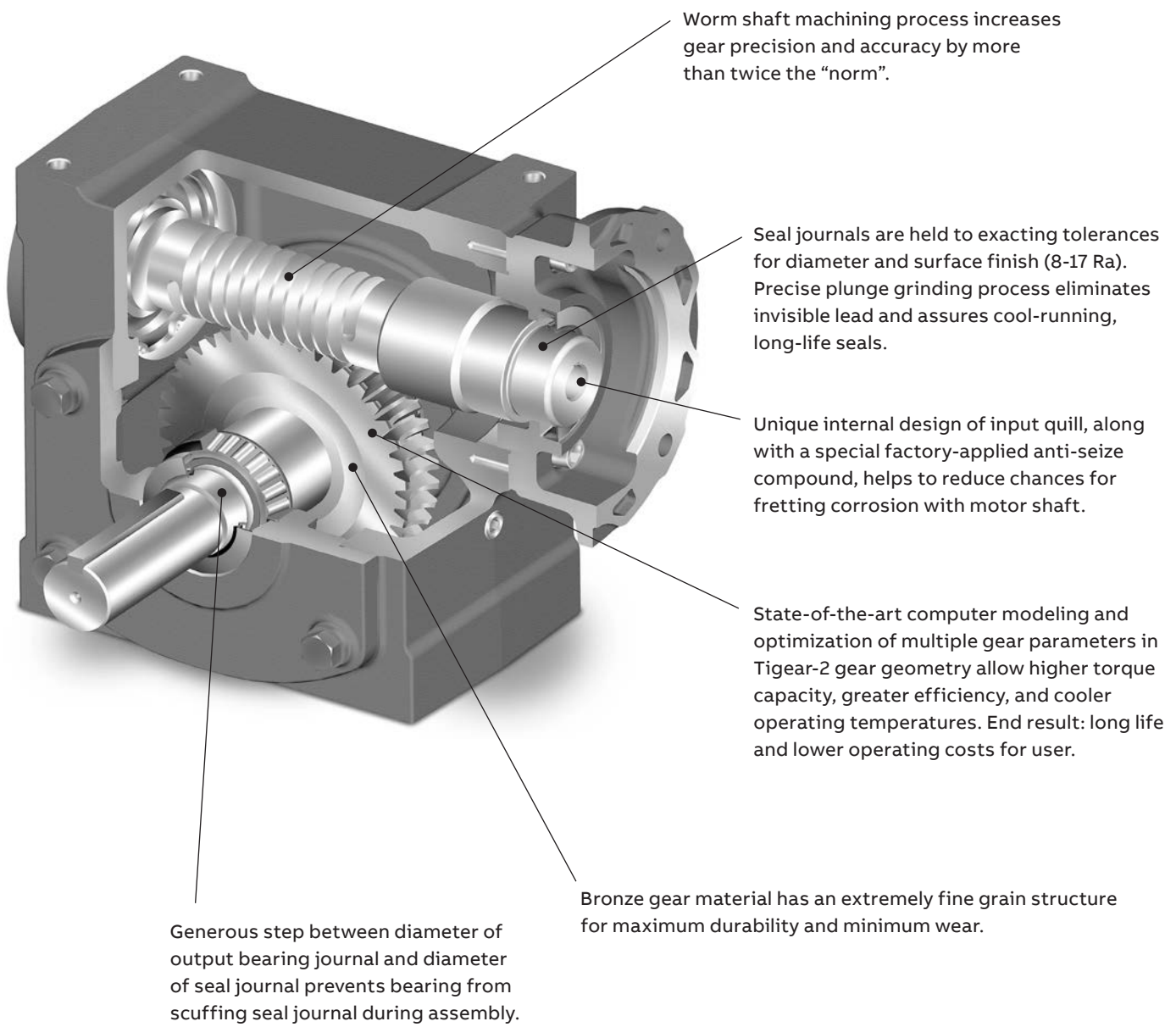
Features and benefits

Tigear®-2 speed reducers

- 12 case sizes
- 1.33" to 4.75" center distances
- 5:1 to 60:1 reductions
- Quill input
- Separate input
- 3-piece coupled input
- Solid output
- Hollow output

On average, Tigear-2 delivers more torque than competitive, same-sized models. This permits downsizing and helps reduce total cost of ownership.

Tigear-2 reducers share the same footprint and most critical mounting dimensions with original Tigear and many competitive models.



Worm shaft machining process increases gear precision and accuracy by more than twice the "norm".

Seal journals are held to exacting tolerances for diameter and surface finish (8-17 Ra). Precise plunge grinding process eliminates invisible lead and assures cool-running, long-life seals.

Unique internal design of input quill, along with a special factory-applied anti-seize compound, helps to reduce chances for fretting corrosion with motor shaft.

State-of-the-art computer modeling and optimization of multiple gear parameters in Tigear-2 gear geometry allow higher torque capacity, greater efficiency, and cooler operating temperatures. End result: long life and lower operating costs for user.

Generous step between diameter of output bearing journal and diameter of seal journal prevents bearing from scuffing seal journal during assembly.

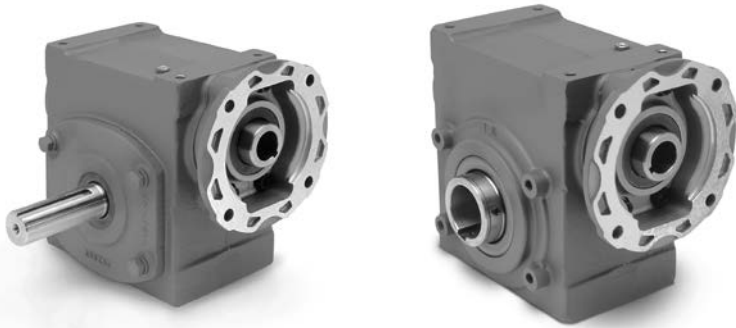
Bronze gear material has an extremely fine grain structure for maximum durability and minimum wear.

Features and benefits

Tigear®-2 speed reducers

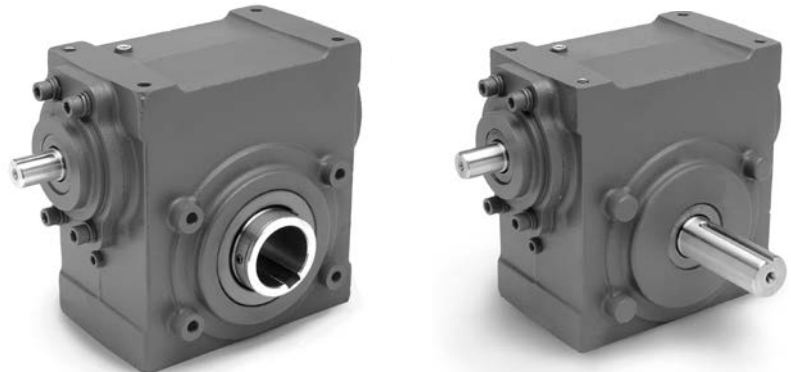
Configuration options

The advanced design concept of the Tigear®-2 reducer product line provides extreme flexibility for applications that require from 100 to more than 6,800 lb.-in of torque. Whether the application requires the compactness of a quill-style input, the durability of a 3-piece coupled input, or a separate keyed input shaft for belt-driven equipment, Tigear-2 is the answer. With four basic reducer configurations that are dimensionally interchangeable with most competitive brands and stock bolt-on accessories, the Tigear-2 reducer line is truly a complete line that is full of value.



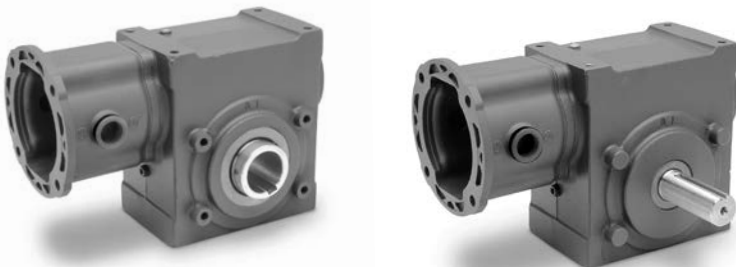
Quill input

Space-saving quill-style input reducers for NEMA C-face motors are in both solid and hollow output designs.



Separate input

Separate style input reducers with solid or hollow output shafts are suitable for either belted or direct-coupled motor connections.



3-Piece coupled input

Attaching a stock, 3-piece coupled motor adapter kit to a separate style reducer creates a durable drive package that facilitates easy motor removal and provides protection against shock loads and other unpredictable vibrations.

Features and benefits

Tigear®-2 speed reducers

Tigear®-2 sealing system

The totally enclosed, ventless sealing system operates effectively with no pressure vent, no compression chamber. Tigear-2 contains a factory-filled synthetic lubricant that runs cooler, as well as eliminates the need for routine oil changes. All reducers are filled with the proper amount of lubricant for any approved mounting position. Simply install it, then forget it.

Special hydrodynamic wave seal design

The special wave shape (molded into the seal lip) generates a better hydrodynamic film, which is required between the seal and the shaft for long life. This special wave design generates less drag, less heat, and virtually eliminates shaft grooving created by the single-point wear track, which is common with conventional trimmed lip seal designs. The sinusoidal lip of the wave seal effectively pushes external contaminants away and pumps lubricant back into the oil sump.

Special lip construction

Optimized lip-to-shaft contact pressures ensure maximum life. In addition, special sealing elements operate under pressure without detrimental effect on service life or sealing performance.

Factory-filled synthetic lubricant

The standard synthetic lubricant used in Tigear-2 meets H1 food grade requirements and accommodates a wide range of operating temperatures. In extensive laboratory tests, it lowered operating temperatures by 20°F over other popular synthetics. No routine scheduled oil changes are required.

Grip Tight™ tapered adapter bushing system eliminates hop and wobble.



Locking system

The Tigear-2 reducer's Grip Tight tapered bushing system uses concepts that have proven to be effective in the locking mechanism of the Dodge® Grip Tight bearing to simplify installation and removal as well as prevent fretting corrosion problems. There are no loose fasteners to misplace during installation, and the locking nut creates a positive means for easy removal.

Minimum shaft length

The system's tapered bushings allow for mounting in some of the tightest places on almost any size shaft. (Driven shafts need not protrude completely through the reducer bore.)

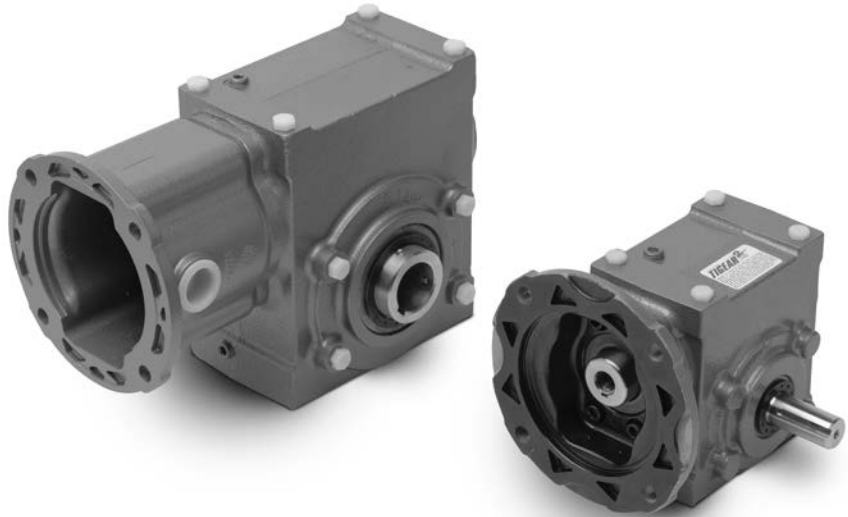
Bushing options

When used in pairs, the tapered bushings can be used without output keys. Corrosion resistant options are available for severe washdown applications.

Tigear®-2 washdown reducers

Tigear-2 E-Z Kleen® reducers

Tigear-2 E-Z Kleen reducers offer superior corrosion resistance and sealing to meet the harsh washdown applications associated with the food and beverage industry.



Standard features include:

- IP69 certified for protection against liquid ingress
- Tough 3 layer coating system
- Stainless color top coat – White finish also available
- Offered in sizes 13 through 35 with quill and 3-piece coupled inputs.
- Available in solid and hollow output shafts.
- 300 series stainless steel solid and hollow output shafts and stainless hardware
- Two-piece harsh duty output seals
- Factory filled with H1 food grade synthetic lubrication
- Dimensionally interchangeable with most competitive brands

Availability:

- Wide selection of units available from stock.
- Same day air shipment offered on most sizes if order received by noon EST, or next business day air if order received after noon EST.

Washdown accessories include:

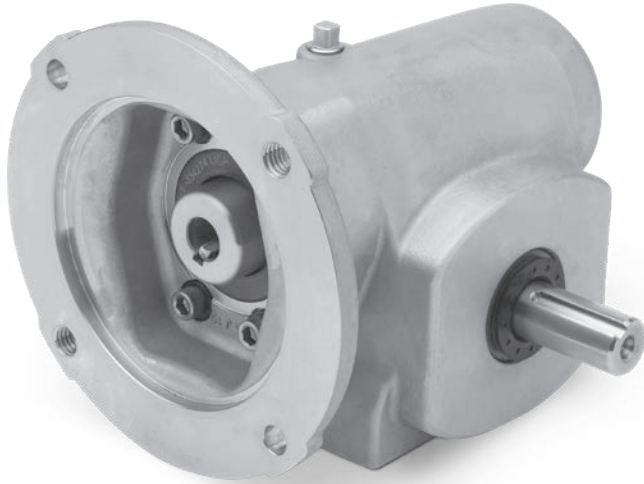
- Stainless steel straight bore bushings
- Stainless steel Grip Tight bushings
- E-Z Kleen bolt-on base kit
- E-Z Kleen riser block kit
- E-Z Kleen J-mount kit
- E-Z Kleen output flange kit
- E-Z Kleen torque arm kit
- E-Z Kleen output bracket



Tigear-2 washdown reducers feature the industry's **only** 1 year warranty against water ingress.

Tigear®-2 washdown reducers

Tigear-2 Dodge Food Safe stainless steel reducers



Tigear-2 washdown reducers feature the industry's **only** 1 year warranty against water ingress.

Food Safe stainless steel reducers are the best choice for ultimate washdown protection or where “paint free” specification is required.

Standard features include:

- IP69 certified for protection against liquid ingress.
- New rounded housing design prevents accumulation of material or liquid
- 300 series stainless steel housings with laser marked nameplate
- Offered in sizes 17 through 30 with quill and 3-piece coupled inputs
- 300 series stainless steel solid and hollow output shafts and stainless hardware
- Two-piece harsh duty output seals
- Factory filled with H1 food grade synthetic lubrication
- Tapered roller bearings on output shaft
- Critical mounting dimensions are the same as standard Tigear-2 reducers.
- Dimensionally interchangeable with most competitive brands.

Availability:

- Wide selection of units available to ship from stock.
- 24 hour shipment available upon request.

Washdown accessories include:

- Stainless steel straight bore bushings
- Stainless steel Grip Tight bushings
- Stainless steel bolt-on base kit
- Stainless steel output flange kit
- Stainless steel torque arm kit

IP69 Rated

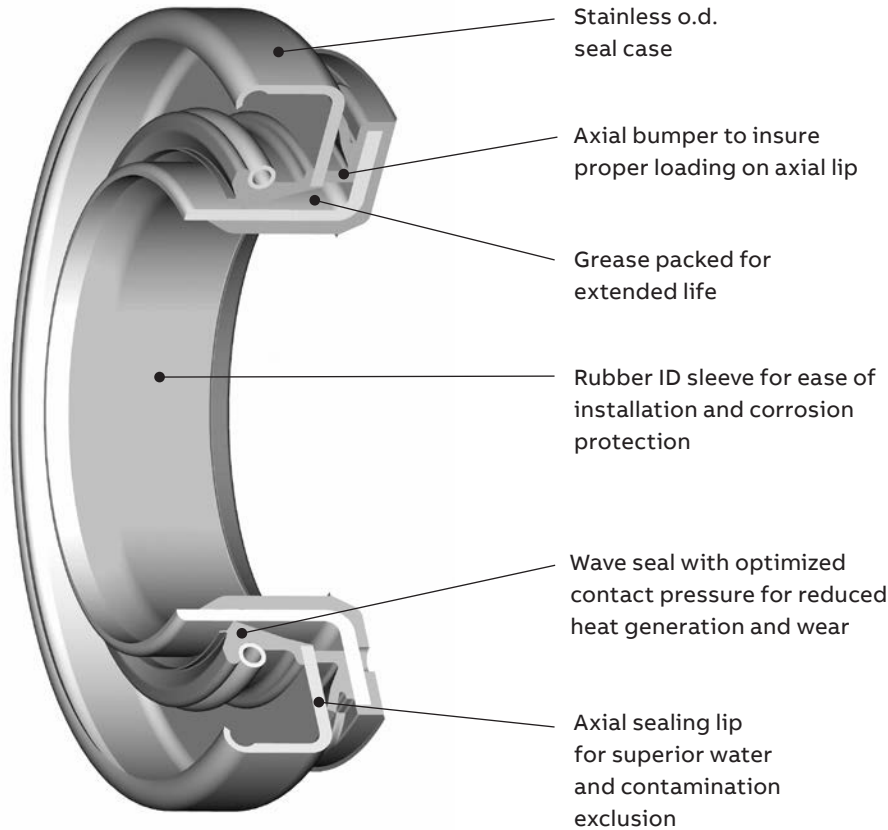


1450 PSI spray test

IP69 is a standardized, very high pressure, high temperature water spray test.

Tigear®-2 washdown reducers

Sealing system



Test proven to withstand 1,450 PSI water sprays

Ratio multiplier

A double NEMA 56 and 140 C-face helical gear attachment is available for Tigear-2 reducers, providing gear ratios from 75:1 to 300:1.

The ratio multiplier has a quill input coupling for quick and easy motor attachment. It easily attaches to a Tigear-2 reducer with 56C or 140TC quill or 3-piece coupled input.

- Available with NEMA 56 and 140 C-face input and output
- Available in 2:1, 3:1, 4:1, and 5:1 ratios
- Factory filled with H1 with food grade synthetic lubricant
- Lubed for life
- No breather
- Suitable for all mounting positions right out of the box
- Cast iron construction
- Available in E-Z Kleen washdown protection

With the ratio multiplier, customers can now take advantage of all the Tigear-2 features with available ratios up to 300:1.



General specification

Dodge® Tigear®-2 speed reducers

The speed reducer shall be a single reduction worm gear reducer incorporating three input configurations - a quill style for direct attachment of electric motors, a separate keyed input shaft suitable for flexible coupling to a footed motor or belt and pulley input configuration and a motor adapter style input that employs a three piece coupling to connect electric motors to the reducer. These input configurations shall be available in both solid and hollow output shaft designs. The reducer shall be manufactured in the United States of America.

Gearing

Worm gear geometry shall be highly optimized for rating and efficiency and precision manufactured with a single enveloping design.

The gear set shall consist of a hardened steel worm shaft. The worm gear shall be a fine grain, copper-tin bronze-specially alloyed for superior durability and wear resistance. All units shall have the worm gear set properly centered during assembly to produce an optimum contact pattern.

Gear design and power transmission ratings conform to globally accepted rating standards.

Castings

The gear case and bearing housing shall be manufactured from Class 30 gray iron. The optional bolt-on base, motor flange and other accessories shall be available in either cast iron, aluminum or steel.

A riser block kit, designed for mounting to the top surface, shall be available to provide a method for avoiding a mounting arrangement that would position the input shaft below the level of the output shaft.

The reducer shall be sealed with no direct passage from the oil sump to the ambient atmosphere – (a closed system). This ventless design ensures no contamination of lubricant from external environment.

Lubrication

The standard lubrication shall be a synthetic type that is suitable for USDA Class H1 environments. The manufacturer must state in writing that the lubrication shall require no periodic changing. Alternate synthetic lubricants made from the same base material as the standard shall be available to accommodate extreme temperature applications.

All reducers shall be factory filled by the manufacturer with the proper volume of synthetic lubricant so that the reducer can be applied in any approved mounting position without any modifications to the reducer.

Bearings

Output shafts shall incorporate tapered roller bearings shimmed for proper running clearances and be designed for maximizing over hung load rating.

Sealing

Oil seals shall be made of premium materials and shall operate on plunge ground seal journals having an 8-17 Ra, 65-115 Rz micro finish. Seals made using Nitrile or Fluoroelastomer materials are not acceptable.

Oil seals shall have a minimum temperature range of -40° to 300°F. (-40° to 149°C).

All sealing-joints, except fill plug, shall be o-rings. Reducers shall incorporate no silicone rubber sealant of any kind.

Hardware

All fasteners shall be minimum Grade 5 and have locking provisions. Motor mounting bolts and input/output keys shall be provided.

External conditions

When properly service factored to account for the thermal limitations of the reducer, the standard construction shall be suitable for use in ambient temperatures from 0°F to 120°F.

The thermal ratings listed on ratings pages are based on the gear unit continuously operating in an ambient temperature of 75°F. For the ambient condition above 75°F, the derating factor needs to be applied to the thermal rating, or contact Dodge application engineering.

When used without the optional aluminum bolt-on foot the reducer shall be BISSC certified.

Washdown operating environments shall be addressed with a special coated gear case incorporating stainless steel hardware and stainless steel output shaft.

Severe washdown operating environments shall be addressed with a stainless steel gear case incorporating stainless steel hardware and stainless steel output shaft.

How to order

Tigear®-2 speed reducers

All Tigear-2 reducers and accessories have a part number. Reducer part numbers are found in the ratings/dimensions tables and accessories are listed in the accessories section. When placing an order specify the reducer part number and part number(s) of selected accessories.

Part number example:

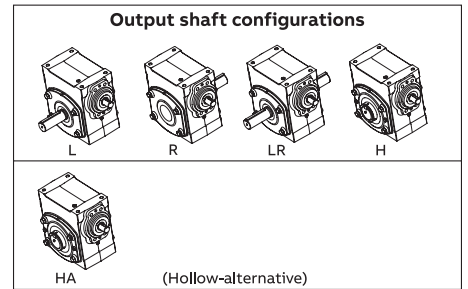
30Q15L14 Size-30, quill input, 15:1 ratio, left hand output, 140TC input

30BASE Size-30 bolt-on base kit

Reducer nomenclature

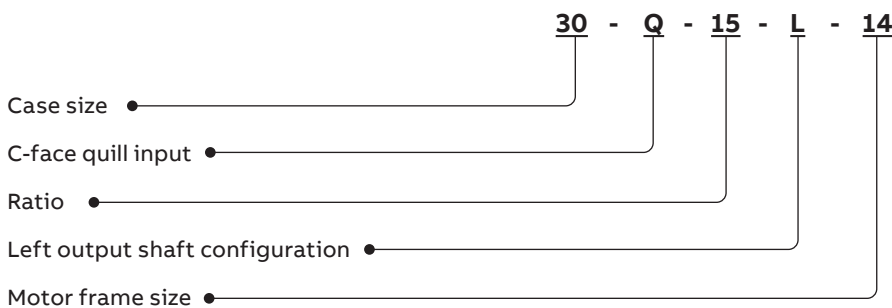
Stainless steel option	Size	Input style	Washdown option	Ratio	Output	Motor frame	Special options
SS	13 = 1.33 c.d.	Q Quill	Z E-Z Kleen®	05	L	56 = 56C	* Refer to page 11 for full list and details
	15 = 1.50 c.d.	S Separate		07	R	14 = 140TC	
	17 = 1.75 c.d.	A 3-Piece coupled		10	LR	18 = 180TC	
	20 = 2.00 c.d.			12	H	21 = 210TC	
	21B = 2.00 c.d. (1)			15	HA	25 = 250TC	
	23 = 2.31 c.d.			18			
	26 = 2.62 c.d.			20			
	30 = 3.00 c.d.			25			
	32 = 3.00 c.d. (2)			30			
	35 = 3.50 c.d.			40			
	38 = 3.50 c.d. (3)			50			
	40 = 4.00 c.d.			60			
	47 = 4.75 c.d.						

- (1) non-standard mounting bolt pattern
- (2) same mounting and output shaft dimensions as some reducers with 3.25-inch center distance
- (3) same mounting and output shaft dimensions as some reducers with 3.75-inch center distance



Nomenclature

Part number example



Special options

Tigear®-2 speed reducers

Modifications

Tigear-2 modifications provide common options for the Tigear-2 product line. All options are performed at the factory but standard delivery time may be increased if engineering time and/or parts are required to be outsourced for the modification. All modified units will be assigned a unique part number. Net price adders for most modifications can be found at the end of the Tigear-2 section in the 9AKK107628 MLP catalog. For pricing not listed, contact Dodge®.

Modification	Part number suffix	Notes
Special output bore diameter	BDyxx	See Note 1
Flanged housing	FH	Solid shaft housing drilled and tapped for output accessories
Harsh duty output seals	HD	Option available only on standard reducers
Special input shaft diameter	IDyxx	Option only available on Separate reducers. See Note 1 and Note 2.
Special input shaft length	ILyxx	Option only available on Separate reducers. See Note 1 and Note 2.
Low temperature lubricant	LT	Suitable for ≥30 deg F temperature range.
No lube	NL	Reducer shipped without oil
Special sealed input bearing	SB	For vertically mounted 3-piece coupled input reducers. Bearing is changed from open to sealed.
Stainless steel hardware	SH	Option available only on standard units
Stainless epoxy paint	SP	Option available only on standard units. See Note 2.
Special output shaft length	SLyxx	See Note 1.
Special output shaft diameter	SDyxx	See Note 1.
White epoxy paint	WP	See Note 2.

Note 1 - Dodge approval required y = the whole number of inches required.

Note 2 - Not available on Food Safe reducers xx = the number of sixteenths. (Example: for 1.5", yxx = 108; for 2-15/16" yxx = 215; etc.)

For metric dimensions, annotate yxx in the closest inch dimension and add metric dimension to note on order.

Shipping weights

Tigear®-2 reducers

Tigear-2 – Shipping weights – approximate

Standard and E-Z Kleen®

Input style	Motor frame	Reducer case size											
		13	15	17	20/21B	23	26	30	32	35	38	40	47
Quill and Separate	56/140	17	20	26	31	45	51	81	85	100	109	160	–
	180/210	–	–	–	–	47	53	86	90	102	111	160	245
Separate	250	–	–	–	–	–	–	–	–	–	–	160	245


Input style	Motor frame	Reducer case size											
		13	15	17	20	23	26	30	32	35	38	40	47
3-Piece Coupled	56/140	18	22	29	34	50	57	91	95	113	122	166	–
	180/210	–	–	–	–	53	60	108	112	120	129	166	251
	250	–	–	–	–	–	–	–	–	–	–	166	251

Food Safe

Input style	Motor frame	Reducer case size											
		17	20	23	26	30	–	–	–	–	–	–	–
Quill	56/140	28	38	50	65	79	–	–	–	–	–	–	–
	180	–	–	50	65	79	–	–	–	–	–	–	–

Input style	Motor frame	Reducer case size											
		17	20	23	26	30	–	–	–	–	–	–	–
3-Piece Coupled	56/140	32	42	58	69	83	–	–	–	–	–	–	–
	180	–	–	58	69	83	–	–	–	–	–	–	–

Tigear-2 – Nameplate layout



Area for SN bar code

SERIAL # BT132902694

PART # 17Q05L56 RATIO 5:1

MAX TORQUE OUT (LIB-IN) 430 MAX HP IN 2.59

Mechanical Rating @ 1750 RPM and 1.0S.F

Area for UPC bar code

To determine manufacture's date code refer to serial #

BT = Belton plant

13 = Year (2013)

29 = week

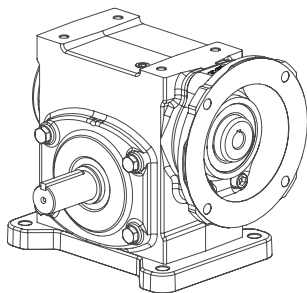
Last (5) numbers are for internal use

Mounting Positions

Tigear®-2 reducers

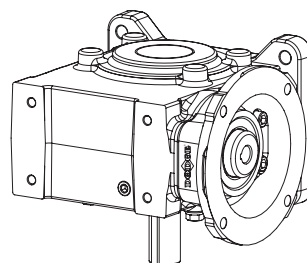
Tigear-2 reducers are supplied with a high performance lubricant factory filled to a level suitable for all approved mounting positions. There are however, positions that can cause problems in certain applications. Mounting position nomenclature is **not** required when ordering. Mounting positions apply to all input and output configurations.

**Floor mounted,
Motor adapter or
input shaft above
the output shaft**



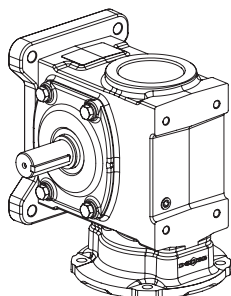
**Wall mounted,
Output shaft
down**

Use adaptable style input for continuous duty applications. Quill style input approved for intermittent-duty use only.



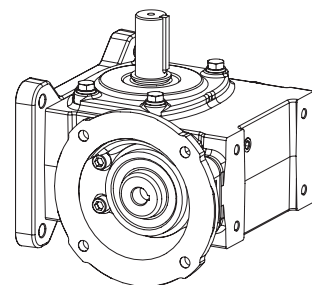
**Wall mounted,
Motor adapter or
input shaft facing
down**

Approved for intermittent-duty use only. Not recommended for continuous operation. Contact Dodge® Engineering for additional information.

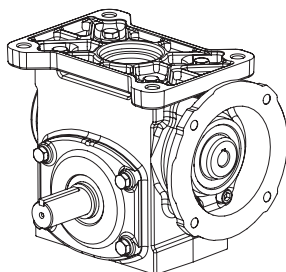


**Wall mounted,
Output shaft up**

Use adaptable style input for continuous duty applications. Quill style input approved for intermittent-duty use only.

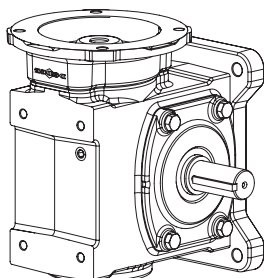


**Ceiling mounted,
Motor, motor
adapter or input
shaft above the
output shaft**



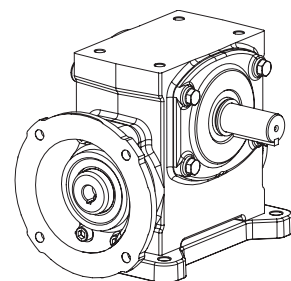
**Wall mounted,
Motor adapter or
input shaft facing
up**

3-piece coupled input units require a special sealed input bearing. (Refer to page 11 for additional information.)



**Floor or ceiling
mounted,
Motor adapter or
input shaft below
output shaft**

Approved for intermittent-duty use only. Not recommended for continuous operation. Contact Dodge® Engineering for additional information.



Selection procedures

Tigear®-2 speed reducers

Selection using rating tables

Because the efficiency of worm gear speed reducers varies from approximately 60 to 95%, it is important to consider the horsepower/torque conditions at both input and output in a given application. In a situation where motor horsepower is known (e.g., competitive interchange or when a particular motor is available), selection can be done based on input ratings. Where a gearbox is being selected by a designer who knows driven equipment loads, the reducer is selected from the output torque capacity.

Note: Although many customers successfully use quill style reducers for the applications listed below, we strongly recommend using 3-piece coupled reducers. This will minimize any unusual noise conditions or aggravated wear in the input quill, which makes motor removal difficult.

- Reversing applications
- Use of single phase motors
- Frequent starts and stops, more than 10 per hour
- Brakemotor applications
- Variable speed motors
- Clutch/brake units always require 3-piece coupled reducers

All Tigear®-2 selections and ratings are based on an input speed of 1750 RPM. Maximum input speed for quill style input units should not exceed 1800 RPM. For separate and 3-piece coupled style input, maximum input speed should not exceed 2000 RPM.

Reducer service factors

Prime mover	Duration of service per day	Driven machine load classification		
		Uniform	Medium shock	Heavy shock
Electric motor	Occasional 1/2 hour	Note (1)	Note (1)	1.00
	Less than 3 hours	1.00	1.00	1.25
	3 - 10 hours	1.00	1.25	1.50
	Over 10 hours	1.25	1.50	1.75
Electric motor with up to 10 starts and stops per hour	Occasional 1/2 hour	Note (1)	1.00	1.25
	Less than 3 hours	1.00	1.25	1.50
	3 - 10 hours	1.25	1.50	1.75
	Over 10 hours	1.50	1.75	2.00

- (1) Unspecified service factors should be 1.00 or as agreed upon by user and manufacturer.
- (2) Frequent start and stop applications, more than 10 starts and stops per hour, require special consideration in selecting a service factor. Contact Dodge® application engineering for proper selection of Tigear-2 reducers. The brake torque should be limited to two times the normal operating motor torque.

Overhung load

To determine overhung load, divide the torque required by the pitch radius of the sprocket, sheave, etc. and multiply by the appropriate factor as follows:

Chain drive	1.00
Synchronous belt drive	1.30
Spur or helical gear	1.25
V-belt	1.50
Flat belt	2.50

The calculated overhung load must not exceed the output overhung load rating.

For loads acting at more than one shaft diameter from the seal face use the following conversion factors:

Distance in shaft diameters from output seal face	Multiply overhung load capacity by this factor
1D	1.00
2D	0.62
3D	0.42
4D	0.32
5D	0.26

Selection procedures

Tigear® -2 speed reducers

Thermal rating

The thermal ratings listed on selection pages are based on the gear unit continuously operating in an ambient temperature of 75°F. For the ambient condition above 75°F, the derating factor needs to be applied to the thermal rating, or contact Dodge application engineering.

Caution: Always refer to the installation, operation and maintenance manual before operating the reducer.

Ambient temp, degree F	Derating factor
75	1.00
90	.87
100	.79
110	.71
120	.62

Horsepower method of selection

Step 1: Determine service factor – Referring to the reducer service factor table, determine the appropriate service factor.

Step 2: Determine equivalent horsepower – Multiply the motor horsepower by the service factor obtained in step 1.

Step 3: Calculate required ratio – Divide the motor shaft RPM by the reducer output shaft RPM.

Step 4: Determine unit size – Refer to the rating tables and read across from ratio row and down from motor horsepower column to select a unit whose mechanical input horsepower rating meets or exceeds the equivalent horsepower.

Step 5: Check thermal rating – Compare the thermal input horsepower rating of the reducer selected to the motor horsepower. Thermal rating should always equal or exceed applied motor horsepower. For continuous duty operation in ambient temperature above 75°F derate the thermal rating per table above or contact Dodge engineering. Contact Dodge® engineering for use with non-ventilated motors.

Torque method of selection

Step 1: Determine service factor – Referring to the reducer service factor table, determine the appropriate service factor.

Step 2: Determine equivalent torque – Multiply the torque required to drive the load at the output of the reducer by the service factor obtained in step 1. (If drive components, e.g, chain or belt drives are used between reducer and driven equipment be sure to account for them when calculating output torque at the reducer.)

Step 3: Calculate required ratio – Divide the motor shaft RPM by the reducer output shaft RPM.

Step 4: Determine unit size – Refer to the rating tables and read across from ratio row and down from motor horsepower column to select a unit whose mechanical output torque rating meets or exceeds the equivalent torque.

Step 5: Determine required motor horsepower – First, calculate the output horsepower using the following equation where output torque is the torque required to drive the load at the output of the reducer.

$$\text{Output Hp} = \frac{\text{Output speed} \times \text{Output torque}}{63025}$$

Then calculate the required motor horsepower using the following equation to account for reducer efficiency:

$$\text{Required motor horsepower} = \frac{\text{Output Hp} \times \text{Rated input Hp of reducer}}{\text{Rated output Hp of reducer}}$$

Step 6: Select motor Hp – From available motors, select a horsepower that is equal to or greater than the value from Step 5. When the nearest motor horsepower is greater, check service factor at input by dividing rated input of reducer horsepower by actual motor horsepower. If the service factor is less than the value from step 1, a larger reducer may be required.

Step 7: Check thermal rating – Compare the thermal input horsepower rating of the reducer selected to the motor horsepower. Thermal rating should always equal or exceed applied motor horsepower. For continuous duty operation in ambient temperature above 75°F derate the thermal rating per table above or contact Dodge engineering.

Contact Dodge engineering for use with non-ventilated motors.

Tigear®-2 selection tables

By horsepower and service factor

1.00 reducer service factor

1750 RPM input

Output RPM	Ratio		Motor horsepower												
			0.25	0.33	0.50	0.75	1.00	1.50	2.00	3.00	5.00	7.50	10.00	15.00	20.00
350	5	Size	13	13	13	13	13	15	17	20	23	30	30	35	40
		Torque	42	55	83	125	166	250	332	502	840	1279	1706	2563	3408
		OHL	650	650	650	650	650	710	1050	1380	1330	1330	1330	2120	2860
233	7.5	Size	13	13	13	13	13	17	17	23	26	30	35	40	47
		Torque	60	79	120	180	240	364	485	736	1231	1863	2495	3727	4969
		OHL	650	650	650	650	650	1190	1190	1520	1520	1540	2430	3280	5600
175	10	Size	13	13	13	13	15	17	20	23	30	35	35	47	
		Torque	80	105	160	240	321	480	644	972	1650	2498	3331	4973	
		OHL	650	650	650	650	710	1190	1560	1610	1720	2700	2700	5600	
117	15	Size	13	13	13	15	17	20	23	26	30	40	40		
		Torque	114	150	227	343	459	701	935	1417	2391	3599	4799		
		OHL	650	650	650	710	1190	1560	1610	1610	2300	4190	4190		
88	20	Size	13	13	13	17	17	23	23	30	35	40	47		
		Torque	143	189	286	438	583	898	1198	1845	3125	4665	6156		
		OHL	650	650	650	1190	1190	1610	1610	2300	2760	4300	5600		
70	25	Size	13	13	15	17	20	23	26	30	40	47			
		Torque	169	223	341	517	707	1074	1485	2245	3719	5489			
		OHL	650	650	710	1190	1560	1610	1610	2300	4300	5600			
58	30	Size	13	13	15	17	23	26	26	35	40				
		Torque	200	264	404	607	847	1312	1750	2662	4365				
		OHL	650	650	710	1190	1610	1610	1610	2760	4300				
44	40	Size	13	15	17	20	23	26	30	35	47				
		Torque	249	333	520	793	1071	1630	2224	3361	5350				
		OHL	650	710	1190	1560	1610	1610	2300	2760	5600				
35	50	Size	13	15	17	23	26	30	35	40					
		Torque	289	388	600	929	1262	1940	2637	3767					
		OHL	650	710	1190	1610	1610	2300	2760	4300					
29	60	Size	15	17	20	23	26	30	35	40					
		Torque	329	442	691	1037	1432	2179	2923	4234					
		OHL	710	1190	1560	1610	1610	2300	2760	4300					

Torque = Actual output torque in lb. - in.

OHL = Maximum OHL capacity in lbs.

Tigear®-2 selection tables

By horsepower and service factor

1.25 reducer service factor

1750 RPM input

Output RPM	Ratio	Motor horsepower													
		0.25	0.33	0.50	0.75	1.00	1.50	2.00	3.00	5.00	7.50	10.00	15.00	20.00	
350	5	Size	13	13	13	13	13	17	17	23	26	30	35	40	47
		Torque	42	55	83	125	166	249	332	504	846	1279	1709	2556	3397
		OHL	520	520	520	520	520	840	840	1064	1064	1064	1696	2288	4080
233	7.5	Size	13	13	13	13	15	17	20	23	30	35	40	47	
		Torque	60	79	120	180	241	364	489	736	1242	1871	2485	3727	
		OHL	520	520	520	520	568	952	1248	1216	1232	1944	2624	4480	
175	10	Size	13	13	13	15	17	20	23	26	30	35	40	47	
		Torque	80	105	160	241	320	483	648	979	1650	2498	3315	4973	
		OHL	520	520	520	568	952	1248	1288	1288	1376	2160	2912	4480	
117	15	Size	13	13	13	17	17	23	23	30	35	40	47		
		Torque	114	150	227	345	459	701	935	1434	2418	3599	4796		
		OHL	520	520	520	952	952	1288	1288	1840	2208	3352	4480		
88	20	Size	13	13	15	17	20	23	26	30	40	47			
		Torque	143	189	292	438	596	898	1236	1845	3110	4617			
		OHL	520	520	568	952	1248	1288	1288	1840	3440	4480			
70	25	Size	13	13	17	20	23	26	30	35	40				
		Torque	169	223	345	530	716	1114	1497	2279	3719				
		OHL	520	520	952	1248	1288	1288	1840	2208	3440				
58	30	Size	13	15	17	20	23	26	30	35	47				
		Torque	200	267	404	625	847	1312	1766	2662	4308				
		OHL	520	568	952	1248	1288	1288	1840	2208	4480				
44	40	Size	13	15	20	23	26	30	35	40					
		Torque	249	333	529	803	1087	1668	2241	3253					
		OHL	520	568	1248	1288	1288	1840	2208	3440					
35	50	Size	15	17	20	23	26	35	35	47					
		Torque	294	396	617	929	1262	1978	2637	3705					
		OHL	568	952	1248	1288	1288	2208	2208	4480					
29	60	Size	17	17	23	26	30	35	40	47					
		Torque	335	442	692	1074	1453	2192	2822	4143					
		OHL	952	952	1288	1288	1840	2208	3440	4480					

Torque = Actual output torque in lb. - in.

OHL = Maximum OHL capacity in lbs.

Tigear®-2 selection tables

By horsepower and service factor

1.50 reducer service factor

1750 RPM input

Output RPM	Ratio	Motor horsepower												
		0.25	0.33	0.50	0.75	1.00	1.50	2.00	3.00	5.00	7.50	10.00	15.00	20.00
350	5	Size	13	13	13	13	15	17	20	23	30	35	35	47
		Torque	42	55	83	125	167	249	335	504	853	1281	1709	2548
		OHL	433	433	433	433	473	700	700	887	887	1413	1413	3400
233	7.5	Size	13	13	13	15	17	20	23	26	30	35	40	47
		Torque	60	79	120	181	243	367	491	739	1242	1871	2485	3727
		OHL	433	433	433	473	793	1040	1013	1013	1027	1620	2187	3733
175	10	Size	13	13	13	15	17	20	23	26	35	40	47	
		Torque	80	105	160	241	320	483	648	979	1666	2486	3315	
		OHL	433	433	433	473	793	1040	1073	1073	1800	2427	3733	
117	15	Size	13	13	15	17	20	23	26	30	40	47		
		Torque	114	150	228	345	467	701	944	1434	2400	3597		
		OHL	433	433	473	793	1040	1073	1073	1533	2793	3733		
88	20	Size	13	13	17	20	23	26	30	35	40			
		Torque	143	189	292	447	599	927	1230	1875	3110			
		OHL	433	433	793	1040	1073	1073	1533	1840	2867			
70	25	Size	13	15	17	23	23	26	30	35	47			
		Torque	169	225	345	537	716	1114	1497	2279	3659			
		OHL	433	473	793	1073	1073	1073	1533	1840	3733			
58	30	Size	13	15	17	23	26	30	35	40	47			
		Torque	200	267	404	635	875	1324	1775	2619	4308			
		OHL	433	473	793	1073	1073	1533	1840	2867	3733			
44	40	Size	15	17	20	26	26	35	35	47				
		Torque	252	343	529	815	1087	1680	2241	3210				
		OHL	473	793	1040	1073	1073	1840	1840	3733				
35	50	Size	17	17	23	26	30	35	40	47				
		Torque	300	396	619	947	1293	1978	2511	3705				
		OHL	793	793	1073	1073	1533	1840	2867	3733				
29	60	Size	17	20	23	30	30	40	40					
		Torque	335	456	692	1090	1453	2117	2822					
		OHL	793	1040	1073	1533	1533	2867	2867					

Torque = Actual output torque in lb. - in.

OHL = Maximum OHL capacity in lbs.

Features and benefits

Specification / How to order / Nomenclature

Selection procedures / Hp / Service factor

Ratings / Dimensions

Washdown E-Z Klean®

Washdown Food Safe

Food Safe dimensions

Tigear®-2 selection tables

By horsepower and service factor

2.00 reducer service factor

1750 RPM input

Output RPM	Ratio		Motor horsepower												
			0.25	0.33	0.50	0.75	1.00	1.50	2.00	3.00	5.00	7.50	10.00	15.00	20.00
350	5	Size	13	13	13	15	17	20	23	26	30	35	40		
		Torque	42	55	83	125	166	251	336	508	853	1281	1704		
		OHL	325	325	325	355	525	690	665	665	665	1060	1430		
233	7.5	Size	13	13	13	17	17	23	23	30	35	40	47		
		Torque	60	79	120	182	243	368	491	745	1248	1863	2485		
		OHL	325	325	325	595	595	760	760	770	1215	1640	2800		
175	10	Size	13	13	15	17	20	23	26	30	35	47			
		Torque	80	105	160	240	322	486	653	990	1666	2487			
		OHL	325	325	355	595	780	805	805	860	1350	2800			
117	15	Size	13	15	17	20	23	26	30	35	40				
		Torque	114	151	230	350	468	708	956	1451	2400				
		OHL	325	355	595	780	805	805	1150	1380	2095				
88	20	Size	13	15	17	23	23	30	35	40	47				
		Torque	143	193	292	449	599	922	1250	1866	3078				
		OHL	325	355	595	805	805	1150	1380	2150	2800				
70	25	Size	15	17	20	23	26	30	35	40					
		Torque	170	227	354	537	743	1122	1519	2231					
		OHL	355	595	780	805	805	1150	1380	2150					
58	30	Size	15	17	23	26	26	35	35	47					
		Torque	202	267	424	656	875	1331	1775	2585					
		OHL	355	595	805	805	805	1380	1380	2800					
44	40	Size	17	20	23	26	30	35	40	47					
		Torque	260	349	536	815	1112	1680	2168	3210					
		OHL	595	780	805	805	1150	1380	2150	2800					
35	50	Size	17	23	26	30	35	40	47						
		Torque	300	409	631	970	1318	1884	2470						
		OHL	595	805	805	1150	1380	2150	2800						
29	60	Size	20	23	26	30	35	40	47						
		Torque	345	456	716	1090	1462	2117	2762						
		OHL	780	805	805	1150	1380	2150	2800						

Torque = Actual output torque in lb. - in.

OHL = Maximum OHL capacity in lbs.

Ratings and dimensions

Tigear®-2 reducers with quill input – Size 13

Tigear-2 reducers with quill input – Size 13

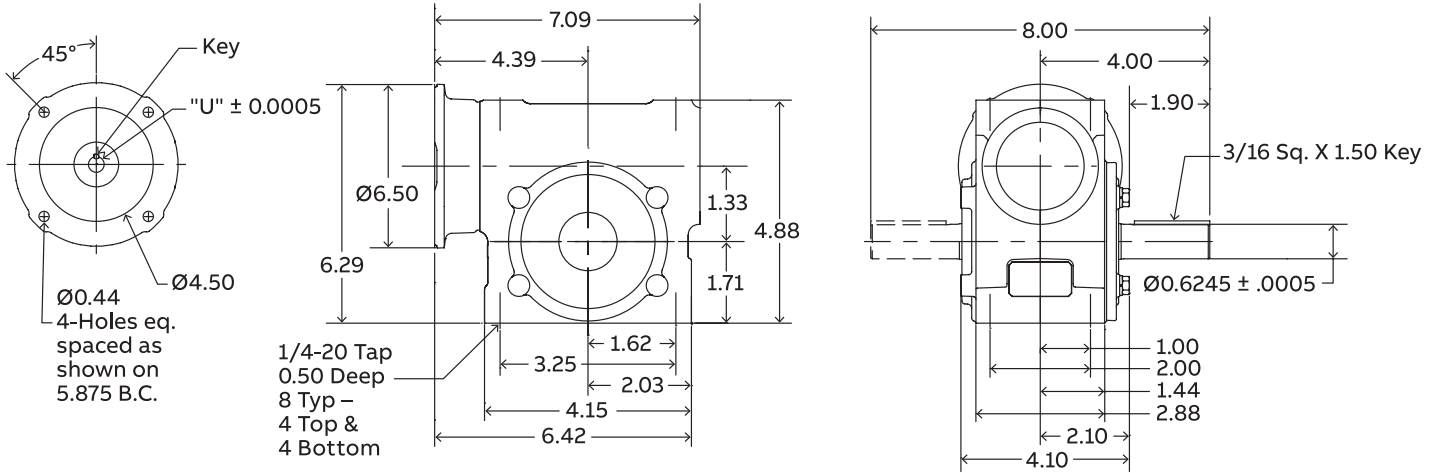
Ratio	Output RPM	Rating data		Part number 56C	Shaft position
			1750 input RPM		
5	350	Mechanical input Hp	1.32	13Q05L56	L
		Thermal input Hp	2.94	13Q05R56	R
		Output torque (lb. in.)	219	13Q05LR56	LR
		Mechanical output Hp	1.22	13Q05H56	Hollow
		Output OHL (lbs.)	650	–	–
7.5	233	Mechanical input Hp	1.04	13Q07L56	L
		Thermal input Hp	2.27	13Q07R56	R
		Output torque (lb. in.)	251	13Q07LR56	LR
		Mechanical output Hp	0.94	13Q07H56	Hollow
		Output OHL (lbs.)	650	–	–
10	175	Mechanical input Hp	0.85	13Q10L56	L
		Thermal input Hp	1.96	13Q10R56	R
		Output torque (lb. in.)	270	13Q10LR56	LR
		Mechanical output Hp	0.75	13Q10H56	Hollow
		Output OHL (lbs.)	650	–	–
15	117	Mechanical input Hp	0.64	13Q15L56	L
		Thermal input Hp	1.38	13Q15R56	R
		Output torque (lb. in.)	293	13Q15LR56	LR
		Mechanical output Hp	0.54	13Q15H56	Hollow
		Output OHL (lbs.)	650	–	–
20	88	Mechanical input Hp	0.53	13Q20L56	L
		Thermal input Hp	1.06	13Q20R56	R
		Output torque (lb. in.)	304	13Q20LR56	LR
		Mechanical output Hp	0.42	13Q20H56	Hollow
		Output OHL (lbs.)	650	–	–
25	70	Mechanical input Hp	0.46	13Q25L56	L
		Thermal input Hp	0.86	13Q25R56	R
		Output torque (lb. in.)	311	13Q25LR56	LR
		Mechanical output Hp	0.35	13Q25H56	Hollow
		Output OHL (lbs.)	650	–	–
30	58	Mechanical input Hp	0.39	13Q30L56	L
		Thermal input Hp	0.85	13Q30R56	R
		Output torque (lb. in.)	314	13Q30LR56	LR
		Mechanical output Hp	0.29	13Q30H56	Hollow
		Output OHL (lbs.)	650	–	–
40	44	Mechanical input Hp	0.32	13Q40L56	L
		Thermal input Hp	0.70	13Q40R56	R
		Output torque (lb. in.)	319	13Q40LR56	LR
		Mechanical output Hp	0.22	13Q40H56	Hollow
		Output OHL (lbs.)	650	–	–
50	35	Mechanical input Hp	0.27	13Q50L56	L
		Thermal input Hp	0.61	13Q50R56	R
		Output torque (lb. in.)	313	13Q50LR56	LR
		Mechanical output Hp	0.17	13Q50H56	Hollow
		Output OHL (lbs.)	650	–	–
60	29	Mechanical input Hp	0.23	13Q60L56	L
		Thermal input Hp	0.54	13Q60R56	R
		Output torque (lb. in.)	298	13Q60LR56	LR
		Mechanical output Hp	0.14	13Q60H56	Hollow
		Output OHL (lbs.)	650	–	–

Note: Reducers are shipped without a mounting base. Order bolt-on base kit **13BASE** if required.

Ratings and dimensions

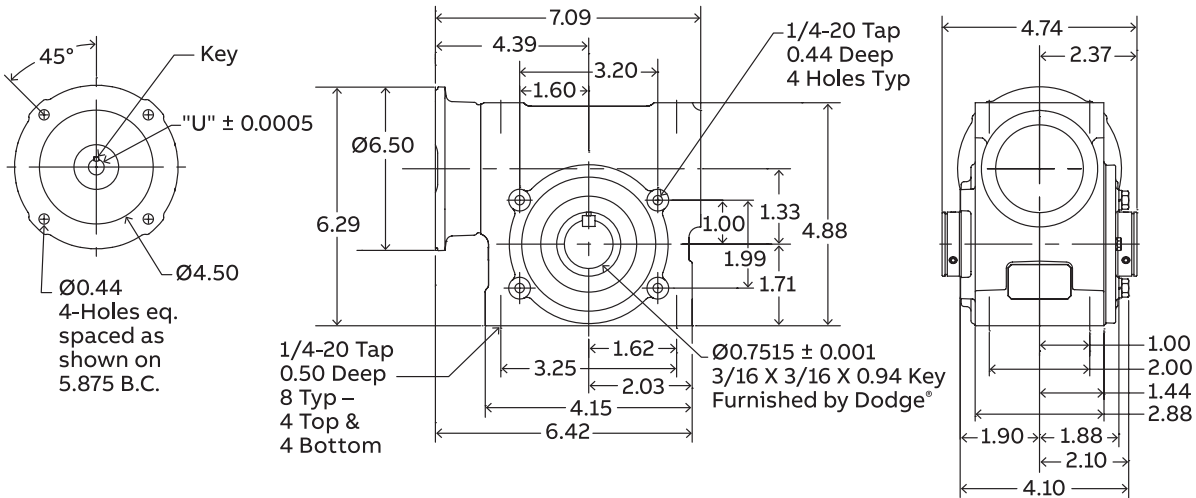
Tigear®-2 reducers with quill input – Size 13

Solid output

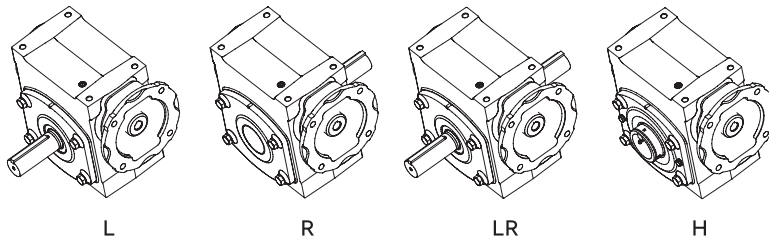


Motor frame	"U"	Key
56C	Ø0.626	3/16 sq. -x 1.72 Key

Hollow output



Output shaft configurations



Ratings and dimensions

Tigear®-2 reducers with separate input – Size 13

Tigear-2 reducers with separate input – Size 13

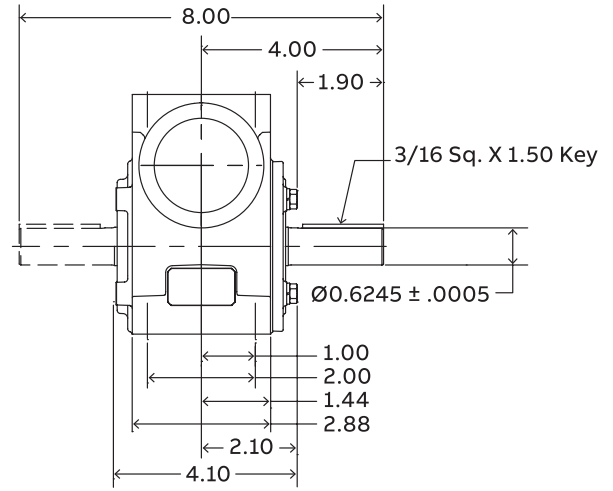
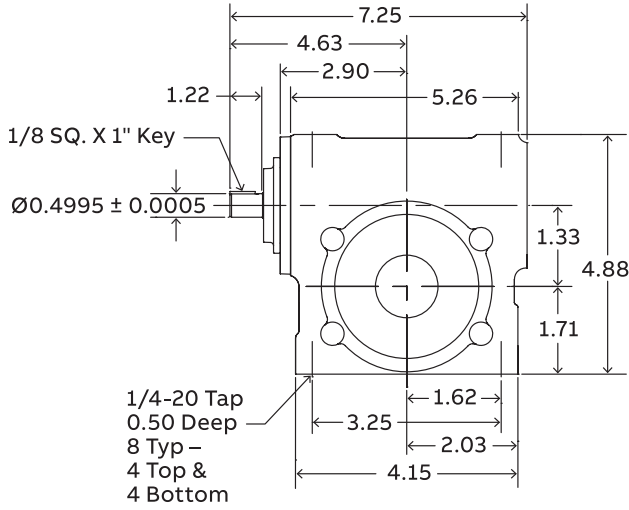
Ratio	Output RPM	Rating data 1750 input RPM	Separate reducer	Shaft position	Optional motor adapter kit		
					56C	140TC	
5	350	Mechanical input Hp	1.32	13S05L	L	1315MTR56	1315MTR14
		Thermal input Hp	2.94	13S05R	R		
		Output torque (lb. in.)	219	13S05LR	LR		
		Mechanical output Hp	1.22	13S05H	Hollow		
		Output OHL (lbs.)	650	–	–		
7.5	233	Mechanical input Hp	1.04	13S07L	L	1315MTR56	1315MTR14
		Thermal input Hp	2.27	13S07R	R		
		Output torque (lb. in.)	251	13S07LR	LR		
		Mechanical output Hp	0.94	13S07H	Hollow		
		Output OHL (lbs.)	650	–	–		
10	175	Mechanical input Hp	0.85	13S10L	L	1315MTR56	1315MTR14
		Thermal input Hp	1.96	13S10R	R		
		Output torque (lb. in.)	270	13S10LR	LR		
		Mechanical output Hp	0.75	13S10H	Hollow		
		Output OHL (lbs.)	650	–	–		
15	117	Mechanical input Hp	0.64	13S15L	L	1315MTR56	–
		Thermal input Hp	1.38	13S15R	R		
		Output torque (lb. in.)	293	13S15LR	LR		
		Mechanical output Hp	0.54	13S15H	Hollow		
		Output OHL (lbs.)	650	–	–		
20	88	Mechanical input Hp	0.53	13S20L	L	1315MTR56	–
		Thermal input Hp	1.06	13S20R	R		
		Output torque (lb. in.)	304	13S20LR	LR		
		Mechanical output Hp	0.42	13S20H	Hollow		
		Output OHL (lbs.)	650	–	–		
25	70	Mechanical input Hp	0.46	13S25L	L	1315MTR56	–
		Thermal input Hp	0.86	13S25R	R		
		Output torque (lb. in.)	311	13S25LR	LR		
		Mechanical output Hp	0.35	13S25H	Hollow		
		Output OHL (lbs.)	650	–	–		
30	58	Mechanical input Hp	0.39	13S30L	L	1315MTR56	–
		Thermal input Hp	0.85	13S30R	R		
		Output torque (lb. in.)	314	13S30LR	LR		
		Mechanical Output Hp	0.29	13S30H	Hollow		
		Output OHL (lbs.)	650	–	–		
40	44	Mechanical input Hp	0.32	13S40L	L	1315MTR56	–
		Thermal input Hp	0.70	13S40R	R		
		Output torque (lb. in.)	319	13S40LR	LR		
		Mechanical output Hp	0.22	13S40H	Hollow		
		Output OHL (lbs.)	650	–	–		
50	35	Mechanical input Hp	0.27	13S50L	L	1315MTR56	–
		Thermal input Hp	0.61	13S50R	R		
		Output torque (lb. in.)	313	13S50LR	LR		
		Mechanical output Hp	0.17	13S50H	Hollow		
		Output OHL (lbs.)	650	–	–		
60	29	Mechanical input Hp	0.23	13S60L	L	1315MTR56	–
		Thermal input Hp	0.54	13S60R	R		
		Output torque (lb. in.)	298	13S60LR	LR		
		Mechanical output Hp	0.14	13S60H	Hollow		
		Output OHL (lbs.)	650	–	–		
All ratios		Input OHL (lbs.)	120		One diameter from seal surface		–

Note: Tigear-2 separate reducers cannot be used with the old adaptable Tigear motor adapter kits.

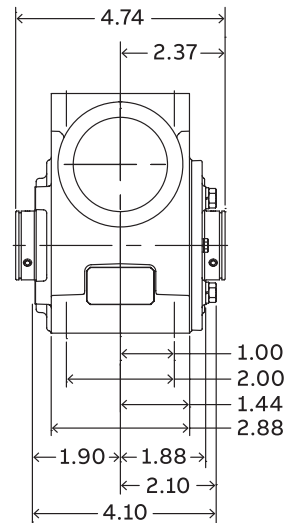
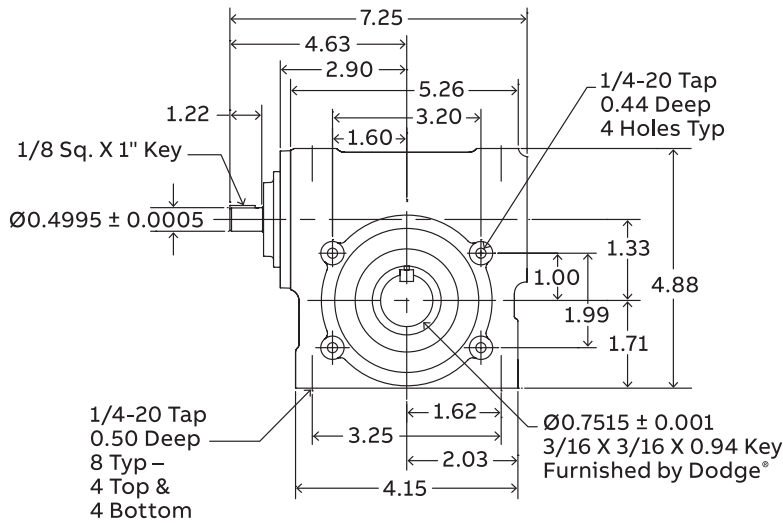
Ratings and dimensions

Tigear®-2 reducers with separate input –Size 13

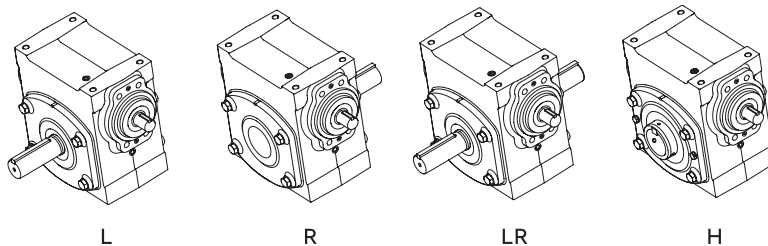
Solid output



Hollow output



Output shaft configurations



Ratings and dimensions

Tigear®-2 reducers with 3-piece coupled input – Size 13

Tigear-2 speed reducers with 3-piece coupled input – Size 13

3-piece coupled units include a separate reducer, 3-piece coupling and motor adapter housing assembled together.

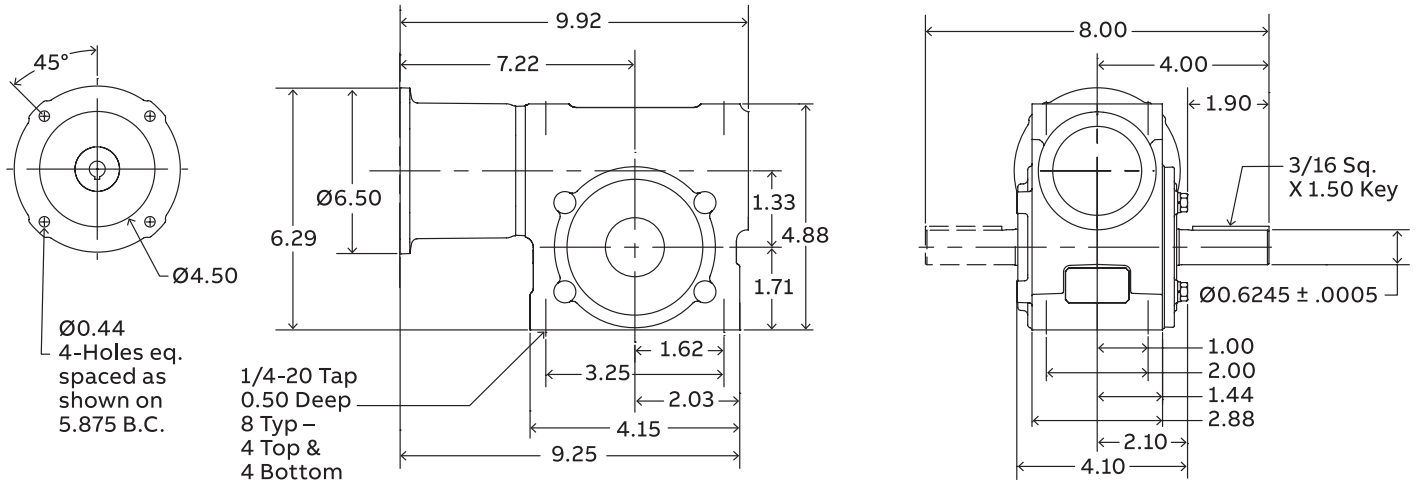
Ratio	Output RPM	Rating data		Part number		Shaft position
		1750 Input RPM	56C	140TC		
5	350	Mechanical input Hp	1.32	13A05L56	13A05L14	L
		Thermal input Hp	2.94	13A05R56	13A05RL14	R
		Output torque (lb. in.)	219	13A05LR56	13A05LR14	LR
		Mechanical output Hp	1.22	13A05H56	13A05H14	Hollow
		Output OHL (lbs.)	650	-	-	-
7.5	233	Mechanical input Hp	1.04	13A07L56	13A07L14	L
		Thermal input Hp	2.27	13A07R56	13A07RL14	R
		Output torque (lb. in.)	251	13A07LR56	13A07LR14	LR
		Mechanical output Hp	0.94	13A07H56	13A07H14	Hollow
		Output OHL (lbs.)	650	-	-	-
10	175	Mechanical input Hp	0.85	13A10L56	13A10L14	L
		Thermal input Hp	1.96	13A10R56	13A10RL14	R
		Output torque (lb. in.)	270	13A10LR56	13A10LR14	LR
		Mechanical output Hp	0.75	13A10H56	13A10H14	Hollow
		Output OHL (lbs.)	650	-	-	-
15	117	Mechanical input Hp	0.64	13A15L56		L
		Thermal input Hp	1.38	13A15R56		R
		Output torque (lb. in.)	293	13A15LR56	-	LR
		Mechanical output Hp	0.54	13A15H56		Hollow
		Output OHL (lbs.)	650	-	-	-
20	88	Mechanical input Hp	0.53	13A20L56		L
		Thermal input Hp	1.06	13A20R56		R
		Output torque (lb. in.)	304	13A20LR56	-	LR
		Mechanical output Hp	0.42	13A20H56		Hollow
		Output OHL (lbs.)	650	-	-	-
25	70	Mechanical input Hp	0.46	13A25L56		L
		Thermal input Hp	0.86	13A25R56		R
		Output torque (lb. in.)	311	13A25LR56	-	LR
		Mechanical output Hp	0.35	13A25H56		Hollow
		Output OH (lbs.)	650	-	-	-
30	58	Mechanical input Hp	0.39	13A30L56		L
		Thermal input Hp	0.85	13A30R56		R
		Output torque (lb. in.)	314	13A30LR56	-	LR
		Mechanical output Hp	0.29	13A30H56		Hollow
		Output OHL (lbs.)	650	-	-	-
40	44	Mechanical input Hp	0.32	13A40L56		L
		Thermal input Hp	0.70	13A40R56		R
		Output torque (lb. in.)	319	13A40LR56	-	LR
		Mechanical output Hp	0.22	13A40H56		Hollow
		Output OHL (lbs.)	650	-	-	-
50	35	Mechanical input Hp	0.27	13A50L56		L
		Thermal input Hp	0.61	13A50R56		R
		Output torque (lb. in.)	313	13A50LR56	-	LR
		Mechanical output Hp	0.17	13A50H56		Hollow
		Output OHL (lbs.)	650	-	-	-
60	29	Mechanical input Hp	0.23	13A60L56		L
		Thermal input Hp	0.54	13A60R56		R
		Output torque (lb. in.)	298	13A60LR56	-	LR
		Mechanical output Hp	0.14	13A60H56		Hollow
		Output OHL (lbs.)	650	-	-	-

Note: Reducers are shipped without a mounting base. Order bolt-on base kit **13BASE** if required.

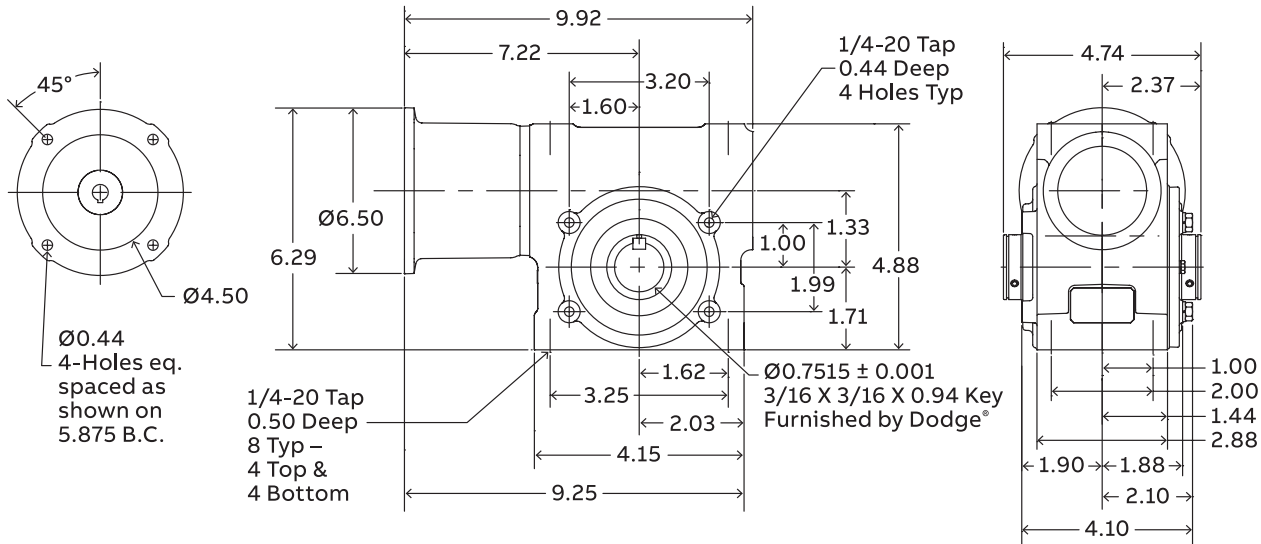
Ratings and dimensions

Tigear®-2 reducers with 3-piece coupled input – Size 13

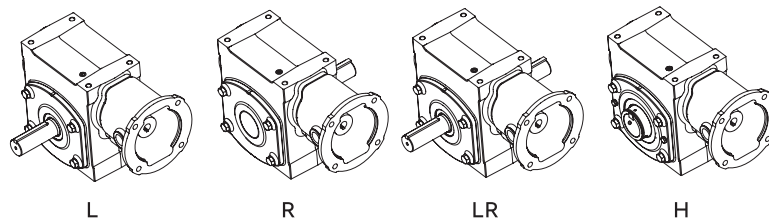
Solid output



Hollow output



Output shaft configurations



Ratings and dimensions

Tigear®-2 reducers with quill input – Size 15

Tigear-2 reducers with quill input – Size 15

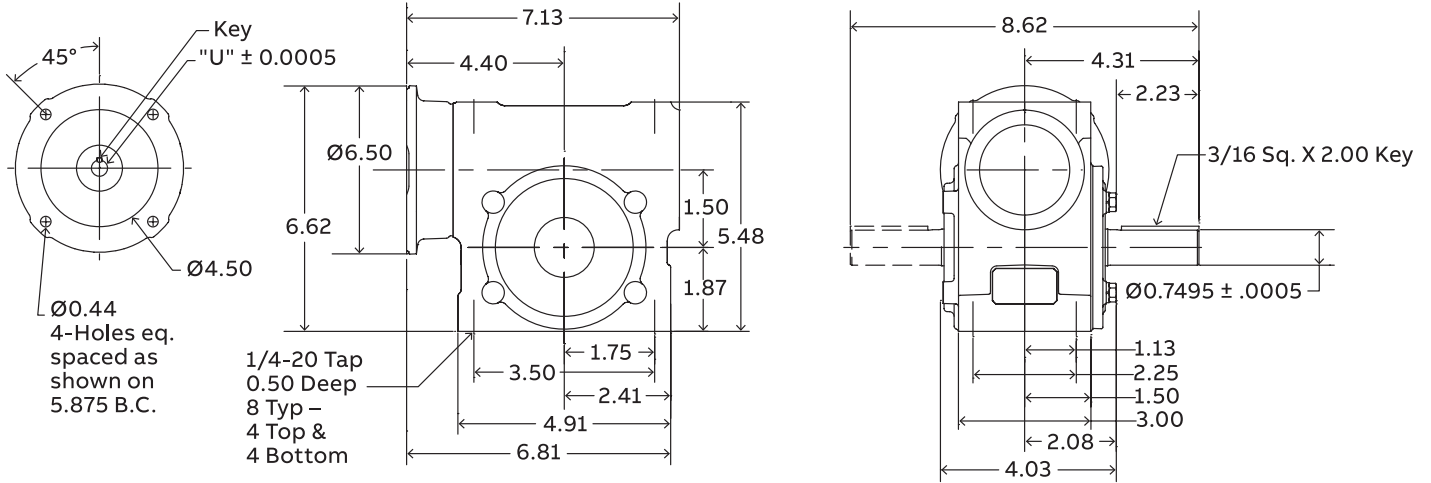
Ratio	Output RPM	Rating data 1750 Input RPM	Part number 56C	Shaft position	
5	350	Mechanical input Hp	1.75	15Q05L56	L
		Thermal input Hp	3.34	15Q05R56	R
		Output torque (lb. in.)	293	15Q05LR56	LR
		Mechanical output Hp	1.63	15Q05H56	Hollow
		Output OHL (lbs.)	710	-	-
7.5	233	Mechanical input Hp	1.40	15Q07L56	L
		Thermal input Hp	2.55	15Q07R56	R
		Output torque (lb. in.)	337	15Q07LR56	LR
		Mechanical output Hp	1.26	15Q07H56	Hollow
		Output OHL (lbs.)	710	-	-
10	175	Mechanical input Hp	1.13	15Q10L56	L
		Thermal input Hp	2.22	15Q10R56	R
		Output torque (lb. in.)	361	15Q10LR56	LR
		Mechanical output Hp	1.00	15Q10H56	Hollow
		Output OHL (lbs.)	710	-	-
15	117	Mechanical input Hp	0.86	15Q15L56	L
		Thermal input Hp	1.58	15Q15R56	R
		Output torque (lb. in.)	392	15Q15LR56	LR
		Mechanical output Hp	0.73	15Q15H56	Hollow
		Output OHL (lbs.)	710	-	-
20	88	Mechanical input Hp	0.70	15Q20L56	L
		Thermal input Hp	1.26	15Q20R56	R
		Output torque (lb. in.)	407	15Q20LR56	LR
		Mechanical output Hp	0.56	15Q20H56	Hollow
		Output OHL (lbs.)	710	-	-
25	70	Mechanical input Hp	0.60	15Q25L56	L
		Thermal input Hp	0.99	15Q25R56	R
		Output torque (lb. in.)	410	15Q25LR56	LR
		Mechanical output Hp	0.46	15Q25H56	Hollow
		Output OHL (lbs.)	710	-	-
30	58	Mechanical input Hp	0.51	15Q30L56	L
		Thermal input Hp	0.96	15Q30R56	R
		Output torque (lb. in.)	413	15Q30LR56	LR
		Mechanical output Hp	0.38	15Q30H56	Hollow
		Output OHL (lbs.)	710	-	-
40	44	Mechanical input Hp	0.41	15Q40L56	L
		Thermal input Hp	0.80	15Q40R56	R
		Output torque (lb. in.)	417	15Q40LR56	LR
		Mechanical output Hp	0.29	15Q40H56	Hollow
		Output OHL (lbs.)	710	-	-
50	35	Mechanical input Hp	0.34	15Q50L56	L
		Thermal input Hp	0.70	15Q50R56	R
		Output torque (lb. in.)	402	15Q50LR56	LR
		Mechanical output Hp	0.22	15Q50H56	Hollow
		Output OHL (lbs.)	710	-	-
60	29	Mechanical input Hp	0.29	15Q60L56	L
		Thermal input Hp	0.62	15Q60R56	R
		Output torque (lb. in.)	381	15Q60LR56	LR
		Mechanical output Hp	0.18	15Q60H56	Hollow
		Output OHL (lbs.)	710	-	-

Note: Reducers are shipped without a mounting base. Order bolt-on base kit **15BASE** if required.

Ratings and dimensions

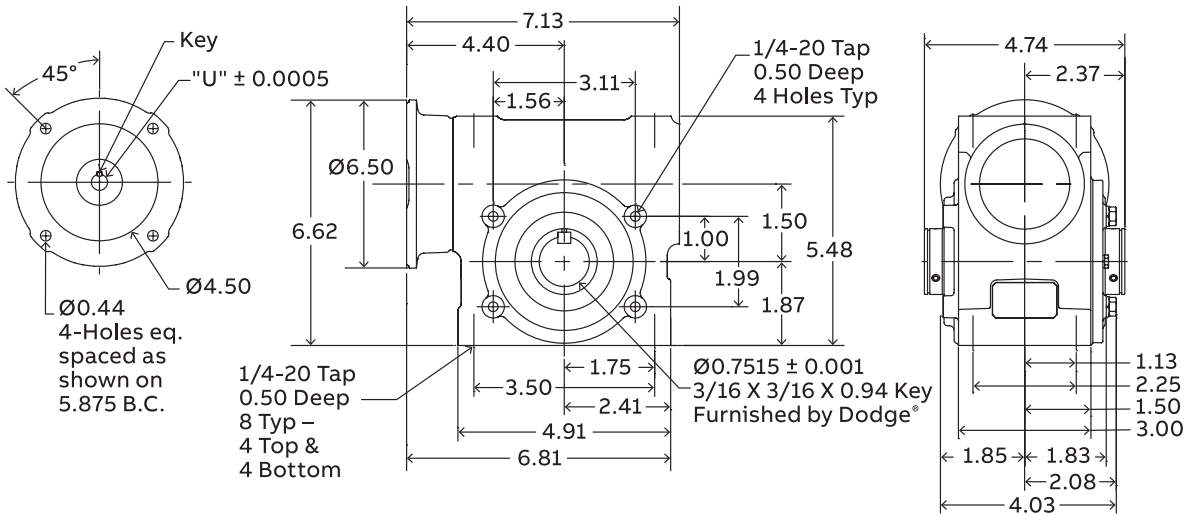
Tigear®-2 reducers with quill input – Size 15

Solid output

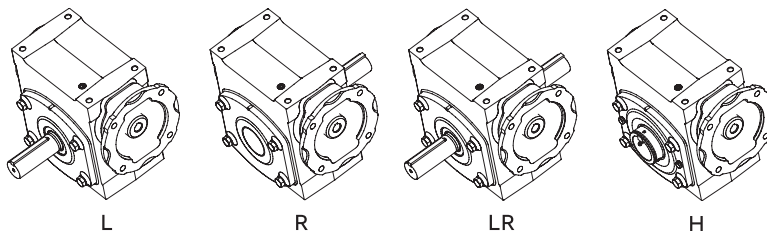


Motor frame	"U"	Key
56C	Ø0.626	3/16 sq. x 1.72 Key

Hollow output



Output shaft configurations



Ratings and dimensions

Tigear®-2 reducers with separate input – Size 15

Tigear-2 reducers with separate input – Size 15

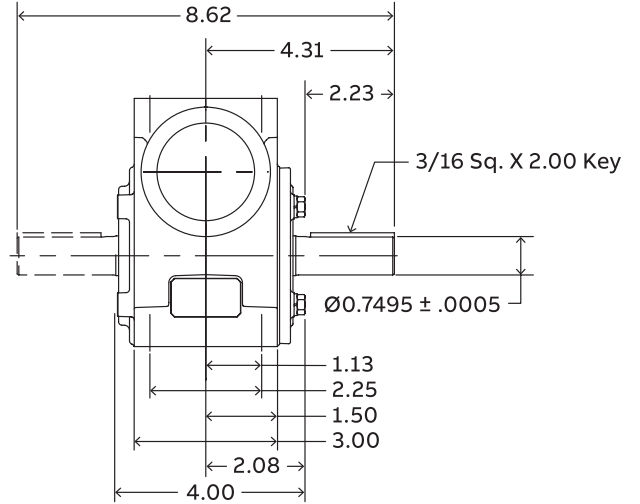
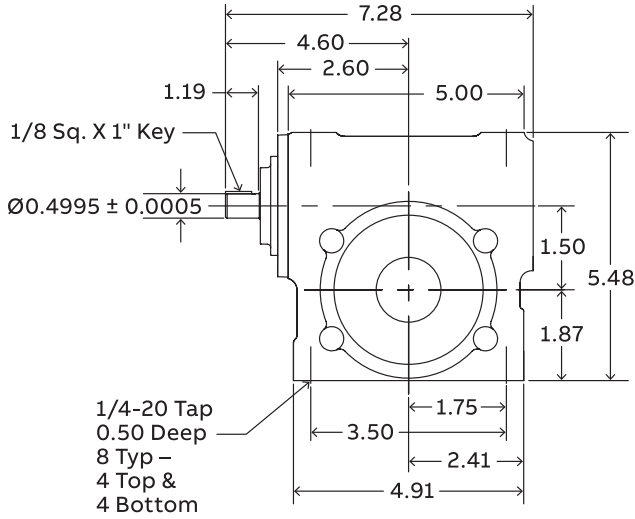
Ratio	Output RPM	Rating data 1750 Input RPM	Separate reducer	Shaft position	Optional motor adapter kit		
					56C	140TC	
5	350	Mechanical input Hp	1.75	15S05L	L		
		Thermal input Hp	3.34	15S05R	R		
		Output torque (lb. in.)	293	15S05LR	LR	1315MTR56	1315MTR14
		Mechanical output Hp	1.63	15S05H	Hollow		
		Output OHL (lbs.)	710	–	–		
7.5	233	Mechanical input Hp	1.40	15S07L	L		
		Thermal input Hp	2.55	15S07R	R		
		Output torque (lb. in.)	337	15S07LR	LR	1315MTR56	1315MTR14
		Mechanical output Hp	1.26	15S07H	Hollow		
		Output OHL (lbs.)	710	–	–		
10	175	Mechanical input Hp	1.13	15S10L	L		
		Thermal input Hp	2.22	15S10R	R		
		Output torque (lb. in.)	361	15S10LR	LR	1315MTR56	1315MTR14
		Mechanical output Hp	1.00	15S10H	Hollow		
		Output OHL (lbs.)	710	–	–		
15	117	Mechanical input Hp	0.86	15S15L	L		
		Thermal input Hp	1.58	15S15R	R		
		Output torque (lb. in.)	392	15S15LR	LR	1315MTR56	–
		Mechanical output Hp	0.73	15S15H	Hollow		
		Output OHL (lbs.)	710	–	–		
20	88	Mechanical input Hp	0.70	15S20L	L		
		Thermal input Hp	1.26	15S20R	R		
		Output torque (lb. in.)	407	15S20LR	LR	1315MTR56	–
		Mechanical output Hp	0.56	15S20H	Hollow		
		Output OHL (lbs.)	710	–	–		
25	70	Mechanical input Hp	0.60	15S25L	L		
		Thermal input Hp	0.99	15S25R	R		
		Output torque (lb. in.)	410	15S25LR	LR	1315MTR56	–
		Mechanical output Hp	0.46	15S25H	Hollow		
		Output OHL (lbs.)	710	–	–		
30	58	Mechanical input Hp	0.51	15S30L	L		
		Thermal input Hp	0.96	15S30R	R		
		Output torque (lb. in.)	413	15S30LR	LR	1315MTR56	–
		Mechanical output Hp	0.38	15S30H	Hollow		
		Output OHL (lbs.)	710	–	–		
40	44	Mechanical input Hp	0.41	15S40L	L		
		Thermal input Hp	0.80	15S40R	R		
		Output torque (lb. in.)	417	15S40LR	LR	1315MTR56	–
		Mechanical output Hp	0.29	15S40H	Hollow		
		Output OHL (lbs.)	710	–	–		
50	35	Mechanical input Hp	0.34	15S50L	L		
		Thermal input Hp	0.70	15S50R	R		
		Output torque (lb. in.)	402	15S50LR	LR	1315MTR56	–
		Mechanical output Hp	0.22	15S50H	Hollow		
		Output OHL (lbs.)	710	–	–		
60	29	Mechanical input Hp	0.29	15S60L	L		
		Thermal input Hp	0.62	15S60R	R		
		Output torque (lb. in.)	381	15S60LR	LR	1315MTR56	–
		Mechanical output Hp	0.18	15S60H	Hollow		
		Output OHL (lbs.)	710	–	–		
All ratios		Input OHL (lbs.)	140		One diameter from seal surface		–

Note: Tigear-2 separate reducers cannot be used with the old adaptable Tigear motor adapter kits.

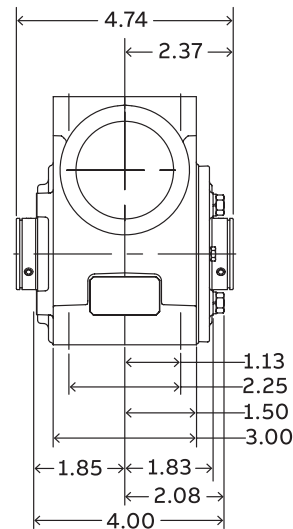
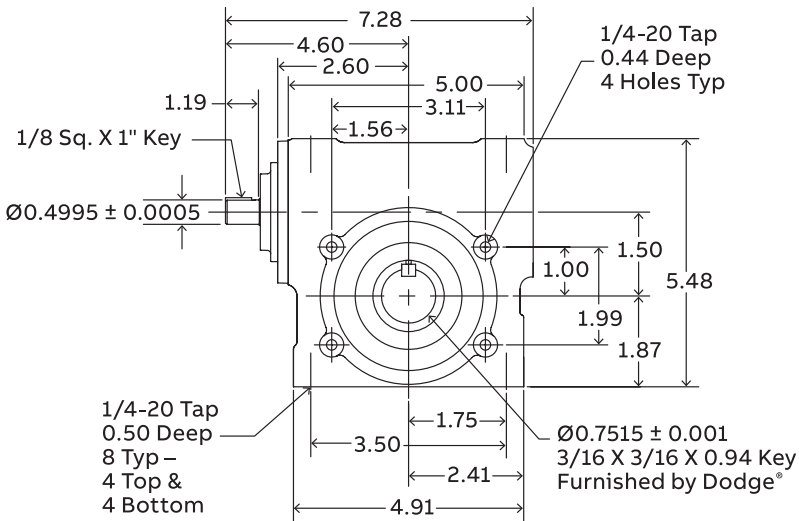
Ratings and dimensions

Tigear®-2 reducers with separate input – Size 15

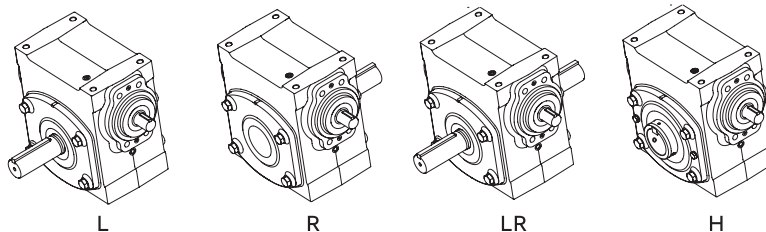
Solid output



Hollow output



Output shaft configurations



Ratings and dimensions

Tigear®-2 reducers with 3-piece coupled input – Size 15

Tigear-2 reducers with 3-piece coupled input – Size 15

3-piece coupled units include a separate reducer, 3-piece coupling and motor adapter housing assembled together.

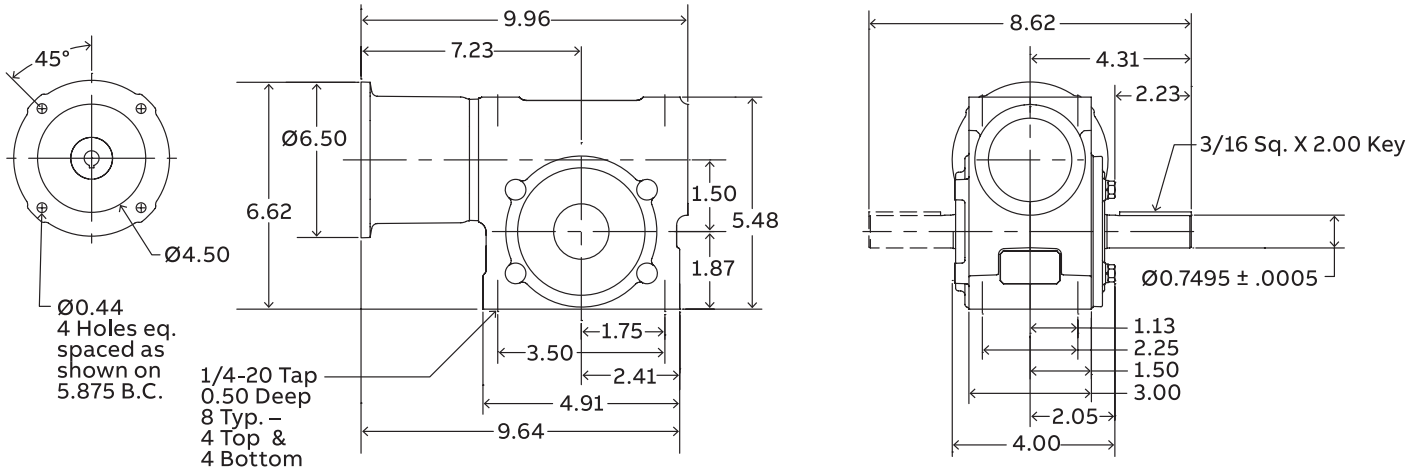
Ratio	Output RPM	Rating data		Part number		Position shaft
		1750 Input RPM	56C	140TC		
5	350	Mechanical input Hp	1.75	15A05L56	15A05L14	L
		Thermal input Hp	3.34	15A05R56	15A05R14	R
		Output torque (lb. in.)	293	15A05LR56	15A05LR14	LR
		Mechanical output Hp	1.63	15A05H56	15A05H14	Hollow
		Output OHL (lbs.)	710	-	-	-
7.5	233	Mechanical input Hp	1.40	15A07L56	15A07L14	L
		Thermal input Hp	2.55	15A07R56	15A07R14	R
		Output torque (lb. in.)	337	15A07LR56	15A07LR14	LR
		Mechanical output Hp	1.26	15A07H56	15A07H14	Hollow
		Output OHL (lbs.)	710	-	-	-
10	175	Mechanical input Hp	1.13	15A10L56	15A10L14	L
		Thermal input Hp	2.22	15A10R56	15A10R14	R
		Output torque (lb. in.)	361	15A10LR56	15A10LR14	LR
		Mechanical output Hp	1.00	15A10H56	15A10H14	Hollow
		Output OHL (lbs.)	710	-	-	-
15	117	Mechanical input Hp	0.86	15A15L56	-	L
		Thermal input Hp	1.58	15A15R56	-	R
		Output torque (lb. in.)	392	15A15LR56	-	LR
		Mechanical output Hp	0.73	15A15H56	-	Hollow
		Output OHL (lbs.)	710	-	-	-
20	88	Mechanical input Hp	0.70	15A20L56	-	L
		Thermal input Hp	1.26	15A20R56	-	R
		Output torque (lb. in.)	407	15A20LR56	-	LR
		Mechanical output Hp	0.56	15A20H56	-	Hollow
		Output OHL (lbs.)	710	-	-	-
25	70	Mechanical input Hp	0.60	15A25L56	-	L
		Thermal input Hp	0.99	15A25R56	-	R
		Output torque (lb. in.)	410	15A25LR56	-	LR
		Mechanical output Hp	0.46	15A25H56	-	Hollow
		Output OHL (lbs.)	710	-	-	-
30	58	Mechanical input Hp	0.51	15A30L56	-	L
		Thermal input Hp	0.96	15A30R56	-	R
		Output torque (lb. in.)	413	15A30LR56	-	LR
		Mechanical output Hp	0.38	15A30H56	-	Hollow
		Output OHL (lbs.)	710	-	-	-
40	44	Mechanical input Hp	0.41	15A40L56	-	L
		Thermal input Hp	0.80	15A40R56	-	R
		Output torque (lb. in.)	417	15A40LR56	-	LR
		Mechanical output Hp	0.29	15A40H56	-	Hollow
		Output OHL (lbs.)	710	-	-	-
50	35	Mechanical input Hp	0.34	15A50L56	-	L
		Thermal input Hp	0.70	15A50R56	-	R
		Output torque (lb. in.)	402	15A50LR56	-	LR
		Mechanical output Hp	0.22	15A50H56	-	Hollow
		Output OHL (lbs.)	710	-	-	-
60	29	Mechanical input Hp	0.29	15A60L56	-	L
		Thermal input Hp	0.62	15A60R56	-	R
		Output torque (lb. in.)	381	15A60LR56	-	LR
		Mechanical output Hp	0.18	15A60H56	-	Hollow
		Output OHL (lbs.)	710	-	-	-

Note: Reducers are shipped without a mounting base. Order bolt-on base kit **15BASE** if required.

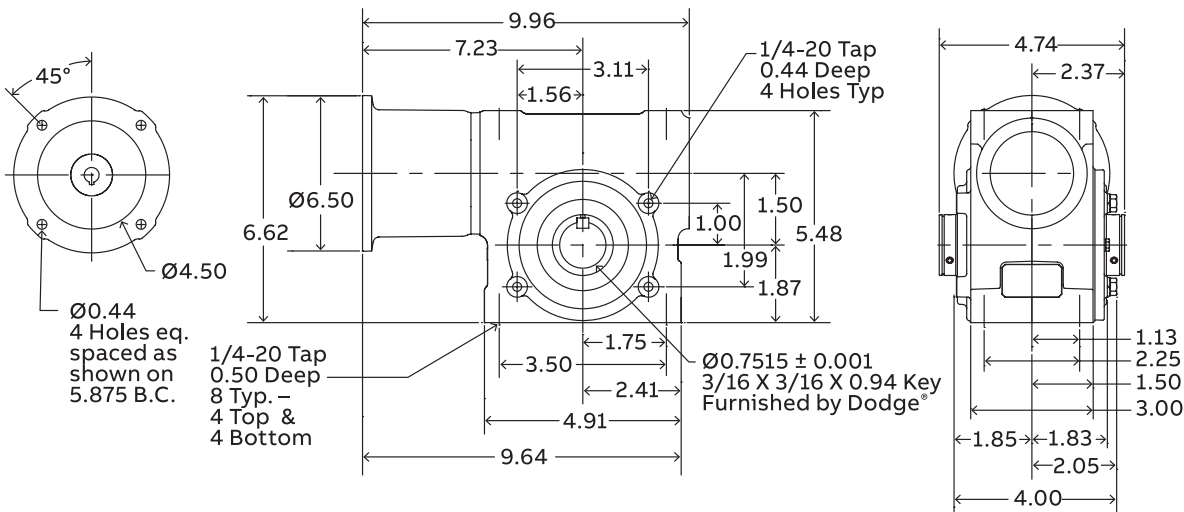
Ratings and dimensions

Tigear®-2 reducers with 3-piece coupled input – Size 15

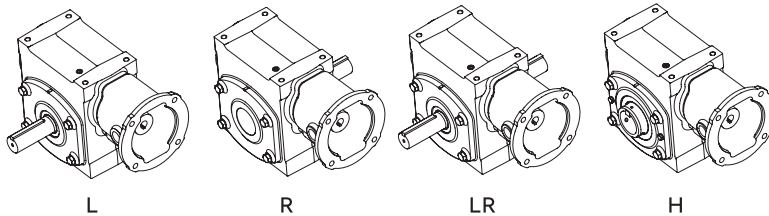
Solid output



Hollow output



Output shaft configurations



Ratings and dimensions

Tigear®-2 reducers with quill input – Size 17

Tigear-2 reducers with quill input – Size 17

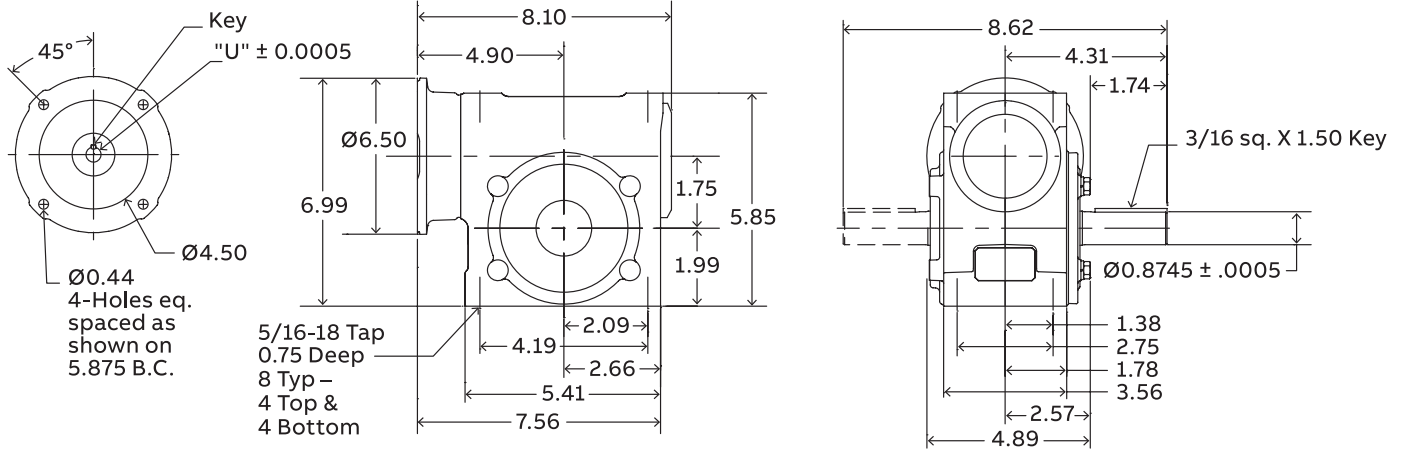
Ratio	Output RPM	Rating data		Part number		Shaft position
		1750 Input RPM	56C	140TC		
5	350	Mechanical input Hp	2.59	17Q05L56	17Q05L14	L
		Thermal input Hp	3.97	17Q05R56	17Q05R14	R
		Output torque (lb. in.)	430	17Q05LR56	17Q05LR14	LR
		Mechanical output Hp	2.39	17Q05H56	17Q05H14	Hollow
		Output OHL (lbs.)	1050	–	–	–
7.5	233	Mechanical input Hp	2.06	17Q07L56	17Q07L14	L
		Thermal input Hp	3.42	17Q07R56	17Q07R14	R
		Output torque (lb. in.)	500	17Q07LR56	17Q07LR14	LR
		Mechanical output Hp	1.88	17Q07H56	17Q07H14	Hollow
		Output OHL (lbs.)	1190	–	–	–
10	175	Mechanical input Hp	1.67	17Q10L56	17Q10L14	L
		Thermal input Hp	2.76	17Q10R56	17Q10R14	R
		Output torque (lb. in.)	534	17Q10LR56	17Q10LR14	LR
		Mechanical output Hp	1.48	17Q10H56	17Q10H14	Hollow
		Output OHL (lbs.)	1190	–	–	–
15	117	Mechanical input Hp	1.27	17Q15L56	17Q15L14	L
		Thermal input Hp	2.01	17Q15R56	17Q15R14	R
		Output torque (lb. in.)	583	17Q15LR56	17Q15LR14	LR
		Mechanical output Hp	1.08	17Q15H56	17Q15H14	Hollow
		Output OHL (lbs.)	1190	–	–	–
20	88	Mechanical input Hp	1.03	17Q20L56	17Q20L14	L
		Thermal input Hp	1.58	17Q20R56	17Q20R14	R
		Output torque (lb. in.)	602	17Q20LR56	17Q20LR14	LR
		Mechanical output Hp	0.84	17Q20H56	17Q20H14	Hollow
		Output OHL (lbs.)	1190	–	–	–
25	70	Mechanical input Hp	0.88	17Q25L56	–	L
		Thermal input Hp	1.28	17Q25R56	–	R
		Output torque (lb. in.)	609	17Q25LR56	–	LR
		Mechanical output Hp	0.68	17Q25H56	–	Hollow
		Output OHL (lbs.)	1190	–	–	–
30	58	Mechanical input Hp	0.76	17Q30L56	–	L
		Thermal input Hp	1.20	17Q30R56	–	R
		Output torque (lb. in.)	615	17Q30LR56	–	LR
		Mechanical output Hp	0.57	17Q30H56	–	Hollow
		Output OHL (lbs.)	1190	–	–	–
40	44	Mechanical input Hp	0.60	17Q40L56	–	L
		Thermal input Hp	1.09	17Q40R56	–	R
		Output torque (lb. in.)	627	17Q40LR56	–	LR
		Mechanical output Hp	0.43	17Q40H56	–	Hollow
		Output OHL (lbs.)	1190	–	–	–
50	35	Mechanical input Hp	0.51	17Q50L56	–	L
		Thermal input Hp	0.90	17Q50R56	–	R
		Output torque (lb. in.)	608	17Q50LR56	–	LR
		Mechanical output Hp	0.34	17Q50H56	–	Hollow
		Output OHL (lbs.)	1190	–	–	–
60	29	Mechanical input Hp	0.43	17Q60L56	–	L
		Thermal input Hp	0.80	17Q60R56	–	R
		Output torque (lb. in.)	576	17Q60LR56	–	LR
		Mechanical output Hp	0.27	17Q60H56	–	Hollow
		Output OHL (lbs.)	1190	–	–	–

Note: Reducers are shipped without a mounting base. Order bolt-on base kit **17BASE** if required.

Ratings and dimensions

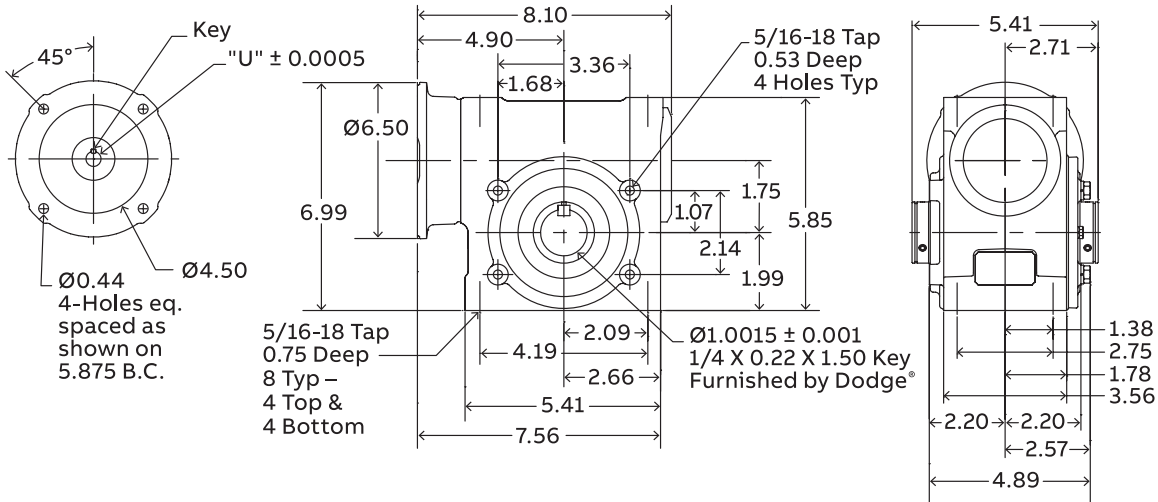
Tigear®-2 reducers with quill input – Size 17

Solid output

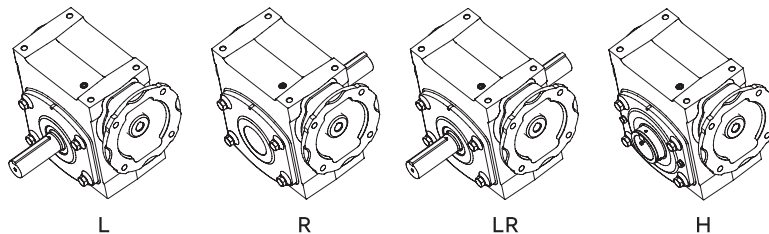


Motor frame	"U"	Key
56C	Ø0.626	3/16 sq. x 1.88 Key
140TC	Ø0.876	3/16 sq. x 1.88 Key

Hollow output



Output shaft configurations



Ratings and dimensions

Tigear®-2 reducers with separate input – Size 17

Tigear-2 reducers with separate input – Size 17

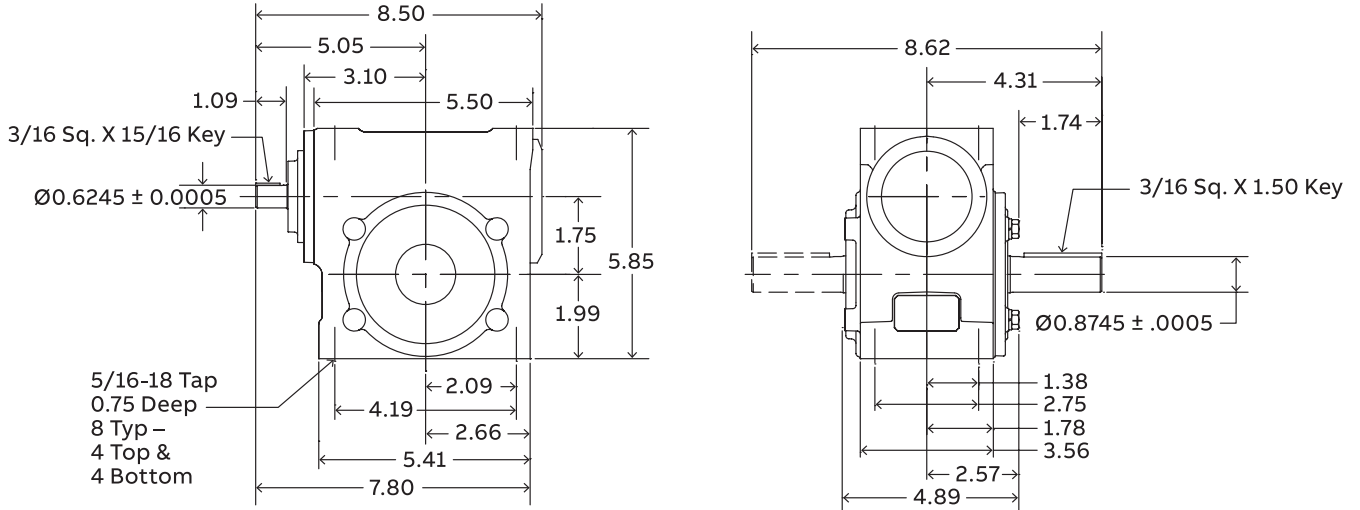
Ratio	Output RPM	Rating data		Separate reducer	Shaft position	Optional motor adapter kit	
		1750 Input RPM				56C	140TC
5	350	Mechanical input Hp	2.59	17S05L	L	1720MTR56	1720MTR14
		Thermal input Hp	3.97	17S05R	R		
		Output torque (lb. in.)	430	17S05LR	LR		
		Mechanical output Hp	2.39	17S05H	Hollow		
		Output OHL (lbs.)	1050	-	-		
7.5	233	Mechanical input Hp	2.06	17S07L	L	1720MTR56	1720MTR14
		Thermal input Hp	3.42	17S07R	R		
		Output torque (lb. in.)	500	17S07LR	LR		
		Mechanical output Hp	1.88	17S07H	Hollow		
		Output OHL (lbs.)	1190	-	-		
10	175	Mechanical input Hp	1.67	17S10L	L	1720MTR56	1720MTR14
		Thermal input Hp	2.76	17S10R	R		
		Output torque (lb. in.)	534	17S10LR	LR		
		Mechanical output Hp	1.48	17S10H	Hollow		
		Output OHL (lbs.)	1190	-	-		
15	117	Mechanical input Hp	1.27	17S15L	L	1720MTR56	1720MTR14
		Thermal input Hp	2.01	17S15R	R		
		Output torque (lb. in.)	583	17S15LR	LR		
		Mechanical output Hp	1.08	17S15H	Hollow		
		Output OHL (lbs.)	1190	-	-		
20	88	Mechanical input Hp	1.03	17S20L	L	1720MTR56	1720MTR14
		Thermal input Hp	1.58	17S20R	R		
		Output torque (lb. in.)	602	17S20LR	LR		
		Mechanical output Hp	0.84	17S20H	Hollow		
		Output OHL (lbs.)	1190	-	-		
25	70	Mechanical input Hp	0.88	17S25L	L	1720MTR56	-
		Thermal input Hp	1.28	17S25R	R		
		Output torque (lb. in.)	609	17S25LR	LR		
		Mechanical output Hp	0.68	17S25H	Hollow		
		Output OHL (lbs.)	1190	-	-		
30	58	Mechanical input Hp	0.76	17S30L	L	1720MTR56	-
		Thermal input Hp	1.20	17S30R	R		
		Output torque (lb. in.)	615	17S30LR	LR		
		Mechanical output Hp	0.57	17S30H	Hollow		
		Output OHL (lbs.)	1190	-	-		
40	44	Mechanical input Hp	0.60	17S40L	L	1720MTR56	-
		Thermal input Hp	1.09	17S40R	R		
		Output torque (lb. in.)	627	17S40LR	LR		
		Mechanical output Hp	0.43	17S40H	Hollow		
		Output OHL (lbs.)	1190	-	-		
50	35	Mechanical input Hp	0.51	17S50L	L	1720MTR56	-
		Thermal input Hp	0.90	17S50R	R		
		Output torque (lb. in.)	608	17S50LR	LR		
		Mechanical output Hp	0.34	17S50H	Hollow		
		Output OHL (lbs.)	1190	-	-		
60	29	Mechanical input Hp	0.43	17S60L	L	1720MTR56	-
		Thermal input Hp	0.80	17S60R	R		
		Output torque (lb. in.)	576	17S60LR	LR		
		Mechanical output Hp	0.27	17S60H	Hollow		
		Output OHL (lbs.)	1190	-	-		
All ratios		Input OHL (lbs)	140		One diameter from seal surface		-

Note: Tigear-2 separate reducers cannot be used with the old adaptable Tigear motor adapter kits.

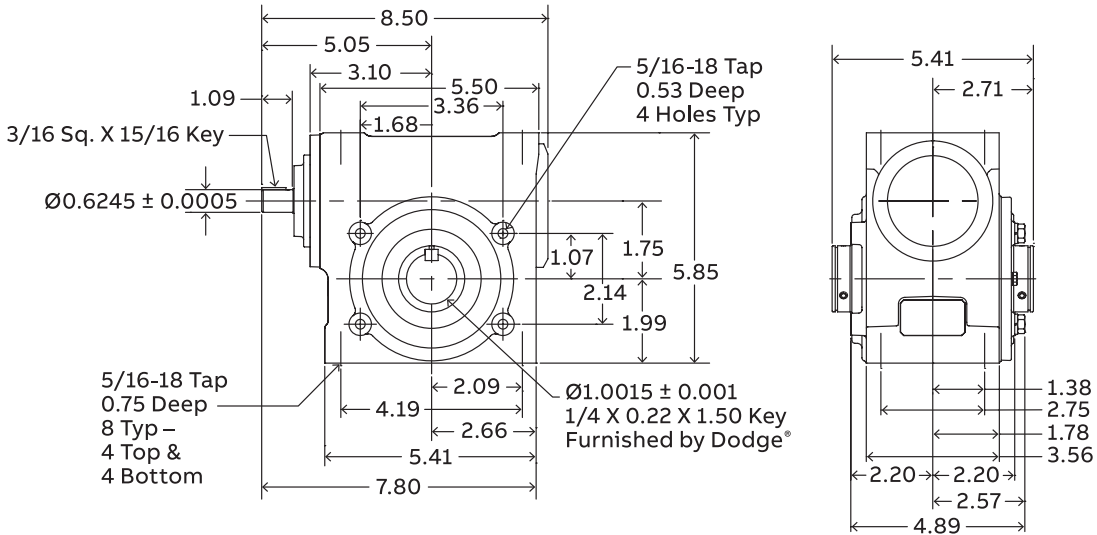
Ratings and dimensions

Tigear®-2 reducers with separate input – Size 17

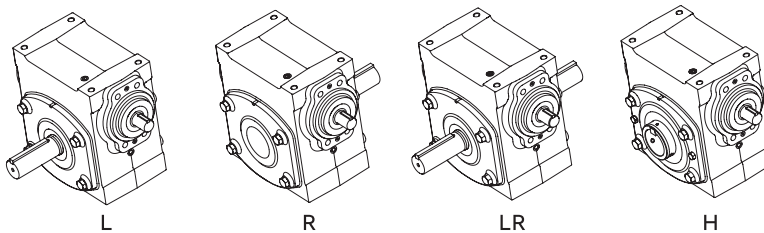
Solid output



Hollow output



Output shaft configurations



Ratings and dimensions

Tigear®-2 reducers with 3-piece coupled input – Size 17

Tigear-2 reducers with 3-piece coupled input – Size 17

3-piece coupled units include a separate reducer, 3-piece coupling and motor adapter housing assembled together.

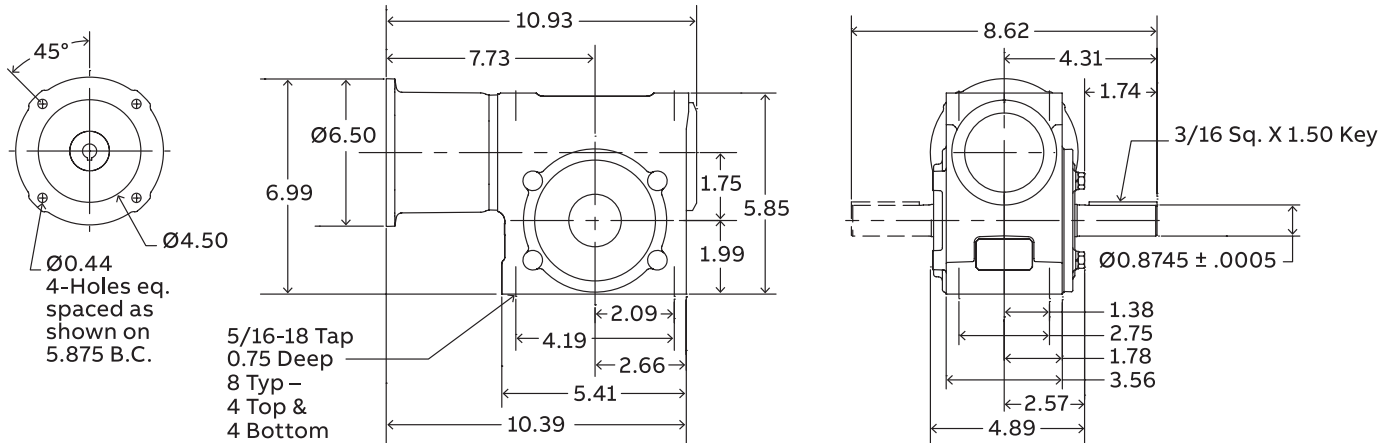
Ratio	Output RPM	Rating data		Part number		Shaft position
		1750 Input RPM	56C	140TC		
5	350	Mechanical input Hp	2.59	17A05L56	17A05L14	L
		Thermal input Hp	3.97	17A05R56	17A05R14	R
		Output torque (lb. in.)	430	17A05LR56	17A05LR14	LR
		Mechanical output Hp	2.39	17A05H56	17A05H14	Hollow
		Output OHL (lbs.)	1050	-	-	-
7.5	233	Mechanical input Hp	2.06	17A07L56	17A07L14	L
		Thermal input Hp	3.42	17A07R56	17A07R14	R
		Output torque (lb. in.)	500	17A07LR56	17A07LR14	LR
		Mechanical output Hp	1.88	17A07H56	17A07H14	Hollow
		Output OHL (lbs.)	1190	-	-	-
10	175	Mechanical input Hp	1.67	17A10L56	17A10L14	L
		Thermal input Hp	2.76	17A10R56	17A10R14	R
		Output torque (lb. in.)	534	17A10LR56	17A10LR14	LR
		Mechanical output Hp	1.48	17A10H56	17A10H14	Hollow
		Output OHL (lbs.)	1190	-	-	-
15	117	Mechanical input Hp	1.27	17A15L56	17A15L14	L
		Thermal input Hp	2.01	17A15R56	17A15R14	R
		Output torque (lb. in.)	583	17A15LR56	17A15LR14	LR
		Mechanical output Hp	1.08	17A15H56	17A15H14	Hollow
		Output OHL (lbs.)	1190	-	-	-
20	88	Mechanical input Hp	1.03	17A20L56	17A20L14	L
		Thermal input Hp	1.58	17A20R56	17A20R14	R
		Output torque (lb. in.)	602	17A20LR56	17A20LR14	LR
		Mechanical output Hp	0.84	17A20H56	17A20H14	Hollow
		Output OHL (lbs.)	1190	-	-	-
25	70	Mechanical input Hp	0.88	17A25L56	-	L
		Thermal input Hp	1.28	17A25R56	-	R
		Output torque (lb. in.)	609	17A25LR56	-	LR
		Mechanical output Hp	0.68	17A25H56	-	Hollow
		Output OHL (lbs.)	1190	-	-	-
30	58	Mechanical input Hp	0.76	17A30L56	-	L
		Thermal input Hp	1.20	17A30R56	-	R
		Output torque (lb. in.)	615	17A30LR56	-	LR
		Mechanical output Hp	0.57	17A30H56	-	Hollow
		Output OHL (lbs.)	1190	-	-	-
40	44	Mechanical input Hp	0.60	17A40L56	-	L
		Thermal input Hp	1.09	17A40R56	-	R
		Output torque (lb. in.)	627	17A40LR56	-	LR
		Mechanical output Hp	0.43	17A40H56	-	Hollow
		Output OHL (lbs.)	1190	-	-	-
50	35	Mechanical input Hp	0.51	17A50L56	-	L
		Thermal input Hp	0.90	17A50R56	-	R
		Output torque (lb. in.)	608	17A50LR56	-	LR
		Mechanical output Hp	0.34	17A50H56	-	Hollow
		Output OHL (lbs.)	1190	-	-	-
60	29	Mechanical input Hp	0.43	17A60L56	-	L
		Thermal input Hp	0.80	17A60R56	-	R
		Output torque (lb. in.)	576	17A60LR56	-	LR
		Mechanical output Hp	0.27	17A60H56	-	Hollow
		Output OHL (lbs.)	1190	-	-	-

Note: Reducers are shipped without a mounting base. Order bolt-on base kit **17BASE** if required.

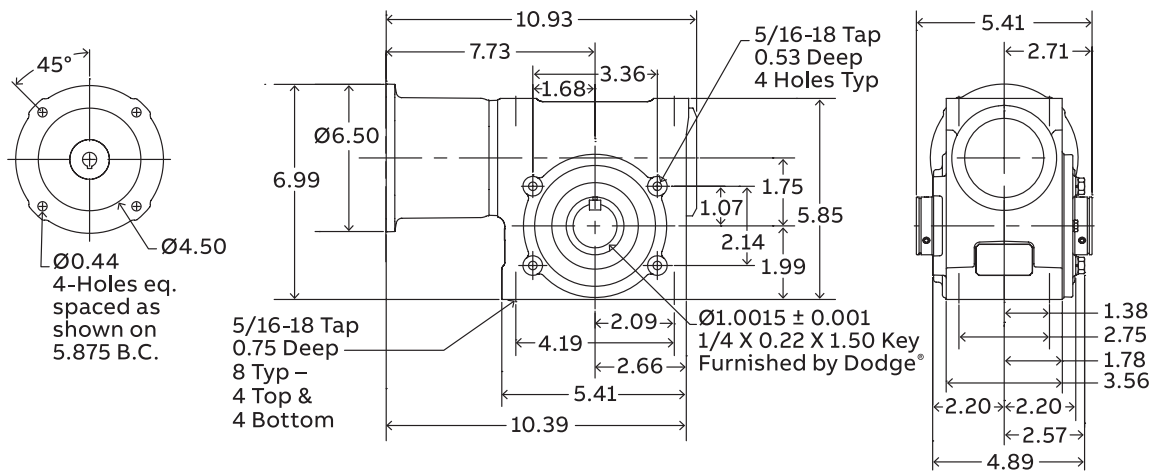
Ratings and dimensions

Tigear®-2 reducers with 3-piece coupled input – Size 17

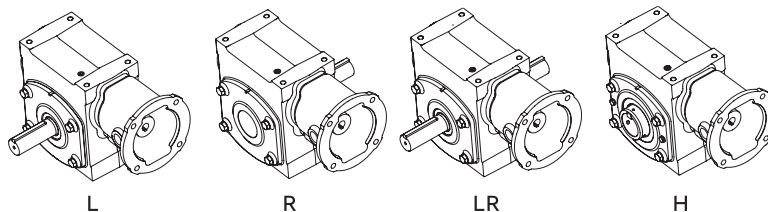
Solid output



Hollow output



Output shaft configurations



Ratings and dimensions

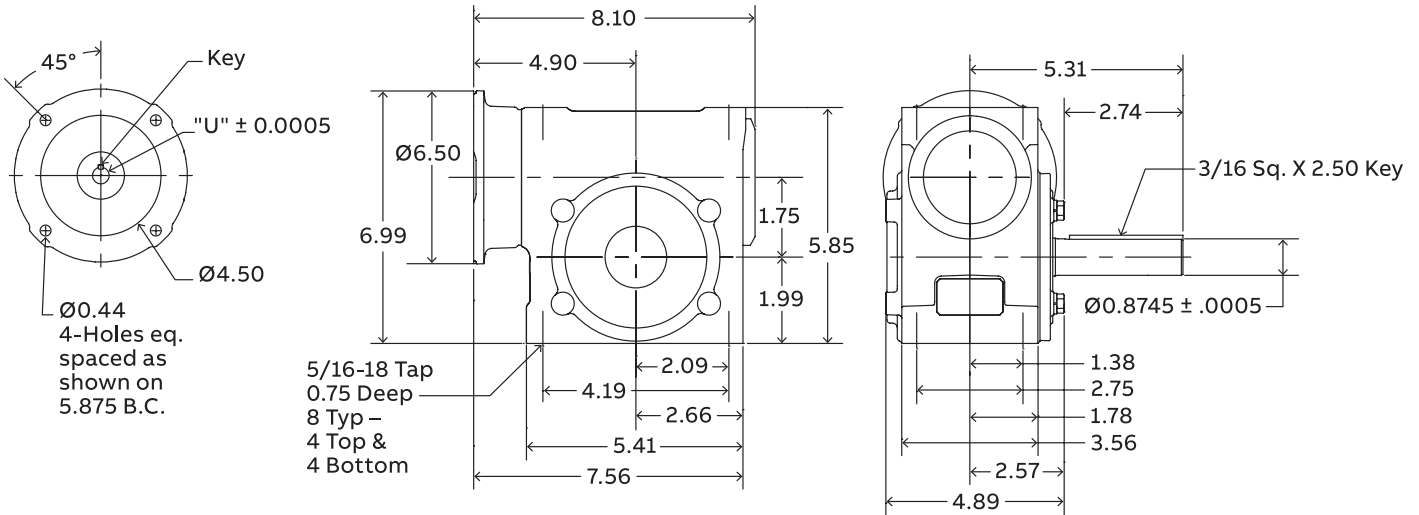
Tigear®-2 reducers with quill input – Size 176

Size 17 with 1.00" extended length output shaft

Motor frame	Shaft position	Ratio									
		5	7.5	10	15	20	25	30	40	50	60
56C	L	176Q05L56	176Q07L56	176Q10L56	176Q15L56	176Q20L56	176Q25L56	176Q30L56	176Q40L56	176Q50L56	176Q60L56
	R	176Q05R56	176Q07R56	176Q10R56	176Q15R56	176Q20R56	176Q25R56	176Q30R56	176Q40R56	176Q50R56	176Q60R56
140TC	L	176Q05L14	176Q07L14	176Q10L14	176Q15L14	176Q20L14	-	-	-	-	-
	R	176Q05R14	176Q07R14	176Q10R14	176Q15R14	176Q20R14	-	-	-	-	-

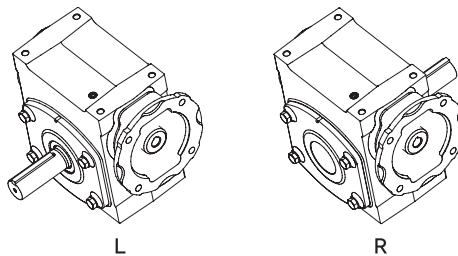
Note: Reducers are shipped without a mounting base. Order bolt-on base kit 17BASE if required.

Solid output



Motor frame	"U"	Key
56C	Ø0.626	3/16 sq. x 2.25 Key
140TC	Ø0.876	3/16 sq. x 2.25 Key

Output shaft configurations



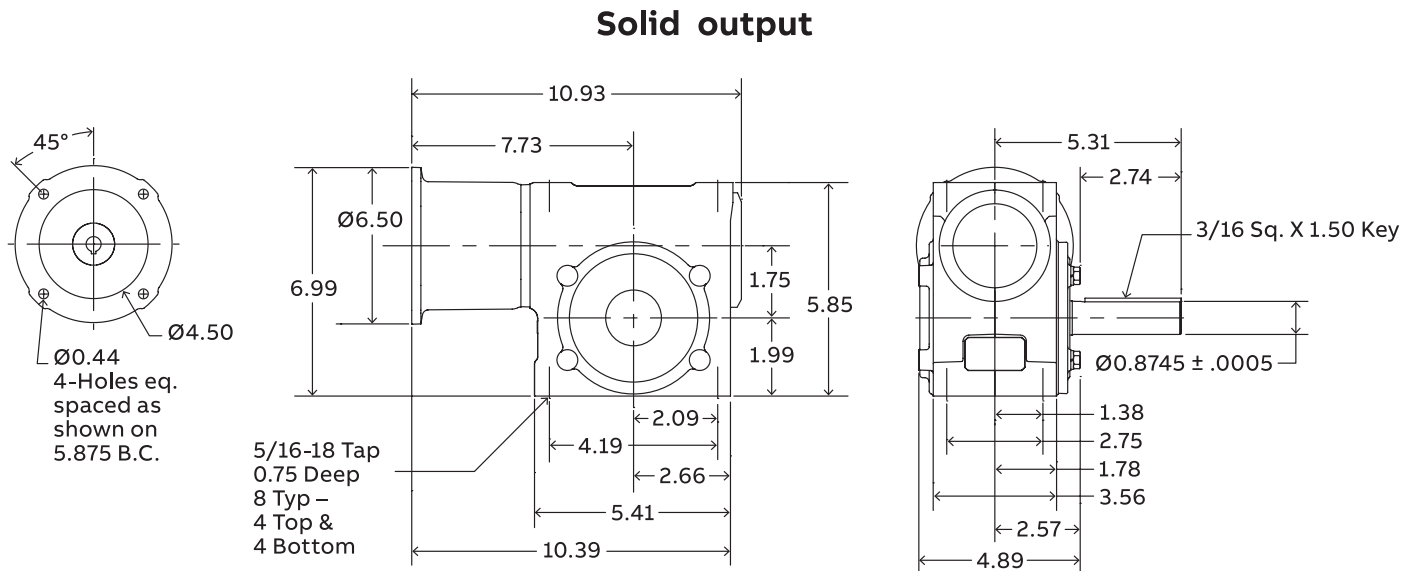
Ratings and dimensions

Tigear®-2 reducers with 3-piece coupled input – Size 176

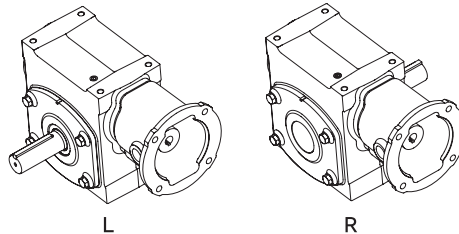
Size 17 with 1.00" extended length output shaft

Motor frame	Shaft position	Ratio									
		5	7.5	10	15	20	25	30	40	50	60
56C	L	176A05L56	176A07L56	176A10L56	176A15L56	176A20L56	176A25L56	176A30L56	176A40L56	176A50L56	176A60L56
	R	176A05R56	176A07R56	176A10R56	176A15R56	176A20R56	176A25R56	176A30R56	176A40R56	176A50R56	176A60R56
140TC	L	176A05L14	176A07L14	176A10L14	176A15L14	176A20L14	-	-	-	-	-
	R	176A05R14	176A07R14	176A10R14	176A15R14	176A20R14	-	-	-	-	-

Note: Reducers are shipped without a mounting base. Order bolt-on base kit **17BASE** if required.



Output shaft configurations



Ratings and dimensions

Tigear®-2 reducers with quill input – Size 20

Tigear-2 reducers with quill input – Size 20

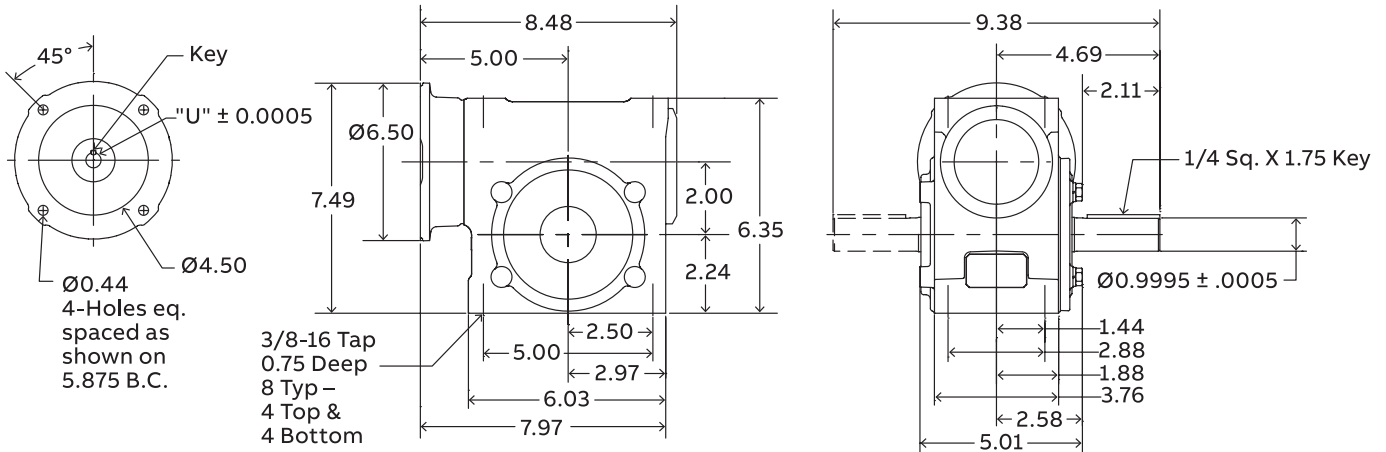
Ratio	Output RPM	Rating data		Part number		Shaft position
		1750 Input RPM	56C	140TC		
4	438				Available upon request	
		Mechanical input Hp	3.47	20Q05L56	20Q05L14	L
5	350	Thermal input Hp	4.9	20Q05R56	20Q05R14	R
		Output torque (lb. in.)	581	20Q05LR56	20Q05LR14	LR
		Mechanical output Hp	3.23	20Q05H56	20Q05H14	Hollow
		Output OHL (lbs.)	1380	20Q05HA56	20Q05HA14	Hollow alt.
7.5	233	Mechanical input Hp	2.78	20Q07L56	20Q07L14	L
		Thermal input Hp	4.15	20Q07R56	20Q07R14	R
		Output torque (lb. in.)	678	20Q07LR56	20Q07LR14	LR
		Mechanical output Hp	2.54	20Q07H56	20Q07H14	Hollow
10	175	Output OHL (lbs.)	1560	20Q07HA56	20Q07HA14	Hollow alt.
		Mechanical input Hp	2.25	20Q10L56	20Q10L14	L
		Thermal input Hp	3.25	20Q10R56	20Q10R14	R
		Output torque (lb. in.)	725	20Q10LR56	20Q10LR14	LR
12.7	138	Mechanical output Hp	2.01	20Q10H56	20Q10H14	Hollow
		Output OHL (lbs.)	1560	20Q10HA56	20Q10HA14	Hollow alt.
		Mechanical input Hp	1.90	20Q12L56	20Q12L14	L
		Thermal input Hp	2.83	20Q12R56	20Q12R14	R
15	117	Output torque (lb. in.)	770	20Q12LR56	20Q12LR14	LR
		Mechanical output Hp	1.69	20Q12H56	20Q12H14	Hollow
		Output OHL (lbs.)	1560	20Q12HA56	20Q12HA14	Hollow alt.
		Mechanical input Hp	1.69	20Q15L56	20Q15L14	L
18	97	Thermal input Hp	2.52	20Q15R56	20Q15R14	R
		Output torque (lb. in.)	790	20Q15LR56	20Q15LR14	LR
		Mechanical output Hp	1.46	20Q15H56	20Q15H14	Hollow
		Output OHL (lbs.)	1560	20Q15HA56	20Q15HA14	Hollow alt.
20	88	Mechanical input Hp	1.46	20Q18L56	20Q18L14	L
		Thermal input Hp	2.12	20Q18R56	20Q18R14	R
		Output torque (lb. in.)	795	20Q18LR56	20Q18LR14	LR
		Mechanical output Hp	1.23	20Q18H56	20Q18H14	Hollow
25	70	Output OHL (lbs.)	1560	20Q18HA56	20Q18HA14	Hollow alt.
		Mechanical input Hp	1.34	20Q20L56	20Q20L14	L
		Thermal input Hp	1.99	20Q20R56	20Q20R14	R
		Output torque (lb. in.)	796	20Q20LR56	20Q20LR14	LR
30	58	Mechanical output Hp	1.11	20Q20H56	20Q20H14	Hollow
		Output OHL (lbs.)	1560	20Q20HA56	20Q20HA14	Hollow alt.
		Mechanical input Hp	1.11	20Q25L56	20Q25L14	L
		Thermal input Hp	1.59	20Q25R56	20Q25R14	R
40	44	Output torque (lb. in.)	788	20Q25LR56	20Q25LR14	LR
		Mechanical output Hp	0.88	20Q25H56	20Q25H14	Hollow
		Output OHL (lbs.)	1560	20Q25HA56	20Q25HA14	Hollow alt.
		Mechanical input Hp	0.96	20Q30L56		L
50	35	Thermal input Hp	1.49	20Q30R56		R
		Output torque (lb. in.)	802	20Q30LR56	-	LR
		Mechanical output Hp	0.74	20Q30H56		Hollow
		Output OHL (lbs.)	1560	20Q30HA56		Hollow alt.
60	29	Mechanical input Hp	0.76	20Q40L56		L
		Thermal input Hp	1.29	20Q40R56		R
		Output torque (lb. in.)	801	20Q40LR56	-	LR
		Mechanical output Hp	0.56	20Q40H56		Hollow
60	29	Output OHL (lbs.)	1560	20Q40HA56		Hollow alt.
		Mechanical input Hp	0.64	20Q50L56		L
		Thermal input Hp	1.09	20Q50R56		R
		Output torque (lb. in.)	787	20Q50LR56	-	LR
60	29	Mechanical output Hp	0.44	20Q50H56		Hollow
		Output OHL (lbs.)	1560	20Q50HA56		Hollow alt.
		Mechanical input Hp	0.56	20Q60L56		L
		Thermal input Hp	0.96	20Q60R56		R
60	29	Output torque (lb. in.)	767	20Q60LR56	-	LR
		Mechanical output Hp	0.36	20Q60H56		Hollow
		Output OHL (lbs.)	1560	20Q60HA56		Hollow alt.

Note: Reducers are shipped without a mounting base. Order bolt-on base kit **20BASE** if required.

Ratings and dimensions

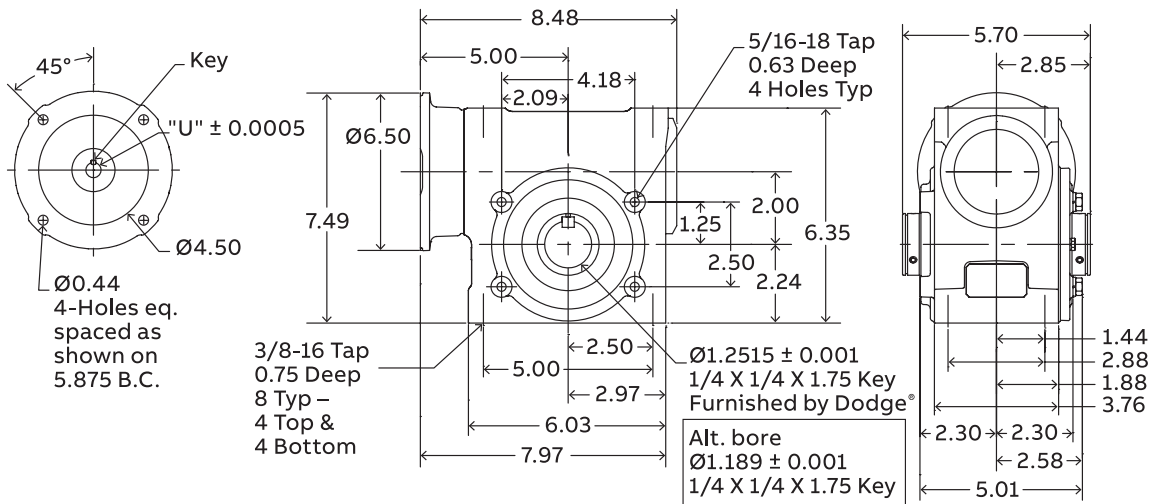
Tigear®-2 reducers with quill input – Size 20

Solid output

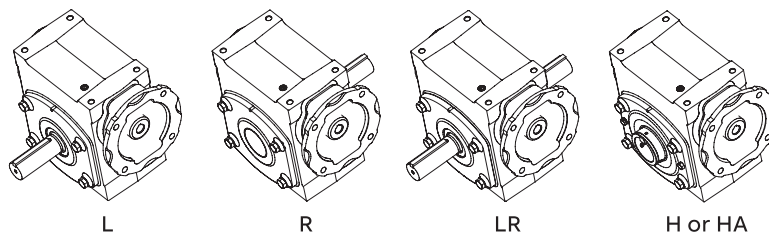


Motor frame	"U"	Key
56C	Ø0.626	3/16 sq. x 1.88 Key
140TC	Ø0.876	3/16 sq. x 1.88 Key

Hollow output



Output shaft configurations



Ratings and dimensions

Tigear®-2 reducers with separate input – Size 20

Tigear-2 reducers with separate input – Size 20

Ratio	Output RPM	Rating data	Separate reducer	Shaft position	Optional motor adapter kit		
					1750 Input RPM	56C	140TC
4	438	Mechanical input Hp	3.47	20S05L	L	Available upon request	
		Thermal input Hp	4.9	20S05R	R		
5	350	Output torque (lb. in.)	581	20S05LR	LR	1720MTR56	1720MTR14
		Mechanical output Hp	3.23	20S05H	Hollow		
		Output OHL (lbs.)	1380	20S05HA	Hollow alt.		
		Mechanical input Hp	2.78	20S07L	L		
7.5	233	Thermal input Hp	4.15	20S07R	R		
		Output torque (lb. in.)	678	20S07LR	LR	1720MTR56	1720MTR14
		Mechanical output Hp	2.54	20S07H	Hollow		
		Output OHL (lbs.)	1560	20S07HA	Hollow alt.		
10	175	Mechanical input Hp	2.25	20S10L	L		
		Thermal input Hp	3.25	20S10R	R		
		Output torque (lb. in.)	725	20S10LR	LR	1720MTR56	1720MTR14
		Mechanical output Hp	2.01	20S10H	Hollow		
12.7	138	Output OHL (lbs.)	1560	20S10HA	Hollow alt.		
		Mechanical input Hp	1.90	20S12L	L		
		Thermal input Hp	2.83	20S12R	R		
		Output torque (lb. in.)	770	20S12LR	LR	1720MTR56	1720MTR14
Mechanical output Hp	1.69	20S12H	Hollow				
15	117	Output OHL (lbs.)	1560	20S12HA	Hollow alt.		
		Mechanical input Hp	1.69	20S15L	L		
		Thermal input Hp	2.52	20S15R	R		
		Output torque (lb. in.)	790	20S15LR	LR	1720MTR56	1720MTR14
Mechanical output Hp	1.46	20S15H	Hollow				
18	97	Output OHL (lbs.)	1560	20S15HA	Hollow alt.		
		Mechanical input Hp	1.46	20S18L	L		
		Thermal input Hp	2.12	20S18R	R		
		Output torque (lb. in.)	795	20S18LR	LR	1720MTR56	1720MTR14
Mechanical output Hp	1.23	20S18H	Hollow				
20	88	Output OHL (lbs.)	1560	20S18HA	Hollow alt.		
		Mechanical input Hp	1.34	20S20L	L		
		Thermal input Hp	1.99	20S20R	R		
		Output torque (lb. in.)	796	20S20LR	LR	1720MTR56	1720MTR14
Mechanical output Hp	1.11	20S20H	Hollow				
25	70	Output OHL (lbs.)	1560	20S20HA	Hollow alt.		
		Mechanical input Hp	1.11	20S25L	L		
		Thermal input Hp	1.59	20S25R	R		
		Output torque (lb. in.)	788	20S25LR	LR	1720MTR56	1720MTR14
Mechanical output Hp	0.88	20S25H	Hollow				
30	58	Output OHL (lbs.)	1560	20S25HA	Hollow alt.		
		Mechanical input Hp	0.96	20S30L	L		
		Thermal input Hp	1.49	20S30R	R		
		Output torque (lb. in.)	802	20S30LR	LR	1720MTR56	-
Mechanical output Hp	0.74	20S30H	Hollow				
40	44	Output OHL (lbs.)	1560	20S30HA	Hollow alt.		
		Mechanical input Hp	0.76	20S40L	L		
		Thermal input Hp	1.29	20S40R	R		
		Output torque (lb. in.)	801	20S40LR	LR	1720MTR56	-
Mechanical output Hp	0.56	20S40H	Hollow				
50	35	Output OHL (lbs.)	1560	20S40HA	Hollow alt.		
		Mechanical input Hp	0.64	20S50L	L		
		Thermal input Hp	1.09	20S50R	R		
		Output torque (lb. in.)	787	20S50LR	LR	1720MTR56	-
Mechanical output Hp	0.44	20S50H	Hollow				
60	29	Output OHL (lbs.)	1560	20S50HA	Hollow alt.		
		Mechanical input Hp	0.56	20S60L	L		
		Thermal input Hp	0.96	20S60R	R		
		Output torque (lb. in.)	767	20S60LR	LR	1720MTR56	-
Mechanical output Hp	0.36	20S60H	Hollow				
All ratios		Input OHL (lbs.)	200	One diameter from seal surface		-	

Note: Tigear-2 separate reducers cannot be used with the old adaptable Tigear motor adapter kits.

Features and benefits

Specification / How to order / Nomenclature

Selection procedures / Hp / Service factor

Ratings / Dimensions

Washdown E-Z Klean®

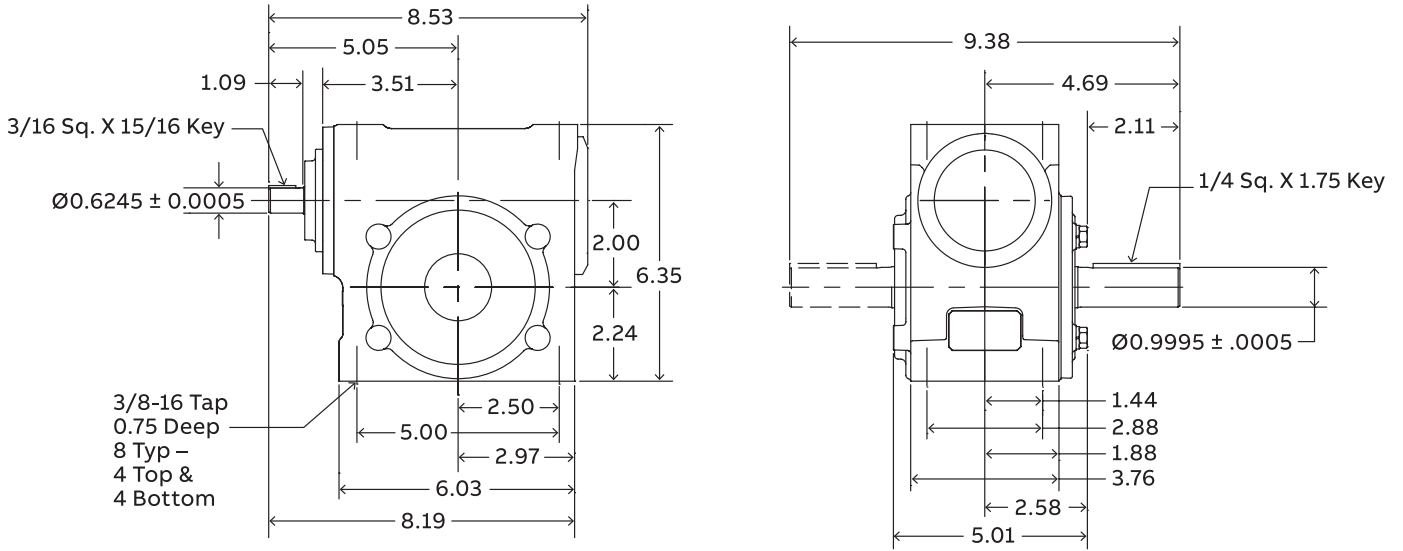
Washdown Food Safe

Food Safe dimensions

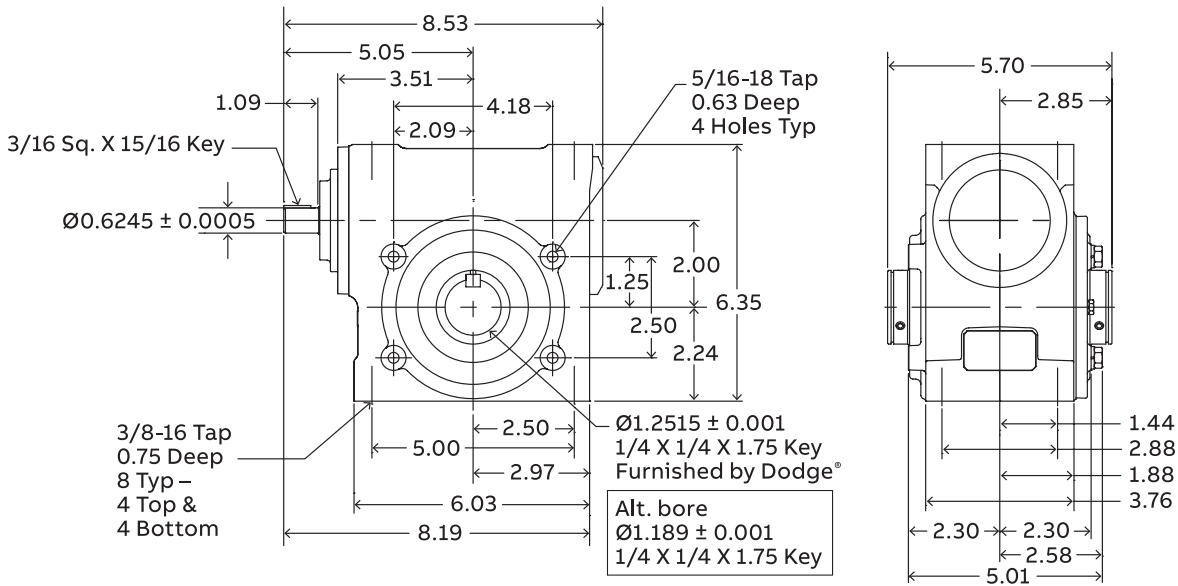
Ratings and dimensions

Tigear®-2 reducers with separate input – Size 20

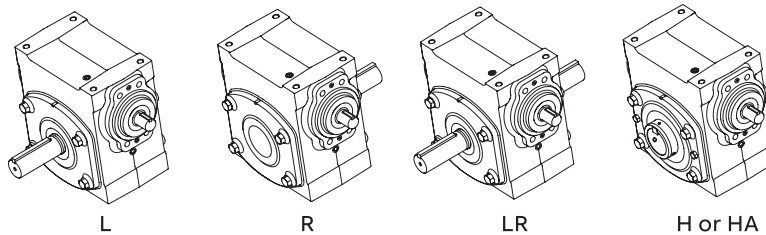
Solid output



Hollow output



Output shaft configurations



Ratings and dimensions

Tigear®-2 reducers with 3-piece coupled input – Size 20

Tigear-2 reducers with 3-piece coupled input – Size 20

3-piece coupled units include a separate reducer, 3-piece coupling and motor adapter housing assembled together.

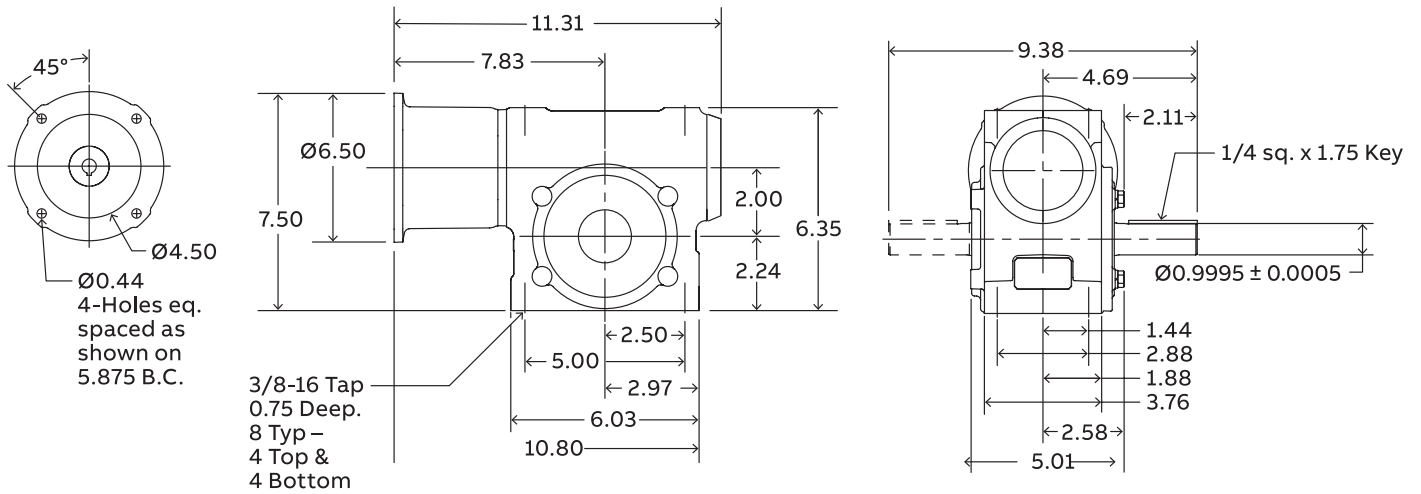
Ratio	Output RPM	Rating data		Part number		Shaft position
		1750 Input RPM	56C	140TC		
4	438				Available Upon Request	
		Mechanical input Hp	3.47	20A05L56	20A05L14	L
		Thermal input Hp	4.90	20A05R56	20A05R14	R
5	350	Output torque (lb. in.)	581	20A05LR56	20A05LR14	LR
		Mechanical output Hp	3.23	20A05H56	20A05H14	Hollow
		Output OHL (lbs.)	1380	20A05HA56	20A05HA14	Hollow alt.
7.5	233	Mechanical input Hp	2.78	20A07L56	20A07L14	L
		Thermal input Hp	4.15	20A07R56	20A07R14	R
		Output torque (lb. in.)	678	20A07LR56	20A07LR14	LR
		Mechanical output Hp	2.54	20A07H56	20A07H14	Hollow
		Output OHL (lbs.)	1560	20A07HA56	20A07HA14	Hollow alt.
		Mechanical input Hp	2.25	20A10L56	20A10L14	L
10	175	Thermal input Hp	3.25	20A10R56	20A10R14	R
		Output torque (lb. in.)	725	20A10LR56	20A10LR14	LR
		Mechanical output Hp	2.01	20A10H56	20A10H14	Hollow
		Output OHL (lbs.)	1560	20A10HA56	20A10HA14	Hollow alt.
		Mechanical input Hp	1.90	20A12L56	20A12L14	L
		Thermal input Hp	2.83	20A12R56	20A12R14	R
12.7	138	Output torque (lb. in.)	770	20A12LR56	20A12LR14	LR
		Mechanical output Hp	1.69	20A12H56	20A12H14	Hollow
		Output OHL (lbs.)	1560	20A12HA56	20A12HA14	Hollow alt.
		Mechanical input Hp	1.69	20A15L56	20A15L14	L
		Thermal input Hp	2.52	20A15R56	20A15R14	R
		Output torque (lb. in.)	790	20A15LR56	20A15LR14	LR
15	117	Mechanical output Hp	1.46	20A15H56	20A15H14	Hollow
		Output OHL (lbs.)	1560	20A15HA56	20A15HA14	Hollow alt.
		Mechanical input Hp	1.46	20A18L56	20A18L14	L
		Thermal input Hp	2.12	20A18R56	20A18R14	R
		Output torque (lb. in.)	795	20A18LR56	20A18LR14	LR
		Mechanical output Hp	1.23	20A18H56	20A18H14	Hollow
		Output OHL (lbs.)	1560	20A18HA56	20A18HA14	Hollow alt.
		Mechanical input Hp	1.34	20A20L56	20A20L14	L
		Thermal input Hp	1.99	20A20R56	20A20R14	R
20	88	Output torque (lb. in.)	796	20A20LR56	20A20LR14	LR
		Mechanical output Hp	1.11	20A20H56	20A20H14	Hollow
		Output OHL (lbs.)	1560	20A20HA56	20A20HA14	Hollow alt.
		Mechanical input Hp	1.11	20A25L56	20A25L14	L
		Thermal input Hp	1.59	20A25R56	20A25R14	R
		Output torque (lb. in.)	788	20A25LR56	20A25LR14	LR
25	70	Mechanical output Hp	0.88	20A25H56	20A25H14	Hollow
		Output OHL (lbs.)	1560	20A25HA56	20A25HA14	Hollow alt.
		Mechanical input Hp	0.96	20A30L56		L
		Thermal input Hp	1.49	20A30R56		R
		Output torque (lb. in.)	802	20A30LR56	-	LR
		Mechanical output Hp	0.74	20A30H56		Hollow
		Output OHL (lbs.)	1560	20A30HA56		Hollow alt.
		Mechanical input Hp	0.76	20A40L56		L
		Thermal input Hp	1.29	20A40R56		R
40	44	Output torque (lb. in.)	801	20A40LR56	-	LR
		Mechanical output Hp	0.56	20A40H56		Hollow
		Output OHL (lbs.)	1560	20A40HA56		Hollow alt.
		Mechanical input Hp	0.64	20A50L56		L
		Thermal input Hp	1.09	20A50R56		R
		Output torque (lb. in.)	787	20A50LR56	-	LR
50	35	Mechanical output Hp	0.44	20A50H56		Hollow
		Output OHL (lbs.)	1560	20A50HA56		Hollow alt.
		Mechanical input Hp	0.56	20A60L56		L
		Thermal input Hp	0.96	20A60R56		R
		Output torque (lb. in.)	767	20A60LR56	-	LR
		Mechanical output Hp	0.36	20A60H56		Hollow
60	29	Output OHL (lbs.)	1560	20A60HA56		Hollow alt.

Note: Reducers are shipped without a mounting base. Order bolt-on base kit **20BASE** if required.

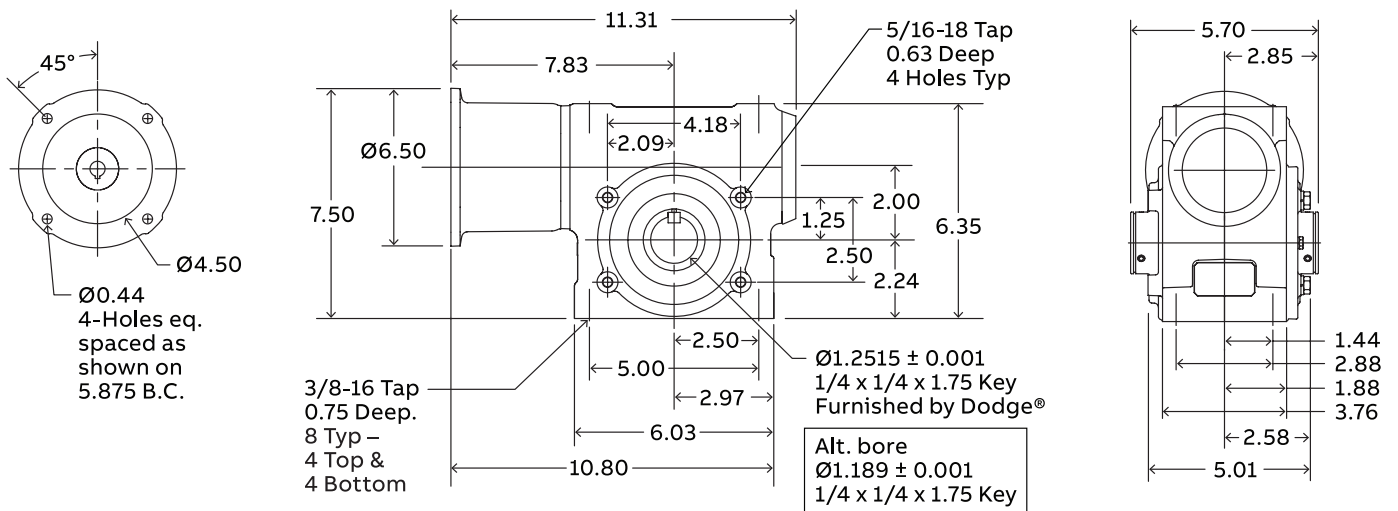
Ratings and dimensions

Tigear®-2 reducers with 3-piece coupled input – Size 20

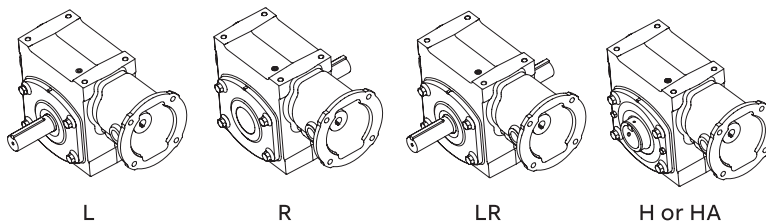
Solid output



Hollow output



Output shaft configurations



Ratings and dimensions

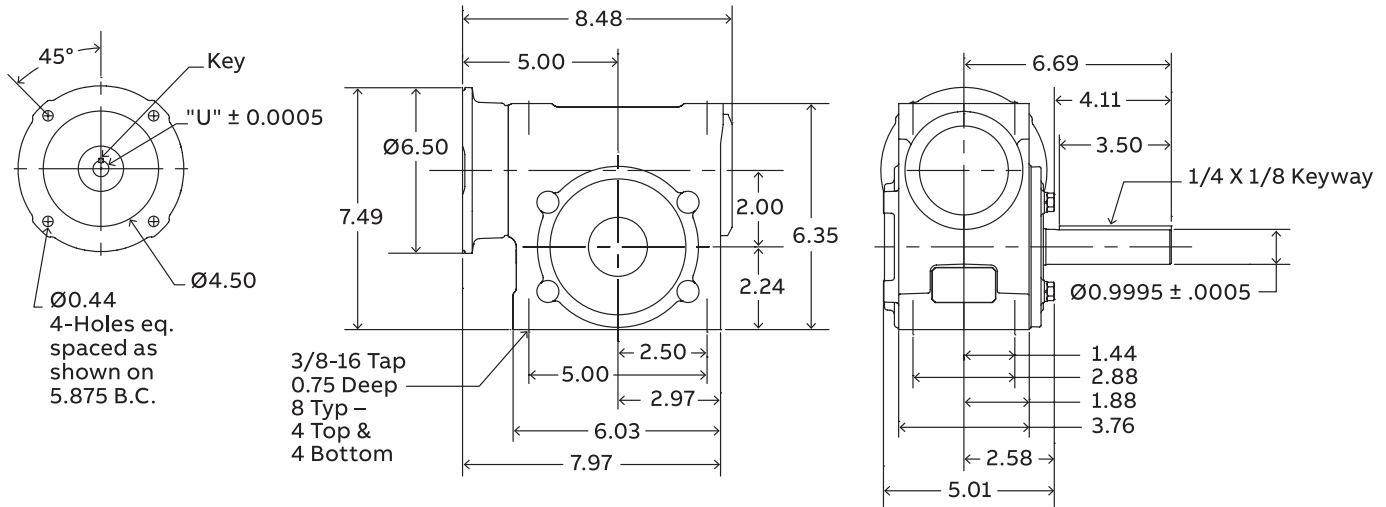
Tigear®-2 reducers with quill input – Size 202

Size 20 with 2.00" extended length output shaft

Motor frame	Shaft position	Ratio									
		5	7.5	10	15	20	25	30	40	50	60
56C	L	202Q05L56	202Q07L56	202Q10L56	202Q15L56	202Q20L56	202Q25L56	202Q30L56	202Q40L56	202Q50L56	202Q60L56
	R	202Q05R56	202Q07R56	202Q10R56	202Q15R56	202Q20R56	202Q25R56	202Q30R56	202Q40R56	202Q50R56	202Q60R56
140TC	L	202Q05L14	202Q07L14	202Q10L14	202Q15L14	202Q20L14	202Q25L14	-	-	-	-
	R	202Q05R14	202Q07R14	202Q10R14	202Q15R14	202Q20R14	202Q25R14	-	-	-	-

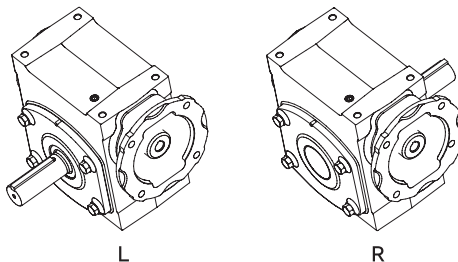
Note: Reducers are shipped without a mounting base. Order bolt-on base kit 20BASE if required.

Solid output



Motor frame	"U"	Key
56C	Ø0.626	3/16 sq. x 1.88 Key
140TC	Ø0.876	3/16 sq. x 1.88 Key

Output shaft configurations



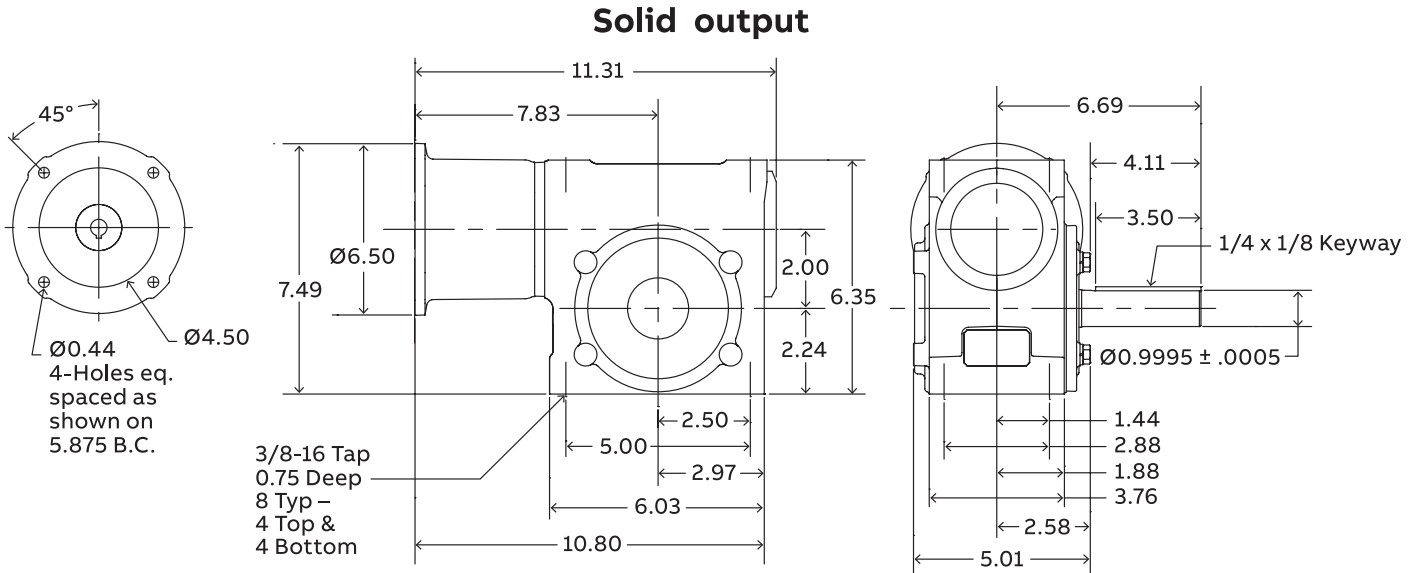
Ratings and dimensions

Tigear®-2 reducers with 3-piece coupled input – Size 202

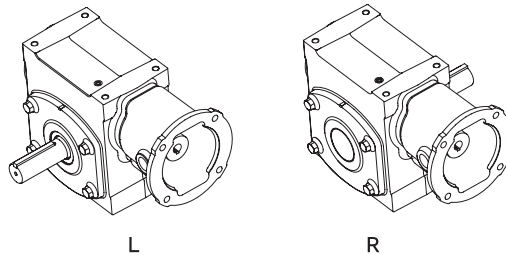
Size 20 with 2.00" extended length output shaft

Motor frame	Shaft position											Ratio
		5	7.5	10	15	20	25	30	40	50	60	
56C	L	202A05L56	202A07L56	202A10L56	202A15L56	202A20L56	202A25L56	202A30L56	202A40L56	202A50L56	202A60L56	
	R	202A05R56	202A07R56	202A10R56	202A15R56	202A20R56	202A25R56	202A30R56	202A40R56	202A50R56	202A60R56	
140TC	L	202A05L14	202A07L14	202A10L14	202A15L14	202A20L14	-	-	-	-	-	-
	R	202A05R14	202A07R14	202A10R14	202A15R14	202A20R14	-	-	-	-	-	-

Note: Reducers are shipped without a mounting base. Order bolt-on base kit **20BASE** if required.



Output shaft configurations



Ratings and dimensions

Tigear®-2 reducers with quill input – Size 21B

Tigear-2 reducers with quill input – Size 21B

Ratio	Output RPM	Rating data		Part number		Shaft position
		1750 Input RPM	56C	140TC		
4	438				Available upon request	
		Mechanical input Hp	3.47	21BQ05L56	21BQ05L14	L
5	350	Thermal input Hp	4.9	21BQ05R56	21BQ05R14	R
		Output torque (lb. in.)	581	21BQ05LR56	21BQ05LR14	LR
		Mechanical output Hp	3.23			
		Output OHL (lbs.)	1380			
7.5	233	Mechanical input Hp	2.78	21BQ07L56	21BQ07L14	L
		Thermal input Hp	4.15	21BQ07R56	21BQ07R14	R
		Output torque (lb. in.)	678	21BQ07LR56	21BQ07LR14	LR
		Mechanical output Hp	2.54			
10	175	Output OHL (lbs.)	1560			
		Mechanical input Hp	2.25	21BQ10L56	21BQ10L14	L
		Thermal input Hp	3.25	21BQ10R56	21BQ10R14	R
		Output torque (lb. in.)	725	21BQ10LR56	21BQ10LR14	LR
12.7	138	Mechanical output Hp	2.01			
		Output OHL (lbs.)	1560			
		Mechanical input Hp	1.90	21BQ12L56	21BQ12L14	L
		Thermal input Hp	2.83	21BQ12R56	21BQ12R14	R
15	117	Output torque (lb. in.)	770	21BQ12LR56	21BQ12LR14	LR
		Mechanical output Hp	1.69			
		Output OHL (lbs.)	1560			
		Mechanical input Hp	1.69	21BQ15L56	21BQ15L14	L
18	97	Thermal input Hp	2.52	21BQ15R56	21BQ15R14	R
		Output torque (lb. in.)	790	21BQ15LR56	21BQ15LR14	LR
		Mechanical output Hp	1.46			
		Output OHL (lbs.)	1560			
20	88	Mechanical input Hp	1.46	21BQ18L56	21BQ18L14	L
		Thermal input Hp	2.12	21BQ18R56	21BQ18R14	R
		Output torque (lb. in.)	795	21BQ18LR56	21BQ18LR14	LR
		Mechanical output Hp	1.23			
25	70	Output OHL (lbs.)	1560			
		Mechanical input Hp	1.34	21BQ20L56	21BQ20L14	L
		Thermal input Hp	1.99	21BQ20R56	21BQ20R14	R
		Output torque (lb. in.)	796	21BQ20LR56	21BQ20LR14	LR
30	58	Mechanical output Hp	1.11			
		Output OHL (lbs.)	1560			
		Mechanical input Hp	1.11	21BQ25L56	21BQ25L14	L
		Thermal input Hp	1.59	21BQ25R56	21BQ25R14	R
40	44	Output torque (lb. in.)	788	21BQ25LR56	21BQ25LR14	LR
		Mechanical output Hp	0.88			
		Output OHL (lbs.)	1560			
		Mechanical input Hp	0.96	21BQ30L56		L
50	35	Thermal input Hp	1.49	21BQ30R56		R
		Output torque (lb. in.)	802	21BQ30LR56	-	LR
		Mechanical output Hp	0.74			
		Output OHL (lbs.)	1560			
60	29	Mechanical input Hp	0.76	21BQ40L56		L
		Thermal input Hp	1.29	21BQ40R56		R
		Output torque (lb. in.)	801	21BQ40LR56	-	LR
		Mechanical output Hp	0.56			
50	35	Output OHL (lbs.)	1560			
		Mechanical input Hp	0.64	21BQ50L56		L
		Thermal input Hp	1.09	21BQ50R56		R
		Output torque (lb. in.)	787	21BQ50LR56	-	LR
60	29	Mechanical output Hp	0.44			
		Output OHL (lbs.)	1560			
		Mechanical input Hp	0.56	21BQ60L56		L
		Thermal input Hp	0.96	21BQ60R56		R
60	29	Output torque (lb. in.)	767	21BQ60LR56	-	LR
		Mechanical output Hp	0.36			
		Output OHL (lbs.)	1560			

Note: Reducers are shipped without a mounting base. Order bolt-on base kit 21BBASE if required.

Features and benefits

Specification / How to order / Nomenclature

Selection procedures / Hp / Service factor

Ratings / Dimensions

Washdown E-Z Klean®

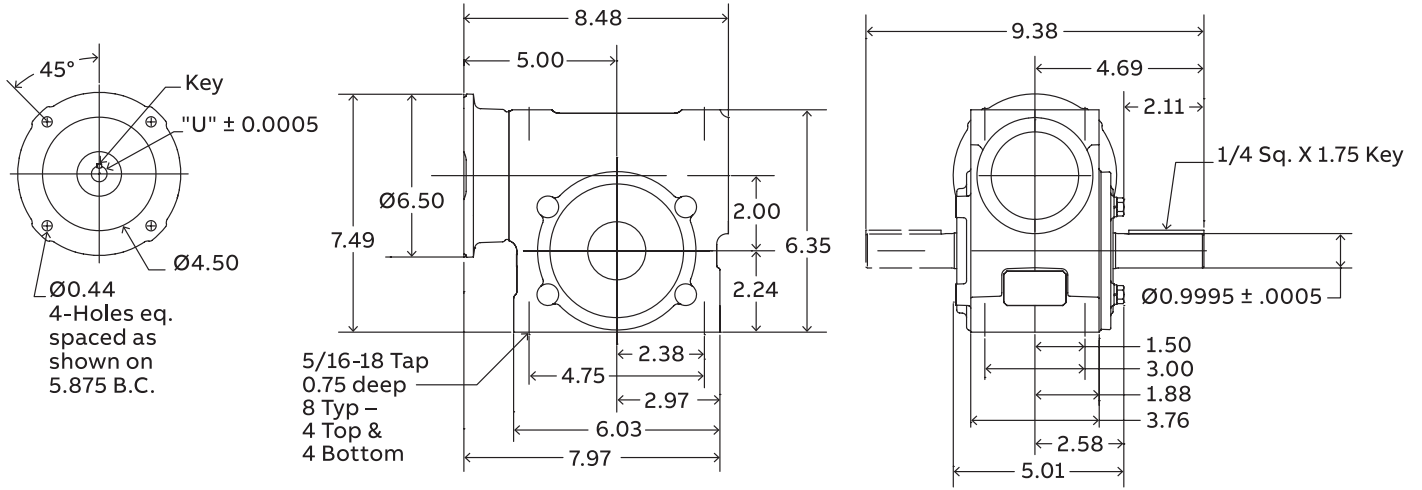
Washdown Food Safe

Food Safe dimensions

Ratings and dimensions

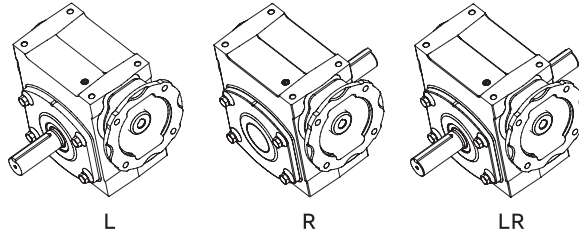
Tigear®-2 reducers with quill input – Size 21B

Solid output



Motor frame	"U"	Key
56C	ø0.626	3/16 sq. x 1.25 Key
140TC	ø0.876	3/16 sq. x 1.25 Key

Output shaft configurations



Ratings and dimensions

Tigear®-2 reducers with separate input – Size 21B

Tigear-2 reducers with separate input – Size 21B

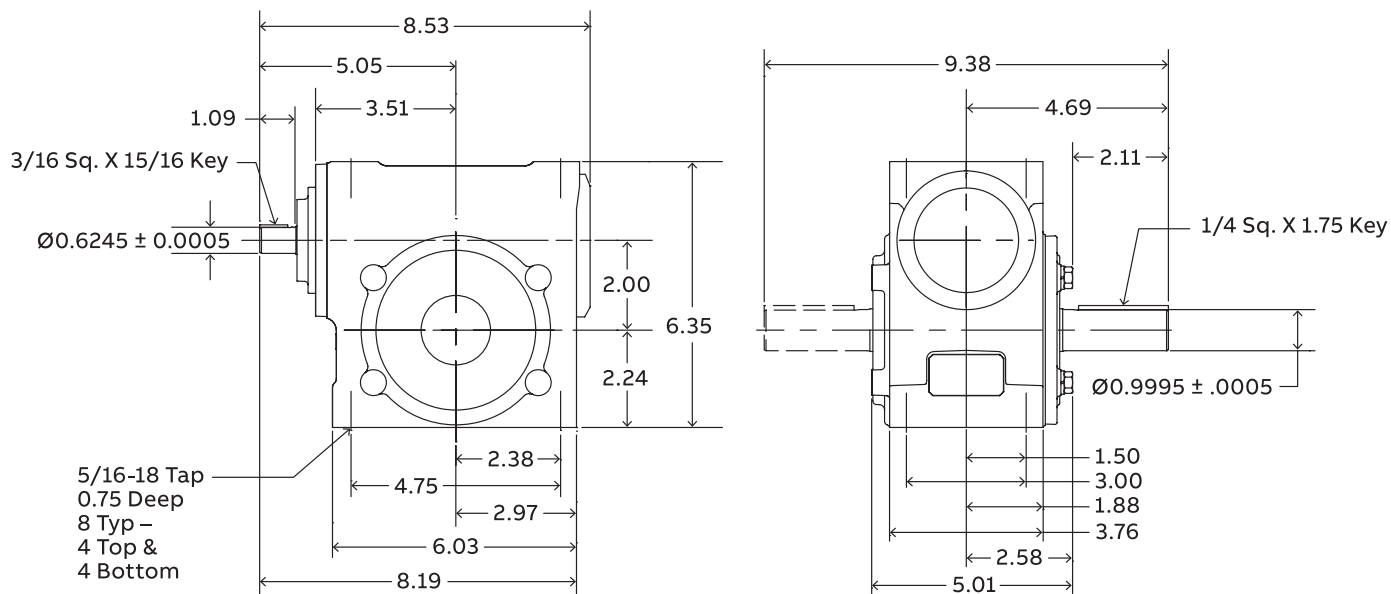
Ratio	Output RPM	Rating data	Separate reducer	Shaft position	Optional Motor Adapter Kit		
					1750 Input RPM	56C	140TC
4	438	Mechanical input Hp	3.47	21BS05L	L	Available upon request	
		Thermal input Hp	4.9	21BS05R	R	1720MTR56	1720MTR14
5	350	Output torque (lb. in.)	581	21BS05LR	LR		
		Mechanical output Hp	3.23				
		Output OHL (lbs.)	1380				
		Mechanical input Hp	2.78	21BS07L	L	1720MTR56	1720MTR14
7.5	233	Thermal input Hp	4.15	21BS07R	R		
		Output torque (lb. in.)	678	21BS07LR	LR		
		Mechanical output Hp	2.54				
		Output OHL (lbs.)	1560				
10	175	Mechanical input Hp	2.25	21BS10L	L	1720MTR56	1720MTR14
		Thermal input Hp	3.25	21BS10R	R		
		Output torque (lb. in.)	725	21BS10LR	LR		
		Mechanical output Hp	2.01				
12.7	138	Output OHL (lbs.)	1560				
		Mechanical input Hp	1.90	21BS12L	L	1720MTR56	1720MTR14
		Thermal input Hp	2.83	21BS12R	R		
		Output torque (lb. in.)	770	21BS12LR	LR		
15	117	Mechanical output Hp	1.69				
		Output OHL (lbs.)	1560				
		Mechanical input Hp	1.69	21BS15L	L	1720MTR56	1720MTR14
		Thermal input Hp	2.52	21BS15R	R		
18	97	Output torque (lb. in.)	790	21BS15LR	LR		
		Mechanical output Hp	1.46				
		Output OHL (lbs.)	1560				
		Mechanical input Hp	1.46	21BS18L	L	1720MTR56	1720MTR14
20	88	Thermal input Hp	2.12	21BS18R	R		
		Output torque (lb. in.)	795	21BS18LR	LR		
		Mechanical output Hp	1.23				
		Output OHL (lbs.)	1560				
25	70	Mechanical input Hp	1.34	21BS20L	L	1720MTR56	1720MTR14
		Thermal input Hp	1.99	21BS20R	R		
		Output torque (lb. in.)	796	21BS20LR	LR		
		Mechanical output Hp	1.11				
30	58	Output OHL (lbs.)	1560				
		Mechanical input Hp	1.11	21BS25L	L	1720MTR56	1720MTR14
		Thermal input Hp	1.59	21BS25R	R		
		Output torque (lb. in.)	788	21BS25LR	LR		
40	44	Mechanical output Hp	0.88				
		Output OHL (lbs.)	1560				
		Mechanical input Hp	0.96	21BS30L	L	1720MTR56	–
		Thermal input Hp	1.49	21BS30R	R		
50	35	Output torque (lb. in.)	802	21BS30LR	LR		
		Mechanical output Hp	0.74				
		Output OHL (lbs.)	1560				
		Mechanical input Hp	0.76	21BS40L	L	1720MTR56	–
60	29	Thermal input Hp	1.29	21BS40R	R		
		Output torque (lb. in.)	801	21BS40LR	LR		
		Mechanical output Hp	0.56				
		Output OHL (lbs.)	1560				
50	35	Mechanical input Hp	0.64	21BS50L	L	1720MTR56	–
		Thermal input Hp	1.09	21BS50R	R		
		Output torque (lb. in.)	787	21BS50LR	LR		
		Mechanical output Hp	0.44				
60	29	Output OHL (lbs.)	1560				
		Mechanical input Hp	0.56	21BS60L	L	1720MTR56	–
		Thermal input Hp	0.96	21BS60R	R		
		Output torque (lb. in.)	767	21BS60LR	LR		
All ratios		Mechanical output Hp	0.36				
		Output OHL (lbs.)	1560				
		Input OHL (lgs.)	200	One diameter from seal surface			

Note: Tigear-2 separate reducers cannot be used with the old adaptable Tigear motor adapter kits.

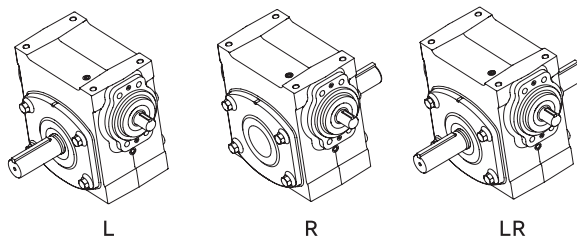
Ratings and dimensions

Tigear®-2 reducers with separate input – Size 21B

Solid output



Output shaft configurations



Ratings and dimensions

Tigear®-2 reducers with 3-piece coupled input – Size 21B

Tigear-2 reducers with 3-piece coupled input – Size 21B

3-piece coupled units include a separate reducer, 3-piece coupling and motor adapter housing assembled together.

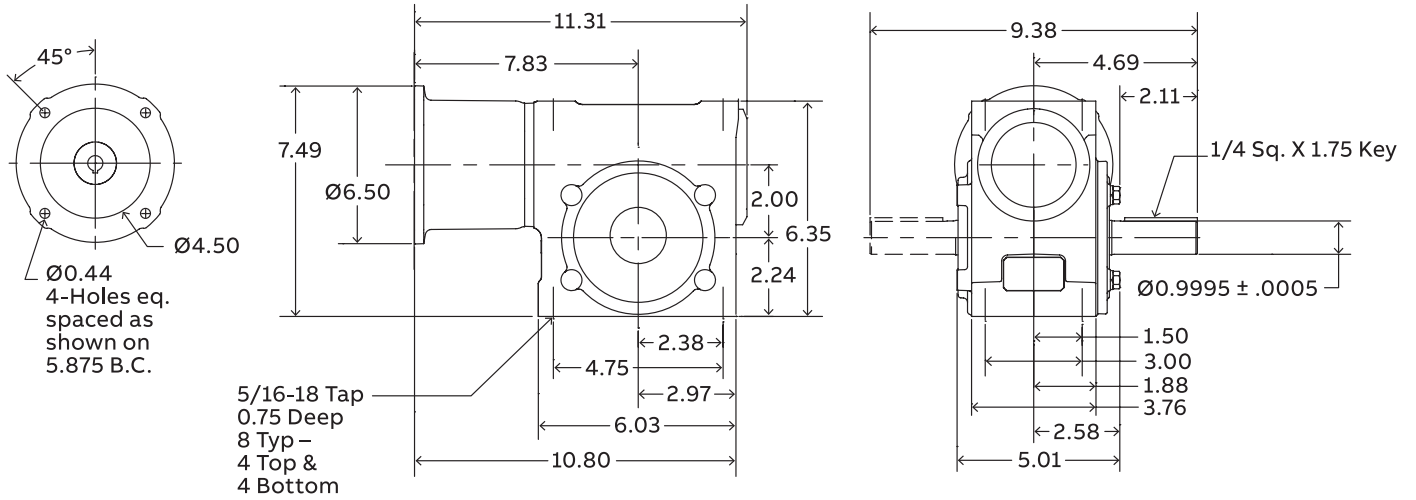
Ratio	Output RPM	Rating data		Part number		Shaft position
		1750 Input RPM	56C	140TC		
4	438					Available Upon Request
		Mechanical input Hp	3.47	21BA05L56	21BA05L14	L
		Thermal input Hp	4.90	21BA05R56	21BA05R14	R
5	350	Output torque (lb. in.)	581	21BA05LR56	21BA05LR14	LR
		Mechanical output Hp	3.23			
		Output OHL (lbs.)	1380			
7.5	233	Mechanical input Hp	2.78	21BA07L56	21BA07L14	L
		Thermal input Hp	4.15	21BA07R56	21BA07R14	R
		Output torque (lb. in.)	678	21BA07LR56	21BA07LR14	LR
10	175	Mechanical output Hp	2.54			
		Output OHL (lbs.)	1560			
		Mechanical input Hp	2.25	21BA10L56	21BA10L14	L
12.7	138	Thermal input Hp	3.25	21BA10R56	21BA10R14	R
		Output torque (lb. in.)	725	21BA10LR56	21BA10LR14	LR
		Mechanical output Hp	2.01			
15	117	Output OHL (lbs.)	1560			
		Mechanical input Hp	1.90	21BA12L56	21BA12L14	L
		Thermal input Hp	2.83	21BA12R56	21BA12R14	R
18	97	Output torque (lb. in.)	770	21BA12LR56	21BA12LR14	LR
		Mechanical output Hp	1.69			
		Output OHL (lbs.)	1560			
20	88	Mechanical input Hp	1.69	21BA15L56	21BA15L14	L
		Thermal input Hp	2.52	21BA15R56	21BA15R14	R
		Output torque (lb. in.)	790	21BA15LR56	21BA15LR14	LR
25	70	Mechanical output Hp	1.46			
		Output OHL (lbs.)	1560			
		Mechanical input Hp	1.46	21BA18L56	21BA18L14	L
30	58	Thermal input Hp	2.12	21BA18R56	21BA18R14	R
		Output torque (lb. in.)	795	21BA18LR56	21BA18LR14	LR
		Mechanical output Hp	1.23			
40	44	Output OHL (lbs.)	1560			
		Mechanical input Hp	1.34	21BA20L56	21BA20L14	L
		Thermal input Hp	1.99	21BA20R56	21BA20R14	R
50	35	Output torque (lb. in.)	796	21BA20LR56	21BA20LR14	LR
		Mechanical output Hp	1.11			
		Output OHL (lbs.)	1560			
60	29	Mechanical input Hp	1.11	21BA25L56	21BA25L14	L
		Thermal input Hp	1.59	21BA25R56	21BA25R14	R
		Output torque (lb. in.)	788	21BA25LR56	21BA25LR14	LR
30	58	Mechanical output Hp	0.88			
		Output OHL (lbs.)	1560			
		Mechanical input Hp	0.96	21BA30L56		L
40	44	Thermal input Hp	1.49	21BA30R56		R
		Output torque (lb. in.)	802	21BA30LR56	-	LR
		Mechanical output Hp	0.74			
50	35	Output OHL (lbs.)	1560			
		Mechanical input Hp	0.76	21BA40L56		L
		Thermal input Hp	1.29	21BA40R56		R
60	29	Output torque (lb. in.)	801	21BA40LR56	-	LR
		Mechanical output Hp	0.56			
		Output OHL (lbs.)	1560			
30	58	Mechanical input Hp	0.64	21BA50L56		L
		Thermal input Hp	1.09	21BA50R56		R
		Output torque (lb. in.)	787	21BA50LR56	-	LR
40	44	Mechanical output Hp	0.44			
		Output OHL (lbs.)	1560			
		Mechanical input Hp	0.56	21BA60L56		L
50	35	Thermal input Hp	0.96	21BA60R56		R
		Output torque (lb. in.)	767	21BA60LR56	-	LR
		Mechanical output Hp	0.36			
60	29	Output OHL (lbs.)	1560			

Note: Reducers are shipped without a mounting base. Order bolt-on base kit **21BBASE** if required.

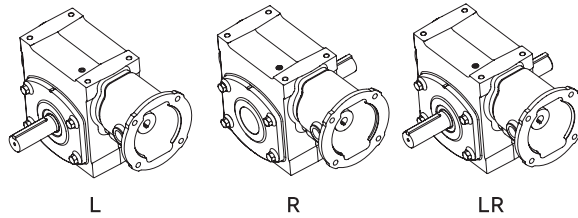
Ratings and dimensions

Tigear®-2 reducers with 3-piece coupled input – Size 21B

Solid output



Output shaft configurations



Ratings and dimensions

Tigear®-2 reducers with quill input – Size 23

Tigear-2 reducers with quill input – Size 23

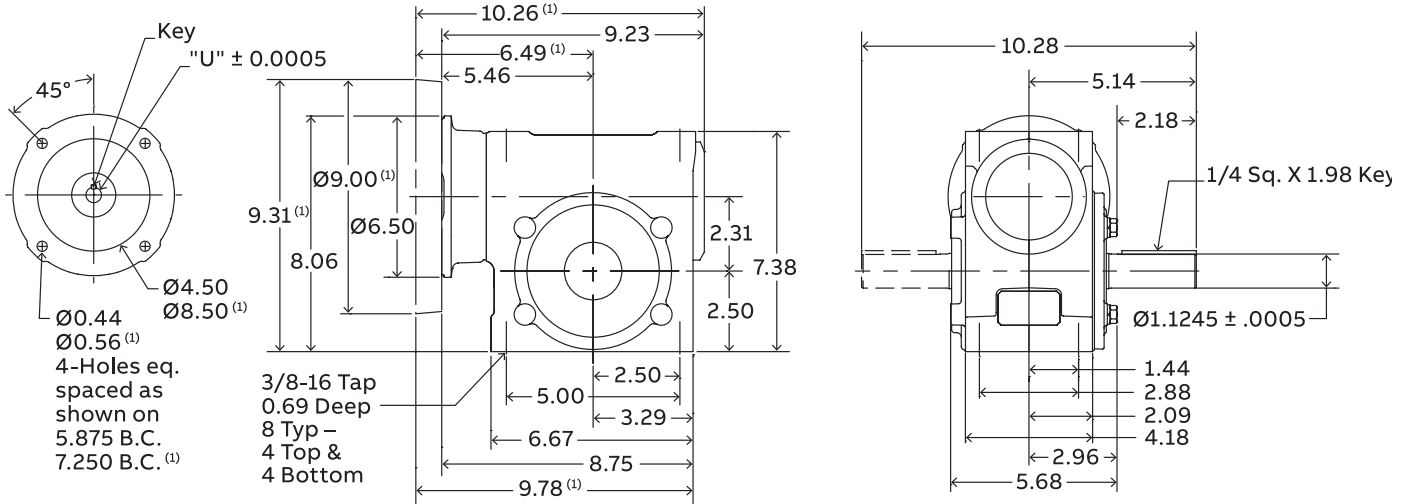
Ratio	Output RPM	Rating data			Part number			Shaft position
			1750 Input RPM	56C	140TC	180TC		
4	438						Available upon request	
		Mechanical input Hp	5.25	23Q05L56	23Q05L14	23Q05L18		L
5	350	Thermal input Hp	6.61	23Q05R56	23Q05R14	23Q05R18		R
		Output torque (lb. in.)	881	23Q05LR56	23Q05LR14	23Q05LR18		LR
		Mechanical output Hp	4.89	23Q05H56	23Q05H14	23Q05H18		Hollow
		Output OHL (lbs.)	1330	23Q05HA56	23Q05HA14	23Q05HA18		Hollow alt.
7.5	233	Mechanical input Hp	4.18	23Q07L56	23Q07L14	23Q07L18		L
		Thermal input Hp	5.64	23Q07R56	23Q07R14	23Q07R18		R
		Output torque (lb. in.)	1026	23Q07LR56	23Q07LR14	23Q07LR18		LR
		Mechanical output Hp	3.85	23Q07H56	23Q07H14	23Q07H18		Hollow
10	175	Output OHL (lbs.)	1520	23Q07HA56	23Q07HA14	23Q07HA18		Hollow alt.
		Mechanical input Hp	3.42	23Q10L56	23Q10L14	23Q10L18		L
		Thermal input Hp	4.40	23Q10R56	23Q10R14	23Q10R18		R
		Output torque (lb. in.)	1106	23Q10LR56	23Q10LR14	23Q10LR18		LR
12.7	138	Mechanical output Hp	3.07	23Q10H56	23Q10H14	23Q10H18		Hollow
		Output OHL (lbs.)	1610	23Q10HA56	23Q10HA14	23Q10HA18		Hollow alt.
		Mechanical input Hp	2.91	23Q12L56	23Q12L14	23Q12L18		L
		Thermal input Hp	3.78	23Q12R56	23Q12R14	23Q12R18		R
15	117	Output torque (lb. in.)	1170	23Q12LR56	23Q12LR14	23Q12LR18		LR
		Mechanical output Hp	2.56	23Q12H56	23Q12H14	23Q12H18		Hollow
		Output OHL (lbs.)	1610	23Q12HA56	23Q12HA14	23Q12HA18		Hollow alt.
		Mechanical input Hp	2.57	23Q15L56	23Q15L14			L
20	88	Thermal input Hp	3.30	23Q15R56	23Q15R14			R
		Output torque (lb. in.)	1199	23Q15LR56	23Q15LR14			LR
		Mechanical output Hp	2.22	23Q15H56	23Q15H14			Hollow
		Output OHL (lbs.)	1610	23Q15HA56	23Q15HA14			Hollow alt.
25	70	Mechanical input Hp	2.00	23Q20L56	23Q20L14			L
		Thermal input Hp	2.62	23Q20R56	23Q20R14			R
		Output torque (lb. in.)	1178	23Q20LR56	23Q20LR14			LR
		Mechanical output Hp	1.64	23Q20H56	23Q20H14			Hollow
30	58	Output OHL (lbs.)	1610	23Q20HA56	23Q20HA14			Hollow alt.
		Mechanical input Hp	1.65	23Q25L56	23Q25L14			L
		Thermal input Hp	2.16	23Q25R56	23Q25R14			R
		Output torque (lb. in.)	1184	23Q25LR56	23Q25LR14			LR
40	44	Mechanical output Hp	1.32	23Q25H56	23Q25H14			Hollow
		Output OHL (lbs.)	1610	23Q25HA56	23Q25HA14			Hollow alt.
		Mechanical input Hp	1.42	23Q30L56	23Q30L14			L
		Thermal input Hp	2.06	23Q30R56	23Q30R14			R
50	35	Output torque (lb. in.)	1201	23Q30LR56	23Q30LR14			LR
		Mechanical output Hp	1.11	23Q30H56	23Q30H14			Hollow
		Output OHL (lbs.)	1610	23Q30HA56	23Q30HA14			Hollow alt.
		Mechanical input Hp	1.11	23Q40L56	23Q40L14			L
60	29	Thermal input Hp	1.73	23Q40R56	23Q40R14			R
		Output torque (lb. in.)	1193	23Q40LR56	23Q40LR14			LR
		Mechanical output Hp	0.83	23Q40H56	23Q40H14			Hollow
		Output OHL (lbs.)	1610	23Q40HA56	23Q40HA14			Hollow alt.
50	35	Mechanical input Hp	0.95	23Q50L56				L
		Thermal input Hp	1.42	23Q50R56				R
		Output torque (lb. in.)	1182	23Q50LR56				LR
		Mechanical output Hp	0.66	23Q50H56				Hollow
60	29	Output OHL (lbs.)	1610	23Q50HA56				Hollow alt.
		Mechanical input Hp	0.80	23Q60L56				L
		Thermal input Hp	1.24	23Q60R56				R
		Output torque (lb. in.)	1111	23Q60LR56				LR
		Mechanical output Hp	0.51	23Q60H56				Hollow
		Output OHL (lbs.)	1610	23Q60HA56				Hollow alt.

Note: Reducers are shipped without a mounting base. Order bolt-on base kit **23BASE** if required.

Ratings and dimensions

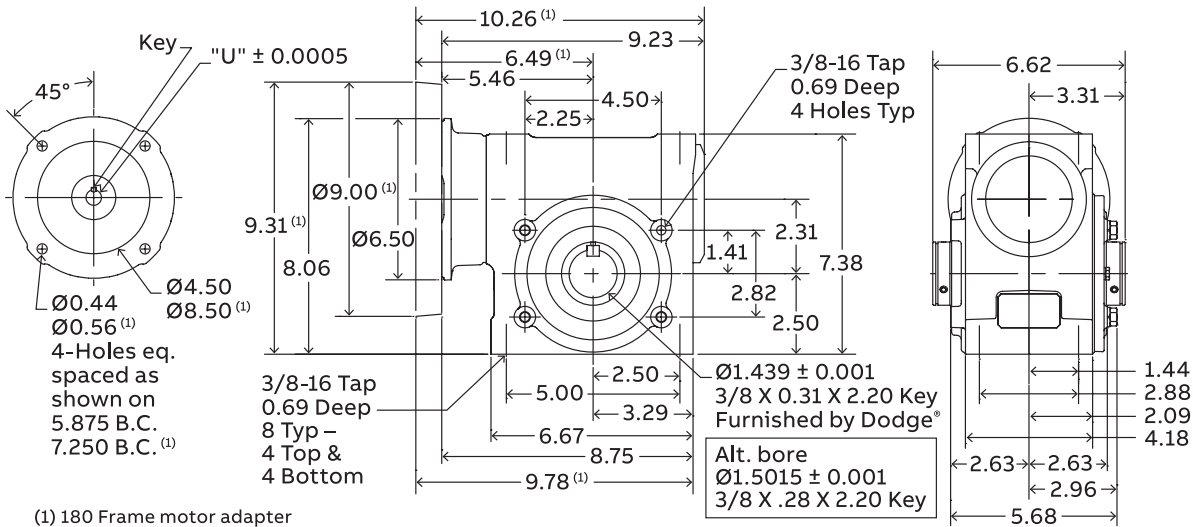
Tigear®-2 reducers with quill input – Size 23

Solid output



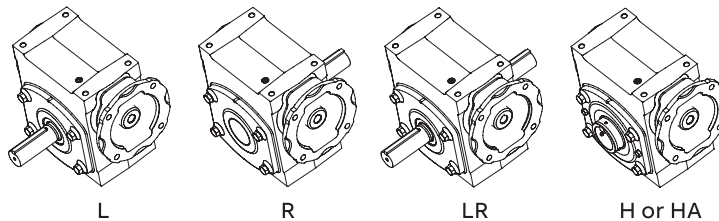
Motor frame	"U"	Key
56C	Ø0.626	3/16 sq. x 1.72 Key
140TC	Ø0.876	3/16 sq. x 1.72 Key
180TC	Ø1.126	1/4 sq. x 2.36 Key

Hollow output



(1) 180 Frame motor adapter

Output shaft configurations



Ratings and dimensions

Tigear®-2 reducers with separate input – Size 23

Tigear-2 reducers with separate input – Size 23

Ratio	Output RPM	Rating data 1750 Input RPM	Separate reducer	Shaft position	Optional motor adapter kit			
					56C	140TC	180TC	
4	438				Available Upon Request			
5	350	Mechanical input Hp	5.25	23S05L	L	2332MTR56	2332MTR14	2332MTR18
		Thermal input Hp	6.61	23S05R	R			
		Output torque (lb. in.)	881	23S05LR	LR			
		Mechanical output Hp	4.89	23S05H	Hollow			
7.5	233	Output OHL (lbs.)	1330	23S05HA	Hollow alt.	2332MTR56	2332MTR14	2332MTR18
		Mechanical input Hp	4.18	23S07L	L			
		Thermal input Hp	5.64	23S07R	R			
		Output torque (lb. in.)	1026	23S07LR	LR			
10	175	Mechanical output Hp	3.85	23S07H	Hollow	2332MTR56	2332MTR14	2332MTR18
		Output OHL (lbs.)	1520	23S07HA	Hollow alt.			
		Mechanical input Hp	3.42	23S10L	L			
		Thermal input Hp	4.40	23S10R	R			
12.7	138	Output torque (lb. in.)	1106	23S10LR	LR	2332MTR56	2332MTR14	2332MTR18
		Mechanical output Hp	3.07	23S10H	Hollow			
		Output OHL (lbs.)	1610	23S10HA	Hollow alt.			
		Mechanical input Hp	2.91	23S12L	L			
15	117	Thermal input Hp	3.78	23S12R	R	2332MTR56	2332MTR14	2332MTR18
		Output torque (lb. in.)	1170	23S12LR	LR			
		Mechanical output Hp	2.56	23S12H	Hollow			
		Output OHL (lbs.)	1610	23S12HA	Hollow alt.			
20	88	Mechanical input Hp	2.57	23S15L	L	2332MTR56	2332MTR14	-
		Thermal input Hp	3.30	23S15R	R			
		Output torque (lb. in.)	1199	23S15LR	LR			
		Mechanical output Hp	2.22	23S15H	Hollow			
25	70	Output OHL (lbs.)	1610	23S15HA	Hollow alt.	2332MTR56	2332MTR14	-
		Mechanical input Hp	2.00	23S20L	L			
		Thermal input Hp	2.62	23S20R	R			
		Output torque (lb. in.)	1178	23S20LR	LR			
30	58	Mechanical output Hp	1.64	23S20H	Hollow	2332MTR56	2332MTR14	-
		Output OHL (lbs.)	1610	23S20HA	Hollow alt.			
		Mechanical input Hp	1.65	23S25L	L			
		Thermal input Hp	2.16	23S25R	R			
40	44	Output torque (lb. in.)	1184	23S25LR	LR	2332MTR56	2332MTR14	-
		Mechanical output Hp	1.32	23S25H	Hollow			
		Output OHL (lbs.)	1610	23S25HA	Hollow alt.			
		Mechanical input Hp	1.42	23S30L	L			
50	35	Thermal input Hp	2.06	23S30R	R	2332MTR56	-	-
		Output torque (lb. in.)	1201	23S30LR	LR			
		Mechanical output Hp	1.11	23S30H	Hollow			
		Output OHL (lbs.)	1610	23S30HA	Hollow alt.			
60	29	Mechanical input Hp	1.11	23S40L	L	2332MTR56	-	-
		Thermal input Hp	1.73	23S40R	R			
		Output torque (lb. in.)	1193	23S40LR	LR			
		Mechanical output Hp	0.83	23S40H	Hollow			
All ratios		Output OHL (lbs.)	1610	23S40HA	Hollow alt.			
		Mechanical input Hp	0.95	23S50L	L			
		Thermal input Hp	1.42	23S50R	R			
		Output torque (lb. in.)	1182	23S50LR	LR			
Food Safe dimensions		Mechanical output Hp	0.66	23S50H	Hollow			
		Output OHL (lbs.)	1610	23S50HA	Hollow alt.			
		Mechanical input Hp	0.80	23S60L	L			
		Thermal input Hp	1.24	23S60R	R			
Food Safe dimensions		Output torque (lb. in.)	1111	23S60LR	LR			
		Mechanical output Hp	0.51	23S60H	Hollow			
		Output OHL (lbs.)	1610	23S60HA	Hollow alt.			
		Input OHL (lbs.)	200					

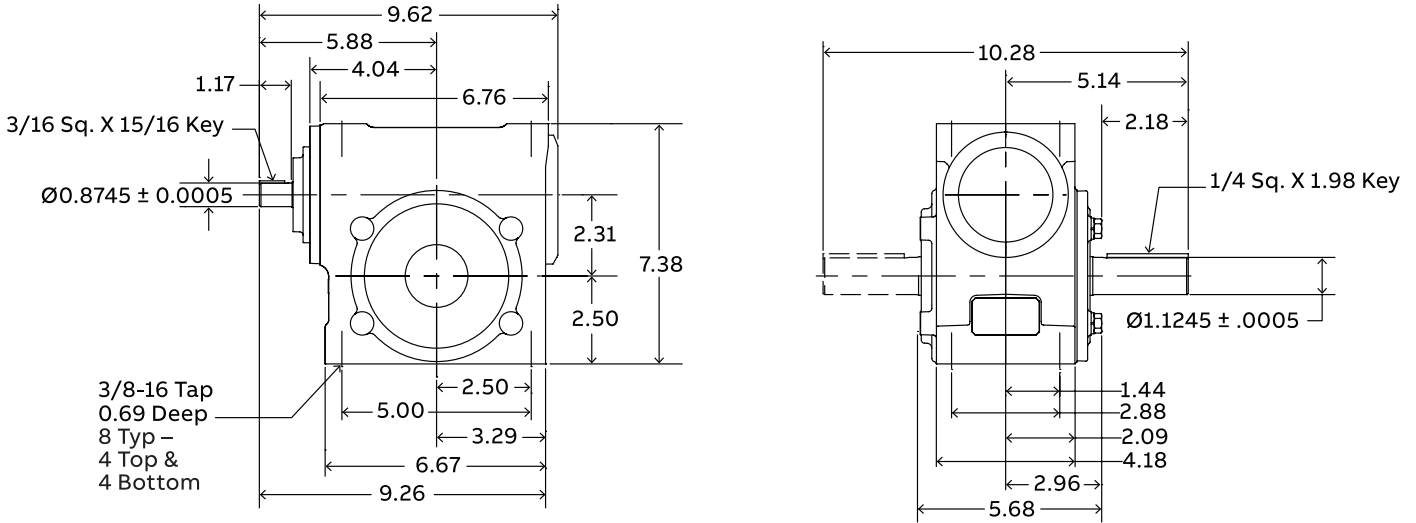
Note: Tigear-2 separate reducers cannot be used with the old adaptable Tigear motor adapter kits.

One diameter from seal surface

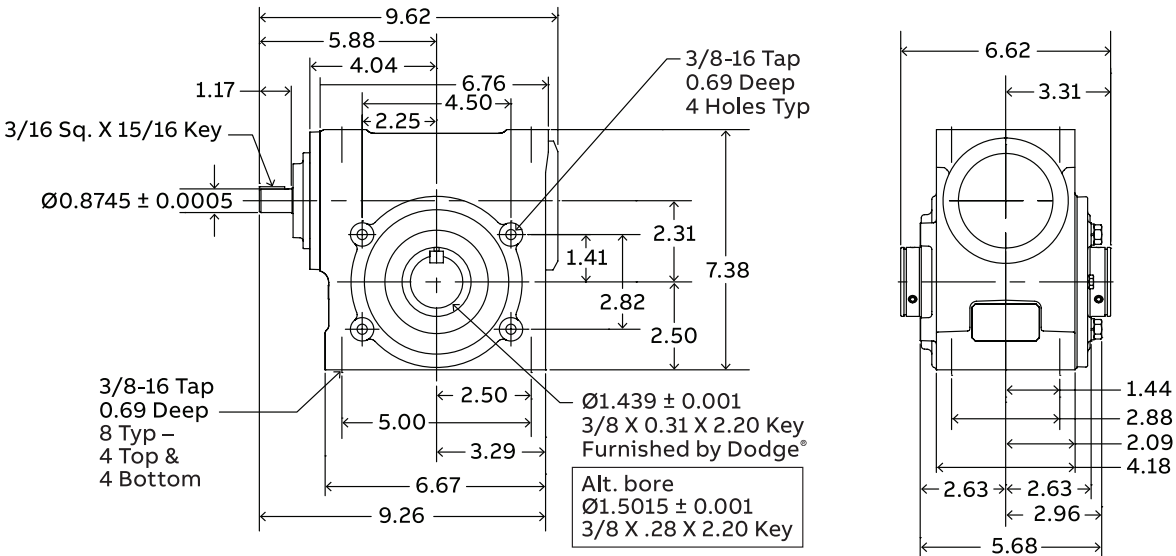
Ratings and dimensions

Tigear®-2 reducers with separate input – Size 23

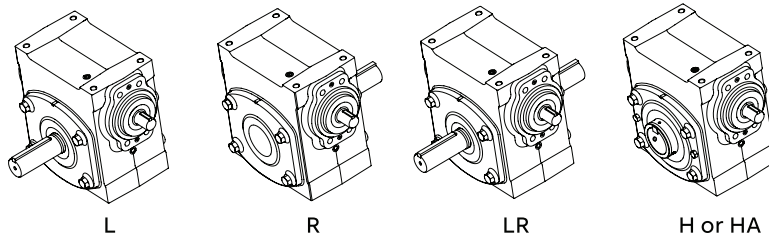
Solid output



Hollow output



Output shaft configurations



Ratings and dimensions

Tigear®-2 reducers with 3-piece coupled input – Size 23

Tigear-2 reducers with 3-piece coupled input – Size 23

3-piece coupled units include a separate reducer, 3-piece coupling and motor adapter housing assembled together.

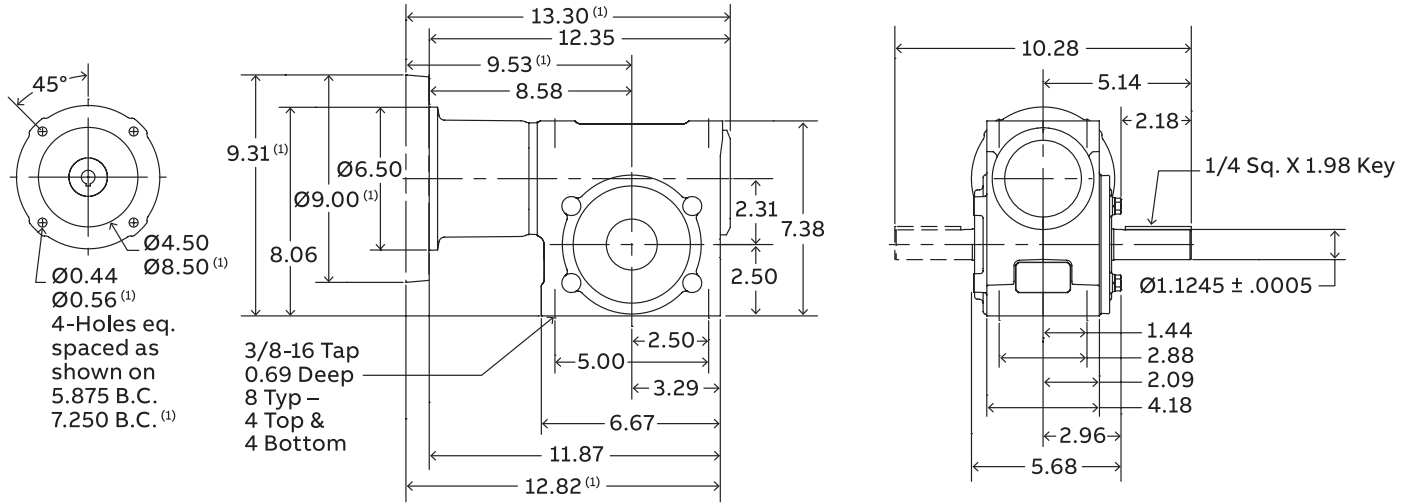
Ratio	Output RPM	Rating data			Part number			Shaft position
		1750 Input RPM	56C	140TC	180TC	180TC		
4	438						Available Upon Request	
		Mechanical input Hp	5.25	23A05L56	23A05L14	23A05L18		L
5	350	Thermal input Hp	6.61	23A05R56	23A05R14	23A05R18		R
		Output torque (lb. in.)	881	23A05LR56	23A05LR14	23A05LR18		LR
		Mechanical output Hp	4.89	23A05H56	23A05H14	23A05H18		Hollow
		Output OHL (lbs.)	1330	23A05HA56	23A05HA14	23A05HA18		Hollow alt.
		Mechanical input Hp	4.18	23A07L56	23A07L14	23A07L18		L
7.5	233	Thermal input Hp	5.64	23A07R56	23A07R14	23A07R18		R
		Output torque (lb. in.)	1026	23A07LR56	23A07LR14	23A07LR18		LR
		Mechanical output Hp	3.85	23A07H56	23A07H14	23A07H18		Hollow
		Output OHL (lbs.)	1520	23A07HA56	23A07HA14	23A07HA18		Hollow alt.
		Mechanical input Hp	3.42	23A10L56	23A10L14	23A10L18		L
10	175	Thermal input Hp	4.40	23A10R56	23A10R14	23A10R18		R
		Output torque (lb. in.)	1106	23A10LR56	23A10LR14	23A10LR18		LR
		Mechanical output Hp	3.07	23A10H56	23A10H14	23A10H18		Hollow
		Output OHL (lbs.)	1610	23A10HA56	23A10HA14	23A10HA18		Hollow alt.
		Mechanical input Hp	2.91	23A12L56	23A12L14	23A12L18		L
12.7	138	Thermal input Hp	3.78	23A12R56	23A12R14	23A12R18		R
		Output torque (lb. in.)	1170	23A12LR56	23A12LR14	23A12LR18		LR
		Mechanical output Hp	2.56	23A12H56	23A12H14	23A12H18		Hollow
		Output OHL (lbs.)	1610	23A12HA56	23A12HA14	23A12HA18		Hollow alt.
		Mechanical input Hp	2.57	23A15L56	23A15L14			L
15	117	Thermal input Hp	3.30	23A15R56	23A15R14			R
		Output torque (lb. in.)	1199	23A15LR56	23A15LR14			LR
		Mechanical output Hp	2.22	23A15H56	23A15H14			Hollow
		Output OHL (lbs.)	1610	23A15HA56	23A15HA14			Hollow alt.
		Mechanical input Hp	2.00	23A20L56	23A20L14			L
20	88	Thermal input Hp	2.62	23A20R56	23A20R14			R
		Output torque (lb. in.)	1178	23A20LR56	23A20LR14			LR
		Mechanical output Hp	1.64	23A20H56	23A20H14			Hollow
		Output OHL (lbs.)	1610	23A20HA56	23A20HA14			Hollow alt.
		Mechanical input Hp	1.65	23A25L56	23A25L14			L
25	70	Thermal input Hp	2.16	23A25R56	23A25R14			R
		Output torque (lb. in.)	1184	23A25LR56	23A25LR14			LR
		Mechanical output Hp	1.32	23A25H56	23A25H14			Hollow
		Output OHL (lbs.)	1610	23A25HA56	23A25HA14			Hollow alt.
		Mechanical input Hp	1.42	23A30L56	23A30L14			L
30	58	Thermal input Hp	2.06	23A30R56	23A30R14			R
		Output torque (lb. in.)	1201	23A30LR56	23A30LR14			LR
		Mechanical output Hp	1.11	23A30H56	23A30H14			Hollow
		Output OHL (lbs.)	1610	23A30HA56	23A30HA14			Hollow alt.
		Mechanical input Hp	1.11	23A40L56	23A40L14			L
40	44	Thermal input Hp	1.73	23A40R56	23A40R14			R
		Output torque (lb. in.)	1193	23A40LR56	23A40LR14			LR
		Mechanical output Hp	0.83	23A40H56	23A40H14			Hollow
		Output OHL (lbs.)	1610	23A40HA56	23A40HA14			Hollow alt.
		Mechanical input Hp	0.95	23A50L56				L
50	35	Thermal input Hp	1.42	23A50R56				R
		Output torque (lb. in.)	1182	23A50LR56				LR
		Mechanical output Hp	0.66	23A50H56				Hollow
		Output OHL (lbs.)	1610	23A50HA56				Hollow alt.
		Mechanical input Hp	0.80	23A60L56				L
60	29	Thermal input Hp	1.24	23A60R56				R
		Output torque (lb. in.)	1111	23A60LR56				LR
		Mechanical output Hp	0.51	23A60H56				Hollow
		Output OHL (lbs.)	1610	23A60HA56				Hollow alt.

Note: Reducers are shipped without a mounting base. Order bolt-on base kit **23BASE** if required.

Ratings and dimensions

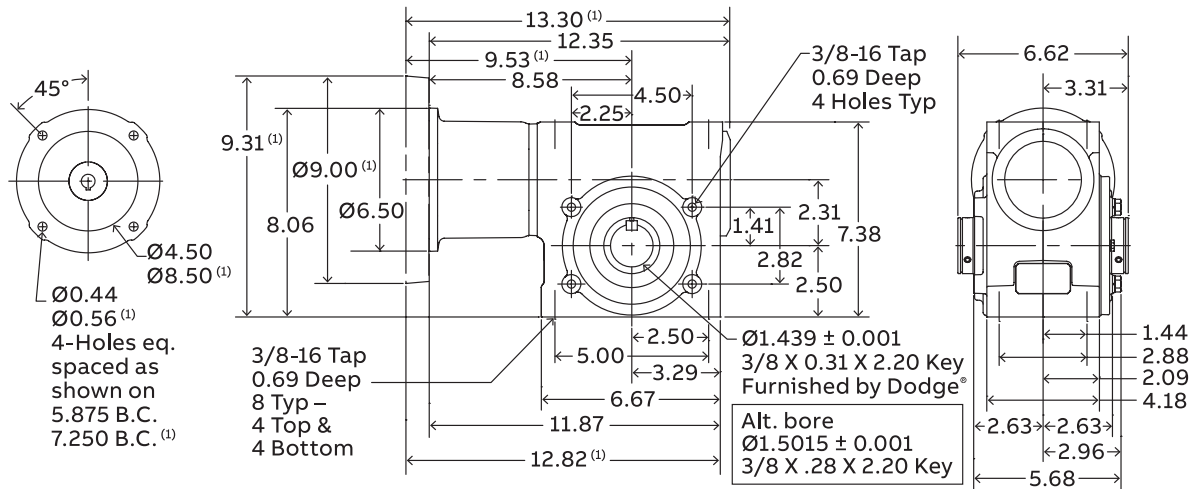
Tigear®-2 reducers with 3-piece coupled input – Size 23

Solid output

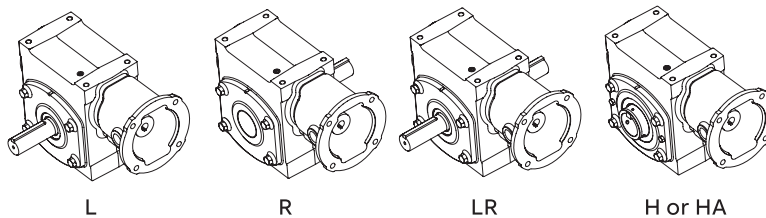


⁽¹⁾ 180 Frame motor adapter

Hollow output



Output shaft configurations



Ratings and dimensions

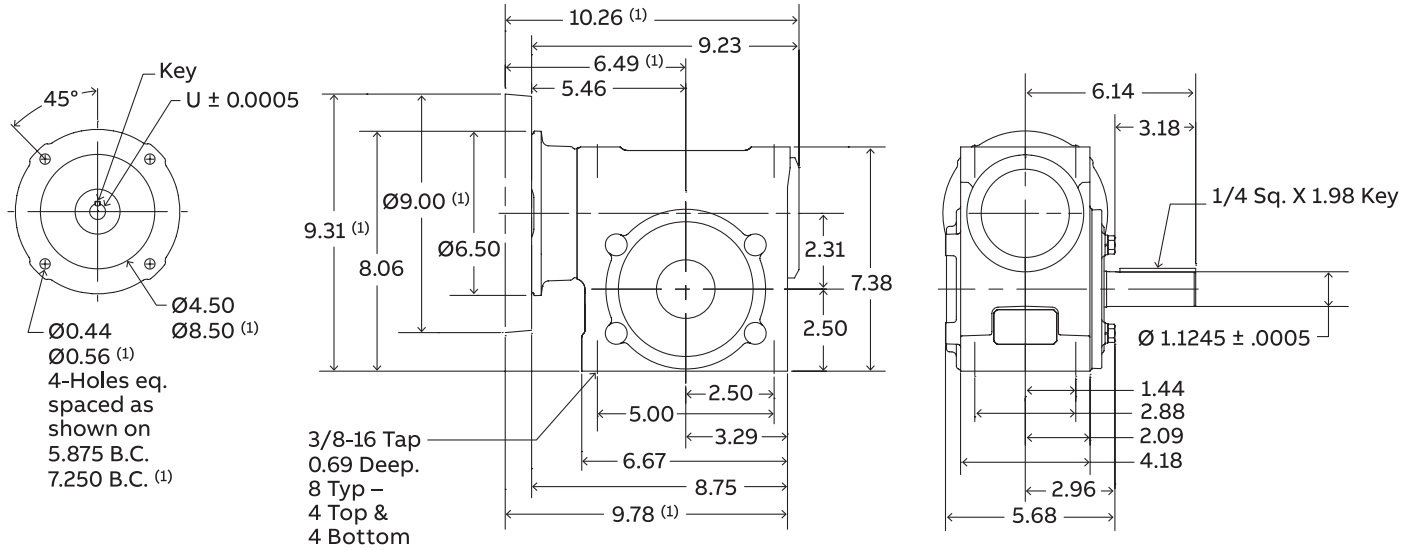
Tigear®-2 reducers with quill input – Size 232

Size 23 with 1.00" extended length output shaft

Motor frame	Shaft position	Ratio									
		5	7.5	10	15	20	25	30	40	50	60
56C	L	232Q05L56	232Q07L56	232Q10L56	232Q15L56	232Q20L56	232Q25L56	232Q30L56	232Q40L56	232Q50L56	232Q60L56
	R	232Q05R56	232Q07R56	232Q10R56	232Q15R56	232Q20R56	232Q25R56	232Q30R56	232Q40R56	232Q50R56	232Q60R56
140TC	L	232Q05L14	232Q07L14	232Q10L14	232Q15L14	232Q20L14	-	-	-	-	-
	R	232Q05R14	232Q07R14	232Q10R14	232Q15R14	232Q20R14	-	-	-	-	-
180TC	L	232Q05L18	232Q07L18	232Q10L18	-	-	-	-	-	-	-
	R	232Q05R18	232Q07R18	232Q10R18	-	-	-	-	-	-	-

Note: Reducers are shipped without a mounting base. Order bolt-on base kit **23BASE** if required.

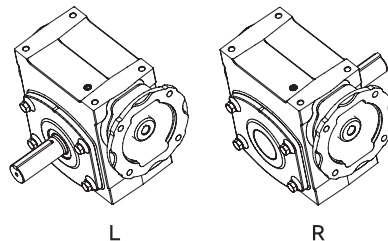
Solid output



(1) 180 Frame motor adapter

Motor frame	"U"	Key
56C	Ø0.626	3/16 sq. x 1.72 Key
140TC	Ø0.876	3/16 sq. x 1.72 Key
180TC	Ø1.126	1/4 sq. x 2.36 Key

Output shaft configurations



Ratings and dimensions

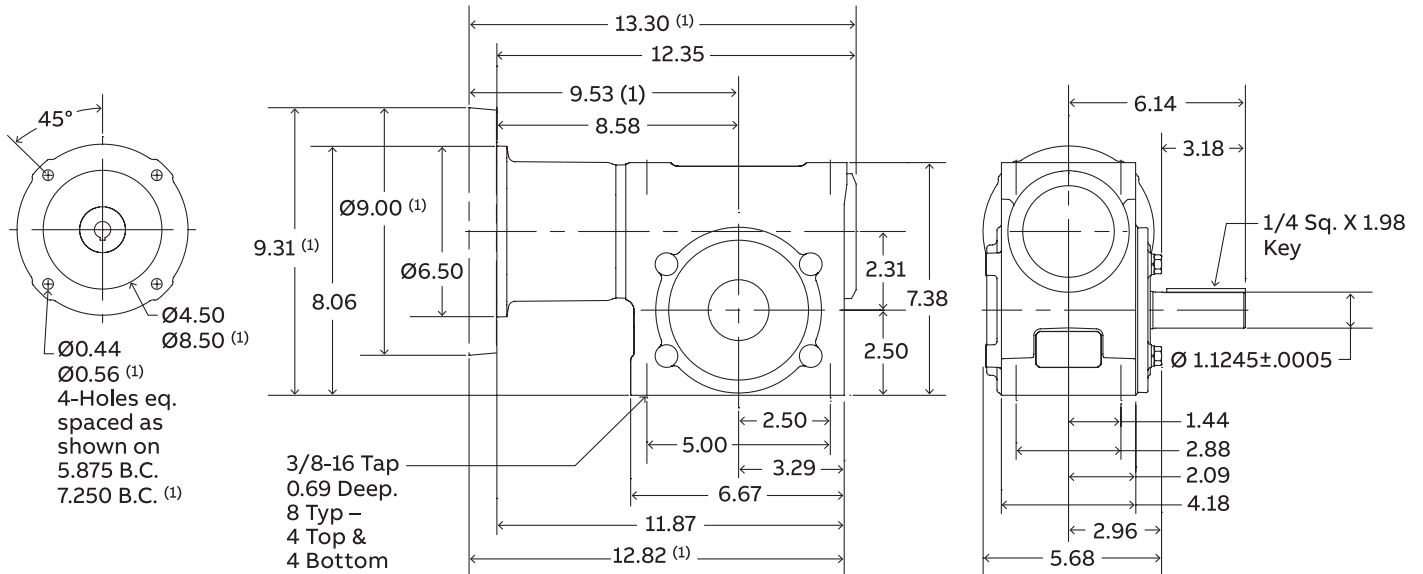
Tigear®-2 reducers with 3-piece coupled input – Size 232

Size 23 with 1.00" extended length output shaft

Motor frame	Shaft position											Ratio
		5	7.5	10	15	20	25	30	40	50	60	
56C	L	232A05L56	232A07L56	232A10L56	232A15L56	232A20L56	232A25L56	232A30L56	232A40L56	232A50L56	232A60L56	
	R	232A05R56	232A07R56	232A10R56	232A15R56	232A20R56	232A25R56	232A30R56	232A40R56	232A50R56	232A60R56	
140TC	L	232A05L14	232A07L14	232A10L14	232A15L14	232A20L14	-	-	-	-	-	
	R	232A05R14	232A07R14	232A10R14	232A15R14	232A20R14	-	-	-	-	-	
180TC	L	232A05L18	232A07L18	232A10L18	-	-	-	-	-	-	-	
	R	232A05R18	232A07R18	232A10R18	-	-	-	-	-	-	-	

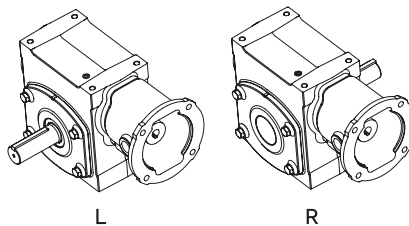
Note: Reducers are shipped without a mounting base. Order bolt-on base kit **23BASE** if required.

Solid output



(1) 180 Frame motor adapter

Output shaft configurations



Ratings and dimensions

Tigear®-2 reducers with quill input – Size 26

Tigear-2 reducers with quill input – Size 26

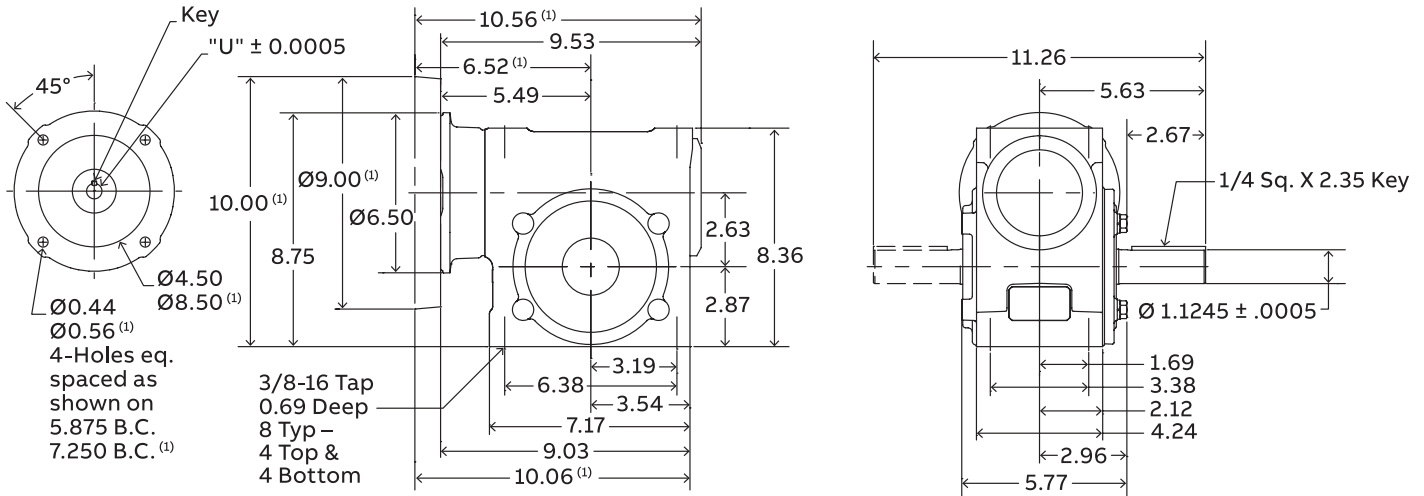
Ratio	Output RPM		Rating data			Part number			Shaft position
			1750 Input RPM	56C	140TC	180TC			
5	350	Mechanical input Hp	7.37		26Q05L14	26Q05L18		L	
		Thermal input Hp	8.79		26Q05R14	26Q05R18		R	
		Output torque (lb. in.)	1247	-	26Q05LR14	26Q05LR18		LR	
		Mechanical output Hp	6.93		26Q05H14	26Q05H18		Hollow	
6.5	269	Output OHL (lbs.)	1330		26Q05HA14	26Q05HA18		Hollow alt.	
		Available Upon Request	-	-	-	-	-	-	
7.5	233	Mechanical input Hp	5.92	26Q07L56	26Q07L14	26Q07L18		L	
		Thermal input Hp	6.89	26Q07R56	26Q07R14	26Q07R18		R	
		Output torque (lb. in.)	1458	26Q07LR56	26Q07LR14	26Q07LR18		LR	
		Mechanical output Hp	5.47	26Q07H56	26Q07H14	26Q07H18		Hollow	
10	175	Output OHL (lbs.)	1520	26Q07HA56	26Q07HA14	26Q07HA18		Hollow alt.	
		Mechanical input Hp	4.83	26Q10L56	26Q10L14	26Q10L18		L	
		Thermal input Hp	5.61	26Q10R56	26Q10R14	26Q10R18		R	
		Output torque (lb. in.)	1576	26Q10LR56	26Q10LR14	26Q10LR18		LR	
12.7	138	Mechanical output Hp	4.37	26Q10H56	26Q10H14	26Q10H18		Hollow	
		Output OHL (lbs.)	1610	26Q10HA56	26Q10HA14	26Q10HA18		Hollow alt.	
		Mechanical input Hp	4.08	26Q12L56	26Q12L14	26Q12L18		L	
		Thermal input Hp	4.72	26Q12R56	26Q12R14	26Q12R18		R	
15	117	Output torque (lb. in.)	1654	26Q12LR56	26Q12LR14	26Q12LR18		LR	
		Mechanical output Hp	3.63	26Q12H56	26Q12H14	26Q12H18		Hollow	
		Output OHL (lbs.)	1610	26Q12HA56	26Q12HA14	26Q12HA18		Hollow alt.	
		Mechanical input Hp	3.62	26Q15L56	26Q15L14	26Q15L18		L	
18	97	Thermal input Hp	4.15	26Q15R56	26Q15R14	26Q15R18		R	
		Output torque (lb. in.)	1708	26Q15LR56	26Q15LR14	26Q15LR18		LR	
		Mechanical output Hp	3.16	26Q15H56	26Q15H14	26Q15H18		Hollow	
		Output OHL (lbs.)	1610	26Q15HA56	26Q15HA14	26Q15HA18		Hollow alt.	
20	88	Mechanical input Hp	3.05	26Q18L56	26Q18L14	26Q18L18		L	
		Thermal input Hp	3.73	26Q18R56	26Q18R14	26Q18R18		R	
		Output torque (lb. in.)	1708	26Q18LR56	26Q18LR14	26Q18LR18		LR	
		Mechanical output Hp	2.63	26Q18H56	26Q18H14	26Q18H18		Hollow	
25	70	Output OHL (lbs.)	1610	26Q18HA56	26Q18HA14	26Q18HA18		Hollow alt.	
		Mechanical input Hp	2.71	26Q20L56	26Q20L14			L	
		Thermal input Hp	3.71	26Q20R56	26Q20R14			R	
		Output torque (lb. in.)	1673	26Q20LR56	26Q20LR14			LR	
30	58	Mechanical output Hp	2.32	26Q20H56	26Q20H14			Hollow	
		Output OHL (lbs.)	1610	26Q20HA56	26Q20HA14			Hollow alt.	
		Mechanical input Hp	2.26	26Q25L56	26Q25L14			L	
		Thermal input Hp	3.00	26Q25R56	26Q25R14			R	
40	44	Output torque (lb. in.)	1677	26Q25LR56	26Q25LR14			LR	
		Mechanical output Hp	1.86	26Q25H56	26Q25H14			Hollow	
		Output OHL (lbs.)	1610	26Q25HA56	26Q25HA14			Hollow alt.	
		Mechanical input Hp	2.00	26Q30L56	26Q30L14			L	
50	35	Thermal input Hp	2.79	26Q30R56	26Q30R14			R	
		Output torque (lb. in.)	1705	26Q30LR56	26Q30LR14			LR	
		Mechanical output Hp	1.58	26Q30H56	26Q30H14			Hollow	
		Output OHL (lbs.)	1610	26Q30HA56	26Q30HA14			Hollow alt.	
60	29	Mechanical input Hp	1.55	26Q40L56	26Q40L14			L	
		Thermal input Hp	2.14	26Q40R56	26Q40R14			R	
		Output torque (lb. in.)	1685	26Q40LR56	26Q40LR14			LR	
		Mechanical output Hp	1.17	26Q40H56	26Q40H14			Hollow	
80	22	Output OHL (lbs.)	1610	26Q40HA56	26Q40HA14			Hollow alt.	
		Mechanical input Hp	1.32	26Q50L56	26Q50L14			L	
		Thermal input Hp	1.76	26Q50R56	26Q50R14			R	
		Output torque (lb. in.)	1662	26Q50LR56	26Q50LR14			LR	
100	18	Mechanical output Hp	0.92	26Q50H56	26Q50H14			Hollow	
		Output OHL (lbs.)	1610	26Q50HA56	26Q50HA14			Hollow alt.	
		Mechanical input Hp	1.08	26Q60L56	26Q60L14			L	
		Thermal input Hp	1.57	26Q60R56	26Q60R14			R	
100	18	Output torque (lb. in.)	1547	26Q60LR56	26Q60LR14			LR	
		Mechanical output Hp	0.72	26Q60H56	26Q60H14			Hollow	
		Output OHL (lbs.)	1610	26Q60HA56	26Q60HA14			Hollow alt.	
		Available upon request	-	-	-	-	-	-	
100	18	Available upon request	-	-	-	-	-		

Note: Reducers are shipped without a mounting base. Order bolt-on base kit **26BASE** if required.

Ratings and dimensions

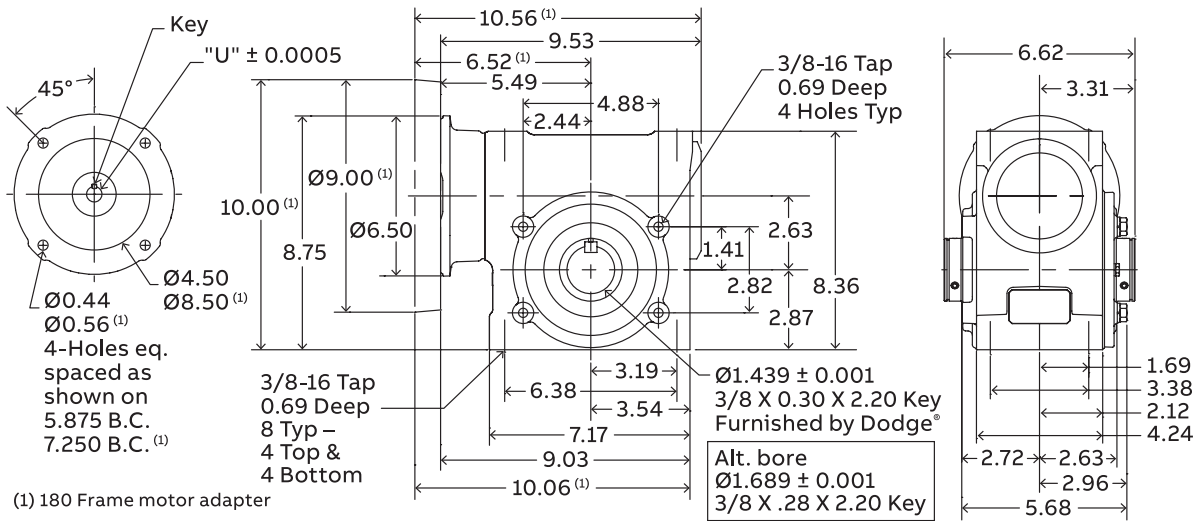
Tigear®-2 reducers with quill input – Size 26

Solid output



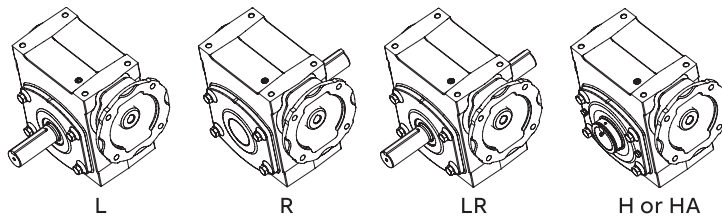
Motor frame	"U"	Key
56C	Ø0.626	3/16 sq. x 1.72 Key
140TC	Ø0.876	3/16 sq. x 1.72 Key
180TC	Ø1.126	1/4 sq. x 2.36 Key

Hollow output



(1) 180 Frame motor adapter

Output shaft configurations



Ratings and dimensions

Tigear®-2 reducers with separate input – Size 26

Tigear-2 reducers with separate input – Size 26

Ratio	Output RPM		Rating data		Separate reducer	Shaft position	Optional motor adapter kit		
			1750 Input RPM				56C	140TC	180TC
5	350	Mechanical input Hp	7.37	26S05L	L	-	2332MTR14	2332MTR18	
		Thermal input Hp	8.79	26S05R	R				
		Output torque (lb. in.)	1247	26S05LR	LR				
		Mechanical output Hp	6.93	26S05H	Hollow				
6.5	269	Output OHL (lbs.)	1330	26S05HA	Hollow alt.				
		Available upon request	-	-	-	-	-	-	
7.5	233	Mechanical input Hp	5.92	26S07L	L	2332MTR56	2332MTR14	2332MTR18	
		Thermal input Hp	6.89	26S07R	R				
		Output torque (lb. in.)	1458	26S07LR	LR				
		Mechanical output Hp	5.47	26S07H	Hollow				
10	175	Output OHL (lbs.)	1520	26S07HA	Hollow alt.				
		Mechanical input Hp	4.83	26S10L	L	2332MTR56	2332MTR14	2332MTR18	
		Thermal input Hp	5.61	26S10R	R				
		Output torque (lb. in.)	1576	26S10LR	LR				
Mechanical output Hp	4.37	26S10H	Hollow						
12.7	138	Output OHL (lbs.)	1610	26S10HA	Hollow alt.				
		Mechanical input Hp	4.08	26S12L	L	2332MTR56	2332MTR14	2332MTR18	
		Thermal input Hp	4.72	26S12R	R				
		Output torque (lb. in.)	1654	26S12LR	LR				
Mechanical output Hp	3.63	26S12H	Hollow						
15	117	Output OHL (lbs.)	1610	26S12HA	Hollow alt.				
		Mechanical input Hp	3.62	26S15L	L	2332MTR56	2332MTR14	2332MTR18	
		Thermal input Hp	4.15	26S15R	R				
		Output torque (lb. in.)	1708	26S15LR	LR				
Mechanical output Hp	3.16	26S15H	Hollow						
18	97	Output OHL (lbs.)	1610	26S15HA	Hollow alt.				
		Mechanical input Hp	3.05	26S18L	L	2332MTR56	2332MTR14	-	
		Thermal input Hp	3.73	26S18R	R				
		Output torque (lb. in.)	1708	26S18LR	LR				
Mechanical output Hp	2.63	26S18H	Hollow						
20	88	Output OHL (lbs.)	1610	26S18HA	Hollow alt.				
		Mechanical input Hp	2.71	26S20L	L	2332MTR56	2332MTR14	-	
		Thermal input Hp	3.71	26S20R	R				
		Output torque (lb. in.)	1673	26S20LR	LR				
Mechanical output Hp	2.32	26S20H	Hollow						
25	70	Output OHL (lbs.)	1610	26S20HA	Hollow alt.				
		Mechanical input Hp	2.26	26S25L	L	2332MTR56	2332MTR14	-	
		Thermal input Hp	3.00	26S25R	R				
		Output torque (lb. in.)	1677	26S25LR	LR				
Mechanical output Hp	1.86	26S25H	Hollow						
30	58	Output OHL (lbs.)	1610	26S25HA	Hollow alt.				
		Mechanical input Hp	2.00	26S30L	L	2332MTR56	2332MTR14	-	
		Thermal input Hp	2.79	26S30R	R				
		Output torque (lb. in.)	1705	26S30LR	LR				
Mechanical output Hp	1.58	26S30H	Hollow						
40	44	Output OHL (lbs.)	1610	26S30HA	Hollow alt.				
		Mechanical input Hp	1.55	26S40L	L	2332MTR56	2332MTR14	-	
		Thermal input Hp	2.14	26S40R	R				
		Output torque (lb. in.)	1685	26S40LR	LR				
Mechanical output Hp	1.17	26S40H	Hollow						
50	35	Output OHL (lbs.)	1610	26S40HA	Hollow alt.				
		Mechanical input Hp	1.32	26S50L	L	2332MTR56	2332MTR14	-	
		Thermal input Hp	1.76	26S50R	R				
		Output torque (lb. in.)	1662	26S50LR	LR				
Mechanical output Hp	0.92	26S50H	Hollow						
60	29	Output OHL (lbs.)	1610	26S50HA	Hollow alt.				
		Mechanical input Hp	1.08	26S60L	L	2332MTR56	2332MTR14	-	
		Thermal input Hp	1.57	26S60R	R				
		Output torque (lb. in.)	1547	26S60LR	LR				
Mechanical output Hp	0.72	26S60H	Hollow						
80	22	Available upon request	-	-	-	-	-	-	
100	18	Available upon request	-	-	-	-	-	-	
All ratios		Input OHL (lbs)	250	One diameter from seal surface					

Note: Tigear-2 separate reducers cannot be used with the old adaptable Tigear motor adapter kits.

Features and benefits

Specification / How to order / Nomenclature

Selection procedures / Hp / Service factor

Ratings / Dimensions

Washdown E-Z Klean®

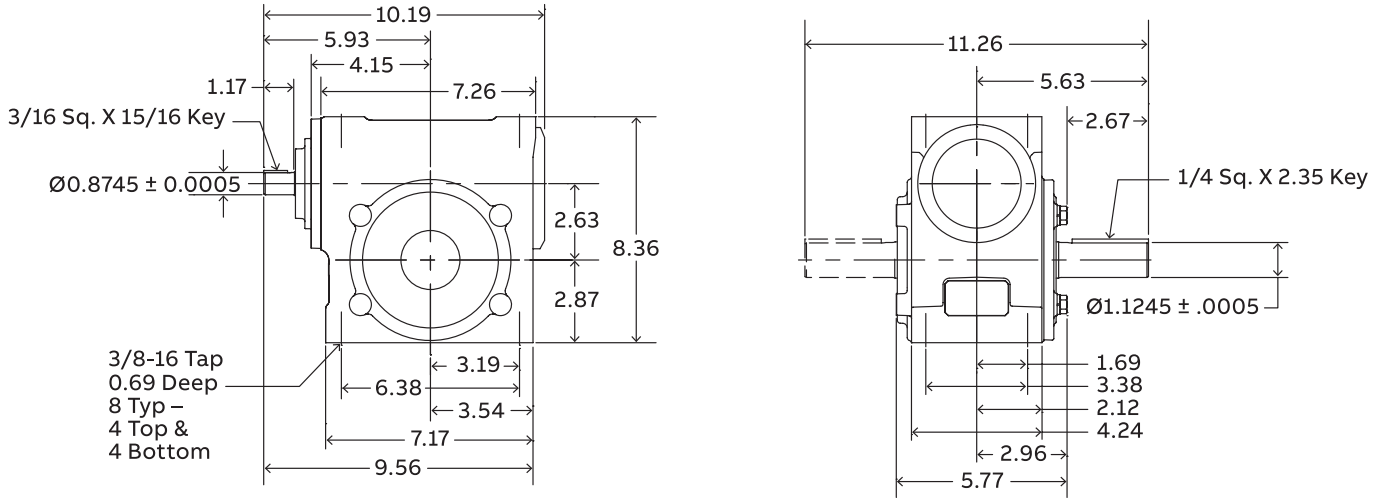
Washdown Food Safe

Food Safe dimensions

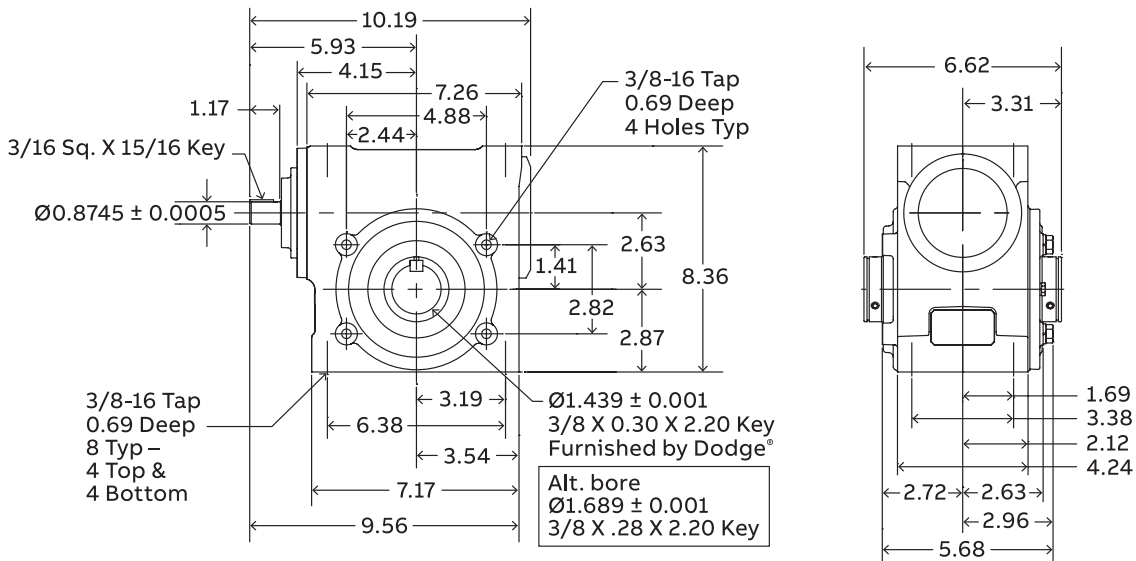
Ratings and dimensions

Tigear®-2 reducers with separate input – Size 26

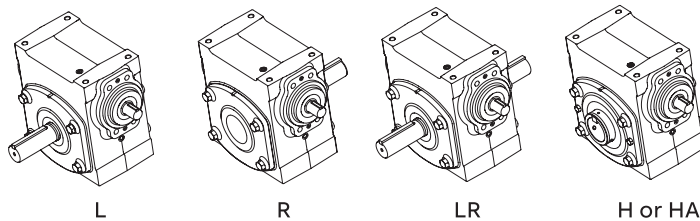
Solid output



Hollow output



Output shaft configurations



Ratings and dimensions

Tigear®-2 reducers with 3-piece coupled input – Size 26

Tigear-2 reducers with 3-piece coupled input – Size 26

3-piece coupled units include a separate reducer, 3-piece coupling and motor adapter housing assembled together.

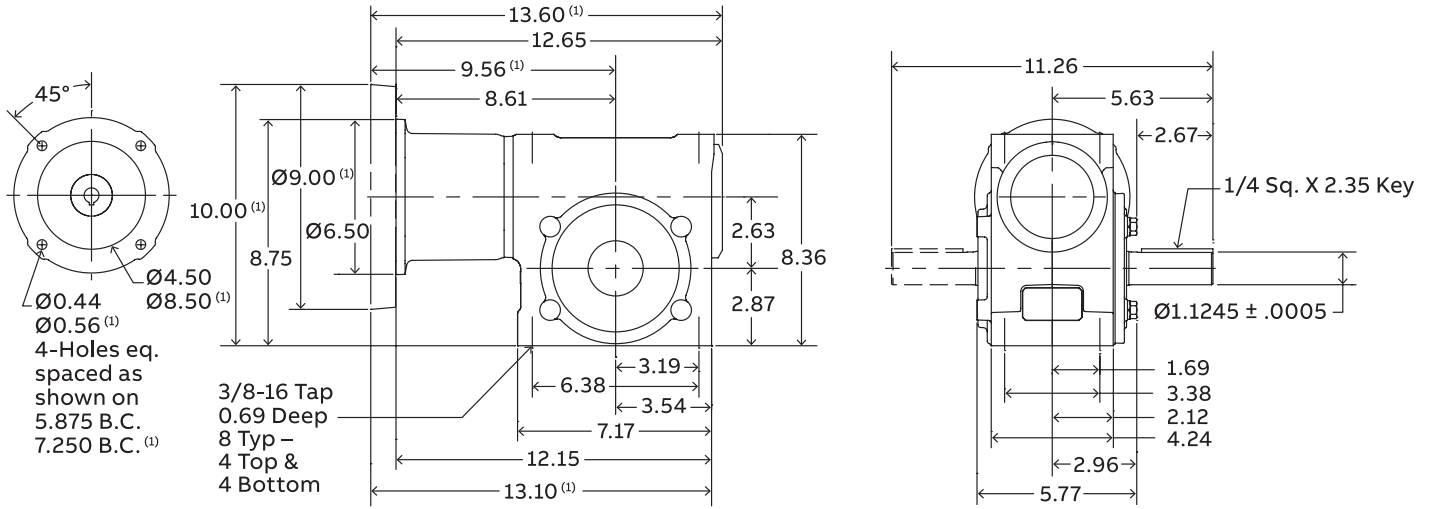
Ratio	Output RPM	Rating data			Part number			Shaft position
		1750 Input RPM	56C	140TC	180TC			
5	350	Mechanical input Hp	7.37		26A05L14	26A05L18		L
		Thermal input Hp	8.79		26A05R14	26A05R18		R
		Output torque (lb. in.)	1247	-	26A05LR14	26A05LR18		LR
		Mechanical output Hp	6.93		26A05H14	26A05H18		Hollow
		Output OHL (lbs.)	1330		26A05HA14	26A05HA18		Hollow alt.
6.5	269	Available upon request	-	-	-	-	-	
7.5	233	Mechanical input Hp	5.92	26A07L56	26A07L14	26A07L18		L
		Thermal input Hp	6.89	26A07R56	26A07R14	26A07R18		R
		Output torque (lb. in.)	1458	26A07LR56	26A07LR14	26A07LR18		LR
		Mechanical output Hp	5.47	26A07H56	26A07H14	26A07H18		Hollow
		Output OHL (lbs.)	1520	26A07HA56	26A07HA14	26A07HA18		Hollow alt.
10	175	Mechanical input Hp	4.83	26A10L56	26A10L14	26A10L18		L
		Thermal input Hp	5.61	26A10R56	26A10R14	26A10R18		R
		Output torque (lb. in.)	1576	26A10LR56	26A10LR14	26A10LR18		LR
		Mechanical output Hp	4.37	26A10H56	26A10H14	26A10H18		Hollow
		Output OHL (lbs.)	1610	26A10HA56	26A10HA14	26A10HA18		Hollow alt.
12.7	138	Mechanical input Hp	4.08	26A12L56	26A12L14	26A12L18		L
		Thermal input Hp	4.72	26A12R56	26A12R14	26A12R18		R
		Output torque (lb. in.)	1654	26A12LR56	26A12LR14	26A12LR18		LR
		Mechanical output Hp	3.63	26A12H56	26A12H14	26A12H18		Hollow
		Output OHL (lbs.)	1610	26A12HA56	26A12HA14	26A12HA18		Hollow alt.
15	117	Mechanical input Hp	3.62	26A15L56	26A15L14	26A15L18		L
		Thermal input Hp	4.15	26A15R56	26A15R14	26A15R18		R
		Output torque (lb. in.)	1708	26A15LR56	26A15LR14	26A15LR18		LR
		Mechanical output Hp	3.16	26A15H56	26A15H14	26A15H18		Hollow
		Output OHL (lbs.)	1610	26A15HA56	26A15HA14	26A15HA18		Hollow alt.
18	97	Mechanical input Hp	3.05	26A18L56	26A18L14	26A18L18		L
		Thermal input Hp	3.73	26A18R56	26A18R14	26A18R18		R
		Output torque (lb. in.)	1708	26A18LR56	26A18LR14	26A18LR18		LR
		Mechanical output Hp	2.63	26A18H56	26A18H14	26A18H18		Hollow
		Output OHL (lbs.)	1610	26A18HA56	26A18HA14	26A18HA18		Hollow alt.
20	88	Mechanical input Hp	2.71	26A20L56	26A20L14			L
		Thermal input Hp	3.71	26A20R56	26A20R14			R
		Output torque (lb. in.)	1673	26A20LR56	26A20LR14			LR
		Mechanical output Hp	2.32	26A20H56	26A20H14			Hollow
		Output OHL (lbs.)	1610	26A20HA56	26A20HA14			Hollow alt.
25	70	Mechanical input Hp	2.26	26A25L56	26A25L14			L
		Thermal input Hp	3.00	26A25R56	26A25R14			R
		Output torque (lb. in.)	1677	26A25LR56	26A25LR14			LR
		Mechanical output Hp	1.86	26A25H56	26A25H14			Hollow
		Output OHL (lbs.)	1610	26A25HA56	26A25HA14			Hollow alt.
30	58	Mechanical input Hp	2.00	26A30L56	26A30L14			L
		Thermal input Hp	2.79	26A30R56	26A30R14			R
		Output torque (lb. in.)	1705	26A30LR56	26A30LR14			LR
		Mechanical output Hp	1.58	26A30H56	26A30H14			Hollow
		Output OHL (lbs.)	1610	26A30HA56	26A30HA14			Hollow alt.
40	44	Mechanical input Hp	1.55	26A40L56	26A40L14			L
		Thermal input Hp	2.14	26A40R56	26A40R14			R
		Output torque (lb. in.)	1685	26A40LR56	26A40LR14			LR
		Mechanical output Hp	1.17	26A40H56	26A40H14			Hollow
		Output OHL (lbs.)	1610	26A40HA56	26A40HA14			Hollow alt.
50	35	Mechanical input Hp	1.32	26A50L56	26A50L14			L
		Thermal input Hp	1.76	26A50R56	26A50R14			R
		Output torque (lb. in.)	1662	26A50LR56	26A50LR14			LR
		Mechanical output Hp	0.92	26A50H56	26A50H14			Hollow
		Output OHL (lbs.)	1610	26A50HA56	26A50HA14			Hollow alt.
60	29	Mechanical input Hp	1.08	26A60L56	26A60L14			L
		Thermal input Hp	1.57	26A60R56	26A60R14			R
		Output torque (lb. in.)	1547	26A60LR56	26A60LR14			LR
		Mechanical output Hp	0.72	26A60H56	26A60H14			Hollow
		Output OHL (lbs.)	1610	26A60HA56	26A60HA14			Hollow alt.
80	22	Available upon request	-	-	-	-	-	
100	18	Available upon request	-	-	-	-	-	

Note: Reducers are shipped without a mounting base. Order bolt-on base kit **26BASE** if required.

Ratings and dimensions

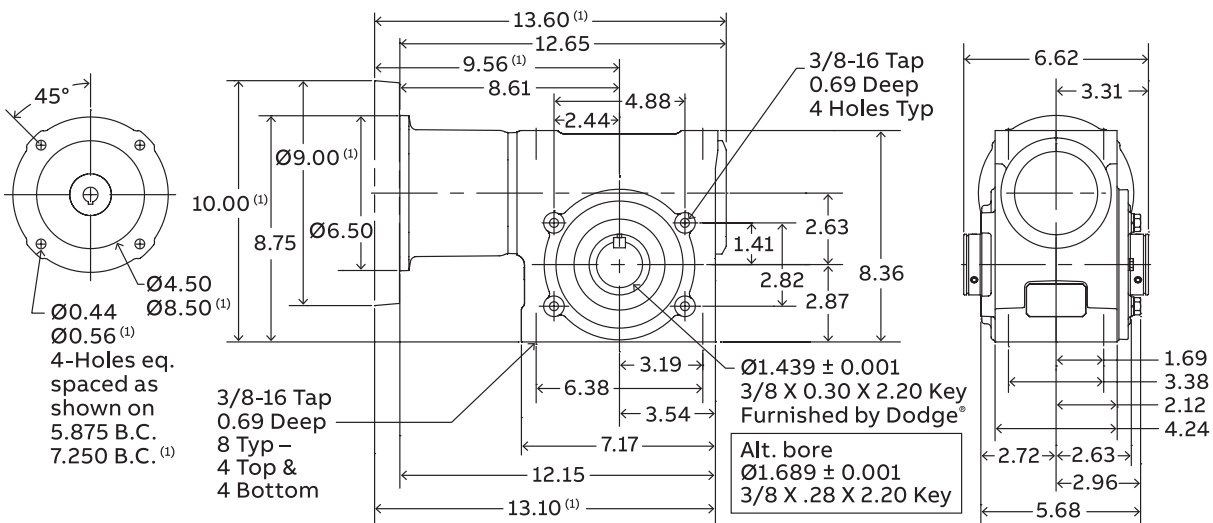
Tigear®-2 reducers with 3-piece coupled input – Size 26

Solid output

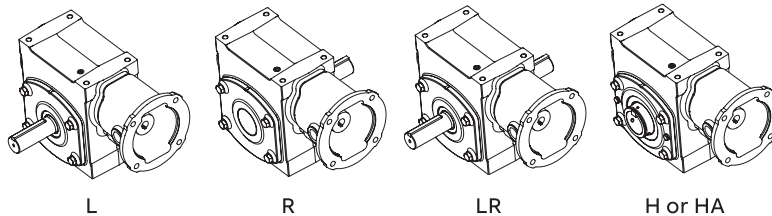


⁽¹⁾ 180 Frame motor adapter

Hollow output



Output shaft configurations



Ratings and dimensions

Tigear®-2 reducers with quill input – Size 30

Tigear-2 reducers with quill input – Size 30

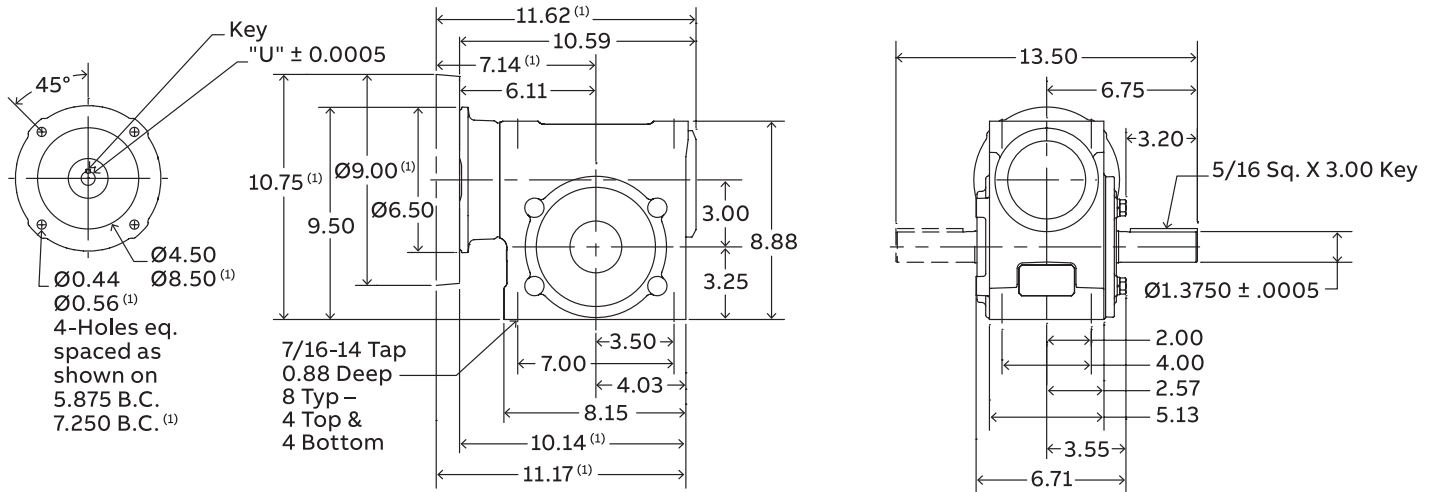
Ratio	Output RPM	Rating data			Part number			Shaft position
		1750 Input RPM	56C	140TC	180TC	180TC	180TC	
5	350	Mechanical input Hp	10.84		30Q05L14	30Q05L18	L	
		Thermal input Hp	12.53		30Q05R14	30Q05R18	R	
		Output torque (lb. in.)	1849	-	30Q05LR14	30Q05LR18	LR	
		Mechanical output Hp	10.27		30Q05H14	30Q05H18	Hollow	
		Output OHL (lbs.)	1330		-	-	-	
6.5	269	Available upon request	-	-	-	-	-	
7.5	233	Mechanical input Hp	8.74		30Q07L14	30Q07L18	L	
		Thermal input Hp	9.64		30Q07R14	30Q07R18	R	
		Output torque (lb. in.)	2171	-	30Q07LR14	30Q07LR18	LR	
		Mechanical output Hp	8.15		30Q07H14	30Q07H18	Hollow	
		Output OHL (lbs.)	1540		-	-	-	
10	175	Mechanical input Hp	7.11		30Q10L14	30Q10L18	L	
		Thermal input Hp	7.85		30Q10R14	30Q10R18	R	
		Output torque (lb. in.)	2347	-	30Q10LR14	30Q10LR18	LR	
		Mechanical output Hp	6.52		30Q10H14	30Q10H18	Hollow	
		Output OHL (lbs.)	1720		-	-	-	
15	117	Mechanical input Hp	5.00		30Q15L14	30Q15L18	L	
		Thermal input Hp	5.72		30Q15R14	30Q15R18	R	
		Output torque (lb. in.)	2371	-	30Q15LR14	30Q15LR18	LR	
		Mechanical output Hp	4.39		30Q15H14	30Q15H18	Hollow	
		Output OHL (lbs.)	2300		-	-	-	
20	88	Mechanical input Hp	3.81	30Q20L56	30Q20L14	30Q20L18	L	
		Thermal input Hp	4.52	30Q20R56	30Q20R14	30Q20R18	R	
		Output torque (lb. in.)	2345	30Q20LR56	30Q20LR14	30Q20LR18	LR	
		Mechanical output Hp	3.26	30Q20H56	30Q20H14	30Q20H18	Hollow	
		Output OHL (lbs.)	2300	-	-	-	-	
25	70	Mechanical input Hp	3.05	30Q25L56	30Q25L14	30Q25L18	L	
		Thermal input Hp	3.90	30Q25R56	30Q25R14	30Q25R18	R	
		Output torque (lb. in.)	2284	30Q25LR56	30Q25LR14	30Q25LR18	LR	
		Mechanical output Hp	2.54	30Q25H56	30Q25H14	30Q25H18	Hollow	
		Output OHL (lbs.)	2300	-	-	-	-	
30	58	Mechanical input Hp	2.75	30Q30L56	30Q30L14		L	
		Thermal input Hp	3.58	30Q30R56	30Q30R14		R	
		Output torque (lb. in.)	2417	30Q30LR56	30Q30LR14	-	LR	
		Mechanical output Hp	2.24	30Q30H56	30Q30H14		Hollow	
		Output OHL (lbs.)	2300	-	-		-	
40	44	Mechanical input Hp	2.09	30Q40L56	30Q40L14		L	
		Thermal input Hp	2.87	30Q40R56	30Q40R14		R	
		Output torque (lb. in.)	2324	30Q40LR56	30Q40LR14	-	LR	
		Mechanical output Hp	1.61	30Q40H56	30Q40H14		Hollow	
		Output OHL (lbs.)	2300	-	-		-	
50	35	Mechanical input Hp	1.75	30Q50L56	30Q50L14		L	
		Thermal input Hp	2.34	30Q50R56	30Q50R14		R	
		Output torque (lb. in.)	2257	30Q50LR56	30Q50LR14	-	LR	
		Mechanical output Hp	1.25	30Q50H56	30Q50H14		Hollow	
		Output OHL (lbs.)	2300	-	-		-	
60	29	Mechanical input Hp	1.50	30Q60L56	30Q60L14		L	
		Thermal input Hp	2.01	30Q60R56	30Q60R14		R	
		Output torque (lb. in.)	2138	30Q60LR56	30Q60LR14	-	LR	
		Mechanical output Hp	0.99	30Q60H56	30Q60H14		Hollow	
		Output OHL (lbs.)	2300	-	-		-	

Note: Reducers are shipped without a mounting base. Order bolt-on base kit **30BASE** if required.

Ratings and dimensions

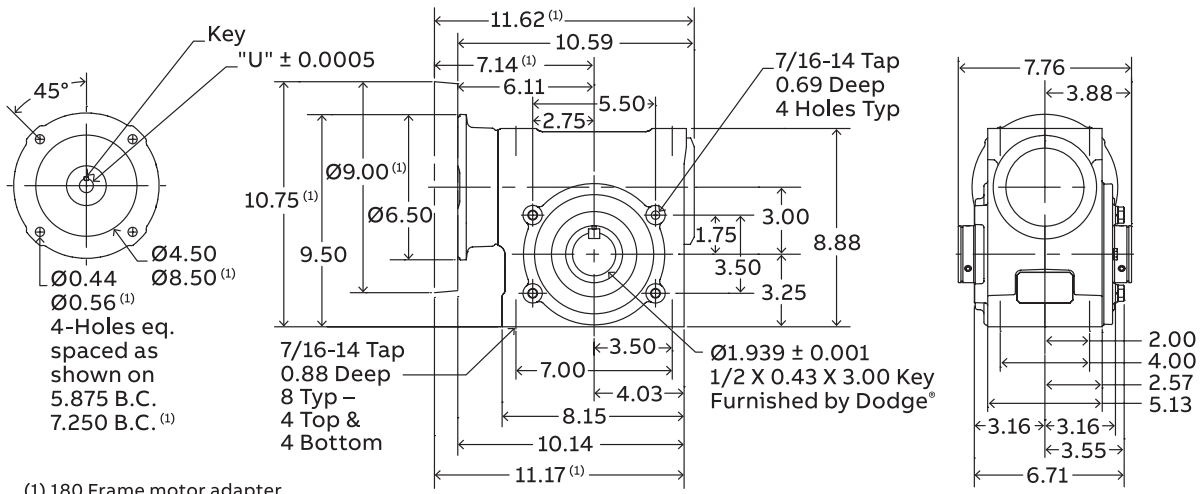
Tigear®-2 reducers with quill input – Size 30

Solid output



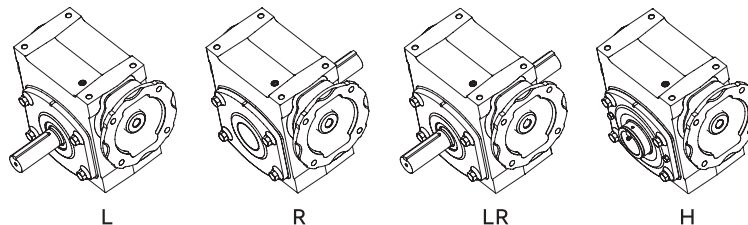
Motor frame	"U"	Key
56C	Ø0.626	3/16 sq. x 1.72 Key
140TC	Ø0.876	3/16 sq. x 1.72 Key
180TC	Ø1.126	1/4 sq. x 2.36 Key

Hollow output



(1) 180 Frame motor adapter

Output shaft configurations



Ratings and dimensions

Tigear®-2 reducers with separate input – Size 30

Tigear-2 reducers with separate input – Size 30

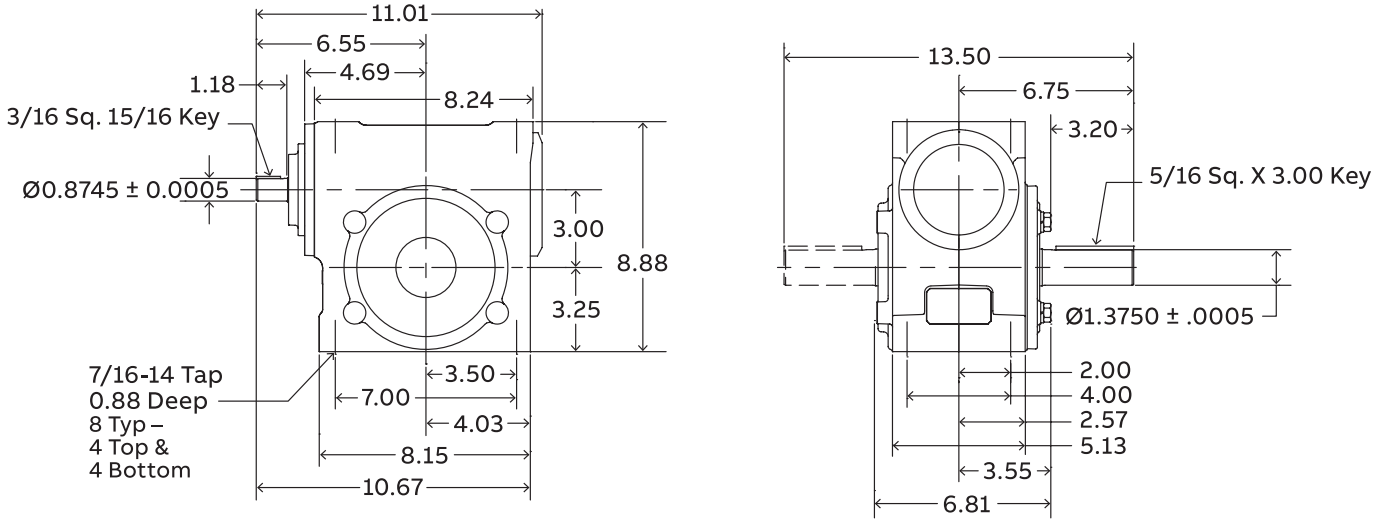
Ratio	Output RPM	Rating data 1750 Input RPM	Separate reducer	Shaft position	Optional motor adapter kit			
					56C	140TC	180TC	
5	350	Mechanical input Hp	10.84	30S05L	L			
		Thermal input Hp	12.53	30S05R	R			
		Output torque (lb. in.)	1849	30S05LR	LR	-	2332MTR14	2332MTR18
		Mechanical output Hp	10.27	30S05H	Hollow			
		Output OHL (lbs.)	1330	-	-			
6.5	269	Available upon request	-	-	-	-	-	
7.5	233	Mechanical input Hp	8.74	30S07L	L			
		Thermal input Hp	9.64	30S07R	R			
		Output torque (lb. in.)	2171	30S07LR	LR	-	2332MTR14	2332MTR18
		Mechanical output Hp	8.15	30S07H	Hollow			
		Output OHL (lbs.)	1540	-	-			
10	175	Mechanical input Hp	7.11	30S10L	L			
		Thermal input Hp	7.85	30S10R	R			
		Output torque (lb. in.)	2347	30S10LR	LR	-	2332MTR14	2332MTR18
		Mechanical output Hp	6.52	30S10H	Hollow			
		Output OHL (lbs.)	1720	-	-			
15	117	Mechanical input Hp	5.00	30S15L	L			
		Thermal input Hp	5.72	30S15R	R			
		Output torque (lb. in.)	2371	30S15LR	LR	-	2332MTR14	2332MTR18
		Mechanical output Hp	4.39	30S15H	Hollow			
		Output OHL (lbs.)	2300	-	-			
20	88	Mechanical input Hp	3.81	30S20L	L			
		Thermal input Hp	4.52	30S20R	R			
		Output torque (lb. in.)	2345	30S20LR	LR	2332MTR56	2332MTR14	2332MTR18
		Mechanical output Hp	3.26	30S20H	Hollow			
		Output OHL (lbs.)	2300	-	-			
25	70	Mechanical input Hp	3.05	30S25L	L			
		Thermal input Hp	3.90	30S25R	R			
		Output torque (lb. in.)	2284	30S25LR	LR	2332MTR56	2332MTR14	2332MTR18
		Mechanical output Hp	2.54	30S25H	Hollow			
		Output OHL (lbs.)	2300	-	-			
30	58	Mechanical input Hp	2.75	30S30L	L			
		Thermal input Hp	3.58	30S30R	R			
		Output torque (lb. in.)	2417	30S30LR	LR	2332MTR56	2332MTR14	-
		Mechanical output Hp	2.24	30S30H	Hollow			
		Output OHL (lbs.)	2300	-	-			
40	44	Mechanical input Hp	2.09	30S40L	L			
		Thermal input Hp	2.87	30S40R	R			
		Output torque (lb. in.)	2324	30S40LR	LR	2332MTR56	2332MTR14	-
		Mechanical output Hp	1.61	30S40H	Hollow			
		Output OHL (lbs.)	2300	-	-			
50	35	Mechanical input Hp	1.75	30S50L	L			
		Thermal input Hp	2.34	30S50R	R			
		Output torque (lb. in.)	2257	30S50LR	LR	2332MTR56	2332MTR14	-
		Mechanical output Hp	1.25	30S50H	Hollow			
		Output OHL (lbs.)	2300	-	-			
60	29	Mechanical input Hp	1.50	30S60L	L			
		Thermal input Hp	2.01	30S60R	R			
		Output torque (lb. in.)	2138	30S60LR	LR	2332MTR56	2332MTR14	-
		Mechanical output Hp	0.99	30S60H	Hollow			
		Output OHL (lbs.)	2300	-	-			
All ratios		Input OHL (lbs.)	280			One diameter from seal surface		

Note: Tigear-2 separate reducers cannot be used with the old adaptable Tigear motor adapter kits.

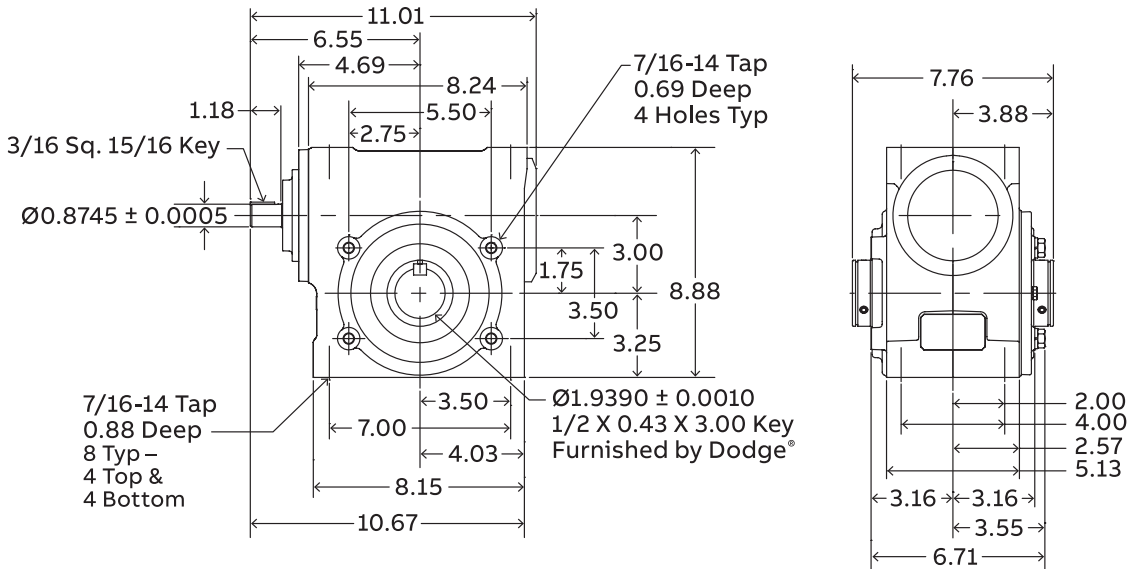
Ratings and dimensions

Tigear®-2 reducers with separate input – Size 30

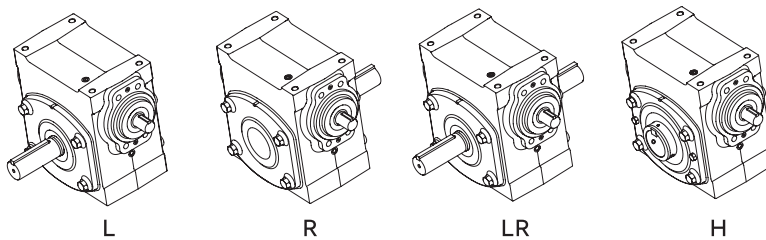
Solid output



Hollow output



Output shaft configurations



Ratings and dimensions

Tigear®-2 reducers with 3-piece coupled input – Size 30

Tigear-2 reducers with 3-piece coupled input – Size 30

3-piece coupled units include a separate reducer, 3-piece coupling and motor adapter housing assembled together.

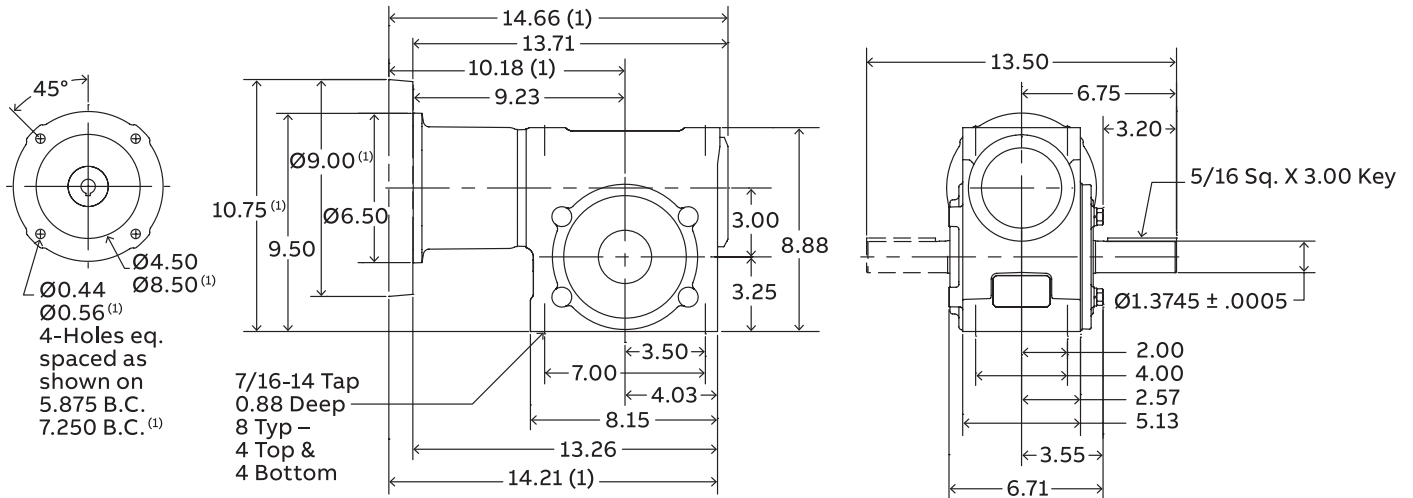
Ratio	Output RPM	Rating data			Part number			Shaft position
		1750 Input RPM	56C	140TC	180TC			
5	350	Mechanical input Hp	10.84		30A05L14	30A05L18	L	
		Thermal input Hp	12.53		30A05R14	30A05R18	R	
		Output torque (lb. in.)	1849	-	30A05LR14	30A05LR18	LR	
		Mechanical output Hp	10.27		30A05H14	30A05H18	Hollow	
		Output OHL (lbs.)	1330		-	-	-	
6.5	269	Available upon request	-	-	-	-	-	
7.5	233	Mechanical input Hp	8.74		30A07L14	30A07L18	L	
		Thermal input Hp	9.64		30A07R14	30A07R18	R	
		Output torque (lb. in.)	2171	-	30A07LR14	30A07LR18	LR	
		Mechanical output Hp	8.15		30A07H14	30A07H18	Hollow	
		Output OHL (lbs.)	1540		-	-	-	
10	175	Mechanical input Hp	7.11		30A10L14	30A10L18	L	
		Thermal input Hp	7.85		30A10R14	30A10R18	R	
		Output torque (lb. in.)	2347	-	30A10LR14	30A10LR18	LR	
		Mechanical output Hp	6.52		30A10H14	30A10H18	Hollow	
		Output OHL (lbs.)	1720		-	-	-	
15	117	Mechanical input Hp	5.00		30A15L14	30A15L18	L	
		Thermal input Hp	5.72		30A15R14	30A15R18	R	
		Output torque (lb. in.)	2371	-	30A15LR14	30A15LR18	LR	
		Mechanical output Hp	4.39		30A15H14	30A15H18	Hollow	
		Output OHL (lbs.)	2300		-	-	-	
20	88	Mechanical input Hp	3.81	30A20L56	30A20L14	30A20L18	L	
		Thermal input Hp	4.52	30A20R56	30A20R14	30A20R18	R	
		Output torque (lb. in.)	2345	30A20LR56	30A20LR14	30A20LR18	LR	
		Mechanical output Hp	3.26	30A20H56	30A20H14	30A20H18	Hollow	
		Output OHL (lbs.)	2300	-	-	-	-	
25	70	Mechanical input Hp	3.05	30A25L56	30A25L14	30A25L18	L	
		Thermal input Hp	3.90	30A25R56	30A25R14	30A25R18	R	
		Output torque (lb. in.)	2284	30A25LR56	30A25LR14	30A25LR18	LR	
		Mechanical output Hp	2.54	30A25H56	30A25H14	30A25H18	Hollow	
		Output OHL (lbs.)	2300	-	-	-	-	
30	58	Mechanical input Hp	2.75	30A30L56	30A30L14		L	
		Thermal input Hp	3.58	30A30R56	30A30R14		R	
		Output torque (lb. in.)	2417	30A30LR56	30A30LR14	-	LR	
		Mechanical output Hp	2.24	30A30H56	30A30H14		Hollow	
		Output OHL (lbs.)	2300	-	-		-	
40	44	Mechanical input Hp	2.09	30A40L56	30A40L14		L	
		Thermal input Hp	2.87	30A40R56	30A40R14		R	
		Output torque (lb. in.)	2324	30A40LR56	30A40LR14	-	LR	
		Mechanical output Hp	1.61	30A40H56	30A40H14		Hollow	
		Output OHL (lbs.)	2300	-	-		-	
50	35	Mechanical input Hp	1.75	30A50L56	30A50L14		L	
		Thermal input Hp	2.34	30A50R56	30A50R14		R	
		Output torque (lb. in.)	2257	30A50LR56	30A50LR14	-	LR	
		Mechanical output Hp	1.25	30A50H56	30A50H14		Hollow	
		Output OHL (lbs.)	2300	-	-		-	
60	29	Mechanical input Hp	1.50	30A60L56	30A60L14		L	
		Thermal input Hp	2.01	30A60R56	30A60R14		R	
		Output torque (lb. in.)	2138	30A60LR56	30A60LR14	-	LR	
		Mechanical output Hp	0.99	30A60H56	30A60H14		Hollow	
		Output OHL (lbs.)	2300	-	-		-	

Note: Reducers are shipped without a mounting base. Order bolt-on base kit **30BASE** if required.

Ratings and dimensions

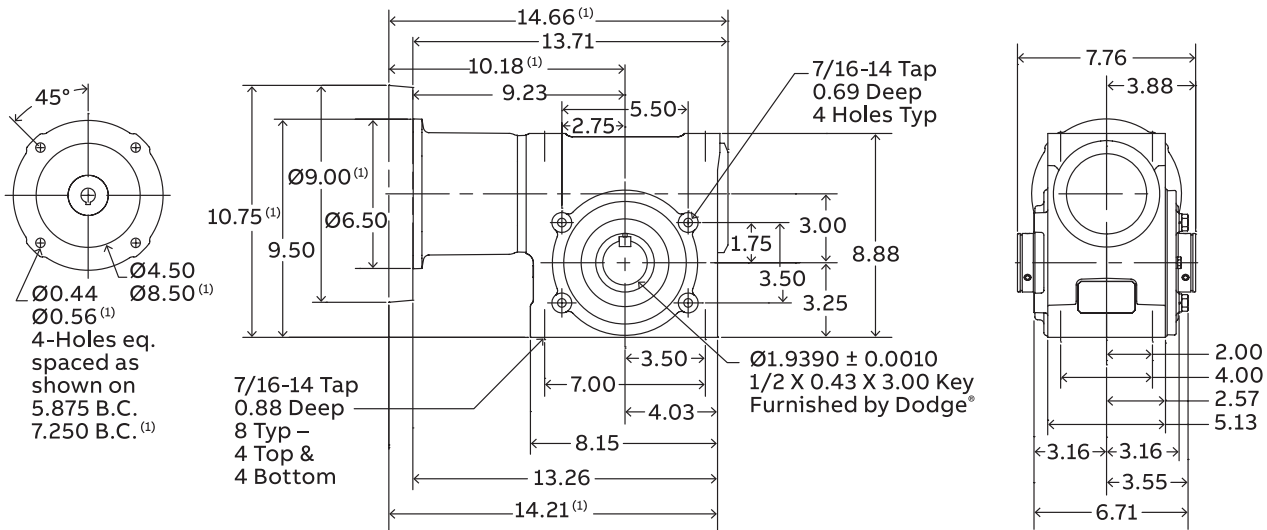
Tigear®-2 reducers with 3-piece coupled input – Size 30

Solid output

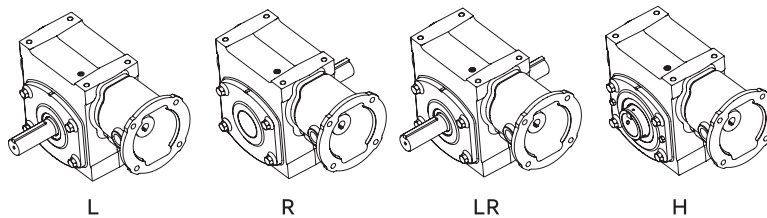


⁽¹⁾ 180 Frame motor adapter

Hollow output



Output shaft configurations



Ratings and dimensions

Tigear®-2 reducers with quill input – Size 32

Tigear-2 reducers with quill input – Size 32

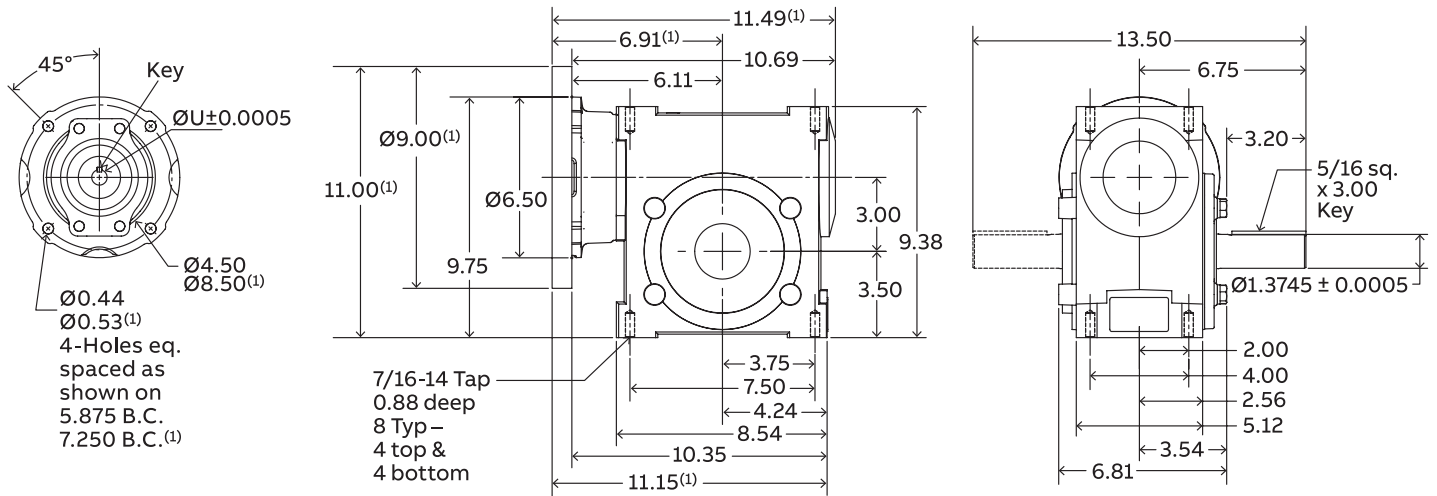
Ratio	Output RPM	Rating data			Part number			Shaft position
		1750 Input RPM	56C	140TC	180TC			
5	350	Mechanical input Hp	10.84		32Q05L14	32Q05L18	L	
		Thermal input Hp	12.53		32Q05R14	32Q05R18	R	
		Output torque (lb. in.)	1849	-	32Q05LR14	32Q05LR18	LR	
		Mechanical output Hp	10.27		32Q05H14	32Q05H18	Hollow	
		Output OHL (lbs.)	1330		-	-	-	
6.5	269	Available Upon Request	-	-	-	-	-	
7.5	233	Mechanical input Hp	8.74		32Q07L14	32Q07L18	L	
		Thermal input Hp	9.64		32Q07R14	32Q07R18	R	
		Output torque (lb. in.)	2171	-	32Q07LR14	32Q07LR18	LR	
		Mechanical output Hp	8.15		32Q07H14	32Q07H18	Hollow	
		Output OHL (lbs.)	1540		-	-	-	
10	175	Mechanical input Hp	7.11		32Q10L14	32Q10L18	L	
		Thermal input Hp	7.85		32Q10R14	32Q10R18	R	
		Output torque (lb. in.)	2347	-	32Q10LR14	32Q10LR18	LR	
		Mechanical output Hp	6.52		32Q10H14	32Q10H18	Hollow	
		Output OHL (lbs.)	1720		-	-	-	
15	117	Mechanical input Hp	5		32Q15L14	32Q15L18	L	
		Thermal input Hp	5.72		32Q15R14	32Q15R18	R	
		Output torque (lb. in.)	2371	-	32Q15LR14	32Q15LR18	LR	
		Mechanical output Hp	4.39		32Q15H14	32Q15H18	Hollow	
		Output OHL (lbs.)	2300		-	-	-	
20	88	Mechanical input Hp	3.81	32Q20L56	32Q20L14	32Q20L18	L	
		Thermal input Hp	4.52	32Q20R56	32Q20R14	32Q20R18	R	
		Output torque (lb. in.)	2345	32Q20LR56	32Q20LR14	32Q20LR18	LR	
		Mechanical output Hp	3.26	32Q20H56	32Q20H14	32Q20H18	Hollow	
		Output OHL (lbs.)	2300	-	-	-	-	
25	70	Mechanical input Hp	3.05	32Q25L56	32Q25L14	32Q25L18	L	
		Thermal input Hp	3.9	32Q25R56	32Q25R14	32Q25R18	R	
		Output torque (lb. in.)	2284	32Q25LR56	32Q25LR14	32Q25LR18	LR	
		Mechanical output Hp	2.54	32Q25H56	32Q25H14	32Q25H18	Hollow	
		Output OHL (lbs.)	2300	-	-	-	-	
30	58	Mechanical input Hp	2.75	32Q30L56	32Q30L14	-	L	
		Thermal input Hp	3.58	32Q30R56	32Q30R14	-	R	
		Output torque (lb. in.)	2417	32Q30LR56	32Q30LR14	-	LR	
		Mechanical output Hp	2.24	32Q30H56	32Q30H14	-	Hollow	
		Output OHL (lbs.)	2300	-	-	-	-	
40	44	Mechanical input Hp	2.09	32Q40L56	32Q40L14	-	L	
		Thermal input Hp	2.87	32Q40R56	32Q40R14	-	R	
		Output torque (lb. in.)	2324	32Q40LR56	32Q40LR14	-	LR	
		Mechanical output Hp	1.61	32Q40H56	32Q40H14	-	Hollow	
		Output OHL (lbs.)	2300	-	-	-	-	
50	35	Mechanical input Hp	1.75	32Q50L56	32Q50L14	-	L	
		Thermal input Hp	2.34	32Q50R56	32Q50R14	-	R	
		Output torque (lb. in.)	2257	32Q50LR56	32Q50LR14	-	LR	
		Mechanical output Hp	1.25	32Q50H56	32Q50H14	-	Hollow	
		Output OHL (lbs.)	2300	-	-	-	-	
60	29	Mechanical input Hp	1.5	32Q60L56	32Q60L14	-	L	
		Thermal input Hp	2.01	32Q60R56	32Q60R14	-	R	
		Output torque (lb. in.)	2138	32Q60LR56	32Q60LR14	-	LR	
		Mechanical output Hp	0.99	32Q60H56	32Q60H14	-	Hollow	
		Output OHL (lbs.)	2300	-	-	-	-	

Note: Reducers are shipped without a mounting base. Order bolt-on base kit **32BASE** if required.

Ratings and dimensions

Tigear®-2 reducers with quill input – Size 32

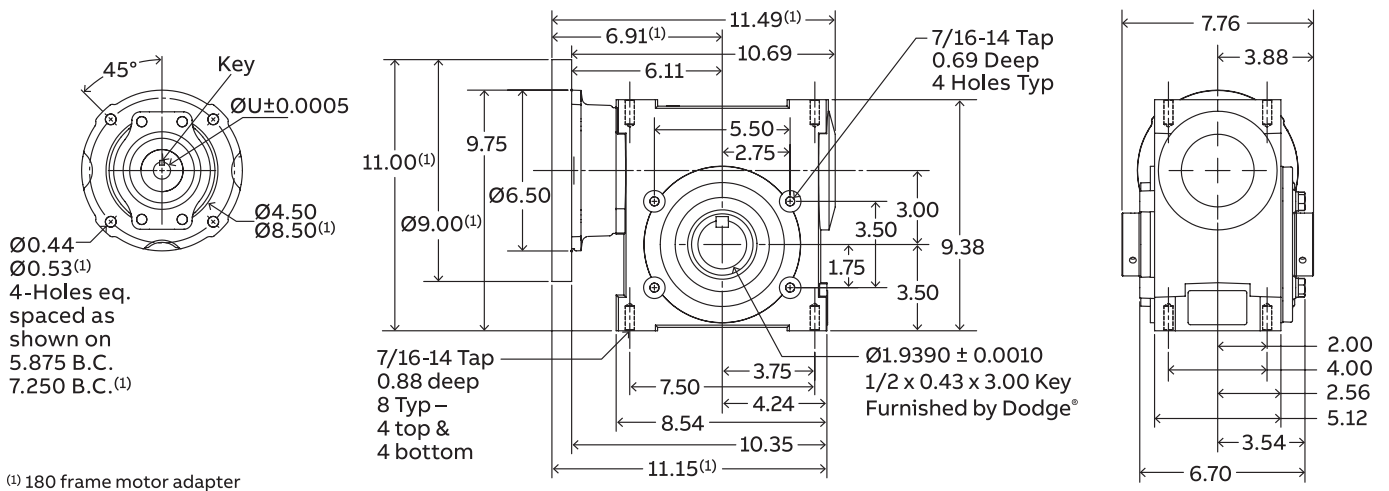
Solid output



⁽¹⁾ 180 frame motor adapter

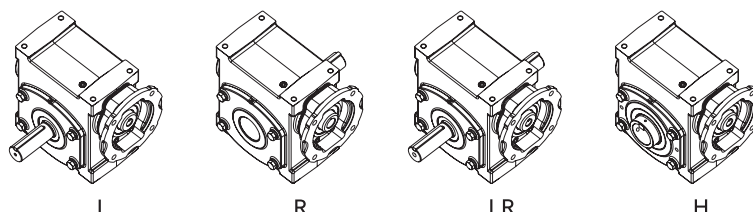
Motor frame	Dim "U"	Key
56C	Ø.626	3/16 sq. x 2.43 Key
140TC	Ø.876	3/16 sq. x 2.43 Key
180TC	Ø 1.126	1/4 sq. x 2.36 Key

Hollow output



⁽¹⁾ 180 frame motor adapter

Output shaft configurations



Ratings and dimensions

Tigear®-2 reducers with separate input – Size 32

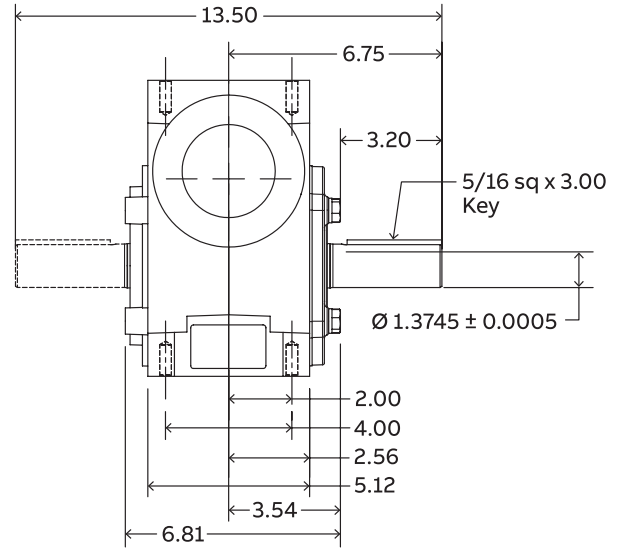
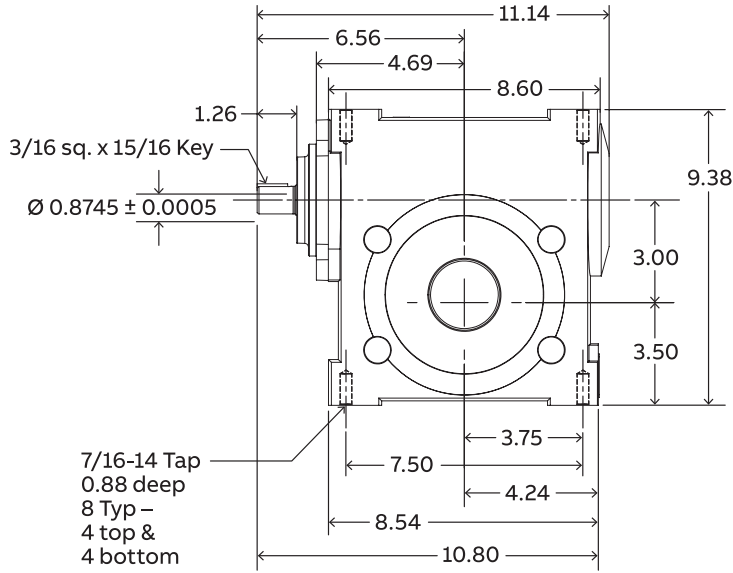
Tigear-2 reducers with separate input – Size 32

Ratio	Output RPM	Rating data 1750 Input RPM	Separate reducer	Shaft position	Optional motor adapter kit			
					56C	140TC	180TC	
5	350	Mechanical input Hp	10.84	32S05L	L			
		Thermal input Hp	12.53	32S05R	R			
		Output torque (lb. in.)	1849	32S05LR	LR	-	2332MTR14	2332MTR18
		Mechanical output Hp	10.27	32S05H	Hollow			
		Output OHL (lbs.)	1330	-	-			
6.5	269	Available upon request	-	-	-	-	-	
7.5	233	Mechanical input Hp	8.74	32S07L	L			
		Thermal input Hp	9.64	32S07R	R			
		Output torque (lb. in.)	2171	32S07LR	LR	-	2332MTR14	2332MTR18
		Mechanical output Hp	8.15	32S07H	Hollow			
		Output OHL (lbs.)	1540	-	-			
10	175	Mechanical input Hp	7.11	32S10L	L			
		Thermal input Hp	7.85	32S10R	R			
		Output torque (lb. in.)	2347	32S10LR	LR	-	2332MTR14	2332MTR18
		Mechanical output Hp	6.52	32S10H	Hollow			
		Output OHL (lbs.)	1720	-	-			
15	117	Mechanical input Hp	5.00	32S15L	L			
		Thermal input Hp	5.72	32S15R	R			
		Output torque (lb. in.)	2371	32S15LR	LR	-	2332MTR14	2332MTR18
		Mechanical output Hp	4.39	32S15H	Hollow			
		Output OHL (lbs.)	2300	-	-			
20	88	Mechanical input Hp	3.81	32S20L	L			
		Thermal input Hp	4.52	32S20R	R			
		Output torque (lb. in.)	2345	32S20LR	LR	2332MTR56	2332MTR14	2332MTR18
		Mechanical output Hp	3.26	32S20H	Hollow			
		Output OHL (lbs.)	2300	-	-			
25	70	Mechanical input Hp	3.05	32S25L	L			
		Thermal input Hp	3.9	32S25R	R			
		Output torque (lb. in.)	2284	32S25LR	LR	2332MTR56	2332MTR14	2332MTR18
		Mechanical output Hp	2.54	32S25H	Hollow			
		Output OHL (lbs.)	2300	-	-			
30	58	Mechanical input Hp	2.75	32S30L	L			
		Thermal input Hp	3.58	32S30R	R			
		Output torque (lb. in.)	2417	32S30LR	LR	2332MTR56	2332MTR14	-
		Mechanical output Hp	2.24	32S30H	Hollow			
		Output OHL (lbs.)	2300	-	-			
40	44	Mechanical input Hp	2.09	32S40L	L			
		Thermal input Hp	2.87	32S40R	R			
		Output torque (lb. in.)	2324	32S40LR	LR	2332MTR56	2332MTR14	-
		Mechanical output Hp	1.61	32S40H	Hollow			
		Output OHL (lbs.)	2300	-	-			
50	35	Mechanical input Hp	1.75	32S50L	L			
		Thermal input Hp	2.34	32S50R	R			
		Output torque (lb. in.)	2257	32S50LR	LR	2332MTR56	2332MTR14	-
		Mechanical output Hp	1.25	32S50H	Hollow			
		Output OHL (lbs.)	2300	-	-			
60	29	Mechanical input Hp	1.5	32S60L	L			
		Thermal input Hp	2.01	32S60R	R			
		Output torque (lb. in.)	2138	32S60LR	LR	2332MTR56	2332MTR14	-
		Mechanical output Hp	0.99	32S60H	Hollow			
		Output OHL (lbs.)	2300	-	-			
All ratios		Input OHL (lbs.)	280			One diameter from seal surface		

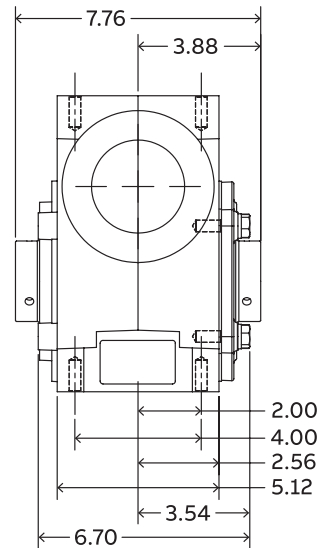
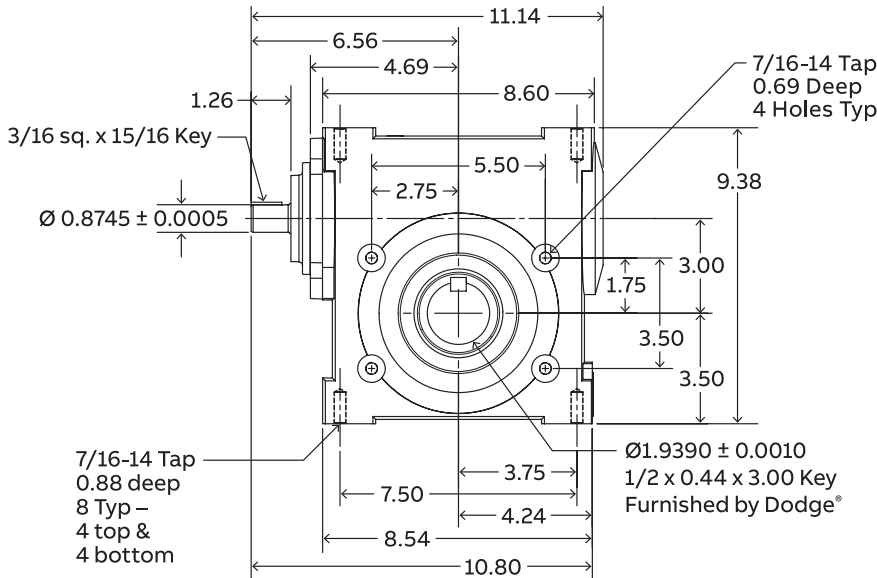
Ratings and dimensions

Tigear®-2 reducers with separate input – Size 32

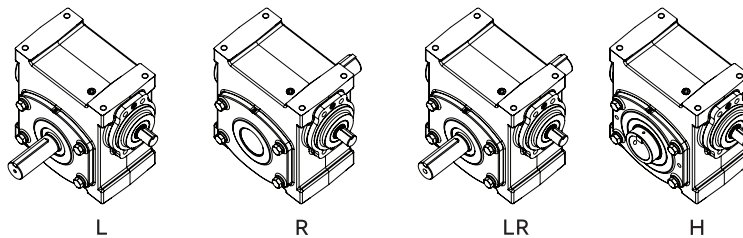
Solid output



Hollow output



Output shaft configurations



Ratings and dimensions

Tigear®-2 reducers with 3-piece coupled input – Size 32

Tigear-2 reducers with 3-piece coupled input – Size 32

3-piece coupled units include a separate reducer, 3-piece coupling and motor adapter housing assembled together.

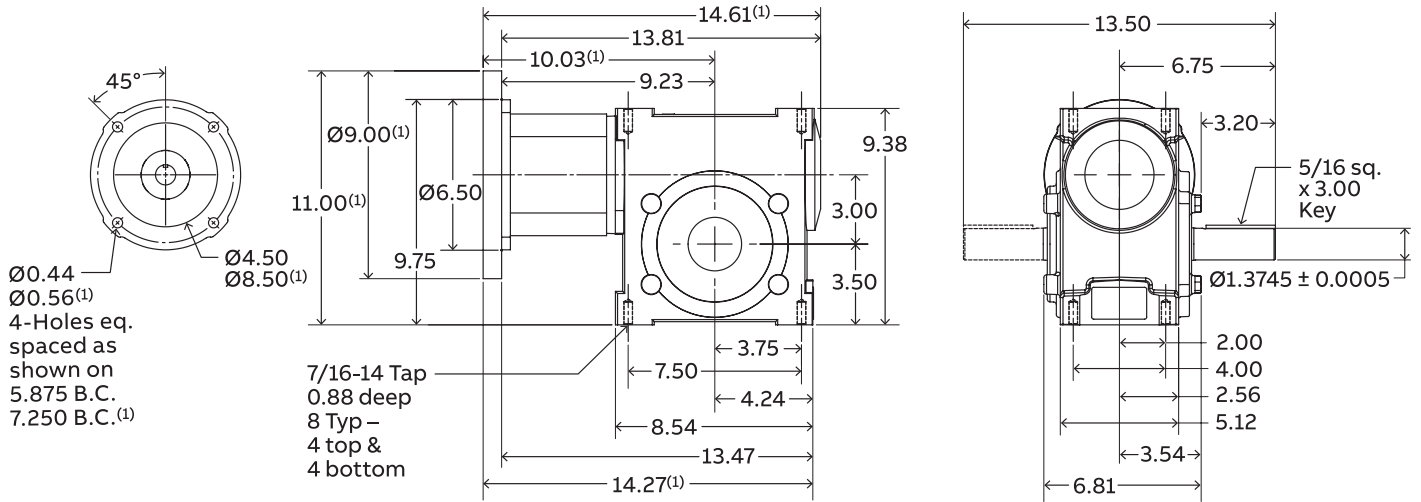
Ratio	Output RPM	Rating data			Part number			Shaft position
		1750 Input RPM	56C	140TC	180TC	180TC		
5	350	Mechanical input Hp	10.84		32A05L14	32A05L18	L	
		Thermal input Hp	12.53		32A05R14	32A05R18	R	
		Output torque (lb. in.)	1849	-	32A05LR14	32A05LR18	LR	
		Mechanical output Hp	10.27		32A05H14	32A05H18	Hollow	
		Output OHL (lbs.)	1330		-	-	-	
6.5	269	Available Upon Request	-	-	-	-	-	
7.5	233	Mechanical input Hp	8.74		32A07L14	32A07L18	L	
		Thermal input Hp	9.64		32A07R14	32A07R18	R	
		Output torque (lb. in.)	2171	-	32A07LR14	32A07LR18	LR	
		Mechanical output Hp	8.15		32A07H14	32A07H18	Hollow	
		Output OHL (lbs.)	1540		-	-	-	
10	175	Mechanical input Hp	7.11		32A10L14	32A10L18	L	
		Thermal input Hp	7.85		32A10R14	32A10R18	R	
		Output torque (lb. in.)	2347	-	32A10LR14	32A10LR18	LR	
		Mechanical output Hp	6.52		32A10H14	32A10H18	Hollow	
		Output OHL (lbs.)	1720		-	-	-	
15	117	Mechanical input Hp	5.00		32A15L14	32A15L18	L	
		Thermal input Hp	5.72		32A15R14	32A15R18	R	
		Output torque (lb. in.)	2371	-	32A15LR14	32A15LR18	LR	
		Mechanical output Hp	4.39		32A15H14	32A15H18	Hollow	
		Output OHL (lbs.)	2300		-	-	-	
20	88	Mechanical input Hp	3.81	32A20L56	32A20L14	32A20L18	L	
		Thermal input Hp	4.52	32A20R56	32A20R14	32A20R18	R	
		Output torque (lb. in.)	2345	32A20LR56	32A20LR14	32A20LR18	LR	
		Mechanical output Hp	3.26	32A20H56	32A20H14	32A20H18	Hollow	
		Output OHL (lbs.)	2300	-	-	-	-	
25	70	Mechanical input Hp	3.05	32A25L56	32A25L14	32A25L18	L	
		Thermal input Hp	3.9	32A25R56	32A25R14	32A25R18	R	
		Output torque (lb. in.)	2284	32A25LR56	32A25LR14	32A25LR18	LR	
		Mechanical output Hp	2.54	32A25H56	32A25H14	32A25H18	Hollow	
		Output OHL (lbs.)	2300	-	-	-	-	
30	58	Mechanical input Hp	2.75	32A30L56	32A30L14		L	
		Thermal input Hp	3.58	32A30R56	32A30R14		R	
		Output torque (lb. in.)	2417	32A30LR56	32A30LR14	-	LR	
		Mechanical output Hp	2.24	32A30H56	32A30H14		Hollow	
		Output OHL (lbs.)	2300	-	-		-	
40	44	Mechanical input Hp	2.09	32A40L56	32A40L14		L	
		Thermal input Hp	2.87	32A40R56	32A40R14		R	
		Output torque (lb. in.)	2324	32A40LR56	32A40LR14	-	LR	
		Mechanical output Hp	1.61	32A40H56	32A40H14		Hollow	
		Output OHL (lbs.)	2300	-	-		-	
50	35	Mechanical input Hp	1.75	32A50L56	32A50L14		L	
		Thermal input Hp	2.34	32A50R56	32A50R14		R	
		Output torque (lb. in.)	2257	32A50LR56	32A50LR14	-	LR	
		Mechanical output Hp	1.25	32A50H56	32A50H14		Hollow	
		Output OHL (lbs.)	2300	-	-		-	
60	29	Mechanical input Hp	1.5	32A60L56	32A60L14		L	
		Thermal input Hp	2.01	32A60R56	32A60R14		R	
		Output torque (lb. in.)	2138	32A60LR56	32A60LR14	-	LR	
		Mechanical output Hp	0.99	32A60H56	32A60H14		Hollow	
		Output OHL (lbs.)	2300	-	-		-	

Note: Reducers are shipped without a mounting base. Order bolt-on base kit **32BASE** if required.

Ratings and dimensions

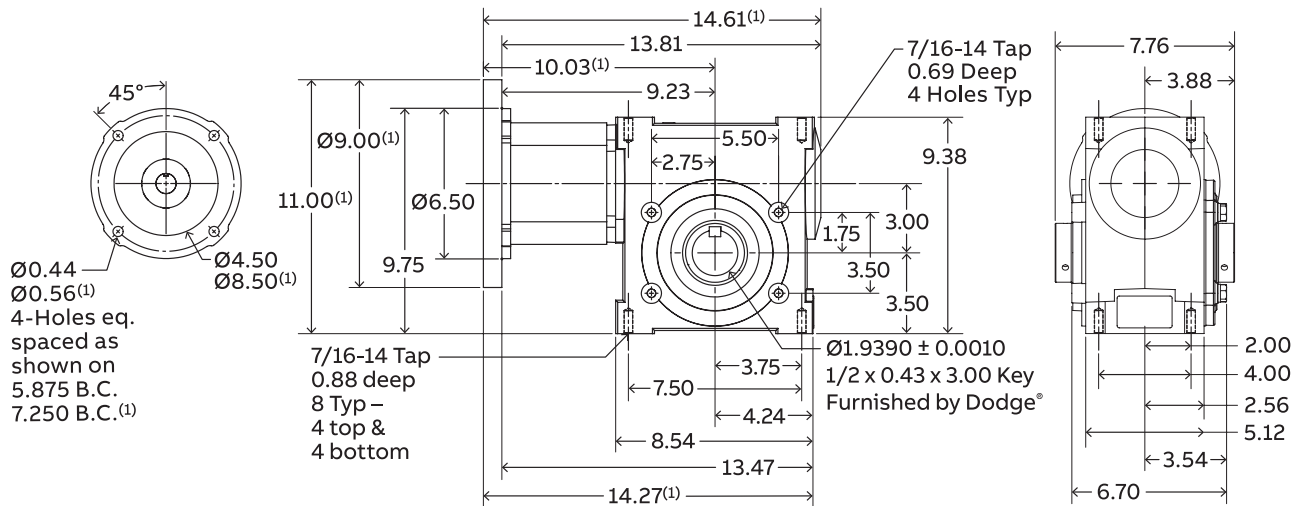
Tigear®-2 reducers with 3-piece coupled input – Size 32

Solid output



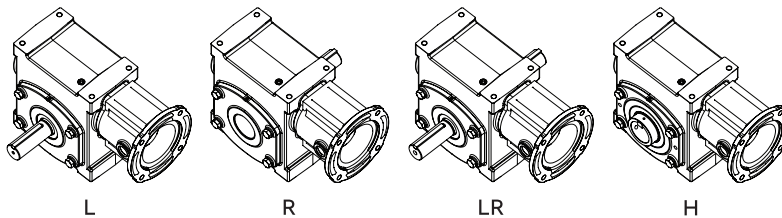
(1) 180 frame motor adapter

Hollow output



(1) 180 frame motor adapter

Output shaft configurations



Ratings and dimensions

Tigear®-2 reducers with quill input – Size 35

Tigear-2 reducers with quill input – Size 35

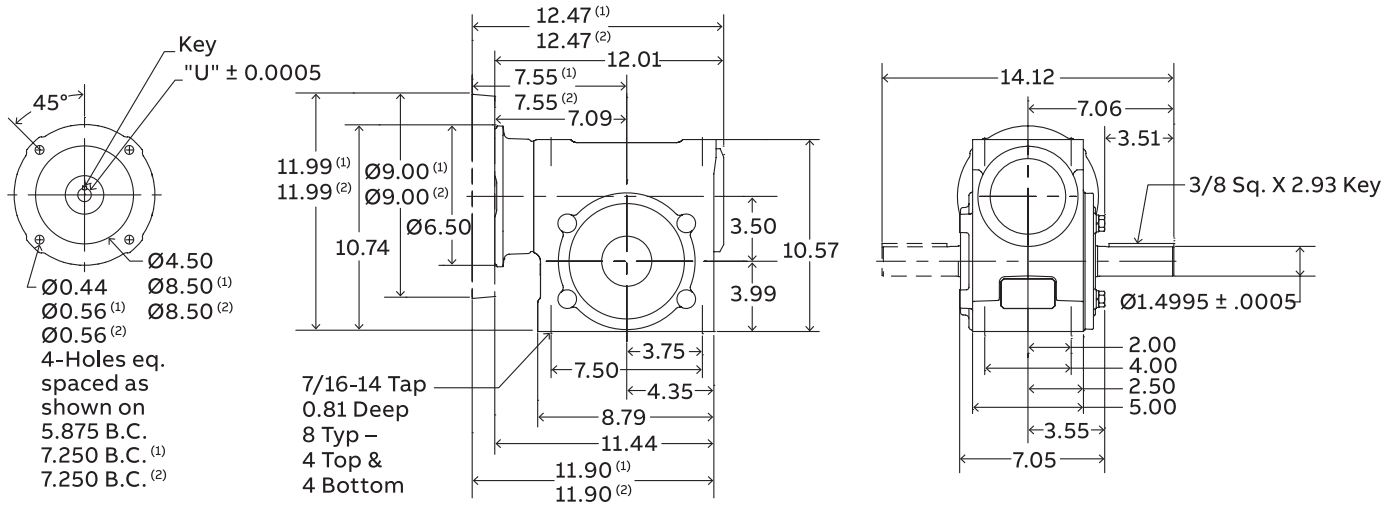
Ratio	Output RPM	Rating data				Part number			Shaft position
		1750 Input RPM	56C	140TC	180TC	210TC			
5	350	Mechanical input Hp	15.18		35Q05L14	35Q05L18	35Q05L21	L	
		Thermal input Hp	15.51		35Q05R14	35Q05R18	35Q05R21	R	
		Output torque (lb. in.)	2593	-	35Q05LR14	35Q05LR18	35Q05LR21	LR	
		Mechanical output Hp	14.40		35Q05H14	35Q05H18	35Q05H21	Hollow	
		Output OHL (lbs.)	2120		-	-	-	-	
7.5	233	Mechanical input Hp	12.24		35Q07L14	35Q07L18	35Q07L21	L	
		Thermal input Hp	12.52		35Q07R14	35Q07R18	35Q07R21	R	
		Output torque (lb. in.)	3054	-	35Q07LR14	35Q07LR18	35Q07LR21	LR	
		Mechanical output Hp	11.46		35Q07H14	35Q07H18	35Q07H21	Hollow	
		Output OHL (lbs.)	2430		-	-	-	-	
10	175	Mechanical input Hp	10.00		35Q10L14	35Q10L18	35Q10L21	L	
		Thermal input Hp	10.63		35Q10R14	35Q10R18	35Q10R21	R	
		Output torque (lb. in.)	3310	-	35Q10LR14	35Q10LR18	35Q10LR21	LR	
		Mechanical output Hp	9.19		35Q10H14	35Q10H18	35Q10H21	Hollow	
		Output OHL (lbs.)	2700		-	-	-	-	
12.7	138	Mechanical input Hp	8.51		35Q12L14	35Q12L18	35Q12L21	L	
		Thermal input Hp	8.75		35Q12R14	35Q12R18	35Q12R21	R	
		Output torque (lb. in.)	3530	-	35Q12LR14	35Q12LR18	35Q12LR21	LR	
		Mechanical output Hp	7.74		35Q12H14	35Q12H18	35Q12H21	Hollow	
		Output OHL (lbs.)	2760		-	-	-	-	
15	117	Mechanical input Hp	7.44		35Q15L14	35Q15L18		L	
		Thermal input Hp	7.56		35Q15R14	35Q15R18		R	
		Output torque (lb. in.)	3599	-	35Q15LR14	35Q15LR18		LR	
		Mechanical output Hp	6.66		35Q15H14	35Q15H18		Hollow	
		Output OHL (lbs.)	2760		-	-		-	
18	97	Available upon request	-	-	-	-	-	-	
		Mechanical input Hp	5.79		35Q20L14	35Q20L18		L	
		Thermal input Hp	5.97		35Q20R14	35Q20R18		R	
		Output torque (lb. in.)	3620	-	35Q20LR14	35Q20LR18		LR	
		Mechanical output Hp	5.03		35Q20H14	35Q20H18		Hollow	
20	88	Output OHL (lbs.)	2760		-	-		-	
		Mechanical input Hp	4.72		35Q25L14	35Q25L18		L	
		Thermal input Hp	5.10		35Q25R14	35Q25R18		R	
		Output torque (lb. in.)	3586	-	35Q25LR14	35Q25LR18		LR	
		Mechanical output Hp	3.98		35Q25H14	35Q25H18		Hollow	
25	70	Output OHL (lbs.)	2760		-	-		-	
		Mechanical input Hp	4.15	35Q30L56	35Q30L14	35Q30L18		L	
		Thermal input Hp	4.43	35Q30R56	35Q30R14	35Q30R18		R	
		Output torque (lb. in.)	3682	35Q30LR56	35Q30LR14	35Q30LR18		LR	
		Mechanical output Hp	3.41	35Q30H56	35Q30H14	35Q30H18		Hollow	
30	58	Output OHL (lbs.)	2760		-	-		-	
		Mechanical input Hp	3.23	35Q40L56	35Q40L14	35Q40L18		L	
		Thermal input Hp	3.54	35Q40R56	35Q40R14	35Q40R18		R	
		Output torque (lb. in.)	3622	35Q40LR56	35Q40LR14	35Q40LR18		LR	
		Mechanical output Hp	2.51	35Q40H56	35Q40H14	35Q40H18		Hollow	
40	44	Output OHL (lbs.)	2760		-	-		-	
		Mechanical input Hp	2.64	35Q50L56	35Q50L14			L	
		Thermal input Hp	2.94	35Q50R56	35Q50R14			R	
		Output torque (lb. in.)	3485	35Q50LR56	35Q50LR14			LR	
		Mechanical output Hp	1.94	35Q50H56	35Q50H14			Hollow	
50	35	Output OHL (lbs.)	2760		-	-		-	
		Mechanical input Hp	2.19	35Q60L56	35Q60L14			L	
		Thermal input Hp	2.43	35Q60R56	35Q60R14			R	
		Output torque (lb. in.)	3194	35Q60LR56	35Q60LR14			LR	
		Mechanical output Hp	1.48	35Q60H56	35Q60H14			Hollow	
60	29	Output OHL (lbs.)	2760		-	-		-	

Note: Reducers are shipped without a mounting base. Order bolt-on base kit **35BASE** if required.

Ratings and dimensions

Tigear®-2 reducers with quill input – Size 35

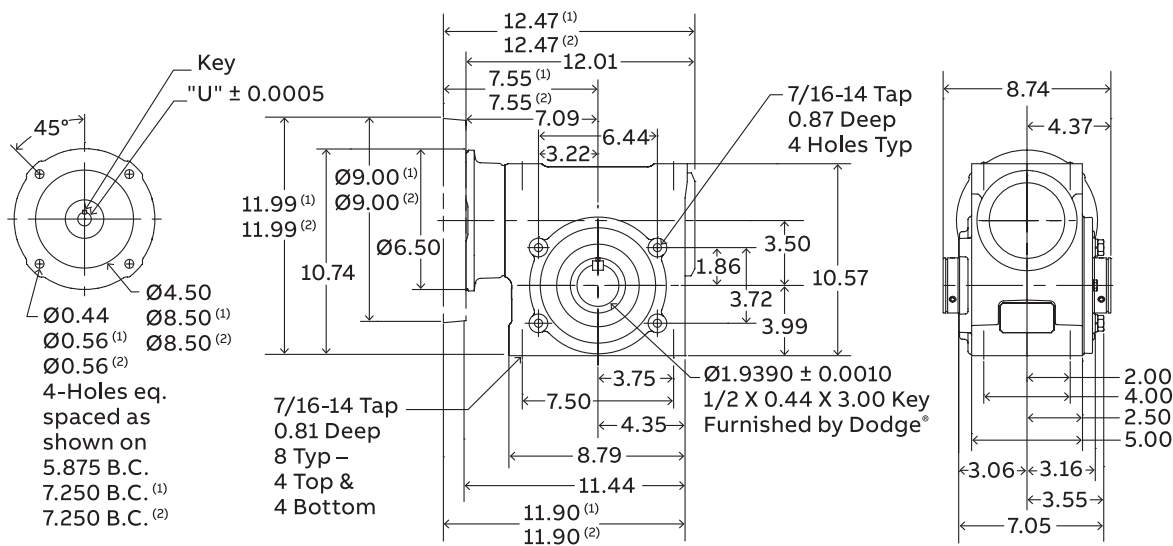
Solid output



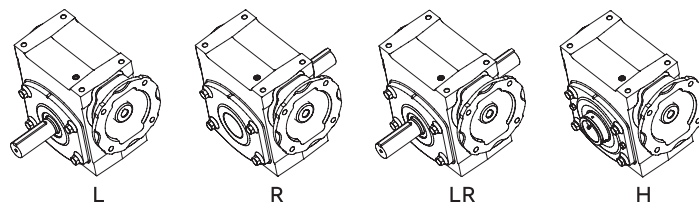
(1) 180 Frame motor adapter
(2) 210 Frame motor adapter

Motor frame	"U"	Key
56C	Ø0.626	3/16 sq. x 2.43 Key
140TC	Ø0.876	3/16 sq. x 2.43 Key
180TC	Ø0.1.126	1/4 sq. x 2.36 Key
210TC	Ø1.376	5/16 sq. x 2.57 Key

Hollow output



Output shaft configurations



Ratings and dimensions

Tigear®-2 reducers with separate input – Size 35

Tigear-2 reducers with separate input – Size 35

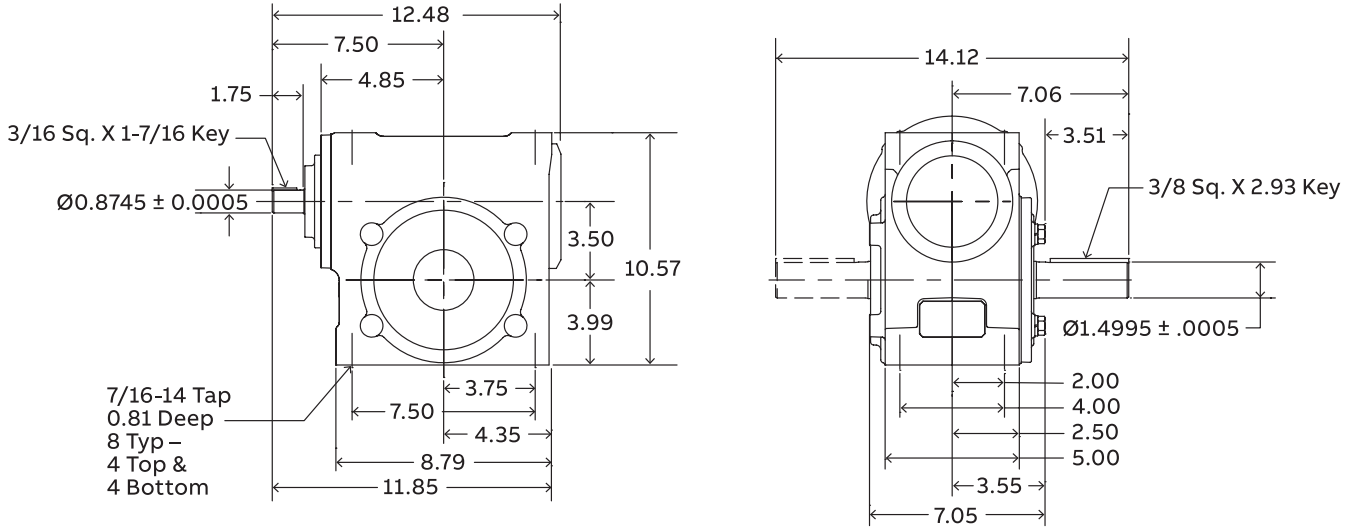
Ratio	Output RPM	Rating data		Separate reducer	Shaft position	Optional motor adapter kit			
		1750 Input	Input RPM			56C	140TC	180TC	210TC
5	350	Mechanical input Hp	15.18	35S05L	L				
		Thermal input Hp	15.51	35S05R	R				
		Output torque (lb. in.)	2593	35S05LR	LR	-	3538MTR14	3538MTR18	3538MTR21
		Mechanical output Hp	14.40	35S05H	Hollow				
		Output OHL (lbs.)	2120	-	-				
7.5	233	Mechanical input Hp	12.24	35S07L	L				
		Thermal input Hp	12.52	35S07R	R				
		Output torque (lb. in.)	3054	35S07LR	LR	-	3538MTR14	3538MTR18	3538MTR21
		Mechanical output Hp	11.46	35S07H	Hollow				
		Output OHL (lbs.)	2430	-	-				
10	175	Mechanical input Hp	10.00	35S10L	L				
		Thermal input Hp	10.63	35S10R	R				
		Output torque (lb. in.)	3310	35S10LR	LR	-	3538MTR14	3538MTR18	3538MTR21
		Mechanical output Hp	9.19	35S10H	Hollow				
		Output OHL (lbs.)	2700	-	-				
12.7	138	Mechanical input Hp	8.51	35S12L	L				
		Thermal input Hp	8.75	35S12R	R				
		Output torque (lb. in.)	3530	35S12LR	LR	-	3538MTR14	3538MTR18	3538MTR21
		Mechanical output Hp	7.74	35S12H	Hollow				
		Output OHL (lbs.)	2760	-	-				
15	117	Mechanical input Hp	7.44	35S15L	L				
		Thermal input Hp	7.56	35S15R	R				
		Output torque (lb. in.)	3599	35S15LR	LR	-	3538MTR14	3538MTR18	-
		Mechanical output Hp	6.66	35S15H	Hollow				
		Output OHL (lbs.)	2760	-	-				
18	97	Available upon request	-	-	-	-	-	-	-
		Mechanical input Hp	5.79	35S20L	L				
		Thermal input Hp	5.97	35S20R	R				
		Output torque (lb. in.)	3620	35S20LR	LR	-	3538MTR14	3538MTR18	-
		Mechanical output Hp	5.03	35S20H	Hollow				
20	88	Output OHL (lbs.)	2760	-	-				
		Mechanical input Hp	4.72	35S25L	L				
		Thermal input Hp	5.10	35S25R	R				
		Output torque (lb. in.)	3586	35S25LR	LR	-	3538MTR14	3538MTR18	-
		Mechanical output Hp	3.98	35S25H	Hollow				
25	70	Output OHL (lbs.)	2760	-	-				
		Mechanical input Hp	4.15	35S30L	L				
		Thermal input Hp	4.43	35S30R	R				
		Output torque (lb. in.)	3682	35S30LR	LR	3538MTR56	3538MTR14	3538MTR18	-
		Mechanical output Hp	3.41	35S30H	Hollow				
30	58	Output OHL (lbs.)	2760	-	-				
		Mechanical input Hp	3.23	35S40L	L				
		Thermal input Hp	3.54	35S40R	R				
		Output torque (lb. in.)	3622	35S40LR	LR	3538MTR56	3538MTR14	3538MTR18	-
		Mechanical output Hp	2.51	35S40H	Hollow				
40	44	Output OHL (lbs.)	2760	-	-				
		Mechanical input Hp	2.64	35S50L	L				
		Thermal input Hp	2.94	35S50R	R				
		Output torque (lb. in.)	3485	35S50LR	LR	3538MTR56	3538MTR14	-	-
		Mechanical output Hp	1.94	35S50H	Hollow				
50	35	Output OHL (lbs.)	2760	-	-				
		Mechanical input Hp	2.19	35S60L	L				
		Thermal input Hp	2.43	35S60R	R				
		Output torque (lb. in.)	3194	35S60LR	LR	3538MTR56	3538MTR14	-	-
		Mechanical output Hp	1.48	35S60H	Hollow				
60	29	Output OHL (lbs.)	2760	-	-				
		Mechanical input Hp	2.19	35S60L	L				
		Thermal input Hp	2.43	35S60R	R				
		Output torque (lb. in.)	3194	35S60LR	LR	3538MTR56	3538MTR14	-	-
		Mechanical output Hp	1.48	35S60H	Hollow				
All ratios		Input OHL (lbs)	330						One diameter from seal surface

Note: Tigear-2 separate reducers cannot be used with the old adaptable Tigear motor adapter kits.

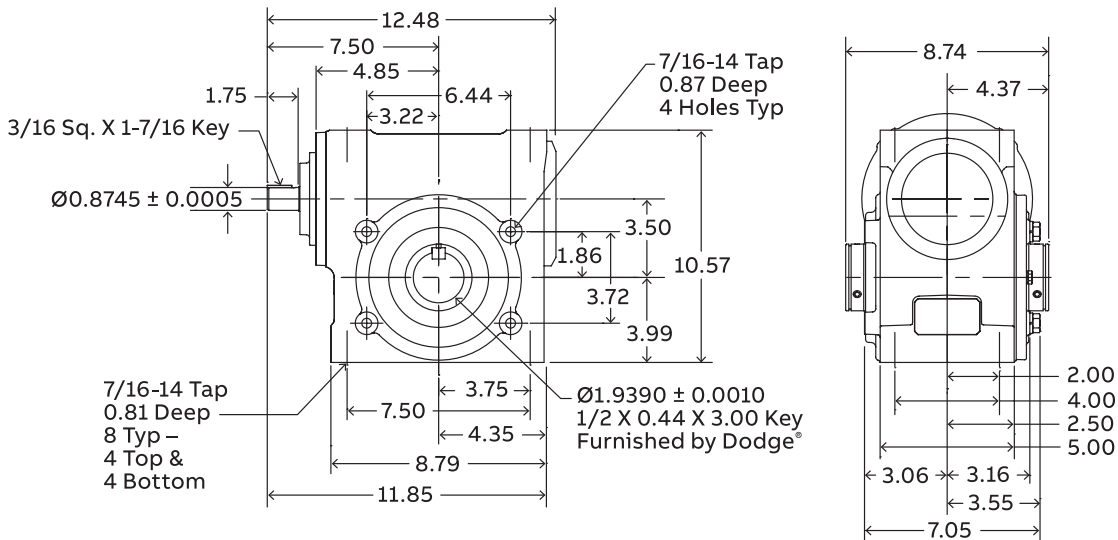
Ratings and dimensions

Tigear®-2 reducers with separate input – Size 35

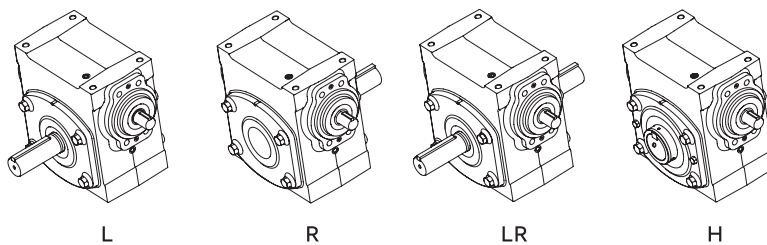
Solid output



Hollow output



Output shaft configurations



Ratings and dimensions

Tigear®-2 reducers with 3-piece coupled input – Size 35

Tigear-2 reducers with 3-piece coupled input – Size 35

3-piece coupled units include a separate reducer, 3-piece coupling and motor adapter housing assembled together.

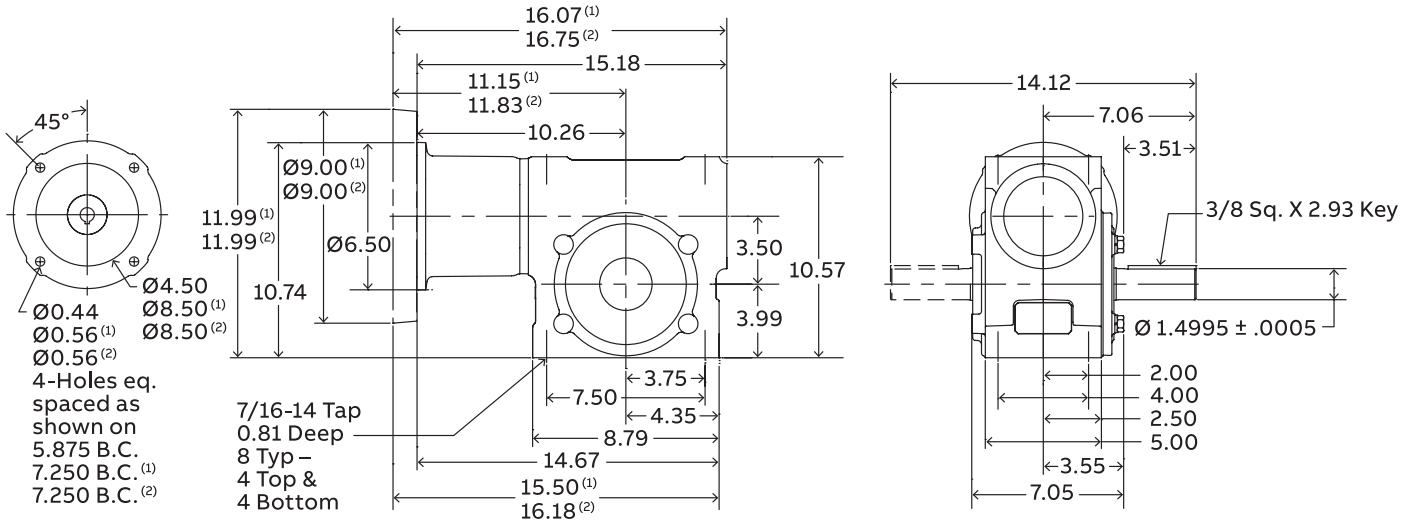
Ratio	Output RPM	Rating data				Part number			Shaft position
		1750 Input RPM	56C	140TC	180TC	210TC			
5	350	Mechanical input Hp	15.18		35A05L14	35A05L18	35A05L21	L	
		Thermal input Hp	15.51		35A05R14	35A05R18	35A05R21	R	
		Output torque (lb. in.)	2593	-	35A05LR14	35A05LR18	35A05LR21	LR	
		Mechanical output Hp	14.40		35A05H14	35A05H18	35A05H21	Hollow	
		Output OHL (lbs.)	2120		-	-	-	-	
7.5	233	Mechanical input Hp	12.24		35A07L14	35A07L18	35A07L21	L	
		Thermal input Hp	12.52		35A07R14	35A07R18	35A07R21	R	
		Output torque (lb. in.)	3054	-	35A07LR14	35A07LR18	35A07LR21	LR	
		Mechanical output Hp	11.46		35A07H14	35A07H18	35A07H21	Hollow	
		Output OHL (lbs.)	2430		-	-	-	-	
10	175	Mechanical input Hp	10.00		35A10L14	35A10L18	35A10L21	L	
		Thermal input Hp	10.63		35A10R14	35A10R18	35A10R21	R	
		Output torque (lb. in.)	3310	-	35A10LR14	35A10LR18	35A10LR21	LR	
		Mechanical output Hp	9.19		35A10H14	35A10H18	35A10H21	Hollow	
		Output OHL (lbs.)	2700		-	-	-	-	
12.7	138	Mechanical input Hp	8.51		35A12L14	35A12L18	35A12L21	L	
		Thermal input Hp	8.75		35A12R14	35A12R18	35A12R21	R	
		Output torque (lb. in.)	3530	-	35A12LR14	35A12LR18	35A12LR21	LR	
		Mechanical output Hp	7.74		35A12H14	35A12H18	35A12H21	Hollow	
		Output OHL (lbs.)	2760		-	-	-	-	
15	117	Mechanical input Hp	7.44		35A15L14	35A15L18		L	
		Thermal input Hp	7.56		35A15R14	35A15R18		R	
		Output torque (lb. in.)	3599	-	35A15LR14	35A15LR18		LR	
		Mechanical output Hp	6.66		35A15H14	35A15H18		Hollow	
		Output OHL (lbs.)	2760		-	-	-	-	
18	97	Available upon request	-		-	-	-	-	
		Mechanical input Hp	5.79		35A20L14	35A20L18		L	
		Thermal input Hp	5.97		35A20R14	35A20R18		R	
		Output torque (lb. in.)	3620	-	35A20LR14	35A20LR18		LR	
		Mechanical output Hp	5.03		35A20H14	35A20H18		Hollow	
20	88	Output OHL (lbs.)	2760		-	-	-	-	
		Mechanical input Hp	4.72		35A25L14	35A25L18		L	
		Thermal input Hp	5.10		35A25R14	35A25R18		R	
		Output torque (lb. in.)	3586	-	35A25LR14	35A25LR18		LR	
		Mechanical output Hp	3.98		35A25H14	35A25H18		Hollow	
25	70	Output OHL (lbs.)	2760		-	-	-	-	
		Mechanical input Hp	4.15	35A30L56	35A30L14	35A30L18		L	
		Thermal input Hp	4.43	35A30R56	35A30R14	35A30R18		R	
		Output torque (lb. in.)	3682	35A30LR56	35A30LR14	35A30LR18		LR	
		Mechanical output Hp	3.41	35A30H56	35A30H14	35A30H18		Hollow	
30	58	Output OHL (lbs.)	2760		-	-	-	-	
		Mechanical input Hp	3.23	35A40L56	35A40L14	35A40L18		L	
		Thermal input Hp	3.54	35A40R56	35A40R14	35A40R18		R	
		Output torque (lb. in.)	3622	35A40LR56	35A40LR14	35A40LR18		LR	
		Mechanical output Hp	2.51	35A40H56	35A40H14	35A40H18		Hollow	
40	44	Output OHL (lbs.)	2760		-	-	-	-	
		Mechanical input Hp	2.64	35A50L56	35A50L14		L		
		Thermal input Hp	2.94	35A50R56	35A50R14		R		
		Output torque (lb. in.)	3485	35A50LR56	35A50LR14		LR		
		Mechanical output Hp	1.94	35A50H56	35A50H14		Hollow		
50	35	Output OHL (lbs.)	2760		-	-	-	-	
		Mechanical input Hp	2.19	35A60L56	35A60L14		L		
		Thermal input Hp	2.43	35A60R56	35A60R14		R		
		Output torque (lb. in.)	3194	35A60LR56	35A60LR14		LR		
		Mechanical output Hp	1.48	35A60H56	35A60H14		Hollow		
60	29	Output OHL (lbs.)	2760		-	-	-	-	

Note: Reducers are shipped without a mounting base. Order bolt-on base kit **35BASE** if required.

Ratings and dimensions

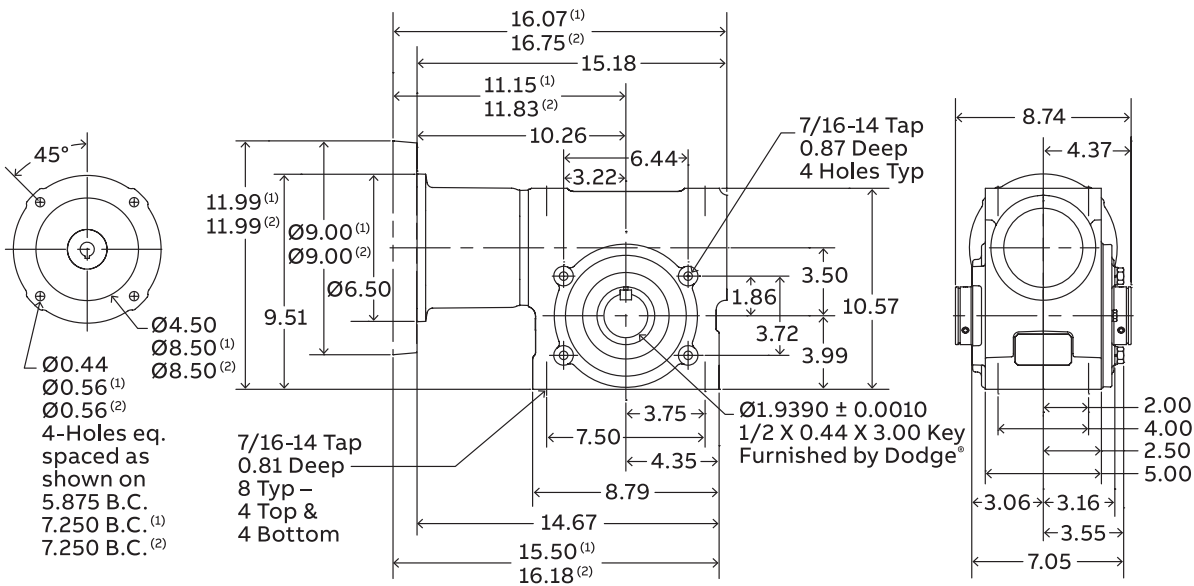
Tigear®-2 reducers with 3-piece coupled input – Size 35

Solid output

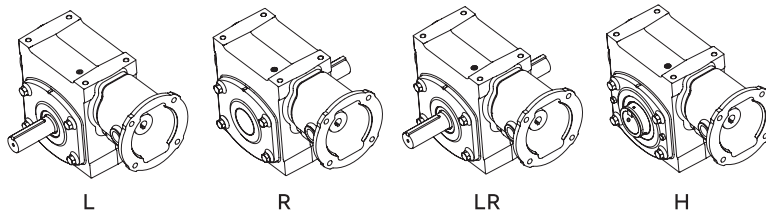


⁽¹⁾ 180 Frame motor adapter
⁽²⁾ 210 Frame motor adapter

Hollow output



Output shaft configurations



Ratings and dimensions

Tigear®-2 reducers with quill input – Size 38

Tigear-2 reducers with quill input – Size 38

Ratio	Output RPM	Rating data				Part number			Shaft position
		1750 Input RPM	56C	140TC	180TC	210TC			
5	350	Mechanical Input HP	15.18		38Q05L14	38Q05L18	38Q05L21		L
		Thermal Input HP	15.51		38Q05R14	38Q05R18	38Q05R21		R
		Output Torque (lb. in.)	2593	-	38Q05LR14	38Q05LR18	38Q05LR21		LR
		Mechanical Output HP	14.4		-	-	-		-
		Output OHL (lbs.)	2120		-	-	-		-
7.5	233	Mechanical Input HP	12.24		38Q07L14	38Q07L18	38Q07L21		L
		Thermal Input HP	12.52		38Q07R14	38Q07R18	38Q07R21		R
		Output Torque (lb. in.)	3054	-	38Q07LR14	38Q07LR18	38Q07LR21		LR
		Mechanical Output HP	11.46		-	-	-		-
		Output OHL (lbs.)	2430		-	-	-		-
10	175	Mechanical Input HP	10.00		38Q10L14	38Q10L18	38Q10L21		L
		Thermal Input HP	10.63		38Q10R14	38Q10R18	38Q10R21		R
		Output Torque (lb. in.)	3310	-	38Q10LR14	38Q10LR18	38Q10LR21		LR
		Mechanical Output HP	9.19		-	-	-		-
		Output OHL (lbs.)	2700		-	-	-		-
12.7	138	Mechanical Input HP	8.51	-	38Q12L14	38Q12L18	38Q12L21		L
		Thermal Input HP	8.75	-	38Q12R14	38Q12R18	38Q12R21		R
		Output Torque (lb. in.)	3530	-	38Q12LR14	38Q12LR18	38Q12LR21		LR
		Mechanical Output HP	7.74	-	-	-	-		-
		Output OHL (lbs.)	2760	-	-	-	-		-
15	117	Mechanical Input HP	7.44	-	38Q15L14	38Q15L18			L
		Thermal Input HP	7.56	-	38Q15R14	38Q15R18			R
		Output Torque (lb. in.)	3599	-	38Q15LR14	38Q15LR18			LR
		Mechanical Output HP	6.66	-	-	-	-		-
		Output OHL (lbs.)	2760	-	-	-	-		-
18	97	Available Upon Request	-	-	-	-	-	-	-
20	88	Mechanical Input HP	5.79	-	38Q20L14	38Q20L18			L
		Thermal Input HP	5.97	-	38Q20R14	38Q20R18			R
		Output Torque (lb. in.)	3620	-	38Q20LR14	38Q20LR18			LR
		Mechanical Output HP	5.03	-	-	-	-		-
		Output OHL (lbs.)	2760	-	-	-	-		-
25	70	Mechanical Input HP	4.72	-	38Q25L14	38Q25L18			L
		Thermal Input HP	5.1	-	38Q25R14	38Q25R18			R
		Output Torque (lb. in.)	3586	-	38Q25LR14	38Q25LR18			LR
		Mechanical Output HP	3.98	-	-	-	-		-
		Output OHL (lbs.)	2760	-	-	-	-		-
30	58	Mechanical Input HP	4.15	38Q30L56	38Q30L14	38Q30L18			L
		Thermal Input HP	4.43	38Q30R56	38Q30R14	38Q30R18			R
		Output Torque (lb. in.)	3682	38Q30LR56	38Q30LR14	38Q30LR18			LR
		Mechanical Output HP	3.41	-	-	-			-
		Output OHL (lbs.)	2760	-	-	-			-
40	44	Mechanical Input HP	3.23	38Q40L56	38Q40L14	38Q40L18			L
		Thermal Input HP	3.54	38Q40R56	38Q40R14	38Q40R18			R
		Output Torque (lb. in.)	3622	38Q40LR56	38Q40LR14	38Q40LR18			LR
		Mechanical Output HP	2.51	-	-	-			-
		Output OHL (lbs.)	2760	-	-	-			-
50	35	Mechanical Input HP	2.64	38Q50L56	38Q50L14				L
		Thermal Input HP	2.94	38Q50R56	38Q50R14				R
		Output Torque (lb. in.)	3485	38Q50LR56	38Q50LR14				LR
		Mechanical Output HP	1.94	-	-	-			-
		Output OHL (lbs.)	2760	-	-	-			-
60	29	Mechanical Input HP	2.19	38Q60L56	38Q60L14				L
		Thermal Input HP	2.43	38Q60R56	38Q60R14				R
		Output Torque (lb. in.)	3194	38Q60LR56	38Q60LR14				LR
		Mechanical Output HP	1.48	-	-	-			-
		Output OHL (lbs.)	2760	-	-	-			-

Note: Reducers are shipped without a mounting base. Order bolt-on base kit **38BASE** if required.

Features and benefits

Specification / How to order / Nomenclature

Selection procedures / Hp / Service factor

Ratings / Dimensions

Washdown E-Z Klean®

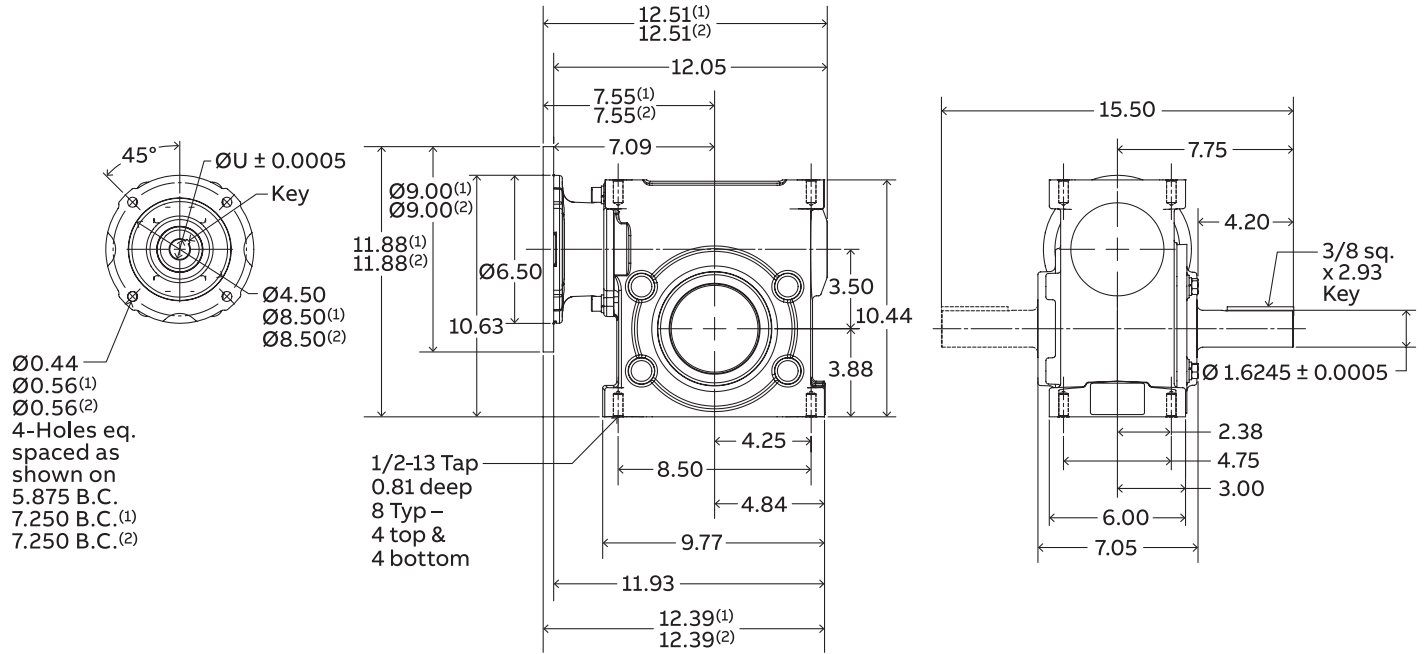
Washdown Food Safe

Food Safe dimensions

Ratings and dimensions

Tigear®-2 reducers with quill input – Size 38

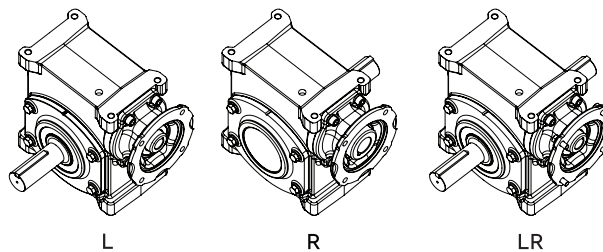
Solid output



⁽¹⁾ 180 frame motor adapter
⁽²⁾ 210 frame motor adapter

Motor frame	Dim "U"	Key
56C	Ø.626	3/16 sq. x 2.43 Key
140TC	Ø.876	3/16 sq. x 2.43 Key
180TC	Ø 1.126	1/4 sq. x 2.36 Key
210TC	Ø 1.376	5/16 sq. x 2.57 Key

Output shaft configurations



Ratings and dimensions

Tigear®-2 reducers with separate input – Size 38

Tigear-2 reducers with separate input – Size 38

Ratio	Output RPM	Rating data	Separate reducer	Shaft position	Optional motor adapter kit				
					1750 Input RPM	56C	140TC	180TC	210TC
5	350	Mechanical Input HP	15.18	38S05L	L	-	-	-	-
		Thermal Input HP	15.51	38S05R	R	-	-	-	-
		Output Torque (lb. in.)	2593	38S05LR	LR	-	3538MTR14	3538MTR18	3538MTR21
		Mechanical Output HP	14.4	-	-	-	-	-	-
		Output OHL (lbs.)	2120	-	-	-	-	-	-
7.5	233	Mechanical Input HP	12.24	38S07L	L	-	-	-	-
		Thermal Input HP	12.52	38S07R	R	-	-	-	-
		Output Torque (lb. in.)	3054	38S07LR	LR	-	3538MTR14	3538MTR18	3538MTR21
		Mechanical Output HP	11.46	-	-	-	-	-	-
		Output OHL (lbs.)	2430	-	-	-	-	-	-
10	175	Mechanical Input HP	10.00	38S10L	L	-	-	-	-
		Thermal Input HP	10.63	38S10R	R	-	-	-	-
		Output Torque (lb. in.)	3310	38S10LR	LR	-	3538MTR14	3538MTR18	3538MTR21
		Mechanical Output HP	9.19	-	-	-	-	-	-
		Output OHL (lbs.)	2700	-	-	-	-	-	-
12.7	138	Mechanical Input HP	8.51	38S12L	L	-	-	-	-
		Thermal Input HP	8.75	38S12R	R	-	-	-	-
		Output Torque (lb. in.)	3530	38S12LR	LR	-	3538MTR14	3538MTR18	3538MTR21
		Mechanical Output HP	7.74	38S12H	-	-	-	-	-
		Output OHL (lbs.)	2760	-	-	-	-	-	-
15	117	Mechanical Input HP	7.44	38S15L	L	-	-	-	-
		Thermal Input HP	7.56	38S15R	R	-	-	-	-
		Output Torque (lb. in.)	3599	38S15LR	LR	-	3538MTR14	3538MTR18	-
		Mechanical Output HP	6.66	-	-	-	-	-	-
		Output OHL (lbs.)	2760	-	-	-	-	-	-
18	97	Available Upon Request	-	-	-	-	-	-	-
		Mechanical Input HP	5.79	38S20L	L	-	-	-	-
		Thermal Input HP	5.97	38S20R	R	-	-	-	-
		Output Torque (lb. in.)	3620	38S20LR	LR	-	3538MTR14	3538MTR18	-
		Mechanical Output HP	5.03	-	-	-	-	-	-
20	88	Output OHL (lbs.)	2760	-	-	-	-	-	-
		Mechanical Input HP	4.72	38S25L	L	-	-	-	-
		Thermal Input HP	5.1	38S25R	R	-	-	-	-
		Output Torque (lb. in.)	3586	38S25LR	LR	-	3538MTR14	3538MTR18	-
		Mechanical Output HP	3.98	-	-	-	-	-	-
25	70	Output OHL (lbs.)	2760	-	-	-	-	-	-
		Mechanical Input HP	4.15	38S30L	L	-	-	-	-
		Thermal Input HP	4.43	38S30R	R	-	-	-	-
		Output Torque (lb. in.)	3682	38S30LR	LR	3538MTR56	3538MTR14	3538MTR18	-
		Mechanical Output HP	3.41	-	-	-	-	-	-
30	58	Output OHL (lbs.)	2760	-	-	-	-	-	-
		Mechanical Input HP	3.23	38S40L	L	-	-	-	-
		Thermal Input HP	3.54	38S40R	R	-	-	-	-
		Output Torque (lb. in.)	3622	38S40LR	LR	3538MTR56	3538MTR14	3538MTR18	-
		Mechanical Output HP	2.51	-	-	-	-	-	-
40	44	Output OHL (lbs.)	2760	-	-	-	-	-	-
		Mechanical Input HP	2.64	38S50L	L	-	-	-	-
		Thermal Input HP	2.94	38S50R	R	-	-	-	-
		Output Torque (lb. in.)	3485	38S50LR	LR	3538MTR56	3538MTR14	-	-
		Mechanical Output HP	1.94	-	-	-	-	-	-
50	35	Output OHL (lbs.)	2760	-	-	-	-	-	-
		Mechanical Input HP	2.19	38S60L	L	-	-	-	-
		Thermal Input HP	2.43	38S60R	R	-	-	-	-
		Output Torque (lb. in.)	3194	38S60LR	LR	3538MTR56	3538MTR14	-	-
		Mechanical Output HP	1.48	-	-	-	-	-	-
60	29	Output OHL (lbs.)	2760	-	-	-	-	-	-
		Mechanical Input HP	2.19	38S60L	L	-	-	-	-
		Thermal Input HP	2.43	38S60R	R	-	-	-	-
		Output Torque (lb. in.)	3194	38S60LR	LR	3538MTR56	3538MTR14	-	-
		Mechanical Output HP	1.48	-	-	-	-	-	-
All ratios		Input OHL (lbs)	330				One diameter from seal surface		

Features and benefits

Specification / How to order / Nomenclature

Selection procedures / Hp / Service factor

Ratings / Dimensions

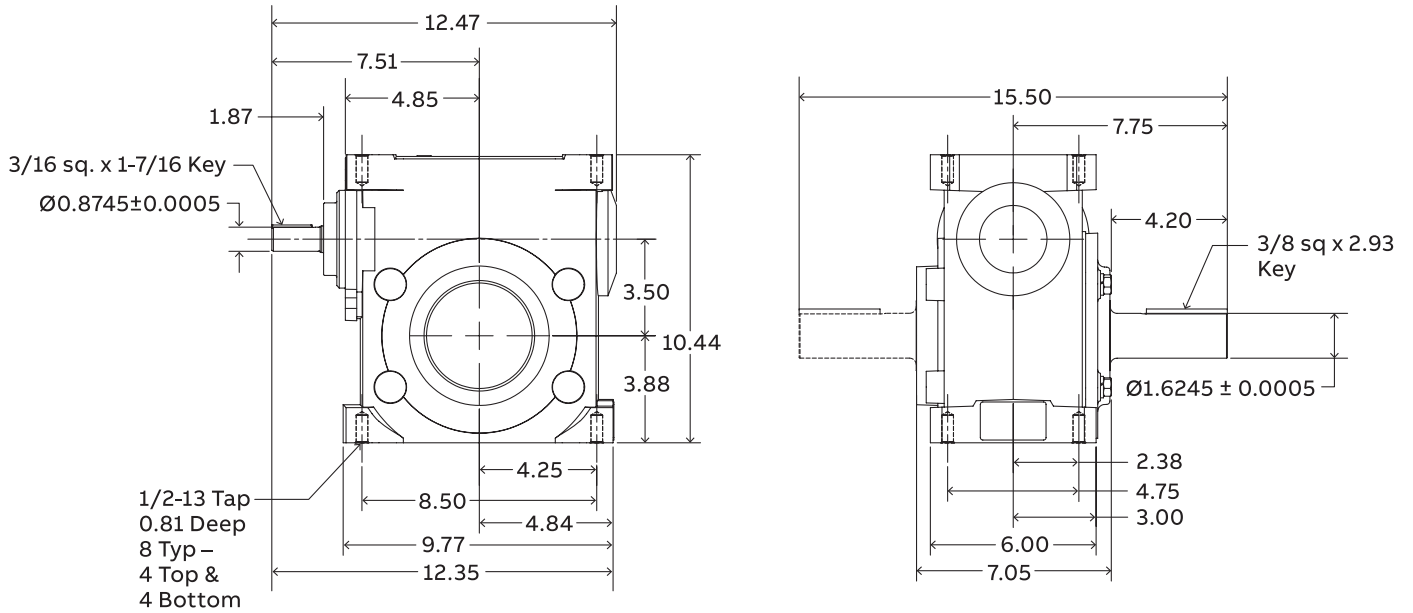
Washdown E-Z Klean®

Washdown Food Safe

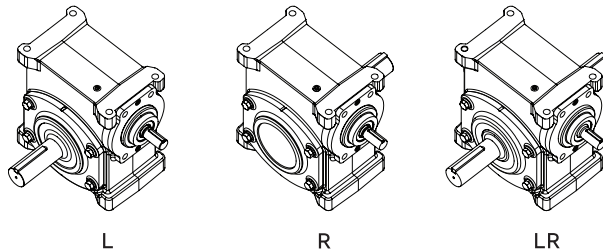
Food Safe dimensions

Ratings and dimensions

Tigear®-2 reducers with separate input – Size 38



Output shaft configurations



Ratings and dimensions

Tigear®-2 reducers with 3-piece coupled input – Size 38

Tigear-2 reducers with 3-piece coupled input – Size 38

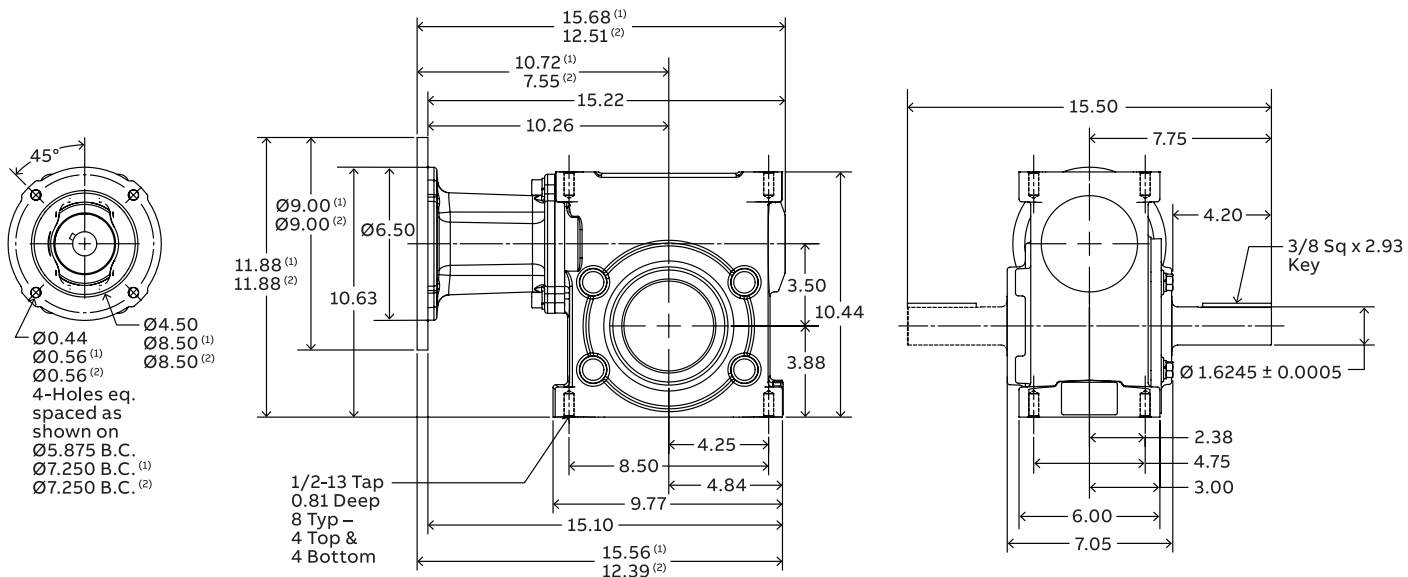
3-piece coupled units include a separate reducer, 3-piece coupling and motor adapter housing assembled together.

Output RPM	Rating data	Part number				Shaft position
		56C	140TC	180TC	210TC	
5	Mechanical Input HP	15.18	38A05L14	38A05L18	38A05L21	L
	Thermal Input HP	15.51	38A05R14	38A05R18	38A05R21	R
	Output Torque (lb. in.)	2593	38A05LR14	38A05LR18	38A05LR21	LR
	Mechanical Output HP	14.4	-	-	-	-
	Output OHL (lbs.)	2120	-	-	-	-
7.5	Mechanical Input HP	12.24	38A07L14	38A07L18	38A07L21	L
	Thermal Input HP	12.52	38A07R14	38A07R18	38A07R21	R
	Output Torque (lb. in.)	3054	38A07LR14	38A07LR18	38A07LR21	LR
	Mechanical Output HP	11.46	-	-	-	-
	Output OHL (lbs.)	2430	-	-	-	-
10	Mechanical Input HP	10.00	38A10L14	38A10L18	38A10L21	L
	Thermal Input HP	10.63	38A10R14	38A10R18	38A10R21	R
	Output Torque (lb. in.)	3310	38A10LR14	38A10LR18	38A10LR21	LR
	Mechanical Output HP	9.19	-	-	-	-
	Output OHL (lbs.)	2700	-	-	-	-
12.7	Mechanical Input HP	8.51	38A12L14	38A12L18	38A12L21	L
	Thermal Input HP	8.75	38A12R14	38A12R18	38A12R21	R
	Output Torque (lb. in.)	3530	38A12LR14	38A12LR18	38A12LR21	LR
	Mechanical Output HP	7.74	-	-	-	-
	Output OHL (lbs.)	2760	-	-	-	-
15	Mechanical Input HP	7.44	38A15L14	38A15L18	-	L
	Thermal Input HP	7.56	38A15R14	38A15R18	-	R
	Output Torque (lb. in.)	3599	38A15LR14	38A15LR18	-	LR
	Mechanical Output HP	6.66	-	-	-	-
	Output OHL (lbs.)	2760	-	-	-	-
18	97	Available Upon Request	-	-	-	-
20	Mechanical Input HP	5.79	38A20L14	38A20L18	-	L
	Thermal Input HP	5.97	38A20R14	38A20R18	-	R
	Output Torque (lb. in.)	3620	38A20LR14	38A20LR18	-	LR
	Mechanical Output HP	5.03	-	-	-	-
	Output OHL (lbs.)	2760	-	-	-	-
25	Mechanical Input HP	4.72	38A25L14	38A25L18	-	L
	Thermal Input HP	5.1	38A25R14	38A25R18	-	R
	Output Torque (lb. in.)	3586	38A25LR14	38A25LR18	-	LR
	Mechanical Output HP	3.98	-	-	-	-
	Output OHL (lbs.)	2760	-	-	-	-
30	Mechanical Input HP	4.15	38A30L56	38A30L14	38A30L18	L
	Thermal Input HP	4.43	38A30R56	38A30R14	38A30R18	R
	Output Torque (lb. in.)	3682	38A30LR56	38A30LR14	38A30LR18	LR
	Mechanical Output HP	3.41	-	-	-	-
	Output OHL (lbs.)	2760	-	-	-	-
40	Mechanical Input HP	3.23	38A40L56	38A40L14	38A40L18	L
	Thermal Input HP	3.54	38A40R56	38A40R14	38A40R18	R
	Output Torque (lb. in.)	3622	38A40LR56	38A40LR14	38A40LR18	LR
	Mechanical Output HP	2.51	-	-	-	-
	Output OHL (lbs.)	2760	-	-	-	-
50	Mechanical Input HP	2.64	38A50L56	38A50L14	-	L
	Thermal Input HP	2.94	38A50R56	38A50R14	-	R
	Output Torque (lb. in.)	3485	38A50LR56	38A50LR14	-	LR
	Mechanical Output HP	1.94	-	-	-	-
	Output OHL (lbs.)	2760	-	-	-	-
60	Mechanical Input HP	2.19	38A60L56	38A60L14	-	L
	Thermal Input HP	2.43	38A60R56	38A60R14	-	R
	Output Torque (lb. in.)	3194	38A60LR56	38A60LR14	-	LR
	Mechanical Output HP	1.48	-	-	-	-
	Output OHL (lbs.)	2760	-	-	-	-

Note: Reducers are shipped without a mounting base. Order bolt-on base kit 38BASE if required.

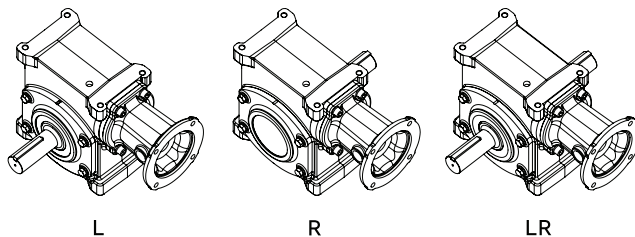
Ratings and dimensions

Tigear®-2 reducers with 3-piece coupled input – Size 38



⁽¹⁾ 180 frame motor adapter
⁽²⁾ 210 frame motor adapter

Output shaft configurations



Ratings and dimensions

Tigear®-2 reducers with quill input – Size 40

Tigear-2 reducers with quill input – Size 40

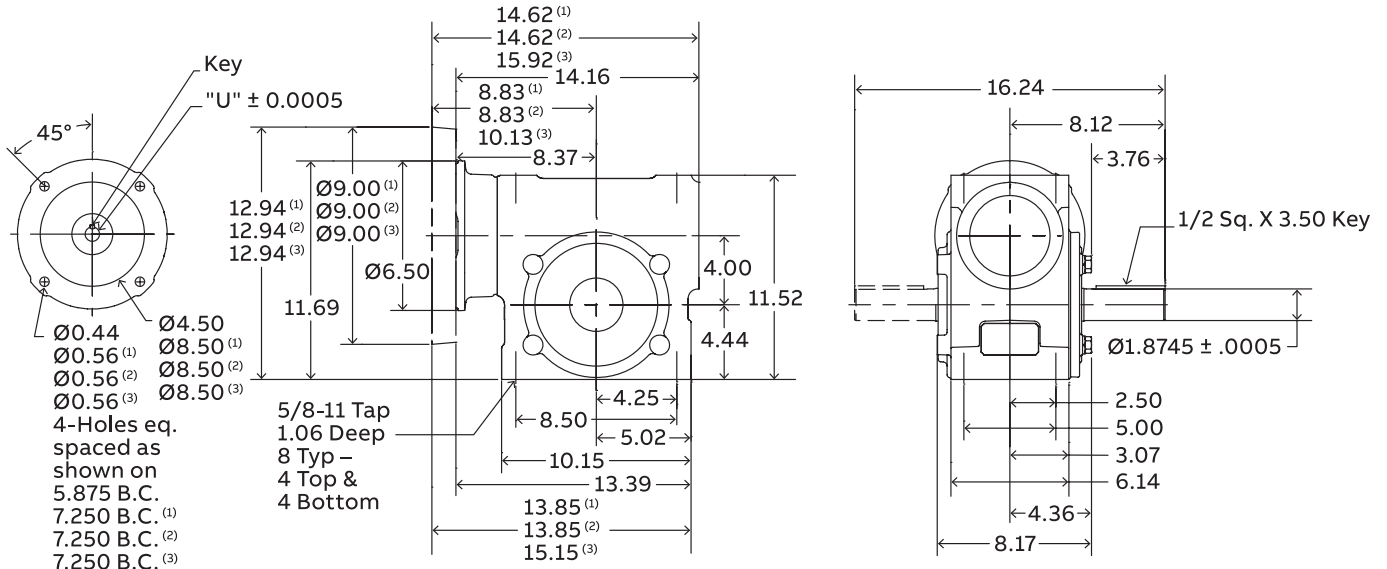
Ratio	Output RPM	Rating data				Part number		Shaft position
		1750 Input RPM	140TC	180TC	210TC	250TC		
5	350	Mechanical input Hp	20.24			40Q05L21	40Q05L25	L
		Thermal input Hp	22.20			40Q05R21	40Q05R25	R
		Output torque (lb. in.)	3449	-	-	40Q05LR21	40Q05LR25	LR
		Mechanical output Hp	19.15			40Q05H21	40Q05H25	Hollow
		Output OHL (lbs.)	2860			-	-	-
7.5	233	Mechanical input Hp	16.38			40Q07L21	40Q07L25	L
		Thermal input Hp	17.56			40Q07R21	40Q07R25	R
		Output torque (lb. in.)	4071	-	-	40Q07LR21	40Q07LR25	LR
		Mechanical output Hp	15.27			40Q07H21	40Q07H25	Hollow
		Output OHL (lbs.)	3280			-	-	-
10	175	Mechanical input Hp	13.33			40Q10L21		L
		Thermal input Hp	14.96			40Q10R21		R
		Output torque (lb. in.)	4418	-	-	40Q10LR21	-	LR
		Mechanical output Hp	12.27			40Q10H21		Hollow
		Output OHL (lbs.)	3640			-	-	-
12.7	138	Available upon request	-	-	-	-	-	
15	117	Mechanical input Hp	10.01			40Q15L18	40Q15L21	L
		Thermal input Hp	10.16			40Q15R18	40Q15R21	R
		Output torque (lb. in.)	4804	-	-	40Q15LR18	40Q15LR21	LR
		Mechanical output Hp	8.89			40Q15H18	40Q15H21	Hollow
		Output OHL (lbs.)	4190			-	-	-
20	88	Mechanical input Hp	7.75			40Q20L18	40Q20L21	L
		Thermal input Hp	8.14			40Q20R18	40Q20R21	R
		Output torque (lb. in.)	4822	-	-	40Q20LR18	40Q20LR21	LR
		Mechanical output Hp	6.69			40Q20H18	40Q20H21	Hollow
		Output OHL (lbs.)	4300			-	-	-
25	70	Mechanical input Hp	6.35			40Q25L18		L
		Thermal input Hp	6.45			40Q25R18		R
		Output torque (lb. in.)	4722	-	-	40Q25LR18	-	LR
		Mechanical output Hp	5.25			40Q25H18		Hollow
		Output OHL (lbs.)	4300			-	-	-
30	58	Mechanical input Hp	5.61			40Q30L18		L
		Thermal input Hp	5.78			40Q30R18		R
		Output torque (lb. in.)	4898	-	-	40Q30LR18	-	LR
		Mechanical output Hp	4.53			40Q30H18		Hollow
		Output OHL (lbs.)	4300			-	-	-
40	44	Mechanical input Hp	4.43	40Q40L14	40Q40L18			L
		Thermal input Hp	4.50	40Q40R14	40Q40R18			R
		Output torque (lb. in.)	4800	40Q40LR14	40Q40LR18	-	-	LR
		Mechanical output Hp	3.33	40Q40H14	40Q40H18			Hollow
		Output OHL (lbs.)	4300	-	-			-
50	35	Mechanical input Hp	3.63	40Q50L14	40Q50L18			L
		Thermal input Hp	3.66	40Q50R14	40Q50R18			R
		Output torque (lb. in.)	4559	40Q50LR14	40Q50LR18	-	-	LR
		Mechanical output Hp	2.53	40Q50H14	40Q50H18			Hollow
		Output OHL (lbs.)	4300	-	-			-
60	29	Mechanical input Hp	3.00	40Q60L14	40Q60L18			L
		Thermal input Hp	3.21	40Q60R14	40Q60R18			R
		Output torque (lb. in.)	4166	40Q60LR14	40Q60LR18	-	-	LR
		Mechanical output Hp	1.93	40Q60H14	40Q60H18			Hollow
		Output OHL (lbs.)	4300	-	-			-

Note: Reducers are shipped without a mounting base. Order bolt-on base kit **40BASE** if required.

Ratings and dimensions

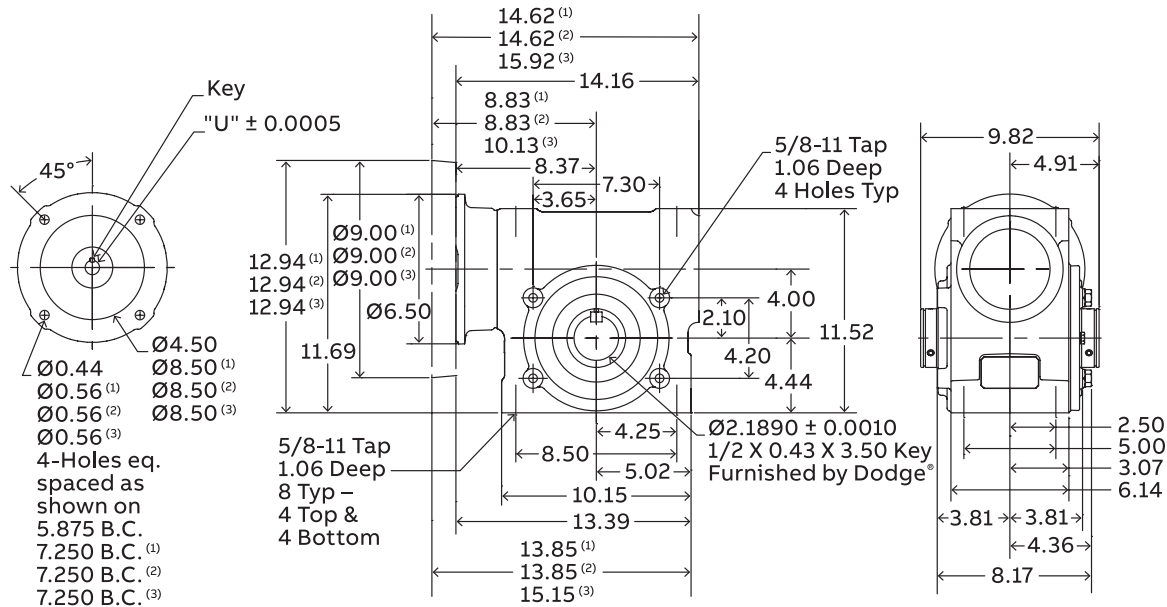
Tigear®-2 reducers with quill input – Size 40

Solid output



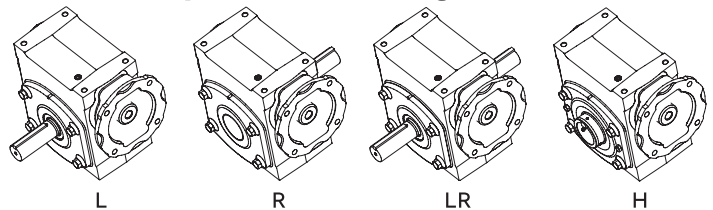
⁽¹⁾ 180 Frame motor adapter
⁽²⁾ 210 Frame motor adapter
⁽³⁾ 250 Frame motor adapter

Hollow output



Output shaft configurations

Motor frame	"U"	Key
140TC	Ø0.876	3/16 sq. x 2.75 Key
180TC	Ø1.126	1/4 sq. x 2.98 Key
210TC	Ø1.376	5/16 sq. x 3.11 Key
250TC	Ø1.626	3/8 sq. x 3.38 Key



Ratings and dimensions

Tigear®-2 reducers with separate input – Size 40

Tigear-2 reducers with separate input – Size 40

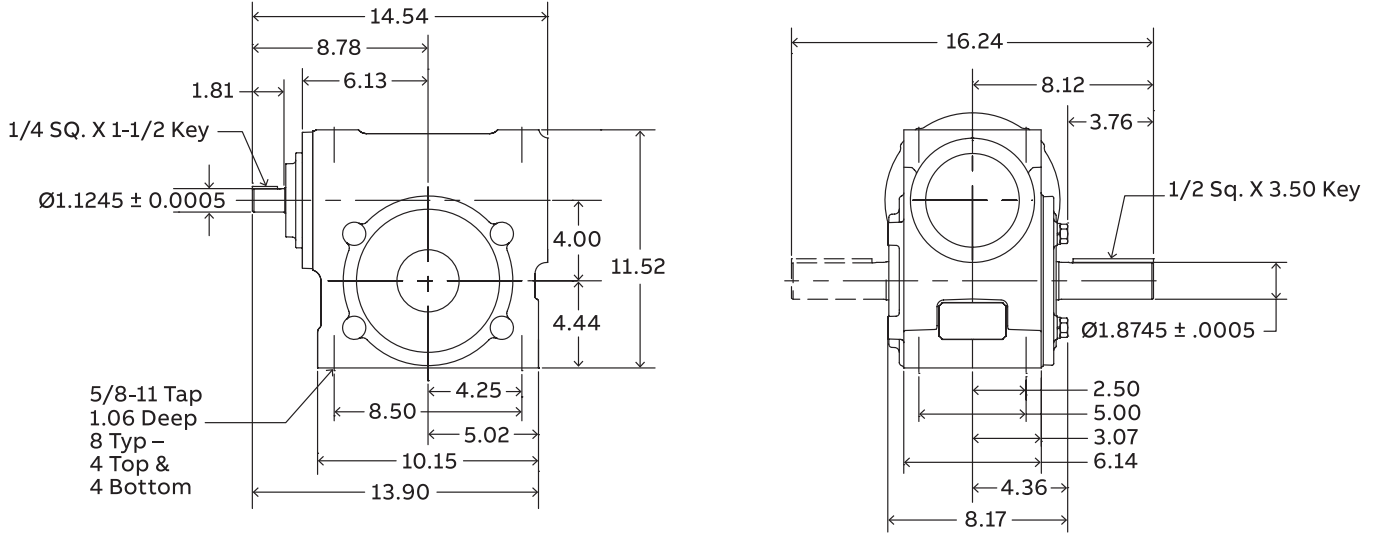
Ratio	Output RPM		Rating data		Separate reducer	Shaft position	Optional motor adapter kit			
			1750 Input RPM				140TC	180TC	210TC	250TC
5	350	Mechanical input Hp	20.24	40S05L	L					
		Thermal input Hp	22.20	40S05R	R					
		Output torque (lb. in.)	3449	40S05LR	LR	-	-	4047MTR21	4047MTR25	
		Mechanical output Hp	19.15	40S05H	Hollow					
		Output OHL (lbs.)	2860	-	-					
7.5	233	Mechanical input Hp	16.38	40S07L	L					
		Thermal input Hp	17.56	40S07R	R					
		Output torque (lb. in.)	4071	40S07LR	LR	-	-	4047MTR21	4047MTR25	
		Mechanical output Hp	15.27	40S07H	Hollow					
		Output OHL (lbs.)	3280	-	-					
10	175	Mechanical input Hp	13.33	40S10L	L					
		Thermal input Hp	14.96	40S10R	R					
		Output torque (lb. in.)	4418	40S10LR	LR	-	-	4047MTR21		-
		Mechanical output Hp	12.27	40S10H	Hollow					
		Output OHL (lbs.)	3640	-	-					
12.7	138	Available upon request	-	-	-	-	-	-	-	
15	117	Mechanical input Hp	10.01	40S15L	L					
		Thermal input Hp	10.16	40S15R	R					
		Output torque (lb. in.)	4804	40S15LR	LR	-	4047MTR18	4047MTR21		-
		Mechanical output Hp	8.89	40S15H	Hollow					
		Output OHL (lbs.)	4190	-	-					
20	88	Mechanical input Hp	7.75	40S20L	L					
		Thermal input Hp	8.14	40S20R	R					
		Output torque (lb. in.)	4822	40S20LR	LR	-	4047MTR18	4047MTR21		-
		Mechanical output Hp	6.69	40S20H	Hollow					
		Output OHL (lbs.)	4300	-	-					
25	70	Mechanical input Hp	6.35	40S25L	L					
		Thermal input Hp	6.45	40S25R	R					
		Output torque (lb. in.)	4722	40S25LR	LR	-	4047MTR18			-
		Mechanical output Hp	5.25	40S25H	Hollow					
		Output OHL (lbs.)	4300	-	-					
30	58	Mechanical input Hp	5.61	40S30L	L					
		Thermal input Hp	5.78	40S30R	R					
		Output torque (lb. in.)	4898	40S30LR	LR	-	4047MTR18			-
		Mechanical output Hp	4.53	40S30H	Hollow					
		Output OHL (lbs.)	4300	-	-					
40	44	Mechanical input Hp	4.43	40S40L	L					
		Thermal input Hp	4.50	40S40R	R					
		Output torque (lb. in.)	4800	40S40LR	LR	4047MTR14	4047MTR18			-
		Mechanical output Hp	3.33	40S40H	Hollow					
		Output OHL (lbs.)	4300	-	-					
50	35	Mechanical input Hp	3.63	40S50L	L					
		Thermal input Hp	3.66	40S50R	R					
		Output torque (lb. in.)	4559	40S50LR	LR	4047MTR14	4047MTR18			-
		Mechanical output Hp	2.53	40S50H	Hollow					
		Output OHL (lbs.)	4300	-	-					
60	29	Mechanical input Hp	3.00	40S60L	L					
		Thermal input Hp	3.21	40S60R	R					
		Output torque (lb. in.)	4166	40S60LR	LR	4047MTR14	4047MTR18			-
		Mechanical output Hp	1.93	40S60H	Hollow					
		Output OHL (lbs.)	4300	-	-					
All ratios		Input OHL (lbs)	400						One diameter from seal surface	

Note: Reducers are shipped without a mounting base. Order bolt-on base kit 40BASE if required.

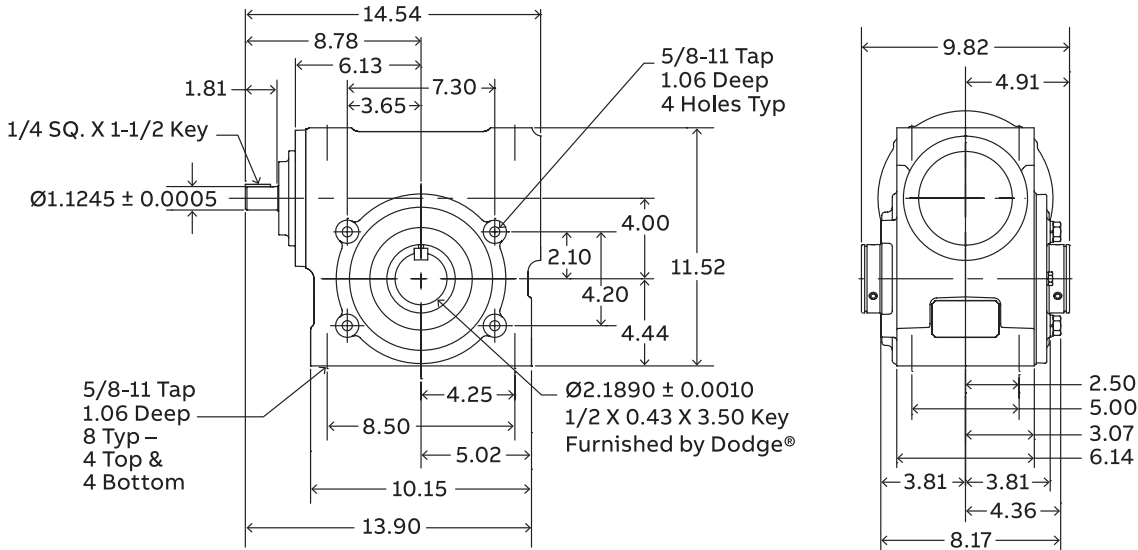
Ratings and dimensions

Tigear®-2 reducers with separate input – Size 40

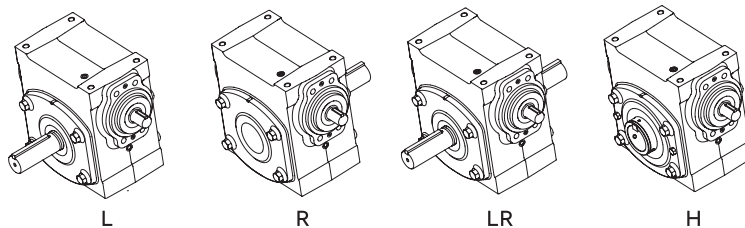
Solid output



Hollow output



Output shaft configurations



Ratings and dimensions

Tigear®-2 reducers with 3-piece coupled input – Size 40

Tigear-2 reducers with 3-piece coupled input – Size 40

3-piece coupled units include a separate reducer, 3-piece coupling and motor adapter housing assembled together.

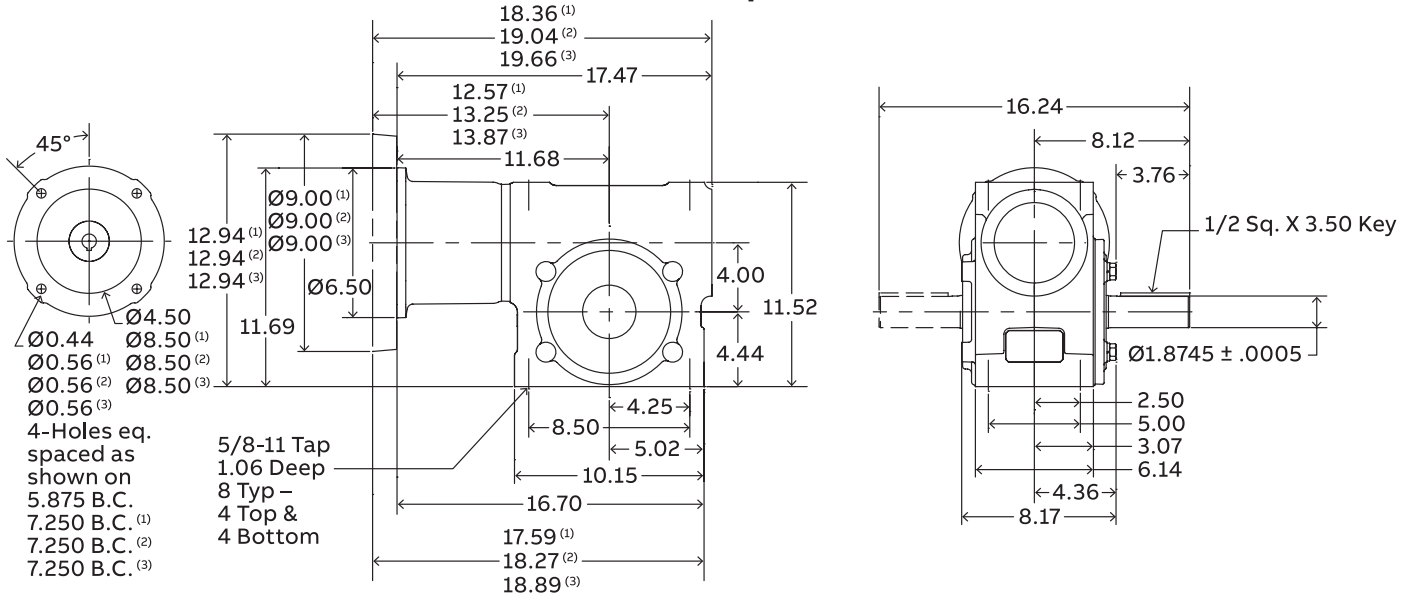
Ratio	Output RPM		Rating data				Part number		Shaft position
			1750 Input RPM	140TC	180TC	210TC	250TC		
5	350	Mechanical input Hp	20.24			40A05L21	40A05L25	L	
		Thermal input Hp	22.20			40A05R21	40A05R25	R	
		Output torque (lb. in.)	3449	-	-	40A05LR21	40A05LR25	LR	
		Mechanical output Hp	19.15			40A05H21	40A05H25	Hollow	
		Output OHL (lbs.)	2860			-	-	-	
7.5	233	Mechanical input Hp	16.38			40A07L21	40A07L25	L	
		Thermal input Hp	17.56			40A07R21	40A07R25	R	
		Output torque (lb. in.)	4071	-	-	40A07LR21	40A07LR25	LR	
		Mechanical output Hp	15.27			40A07H21	40A07H25	Hollow	
		Output OHL (lbs.)	3280			-	-	-	
10	175	Mechanical input Hp	13.33			40A10L21		L	
		Thermal input Hp	14.96			40A10R21		R	
		Output torque (lb. in.)	4418	-	-	40A10LR21		LR	
		Mechanical output Hp	12.27			40A10H21		Hollow	
		Output OHL (lbs.)	3640			-	-	-	
12.7	138	Available upon request	-	-	-	-	-		
15	117	Mechanical input Hp	10.01			40A15L18	40A15L21	L	
		Thermal input Hp	10.16			40A15R18	40A15R21	R	
		Output torque (lb. in.)	4804	-	-	40A15LR18	40A15LR21	LR	
		Mechanical output Hp	8.89			40A15H18	40A15H21	Hollow	
		Output OHL (lbs.)	4190			-	-	-	
20	88	Mechanical input Hp	7.75			40A20L18	40A20L21	L	
		Thermal input Hp	8.14			40A20R18	40A20R21	R	
		Output torque (lb. in.)	4822	-	-	40A20LR18	40A20LR21	LR	
		Mechanical output Hp	6.69			40A20H18	40A20H21	Hollow	
		Output OHL (lbs.)	4300			-	-	-	
25	70	Mechanical input Hp	6.35			40A25L18		L	
		Thermal input Hp	6.45			40A25R18		R	
		Output torque (lb. in.)	4722	-	-	40A25LR18		LR	
		Mechanical output Hp	5.25			40A25H18		Hollow	
		Output OHL (lbs.)	4300			-	-	-	
30	58	Mechanical input Hp	5.61			40A30L18		L	
		Thermal input Hp	5.78			40A30R18		R	
		Output torque (lb. in.)	4898	-	-	40A30LR18		LR	
		Mechanical output Hp	4.53			40A30H18		Hollow	
		Output OHL (lbs.)	4300			-	-	-	
40	44	Mechanical input Hp	4.43	40A40L14	40A40L18			L	
		Thermal input Hp	4.50	40A40R14	40A40R18			R	
		Output torque (lb. in.)	4800	40A40LR14	40A40LR18	-	-	LR	
		Mechanical output Hp	3.33	40A40H14	40A40H18			Hollow	
		Output OHL (lbs.)	4300	-	-			-	
50	35	Mechanical input Hp	3.63	40A50L14	40A50L18			L	
		Thermal input Hp	3.66	40A50R14	40A50R18			R	
		Output torque (lb. in.)	4559	40A50LR14	40A50LR18	-	-	LR	
		Mechanical output Hp	2.53	40A50H14	40A50H18			Hollow	
		Output OHL (lbs.)	4300	-	-			-	
60	29	Mechanical input Hp	3.00	40A60L14	40A60L18			L	
		Thermal input Hp	3.21	40A60R14	40A60R18			R	
		Output torque (lb. in.)	4166	40A60LR14	40A60LR18	-	-	LR	
		Mechanical output Hp	1.93	40A60H14	40A60H18			Hollow	
		Output OHL (lbs.)	4300	-	-			-	

Note: Reducers are shipped without a mounting base. Order bolt-on base kit 40BASE if required.

Ratings and dimensions

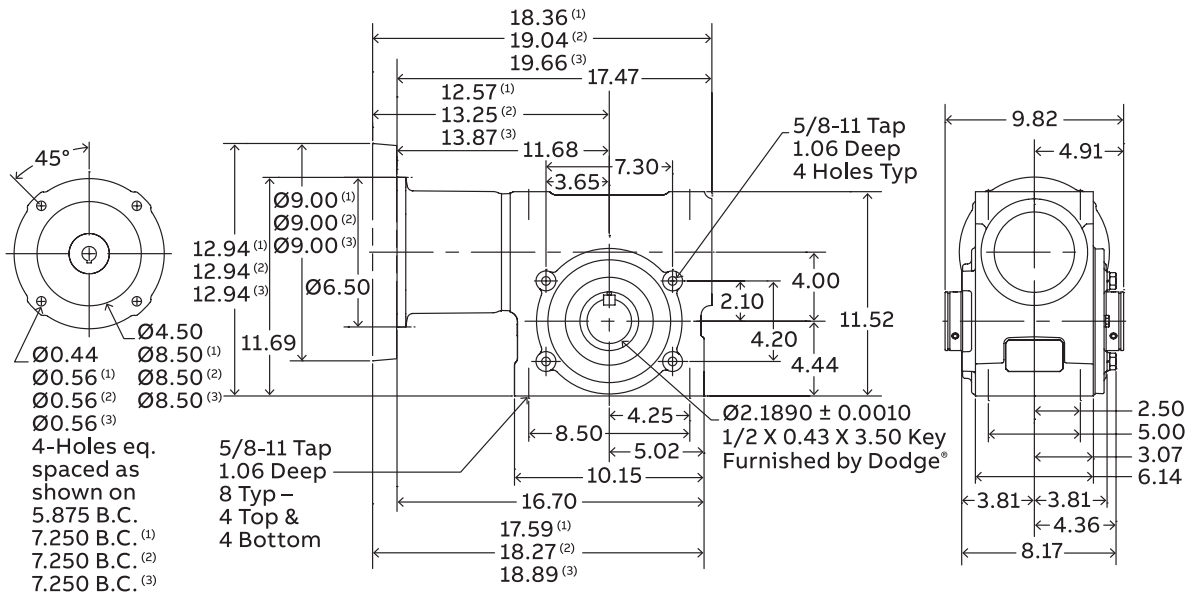
Tigear®-2 reducers with 3-piece coupled input – Size 40

Solid output

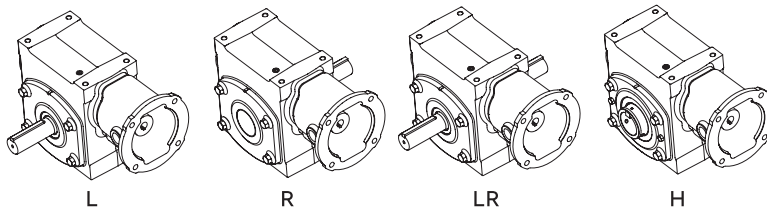


(1) 180 Frame motor adapter
 (2) 210 Frame motor adapter
 (3) 250 Frame motor adapter

Hollow output



Output shaft configurations



Ratings and dimensions

Tigear®-2 reducers with quill input – Size 47

Tigear-2 reducers with quill input – Size 47

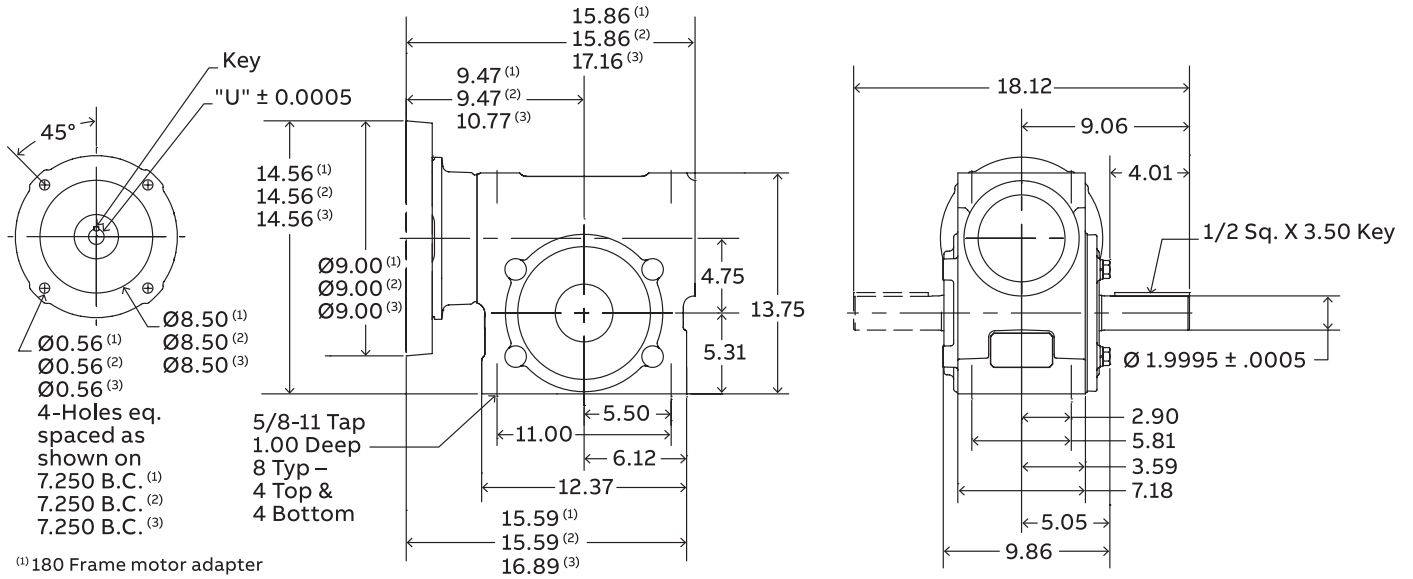
Ratio	Output RPM	Rating data			Part number		Shaft position
		1750 Input RPM	180TC	210TC	250TC		
5	350	Mechanical input Hp	28.45			47Q05L25	L
		Thermal input Hp	29.12			47Q05R25	R
		Output torque (lb. in.)	4832	-	-	47Q05LR25	LR
		Mechanical output Hp	26.84			47Q05H25	Hollow
		Output OHL (lbs.)	5100			-	-
7.5	233	Mechanical input Hp	23.35			47Q07L25	L
		Thermal input Hp	24.37			47Q07R25	R
		Output torque (lb. in.)	5801	-	-	47Q07LR25	LR
		Mechanical output Hp	21.77			47Q07H25	Hollow
		Output OHL (lbs.)	5600			-	-
10	175	Mechanical input Hp	19.27		47Q10L21	47Q10L25	L
		Thermal input Hp	20.08		47Q10R21	47Q10R25	R
		Output torque (lb. in.)	6390	-	47Q10LR21	47Q10LR25	LR
		Mechanical output Hp	17.74		47Q10H21	47Q10H25	Hollow
		Output OHL (lbs.)	5600		-	-	-
15	117	Mechanical input Hp	14.05		47Q15L21		L
		Thermal input Hp	14.14		47Q15R21		R
		Output torque (lb. in.)	6739	-	47Q15LR21	-	LR
		Mechanical output Hp	12.47		47Q15H21		Hollow
		Output OHL (lbs.)	5600		-		-
20	88	Mechanical input Hp	10.82		47Q20L21		L
		Thermal input Hp	10.96		47Q20R21		R
		Output torque (lb. in.)	6659	-	47Q20LR21	-	LR
		Mechanical output Hp	9.24		47Q20H21		Hollow
		Output OHL (lbs.)	5600		-		-
25	70	Mechanical input Hp	8.76	47Q25L18	47Q25L21		L
		Thermal input Hp	8.09	47Q25R18	47Q25R21		R
		Output torque (lb. in.)	6410	47Q25LR18	47Q25LR21	-	LR
		Mechanical output Hp	7.12	47Q25H18	47Q25H21		Hollow
		Output OHL (lbs.)	5600	-	-		-
30	58	Mechanical input Hp	7.95	47Q30L18			L
		Thermal input Hp	7.22	47Q30R18			R
		Output torque (lb. in.)	6845	47Q30LR18	-	-	LR
		Mechanical output Hp	6.34	47Q30H18			Hollow
		Output OHL (lbs.)	5600	-			-
40	44	Mechanical input Hp	6.21	47Q40L18			L
		Thermal input Hp	5.66	47Q40R18			R
		Output torque (lb. in.)	6644	47Q40LR18	-	-	LR
		Mechanical output Hp	4.61	47Q40H18			Hollow
		Output OHL (lbs.)	5600	-			-
50	35	Mechanical input Hp	5.05	47Q50L18			L
		Thermal input Hp	4.42	47Q50R18			R
		Output torque (lb. in.)	6241	47Q50LR18	-	-	LR
		Mechanical output Hp	3.47	47Q50H18			Hollow
		Output OHL (lbs.)	5600	-			-
60	29	Mechanical input Hp	4.12	47Q60L18			L
		Thermal input Hp	3.65	47Q60R18			R
		Output torque (lb. in.)	5683	47Q60LR18	-	-	LR
		Mechanical output Hp	2.63	47Q60H18			Hollow
		Output OHL (lbs.)	5600	-			-

Note: Reducers are shipped without a mounting base. Order bolt-on base kit **47BASE** if required.

Ratings and dimensions

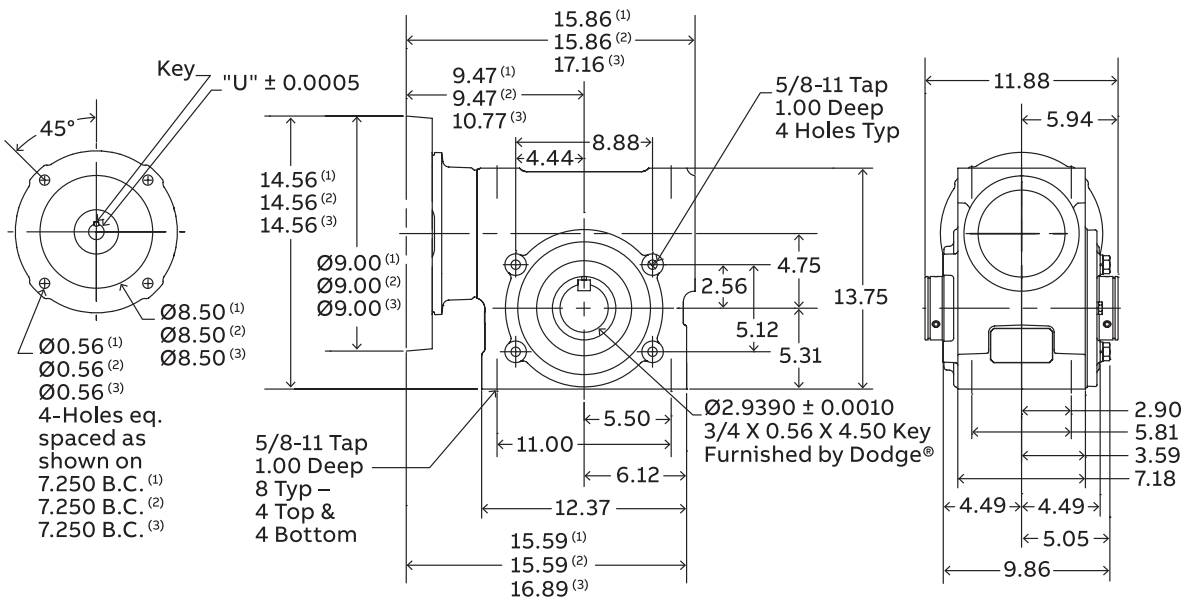
Tigear®-2 reducers with quill input – Size 47

Solid output



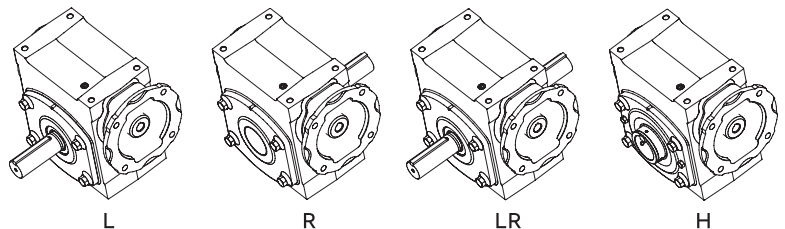
(1) 180 Frame motor adapter
 (2) 210 Frame motor adapter
 (3) 250 Frame motor adapter

Hollow output



Output shaft configurations

Motor frame	"U"	Key
180TC	Ø1.126	1/4 sq. x 2.98 Key
210TC	Ø1.376	5/16 sq. x 3.11 Key
250TC	Ø1.626	3/8 sq. x 3.38 Key



Ratings and dimensions

Tigear®-2 reducers with separate input – Size 47

Tigear-2 reducers with separate input – Size 47

Ratio	Output RPM	Rating data	Separate reducer	Shaft position	Optional motor adapter kit			
					1750 Input RPM	180TC	210TC	250TC
5	350	Mechanical input Hp	28.45	47S05L	L	-	4047MTR21	4047MTR25
		Thermal input Hp	29.12	47S05R	R			
		Output torque (lb. in.)	4832	47S05LR	LR			
		Mechanical output Hp	26.84	47S05H	Hollow			
		Output OHL (lbs.)	5100	-	-			
7.5	233	Mechanical input Hp	23.35	47S07L	L	-	4047MTR21	4047MTR25
		Thermal input Hp	24.37	47S07R	R			
		Output torque (lb. in.)	5801	47S07LR	LR			
		Mechanical output Hp	21.77	47S07H	Hollow			
		Output OHL (lbs.)	5600	-	-			
10	175	Mechanical input Hp	19.27	47S10L	L	-	4047MTR21	-
		Thermal input Hp	20.08	47S10R	R			
		Output torque (lb. in.)	6390	47S10LR	LR			
		Mechanical output Hp	17.74	47S10H	Hollow			
		Output OHL (lbs.)	5600	-	-			
15	117	Mechanical input Hp	14.05	47S15L	L	4047MTR18	4047MTR21	-
		Thermal input Hp	14.14	47S15R	R			
		Output torque (lb. in.)	6739	47S15LR	LR			
		Mechanical output Hp	12.47	47S15H	Hollow			
		Output OHL (lbs.)	5600	-	-			
20	88	Mechanical input Hp	10.82	47S20L	L	4047MTR18	4047MTR21	-
		Thermal input Hp	10.96	47S20R	R			
		Output torque (lb. in.)	6659	47S20LR	LR			
		Mechanical output Hp	9.24	47S20H	Hollow			
		Output OHL (lbs.)	5600	-	-			
25	70	Mechanical input Hp	8.76	47S25L	L	4047MTR18	-	-
		Thermal input Hp	8.09	47S25R	R			
		Output torque (lb. in.)	6410	47S25LR	LR			
		Mechanical output Hp	7.12	47S25H	Hollow			
		Output OHL (lbs.)	5600	-	-			
30	58	Mechanical input Hp	7.95	47S30L	L	4047MTR18	-	-
		Thermal input Hp	7.22	47S30R	R			
		Output torque (lb. in.)	6845	47S30LR	LR			
		Mechanical output Hp	6.34	47S30H	Hollow			
		Output OHL (lbs.)	5600	-	-			
40	44	Mechanical input Hp	6.21	47S40L	L	4047MTR18	-	-
		Thermal input Hp	5.66	47S40R	R			
		Output torque (lb. in.)	6644	47S40LR	LR			
		Mechanical output Hp	4.61	47S40H	Hollow			
		Output OHL (lbs.)	5600	-	-			
50	35	Mechanical input Hp	5.05	47S50L	L	4047MTR18	-	-
		Thermal input Hp	4.42	47S50R	R			
		Output torque (lb. in.)	6241	47S50LR	LR			
		Mechanical output Hp	3.47	47S50H	Hollow			
		Output OHL (lbs.)	5600	-	-			
60	29	Mechanical input Hp	4.12	47S60L	L	-	-	-
		Thermal input Hp	3.65	47S60R	R			
		Output torque (lb. in.)	5683	47S60LR	LR			
		Mechanical output Hp	2.63	47S60H	Hollow			
		Output OHL (lbs.)	5600	-	-			
All ratios		Input OHL (lbs)	500			One diameter from seal surface		

Note: Tigear-2 separate reducers cannot be used with the old adaptable Tigear motor adapter kits.

Features and benefits

Specification / How to order / Nomenclature

Selection procedures / Hp / Service factor

Ratings / Dimensions

Washdown E-Z Klean®

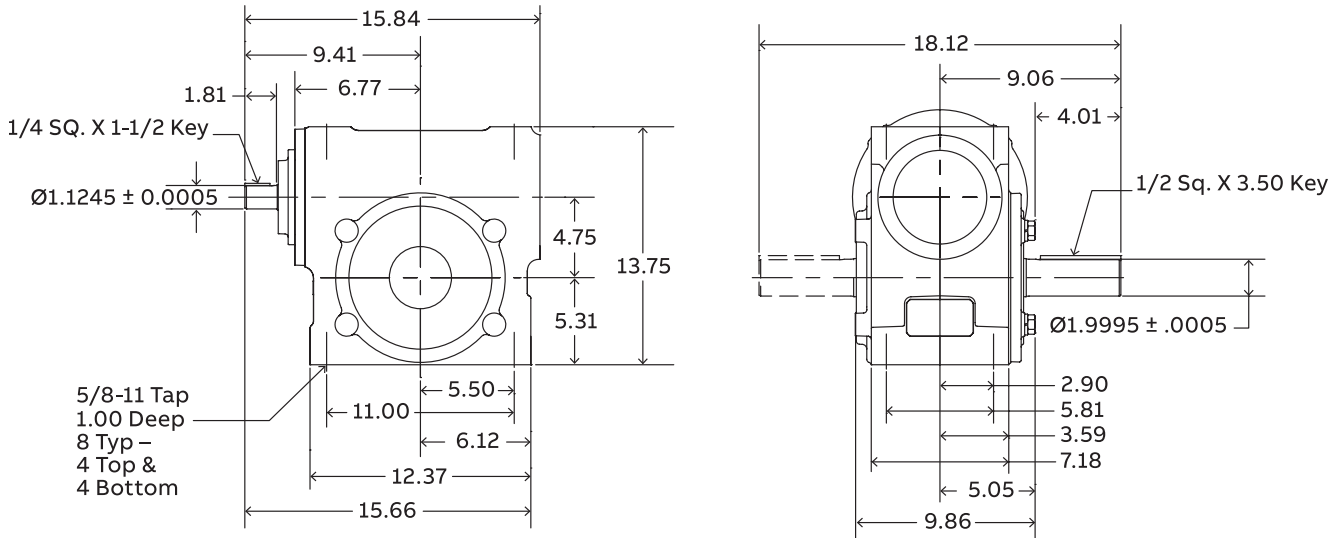
Washdown Food Safe

Food Safe dimensions

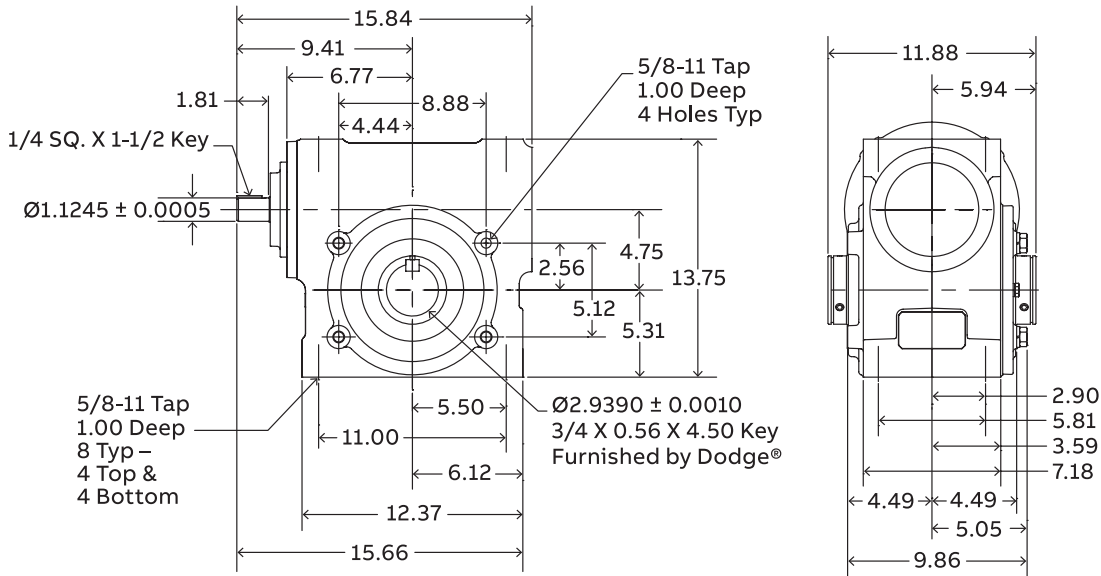
Ratings and dimensions

Tigear®-2 reducers with separate input – Size 47

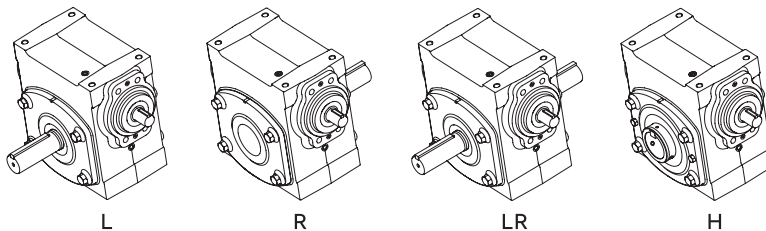
Solid output



Hollow output



Output shaft configurations



Ratings and dimensions

Tigear®-2 reducers with 3-piece coupled input – Size 47

Tigear-2 reducers with 3-piece coupled input – Size 47

3-piece coupled units include a separate reducer, 3-piece coupling and motor adapter housing assembled together.

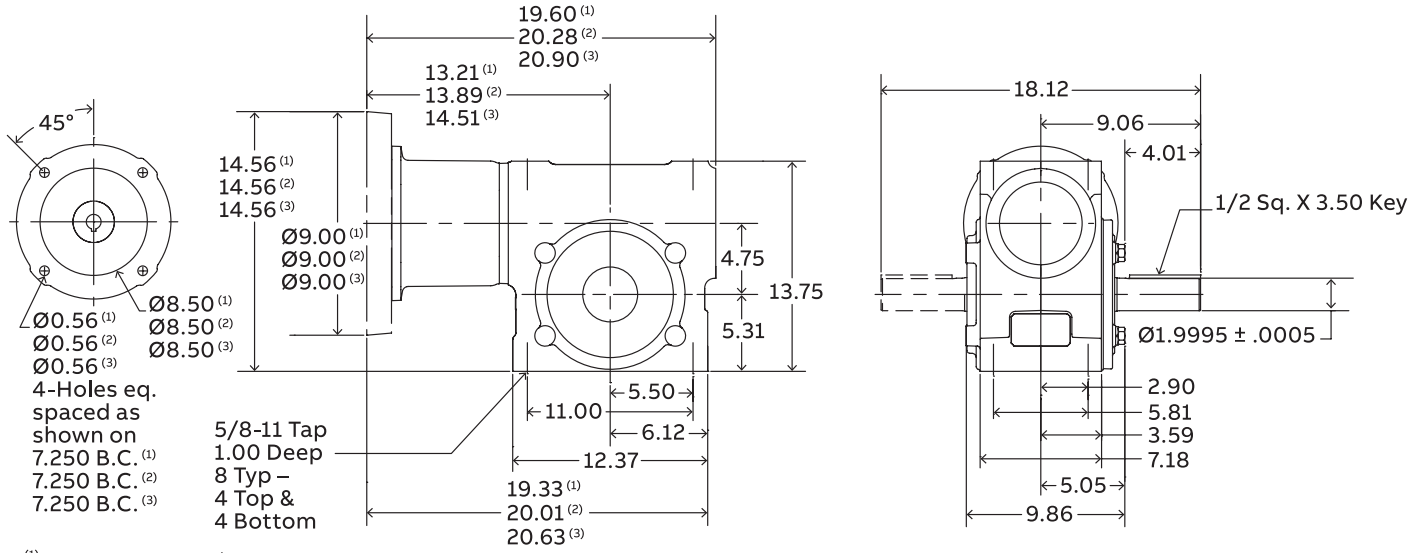
Ratio	Output RPM	Rating data			Part number			Shaft position
		1750 Input RPM	180TC	210TC	250TC			
5	350	Mechanical input Hp	28.45			47A05L25	L	
		Thermal input Hp	29.12			47A05R25	R	
		Output torque (lb. in.)	4832	-	-	47A05LR25	LR	
		Mechanical output Hp	26.84			47A05H25	Hollow	
		Output OHL (lbs.)	5100			-	-	
7.5	233	Mechanical input Hp	23.35			47A07L25	L	
		Thermal input Hp	24.37			47A07R25	R	
		Output torque (lb. in.)	5801	-	-	47A07LR25	LR	
		Mechanical output Hp	21.77			47A07H25	Hollow	
		Output OHL (lbs.)	5600			-	-	
10	175	Mechanical input Hp	19.27		47A10L21	47A10L25	L	
		Thermal input Hp	20.08		47A10R21	47A10R25	R	
		Output torque (lb. in.)	6390	-	47A10LR21	47A10LR25	LR	
		Mechanical output Hp	17.74		47A10H21	47A10H25	Hollow	
		Output OHL (lbs.)	5600			-	-	
15	117	Mechanical input Hp	14.05		47A15L21		L	
		Thermal input Hp	14.14		47A15R21		R	
		Output torque (lb. in.)	6739	-	47A15LR21		LR	
		Mechanical output Hp	12.47		47A15H21		Hollow	
		Output OHL (lbs.)	5600			-	-	
20	88	Mechanical input Hp	10.82		47A20L21		L	
		Thermal input Hp	10.96		47A20R21		R	
		Output torque (lb. in.)	6659	-	47A20LR21		LR	
		Mechanical output Hp	9.24		47A20H21		Hollow	
		Output OHL (lbs.)	5600			-	-	
25	70	Mechanical input Hp	8.76	47A25L18	47A25L21		L	
		Thermal input Hp	8.09	47A25R18	47A25R21		R	
		Output torque (lb. in.)	6410	47A25LR18	47A25LR21	-	LR	
		Mechanical output Hp	7.12	47A25H18	47A25H21		Hollow	
		Output OHL (lbs.)	5600		-		-	
30	58	Mechanical input Hp	7.95	47A30L18			L	
		Thermal input Hp	7.22	47A30R18			R	
		Output torque (lb. in.)	6845	47A30LR18		-	LR	
		Mechanical output Hp	6.34	47A30H18			Hollow	
		Output OHL (lbs.)	5600		-		-	
40	44	Mechanical input Hp	6.21	47A40L18			L	
		Thermal input Hp	5.66	47A40R18			R	
		Output torque (lb. in.)	6644	47A40LR18		-	LR	
		Mechanical output Hp	4.61	47A40H18			Hollow	
		Output OHL (lbs.)	5600		-		-	
50	35	Mechanical input Hp	5.05	47A50L18			L	
		Thermal input Hp	4.42	47A50R18			R	
		Output torque (lb. in.)	6241	47A50LR18		-	LR	
		Mechanical output Hp	3.47	47A50H18			Hollow	
		Output OHL (lbs.)	5600		-		-	
60	29	Mechanical input Hp	4.12	47A60L18			L	
		Thermal input Hp	3.65	47A60R18			R	
		Output torque (lb. in.)	5683	47A60LR18		-	LR	
		Mechanical output Hp	2.63	47A60H18			Hollow	
		Output OHL (lbs.)	5600		-		-	

Note: Reducers are shipped without a mounting base. Order bolt-on base kit **47BASE** if required.

Ratings and dimensions

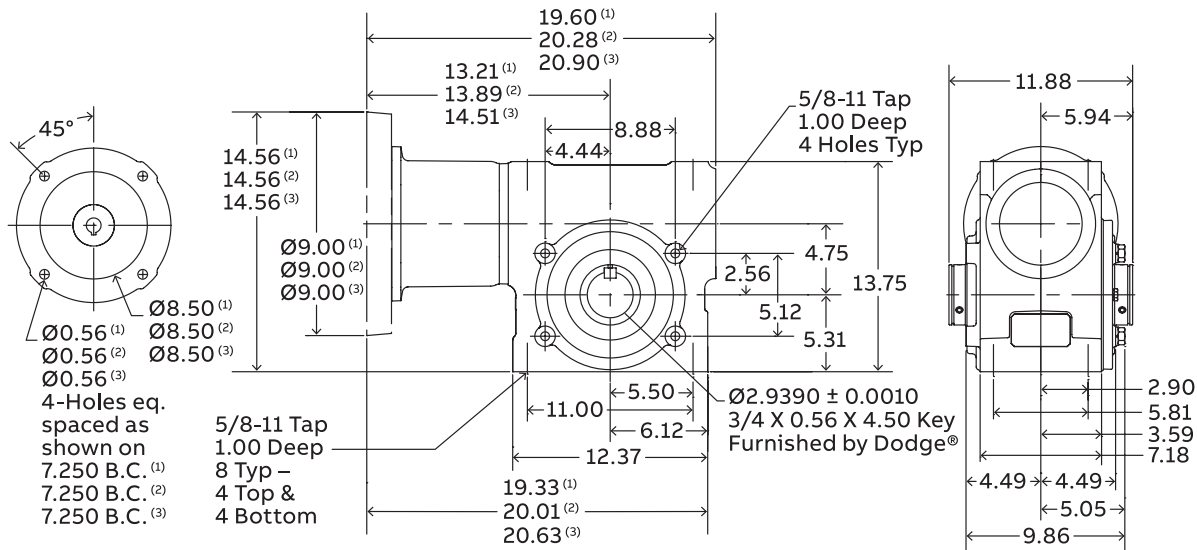
Tigear[®]-2 reducers with 3-piece coupled input – Size 47

Solid output

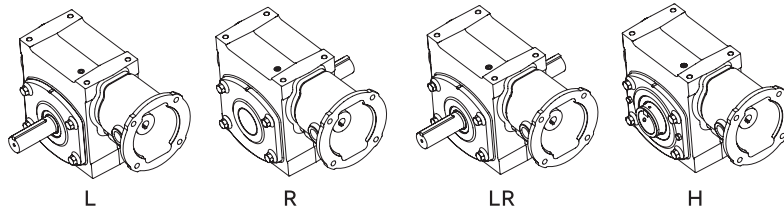


- ⁽¹⁾ 180 Frame motor adapter
- ⁽²⁾ 210 Frame motor adapter
- ⁽³⁾ 250 Frame motor adapter

Hollow output



Output shaft configurations



Washdown products

Tigear®-2 E-Z Kleen® reducers with quill input – Size 13

Tigear-2 E-Z Kleen® reducers with quill input – Size 13

Ratio	Output RPM	Rating data		Part number	Shaft position
			1750 Input RPM		
5	350	Mechanical input Hp	1.32	13QZ05L56	L
		Thermal input Hp	2.94	13QZ05R56	R
		Output torque (lb. in.)	219	13QZ05LR56	LR
		Mechanical output Hp	1.22	13QZ05H56	Hollow
		Output OHL (lbs.)	650	-	-
7.5	233	Mechanical input Hp	1.04	13QZ07L56	L
		Thermal input Hp	2.27	13QZ07R56	R
		Output torque (lb. in.)	251	13QZ07LR56	LR
		Mechanical output Hp	0.94	13QZ07H56	Hollow
		Output OHL (lbs.)	650	-	-
10	175	Mechanical input Hp	0.85	13QZ10L56	L
		Thermal input Hp	1.96	13QZ10R56	R
		Output torque (lb. in.)	270	13QZ10LR56	LR
		Mechanical output Hp	0.75	13QZ10H56	Hollow
		Output OHL (lbs.)	650	-	-
15	117	Mechanical input Hp	0.64	13QZ15L56	L
		Thermal input Hp	1.38	13QZ15R56	R
		Output torque (lb. in.)	293	13QZ15LR56	LR
		Mechanical output Hp	0.54	13QZ15H56	Hollow
		Output OHL (lbs.)	650	-	-
20	88	Mechanical input Hp	0.53	13QZ20L56	L
		Thermal input Hp	1.06	13QZ20R56	R
		Output torque (lb. in.)	304	13QZ20LR56	LR
		Mechanical output Hp	0.42	13QZ20H56	Hollow
		Output OHL (lbs.)	650	-	-
25	70	Mechanical input Hp	0.46	13QZ25L56	L
		Thermal input Hp	0.86	13QZ25R56	R
		Output torque (lb. in.)	311	13QZ25LR56	LR
		Mechanical output Hp	0.35	13QZ25H56	Hollow
		Output OHL (lbs.)	650	-	-
30	58	Mechanical input Hp	0.39	13QZ30L56	L
		Thermal input Hp	0.85	13QZ30R56	R
		Output torque (lb. in.)	314	13QZ30LR56	LR
		Mechanical output Hp	0.29	13QZ30H56	Hollow
		Output OHL (lbs.)	650	-	-
40	44	Mechanical input Hp	0.32	13QZ40L56	L
		Thermal input Hp	0.70	13QZ40R56	R
		Output torque (lb. in.)	319	13QZ40LR56	LR
		Mechanical output Hp	0.22	13QZ40H56	Hollow
		Output OHL (lbs.)	650	-	-
50	35	Mechanical input Hp	0.27	13QZ50L56	L
		Thermal input Hp	0.61	13QZ50R56	R
		Output torque (lb. in.)	313	13QZ50LR56	LR
		Mechanical output Hp	0.17	13QZ50H56	Hollow
		Output OHL (lbs.)	650	-	-
60	29	Mechanical input Hp	0.23	13QZ60L56	L
		Thermal input Hp	0.54	13QZ60R56	R
		Output torque (lb. in.)	298	13QZ60LR56	LR
		Mechanical output Hp	0.14	13QZ60H56	Hollow
		Output OHL (lbs.)	650	-	-

Note: Reducers are shipped without a mounting base.
Washdown accessories available in accessories section.

Washdown products

Tigear®-2 E-Z Kleen® reducers with 3-piece coupled input – Size 13

Tigear-2 E-Z Kleen® reducers with 3-piece coupled input – Size 13

Ratio	Output RPM	Rating data		Part number	Shaft position
			1750 Input RPM		
5	350	Mechanical input Hp	1.32	13AZ05L56	L
		Thermal input Hp	2.94	13AZ05R56	R
		Output torque (lb. in.)	219	13AZ05LR56	LR
		Mechanical output Hp	1.22	13AZ05H56	Hollow
		Output OHL (lbs.)	650	-	-
7.5	233	Mechanical input Hp	1.04	13AZ07L56	L
		Thermal input Hp	2.27	13AZ07R56	R
		Output torque (lb. in.)	251	13AZ07LR56	LR
		Mechanical output Hp	0.94	13AZ07H56	Hollow
		Output OHL (lbs.)	650	-	-
10	175	Mechanical input Hp	0.85	13AZ10L56	L
		Thermal input Hp	1.96	13AZ10R56	R
		Output torque (lb. in.)	270	13AZ10LR56	LR
		Mechanical output Hp	0.75	13AZ10H56	Hollow
		Output OHL (lbs.)	650	-	-
15	117	Mechanical input Hp	0.64	13AZ15L56	L
		Thermal input Hp	1.38	13AZ15R56	R
		Output torque (lb. in.)	293	13AZ15LR56	LR
		Mechanical output Hp	0.54	13AZ15H56	Hollow
		Output OHL (lbs.)	650	-	-
20	88	Mechanical input Hp	0.53	13AZ20L56	L
		Thermal input Hp	1.06	13AZ20R56	R
		Output torque (lb. in.)	304	13AZ20LR56	LR
		Mechanical output Hp	0.42	13AZ20H56	Hollow
		Output OHL (lbs.)	650	-	-
25	70	Mechanical input Hp	0.46	13AZ25L56	L
		Thermal input Hp	0.86	13AZ25R56	R
		Output torque (lb. in.)	311	13AZ25LR56	LR
		Mechanical output Hp	0.35	13AZ25H56	Hollow
		Output OHL (lbs.)	650	-	-
30	58	Mechanical input Hp	0.39	13AZ30L56	L
		Thermal input Hp	0.85	13AZ30R56	R
		Output torque (lb. in.)	314	13AZ30LR56	LR
		Mechanical output Hp	0.29	13AZ30H56	Hollow
		Output OHL (lbs.)	650	-	-
40	44	Mechanical input Hp	0.32	13AZ40L56	L
		Thermal input Hp	0.70	13AZ40R56	R
		Output torque (lb. in.)	319	13AZ40LR56	LR
		Mechanical output Hp	0.22	13AZ40H56	Hollow
		Output OHL (lbs.)	650	-	-
50	35	Mechanical input Hp	0.27	13AZ50L56	L
		Thermal input Hp	0.61	13AZ50R56	R
		Output torque (lb. in.)	313	13AZ50LR56	LR
		Mechanical output Hp	0.17	13AZ50H56	Hollow
		Output OHL (lbs.)	650	-	-
60	29	Mechanical input Hp	0.23	13AZ60L56	L
		Thermal input Hp	0.54	13AZ60R56	R
		Output torque (lb. in.)	298	13AZ60LR56	LR
		Mechanical output Hp	0.14	13AZ60H56	Hollow
		Output OHL (lbs.)	650	-	-

Note: Reducers are shipped without a mounting base.
Washdown accessories available in accessories section.

Washdown products

Tigear®-2 E-Z Kleen® reducers with quill input – Size 15

Tigear-2 E-Z Kleen® reducers with quill input – Size 15

Ratio	Output RPM	Rating data		Part number	Shaft position
			1750 Input RPM		
5	350	Mechanical input Hp	1.75	15QZ05L56	L
		Thermal input Hp	3.34	15QZ05R56	R
		Output torque (lb. in.)	293	15QZ05LR56	LR
		Mechanical output Hp	1.63	15QZ05H56	Hollow
		Output OHL (lbs.)	710	-	-
7.5	233	Mechanical input Hp	1.40	15QZ07L56	L
		Thermal input Hp	2.55	15QZ07R56	R
		Output torque (lb. in.)	337	15QZ07LR56	LR
		Mechanical output Hp	1.26	15QZ07H56	Hollow
		Output OHL (lbs.)	710	-	-
10	175	Mechanical input Hp	1.13	15QZ10L56	L
		Thermal input Hp	2.22	15QZ10R56	R
		Output torque (lb. in.)	361	15QZ10LR56	LR
		Mechanical output Hp	1.00	15QZ10H56	Hollow
		Output OHL (lbs.)	710	-	-
15	117	Mechanical input Hp	0.86	15QZ15L56	L
		Thermal input Hp	1.58	15QZ15R56	R
		Output torque (lb. in.)	392	15QZ15LR56	LR
		Mechanical output Hp	0.73	15QZ15H56	Hollow
		Output OHL (lbs.)	710	-	-
20	88	Mechanical input Hp	0.70	15QZ20L56	L
		Thermal input Hp	1.26	15QZ20R56	R
		Output torque (lb. in.)	407	15QZ20LR56	LR
		Mechanical output Hp	0.56	15QZ20H56	Hollow
		Output OHL (lbs.)	710	-	-
25	70	Mechanical input Hp	0.60	15QZ25L56	L
		Thermal input Hp	0.99	15QZ25R56	R
		Output torque (lb. in.)	410	15QZ25LR56	LR
		Mechanical output Hp	0.46	15QZ25H56	Hollow
		Output OHL (lbs.)	710	-	-
30	58	Mechanical input Hp	0.51	15QZ30L56	L
		Thermal input Hp	0.96	15QZ30R56	R
		Output torque (lb. in.)	413	15QZ30LR56	LR
		Mechanical output Hp	0.38	15QZ30H56	Hollow
		Output OHL (lbs.)	710	-	-
40	44	Mechanical input Hp	0.41	15QZ40L56	L
		Thermal input Hp	0.80	15QZ40R56	R
		Output torque (lb. in.)	417	15QZ40LR56	LR
		Mechanical output Hp	0.29	15QZ40H56	Hollow
		Output OHL (lbs.)	710	-	-
50	35	Mechanical input Hp	0.34	15QZ50L56	L
		Thermal input Hp	0.70	15QZ50R56	R
		Output torque (lb. in.)	402	15QZ50LR56	LR
		Mechanical output Hp	0.22	15QZ50H56	Hollow
		Output OHL (lbs.)	710	-	-
60	29	Mechanical input Hp	0.29	15QZ60L56	L
		Thermal input Hp	0.62	15QZ60R56	R
		Output torque (lb. in.)	381	15QZ60LR56	LR
		Mechanical output Hp	0.18	15QZ60H56	Hollow
		Output OHL (lbs.)	710	-	-

Note: Reducers are shipped without a mounting base.
Washdown accessories available in accessories section.

Washdown products

Tigear®-2 E-Z Kleen® reducers with 3-piece coupled input – Size 15

Tigear-2 E-Z Kleen® reducers with 3-piece coupled input - Size 15

Ratio	Output RPM	Rating data		Part number	Shaft position
			1750 Input RPM		
5	350	Mechanical input Hp	1.75	15AZ05L56	L
		Thermal input Hp	3.34	15AZ05R56	R
		Output torque (lb. in.)	293	15AZ05LR56	LR
		Mechanical output Hp	1.63	15AZ05H56	Hollow
		Output OHL (lbs.)	710	-	-
7.5	233	Mechanical input Hp	1.40	15AZ07L56	L
		Thermal input Hp	2.55	15AZ07R56	R
		Output torque (lb. in.)	337	15AZ07LR56	LR
		Mechanical output Hp	1.26	15AZ07H56	Hollow
		Output OHL (lbs.)	710	-	-
10	175	Mechanical input Hp	1.13	15AZ10L56	L
		Thermal input Hp	2.22	15AZ10R56	R
		Output torque (lb. in.)	361	15AZ10LR56	LR
		Mechanical output Hp	1.00	15AZ10H56	Hollow
		Output OHL (lbs.)	710	-	-
15	117	Mechanical input Hp	0.86	15AZ15L56	L
		Thermal input Hp	1.58	15AZ15R56	R
		Output torque (lb. in.)	392	15AZ15LR56	LR
		Mechanical output Hp	0.73	15AZ15H56	Hollow
		Output OHL (lbs.)	710	-	-
20	88	Mechanical input Hp	0.70	15AZ20L56	L
		Thermal input Hp	1.26	15AZ20R56	R
		Output torque (lb. in.)	407	15AZ20LR56	LR
		Mechanical output Hp	0.56	15AZ20H56	Hollow
		Output OHL (lbs.)	710	-	-
25	70	Mechanical input Hp	0.60	15AZ25L56	L
		Thermal input Hp	0.99	15AZ25R56	R
		Output torque (lb. in.)	410	15AZ25LR56	LR
		Mechanical output Hp	0.46	15AZ25H56	Hollow
		Output OHL (lbs.)	710	-	-
30	58	Mechanical input Hp	0.51	15AZ30L56	L
		Thermal input Hp	0.96	15AZ30R56	R
		Output torque (lb. in.)	413	15AZ30LR56	LR
		Mechanical output Hp	0.38	15AZ30H56	Hollow
		Output OHL (lbs.)	710	-	-
40	44	Mechanical input Hp	0.41	15AZ40L56	L
		Thermal input Hp	0.80	15AZ40R56	R
		Output torque (lb. in.)	417	15AZ40LR56	LR
		Mechanical output Hp	0.29	15AZ40H56	Hollow
		Output OHL (lbs.)	710	-	-
50	35	Mechanical input Hp	0.34	15AZ50L56	L
		Thermal input Hp	0.70	15AZ50R56	R
		Output torque (lb. in.)	402	15AZ50LR56	LR
		Mechanical output Hp	0.22	15AZ50H56	Hollow
		Output OHL (lbs.)	710	-	-
60	29	Mechanical input Hp	0.29	15AZ60L56	L
		Thermal input Hp	0.62	15AZ60R56	R
		Output torque (lb. in.)	381	15AZ60LR56	LR
		Mechanical output Hp	0.18	15AZ60H56	Hollow
		Output OHL (lbs.)	710	-	-

Note: Reducers are shipped without a mounting base.
Washdown accessories available in accessories section.

Washdown products

Tigear®-2 E-Z Kleen® reducers with quill input – Size 17

Tigear-2 E-Z Kleen® reducers with quill input – Size 17

Ratio	Output RPM	Rating data		Part number		Shaft position
		1750 Input RPM	56C	140TC		
5	350	Mechanical input Hp	2.59	17QZ05L56	17QZ05L14	L
		Thermal input Hp	3.97	17QZ05R56	17QZ05R14	R
		Output torque (lb. in.)	430	17QZ05LR56	17QZ05LR14	LR
		Mechanical output Hp	2.39	17QZ05H56	17QZ05H14	Hollow
		Output OHL (lbs.)	1050	-	-	-
7.5	233	Mechanical input Hp	2.06	17QZ07L56	17QZ07L14	L
		Thermal input Hp	3.42	17QZ07R56	17QZ07R14	R
		Output torque (lb. in.)	500	17QZ07LR56	17QZ07LR14	LR
		Mechanical output Hp	1.88	17QZ07H56	17QZ07H14	Hollow
		Output OHL (lbs.)	1190	-	-	-
10	175	Mechanical input Hp	1.67	17QZ10L56	17QZ10L14	L
		Thermal input Hp	2.76	17QZ10R56	17QZ10R14	R
		Output torque (lb. in.)	534	17QZ10LR56	17QZ10LR14	LR
		Mechanical output Hp	1.48	17QZ10H56	17QZ10H14	Hollow
		Output OHL (lbs.)	1190	-	-	-
15	117	Mechanical input Hp	1.27	17QZ15L56	17QZ15L14	L
		Thermal input Hp	2.01	17QZ15R56	17QZ15R14	R
		Output torque (lb. in.)	583	17QZ15LR56	17QZ15LR14	LR
		Mechanical output Hp	1.08	17QZ15H56	17QZ15H14	Hollow
		Output OHL (lbs.)	1190	-	-	-
20	88	Mechanical input Hp	1.03	17QZ20L56	17QZ20L14	L
		Thermal input Hp	1.58	17QZ20R56	17QZ20R14	R
		Output torque (lb. in.)	602	17QZ20LR56	17QZ20LR14	LR
		Mechanical output Hp	0.84	17QZ20H56	17QZ20H14	Hollow
		Output OHL (lbs.)	1190	-	-	-
25	70	Mechanical input Hp	0.88	17QZ25L56		L
		Thermal input Hp	1.28	17QZ25R56		R
		Output torque (lb.in.)	609	17QZ25LR56	-	LR
		Mechanical output Hp	0.68	17QZ25H56		Hollow
		Output OHL (lbs.)	1190	-	-	-
30	58	Mechanical input Hp	0.76	17QZ30L56		L
		Thermal input Hp	1.20	17QZ30R56		R
		Output torque (lb. in.)	615	17QZ30LR56	-	LR
		Mechanical output Hp	0.57	17QZ30H56		Hollow
		Output OHL (lbs.)	1190	-	-	-
40	44	Mechanical input Hp	0.60	17QZ40L56		L
		Thermal input Hp	1.09	17QZ40R56		R
		Output torque (lb. in.)	627	17QZ40LR56	-	LR
		Mechanical output Hp	0.43	17QZ40H56		Hollow
		Output OHL (lbs.)	1190	-	-	-
50	35	Mechanical input Hp	0.51	17QZ50L56		L
		Thermal input Hp	0.90	17QZ50R56		R
		Output torque (lb. in.)	608	17QZ50LR56	-	LR
		Mechanical output Hp	0.34	17QZ50H56		Hollow
		Output OHL (lbs.)	1190	-	-	-
60	29	Mechanical input Hp	0.43	17QZ60L56		L
		Thermal input Hp	0.80	17QZ60R56		R
		Output torque (lb. in.)	576	17QZ60LR56	-	LR
		Mechanical output Hp	0.27	17QZ60H56		Hollow
		Output OHL (lbs.)	1190	-	-	-

Note: Reducers are shipped without a mounting base.
Washdown accessories available in accessories section.

Washdown products

Tigear®-2 E-Z Kleen® reducers with 3-piece coupled input – Size 17

Tigear-2 E-Z Kleen® reducers with 3-piece coupled input - Size 17

Ratio	Output RPM	Rating data			Part number		Shaft position
		1750 Input RPM	56C	140TC			
5	350	Mechanical input Hp	2.59	17AZ05L56	17AZ05L14	L	
		Thermal input Hp	3.97	17AZ05R56	17AZ05R14	R	
		Output torque (lb.in.)	430	17AZ05LR56	17AZ05LR14	LR	
		Mechanical output Hp	2.39	17AZ05H56	17AZ05H14	Hollow	
		Output OHL (lbs.)	1050	-	-	-	
7.5	233	Mechanical input Hp	2.06	17AZ07L56	17AZ07L14	L	
		Thermal input Hp	3.42	17AZ07R56	17AZ07R14	R	
		Output torque (lb.in.)	500	17AZ07LR56	17AZ07LR14	LR	
		Mechanical output Hp	1.88	17AZ07H56	17AZ07H14	Hollow	
		Output OHL (lbs.)	1190	-	-	-	
10	175	Mechanical input Hp	1.67	17AZ10L56	17AZ10L14	L	
		Thermal input Hp	2.76	17AZ10R56	17AZ10R14	R	
		Output torque (lb.in.)	534	17AZ10LR56	17AZ10LR14	LR	
		Mechanical output Hp	1.48	17AZ10H56	17AZ10H14	Hollow	
		Output OHL (lbs.)	1190	-	-	-	
15	117	Mechanical input Hp	1.27	17AZ15L56	17AZ15L14	L	
		Thermal input Hp	2.01	17AZ15R56	17AZ15R14	R	
		Output torque (lb.in.)	583	17AZ15LR56	17AZ15LR14	LR	
		Mechanical output Hp	1.08	17AZ15H56	17AZ15H14	Hollow	
		Output OHL (lbs.)	1190	-	-	-	
20	88	Mechanical input Hp	1.03	17AZ20L56	17AZ20L14	L	
		Thermal input Hp	1.58	17AZ20R56	17AZ20R14	R	
		Output torque (lb.in.)	602	17AZ20LR56	17AZ20LR14	LR	
		Mechanical output Hp	0.84	17AZ20H56	17AZ20H14	Hollow	
		Output OHL (lbs.)	1190	-	-	-	
25	70	Mechanical input Hp	0.88	17AZ25L56	-	L	
		Thermal input Hp	1.28	17AZ25R56	-	R	
		Output torque (lb.in.)	609	17AZ25LR56	-	LR	
		Mechanical output Hp	0.68	17AZ25H56	-	Hollow	
		Output OHL (lbs.)	1190	-	-	-	
30	58	Mechanical input Hp	0.76	17AZ30L56	-	L	
		Thermal input Hp	1.20	17AZ30R56	-	R	
		Output torque (lb.in.)	615	17AZ30LR56	-	LR	
		Mechanical output Hp	0.57	17AZ30H56	-	Hollow	
		Output OHL (lbs.)	1190	-	-	-	
40	44	Mechanical input Hp	0.60	17AZ40L56	-	L	
		Thermal input Hp	1.09	17AZ40R56	-	R	
		Output torque (lb.in.)	627	17AZ40LR56	-	LR	
		Mechanical output Hp	0.43	17AZ40H56	-	Hollow	
		Output OHL (lbs.)	1190	-	-	-	
50	35	Mechanical input Hp	0.51	17AZ50L56	-	L	
		Thermal input Hp	0.90	17AZ50R56	-	R	
		Output torque (lb.in.)	608	17AZ50LR56	-	LR	
		Mechanical output Hp	0.34	17AZ50H56	-	Hollow	
		Output OHL (lbs.)	1190	-	-	-	
60	29	Mechanical input Hp	0.43	17AZ60L56	-	L	
		Thermal input Hp	0.80	17AZ60R56	-	R	
		Output torque (lb.in.)	576	17AZ60LR56	-	LR	
		Mechanical output Hp	0.27	17AZ60H56	-	Hollow	
		Output OHL (lbs.)	1190	-	-	-	

Note: Reducers are shipped without a mounting base.
Washdown accessories available in accessories section.

Features and benefits

Specification / How to order / Nomenclature

Selection Procedures / Hp / Service factor

Ratings / Dimensions

Washdown E-Z Kleen®

Washdown Food Safe

Food Safe dimensions

Washdown products

Tigear®-2 E-Z Kleen® reducers with quill input – Size 20

Tigear-2 E-Z Kleen® reducers with quill input – Size 20

Ratio	Output RPM	Rating data		Part number		Shaft position
		1750 Input RPM	56C	140TC		
5	350	Mechanical input Hp	3.47	20QZ05L56	20QZ05L14	L
		Thermal input Hp	4.90	20QZ05R56	20QZ05R14	R
		Output torque (lb. in.)	581	20QZ05LR56	20QZ05LR14	LR
		Mechanical output Hp	3.23	20QZ05H56	20QZ05H14	Hollow
		Output OHL (lbs.)	1380	20QZ05HA56	20QZ05HA14	Hollow alt.
7.5	233	Mechanical input Hp	2.78	20QZ07L56	20QZ07L14	L
		Thermal input Hp	4.15	20QZ07R56	20QZ07R14	R
		Output torque (lb. in.)	678	20QZ07LR56	20QZ07LR14	LR
		Mechanical output Hp	2.54	20QZ07H56	20QZ07H14	Hollow
		Output OHL (lbs.)	1560	20QZ07HA56	20QZ07HA14	Hollow alt.
10	175	Mechanical input Hp	2.25	20QZ10L56	20QZ10L14	L
		Thermal input Hp	3.25	20QZ10R56	20QZ10R14	R
		Output torque (lb. in.)	725	20QZ10LR56	20QZ10LR14	LR
		Mechanical output Hp	2.01	20QZ10H56	20QZ10H14	Hollow
		Output OHL (lbs.)	1560	20QZ10HA56	20QZ10HA14	Hollow alt.
15	117	Mechanical input Hp	1.69	20QZ15L56	20QZ15L14	L
		Thermal input Hp	2.52	20QZ15R56	20QZ15R14	R
		Output torque (lb. in.)	790	20QZ15LR56	20QZ15LR14	LR
		Mechanical output Hp	1.46	20QZ15H56	20QZ15H14	Hollow
		Output OHL (lbs.)	1560	20QZ15HA56	20QZ15HA14	Hollow alt.
20	88	Mechanical input Hp	1.34	20QZ20L56	20QZ20L14	L
		Thermal input Hp	1.99	20QZ20R56	20QZ20R14	R
		Output torque (lb. in.)	796	20QZ20LR56	20QZ20LR14	LR
		Mechanical output Hp	1.11	20QZ20H56	20QZ20H14	Hollow
		Output OHL (lbs.)	1560	20QZ20HA56	20QZ20HA14	Hollow alt.
25	70	Mechanical input Hp	1.11	20QZ25L56	20QZ25L14	L
		Thermal input Hp	1.59	20QZ25R56	20QZ25R14	R
		Output torque (lb. in.)	788	20QZ25LR56	20QZ25LR14	LR
		Mechanical output Hp	0.88	20QZ25H56	20QZ25H14	Hollow
		Output OHL (lbs.)	1560	20QZ25HA56	20QZ25HA14	Hollow alt.
30	58	Mechanical input Hp	0.96	20QZ30L56		L
		Thermal input Hp	1.49	20QZ30R56		R
		Output torque (lb. in.)	802	20QZ30LR56	-	LR
		Mechanical output Hp	0.74	20QZ30H56		Hollow
		Output OHL (lbs.)	1560	20QZ30HA56		Hollow alt.
40	44	Mechanical input Hp	0.76	20QZ40L56		L
		Thermal input Hp	1.29	20QZ40R56		R
		Output torque (lb. in.)	801	20QZ40LR56	-	LR
		Mechanical output Hp	0.56	20QZ40H56		Hollow
		Output OHL (lbs.)	1560	20QZ40HA56		Hollow alt.
50	35	Mechanical input Hp	0.64	20QZ50L56		L
		Thermal input Hp	1.09	20QZ50R56		R
		Output torque (lb. in.)	787	20QZ50LR56	-	LR
		Mechanical output Hp	0.44	20QZ50H56		Hollow
		Output OHL (lbs.)	1560	20QZ50HA56		Hollow alt.
60	29	Mechanical input Hp	0.56	20QZ60L56		L
		Thermal input Hp	0.96	20QZ60R56		R
		Output torque (lb. in.)	767	20QZ60LR56	-	LR
		Mechanical output Hp	0.36	20QZ60H56		Hollow
		Output OHL (lbs.)	1560	20QZ60HA56		Hollow alt.

Note: Reducers are shipped without a mounting base.
Washdown accessories available in accessories section.

Features and benefits

Specification / How to order / Nomenclature

Selection procedures / Hp / Service factor

Ratings / Dimensions

Washdown E-Z Kleen®

Washdown Food Safe

Food Safe dimensions

Washdown products

Tigear®-2 E-Z Kleen® reducers with 3-piece coupled input – Size 20

Tigear-2 E-Z Kleen® reducers with 3-piece coupled input - Size 20

Ratio	Output RPM	Rating data		Part number		Shaft position
		1750 Input RPM	56C	140TC		
5	350	Mechanical input Hp	3.47	20AZ05L56	20AZ05L14	L
		Thermal input Hp	4.90	20AZ05R56	20AZ05R14	R
		Output torque (lb. in.)	581	20AZ05LR56	20AZ05LR14	LR
		Mechanical output Hp	3.23	20AZ05H56	20AZ05H14	Hollow
		Output OHL (lbs.)	1380	20AZ05HA56	20AZ05HA14	Hollow alt.
7.5	233	Mechanical input Hp	2.78	20AZ07L56	20AZ07L14	L
		Thermal input Hp	4.15	20AZ07R56	20AZ07R14	R
		Output torque (lb. in.)	678	20AZ07LR56	20AZ07LR14	LR
		Mechanical output Hp	2.54	20AZ07H56	20AZ07H14	Hollow
		Output OHL (lbs.)	1560	20AZ07HA56	20AZ07HA14	Hollow alt.
10	175	Mechanical input Hp	2.25	20AZ10L56	20AZ10L14	L
		Thermal input Hp	3.25	20AZ10R56	20AZ10R14	R
		Output torque (lb. in.)	725	20AZ10LR56	20AZ10LR14	LR
		Mechanical output Hp	2.01	20AZ10H56	20AZ10H14	Hollow
		Output OHL (lbs.)	1560	20AZ10HA56	20AZ10HA14	Hollow alt.
15	117	Mechanical input Hp	1.69	20AZ15L56	20AZ15L14	L
		Thermal input Hp	2.52	20AZ15R56	20AZ15R14	R
		Output torque (lb. in.)	790	20AZ15LR56	20AZ15LR14	LR
		Mechanical output Hp	1.46	20AZ15H56	20AZ15H14	Hollow
		Output OHL (lbs.)	1560	20AZ15HA56	20AZ15HA14	Hollow alt.
20	88	Mechanical input Hp	1.34	20AZ20L56	20AZ20L14	L
		Thermal input Hp	1.99	20AZ20R56	20AZ20R14	R
		Output torque (lb. in.)	796	20AZ20LR56	20AZ20LR14	LR
		Mechanical output Hp	1.11	20AZ20H56	20AZ20H14	Hollow
		Output OHL (lbs.)	1560	20AZ20HA56	20AZ20HA14	Hollow alt.
25	70	Mechanical input Hp	1.11	20AZ25L56	20AZ25L14	L
		Thermal input Hp	1.59	20AZ25R56	20AZ25R14	R
		Output torque (lb. in.)	788	20AZ25LR56	20AZ25LR14	LR
		Mechanical output Hp	0.88	20AZ25H56	20AZ25H14	Hollow
		Output OHL (lbs.)	1560	20AZ25HA56	20AZ25HA14	Hollow alt.
30	58	Mechanical input Hp	0.96	20AZ30L56		L
		Thermal input Hp	1.49	20AZ30R56		R
		Output torque (lb. in.)	802	20AZ30LR56	-	LR
		Mechanical output Hp	0.74	20AZ30H56		Hollow
		Output OHL (lbs.)	1560	20AZ30HA56		Hollow alt.
40	44	Mechanical input Hp	0.76	20AZ40L56		L
		Thermal input Hp	1.29	20AZ40R56		R
		Output torque (lb. in.)	801	20AZ40LR56	-	LR
		Mechanical output Hp	0.56	20AZ40H56		Hollow
		Output OHL (lbs.)	1560	20AZ40HA56		Hollow alt.
50	35	Mechanical input Hp	0.64	20AZ50L56		L
		Thermal input Hp	1.09	20AZ50R56		R
		Output torque (lb. in.)	787	20AZ50LR56	-	LR
		Mechanical output Hp	0.44	20AZ50H56		Hollow
		Output OHL (lbs.)	1560	20AZ50HA56		Hollow alt.
60	29	Mechanical input Hp	0.56	20AZ60L56		L
		Thermal input Hp	0.96	20AZ60R56		R
		Output torque (lb. in.)	767	20AZ60LR56	-	LR
		Mechanical output Hp	0.36	20AZ60H56		Hollow
		Output OHL (lbs.)	1560	20AZ60HA56		Hollow alt.

Note: Reducers are shipped without a mounting base.
Washdown accessories available in accessories section.

Features and benefits

Specification / How to order / Nomenclature

Selection Procedures / Hp / Service factor

Ratings / Dimensions

Washdown E-Z Kleen®

Washdown Food Safe

Food Safe dimensions

Washdown products

Tigear®-2 E-Z Kleen® reducers with quill input – Size 23

Tigear-2 E-Z Kleen® reducers with quill input – Size 23

Ratio	Output RPM	Rating data			Part number			Shaft position
		1750 Input RPM	56C	140TC	180TC			
5	350	Mechanical input Hp	5.25	23QZ05L56	23QZ05L14	23QZ05L18	L	
		Thermal input Hp	6.61	23QZ05R56	23QZ05R14	23QZ05R18	R	
		Output torque (lb. in.)	881	23QZ05LR56	23QZ05LR14	23QZ05LR18	LR	
		Mechanical output Hp	4.89	23QZ05H56	23QZ05H14	23QZ05H18	Hollow	
		Output OHL (lbs.)	1330	23QZ05HA56	23QZ05HA14	23QZ05HA18	Hollow alt.	
7.5	233	Mechanical input Hp	4.18	23QZ07L56	23QZ07L14	23QZ07L18	L	
		Thermal input Hp	5.64	23QZ07R56	23QZ07R14	23QZ07R18	R	
		Output torque (lb. in.)	1026	23QZ07LR56	23QZ07LR14	23QZ07LR18	LR	
		Mechanical output Hp	3.85	23QZ07H56	23QZ07H14	23QZ07H18	Hollow	
		Output OHL (lbs.)	1520	23QZ07HA56	23QZ07HA14	23QZ07HA18	Hollow alt.	
10	175	Mechanical input Hp	3.42	23QZ10L56	23QZ10L14	23QZ10L18	L	
		Thermal input Hp	4.40	23QZ10R56	23QZ10R14	23QZ10R18	R	
		Output torque (lb. in.)	1106	23QZ10LR56	23QZ10LR14	23QZ10LR18	LR	
		Mechanical output Hp	3.07	23QZ10H56	23QZ10H14	23QZ10H18	Hollow	
		Output OHL (lbs.)	1610	23QZ10HA56	23QZ10HA14	23QZ10HA18	Hollow alt.	
15	117	Mechanical input Hp	2.57	23QZ15L56	23QZ15L14		L	
		Thermal input Hp	3.30	23QZ15R56	23QZ15R14		R	
		Output torque (lb. in.)	1199	23QZ15LR56	23QZ15LR14	-	LR	
		Mechanical output Hp	2.22	23QZ15H56	23QZ15H14		Hollow	
		Output OHL (lbs.)	1610	23QZ15HA56	23QZ15HA14		Hollow alt.	
20	88	Mechanical input Hp	2.00	23QZ20L56	23QZ20L14		L	
		Thermal input Hp	2.62	23QZ20R56	23QZ20R14		R	
		Output torque (lb. in.)	1178	23QZ20LR56	23QZ20LR14	-	LR	
		Mechanical output Hp	1.64	23QZ20H56	23QZ20H14		Hollow	
		Output OHL (lbs.)	1610	23QZ20HA56	23QZ20HA14		Hollow alt.	
25	70	Mechanical input Hp	1.65	23QZ25L56	23QZ25L14		L	
		Thermal input Hp	2.16	23QZ25R56	23QZ25R14		R	
		Output torque (lb. in.)	1184	23QZ25LR56	23QZ25LR14	-	LR	
		Mechanical output Hp	1.32	23QZ25H56	23QZ25H14		Hollow	
		Output OHL (lbs.)	1610	23QZ25HA56	23QZ25HA14		Hollow alt.	
30	58	Mechanical input Hp	1.42	23QZ30L56	23QZ30L14		L	
		Thermal input Hp	2.06	23QZ30R56	23QZ30R14		R	
		Output torque (lb. in.)	1201	23QZ30LR56	23QZ30LR14	-	LR	
		Mechanical output Hp	1.11	23QZ30H56	23QZ30H14		Hollow	
		Output OHL (lbs.)	1610	23QZ30HA56	23QZ30HA14		Hollow alt.	
40	44	Mechanical input Hp	1.11	23QZ40L56	23QZ40L14		L	
		Thermal input Hp	1.73	23QZ40R56	23QZ40R14		R	
		Output torque (lb. in.)	1193	23QZ40LR56	23QZ40LR14	-	LR	
		Mechanical output Hp	0.83	23QZ40H56	23QZ40H14		Hollow	
		Output OHL (lbs.)	1610	23QZ40HA56	23QZ40HA14		Hollow alt.	
50	35	Mechanical input Hp	0.95	23QZ50L56			L	
		Thermal input Hp	1.42	23QZ50R56			R	
		Output torque (lb. in.)	1182	23QZ50LR56	-	-	LR	
		Mechanical output Hp	0.66	23QZ50H56			Hollow	
		Output OHL (lbs.)	1610	23QZ50HA56			Hollow alt.	
60	29	Mechanical input Hp	0.80	23QZ60L56			L	
		Thermal input Hp	1.24	23QZ60R56			R	
		Output torque (lb. in.)	1111	23QZ60LR56	-	-	LR	
		Mechanical output Hp	0.51	23QZ60H56			Hollow	
		Output OHL (lbs.)	1610	23QZ60HA56			Hollow alt.	

Note: Reducers are shipped without a mounting base.
Washdown accessories available in accessories section.

The output bore for hollow reducers listed above is 1-7/16". We also offer a 1-1/4" output bore. To order, add "BD104" to the end of the part number.
Example: 23QZ30H56BD104.

Features and benefits

Specification / How to order / Nomenclature

Selection procedures / Hp / Service factor

Ratings / Dimensions

Washdown E-Z Kleen®

Washdown Food Safe

Food Safe dimensions

Washdown products

Tigear®-2 E-Z Kleen® reducers with 3-piece coupled input – Size 23

Tigear-2 E-Z Kleen® reducers with 3-piece coupled input - Size 23

Ratio	Output RPM	Rating data			Part number			Shaft position
		1750 Input RPM	56C	140TC	180TC			
5	350	Mechanical input Hp	5.25	23AZ05L56	23AZ05L14	23AZ05L18	L	
		Thermal input Hp	6.61	23AZ05R56	23AZ05R14	23AZ05R18	R	
		Output torque (lb. in.)	881	23AZ05LR56	23AZ05LR14	23AZ05LR18	LR	
		Mechanical output Hp	4.89	23AZ05H56	23AZ05H14	23AZ05H18	Hollow	
		Output OHL (lbs.)	1330	23AZ05HA56	23AZ05HA14	23AZ05HA18	Hollow alt.	
7.5	233	Mechanical input Hp	4.18	23AZ07L56	23AZ07L14	23AZ07L18	L	
		Thermal input Hp	5.64	23AZ07R56	23AZ07R14	23AZ07R18	R	
		Output torque (lb. in.)	1026	23AZ07LR56	23AZ07LR14	23AZ07LR18	LR	
		Mechanical output Hp	3.85	23AZ07H56	23AZ07H14	23AZ07H18	Hollow	
		Output OHL (lbs.)	1520	23AZ07HA56	23AZ07HA14	23AZ07HA18	Hollow alt.	
10	175	Mechanical input Hp	3.42	23AZ10L56	23AZ10L14	23AZ10L18	L	
		Thermal input Hp	4.40	23AZ10R56	23AZ10R14	23AZ10R18	R	
		Output torque (lb. in.)	1106	23AZ10LR56	23AZ10LR14	23AZ10LR18	LR	
		Mechanical output Hp	3.07	23AZ10H56	23AZ10H14	23AZ10H18	Hollow	
		Output OHL (lbs.)	1610	23AZ10HA56	23AZ10HA14	23AZ10HA18	Hollow alt.	
15	117	Mechanical input Hp	2.57	23AZ15L56	23AZ15L14		L	
		Thermal input Hp	3.30	23AZ15R56	23AZ15R14		R	
		Output torque (lb. in.)	1199	23AZ15LR56	23AZ15LR14	-	LR	
		Mechanical output Hp	2.22	23AZ15H56	23AZ15H14		Hollow	
		Output OHL (lbs.)	1610	23AZ15HA56	23AZ15HA14		Hollow alt.	
20	88	Mechanical input Hp	2.00	23AZ20L56	23AZ20L14		L	
		Thermal input Hp	2.62	23AZ20R56	23AZ20R14		R	
		Output torque (lb. in.)	1178	23AZ20LR56	23AZ20LR14	-	LR	
		Mechanical output Hp	1.64	23AZ20H56	23AZ20H14		Hollow	
		Output OHL (lbs.)	1610	23AZ20HA56	23AZ20HA14		Hollow alt.	
25	70	Mechanical input Hp	1.65	23AZ25L56	23AZ25L14		L	
		Thermal input Hp	2.16	23AZ25R56	23AZ25R14		R	
		Output torque (lb. in.)	1184	23AZ25LR56	23AZ25LR14	-	LR	
		Mechanical output Hp	1.32	23AZ25H56	23AZ25H14		Hollow	
		Output OHL (lbs.)	1610	23AZ25HA56	23AZ25HA14		Hollow alt.	
30	58	Mechanical input Hp	1.42	23AZ30L56	23AZ30L14		L	
		Thermal input Hp	2.06	23AZ30R56	23AZ30R14		R	
		Output torque (lb. in.)	1201	23AZ30LR56	23AZ30LR14	-	LR	
		Mechanical output Hp	1.11	23AZ30H56	23AZ30H14		Hollow	
		Output OHL (lbs.)	1610	23AZ30HA56	23AZ30HA14		Hollow alt.	
40	44	Mechanical input Hp	1.11	23AZ40L56	23AZ40L14		L	
		Thermal input Hp	1.73	23AZ40R56	23AZ40R14		R	
		Output torque (lb. in.)	1193	23AZ40LR56	23AZ40LR14	-	LR	
		Mechanical output Hp	0.83	23AZ40H56	23AZ40H14		Hollow	
		Output OHL (lbs.)	1610	23AZ40HA56	23AZ40HA14		Hollow alt.	
50	35	Mechanical input Hp	0.95	23AZ50L56			L	
		Thermal input Hp	1.42	23AZ50R56			R	
		Output torque (lb. in.)	1182	23AZ50LR56	-	-	LR	
		Mechanical output Hp	0.66	23AZ50H56			Hollow	
		Output OHL (lbs.)	1610	23AZ50HA56			Hollow alt.	
60	29	Mechanical input Hp	0.80	23AZ60L56			L	
		Thermal input Hp	1.24	23AZ60R56			R	
		Output torque (lb. in.)	1111	23AZ60LR56	-	-	LR	
		Mechanical output Hp	0.51	23AZ60H56			Hollow	
		Output OHL (lbs.)	1610	23AZ60HA56			Hollow alt.	

Note: Reducers are shipped without a mounting base.
Washdown accessories available in accessories section.

The output bore for hollow reducers listed above is 1-7/16". We also offer a 1-1/4" output bore. To order, add "BD104" to the end of the part number.
Example: 23AZ30H56BD104.

Features and benefits

Specification / How to order / Nomenclature

Selection Procedures / Hp / Service factor

Ratings / Dimensions

Washdown E-Z Kleen®

Washdown Food Safe

Food Safe dimensions

Washdown products

Tigear®-2 E-Z Kleen® reducers with quill input – Size 26

Tigear-2 E-Z Kleen® reducers with quill input – Size 26

Ratio	Output RPM	Rating data			Part number			Shaft position
		1750 Input RPM	56C	140TC	180TC			
5	350	Mechanical input Hp	7.37		26QZ05L14	26QZ05L18		L
		Thermal input Hp	8.79		26QZ05R14	26QZ05R18		R
		Output torque (lb. in.)	1247	-	26QZ05LR14	26QZ05LR18		LR
		Mechanical output Hp	6.93		26QZ05H14	26QZ05H18		Hollow
		Output OHL (lbs.)	1330		26QZ05HA14	26QZ05HA18		Hollow alt.
7.5	233	Mechanical input Hp	5.92	26QZ07L56	26QZ07L14	26QZ07L18		L
		Thermal input Hp	6.89	26QZ07R56	26QZ07R14	26QZ07R18		R
		Output torque (lb. in.)	1458	26QZ07LR56	26QZ07LR14	26QZ07LR18		LR
		Mechanical output Hp	5.47	26QZ07H56	26QZ07H14	26QZ07H18		Hollow
		Output OHL (lbs.)	1520	26QZ07HA56	26QZ07HA14	26QZ07HA18		Hollow alt.
10	175	Mechanical input Hp	4.83	26QZ10L56	26QZ10L14	26QZ10L18		L
		Thermal input Hp	5.61	26QZ10R56	26QZ10R14	26QZ10R18		R
		Output torque (lb. in.)	1576	26QZ10LR56	26QZ10LR14	26QZ10LR18		LR
		Mechanical output Hp	4.37	26QZ10H56	26QZ10H14	26QZ10H18		Hollow
		Output OHL (lbs.)	1610	26QZ10HA56	26QZ10HA14	26QZ10HA18		Hollow alt.
15	117	Mechanical input Hp	3.62	26QZ15L56	26QZ15L14	26QZ15L18		L
		Thermal input Hp	4.15	26QZ15R56	26QZ15R14	26QZ15R18		R
		Output torque (lb. in.)	1708	26QZ15LR56	26QZ15LR14	26QZ15LR18		LR
		Mechanical output Hp	3.16	26QZ15H56	26QZ15H14	26QZ15H18		Hollow
		Output OHL (lbs.)	1610	26QZ15HA56	26QZ15HA14	26QZ15HA18		Hollow alt.
20	88	Mechanical input Hp	2.71	26QZ20L56	26QZ20L14			L
		Thermal input Hp	3.71	26QZ20R56	26QZ20R14			R
		Output torque (lb. in.)	1673	26QZ20LR56	26QZ20LR14		-	LR
		Mechanical output Hp	2.32	26QZ20H56	26QZ20H14			Hollow
		Output OHL (lbs.)	1610	26QZ20HA56	26QZ20HA14			Hollow alt.
25	70	Mechanical input Hp	2.26	26QZ25L56	26QZ25L14			L
		Thermal input Hp	3.00	26QZ25R56	26QZ25R14			R
		Output torque (lb. in.)	1677	26QZ25LR56	26QZ25LR14		-	LR
		Mechanical output Hp	1.86	26QZ25H56	26QZ25H14			Hollow
		Output OHL (lbs.)	1610	26QZ25HA56	26QZ25HA14			Hollow alt.
30	58	Mechanical input Hp	2.00	26QZ30L56	26QZ30L14			L
		Thermal input Hp	2.79	26QZ30R56	26QZ30R14			R
		Output torque (lb. in.)	1705	26QZ30LR56	26QZ30LR14		-	LR
		Mechanical output Hp	1.58	26QZ30H56	26QZ30H14			Hollow
		Output OHL (lbs.)	1610	26QZ30HA56	26QZ30HA14			Hollow alt.
40	44	Mechanical input Hp	1.55	26QZ40L56	26QZ40L14			L
		Thermal input Hp	2.14	26QZ40R56	26QZ40R14			R
		Output torque (lb. in.)	1685	26QZ40LR56	26QZ40LR14		-	LR
		Mechanical output Hp	1.17	26QZ40H56	26QZ40H14			Hollow
		Output OHL (lbs.)	1610	26QZ40HA56	26QZ40HA14			Hollow alt.
50	35	Mechanical input Hp	1.32	26QZ50L56	26QZ50L14			L
		Thermal input Hp	1.76	26QZ50R56	26QZ50R14			R
		Output torque (lb. in.)	1662	26QZ50LR56	26QZ50LR14		-	LR
		Mechanical output Hp	0.92	26QZ50H56	26QZ50H14			Hollow
		Output OHL (lbs.)	1610	26QZ50HA56	26QZ50HA14			Hollow alt.
60	29	Mechanical input Hp	1.08	26QZ60L56	26QZ60L14			L
		Thermal input Hp	1.57	26QZ60R56	26QZ60R14			R
		Output torque (lb. in.)	1547	26QZ60LR56	26QZ60LR14		-	LR
		Mechanical output Hp	0.72	26QZ60H56	26QZ60H14			Hollow
		Output OHL (lbs.)	1610	26QZ60HA56	26QZ60HA14			Hollow alt.

Note: Reducers are shipped without a mounting base.
Washdown accessories available in accessories section.

The output bore for hollow reducers listed above is 1-7/16". We also offer a 1-1/4" output bore. To order, add "BD104" to the end of the part number.
Example: 26QZ30H56BD104.

Features and benefits

Specification / How to order / Nomenclature

Selection procedures / Hp / Service factor

Ratings / Dimensions

Washdown E-Z Kleen®

Washdown Food Safe

Food Safe dimensions

Washdown products

Tigear®-2 E-Z Kleen® reducers with 3-piece coupled input – Size 26

Tigear-2 E-Z Kleen® reducers with 3-piece coupled input - Size 26

Ratio	Output RPM	Rating data			Part number	Shaft position	
		1750 Input RPM	56C	140TC			180TC
5	350	Mechanical input Hp	7.37		26AZ05L14	26AZ05L18	L
		Thermal input Hp	8.79		26AZ05R14	26AZ05R18	R
		Output torque (lb. in.)	1247	-	26AZ05LR14	26AZ05LR18	LR
		Mechanical output Hp	6.93		26AZ05H14	26AZ05H18	Hollow
		Output OHL (lbs.)	1330		26AZ05HA14	26AZ05HA18	Hollow alt.
7.5	233	Mechanical input Hp	5.92	26AZ07L56	26AZ07L14	26AZ07L18	L
		Thermal input Hp	6.89	26AZ07R56	26AZ07R14	26AZ07R18	R
		Output torque (lb. in.)	1458	26AZ07LR56	26AZ07LR14	26AZ07LR18	LR
		Mechanical output Hp	5.47	26AZ07H56	26AZ07H14	26AZ07H18	Hollow
		Output OHL (lbs.)	1520	26AZ07HA56	26AZ07HA14	26AZ07HA18	Hollow alt.
10	175	Mechanical input Hp	4.83	26AZ10L56	26AZ10L14	26AZ10L18	L
		Thermal input Hp	5.61	26AZ10R56	26AZ10R14	26AZ10R18	R
		Output torque (lb. in.)	1576	26AZ10LR56	26AZ10LR14	26AZ10LR18	LR
		Mechanical output Hp	4.37	26AZ10H56	26AZ10H14	26AZ10H18	Hollow
		Output OHL (lbs.)	1610	26AZ10HA56	26AZ10HA14	26AZ10HA18	Hollow alt.
15	117	Mechanical input Hp	3.62	26AZ15L56	26AZ15L14	26AZ15L18	L
		Thermal input Hp	4.15	26AZ15R56	26AZ15R14	26AZ15R18	R
		Output torque (lb. in.)	1708	26AZ15LR56	26AZ15LR14	26AZ15LR18	LR
		Mechanical output Hp	3.16	26AZ15H56	26AZ15H14	26AZ15H18	Hollow
		Output OHL (lbs.)	1610	26AZ15HA56	26AZ15HA14	26AZ15HA18	Hollow alt.
20	88	Mechanical input Hp	2.71	26AZ20L56	26AZ20L14		L
		Thermal input Hp	3.71	26AZ20R56	26AZ20R14		R
		Output torque (lb. in.)	1673	26AZ20LR56	26AZ20LR14	-	LR
		Mechanical output Hp	2.32	26AZ20H56	26AZ20H14		Hollow
		Output OHL (lbs.)	1610	26AZ20HA56	26AZ20HA14		Hollow alt.
25	70	Mechanical input Hp	2.26	26AZ25L56	26AZ25L14		L
		Thermal input Hp	3.00	26AZ25R56	26AZ25R14		R
		Output torque (lb. in.)	1677	26AZ25LR56	26AZ25LR14	-	LR
		Mechanical output Hp	1.86	26AZ25H56	26AZ25H14		Hollow
		Output OHL (lbs.)	1610	26AZ25HA56	26AZ25HA14		Hollow alt.
30	58	Mechanical input Hp	2.00	26AZ30L56	26AZ30L14		L
		Thermal input Hp	2.79	26AZ30R56	26AZ30R14		R
		Output torque (lb. in.)	1705	26AZ30LR56	26AZ30LR14	-	LR
		Mechanical output Hp	1.58	26AZ30H56	26AZ30H14		Hollow
		Output OHL (lbs.)	1610	26AZ30HA56	26AZ30HA14		Hollow alt.
40	44	Mechanical input Hp	1.55	26AZ40L56	26AZ40L14		L
		Thermal input Hp	2.14	26AZ40R56	26AZ40R14		R
		Output torque (lb.in.)	1685	26AZ40LR56	26AZ40LR14	-	LR
		Mechanical output Hp	1.17	26AZ40H56	26AZ40H14		Hollow
		Output OHL (lbs.)	1610	26AZ40HA56	26AZ40HA14		Hollow alt.
50	35	Mechanical input Hp	1.32	26AZ50L56	26AZ50L14		L
		Thermal input Hp	1.76	26AZ50R56	26AZ50R14		R
		Output torque (lb. in.)	1662	26AZ50LR56	26AZ50LR14	-	LR
		Mechanical output Hp	0.92	26AZ50H56	26AZ50H14		Hollow
		Output OHL (lbs.)	1610	26AZ50HA56	26AZ50HA14		Hollow alt.
60	29	Mechanical input Hp	1.08	26AZ60L56	26AZ60L14		L
		Thermal input Hp	1.57	26AZ60R56	26AZ60R14		R
		Output torque (lb. in.)	1547	26AZ60LR56	26AZ60LR14	-	LR
		Mechanical output Hp	0.72	26AZ60H56	26AZ60H14		Hollow
		Output OHL (lbs.)	1610	26AZ60HA56	26AZ60HA14		Hollow alt.

Note: Reducers are shipped without a mounting base.
Washdown accessories available in accessories section.

The output bore for hollow reducers listed above is 1-7/16". We also offer a 1-1/4" output bore. To order, add "BD104" to the end of the part number.
Example: 26AZ30H56BD104.

Washdown products

Tigear®-2 E-Z Kleen® reducers with quill input – Size 30

Tigear-2 E-Z Kleen® reducers with quill input - Size 30

Ratio	Output RPM	Rating data			Part number			Shaft position
		1750 Input RPM	56C	140TC	180TC			
5	350	Mechanical input Hp	10.84		30QZ05L14	30QZ05L18	L	
		Thermal input Hp	12.53		30QZ05R14	30QZ05R18	R	
		Output torque (lb. in.)	1849	-	30QZ05LR14	30QZ05LR18	LR	
		Mechanical output Hp	10.27		30QZ05H14	30QZ05H18	Hollow	
		Output OHL (lbs.)	1330		-	-	-	
7.5	233	Mechanical input Hp	8.74		30QZ07L14	30QZ07L18	L	
		Thermal input Hp	9.64		30QZ07R14	30QZ07R18	R	
		Output torque (lb. in.)	2171	-	30QZ07LR14	30QZ07LR18	LR	
		Mechanical output Hp	8.15		30QZ07H14	30QZ07H18	Hollow	
		Output OHL (lbs.)	1540		-	-	-	
10	175	Mechanical input Hp	7.11		30QZ10L14	30QZ10L18	L	
		Thermal input Hp	7.85		30QZ10R14	30QZ10R18	R	
		Output torque (lb. in.)	2347	-	30QZ10LR14	30QZ10LR18	LR	
		Mechanical output Hp	6.52		30QZ10H14	30QZ10H18	Hollow	
		Output OHL (lbs.)	1720		-	-	-	
15	117	Mechanical input Hp	5.00		30QZ15L14	30QZ15L18	L	
		Thermal input Hp	5.72		30QZ15R14	30QZ15R18	R	
		Output torque (lb. in.)	2371	-	30QZ15LR14	30QZ15LR18	LR	
		Mechanical output Hp	4.39		30QZ15H14	30QZ15H18	Hollow	
		Output OHL (lbs.)	2300		-	-	-	
20	88	Mechanical input Hp	3.81	30QZ20L56	30QZ20L14	30QZ20L18	L	
		Thermal input Hp	4.52	30QZ20R56	30QZ20R14	30QZ20R18	R	
		Output torque (lb. in.)	2345	30QZ20LR56	30QZ20LR14	30QZ20LR18	LR	
		Mechanical output Hp	3.26	30QZ20H56	30QZ20H14	30QZ20H18	Hollow	
		Output OHL (lbs.)	2300		-	-	-	
25	70	Mechanical input Hp	3.05	30QZ25L56	30QZ25L14	30QZ25L18	L	
		Thermal input Hp	3.90	30QZ25R56	30QZ25R14	30QZ25R18	R	
		Output torque (lb. in.)	2284	30QZ25LR56	30QZ25LR14	30QZ25LR18	LR	
		Mechanical output Hp	2.54	30QZ25H56	30QZ25H14	30QZ25H18	Hollow	
		Output OHL (lbs.)	2300		-	-	-	
30	58	Mechanical input Hp	2.75	30QZ30L56	30QZ30L14		L	
		Thermal input Hp	3.58	30QZ30R56	30QZ30R14		R	
		Output torque (lb. in.)	2417	30QZ30LR56	30QZ30LR14	-	LR	
		Mechanical output Hp	2.24	30QZ30H56	30QZ30H14		Hollow	
		Output OHL (lbs.)	2300		-	-	-	
40	44	Mechanical input Hp	2.09	30QZ40L56	30QZ40L14		L	
		Thermal input Hp	2.87	30QZ40R56	30QZ40R14		R	
		Output torque (lb. in.)	2324	30QZ40LR56	30QZ40LR14	-	LR	
		Mechanical output Hp	1.61	30QZ40H56	30QZ40H14		Hollow	
		Output OHL (lbs.)	2300		-	-	-	
50	35	Mechanical input Hp	1.75	30QZ50L56	30QZ50L14		L	
		Thermal input Hp	2.34	30QZ50R56	30QZ50R14		R	
		Output torque (lb. in.)	2257	30QZ50LR56	30QZ50LR14	-	LR	
		Mechanical output Hp	1.25	30QZ50H56	30QZ50H14		Hollow	
		Output OHL (lbs.)	2300		-	-	-	
60	29	Mechanical input Hp	1.50	30QZ60L56	30QZ60L14		L	
		Thermal input Hp	2.01	30QZ60R56	30QZ60R14		R	
		Output torque (lb. in.)	2138	30QZ60LR56	30QZ60LR14	-	LR	
		Mechanical output Hp	0.99	30QZ60H56	30QZ60H14		Hollow	
		Output OHL (lbs.)	2300		-	-	-	

Note: Reducers are shipped without a mounting base.
Washdown accessories available in accessories section.

The output bore for hollow reducers listed above is 1-15/16". We also offer a 1-1/4" output bore. To order, add "BD104" to the end of the part number.
Example: 30QZ30H56BD104

Features and benefits

Specification / How to order / Nomenclature

Selection procedures / Hp / Service factor

Ratings / Dimensions

Washdown E-Z Kleen®

Washdown Food Safe

Food Safe dimensions

Washdown products

Tigear®-2 E-Z Kleen® reducers with 3-piece coupled input – Size 30

Tigear-2 E-Z Kleen® reducers with 3-piece coupled input - Size 30

Ratio	Output RPM	Rating data			Part number			Shaft position
		1750 Input RPM	56C	140TC	180TC			
5	350	Mechanical input Hp	10.84		30AZ05L14	30AZ05L18		L
		Thermal input Hp	12.53		30AZ05R14	30AZ05R18		R
		Output torque (lb. in.)	1849	-	30AZ05LR14	30AZ05LR18		LR
		Mechanical output Hp	10.27		30AZ05H14	30AZ05H18		Hollow
		Output OHL (lbs.)	1330		-	-		-
7.5	233	Mechanical input Hp	8.74		30AZ07L14	30AZ07L18		L
		Thermal input Hp	9.64		30AZ07R14	30AZ07R18		R
		Output torque (lb. in.)	2171	-	30AZ07LR14	30AZ07LR18		LR
		Mechanical output Hp	8.15		30AZ07H14	30AZ07H18		Hollow
		Output OHL (lbs.)	1540		-	-		-
10	175	Mechanical input Hp	7.11		30AZ10L14	30AZ10L18		L
		Thermal input Hp	7.85		30AZ10R14	30AZ10R18		R
		Output torque (lb. in.)	2347	-	30AZ10LR14	30AZ10LR18		LR
		Mechanical output Hp	6.52		30AZ10H14	30AZ10H18		Hollow
		Output OHL (lbs.)	1720		-	-		-
15	117	Mechanical input Hp	5.00		30AZ15L14	30AZ15L18		L
		Thermal input Hp	5.72		30AZ15R14	30AZ15R18		R
		Output torque (lb. in.)	2371	-	30AZ15LR14	30AZ15LR18		LR
		Mechanical output Hp	4.39		30AZ15H14	30AZ15H18		Hollow
		Output OHL (lbs.)	2300		-	-		-
20	88	Mechanical input Hp	3.81	30AZ20L56	30AZ20L14	30AZ20L18		L
		Thermal input Hp	4.52	30AZ20R56	30AZ20R14	30AZ20R18		R
		Output torque (lb. in.)	2345	30AZ20LR56	30AZ20LR14	30AZ20LR18		LR
		Mechanical output Hp	3.26	30AZ20H56	30AZ20H14	30AZ20H18		Hollow
		Output OHL (lbs.)	2300		-	-		-
25	70	Mechanical input Hp	3.05	30AZ25L56	30AZ25L14	30AZ25L18		L
		Thermal input Hp	3.90	30AZ25R56	30AZ25R14	30AZ25R18		R
		Output torque (lb. in.)	2284	30AZ25LR56	30AZ25LR14	30AZ25LR18		LR
		Mechanical output Hp	2.54	30AZ25H56	30AZ25H14	30AZ25H18		Hollow
		Output OHL (lbs.)	2300		-	-		-
30	58	Mechanical input Hp	2.75	30AZ30L56	30AZ30L14			L
		Thermal input Hp	3.58	30AZ30R56	30AZ30R14			R
		Output torque (lb. in.)	2417	30AZ30LR56	30AZ30LR14			LR
		Mechanical output Hp	2.24	30AZ30H56	30AZ30H14			Hollow
		Output OHL (lbs.)	2300		-	-		-
40	44	Mechanical input Hp	2.09	30AZ40L56	30AZ40L14			L
		Thermal input Hp	2.87	30AZ40R56	30AZ40R14			R
		Output torque (lb. in.)	2324	30AZ40LR56	30AZ40LR14			LR
		Mechanical output Hp	1.61	30AZ40H56	30AZ40H14			Hollow
		Output OHL (lbs.)	2300		-	-		-
50	35	Mechanical input Hp	1.75	30AZ50L56	30AZ50L14			L
		Thermal input Hp	2.34	30AZ50R56	30AZ50R14			R
		Output torque (lb. in.)	2257	30AZ50LR56	30AZ50LR14			LR
		Mechanical output Hp	1.25	30AZ50H56	30AZ50H14			Hollow
		Output OHL (lbs.)	2300		-	-		-
60	29	Mechanical input Hp	1.50	30AZ60L56	30AZ60L14			L
		Thermal input Hp	2.01	30AZ60R56	30AZ60R14			R
		Output torque (lb. in.)	2138	30AZ60LR56	30AZ60LR14			LR
		Mechanical output Hp	0.99	30AZ60H56	30AZ60H14			Hollow
		Output OHL (lbs.)	2300		-	-		-

Note: Reducers are shipped without a mounting base.
Washdown accessories available in accessories section.

The output bore for hollow reducers listed above is 1-15/16". We also offer a 1-1/4" output bore. To order, add "BD104" to the end of the part number.
Example: 30AZ30H56BD104

Washdown products

Tigear®-2 E-Z Kleen® reducers with quill input – Size 32

Tigear-2 E-Z Kleen® reducers with quill input - Size 32

Ratio	Output RPM	Rating data			Part number			Shaft position
		1750 Input RPM	56C	140TC	180TC			
5	350	Mechanical input Hp	10.84	-	32QZ05L14	32QZ05L18	L	
		Thermal input Hp	12.53		32QZ05R14	32QZ05R18	R	
		Output torque (lb. in.)	1849		32QZ05LR14	32QZ05LR18	LR	
		Mechanical output Hp	10.27		32QZ05H14	32QZ05H18	Hollow	
		Output OHL (lbs.)	1330		-	-	-	
6.5	269	Available Upon Request	-	-	-	-	-	
7.5	233	Mechanical input Hp	8.74	-	32QZ07L14	32QZ07L18	L	
		Thermal input Hp	9.64		32QZ07R14	32QZ07R18	R	
		Output torque (lb. in.)	2171		32QZ07LR14	32QZ07LR18	LR	
		Mechanical output Hp	8.15		32QZ07H14	32QZ07H18	Hollow	
		Output OHL (lbs.)	1540		-	-	-	
10	175	Mechanical input Hp	7.11	-	32QZ10L14	32QZ10L18	L	
		Thermal input Hp	7.85		32QZ10R14	32QZ10R18	R	
		Output torque (lb. in.)	2347		32QZ10LR14	32QZ10LR18	LR	
		Mechanical output Hp	6.52		32QZ10H14	32QZ10H18	Hollow	
		Output OHL (lbs.)	1720		-	-	-	
15	117	Mechanical input Hp	5	-	32QZ15L14	32QZ15L18	L	
		Thermal input Hp	5.72		32QZ15R14	32QZ15R18	R	
		Output torque (lb. in.)	2371		32QZ15LR14	32QZ15LR18	LR	
		Mechanical output Hp	4.39		32QZ15H14	32QZ15H18	Hollow	
		Output OHL (lbs.)	2300		-	-	-	
20	88	Mechanical input Hp	3.81	32QZ20L56	32QZ20L14	32QZ20L18	L	
		Thermal input Hp	4.52	32QZ20R56	32QZ20R14	32QZ20R18	R	
		Output torque (lb. in.)	2345	32QZ20LR56	32QZ20LR14	32QZ20LR18	LR	
		Mechanical output Hp	3.26	32QZ20H56	32QZ20H14	32QZ20H18	Hollow	
		Output OHL (lbs.)	2300	-	-	-	-	
25	70	Mechanical input Hp	3.05	32QZ25L56	32QZ25L14	32QZ25L18	L	
		Thermal input Hp	3.9	32QZ25R56	32QZ25R14	32QZ25R18	R	
		Output torque (lb. in.)	2284	32QZ25LR56	32QZ25LR14	32QZ25LR18	LR	
		Mechanical output Hp	2.54	32QZ25H56	32QZ25H14	32QZ25H18	Hollow	
		Output OHL (lbs.)	2300	-	-	-	-	
30	58	Mechanical input Hp	2.75	32QZ30L56	32QZ30L14	-	L	
		Thermal input Hp	3.58	32QZ30R56	32QZ30R14	-	R	
		Output torque (lb. in.)	2417	32QZ30LR56	32QZ30LR14	-	LR	
		Mechanical output Hp	2.24	32QZ30H56	32QZ30H14	-	Hollow	
		Output OHL (lbs.)	2300	-	-	-	-	
40	44	Mechanical input Hp	2.09	32QZ40L56	32QZ40L14	-	L	
		Thermal input Hp	2.87	32QZ40R56	32QZ40R14	-	R	
		Output torque (lb. in.)	2324	32QZ40LR56	32QZ40LR14	-	LR	
		Mechanical output Hp	1.61	32QZ40H56	32QZ40H14	-	Hollow	
		Output OHL (lbs.)	2300	-	-	-	-	
50	35	Mechanical input Hp	1.75	32QZ50L56	32QZ50L14	-	L	
		Thermal input Hp	2.34	32QZ50R56	32QZ50R14	-	R	
		Output torque (lb. in.)	2257	32QZ50LR56	32QZ50LR14	-	LR	
		Mechanical output Hp	1.25	32QZ50H56	32QZ50H14	-	Hollow	
		Output OHL (lbs.)	2300	-	-	-	-	
60	29	Mechanical input Hp	1.5	32QZ60L56	32QZ60L14	-	L	
		Thermal input Hp	2.01	32QZ60R56	32QZ60R14	-	R	
		Output torque (lb. in.)	2138	32QZ60LR56	32QZ60LR14	-	LR	
		Mechanical output Hp	0.99	32QZ60H56	32QZ60H14	-	Hollow	
		Output OHL (lbs.)	2300	-	-	-	-	

Note: Reducers are shipped without a mounting base.
Washdown accessories available in accessories section.

Washdown products

Tigear®-2 E-Z Kleen® reducers with 3-piece coupled input – Size 32

Tigear-2 E-Z Kleen® reducers with 3-piece coupled input - Size 32

Ratio	Output RPM	Rating data			Part number			Shaft position
		1750 Input RPM	56C	140TC	180TC			
5	350	Mechanical input Hp	10.84	-	32AZ05L14	32AZ05L18		L
		Thermal input Hp	12.53		32AZ05R14	32AZ05R18		R
		Output torque (lb. in.)	1849		32AZ05LR14	32AZ05LR18		LR
		Mechanical output Hp	10.27		32AZ05H14	32AZ05H18		Hollow
		Output OHL (lbs.)	1330		-	-		-
6.5	269	Available Upon Request	-	-	-	-	-	-
7.5	233	Mechanical input Hp	8.74	-	32AZ07L14	32AZ07L18		L
		Thermal input Hp	9.64		32AZ07R14	32AZ07R18		R
		Output torque (lb. in.)	2171		32AZ07LR14	32AZ07LR18		LR
		Mechanical output Hp	8.15		32AZ07H14	32AZ07H18		Hollow
		Output OHL (lbs.)	1540		-	-		-
10	175	Mechanical input Hp	7.11	-	32AZ10L14	32AZ10L18		L
		Thermal input Hp	7.85		32AZ10R14	32AZ10R18		R
		Output torque (lb. in.)	2347		32AZ10LR14	32AZ10LR18		LR
		Mechanical output Hp	6.52		32AZ10H14	32AZ10H18		Hollow
		Output OHL (lbs.)	1720		-	-		-
15	117	Mechanical input Hp	5	-	32AZ15L14	32AZ15L18		L
		Thermal input Hp	5.72		32AZ15R14	32AZ15R18		R
		Output torque (lb. in.)	2371		32AZ15LR14	32AZ15LR18		LR
		Mechanical output Hp	4.39		32AZ15H14	32AZ15H18		Hollow
		Output OHL (lbs.)	2300		-	-		-
20	88	Mechanical input Hp	3.81	32AZ20L56	32AZ20L14	32AZ20L18		L
		Thermal input Hp	4.52	32AZ20R56	32AZ20R14	32AZ20R18		R
		Output torque (lb. in.)	2345	32AZ20LR56	32AZ20LR14	32AZ20LR18		LR
		Mechanical output Hp	3.26	32AZ20H56	32AZ20H14	32AZ20H18		Hollow
		Output OHL (lbs.)	2300		-	-		-
25	70	Mechanical input Hp	3.05	32AZ25L56	32AZ25L14	32AZ25L18		L
		Thermal input Hp	3.9	32AZ25R56	32AZ25R14	32AZ25R18		R
		Output torque (lb. in.)	2284	32AZ25LR56	32AZ25LR14	32AZ25LR18		LR
		Mechanical output Hp	2.54	32AZ25H56	32AZ25H14	32AZ25H18		Hollow
		Output OHL (lbs.)	2300		-	-		-
30	58	Mechanical input Hp	2.75	32AZ30L56	32AZ30L14	-		L
		Thermal input Hp	3.58	32AZ30R56	32AZ30R14			R
		Output torque (lb. in.)	2417	32AZ30LR56	32AZ30LR14			LR
		Mechanical output Hp	2.24	32AZ30H56	32AZ30H14			Hollow
		Output OHL (lbs.)	2300		-	-		-
40	44	Mechanical input Hp	2.09	32AZ40L56	32AZ40L14	-		L
		Thermal input Hp	2.87	32AZ40R56	32AZ40R14			R
		Output torque (lb. in.)	2324	32AZ40LR56	32AZ40LR14			LR
		Mechanical output Hp	1.61	32AZ40H56	32AZ40H14			Hollow
		Output OHL (lbs.)	2300		-	-		-
50	35	Mechanical input Hp	1.75	32AZ50L56	32AZ50L14	-		L
		Thermal input Hp	2.34	32AZ50R56	32AZ50R14			R
		Output torque (lb. in.)	2257	32AZ50LR56	32AZ50LR14			LR
		Mechanical output Hp	1.25	32AZ50H56	32AZ50H14			Hollow
		Output OHL (lbs.)	2300		-	-		-
60	29	Mechanical input Hp	1.5	32AZ60L56	32AZ60L14	-		L
		Thermal input Hp	2.01	32AZ60R56	32AZ60R14			R
		Output torque (lb. in.)	2138	32AZ60LR56	32AZ60LR14			LR
		Mechanical output Hp	0.99	32AZ60H56	32AZ60H14			Hollow
		Output OHL (lbs.)	2300		-	-		-

Note: Reducers are shipped without a mounting base.
Washdown accessories available in accessories section.

Features and benefits

Specification / How to order / Nomenclature

Selection Procedures / Hp / Service factor

Ratings / Dimensions

Washdown E-Z Kleen®

Washdown Food Safe

Food Safe dimensions

Washdown products

Tigear®-2 E-Z Kleen® reducers with quill input – Size 35

Tigear-2 E-Z Kleen® reducers with quill input - Size 35

Ratio	Output RPM	Rating data				Part number				Shaft position
		1750 Input RPM		56C	140TC	180TC	210TC			
5	350	Mechanical input Hp	15.18		35QZ05L14	35QZ05L18	35QZ05L21		L	
		Thermal input Hp	15.51		35QZ05R14	35QZ05R18	35QZ05R21		R	
		Output torque (lb. in.)	2593	-	35QZ05LR14	35QZ05LR18	35QZ05LR21		LR	
		Mechanical output Hp	14.40		35QZ05H14	35QZ05H18	35QZ05H21		Hollow	
		Output OHL (lbs.)	2120		-	-	-		-	
7.5	233	Mechanical input Hp	12.24		35QZ07L14	35QZ07L18	35QZ07L21		L	
		Thermal input Hp	12.52		35QZ07R14	35QZ07R18	35QZ07R21		R	
		Output torque (lb. in.)	3054	-	35QZ07LR14	35QZ07LR18	35QZ07LR21		LR	
		Mechanical output Hp	11.46		35QZ07H14	35QZ07H18	35QZ07H21		Hollow	
		Output OHL (lbs.)	2430		-	-	-		-	
10	175	Mechanical input Hp	10.00		35QZ10L14	35QZ10L18	35QZ10L21		L	
		Thermal input Hp	10.63		35QZ10R14	35QZ10R18	35QZ10R21		R	
		Output torque (lb. in.)	3310	-	35QZ10LR14	35QZ10LR18	35QZ10LR21		LR	
		Mechanical output Hp	9.19		35QZ10H14	35QZ10H18	35QZ10H21		Hollow	
		Output OHL (lbs.)	2700		-	-	-		-	
15	117	Mechanical input Hp	7.44		35QZ15L14	35QZ15L18			L	
		Thermal input Hp	7.56		35QZ15R14	35QZ15R18			R	
		Output torque (lb. in.)	3599	-	35QZ15LR14	35QZ15LR18			LR	
		Mechanical output Hp	6.66		35QZ15H14	35QZ15H18			Hollow	
		Output OHL (lbs.)	2760		-	-			-	
20	88	Mechanical input Hp	5.79		35QZ20L14	35QZ20L18			L	
		Thermal input Hp	5.97		35QZ20R14	35QZ20R18			R	
		Output torque (lb. in.)	3620	-	35QZ20LR14	35QZ20LR18			LR	
		Mechanical output Hp	5.03		35QZ20H14	35QZ20H18			Hollow	
		Output OHL (lbs.)	2760		-	-			-	
25	70	Mechanical input Hp	4.72		35QZ25L14	35QZ25L18			L	
		Thermal input Hp	5.10		35QZ25R14	35QZ25R18			R	
		Output torque (lb. in.)	3586	-	35QZ25LR14	35QZ25LR18			LR	
		Mechanical output Hp	3.98		35QZ25H14	35QZ25H18			Hollow	
		Output OHL (lbs.)	2760		-	-			-	
30	58	Mechanical input Hp	4.15	35QZ30L56	35QZ30L14	35QZ30L18			L	
		Thermal input Hp	4.43	35QZ30R56	35QZ30R14	35QZ30R18			R	
		Output torque (lb. in.)	3682	35QZ30LR56	35QZ30LR14	35QZ30LR18			LR	
		Mechanical output Hp	3.41	35QZ30H56	35QZ30H14	35QZ30H18			Hollow	
		Output OHL (lbs.)	2760		-	-			-	
40	44	Mechanical input Hp	3.23	35QZ40L56	35QZ40L14	35QZ40L18			L	
		Thermal input Hp	3.54	35QZ40R56	35QZ40R14	35QZ40R18			R	
		Output torque (lb. in.)	3622	35QZ40LR56	35QZ40LR14	35QZ40LR18			LR	
		Mechanical output Hp	2.51	35QZ40H56	35QZ40H14	35QZ40H18			Hollow	
		Output OHL (lbs.)	2760		-	-			-	
50	35	Mechanical input Hp	2.64	35QZ50L56	35QZ50L14				L	
		Thermal input Hp	2.94	35QZ50R56	35QZ50R14				R	
		Output torque (lb. in.)	3485	35QZ50LR56	35QZ50LR14				LR	
		Mechanical output Hp	1.94	35QZ50H56	35QZ50H14				Hollow	
		Output OHL (lbs.)	2760		-	-			-	
60	29	Mechanical input Hp	2.19	35QZ60L56	35QZ60L14				L	
		Thermal input Hp	2.43	35QZ60R56	35QZ60R14				R	
		Output torque (lb. in.)	3194	35QZ60LR56	35QZ60LR14				LR	
		Mechanical output Hp	1.48	35QZ60H56	35QZ60H14				Hollow	
		Output OHL (lbs.)	2760		-	-			-	

Note: Reducers are shipped without a mounting base.
Washdown accessories available in accessories section.

Washdown products

Tigear®-2 E-Z Kleen® reducers with 3-piece coupled input – Size 35

Tigear-2 E-Z Kleen® reducers with 3-piece coupled input - Size 35

Ratio	Output RPM	Rating data		Part number				Shaft position
		1750 Input RPM		56C	140TC	180TC	210TC	
5	350	Mechanical input Hp	15.18		35AZ05L14	35AZ05L18	35AZ05L21	L
		Thermal input Hp	15.51		35AZ05R14	35AZ05R18	35AZ05R21	R
		Output torque (lb. in.)	2593	-	35AZ05LR14	35AZ05LR18	35AZ05LR21	LR
		Mechanical output Hp	14.40		35AZ05H14	35AZ05H18	35AZ05H21	Hollow
		Output OHL (lbs.)	2120		-	-	-	-
7.5	233	Mechanical input Hp	12.24		35AZ07L14	35AZ07L18	35AZ07L21	L
		Thermal input Hp	12.52		35AZ07R14	35AZ07R18	35AZ07R21	R
		Output torque (lb. in.)	3054	-	35AZ07LR14	35AZ07LR18	35AZ07LR21	LR
		Mechanical output Hp	11.46		35AZ07H14	35AZ07H18	35AZ07H21	Hollow
		Output OHL (lbs.)	2430		-	-	-	-
10	175	Mechanical input Hp	10.00		35AZ10L14	35AZ10L18	35AZ10L21	L
		Thermal input Hp	10.63		35AZ10R14	35AZ10R18	35AZ10R21	R
		Output torque (lb. in.)	3310	-	35AZ10LR14	35AZ10LR18	35AZ10LR21	LR
		Mechanical output Hp	9.19		35AZ10H14	35AZ10H18	35AZ10H21	Hollow
		Output OHL (lbs.)	2700		-	-	-	-
15	117	Mechanical input Hp	7.44		35AZ15L14	35AZ15L18		L
		Thermal input Hp	7.56		35AZ15R14	35AZ15R18		R
		Output torque (lb. in.)	3599	-	35AZ15LR14	35AZ15LR18		LR
		Mechanical output Hp	6.66		35AZ15H14	35AZ15H18		Hollow
		Output OHL (lbs.)	2760		-	-		-
20	88	Mechanical input Hp	5.79		35AZ20L14	35AZ20L18		L
		Thermal input Hp	5.97		35AZ20R14	35AZ20R18		R
		Output torque (lb. in.)	3620	-	35AZ20LR14	35AZ20LR18		LR
		Mechanical output Hp	5.03		35AZ20H14	35AZ20H18		Hollow
		Output OHL (lbs.)	2760		-	-		-
25	70	Mechanical input Hp	4.72		35AZ25L14	35AZ25L18		L
		Thermal input Hp	5.10		35AZ25R14	35AZ25R18		R
		Output torque (lb. in.)	3586	-	35AZ25LR14	35AZ25LR18		LR
		Mechanical output Hp	3.98		35AZ25H14	35AZ25H18		Hollow
		Output OHL (lbs.)	2760		-	-		-
30	58	Mechanical input Hp	4.15	35AZ30L56	35AZ30L14	35AZ30L18		L
		Thermal input Hp	4.43	35AZ30R56	35AZ30R14	35AZ30R18		R
		Output torque (lb. in.)	3682	35AZ30LR56	35AZ30LR14	35AZ30LR18		LR
		Mechanical output Hp	3.41	35AZ30H56	35AZ30H14	35AZ30H18		Hollow
		Output OHL (lbs.)	2760	-	-	-		-
40	44	Mechanical input Hp	3.23	35AZ40L56	35AZ40L14	35AZ40L18		L
		Thermal input Hp	3.54	35AZ40R56	35AZ40R14	35AZ40R18		R
		Output torque (lb. in.)	3622	35AZ40LR56	35AZ40LR14	35AZ40LR18		LR
		Mechanical output Hp	2.51	35AZ40H56	35AZ40H14	35AZ40H18		Hollow
		Output OHL (lbs.)	2760	-	-	-		-
50	35	Mechanical input Hp	2.64	35AZ50L56	35AZ50L14			L
		Thermal input Hp	2.94	35AZ50R56	35AZ50R14			R
		Output torque (lb. in.)	3485	35AZ50LR56	35AZ50LR14			LR
		Mechanical output Hp	1.94	35AZ50H56	35AZ50H14			Hollow
		Output OHL (lbs.)	2760	-	-			-
60	29	Mechanical input Hp	2.19	35AZ60L56	35AZ60L14			L
		Thermal input Hp	2.43	35AZ60R56	35AZ60R14			R
		Output torque (lb. in.)	3194	35AZ60LR56	35AZ60LR14			LR
		Mechanical output Hp	1.48	35AZ60H56	35AZ60H14			Hollow
		Output OHL (lbs.)	2760	-	-			-

Note: Reducers are shipped without a mounting base.
Washdown accessories available in accessories section..

Features and benefits

Specification / How to order / Nomenclature

Selection Procedures / Hp / Service factor

Ratings / Dimensions

Washdown E-Z Kleen®

Washdown Food Safe

Food Safe dimensions

Washdown products

Tigear®-2 Food Safe speed reducers

The speed reducer shall be a single reduction worm gear reducer incorporating two input configurations - a quill style for direct attachment of electric motors and a motor adapter style input that employs a three piece coupling to connect electric motors to the reducer. These input configurations shall be available in both solid and hollow output shaft designs. The reducer shall be assembled and quality tested in the United States of America.

Gearing

Worm gear geometry shall be highly optimized for rating and efficiency and precision manufactured with a single enveloping design.

The gear set shall consist of a hardened steel worm shaft. The worm gear shall be a fine grain, copper-tin bronze - specially alloyed for superior durability and wear resistance. All units shall have the worm gear set properly centered during assembly to produce an optimum contact pattern.

Gear design and power transmission ratings conform to globally accepted rating standards.

Castings

The gear case and bearing housing shall be manufactured from 300 series stainless steel. The top of the reducer housing shall be rounded with sloping surfaces to prevent liquids from pooling. The surface texture of the casting shall not exceed 125 micro-inches. The optional bolt-on base, motor flange and other accessories shall also be manufactured from 300 series stainless steel.

The reducer shall be sealed with no direct passage from the oil sump to the ambient atmosphere - (a closed system). This ventless design ensures no contamination of lubricant from external environment.

Lubrication

The standard lubrication shall be a synthetic type that is suitable for USDA Class H1 environments. The manufacturer must state in writing that the lubrication shall require no periodic changing. Alternate synthetic lubricants made from the same base material as the standard shall be available to accommodate extreme temperature applications.

All reducers shall be factory filled by the manufacturer with the proper volume of H1 synthetic lubricant so that the reducer can be applied in any approved mounting position without modifications to the reducer.

Bearings

Output shafts shall incorporate tapered roller bearings shimmed for proper running clearances and be designed for maximizing over hung load rating.

Washdown products

Tigear®-2 Food Safe speed reducers

Sealing

Oil seals shall be made of premium materials. Seals made using Nitrile or Fluoroelastomer materials are not acceptable. Output seals shall be of two-piece design and capable of withstanding 1,450 PSI liquid sprays without allowing liquid entry into the gear reducer.

Oil seals shall have a minimum temperature range of -40° to 300°F (-40° to 149°C).

All sealing-joints, except fill plug, shall be o-rings. Reducers shall incorporate no silicone rubber sealant of any kind.

Hardware

All fasteners shall be non-cavity stainless steel and have locking provisions. Motor mounting bolts and input/output keys shall be provided. No plastic plugs or fasteners shall be permitted.

Nameplate information shall be laser marked directly onto the reducer gearcase housing. Removable nameplates shall not be permitted.

External conditions

When properly service factored to account for the thermal limitations of the reducer, the standard construction shall be suitable for use in ambient temperatures from -20°F to +120°F.

The thermal ratings listed on ratings pages are based on the gear unit continuously operating in an ambient temperature of 75°F. For the ambient condition above 75°F, the derating factor needs to be applied to the thermal rating, or contact Dodge application engineering.

Severe washdown operating environments shall be addressed with a stainless steel gear case incorporating stainless steel hardware and stainless steel output shaft.

Reducer must be tested and certified to meet IPX9 for protection from high pressure washdowns.

Washdown products

Tigear®-2 Food Safe reducers with quill input – Size 17

Tigear-2 Food Safe reducers with quill input - Size 17

Ratio	Output RPM	Rating data		Part number		Shaft position
		1750 Input RPM	56C	140TC		
5	350	Mechanical input Hp	2.59	SS17Q05L56	SS17Q05L14	L
		Thermal input Hp	3.97	SS17Q05R56	SS17Q05R14	R
		Output torque (lb. in.)	430	SS17Q05LR56	SS17Q05LR14	LR
		Mechanical output Hp	2.39	SS17Q05H56	SS17Q05H14	Hollow
		Output OHL (lbs.)	1050	-	-	-
7.5	233	Mechanical input Hp	2.06	SS17Q07L56	SS17Q07L14	L
		Thermal input Hp	3.42	SS17Q07R56	SS17Q07R14	R
		Output torque (lb. in.)	500	SS17Q07LR56	SS17Q07LR14	LR
		Mechanical output Hp	1.88	SS17Q07H56	SS17Q07H14	Hollow
		Output OHL (lbs.)	1190	-	-	-
10	175	Mechanical input Hp	1.67	SS17Q10L56	SS17Q10L14	L
		Thermal input Hp	2.76	SS17Q10R56	SS17Q10R14	R
		Output torque (lb. in.)	534	SS17Q10LR56	SS17Q10LR14	LR
		Mechanical output Hp	1.48	SS17Q10H56	SS17Q10H14	Hollow
		Output OHL (lbs.)	1190	-	-	-
15	117	Mechanical input Hp	1.27	SS17Q15L56	SS17Q15L14	L
		Thermal input Hp	2.01	SS17Q15R56	SS17Q15R14	R
		Output torque (lb. in.)	583	SS17Q15LR56	SS17Q15LR14	LR
		Mechanical output Hp	1.08	SS17Q15H56	SS17Q15H14	Hollow
		Output OHL (lbs.)	1190	-	-	-
20	88	Mechanical input Hp	1.03	SS17Q20L56	SS17Q20L14	L
		Thermal input Hp	1.58	SS17Q20R56	SS17Q20R14	R
		Output torque (lb. in.)	602	SS17Q20LR56	SS17Q20LR14	LR
		Mechanical output Hp	0.84	SS17Q20H56	SS17Q20H14	Hollow
		Output OHL (lbs.)	1190	-	-	-
25	70	Mechanical input Hp	0.88	SS17Q25L56	-	L
		Thermal input Hp	1.28	SS17Q25R56	-	R
		Output torque (lb. in.)	609	SS17Q25LR56	-	LR
		Mechanical output Hp	0.68	SS17Q25H56	-	Hollow
		Output OHL (lbs.)	1190	-	-	-
30	58	Mechanical input Hp	0.76	SS17Q30L56	-	L
		Thermal input Hp	1.20	SS17Q30R56	-	R
		Output torque (lb. in.)	615	SS17Q30LR56	-	LR
		Mechanical output Hp	0.57	SS17Q30H56	-	Hollow
		Output OHL (lbs.)	1190	-	-	-
40	44	Mechanical input Hp	0.60	SS17Q40L56	-	L
		Thermal input Hp	1.09	SS17Q40R56	-	R
		Output torque (lb. in.)	627	SS17Q40LR56	-	LR
		Mechanical output Hp	0.43	SS17Q40H56	-	Hollow
		Output OHL (lbs.)	1190	-	-	-
50	35	Mechanical input Hp	0.51	SS17Q50L56	-	L
		Thermal input Hp	0.90	SS17Q50R56	-	R
		Output torque (lb. in.)	608	SS17Q50LR56	-	LR
		Mechanical output Hp	0.34	SS17Q50H56	-	Hollow
		Output OHL (lbs.)	1190	-	-	-
60	29	Mechanical input Hp	0.43	SS17Q60L56	-	L
		Thermal input Hp	0.80	SS17Q60R56	-	R
		Output torque (lb. in.)	576	SS17Q60LR56	-	LR
		Mechanical output Hp	0.27	SS17Q60H56	-	Hollow
		Output OHL (lbs.)	1190	-	-	-

Note: Washdown accessories available in accessories section.

Washdown products

Tigear®-2 Food Safe reducers with 3-piece coupled input – Size 17

Tigear-2 Food Safe reducers with 3-piece coupled input - Size 17

Ratio	Output RPM	Rating data		Part number		Shaft position
		1750 Input RPM	56C	140TC		
5	350	Mechanical input Hp	2.59	SS17A05L56	SS17A05L14	L
		Thermal input Hp	3.97	SS17A05R56	SS17A05R14	R
		Output torque (lb. in.)	430	SS17A05LR56	SS17A05LR14	LR
		Mechanical output Hp	2.39	SS17A05H56	SS17A05H14	Hollow
		Output OHL (lbs.)	1050	-	-	-
7.5	233	Mechanical input Hp	2.06	SS17A07L56	SS17A07L14	L
		Thermal input Hp	3.42	SS17A07R56	SS17A07R14	R
		Output torque (lb. in.)	500	SS17A07LR56	SS17A07LR14	LR
		Mechanical output Hp	1.88	SS17A07H56	SS17A07H14	Hollow
		Output OHL (lbs.)	1190	-	-	-
10	175	Mechanical input Hp	1.67	SS17A10L56	SS17A10L14	L
		Thermal input Hp	2.76	SS17A10R56	SS17A10R14	R
		Output torque (lb. in.)	534	SS17A10LR56	SS17A10LR14	LR
		Mechanical output Hp	1.48	SS17A10H56	SS17A10H14	Hollow
		Output OHL (lbs.)	1190	-	-	-
15	117	Mechanical input Hp	1.27	SS17A15L56	SS17A15L14	L
		Thermal input Hp	2.01	SS17A15R56	SS17A15R14	R
		Output torque (lb. in.)	583	SS17A15LR56	SS17A15LR14	LR
		Mechanical output Hp	1.08	SS17A15H56	SS17A15H14	Hollow
		Output OHL (lbs.)	1190	-	-	-
20	88	Mechanical input Hp	1.03	SS17A20L56	SS17A20L14	L
		Thermal input Hp	1.58	SS17A20R56	SS17A20R14	R
		Output torque (lb. in.)	602	SS17A20LR56	SS17A20LR14	LR
		Mechanical output Hp	0.84	SS17A20H56	SS17A20H14	Hollow
		Output OHL (lbs.)	1190	-	-	-
25	70	Mechanical input Hp	0.88	SS17A25L56	-	L
		Thermal input Hp	1.28	SS17A25R56	-	R
		Output torque (lb. in.)	609	SS17A25LR56	-	LR
		Mechanical output Hp	0.68	SS17A25H56	-	Hollow
		Output OHL (lbs.)	1190	-	-	-
30	58	Mechanical input Hp	0.76	SS17A30L56	-	L
		Thermal input Hp	1.20	SS17A30R56	-	R
		Output torque (lb. in.)	615	SS17A30LR56	-	LR
		Mechanical output Hp	0.57	SS17A30H56	-	Hollow
		Output OHL (lbs.)	1190	-	-	-
40	44	Mechanical input Hp	0.60	SS17A40L56	-	L
		Thermal input Hp	1.09	SS17A40R56	-	R
		Output torque (lb. in.)	627	SS17A40LR56	-	LR
		Mechanical output Hp	0.43	SS17A40H56	-	Hollow
		Output OHL (lbs.)	1190	-	-	-
50	35	Mechanical input Hp	0.51	SS17A50L56	-	L
		Thermal input Hp	0.90	SS17A50R56	-	R
		Output torque (lb. in.)	608	SS17A50LR56	-	LR
		Mechanical output Hp	0.34	SS17A50H56	-	Hollow
		Output OHL (lbs.)	1190	-	-	-
60	29	Mechanical input Hp	0.43	SS17A60L56	-	L
		Thermal input Hp	0.80	SS17A60R56	-	R
		Output torque (lb. in.)	576	SS17A60LR56	-	LR
		Mechanical output Hp	0.27	SS17A60H56	-	Hollow
		Output OHL (lbs.)	1190	-	-	-

Note: Washdown accessories available in accessories section.

Features and benefits

Specification / How to order / Nomenclature

Selection Procedures / Hp / Service factor

Ratings / Dimensions

Washdown E-Z Kleen®

Washdown Food Safe

Food Safe dimensions

Washdown products

Tigear®-2 Food Safe reducers with quill input – Size 20

Tigear-2 Food Safe reducers with quill input - Size 20

Ratio	Output RPM	Rating data		Part number		Shaft position
		1750 Input RPM	56C	140TC		
5	350	Mechanical input Hp	3.47	SS20Q05L56	SS20Q05L14	L
		Thermal input Hp	4.90	SS20Q05R56	SS20Q05R14	R
		Output torque (lb.in.)	581	SS20Q05LR56	SS20Q05LR14	LR
		Mechanical output Hp	3.23	SS20Q05H56	SS20Q05H14	Hollow
		Output OHL (lbs.)	1380	SS20Q05HA56	SS20Q05HA14	Hollow alt.
7.5	233	Mechanical input Hp	2.78	SS20Q07L56	SS20Q07L14	L
		Thermal input Hp	4.15	SS20Q07R56	SS20Q07R14	R
		Output torque (lb.in.)	678	SS20Q07LR56	SS20Q07LR14	LR
		Mechanical output Hp	2.54	SS20Q07H56	SS20Q07H14	Hollow
		Output OHL (lbs.)	1560	SS20Q07HA56	SS20Q07HA14	Hollow alt.
10	175	Mechanical input Hp	2.25	SS20Q10L56	SS20Q10L14	L
		Thermal input Hp	3.25	SS20Q10R56	SS20Q10R14	R
		Output torque (lb.in.)	725	SS20Q10LR56	SS20Q10LR14	LR
		Mechanical output Hp	2.01	SS20Q10H56	SS20Q10H14	Hollow
		Output OHL (lbs.)	1560	SS20Q10HA56	SS20Q10HA14	Hollow alt.
12.7	138	Mechanical input Hp	1.90	SS20Q12L56	SS20Q12L14	L
		Thermal input Hp	2.83	SS20Q12R56	SS20Q12R14	R
		Output torque (lb.in.)	770	SS20Q12LR56	SS20Q12LR14	LR
		Mechanical output Hp	1.69	SS20Q12H56	SS20Q12H14	Hollow
		Output OHL (lbs.)	1560	SS20Q12HA56	SS20Q12HA14	Hollow alt.
15	117	Mechanical input Hp	1.69	SS20Q15L56	SS20Q15L14	L
		Thermal input Hp	2.52	SS20Q15R56	SS20Q15R14	R
		Output torque (lb.in.)	790	SS20Q15LR56	SS20Q15LR14	LR
		Mechanical output Hp	1.46	SS20Q15H56	SS20Q15H14	Hollow
		Output OHL (lbs.)	1560	SS20Q15HA56	SS20Q15HA14	Hollow alt.
18	97	Mechanical input Hp	1.46	SS20Q18L56	SS20Q18L14	L
		Thermal input Hp	2.12	SS20Q18R56	SS20Q18R14	R
		Output torque (lb.in.)	795	SS20Q18LR56	SS20Q18LR14	LR
		Mechanical output Hp	1.23	SS20Q18H56	SS20Q18H14	Hollow
		Output OHL (lbs.)	1560	SS20Q18HA56	SS20Q18HA14	Hollow alt.
20	88	Mechanical input Hp	1.34	SS20Q20L56	SS20Q20L14	L
		Thermal input Hp	1.99	SS20Q20R56	SS20Q20R14	R
		Output torque (lb.in.)	796	SS20Q20LR56	SS20Q20LR14	LR
		Mechanical output Hp	1.11	SS20Q20H56	SS20Q20H14	Hollow
		Output OHL (lbs.)	1560	SS20Q20HA56	SS20Q20HA14	Hollow alt.
25	70	Mechanical input Hp	1.11	SS20Q25L56	SS20Q25L14	L
		Thermal input Hp	1.59	SS20Q25R56	SS20Q25R14	R
		Output torque (lb.in.)	788	SS20Q25LR56	SS20Q25LR14	LR
		Mechanical output Hp	0.88	SS20Q25H56	SS20Q25H14	Hollow
		Output OHL (lbs.)	1560	SS20Q25HA56	SS20Q25HA14	Hollow alt.
30	58	Mechanical input Hp	0.96	SS20Q30L56		L
		Thermal input Hp	1.49	SS20Q30R56		R
		Output torque (lb.in.)	802	SS20Q30LR56	-	LR
		Mechanical output Hp	0.74	SS20Q30H56		Hollow
		Output OHL (lbs.)	1560	SS20Q30HA56		Hollow alt.
40	44	Mechanical input Hp	0.76	SS20Q40L56		L
		Thermal input Hp	1.29	SS20Q40R56		R
		Output torque (lb.in.)	801	SS20Q40LR56	-	LR
		Mechanical output Hp	0.56	SS20Q40H56		Hollow
		Output OHL (lbs.)	1560	SS20Q40HA56		Hollow alt.
50	35	Mechanical input Hp	0.64	SS20Q50L56		L
		Thermal input Hp	1.09	SS20Q50R56		R
		Output torque (lb.in.)	787	SS20Q50LR56	-	LR
		Mechanical output Hp	0.44	SS20Q50H56		Hollow
		Output OHL (lbs.)	1560	SS20Q50HA56		Hollow alt.
60	29	Mechanical input Hp	0.56	SS20Q60L56		L
		Thermal input Hp	0.96	SS20Q60R56		R
		Output torque (lb.in.)	767	SS20Q60LR56	-	LR
		Mechanical output Hp	0.36	SS20Q60H56		Hollow
		Output OHL (lbs.)	1560	SS20Q60HA56		Hollow alt.

Note: Washdown accessories available in accessories section.

Features and benefits

Specification / How to order / Nomenclature

Selection procedures / Hp / Service factor

Ratings / Dimensions

Washdown E-Z Klean®

Washdown Food Safe

Food Safe dimensions

Washdown products

Tigear®-2 Food Safe reducers with 3-piece coupled input – Size 20

Tigear-2 Food Safe reducers with 3-piece coupled input - Size 20

Ratio	Output RPM	Rating data		Part number		Shaft position
		1750 Input RPM	56C	140TC		
5	350	Mechanical input Hp	2.59	SS20A05L56	SS20A05L14	L
		Thermal input Hp	3.97	SS20A05R56	SS20A05R14	R
		Output torque (lb. in.)	430	SS20A05LR56	SS20A05LR14	LR
		Mechanical output Hp	2.39	SS20A05H56	SS20A05H14	Hollow
		Output OHL (lbs.)	1050	SS20A05HA56	SS20A05HA14	Hollow alt.
7.5	233	Mechanical input Hp	2.06	SS20A07L56	SS20A07L14	L
		Thermal input Hp	3.42	SS20A07R56	SS20A07R14	R
		Output torque (lb. in.)	500	SS20A07LR56	SS20A07LR14	LR
		Mechanical output Hp	1.88	SS20A07H56	SS20A07H14	Hollow
		Output OHL (lbs.)	1190	SS20A07HA56	SS20A07HA14	Hollow alt.
10	175	Mechanical input Hp	1.67	SS20A10L56	SS20A10L14	L
		Thermal input Hp	2.76	SS20A10R56	SS20A10R14	R
		Output torque (lb. in.)	534	SS20A10LR56	SS20A10LR14	LR
		Mechanical output Hp	1.48	SS20A10H56	SS20A10H14	Hollow
		Output OHL (lbs.)	1190	SS20A10HA56	SS20A10HA14	Hollow alt.
15	117	Mechanical input Hp	1.27	SS20A15L56	SS20A15L14	L
		Thermal input Hp	2.01	SS20A15R56	SS20A15R14	R
		Output torque (lb. in.)	583	SS20A15LR56	SS20A15LR14	LR
		Mechanical output Hp	1.08	SS20A15H56	SS20A15H14	Hollow
		Output OHL (lbs.)	1190	SS20A15HA56	SS20A15HA14	Hollow alt.
20	88	Mechanical input Hp	1.03	SS20A20L56	SS20A20L14	L
		Thermal input Hp	1.58	SS20A20R56	SS20A20R14	R
		Output torque (lb. in.)	602	SS20A20LR56	SS20A20LR14	LR
		Mechanical output Hp	0.84	SS20A20H56	SS20A20H14	Hollow
		Output OHL (lbs.)	1190	SS20A20HA56	SS20A20HA14	Hollow alt.
25	70	Mechanical input Hp	0.88	SS20A25L56	SS20A25L14	L
		Thermal input Hp	1.28	SS20A25R56	SS20A25R14	R
		Output torque (lb. in.)	609	SS20A25LR56	SS20A25LR14	LR
		Mechanical output Hp	0.68	SS20A25H56	SS20A25H14	Hollow
		Output OHL (lbs.)	1190	SS20A25HA56	SS20A25HA14	Hollow alt.
30	58	Mechanical input Hp	0.76	SS20A30L56	-	L
		Thermal input Hp	1.20	SS20A30R56	-	R
		Output torque (lb. in.)	615	SS20A30LR56	-	LR
		Mechanical output Hp	0.57	SS20A30H56	-	Hollow
		Output OHL (lbs.)	1190	SS20A30HA56	-	Hollow alt.
40	44	Mechanical input Hp	0.60	SS20A40L56	-	L
		Thermal input Hp	1.09	SS20A40R56	-	R
		Output torque (lb. in.)	627	SS20A40LR56	-	LR
		Mechanical output Hp	0.43	SS20A40H56	-	Hollow
		Output OHL (lbs.)	1190	SS20A40HA56	-	Hollow alt.
50	35	Mechanical input Hp	0.51	SS20A50L56	-	L
		Thermal input Hp	0.90	SS20A50R56	-	R
		Output torque (lb. in.)	608	SS20A50LR56	-	LR
		Mechanical output Hp	0.34	SS20A50H56	-	Hollow
		Output OHL (lbs.)	1190	SS20A50HA56	-	Hollow alt.
60	29	Mechanical input Hp	0.43	SS20A60L56	-	L
		Thermal input Hp	0.80	SS20A60R56	-	R
		Output torque (lb. in.)	576	SS20A60LR56	-	LR
		Mechanical output Hp	0.27	SS20A60H56	-	Hollow
		Output OHL (lbs.)	1190	SS20A60HA56	-	Hollow alt.

Note: Washdown accessories available in accessories section.

Features and benefits

Specification / How to order / Nomenclature

Selection Procedures / Hp / Service factor

Ratings / Dimensions

Washdown E-Z Kleen®

Washdown Food Safe

Food Safe dimensions

Washdown products

Tigear®-2 Food Safe reducers with quill input – Size 23

Tigear-2 Food Safe reducers with quill input - Size 23

Ratio	Output RPM	Rating data			Part number			Shaft position
		1750 Input RPM	56C	140TC	180TC			
5	350	Mechanical input Hp	5.25	SS23Q05L56	SS23Q05L14	SS23Q05L18	L	
		Thermal input Hp	6.61	SS23Q05R56	SS23Q05R14	SS23Q05R18	R	
		Output torque (lb. in.)	881	SS23Q05LR56	SS23Q05LR14	SS23Q05LR18	LR	
		Mechanical output Hp	4.89	SS23Q05H56	SS23Q05H14	SS23Q05H18	Hollow	
		Output OHL (lbs.)	1330	SS23Q05HA56	SS23Q05HA14	SS23Q05HA18	Hollow alt.	
7.5	233	Mechanical input Hp	4.18	SS23Q07L56	SS23Q07L14	SS23Q07L18	L	
		Thermal input Hp	5.64	SS23Q07R56	SS23Q07R14	SS23Q07R18	R	
		Output torque (lb. in.)	1026	SS23Q07LR56	SS23Q07LR14	SS23Q07LR18	LR	
		Mechanical output Hp	3.85	SS23Q07H56	SS23Q07H14	SS23Q07H18	Hollow	
		Output OHL (lbs.)	1520	SS23Q07HA56	SS23Q07HA14	SS23Q07HA18	Hollow alt.	
10	175	Mechanical input Hp	3.42	SS23Q10L56	SS23Q10L14	SS23Q10L18	L	
		Thermal input Hp	4.40	SS23Q10R56	SS23Q10R14	SS23Q10R18	R	
		Output torque (lb. in.)	1106	SS23Q10LR56	SS23Q10LR14	SS23Q10LR18	LR	
		Mechanical output Hp	3.07	SS23Q10H56	SS23Q10H14	SS23Q10H18	Hollow	
		Output OHL (lbs.)	1610	SS23Q10HA56	SS23Q10HA14	SS23Q10HA18	Hollow alt.	
12.7	138	Mechanical input Hp	2.91	SS23Q12L56	SS23Q12L14	SS23Q12L18	L	
		Thermal input Hp	3.78	SS23Q12R56	SS23Q12R14	SS23Q12R18	R	
		Output torque (lb. in.)	1170	SS23Q12LR56	SS23Q12LR14	SS23Q12LR18	LR	
		Mechanical output Hp	2.56	SS23Q12H56	SS23Q12H14	SS23Q12H18	Hollow	
		Output OHL (lbs.)	1610	SS23Q12HA56	SS23Q12HA14	SS23Q12HA18	Hollow alt.	
15	117	Mechanical input Hp	2.57	SS23Q15L56	SS23Q15L14		L	
		Thermal input Hp	3.30	SS23Q15R56	SS23Q15R14		R	
		Output torque (lb. in.)	1199	SS23Q15LR56	SS23Q15LR14	-	LR	
		Mechanical output Hp	2.22	SS23Q15H56	SS23Q15H14		Hollow	
		Output OHL (lbs.)	1610	SS23Q15HA56	SS23Q15HA14		Hollow alt.	
20	88	Mechanical input Hp	2.00	SS23Q20L56	SS23Q20L14		L	
		Thermal input Hp	2.62	SS23Q20R56	SS23Q20R14		R	
		Output torque (lb. in.)	1178	SS23Q20LR56	SS23Q20LR14	-	LR	
		Mechanical output Hp	1.64	SS23Q20H56	SS23Q20H14		Hollow	
		Output OHL (lbs.)	1610	SS23Q20HA56	SS23Q20HA14		Hollow alt.	
25	70	Mechanical input Hp	1.65	SS23Q25L56	SS23Q25L14		L	
		Thermal input Hp	2.16	SS23Q25R56	SS23Q25R14		R	
		Output torque (lb. in.)	1184	SS23Q25LR56	SS23Q25LR14	-	LR	
		Mechanical output Hp	1.32	SS23Q25H56	SS23Q25H14		Hollow	
		Output OHL (lbs.)	1610	SS23Q25HA56	SS23Q25HA14		Hollow alt.	
30	58	Mechanical input Hp	1.42	SS23Q30L56	SS23Q30L14		L	
		Thermal input Hp	2.06	SS23Q30R56	SS23Q30R14		R	
		Output torque (lb. in.)	1201	SS23Q30LR56	SS23Q30LR14	-	LR	
		Mechanical output Hp	1.11	SS23Q30H56	SS23Q30H14		Hollow	
		Output OHL (lbs.)	1610	SS23Q30HA56	SS23Q30HA14		Hollow alt.	
40	44	Mechanical input Hp	1.11	SS23Q40L56	SS23Q40L14		L	
		Thermal input Hp	1.73	SS23Q40R56	SS23Q40R14		R	
		Output torque (lb. in.)	1193	SS23Q40LR56	SS23Q40LR14	-	LR	
		Mechanical output Hp	0.83	SS23Q40H56	SS23Q40H14		Hollow	
		Output OHL (lbs.)	1610	SS23Q40HA56	SS23Q40HA14		Hollow alt.	
50	35	Mechanical input Hp	0.95	SS23Q50L56			L	
		Thermal input Hp	1.42	SS23Q50R56			R	
		Output torque (lb. in.)	1182	SS23Q50LR56	-	-	LR	
		Mechanical output Hp	0.66	SS23Q50H56			Hollow	
		Output OHL (lbs.)	1610	SS23Q50HA56			Hollow alt.	
60	29	Mechanical input Hp	0.80	SS23Q60L56			L	
		Thermal input Hp	1.24	SS23Q60R56			R	
		Output torque (lb. in.)	1111	SS23Q60LR56	-	-	LR	
		Mechanical output Hp	0.51	SS23Q60H56			Hollow	
		Output OHL (lbs.)	1610	SS23Q60HA56			Hollow alt.	

Note: Washdown accessories available in accessories section.
 The output bore for hollow reducers listed above is 1-7/16". We also offer a 1-1/4" output bore.
 To order, add "SD104" to the end of the part number. Example: SS23Q30H56SD104

Features and benefits

Specification / How to order / Nomenclature

Selection procedures / Hp / Service factor

Ratings / Dimensions

Washdown E-Z Klean®

Washdown Food Safe

Food Safe dimensions

Washdown products

Tigear®-2 Food Safe reducers with 3-piece coupled input – Size 23

Tigear-2 Food Safe reducers with 3-piece coupled input - Size 23

Ratio	Output RPM	Rating data			Part number			Shaft position
		1750 Input RPM	56C	140TC	180TC			
5	350	Mechanical input Hp	5.25	SS23A05L56	SS23A05L14	SS23A05L18	L	
		Thermal input Hp	6.61	SS23A05R56	SS23A05R14	SS23A05R18	R	
		Output torque (lb. in.)	881	SS23A05LR56	SS23A05LR14	SS23A05LR18	LR	
		Mechanical output Hp	4.89	SS23A05H56	SS23A05H14	SS23A05H18	Hollow	
		Output OHL (lbs.)	1330	SS23A05HA56	SS23A05HA14	SS23A05HA18	Hollow alt.	
7.5	233	Mechanical input Hp	4.18	SS23A07L56	SS23A07L14	SS23A07L18	L	
		Thermal input Hp	5.64	SS23A07R56	SS23A07R14	SS23A07R18	R	
		Output torque (lb. in.)	1026	SS23A07LR56	SS23A07LR14	SS23A07LR18	LR	
		Mechanical output Hp	3.85	SS23A07H56	SS23A07H14	SS23A07H18	Hollow	
		Output OHL (lbs.)	1520	SS23A07HA56	SS23A07HA14	SS23A07HA18	Hollow alt.	
10	175	Mechanical input Hp	3.42	SS23A10L56	SS23A10L14	SS23A10L18	L	
		Thermal input Hp	4.40	SS23A10R56	SS23A10R14	SS23A10R18	R	
		Output torque (lb. in.)	1106	SS23A10LR56	SS23A10LR14	SS23A10LR18	LR	
		Mechanical output Hp	3.07	SS23A10H56	SS23A10H14	SS23A10H18	Hollow	
		Output OHL (lbs.)	1610	SS23A10HA56	SS23A10HA14	SS23A10HA18	Hollow alt.	
12.7	138	Mechanical input Hp	2.91	SS23A12L56	SS23A12L14	SS23A12L18	L	
		Thermal input Hp	3.78	SS23A12R56	SS23A12R14	SS23A12R18	R	
		Output torque (lb. in.)	1170	SS23A12LR56	SS23A12LR14	SS23A12LR18	LR	
		Mechanical output Hp	2.56	SS23A12H56	SS23A12H14	SS23A12H18	Hollow	
		Output OHL (lbs.)	1610	SS23A12HA56	SS23A12HA14	SS23A12HA18	Hollow alt.	
15	117	Mechanical input Hp	2.57	SS23A15L56	SS23A15L14		L	
		Thermal input Hp	3.30	SS23A15R56	SS23A15R14		R	
		Output torque (lb. in.)	1199	SS23A15LR56	SS23A15LR14	-	LR	
		Mechanical output Hp	2.22	SS23A15H56	SS23A15H14		Hollow	
		Output OHL (lbs.)	1610	SS23A15HA56	SS23A15HA14		Hollow alt.	
20	88	Mechanical input Hp	2.00	SS23A20L56	SS23A20L14		L	
		Thermal input Hp	2.62	SS23A20R56	SS23A20R14		R	
		Output torque (lb. in.)	1178	SS23A20LR56	SS23A20LR14	-	LR	
		Mechanical output Hp	1.64	SS23A20H56	SS23A20H14		Hollow	
		Output OHL (lbs.)	1610	SS23A20HA56	SS23A20HA14		Hollow alt.	
25	70	Mechanical input Hp	1.65	SS23A25L56	SS23A25L14		L	
		Thermal input Hp	2.16	SS23A25R56	SS23A25R14		R	
		Output torque (lb. in.)	1184	SS23A25LR56	SS23A25LR14	-	LR	
		Mechanical output Hp	1.32	SS23A25H56	SS23A25H14		Hollow	
		Output OHL (lbs.)	1610	SS23A25HA56	SS23A25HA14		Hollow alt.	
30	58	Mechanical input Hp	1.42	SS23A30L56	SS23A30L14		L	
		Thermal input Hp	2.06	SS23A30R56	SS23A30R14		R	
		Output torque (lb. in.)	1201	SS23A30LR56	SS23A30LR14	-	LR	
		Mechanical output Hp	1.11	SS23A30H56	SS23A30H14		Hollow	
		Output OHL (lbs.)	1610	SS23A30HA56	SS23A30HA14		Hollow alt.	
40	44	Mechanical input Hp	1.11	SS23A40L56	SS23A40L14		L	
		Thermal input Hp	1.73	SS23A40R56	SS23A40R14		R	
		Output torque (lb. in.)	1193	SS23A40LR56	SS23A40LR14	-	LR	
		Mechanical output Hp	0.83	SS23A40H56	SS23A40H14		Hollow	
		Output OHL (lbs.)	1610	SS23A40HA56	SS23A40HA14		Hollow alt.	
50	35	Mechanical input Hp	0.95	SS23A50L56			L	
		Thermal input Hp	1.42	SS23A50R56			R	
		Output torque (lb. in.)	1182	SS23A50LR56	-	-	LR	
		Mechanical output Hp	0.66	SS23A50H56			Hollow	
		Output OHL (lbs.)	1610	SS23A50HA56			Hollow alt.	

Note: Washdown accessories available in accessories section.
 The output bore for hollow reducers listed above is 1-7/16". We also offer a 1-1/4" output bore.
 To order, add "SD104" to the end of the part number. Example: SS23A30H56SD104

Features and benefits

Specification / How to order / Nomenclature

Selection Procedures / Hp / Service factor

Ratings / Dimensions

Washdown E-Z Kleen®

Washdown Food Safe

Food Safe dimensions

Washdown products

Tigear®-2 Food Safe reducers with quill input – Size 26

Tigear-2 Food Safe reducers with quill input - Size 26

Ratio	Output RPM	Rating data			Part number			Shaft position
		1750 Input RPM			56C	140TC	180TC	
5	350	Mechanical input Hp	7.37		SS26Q05L14	SS26Q05L18	L	
		Thermal input Hp	8.79		SS26Q05R14	SS26Q05R18	R	
		Output torque (lb. in.)	1247	-	SS26Q05LR14	SS26Q05LR18	LR	
		Mechanical output Hp	6.93		SS26Q05H14	SS26Q05H18	Hollow	
		Output OHL (lbs.)	1330		SS26Q05HA14	SS26Q05HA18	Hollow alt.	
7.5	233	Mechanical input Hp	5.92	SS26Q07L56	SS26Q07L14	SS26Q07L18	L	
		Thermal input Hp	6.89	SS26Q07R56	SS26Q07R14	SS26Q07R18	R	
		Output torque (lb. in.)	1458	SS26Q07LR56	SS26Q07LR14	SS26Q07LR18	LR	
		Mechanical output Hp	5.47	SS26Q07H56	SS26Q07H14	SS26Q07H18	Hollow	
		Output OHL (lbs.)	1520	SS26Q07HA56	SS26Q07HA14	SS26Q07HA18	Hollow alt.	
10	175	Mechanical input Hp	4.83	SS26Q10L56	SS26Q10L14	SS26Q10L18	L	
		Thermal input Hp	5.61	SS26Q10R56	SS26Q10R14	SS26Q10R18	R	
		Output torque (lb. in.)	1576	SS26Q10LR56	SS26Q10LR14	SS26Q10LR18	LR	
		Mechanical output Hp	4.37	SS26Q10H56	SS26Q10H14	SS26Q10H18	Hollow	
		Output OHL (lbs.)	1610	SS26Q10HA56	SS26Q10HA14	SS26Q10HA18	Hollow alt.	
12.7	138	Mechanical input Hp	4.08	SS26Q12L56	SS26Q12L14	SS26Q12L18	L	
		Thermal input Hp	4.72	SS26Q12R56	SS26Q12R14	SS26Q12R18	R	
		Output torque (lb. in.)	1654	SS26Q12LR56	SS26Q12LR14	SS26Q12LR18	LR	
		Mechanical output Hp	3.63	SS26Q12H56	SS26Q12H14	SS26Q12H18	Hollow	
		Output OHL (lbs.)	1610	SS26Q12HA56	SS26Q12HA14	SS26Q12HA18	Hollow alt.	
15	117	Mechanical input Hp	3.62	SS26Q15L56	SS26Q15L14	SS26Q15L18	L	
		Thermal input Hp	4.15	SS26Q15R56	SS26Q15R14	SS26Q15R18	R	
		Output torque (lb. in.)	1708	SS26Q15LR56	SS26Q15LR14	SS26Q15LR18	LR	
		Mechanical output Hp	3.16	SS26Q15H56	SS26Q15H14	SS26Q15H18	Hollow	
		Output OHL (lbs.)	1610	SS26Q15HA56	SS26Q15HA14	SS26Q15HA18	Hollow alt.	
18	97	Mechanical input Hp	3.05	SS26Q18L56	SS26Q18L14	SS26Q18L18	L	
		Thermal input Hp	3.73	SS26Q18R56	SS26Q18R14	SS26Q18R18	R	
		Output torque (lb. in.)	1708	SS26Q18LR56	SS26Q18LR14	SS26Q18LR18	LR	
		Mechanical output Hp	2.63	SS26Q18H56	SS26Q18H14	SS26Q18H18	Hollow	
		Output OHL (lbs.)	1610	SS26Q18HA56	SS26Q18HA14	SS26Q18HA18	Hollow alt.	
20	88	Mechanical input Hp	2.71	SS26Q20L56	SS26Q20L14		L	
		Thermal input Hp	3.71	SS26Q20R56	SS26Q20R14		R	
		Output torque (lb. in.)	1673	SS26Q20LR56	SS26Q20LR14	-	LR	
		Mechanical output Hp	2.32	SS26Q20H56	SS26Q20H14		Hollow	
		Output OHL (lbs.)	1610	SS26Q20HA56	SS26Q20HA14		Hollow alt.	
25	70	Mechanical input Hp	2.26	SS26Q25L56	SS26Q25L14		L	
		Thermal input Hp	3.00	SS26Q25R56	SS26Q25R14		R	
		Output torque (lb. in.)	1677	SS26Q25LR56	SS26Q25LR14	-	LR	
		Mechanical output Hp	1.86	SS26Q25H56	SS26Q25H14		Hollow	
		Output OHL (lbs.)	1610	SS26Q25HA56	SS26Q25HA14		Hollow alt.	
30	58	Mechanical input Hp	2.00	SS26Q30L56	SS26Q30L14		L	
		Thermal input Hp	2.79	SS26Q30R56	SS26Q30R14		R	
		Output torque (lb. in.)	1705	SS26Q30LR56	SS26Q30LR14	-	LR	
		Mechanical output Hp	1.58	SS26Q30H56	SS26Q30H14		Hollow	
		Output OHL (lbs.)	1610	SS26Q30HA56	SS26Q30HA14		Hollow alt.	
40	44	Mechanical input Hp	1.55	SS26Q40L56	SS26Q40L14		L	
		Thermal input Hp	2.14	SS26Q40R56	SS26Q40R14		R	
		Output torque (lb. in.)	1685	SS26Q40LR56	SS26Q40LR14	-	LR	
		Mechanical output Hp	1.17	SS26Q40H56	SS26Q40H14		Hollow	
		Output OHL (lbs.)	1610	SS26Q40HA56	SS26Q40HA14		Hollow alt.	
50	35	Mechanical input Hp	1.32	SS26Q50L56	SS26Q50L14		L	
		Thermal input Hp	1.76	SS26Q50R56	SS26Q50R14		R	
		Output torque (lb. in.)	1662	SS26Q50LR56	SS26Q50LR14	-	LR	
		Mechanical output Hp	0.92	SS26Q50H56	SS26Q50H14		Hollow	
		Output OHL (lbs.)	1610	SS26Q50HA56	SS26Q50HA14		Hollow alt.	
60	29	Mechanical input Hp	1.08	SS26Q60L56	SS26Q60L14		L	
		Thermal input Hp	1.57	SS26Q60R56	SS26Q60R14		R	
		Output torque (lb. in.)	1547	SS26Q60LR56	SS26Q60LR14	-	LR	
		Mechanical output Hp	0.72	SS26Q60H56	SS26Q60H14		Hollow	
		Output OHL (lbs.)	1610	SS26Q60HA56	SS26Q60HA14		Hollow alt.	

Note: Washdown accessories available in accessories section.

The output bore for hollow reducers listed above is 1-7/16".

We also offer a 1-1/4" output bore. To order, add "SD104" to the end of the part number. Example: SS26Q30H56SD104

Features and benefits

Specification / How to order / Nomenclature

Selection procedures / Hp / Service factor

Ratings / Dimensions

Washdown E-Z Klean®

Washdown Food Safe

Food Safe dimensions

Washdown products

Tigear®-2 Food Safe reducers with 3-piece coupled input – Size 26

Tigear-2 Food Safe reducers with 3-piece coupled input - Size 26

Ratio	Output RPM	Rating data			Part number		Shaft position
		1750 Input RPM	56C	140TC	180TC		
5	350	Mechanical input Hp	7.37		SS26A05L14	SS26A05L18	L
		Thermal input Hp	8.79		SS26A05R14	SS26A05R18	R
		Output torque (lb. in.)	1247	-	SS26A05LR14	SS26A05LR18	LR
		Mechanical output Hp	6.93		SS26A05H14	SS26A05H18	Hollow
		Output OHL (lbs.)	1330		SS26A05HA14	SS26A05HA18	Hollow alt.
7.5	233	Mechanical input Hp	5.92	SS26A07L56	SS26A07L14	SS26A07L18	L
		Thermal input Hp	6.89	SS26A07R56	SS26A07R14	SS26A07R18	R
		Output torque (lb. in.)	1458	SS26A07LR56	SS26A07LR14	SS26A07LR18	LR
		Mechanical output Hp	5.47	SS26A07H56	SS26A07H14	SS26A07H18	Hollow
		Output OHL (lbs.)	1520	SS26A07HA56	SS26A07HA14	SS26A07HA18	Hollow alt.
10	175	Mechanical input Hp	4.83	SS26A10L56	SS26A10L14	SS26A10L18	L
		Thermal input Hp	5.61	SS26A10R56	SS26A10R14	SS26A10R18	R
		Output torque (lb. in.)	1576	SS26A10LR56	SS26A10LR14	SS26A10LR18	LR
		Mechanical output Hp	4.37	SS26A10H56	SS26A10H14	SS26A10H18	Hollow
		Output OHL (lbs.)	1610	SS26A10HA56	SS26A10HA14	SS26A10HA18	Hollow alt.
12.7	138	Mechanical input Hp	4.08	SS26A12L56	SS26A12L14	SS26A12L18	L
		Thermal input Hp	4.72	SS26A12R56	SS26A12R14	SS26A12R18	R
		Output torque (lb. in.)	1654	SS26A12LR56	SS26A12LR14	SS26A12LR18	LR
		Mechanical output Hp	3.63	SS26A12H56	SS26A12H14	SS26A12H18	Hollow
		Output OHL (lbs.)	1610	SS26A12HA56	SS26A12HA14	SS26A12HA18	Hollow alt.
15	117	Mechanical input Hp	3.62	SS26A15L56	SS26A15L14	SS26A15L18	L
		Thermal input Hp	4.15	SS26A15R56	SS26A15R14	SS26A15R18	R
		Output torque (lb. in.)	1708	SS26A15LR56	SS26A15LR14	SS26A15LR18	LR
		Mechanical output Hp	3.16	SS26A15H56	SS26A15H14	SS26A15H18	Hollow
		Output OHL (lbs.)	1610	SS26A15HA56	SS26A15HA14	SS26A15HA18	Hollow alt.
18	97	Mechanical input Hp	3.05	SS26A18L56	SS26A18L14	SS26A18L18	L
		Thermal input Hp	3.73	SS26A18R56	SS26A18R14	SS26A18R18	R
		Output torque (lb. in.)	1708	SS26A18LR56	SS26A18LR14	SS26A18LR18	LR
		Mechanical output Hp	2.63	SS26A18H56	SS26A18H14	SS26A18H18	Hollow
		Output OHL (lbs.)	1610	SS26A18HA56	SS26A18HA14	SS26A18HA18	Hollow alt.
20	88	Mechanical input Hp	2.71	SS26A20L56	SS26A20L14		L
		Thermal input Hp	3.71	SS26A20R56	SS26A20R14		R
		Output torque (lb. in.)	1673	SS26A20LR56	SS26A20LR14	-	LR
		Mechanical output Hp	2.32	SS26A20H56	SS26A20H14		Hollow
		Output OHL (lbs.)	1610	SS26A20HA56	SS26A20HA14		Hollow alt.
25	70	Mechanical input Hp	2.26	SS26A25L56	SS26A25L14		L
		Thermal input Hp	3.00	SS26A25R56	SS26A25R14		R
		Output torque (lb. in.)	1677	SS26A25LR56	SS26A25LR14	-	LR
		Mechanical output Hp	1.86	SS26A25H56	SS26A25H14		Hollow
		Output OHL (lbs.)	1610	SS26A25HA56	SS26A25HA14		Hollow alt.
30	58	Mechanical input Hp	2.00	SS26A30L56	SS26A30L14		L
		Thermal input Hp	2.79	SS26A30R56	SS26A30R14		R
		Output torque (lb. in.)	1705	SS26A30LR56	SS26A30LR14	-	LR
		Mechanical output Hp	1.58	SS26A30H56	SS26A30H14		Hollow
		Output OHL (lbs.)	1610	SS26A30HA56	SS26A30HA14		Hollow alt.
40	44	Mechanical input Hp	1.55	SS26A40L56	SS26A40L14		L
		Thermal input Hp	2.14	SS26A40R56	SS26A40R14		R
		Output torque (lb. in.)	1685	SS26A40LR56	SS26A40LR14	-	LR
		Mechanical output Hp	1.17	SS26A40H56	SS26A40H14		Hollow
		Output OHL (lbs.)	1610	SS26A40HA56	SS26A40HA14		Hollow alt.
50	35	Mechanical input Hp	1.32	SS26A50L56	SS26A50L14		L
		Thermal input Hp	1.76	SS26A50R56	SS26A50R14		R
		Output torque (lb. in.)	1662	SS26A50LR56	SS26A50LR14	-	LR
		Mechanical output Hp	0.92	SS26A50H56	SS26A50H14		Hollow
		Output OHL (lbs.)	1610	SS26A50HA56	SS26A50HA14		Hollow alt.
60	29	Mechanical input Hp	1.08	SS26A60L56	SS26A60L14		L
		Thermal input Hp	1.57	SS26A60R56	SS26A60R14		R
		Output torque (lb. in.)	1547	SS26A60LR56	SS26A60LR14	-	LR
		Mechanical output Hp	0.72	SS26A60H56	SS26A60H14		Hollow
		Output OHL (lbs.)	1610	SS26A60HA56	SS26A60HA14		Hollow alt.

Note: Washdown accessories available in accessories section.

The output bore for hollow reducers listed above is 1-7/16".

We also offer a 1-1/4" output bore. To order, add "SD104" to the end of the part number. Example: SS26A30H56SD104

Washdown products

Tigear®-2 Food Safe reducers with quill input – Size 30

Tigear-2 Food Safe reducers with quill input - Size 30

Ratio	Output RPM	Rating data			Part number			Shaft position
		1750 Input RPM	56C	140TC	180TC	180TC		
5	350	Mechanical input Hp	10.84		SS30Q05L14	SS30Q05L18	L	
		Thermal input Hp	12.53		SS30Q05R14	SS30Q05R18	R	
		Output torque (lb.in.)	1849	-	SS30Q05LR14	SS30Q05LR18	LR	
		Mechanical output Hp	10.27		SS30Q05H14	SS30Q05H18	Hollow	
		Output OHL (lbs.)	1330		-	-	-	
7.5	233	Mechanical input Hp	8.74		SS30Q07L14	SS30Q07L18	L	
		Thermal input Hp	9.64		SS30Q07R14	SS30Q07R18	R	
		Output torque (lb.in.)	2171	-	SS30Q07LR14	SS30Q07LR18	LR	
		Mechanical output Hp	8.15		SS30Q07H14	SS30Q07H18	Hollow	
		Output OHL (lbs.)	1540		-	-	-	
10	175	Mechanical input Hp	7.11		SS30Q10L14	SS30Q10L18	L	
		Thermal input Hp	7.85		SS30Q10R14	SS30Q10R18	R	
		Output torque (lb.in.)	2347	-	SS30Q10LR14	SS30Q10LR18	LR	
		Mechanical output Hp	6.52		SS30Q10H14	SS30Q10H18	Hollow	
		Output OHL (lbs.)	1720		-	-	-	
15	117	Mechanical input Hp	5.00		SS30Q15L14	SS30Q15L18	L	
		Thermal input Hp	5.72		SS30Q15R14	SS30Q15R18	R	
		Output torque (lb.in.)	2371	-	SS30Q15LR14	SS30Q15LR18	LR	
		Mechanical output Hp	4.39		SS30Q15H14	SS30Q15H18	Hollow	
		Output OHL (lbs.)	2300		-	-	-	
20	88	Mechanical input Hp	3.81	SS30Q20L56	SS30Q20L14	SS30Q20L18	L	
		Thermal input Hp	4.52	SS30Q20R56	SS30Q20R14	SS30Q20R18	R	
		Output torque (lb.in.)	2345	SS30Q20LR56	SS30Q20LR14	SS30Q20LR18	LR	
		Mechanical output Hp	3.26	SS30Q20H56	SS30Q20H14	SS30Q20H18	Hollow	
		Output OHL (lbs.)	2300		-	-	-	
25	70	Mechanical input Hp	3.05	SS30Q25L56	SS30Q25L14	SS30Q25L18	L	
		Thermal input Hp	3.90	SS30Q25R56	SS30Q25R14	SS30Q25R18	R	
		Output torque (lb.in.)	2284	SS30Q25LR56	SS30Q25LR14	SS30Q25LR18	LR	
		Mechanical output Hp	2.54	SS30Q25H56	SS30Q25H14	SS30Q25H18	Hollow	
		Output OHL (lbs.)	2300		-	-	-	
30	58	Mechanical input Hp	2.75	SS30Q30L56	SS30Q30L14		L	
		Thermal input Hp	3.58	SS30Q30R56	SS30Q30R14		R	
		Output torque (lb.in.)	2417	SS30Q30LR56	SS30Q30LR14	-	LR	
		Mechanical output Hp	2.24	SS30Q30H56	SS30Q30H14		Hollow	
		Output OHL (lbs.)	2300		-	-	-	
40	44	Mechanical input Hp	2.09	SS30Q40L56	SS30Q40L14		L	
		Thermal input Hp	2.87	SS30Q40R56	SS30Q40R14		R	
		Output torque (lb.in.)	2324	SS30Q40LR56	SS30Q40LR14	-	LR	
		Mechanical output Hp	1.61	SS30Q40H56	SS30Q40H14		Hollow	
		Output OHL (lbs.)	2300		-	-	-	
50	35	Mechanical input Hp	1.75	SS30Q50L56	SS30Q50L14		L	
		Thermal input Hp	2.34	SS30Q50R56	SS30Q50R14		R	
		Output torque (lb.in.)	2257	SS30Q50LR56	SS30Q50LR14	-	LR	
		Mechanical output Hp	1.25	SS30Q50H56	SS30Q50H14		Hollow	
		Output OHL (lbs.)	2300		-	-	-	
60	29	Mechanical input Hp	1.50	SS30Q60L56	SS30Q60L14		L	
		Thermal input Hp	2.01	SS30Q60R56	SS30Q60R14		R	
		Output torque (lb.in.)	2138	SS30Q60LR56	SS30Q60LR14	-	LR	
		Mechanical Output Hp	0.99	SS30Q60H56	SS30Q60H14		Hollow	
		Output OHL (lbs.)	2300		-	-	-	

Note: Washdown accessories available in accessories section. The output bore for hollow reducers listed above is 1-15/16". We also offer a 1-1/4" output bore. To order, add "SD104" to the end of the part number. Example: SS30Q30H56SD104

Features and benefits

Specification / How to order / Nomenclature

Selection procedures / Hp / Service factor

Ratings / Dimensions

Washdown E-Z Klean®

Washdown Food Safe

Food Safe dimensions

Washdown products

Tigear®-2 Food Safe reducers with 3-piece coupled input – Size 30

Tigear-2 Food Safe reducers with 3-piece coupled input - Size 30

Ratio	Output RPM	Rating data			Part number			Shaft position
		1750 Input RPM	56C	140TC	180TC			
5	350	Mechanical input Hp	10.84		SS30A05L14	SS30A05L18	L	
		Thermal input Hp	12.53		SS30A05R14	SS30A05R18	R	
		Output torque (lb.in.)	1849	-	SS30A05LR14	SS30A05LR18	LR	
		Mechanical output Hp	10.27		SS30A05H14	SS30A05H18	Hollow	
		Output OHL (lbs.)	1330		-	-	-	
7.5	233	Mechanical input Hp	8.74		SS30A07L14	SS30A07L18	L	
		Thermal input Hp	9.64		SS30A07R14	SS30A07R18	R	
		Output torque (lb.in.)	2171	-	SS30A07LR14	SS30A07LR18	LR	
		Mechanical output Hp	8.15		SS30A07H14	SS30A07H18	Hollow	
		Output OHL (lbs.)	1540		-	-	-	
10	175	Mechanical input Hp	7.11		SS30A10L14	SS30A10L18	L	
		Thermal input Hp	7.85		SS30A10R14	SS30A10R18	R	
		Output torque (lb.in.)	2347	-	SS30A10LR14	SS30A10LR18	LR	
		Mechanical output Hp	6.52		SS30A10H14	SS30A10H18	Hollow	
		Output OHL (lbs.)	1720		-	-	-	
15	117	Mechanical input Hp	5.00		SS30A15L14	SS30A15L18	L	
		Thermal input Hp	5.72		SS30A15R14	SS30A15R18	R	
		Output torque (lb.in.)	2371	-	SS30A15LR14	SS30A15LR18	LR	
		Mechanical output Hp	4.39		SS30A15H14	SS30A15H18	Hollow	
		Output OHL (lbs.)	2300		-	-	-	
20	88	Mechanical input Hp	3.81	SS30A20L56	SS30A20L14	SS30A20L18	L	
		Thermal input Hp	4.52	SS30A20R56	SS30A20R14	SS30A20R18	R	
		Output torque (lb.in.)	2345	SS30A20LR56	SS30A20LR14	SS30A20LR18	LR	
		Mechanical output Hp	3.26	SS30A20H56	SS30A20H14	SS30A20H18	Hollow	
		Output OHL (lbs.)	2300		-	-	-	
25	70	Mechanical input Hp	3.05	SS30A25L56	SS30A25L14	SS30A25L18	L	
		Thermal input Hp	3.90	SS30A25R56	SS30A25R14	SS30A25R18	R	
		Output torque (lb.in.)	2284	SS30A25LR56	SS30A25LR14	SS30A25LR18	LR	
		Mechanical output Hp	2.54	SS30A25H56	SS30A25H14	SS30A25H18	Hollow	
		Output OHL (lbs.)	2300		-	-	-	
30	58	Mechanical input Hp	2.75	SS30A30L56	SS30A30L14		L	
		Thermal input Hp	3.58	SS30A30R56	SS30A30R14		R	
		Output torque (lb.in.)	2417	SS30A30LR56	SS30A30LR14	-	LR	
		Mechanical output Hp	2.24	SS30A30H56	SS30A30H14		Hollow	
		Output OHL (lbs.)	2300		-	-	-	
40	44	Mechanical input Hp	2.09	SS30A40L56	SS30A40L14		L	
		Thermal input Hp	2.87	SS30A40R56	SS30A40R14		R	
		Output torque (lb.in.)	2324	SS30A40LR56	SS30A40LR14	-	LR	
		Mechanical output Hp	1.61	SS30A40H56	SS30A40H14		Hollow	
		Output OHL (lbs.)	2300		-	-	-	
50	35	Mechanical input Hp	1.75	SS30A50L56	SS30A50L14		L	
		Thermal input Hp	2.34	SS30A50R56	SS30A50R14		R	
		Output torque (lb.in.)	2257	SS30A50LR56	SS30A50LR14	-	LR	
		Mechanical output Hp	1.25	SS30A50H56	SS30A50H14		Hollow	
		Output OHL (lbs.)	2300		-	-	-	
60	29	Mechanical input Hp	1.50	SS30A60L56	SS30A60L14		L	
		Thermal input Hp	2.01	SS30A60R56	SS30A60R14		R	
		Output torque (lb.in.)	2138	SS30A60LR56	SS30A60LR14	-	LR	
		Mechanical Output Hp	0.99	SS30A60H56	SS30A60H14		Hollow	
		Output OHL (lbs.)	2300		-	-	-	

Note: Washdown accessories available in accessories section.

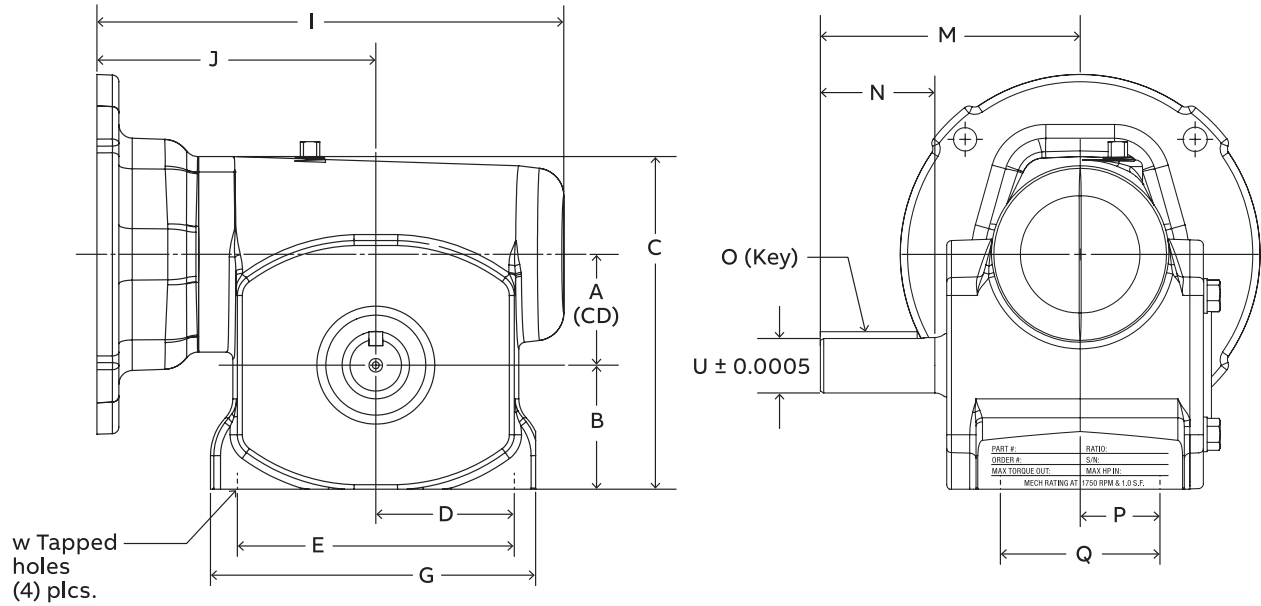
The output bore for hollow reducers listed above is 1-15/16".

We also offer a 1-1/4" output bore. To order, add "SD104" to the end of the part number. Example: SS30A30H56SD104

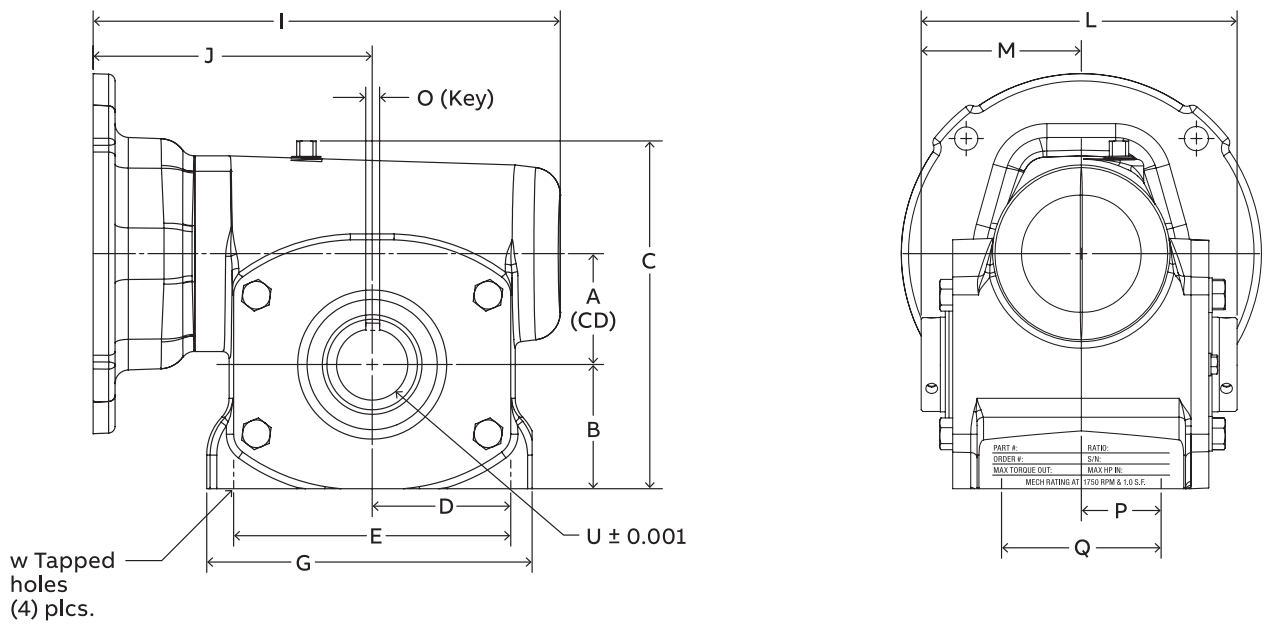
Washdown products dimensions

Tigear®-2 Food Safe reducers with quill input

Quill input with solid output



Quill input with hollow output



Features and benefits

Specification / How to order / Nomenclature

Selection procedures / Hp / Service factor

Ratings / Dimensions

Washdown E-Z Klean®

Washdown Food Safe

Food Safe dimensions

Washdown products dimensions

Tigear®-2 Food Safe reducers with quill input

Quill input with solid output

Size	A	B	C	D	E	G	I				J
							56C/140TC	180TC	56C/140TC	180TC	
17	1.75	1.99	5.85	2.09	4.19	5.50	8.00	N/A	4.92	N/A	
20	2.00	2.24	6.35	2.50	5.00	6.12	8.47	N/A	5.02	N/A	
23	2.31	2.50	7.38	2.50	5.00	6.76	9.12	9.94	5.47	6.29	
26	2.63	2.87	8.36	3.19	6.38	7.26	9.37	10.18	5.51	6.32	
30	3.00	3.25	8.88	3.50	7.00	8.24	10.58	11.39	6.12	6.93	

Size	M	N	O	P	Q	U		W
						+/-0.0005	Tap Size	
17	4.31	1.74	3/16 SQ. x 1.50 Key	1.38	2.75	0.874	5/16-18	0.75
20	4.69	2.11	1/4 SQ. x 1.75 Key	1.44	2.88	0.999	3/8-16	0.75
23	5.14	2.18	1/4 SQ. x 1.98 Key	1.44	2.88	1.124	3/8-16	0.69
26	5.63	2.67	1/4 SQ. x 2.35 Key	1.69	3.38	1.124	3/8-16	0.69
30	6.75	3.20	5/16 SQ. x 3.00 Key	2.00	4.00	1.374	7/16-14	0.88

Quill input with hollow output

Size	A	B	C	D	E	G	I				J
							56C/140TC	180TC	56C/140TC	180TC	
17	1.75	1.99	5.85	2.09	4.19	5.50	8.09	N/A	4.92	N/A	
20	2.00	2.24	6.35	2.50	5.00	6.12	8.47	N/A	5.02	N/A	
20 alt.	2.00	2.24	6.35	2.50	5.00	6.12	8.47	N/A	5.02	N/A	
23	2.31	2.50	7.38	2.50	5.00	6.76	9.12	9.94	5.47	6.29	
23 alt.	2.31	2.50	7.38	2.50	5.00	6.76	9.12	9.94	5.47	6.29	
26	2.63	2.87	8.36	3.19	6.38	7.26	9.37	10.18	5.51	6.32	
26 alt.	2.63	2.87	8.36	3.19	6.38	7.26	9.37	10.18	5.51	6.32	
30	3.00	3.25	8.88	3.50	7.00	8.24	10.58	11.39	6.12	6.93	

Size	L	M	O	P	Q	U		W
						+/-0.001	Tap Size	
17	5.41	2.71	1/4 x 0.22 x 1.50 Key	1.38	2.75	1.001	5/16-18	0.75
20	5.70	2.85	1/4 X 1/4 X 1.75 Key	1.44	2.88	1.251	3/8-16	0.75
20 alt.	5.70	2.85	1/4 X 1/4 X 1.75 Key	1.44	2.88	1.189	3/8-16	0.75
23	6.62	3.31	3/8 x 0.31 x 2.20 Key	1.44	2.88	1.439	3/8-16	0.69
23 alt.	6.62	3.31	3/8 x 0.28 x 2.20 Key	1.44	2.88	1.501	3/8-16	0.69
23SD104	6.62	3.31	1/4 X 1/4 X 2.20 Key	1.44	2.88	1.251	3/8-16	0.69
26	6.62	3.31	3/8 x 0.31 x 2.20 Key	1.69	3.38	1.439	3/8-16	0.69
26 alt.	6.62	3.31	3/8 x 0.31 x 2.20 Key	1.69	3.38	1.689	3/8-16	0.69
26SD104	6.62	3.31	1/4 X 1/4 X 2.20 Key	1.69	3.38	1.251	3/8-16	0.69
30	7.76	3.88	1/2 x 0.44 x 3.00 Key	2.00	4.00	1.939	7/16-14	0.88
30SD104	7.76	3.88	1/4 X 1/4 X 3.00 Key	2.00	4.00	1.251	7/16-14	0.88
30BD107	7.76	3.88	3/8 X 0.31 X 3.00 Key	2.00	4.00	1.439	7/16-14	0.88

Note: 1-1/4" output bore optional available.

To order, add "SD104" to the end of the part number.

Example: SS30Q30H56SD104

1-7/16" output bore optional available.

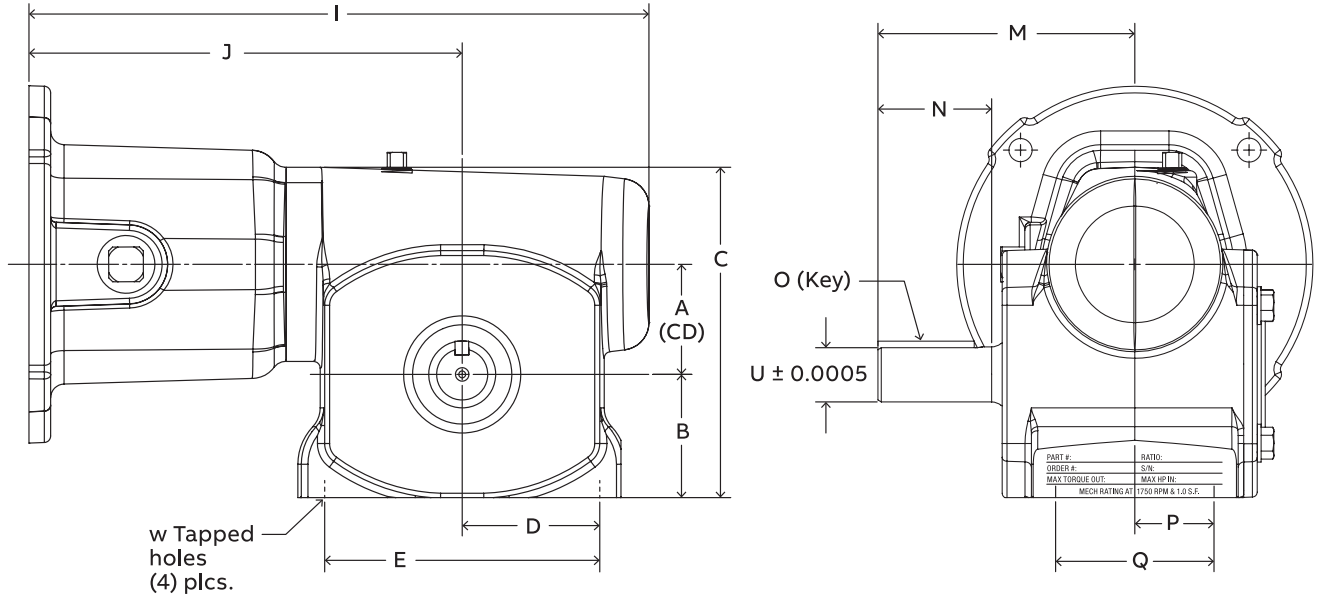
To order, add "BD107" to the end of the part number.

Example: SS30Q30H56BD107

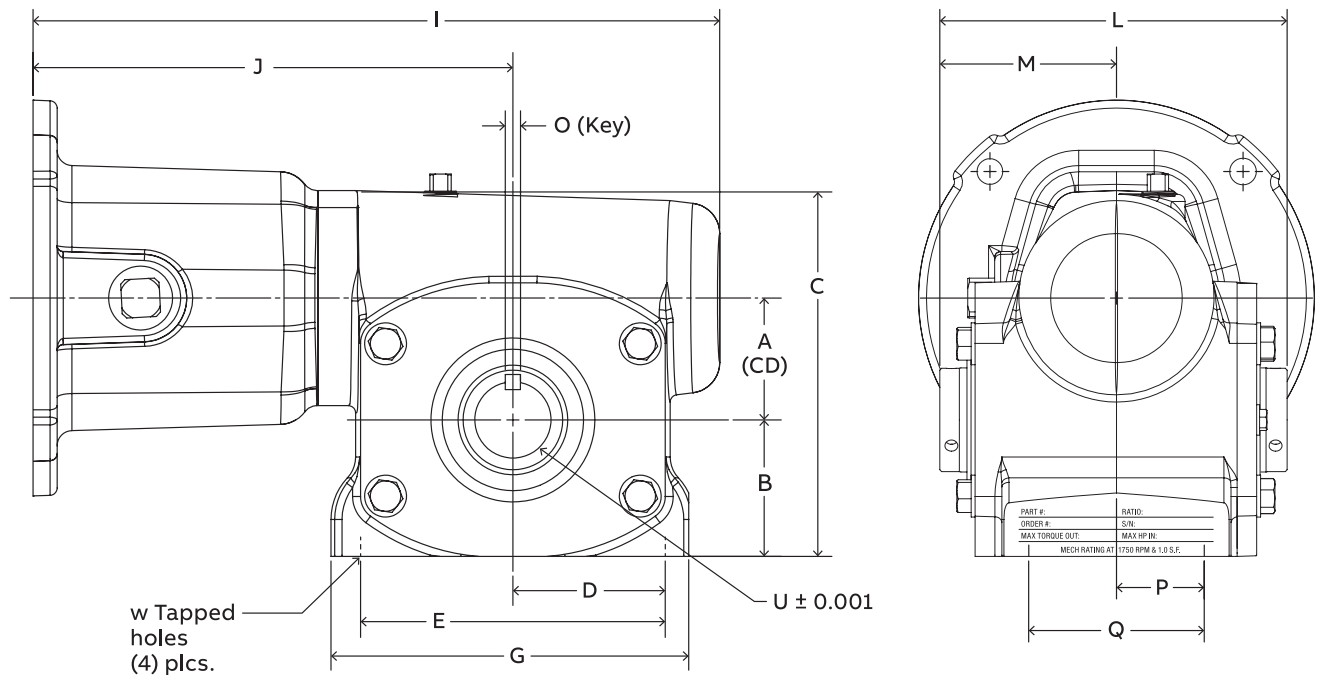
Washdown products dimensions

Tigear®-2 Food Safe reducers with 3-piece coupled input

3-piece coupled input with solid output



3-piece coupled input with hollow output



Features and benefits

Specification / How to order / Nomenclature

Selection procedures / Hp / Service factor

Ratings / Dimensions

Washdown E-Z Kleen®

Washdown Food Safe

Food Safe dimensions

Washdown products dimensions

Tigear®-2 Food Safe reducers with 3-piece coupled input

3-piece coupled input with solid output

Size	A	B	C	D	E	G	I				J
							56C/140TC	180TC	56C/140TC	180TC	
17	1.75	1.99	5.85	2.09	4.19	5.50	10.92	N/A	7.75	N/A	
20	2.00	2.24	6.35	2.50	5.00	6.12	11.30	N/A	7.85	N/A	
23	2.31	2.50	7.38	2.50	5.00	6.76	12.25	12.98	8.60	9.33	
26	2.63	2.87	8.36	3.19	6.38	7.26	12.49	13.22	8.63	9.36	
30	3.00	3.25	8.88	3.50	7.00	8.24	13.70	14.43	9.24	9.97	

Size	M	N	O	P	Q	U		W
						+/-0.0005	Tap Size	
17	4.31	1.74	3/16 SQ. x 1.50 Key	1.38	2.75	0.874	5/16-18	0.75
20	4.69	2.11	1/4 SQ. x 1.75 Key	1.44	2.88	0.999	3/8-16	0.75
23	5.14	2.18	1/4 SQ. x 1.98 Key	1.44	2.88	1.124	3/8-16	0.69
26	5.63	2.67	1/4 SQ. x 2.35 Key	1.69	3.38	1.124	3/8-16	0.69
30	6.75	3.20	5/16 SQ. x 3.00 Key	2.00	4.00	1.374	7/16-14	0.88

3-piece coupled input with hollow output

Size	A	B	C	D	E	G	I				J
							56C/140TC	180TC	56C/140TC	180TC	
17	1.75	1.99	5.85	2.09	4.19	5.50	10.92	N/A	7.75	N/A	
20	2.00	2.24	6.35	2.50	5.00	6.12	11.30	N/A	7.85	N/A	
20 alt.	2.00	2.24	6.35	2.50	5.00	6.12	11.30	N/A	7.85	N/A	
23	2.31	2.50	7.38	2.50	5.00	6.76	12.25	12.98	8.60	9.33	
23 alt.	2.31	2.50	7.38	2.50	5.00	6.76	12.25	12.98	8.60	9.33	
26	2.63	2.87	8.36	3.19	6.38	7.26	12.49	13.22	8.63	9.36	
26 alt.	2.63	2.87	8.36	3.19	6.38	7.26	12.49	13.22	8.63	9.36	
30	3.00	3.25	8.88	3.50	7.00	8.24	13.70	14.43	9.24	9.97	

Size	L	M	O	P	Q	U		W
						+/-0.001	Tap Size	
17	5.41	2.71	1/4 x 0.22 x 1.50 Key	1.38	2.75	1.001	5/16-18	0.75
20	5.70	2.85	1/4 X 1/4 X 1.75 Key	1.44	2.88	1.251	3/8-16	0.75
20 alt.	5.70	2.85	1/4 X 1/4 X 1.75 Key	1.44	2.88	1.189	3/8-16	0.75
23	6.62	3.31	3/8 x 0.31 x 2.20 Key	1.44	2.88	1.439	3/8-16	0.69
23 alt.	6.62	3.31	3/8 x 0.28 x 2.20 Key	1.44	2.88	1.501	3/8-16	0.69
23SD104	6.62	3.31	1/4 X 1/4 X 2.20 Key	1.44	2.88	1.251	3/8-16	0.69
26	6.62	3.31	3/8 x 0.31 x 2.20 Key	1.69	3.38	1.439	3/8-16	0.69
26 alt.	6.62	3.31	3/8 x 0.31 x 2.20 Key	1.69	3.38	1.689	3/8-16	0.69
26SD104	6.62	3.31	1/4 X 1/4 X 2.20 Key	1.69	3.38	1.251	3/8-16	0.69
30	7.76	3.88	1/2 x 0.44 x 3.00 Key	2.00	4.00	1.939	7/16-14	0.88
30SD104	7.76	3.88	1/4 X 1/4 X 3.00 Key	2.00	4.00	1.251	7/16-14	0.88
30BD107	7.76	3.88	3/8 X 0.31 X 3.00 Key	2.00	4.00	1.439	7/16-14	0.88

Note: 1-1/4" output bore optional available. To order, add "SD104" to the end of the part number.

Example: SS30A30H56SD104

1-7/16" output bore optional available.

To order, add "BD107" to the end of the part number.

Example: SS30Q30H56BD107

Ratings and dimensions

Metric Tigear®-2 reducers – Size 17

Metric Tigear-2 – Size 17 – 50 Hz ratings

Ratio	Output RPM	Rating data	Part number			Shaft position	
			1450 input RPM	IEC71	IEC80		IEC90
5	290	Mechanical input kW	1.63	17MA05L71	17MA05L80	17MA05L90	L
		Thermal input kW	2.96	17MA05R71	17MA05R80	17MA05R90	R
		Output torque (Nm)	49	17MA05LR71	17MA05LR80	17MA05LR90	LR
		Mechanical output kW	1.50	17MA05H71	17MA05H80	17MA05H90	Hollow
		Output OHL (kgs)	476				
7.5	193	Mechanical input kW	1.28	17MA07L71	17MA07L80	17MA07L90	L
		Thermal input kW	2.55	17MA07R71	17MA07R80	17MA07R90	R
		Output torque (Nm)	57	17MA07LR71	17MA07LR80	17MA07LR90	LR
		Mechanical output kW	1.16	17MA07H71	17MA07H80	17MA07H90	Hollow
		Output OHL (kgs)	476				
10	145	Mechanical input kW	1.05	17MA10L71	17MA10L80	17MA10L90	L
		Thermal input kW	2.06	17MA10R71	17MA10R80	17MA10R90	R
		Output torque (Nm)	61	17MA10LR71	17MA10LR80	17MA10LR90	LR
		Mechanical output kW	0.93	17MA10H71	17MA10H80	17MA10H90	Hollow
		Output OHL (kgs)	476				
15	97	Mechanical input kW	0.80	17MA15L71	17MA15L80	17MA15L90	L
		Thermal input kW	1.50	17MA15R71	17MA15R80	17MA15R90	R
		Output torque (Nm)	67	17MA15LR71	17MA15LR80	17MA15LR90	LR
		Mechanical output kW	0.68	17MA15H71	17MA15H80	17MA15H90	Hollow
		Output OHL (kgs)	476				
20	73	Mechanical input kW	0.65	17MA20L71	17MA20L80	17MA20L90	L
		Thermal input kW	1.18	17MA20R71	17MA20R80	17MA20R90	R
		Output torque (Nm)	69	17MA20LR71	17MA20LR80	17MA20LR90	LR
		Mechanical output kW	0.53	17MA20H71	17MA20H80	17MA20H90	Hollow
		Output OHL (kgs)	476				
25	58	Mechanical input kW	0.55	17MA25L71	17MA25L80	17MA25L90	L
		Thermal input kW	0.95	17MA25R71	17MA25R80	17MA25R90	R
		Output torque (Nm)	70	17MA25LR71	17MA25LR80	17MA25LR90	LR
		Mechanical output kW	0.43	17MA25H71	17MA25H80	17MA25H90	Hollow
		Output OHL (kgs)	476				
30	48	Mechanical input kW	0.54	17MA30L71	17MA30L80	17MA30L90	L
		Thermal input kW	0.89	17MA30R71	17MA30R80	17MA30R90	R
		Output torque (Nm)	81	17MA30LR71	17MA30LR80	17MA30LR90	LR
		Mechanical output kW	0.41	17MA30H71	17MA30H80	17MA30H90	Hollow
		Output OHL (kgs)	476				

Note: Ratios 40, 50, and 60 available upon request.

Ratings and dimensions

Metric Tigear®-2 reducers – Size 17

Metric Tigear-2 – Size 17 – 60 Hz ratings

Ratio	Output RPM	Rating data				Part number	Shaft position
		1750 input RPM	IEC71	IEC80	IEC90		
5	350	Mechanical input kW	1.93	17MA05L71	17MA05L80	17MA05L90	L
		Thermal input kW	2.96	17MA05R71	17MA05R80	17MA05R90	R
		Output torque (Nm)	49	17MA05LR71	17MA05LR80	17MA05LR90	LR
		Mechanical output kW	1.78	17MA05H71	17MA05H80	17MA05H90	Hollow
		Output OHL (kgs)	476				
7.5	233	Mechanical input kW	1.54	17MA07L71	17MA07L80	17MA07L90	L
		Thermal input kW	2.55	17MA07R71	17MA07R80	17MA07R90	R
		Output torque (Nm)	56	17MA07LR71	17MA07LR80	17MA07LR90	LR
		Mechanical output kW	1.40	17MA07H71	17MA07H80	17MA07H90	Hollow
		Output OHL (kgs)	476				
10	175	Mechanical input kW	1.25	17MA10L71	17MA10L80	17MA10L90	L
		Thermal input kW	2.06	17MA10R71	17MA10R80	17MA10R90	R
		Output torque (Nm)	60	17MA10LR71	17MA10LR80	17MA10LR90	LR
		Mechanical output kW	1.10	17MA10H71	17MA10H80	17MA10H90	Hollow
		Output OHL (kgs)	476				
15	117	Mechanical input kW	0.95	17MA15L71	17MA15L80	17MA15L90	L
		Thermal input kW	1.50	17MA15R71	17MA15R80	17MA15R90	R
		Output torque (Nm)	66	17MA15LR71	17MA15LR80	17MA15LR90	LR
		Mechanical output kW	0.81	17MA15H71	17MA15H80	17MA15H90	Hollow
		Output OHL (kgs)	476				
20	88	Mechanical input kW	0.77	17MA20L71	17MA20L80	17MA20L90	L
		Thermal input kW	1.18	17MA20R71	17MA20R80	17MA20R90	R
		Output torque (Nm)	68	17MA20LR71	17MA20LR80	17MA20LR90	LR
		Mechanical output kW	0.63	17MA20H71	17MA20H80	17MA20H90	Hollow
		Output OHL (kgs)	476				
25	70	Mechanical input kW	0.66	17MA25L71	17MA25L80	17MA25L90	L
		Thermal input kW	0.95	17MA25R71	17MA25R80	17MA25R90	R
		Output torque (Nm)	69	17MA25LR71	17MA25LR80	17MA25LR90	LR
		Mechanical output kW	0.51	17MA25H71	17MA25H80	17MA25H90	Hollow
		Output OHL (kgs)	476				
30	58	Mechanical input kW	0.57	17MA30L71	17MA30L80	17MA30L90	L
		Thermal input kW	0.89	17MA30R71	17MA30R80	17MA30R90	R
		Output torque (Nm)	69	17MA30LR71	17MA30LR80	17MA30LR90	LR
		Mechanical output kW	0.43	17MA30H71	17MA30H80	17MA30H90	Hollow
		Output OHL (kgs)	476				

Note: Ratios 40, 50, and 60 available upon request.

Ratings and dimensions

Metric Tigear®-2 reducers – Size 17 – Solid output

Metric Reducers – Ratings & Dimensions

Ratio multiplier

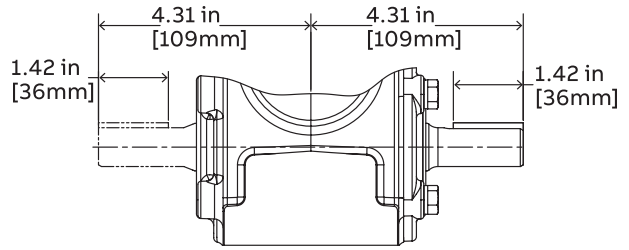
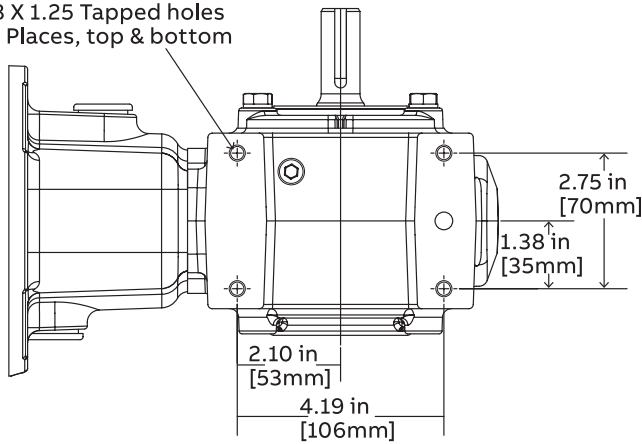
Accessories

Competitor interchange

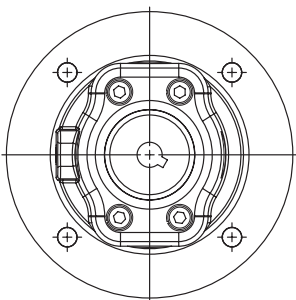
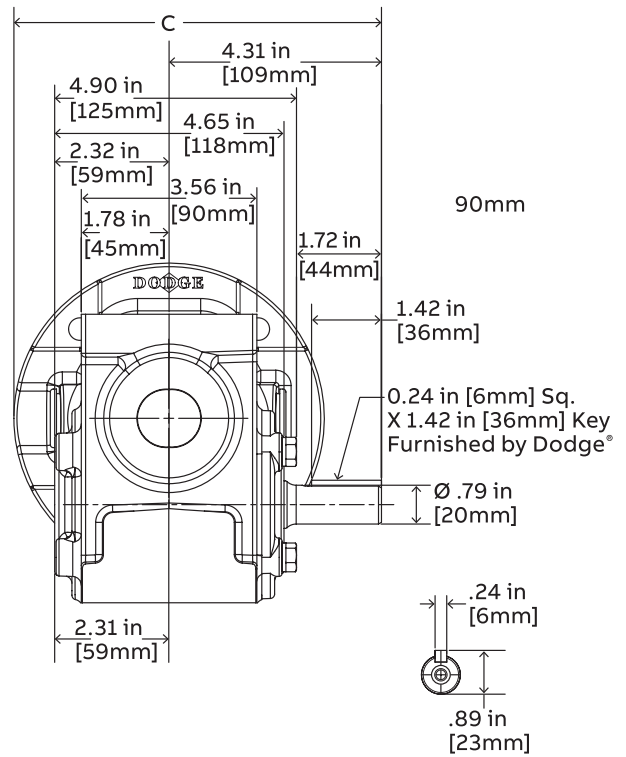
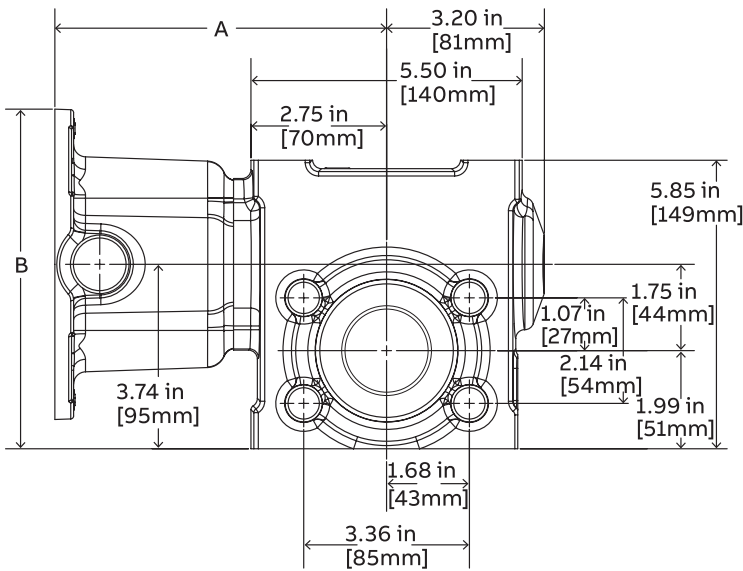
Renewal parts

Part number index

M8 X 1.25 Tapped holes
(4) Places, top & bottom

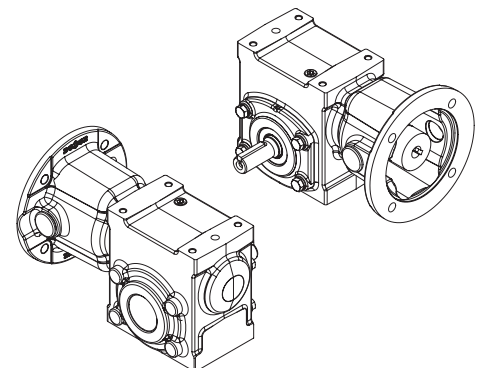


LR - Double extension or R - Reversed extension



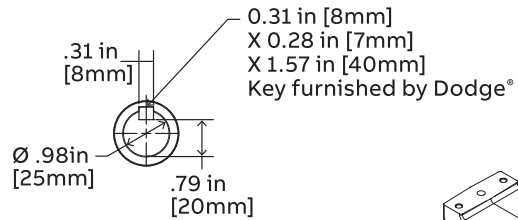
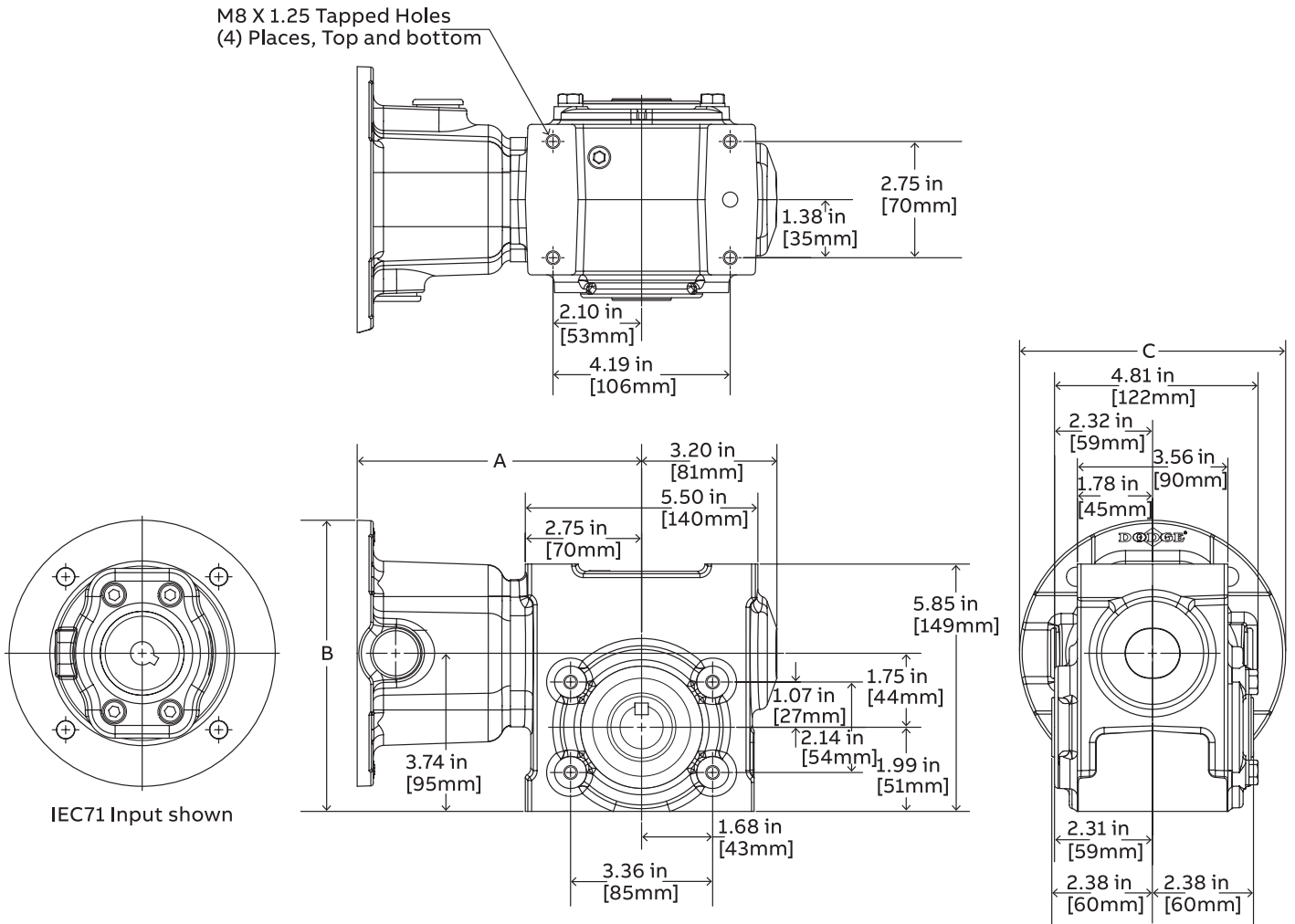
IEC71 Input shown

IEC Frame – B5	A	B	C
71	6.73 in [171 mm]	6.89 in [171 mm]	7.45 in [189 mm]
80	7.12 in [181 mm]	7.67 in [198 mm]	8.23 in [209 mm]
90	7.53 in [191 mm]	7.67 in [195 mm]	8.23 in [209 mm]

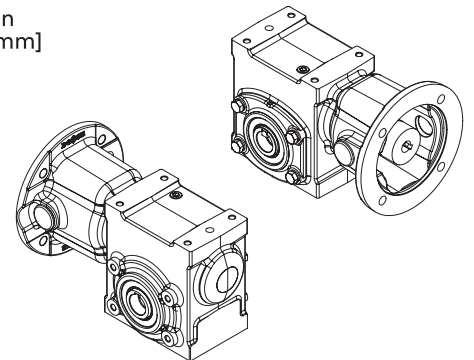


Ratings and dimensions

Metric Tigear®-2 reducers – Size 17 – Hollow output



IEC Frame – B5	A	B	C
71	6.73 in [171 mm]	6.89 in [175 mm]	6.29 in [160 mm]
80	7.12 in [181 mm]	7.67 in [195 mm]	7.87 in [200 mm]
90	7.53 in [191 mm]	7.67 in [195 mm]	7.87 in [200 mm]



Ratings and dimensions

Metric Tigear®-2 reducers – Size 20

Metric Tigear-2 – Size 20 – 50 Hz ratings

Ratio	Output RPM	Rating data 1450 input RPM	Part number			Shaft position	
			IEC71	IEC80	IEC90		
5	290	Mechanical input kW	2.22	20MA05L71	20MA05L80	20MA05L90	L
		Thermal input kW	3.65	20MA05R71	20MA05R80	20MA05R90	R
		Output torque (Nm)	68	20MA05LR71	20MA05LR80	20MA05LR90	LR
		Mechanical output kW	2.06	20MA05H71	20MA05H80	20MA05H90	Hollow
		Output OHL (kgs)	626				
7.5	193	Mechanical input kW	1.75	20MA07L71	20MA07L80	20MA07L90	L
		Thermal input kW	2.42	20MA07R71	20MA07R80	20MA07R90	R
		Output torque (Nm)	79	20MA07LR71	20MA07LR80	20MA07LR90	LR
		Mechanical output kW	1.61	20MA07H71	20MA07H80	20MA07H90	Hollow
		Output OHL (kgs)	689				
10	145	Mechanical input kW	1.45	20MA10L71	20MA10L80	20MA10L90	L
		Thermal input kW	2.11	20MA10R71	20MA10R80	20MA10R90	R
		Output torque (Nm)	85	20MA10LR71	20MA10LR80	20MA10LR90	LR
		Mechanical output kW	1.29	20MA10H71	20MA10H80	20MA10H90	Hollow
		Output OHL (kgs)	689				
15	97	Mechanical input kW	1.08	20MA15L71	20MA15L80	20MA15L90	L
		Thermal input kW	1.88	20MA15R71	20MA15R80	20MA15R90	R
		Output torque (Nm)	92	20MA15LR71	20MA15LR80	20MA15LR90	LR
		Mechanical output kW	0.94	20MA15H71	20MA15H80	20MA15H90	Hollow
		Output OHL (kgs)	689				
20	73	Mechanical input kW	0.86	20MA20L71	20MA20L80	20MA20L90	L
		Thermal input kW	1.48	20MA20R71	20MA20R80	20MA20R90	R
		Output torque (Nm)	94	20MA20LR71	20MA20LR80	20MA20LR90	LR
		Mechanical output kW	0.71	20MA20H71	20MA20H80	20MA20H90	Hollow
		Output OHL (kgs)	689				
25	58	Mechanical input kW	0.72	20MA25L71	20MA25L80	20MA25L90	L
		Thermal input kW	1.19	20MA25R71	20MA25R80	20MA25R90	R
		Output torque (Nm)	93	20MA25LR71	20MA25LR80	20MA25LR90	LR
		Mechanical output kW	0.57	20MA25H71	20MA25H80	20MA25H90	Hollow
		Output OHL (kgs)	689				
30	48	Mechanical input kW	0.62	20MA30L71	20MA30L80	20MA30L90	L
		Thermal input kW	1.11	20MA30R71	20MA30R80	20MA30R90	R
		Output torque (Nm)	94	20MA30LR71	20MA30LR80	20MA30LR90	LR
		Mechanical output kW	0.48	20MA30H71	20MA30H80	20MA30H90	Hollow
		Output OHL (kgs)	689				

Note: Ratios 40, 50, and 60 available upon request.

Ratings and dimensions

Metric Tigear®-2 reducers – Size 20

Metric Tigear-2 – Size 20 – 60 Hz ratings

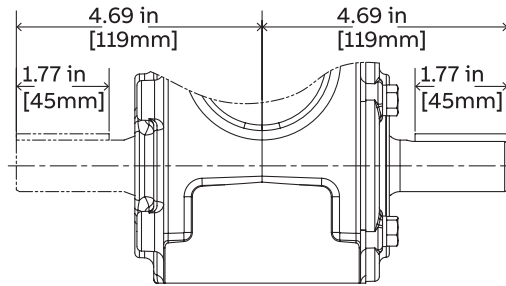
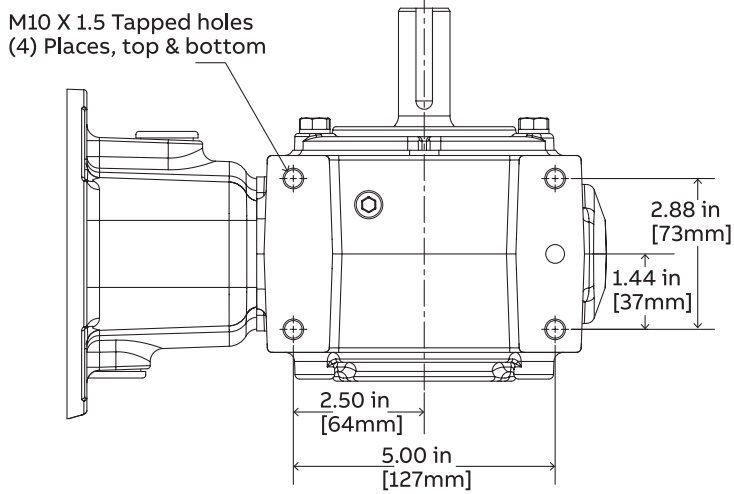
Ratio	Output RPM	Rating data				Part number	Shaft position
		1750 input RPM	IEC71	IEC80	IEC90		
5	350	Mechanical input kW	2.59	20MA05L71	20MA05L80	20MA05L90	L
		Thermal input kW	3.65	20MA05R71	20MA05R80	20MA05R90	R
		Output torque (Nm)	66	20MA05LR71	20MA05LR80	20MA05LR90	LR
		Mechanical output kW	2.41	20MA05H71	20MA05H80	20MA05H90	Hollow
		Output OHL (kgs)	626				
7.5	233	Mechanical input kW	2.07	20MA07L71	20MA07L80	20MA07L90	L
		Thermal input kW	3.09	20MA07R71	20MA07R80	20MA07R90	R
		Output torque (Nm)	77	20MA07LR71	20MA07LR80	20MA07LR90	LR
		Mechanical output kW	1.89	20MA07H71	20MA07H80	20MA07H90	Hollow
		Output OHL (kgs)	689				
10	175	Mechanical input kW	1.68	20MA10L71	20MA10L80	20MA10L90	L
		Thermal input kW	2.42	20MA10R71	20MA10R80	20MA10R90	R
		Output torque (Nm)	82	20MA10LR71	20MA10LR80	20MA10LR90	LR
		Mechanical output kW	1.50	20MA10H71	20MA10H80	20MA10H90	Hollow
		Output OHL (kgs)	689				
15	117	Mechanical input kW	1.26	20MA15L71	20MA15L80	20MA15L90	L
		Thermal input kW	1.88	20MA15R71	20MA15R80	20MA15R90	R
		Output torque (Nm)	89	20MA15LR71	20MA15LR80	20MA15LR90	LR
		Mechanical output kW	1.09	20MA15H71	20MA15H80	20MA15H90	Hollow
		Output OHL (kgs)	689				
20	88	Mechanical input kW	1.00	20MA20L71	20MA20L80	20MA20L90	L
		Thermal input kW	1.48	20MA20R71	20MA20R80	20MA20R90	R
		Output torque (Nm)	90	20MA20LR71	20MA20LR80	20MA20LR90	LR
		Mechanical output kW	0.83	20MA20H71	20MA20H80	20MA20H90	Hollow
		Output OHL (kgs)	689				
25	70	Mechanical input kW	0.83	20MA25L71	20MA25L80	20MA25L90	L
		Thermal input kW	1.19	20MA25R71	20MA25R80	20MA25R90	R
		Output torque (Nm)	89	20MA25LR71	20MA25LR80	20MA25LR90	LR
		Mechanical output kW	0.65	20MA25H71	20MA25H80	20MA25H90	Hollow
		Output OHL (kgs)	689				
30	58	Mechanical input kW	0.72	20MA30L71	20MA30L80	20MA30L90	L
		Thermal input kW	1.11	20MA30R71	20MA30R80	20MA30R90	R
		Output torque (Nm)	91	20MA30LR71	20MA30LR80	20MA30LR90	LR
		Mechanical output kW	0.55	20MA30H71	20MA30H80	20MA30H90	Hollow
		Output OHL (kgs)	689				

Note: Ratios 40, 50, and 60 available upon request.

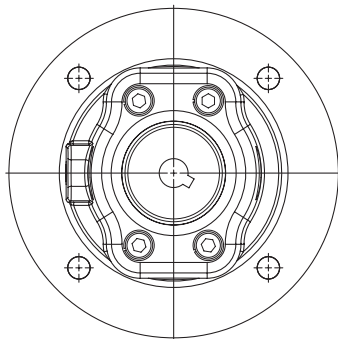
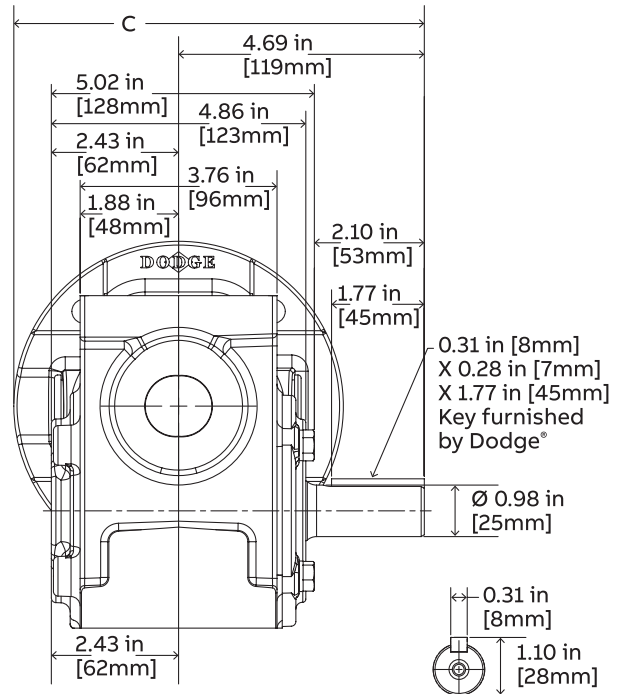
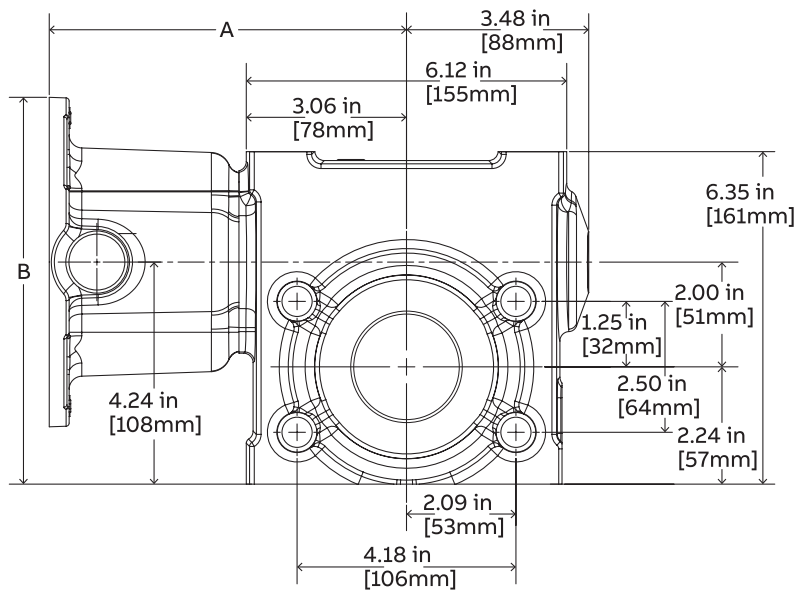
Ratings and dimensions

Metric Tigear®-2 reducers – Size 20 Solid output

Metric Reducers – Ratings & Dimensions
Ratio multiplier
Accessories
Competitor interchange
Renewal parts
Part number index

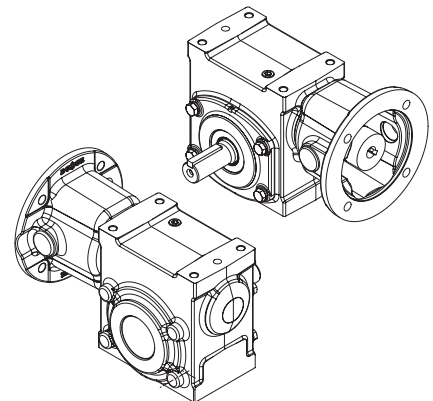


LR - Double extension or R - Reversed direction



IEC71 Input Shown

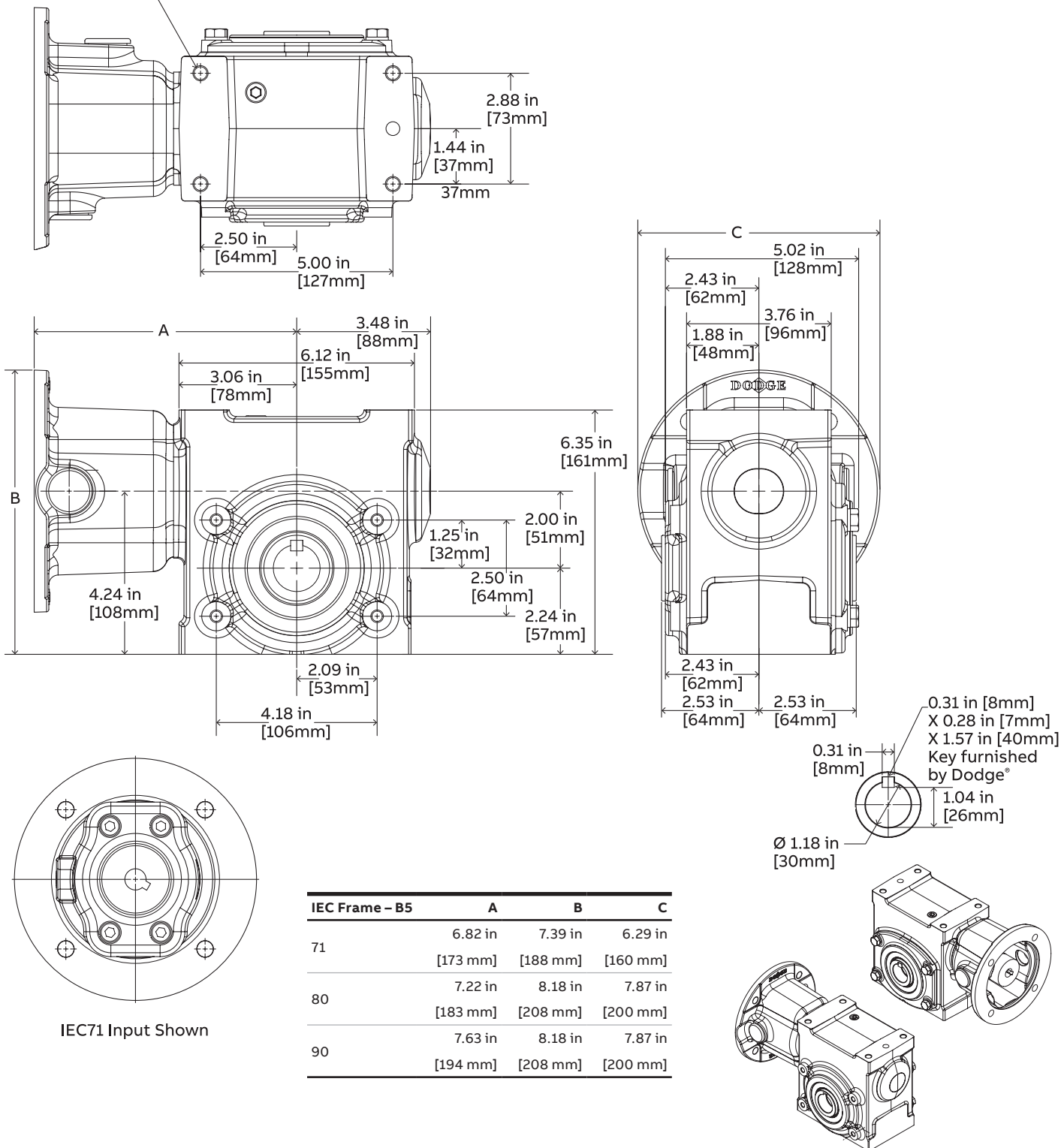
IEC Frame – B5	A	B	C
71	6.82 in [173 mm]	7.39 in [188 mm]	7.84 in [199 mm]
80	7.22 in [183 mm]	8.18 in [208 mm]	8.63 in [219 mm]
90	7.63 in [194 mm]	8.18 in [208 mm]	8.63 in [219 mm]



Ratings and dimensions

Metric Tigear®-2 reducers – Size 20 Hollow output

M10 X 1.5 Tapped holes
(4) Places, top & bottom



Ratings and dimensions

Metric Tigear®-2 reducers – Size 23

Metric Tigear-2 – Size 23 – 50 Hz ratings

Ratio	Output RPM	Rating data				Part number	Shaft position
		1450 input RPM	IEC71	IEC80	IEC90		
5	290	Mechanical input kW	3.38	23MA05L80	23MA05L90	23MA05L100	L
		Thermal input kW	4.93	23MA05R80	23MA05R90	23MA05R100	R
		Output torque (Nm)	104	23MA05LR80	23MA05LR90	23MA05LR100	LR
		Mechanical output kW	3.14	23MA05H80	23MA05H90	23MA05H100	Hollow
		Output OHL (kgs)	603				
7.5	193	Mechanical input kW	2.65	23MA07L80	23MA07L90	23MA07L100	L
		Thermal input kW	4.21	23MA07R80	23MA07R90	23MA07R100	R
		Output torque (Nm)	121	23MA07LR80	23MA07LR90	23MA07LR100	LR
		Mechanical output kW	2.44	23MA07H80	23MA07H90	23MA07H100	Hollow
		Output OHL (kgs)	689				
10	145	Mechanical input kW	2.20	23MA10L80	23MA10L90	23MA10L100	L
		Thermal input kW	3.28	23MA10R80	23MA10R90	23MA10R100	R
		Output torque (Nm)	130	23MA10LR80	23MA10LR90	23MA10LR100	LR
		Mechanical output kW	1.97	23MA10H80	23MA10H90	23MA10H100	Hollow
		Output OHL (kgs)	689				
15	97	Mechanical input kW	1.65	23MA15L80	23MA15L90	23MA15L100	L
		Thermal input kW	2.46	23MA15R80	23MA15R90	23MA15R100	R
		Output torque (Nm)	141	23MA15LR80	23MA15LR90	23MA15LR100	LR
		Mechanical output kW	1.43	23MA15H80	23MA15H90	23MA15H100	Hollow
		Output OHL (kgs)	689				
20	73	Mechanical input kW	1.30	23MA20L80	23MA20L90	23MA20L100	L
		Thermal input kW	1.95	23MA20R80	23MA20R90	23MA20R100	R
		Output torque (Nm)	140	23MA20LR80	23MA20LR90	23MA20LR100	LR
		Mechanical output kW	1.06	23MA20H80	23MA20H90	23MA20H100	Hollow
		Output OHL (kgs)	689				
25	58	Mechanical input kW	1.07	23MA25L80	23MA25L90	23MA25L100	L
		Thermal input kW	1.61	23MA25R80	23MA25R90	23MA25R100	R
		Output torque (Nm)	141	23MA25LR80	23MA25LR90	23MA25LR100	LR
		Mechanical output kW	0.86	23MA25H80	23MA25H90	23MA25H100	Hollow
		Output OHL (kgs)	689				
30	48	Mechanical input kW	0.92	23MA30L80	23MA30L90	23MA30L100	L
		Thermal input kW	1.54	23MA30R80	23MA30R90	23MA30R100	R
		Output torque (Nm)	142	23MA30LR80	23MA30LR90	23MA30LR100	LR
		Mechanical output kW	0.72	23MA30H80	23MA30H90	23MA30H100	Hollow
		Output OHL (kgs)	689				

Note: Ratios 40, 50, and 60 available upon request.

Ratings and dimensions

Metric Tigear®-2 reducers – Size 23

Metric Tigear-2 – Size 23 – 60 Hz ratings

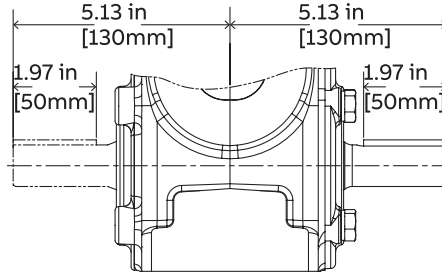
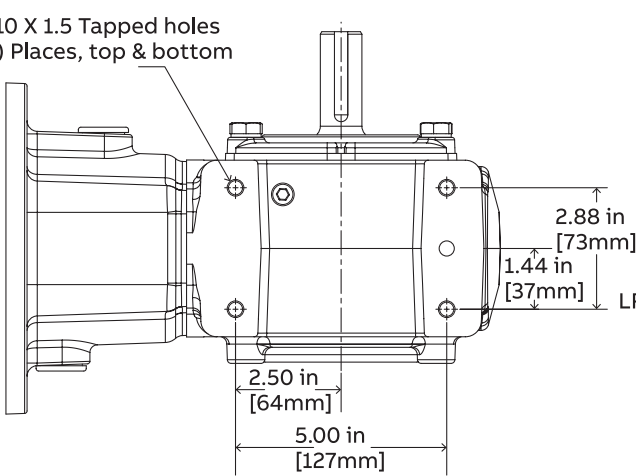
Ratio	Output RPM		Rating data			Part number		Shaft position
			1750 input RPM	IEC71	IEC80	IEC90	IEC100	
5	350	Mechanical input kW	3.91		23MA05L80	23MA05L90	23MA05L100	L
		Thermal input kW	4.93		23MA05R80	23MA05R90	23MA05R100	R
		Output torque (Nm)	100		23MA05LR80	23MA05LR90	23MA05LR100	LR
		Mechanical output kW	3.65		23MA05H80	23MA05H90	23MA05H100	Hollow
		Output OHL (kgs)	603					
7.5	233	Mechanical input kW	3.12		23MA07L80	23MA07L90	23MA07L100	L
		Thermal input kW	4.21		23MA07R80	23MA07R90	23MA07R100	R
		Output torque (Nm)	116		23MA07LR80	23MA07LR90	23MA07LR100	LR
		Mechanical output kW	2.87		23MA07H80	23MA07H90	23MA07H100	Hollow
		Output OHL (kgs)	689					
10	175	Mechanical input kW	2.55		23MA10L80	23MA10L90	23MA10L100	L
		Thermal input kW	3.28		23MA10R80	23MA10R90	23MA10R100	R
		Output torque (Nm)	125		23MA10LR80	23MA10LR90	23MA10LR100	LR
		Mechanical output kW	2.29		23MA10H80	23MA10H90	23MA10H100	Hollow
		Output OHL (kgs)	689					
15	117	Mechanical input kW	1.92		23MA15L80	23MA15L90	23MA15L100	L
		Thermal input kW	2.46		23MA15R80	23MA15R90	23MA15R100	R
		Output torque (Nm)	135		23MA15LR80	23MA15LR90	23MA15LR100	LR
		Mechanical output kW	1.66		23MA15H80	23MA15H90	23MA15H100	Hollow
		Output OHL (kgs)	689					
20	88	Mechanical input kW	1.49		23MA20L80	23MA20L90	23MA20L100	L
		Thermal input kW	1.95		23MA20R80	23MA20R90	23MA20R100	R
		Output torque (Nm)	133		23MA20LR80	23MA20LR90	23MA20LR100	LR
		Mechanical output kW	1.23		23MA20H80	23MA20H90	23MA20H100	Hollow
		Output OHL (kgs)	689					
25	70	Mechanical input kW	1.23		23MA25L80	23MA25L90	23MA25L100	L
		Thermal input kW	1.61		23MA25R80	23MA25R90	23MA25R100	R
		Output torque (Nm)	134		23MA25LR80	23MA25LR90	23MA25LR100	LR
		Mechanical output kW	0.98		23MA25H80	23MA25H90	23MA25H100	Hollow
		Output OHL (kgs)	689					
30	58	Mechanical input kW	1.06		23MA30L80	23MA30L90	23MA30L100	L
		Thermal input kW	1.54		23MA30R80	23MA30R90	23MA30R100	R
		Output torque (Nm)	136		23MA30LR80	23MA30LR90	23MA30LR100	LR
		Mechanical output kW	0.82		23MA30H80	23MA30H90	23MA30H100	Hollow
		Output OHL (kgs)	689					

Note: Ratios 40, 50, and 60 available upon request.

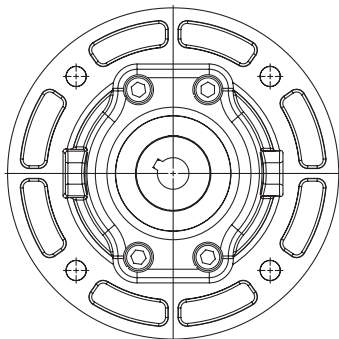
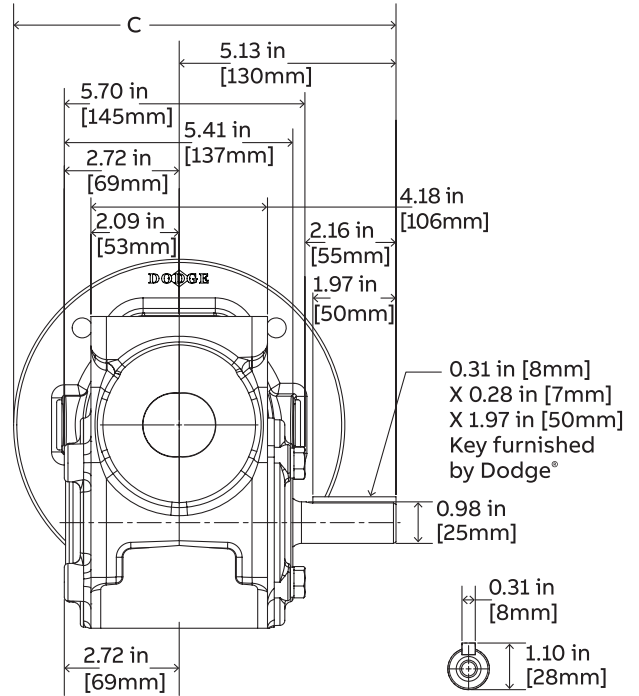
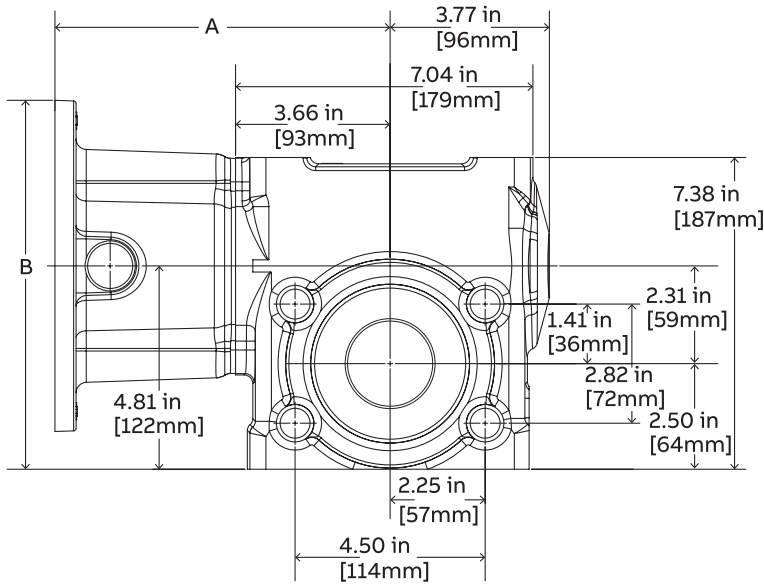
Ratings and dimensions

Metric Tigear®-2 reducers – Size 23 Solid output

M10 X 1.5 Tapped holes
(4) Places, top & bottom

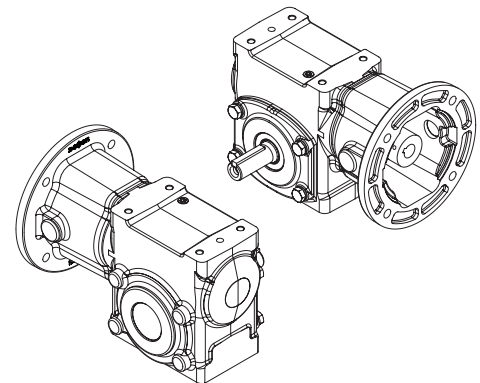


LR - Double extension or R - Reversed extension



IEC80 Input Shown

IEC Frame – B5	A	B	C
80	7.93 in [202 mm]	8.73 in [222 mm]	9.07 in [230 mm]
90	8.34 in [212 mm]	8.73 in [222 mm]	9.07 in [230 mm]
100	8.75 in [222 mm]	9.73 in [247 mm]	10.07 in [256 mm]



Metric Reducers –
Ratings & Dimensions

Ratio multiplier

Accessories

Competitor interchange

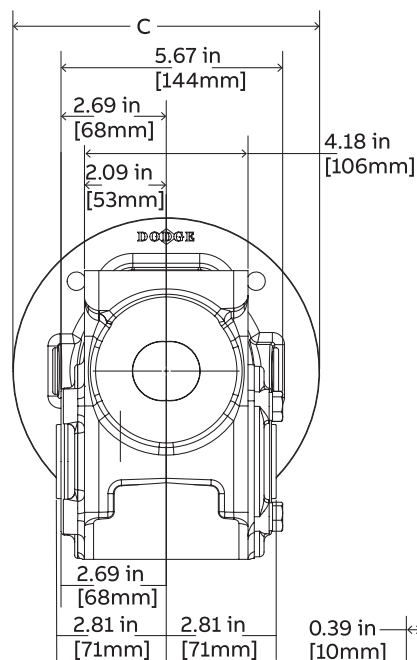
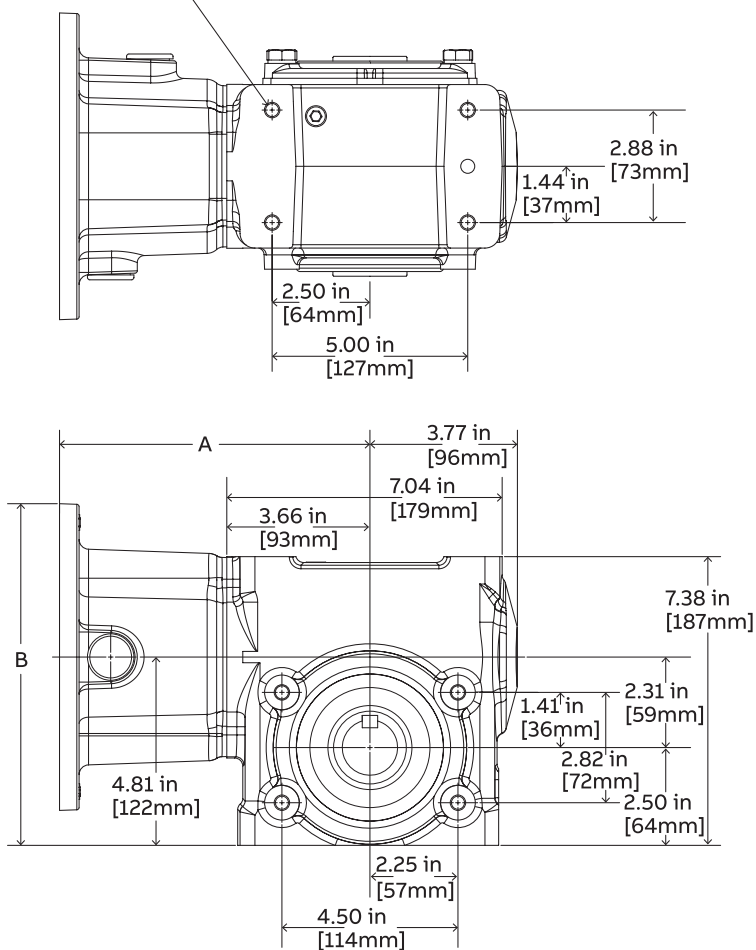
Renewal parts

Part number index

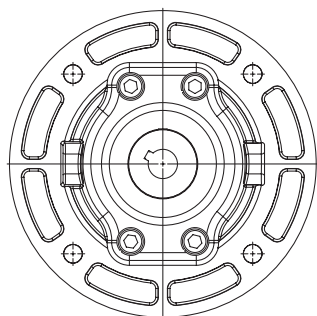
Ratings and dimensions

Metric Tigear®-2 reducers – Size 23 Hollow output

M10 X 1.5 Tapped holes
(4) Places, top & bottom

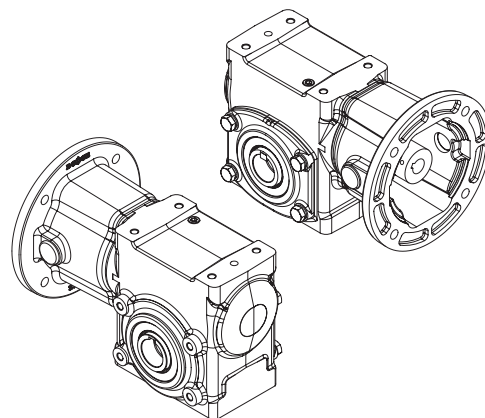


0.39 in [10mm]
X 0.31 in [8mm]
X 2.20 in [56mm]
Key furnished
by Dodge®



IEC80 Input Shown

IEC Frame – B5	A	B	C
80	7.93 in [202 mm]	8.73 in [222 mm]	7.87 in [200 mm]
90	8.34 in [212 mm]	8.73 in [222 mm]	7.87 in [200 mm]
100	8.75 in [222 mm]	9.73 in [247 mm]	9.84 in [250 mm]



Ratings and dimensions

Metric Tigear®-2 reducers – Size 26

Metric Tigear-2 – Size 26 – 50 Hz ratings

Ratio	Output RPM	Rating data			Part number		Shaft position
		1450 input RPM	IEC71	IEC80	IEC90	IEC100	
5	290	Mechanical input kW	4.77		26MA05L90	26MA05L100	L
		Thermal input kW	6.55		26MA05R90	26MA05R100	R
		Output torque (Nm)	148		26MA05LR90	26MA05LR100	LR
		Mechanical output kW	4.49		26MA05H90	26MA05H100	Hollow
		Output OHL (kgs)	626				
7.5	193	Mechanical input kW	3.79		26MA07L90	26MA07L100	L
		Thermal input kW	5.14		26MA07R90	26MA07R100	R
		Output torque (Nm)	173		26MA07LR90	26MA07LR100	LR
		Mechanical output kW	3.50		26MA07H90	26MA07H100	Hollow
		Output OHL (kgs)	730				
10	145	Mechanical input kW	3.14		26MA10L90	26MA10L100	L
		Thermal input kW	4.18		26MA10R90	26MA10R100	R
		Output torque (Nm)	187		26MA10LR90	26MA10LR100	LR
		Mechanical output kW	2.84		26MA10H90	26MA10H100	Hollow
		Output OHL (kgs)	730				
15	97	Mechanical input kW	2.35		26MA15L90	26MA15L100	L
		Thermal input kW	3.09		26MA15R90	26MA15R100	R
		Output torque (Nm)	203		26MA15LR90	26MA15LR100	LR
		Mechanical output kW	2.05		26MA15H90	26MA15H100	Hollow
		Output OHL (kgs)	730				
20	73	Mechanical input kW	1.79		26MA20L90	26MA20L100	L
		Thermal input kW	2.77		26MA20R90	26MA20R100	R
		Output torque (Nm)	201		26MA20LR90	26MA20LR100	LR
		Mechanical output kW	1.53		26MA20H90	26MA20H100	Hollow
		Output OHL (kgs)	730				
25	58	Mechanical input kW	1.50		26MA25L90	26MA25L100	L
		Thermal input kW	2.24		26MA25R90	26MA25R100	R
		Output torque (Nm)	202		26MA25LR90	26MA25LR100	LR
		Mechanical output kW	1.23		26MA25H90	26MA25H100	Hollow
		Output OHL (kgs)	730				
30	48	Mechanical input kW	1.30		26MA30L90	26MA30L100	L
		Thermal input kW	2.08		26MA30R90	26MA30R100	R
		Output torque (Nm)	204		26MA30LR90	26MA30LR100	LR
		Mechanical output kW	1.03		26MA30H90	26MA30H100	Hollow
		Output OHL (kgs)	730				

Note: Ratios 40, 50, and 60 available upon request.

Ratings and dimensions

Metric Tigear®-2 reducers – Size 26

Metric Tigear-2 – Size 26 – 60 Hz ratings

Ratio	Output RPM	Rating data			Part number		Shaft position
		1750 input RPM	IEC71	IEC80	IEC90	IEC100	
5	350	Mechanical input kW	5.50		26MA05L90	26MA05L100	L
		Thermal input kW	6.55		26MA05R90	26MA05R100	R
		Output torque (Nm)	141		26MA05LR90	26MA05LR100	LR
		Mechanical output kW	5.16		26MA05H90	26MA05H100	Hollow
		Output OHL (kgs)	626				
7.5	233	Mechanical input kW	4.41		26MA07L90	26MA07L100	L
		Thermal input kW	5.14		26MA07R90	26MA07R100	R
		Output torque (Nm)	165		26MA07LR90	26MA07LR100	LR
		Mechanical output kW	4.08		26MA07H90	26MA07H100	Hollow
		Output OHL (kgs)	730				
10	175	Mechanical input kW	3.60		26MA10L90	26MA10L100	L
		Thermal input kW	4.18		26MA10R90	26MA10R100	R
		Output torque (Nm)	178		26MA10LR90	26MA10LR100	LR
		Mechanical output kW	3.26		26MA10H90	26MA10H100	Hollow
		Output OHL (kgs)	730				
15	117	Mechanical input kW	2.70		26MA15L90	26MA15L100	L
		Thermal input kW	3.09		26MA15R90	26MA15R100	R
		Output torque (Nm)	193		26MA15LR90	26MA15LR100	LR
		Mechanical output kW	2.36		26MA15H90	26MA15H100	Hollow
		Output OHL (kgs)	730				
20	88	Mechanical input kW	2.02		26MA20L90	26MA20L100	L
		Thermal input kW	2.77		26MA20R90	26MA20R100	R
		Output torque (Nm)	189		26MA20LR90	26MA20LR100	LR
		Mechanical output kW	1.73		26MA20H90	26MA20H100	Hollow
		Output OHL (kgs)	730				
25	70	Mechanical input kW	1.69		26MA25L90	26MA25L100	L
		Thermal input kW	2.24		26MA25R90	26MA25R100	R
		Output torque (Nm)	189		26MA25LR90	26MA25LR100	LR
		Mechanical output kW	1.39		26MA25H90	26MA25H100	Hollow
		Output OHL (kgs)	730				
30	58	Mechanical input kW	1.49		26MA30L90	26MA30L100	L
		Thermal input kW	2.08		26MA30R90	26MA30R100	R
		Output torque (Nm)	193		26MA30LR90	26MA30LR100	LR
		Mechanical output kW	1.18		26MA30H90	26MA30H100	Hollow
		Output OHL (kgs)	730				

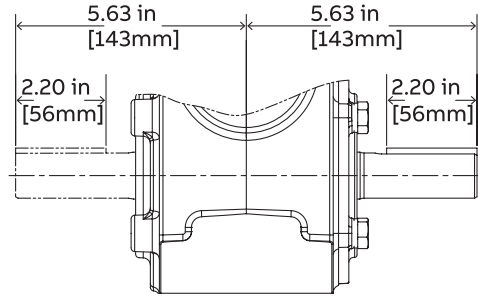
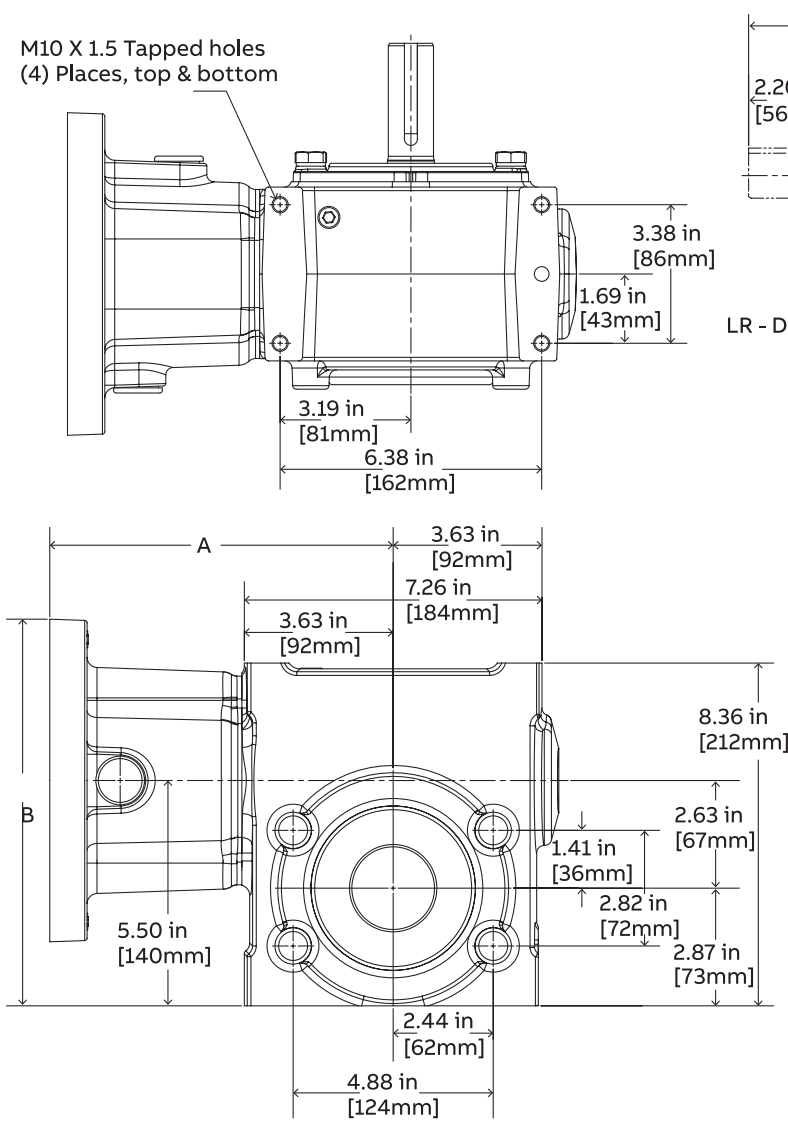
Note: Ratios 40, 50, and 60 available upon request.

Ratings and dimensions

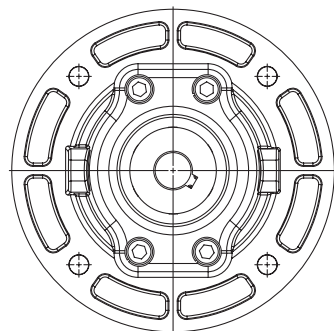
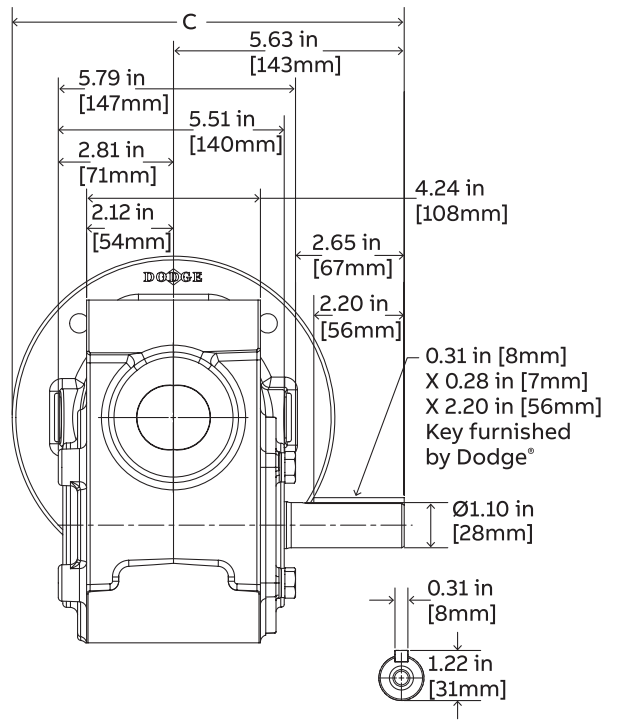
Metric Tigear®-2 reducers – Size 26 Solid output

Metric Reducers – Ratings & Dimensions
Ratio multiplier
Accessories
Competitor interchange
Renewal parts
Part number index

M10 X 1.5 Tapped holes
(4) Places, top & bottom

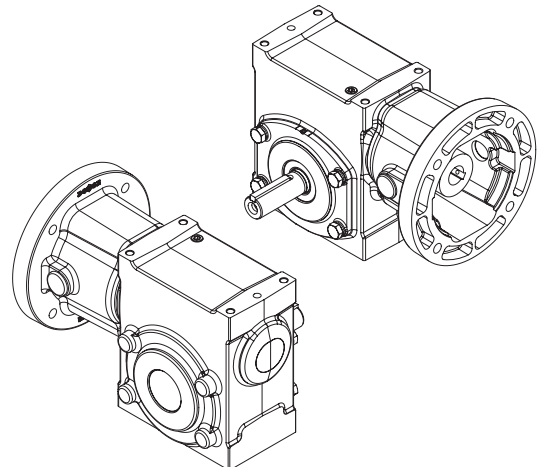


LR - Double extension or R - Reversed extension



IEC90 Input Shown

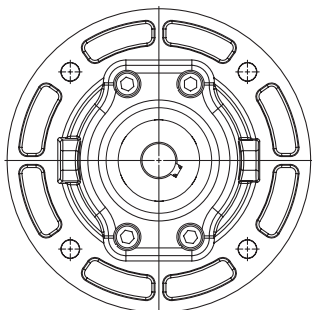
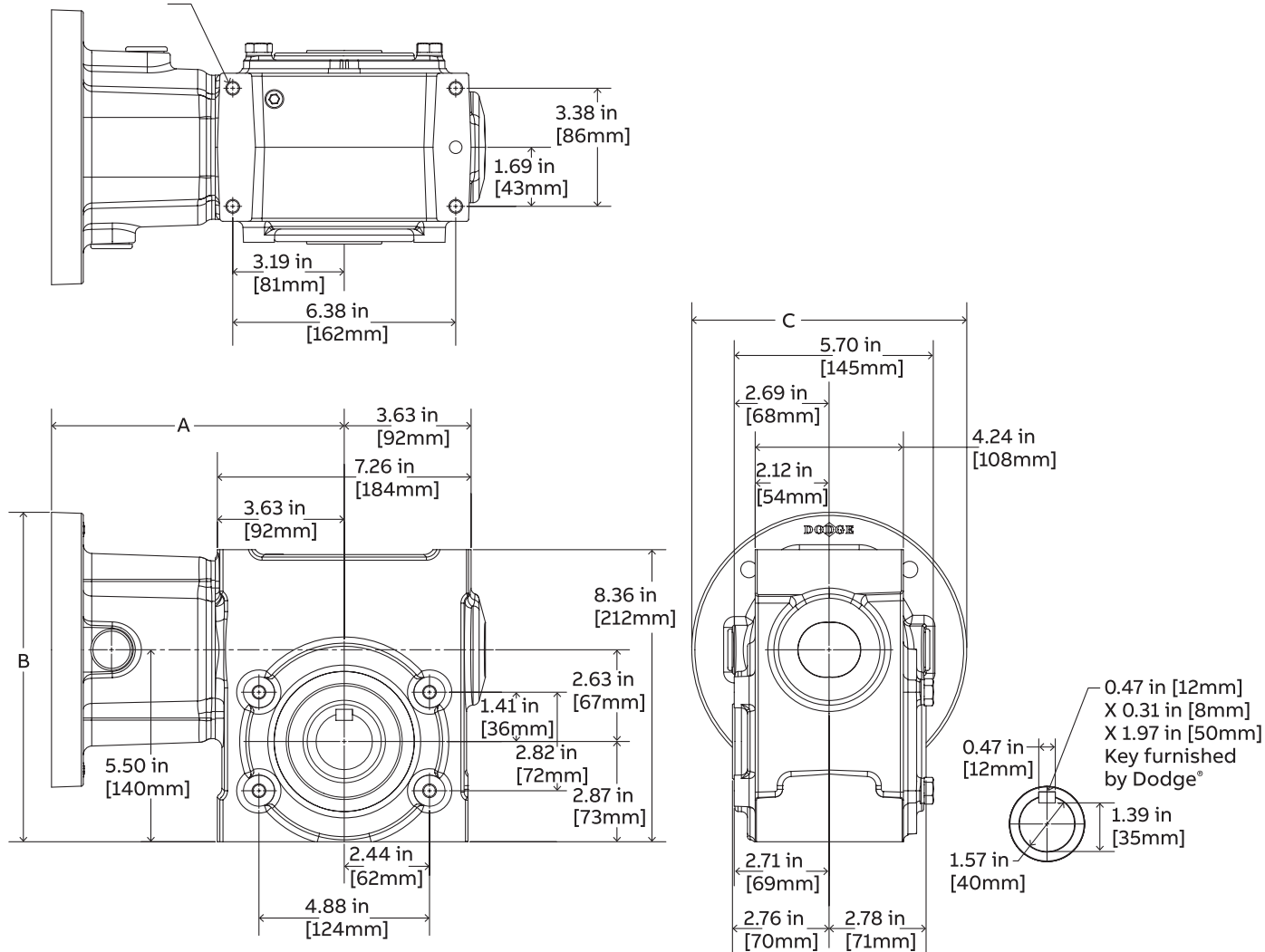
IEC Frame – B5	A	B	C
90	8.38 in [213 mm]	9.43 in [240 mm]	9.56 in [243 mm]
100	8.78 in [223 mm]	10.41 in [265 mm]	10.54 in [268 mm]



Ratings and dimensions

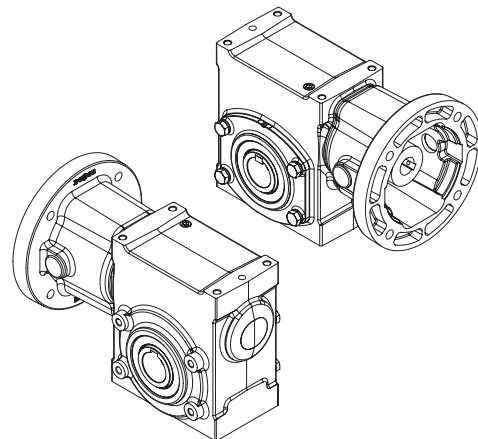
Metric Tigear®-2 reducers – Size 26 Hollow output

M10 X 1.5 Tapped holes
(4) Places, top & bottom



IEC90 Input Shown

IEC Frame – B5	A	B	C
90	8.38 in [213 mm]	9.43 in [240 mm]	7.87 in [200 mm]
100	8.78 in [223 mm]	10.41 in [265 mm]	9.84 in [250 mm]



Tigear®-2 ratio multiplier

Quick selections

Quick selections: Ratio multiplier and Tigear-2 assemblies

Overall ratio	Output RPM	Motor Hp	Output Torque	SF	HA Part number	Tigear-2 part number			
						Output shaft configuration			
						Solid shaft Left	Solid shaft Right	Solid shaft Left/Right	Hollow shaft
75	23.33	0.25	546	1.17	156HA556	17Q15L56	17Q15R56	17Q15LR56	17Q15H56
		0.33	729	1.30	156HA556	20Q15L56	20Q15R56	20Q15LR56	20Q15H56
		0.5	1105	1.33	156HA556	23Q15L56	23Q15R56	23Q15LR56	23Q15H56
		0.75	1676	1.31	256HA514	26Q15L14	26Q15R14	26Q15LR14	26Q15H14
		1	2235	1.43	256HA514	30Q15L14	30Q15R14	30Q15LR14	30Q15H14
		1.5	3353	1.55	214HA514	35Q15L14	35Q15R14	35Q15LR14	35Q15H14
80	21.88	0.25	556	1.19	156HA456	17Q20L56	17Q20R56	17Q20LR56	17Q20H56
		0.33	742	1.32	156HA456	20Q20L56	20Q20R56	20Q20LR56	20Q20H56
		0.5	1139	1.34	156HA456	23Q20L56	23Q20R56	23Q20LR56	23Q20H56
		0.75	1728	1.32	256HA414	26Q20L14	26Q20R14	26Q20LR14	26Q20H14
		1	2305	1.55	256HA414	30Q20L14	30Q20R14	30Q20LR14	30Q20H14
		1.5	3457	1.55	214HA414	35Q20L14	35Q20R14	35Q20LR14	35Q20H14
100	17.5	0.25	736	1.29	156HA556	20Q20L56	20Q20R56	20Q20LR56	20Q20H56
		0.33	928	1.06	156HA556	20Q20L56	20Q20R56	20Q20LR56	20Q20H56
		0.5	1423	1.07	156HA556	23Q20L56	23Q20R56	23Q20LR56	23Q20H56
		0.75	2161	1.05	256HA514	26Q20L14	26Q20R14	26Q20LR14	26Q20H14
		1	2881	1.24	256HA514	30Q20L14	30Q20R14	30Q20LR14	30Q20H14
		1.5	4321	1.24	214HA514	35Q20L14	35Q20R14	35Q20LR14	35Q20H14
120	14.58	0.25	782	1.24	156HA456	20Q30L56	20Q30R56	20Q30LR56	20Q30H56
		0.33	1046	1.44	156HA456	23Q30L56	23Q30R56	23Q30LR56	23Q30H56
		0.5	1605	1.41	156HA456	26Q30L56	26Q30R56	26Q30LR56	26Q30H56
		0.75	2408	1.33	256HA414	30Q30L14	30Q30R14	30Q30LR14	30Q30H14
		1	3211	1.66	256HA414	35Q30L14	35Q30R14	35Q30LR14	35Q30H14
		1.5	4816	1.11	214HA414	35Q30L14	35Q30R14	35Q30LR14	35Q30H14
125	14	0.25	836	1.19	156HA556	20Q25L56	20Q25R56	20Q25LR56	20Q25H56
		0.33	1104	1.40	156HA556	23Q25L56	23Q25R56	23Q25LR56	23Q25H56
		0.5	1715	1.35	156HA556	26Q25L56	26Q25R56	26Q25LR56	26Q25H56
		0.75	2572	1.28	256HA514	30Q25L14	30Q25R14	30Q25LR14	30Q25H14
		1	3430	1.57	256HA514	35Q25L14	35Q25R14	35Q25LR14	35Q25H14
		1.5	5145	1.46	214HA514	40Q25L14	40Q25R14	40Q25LR14	40Q25H14
150	11.67	0.25	990	1.52	156HA556	23Q30L56	23Q30R56	23Q30LR56	23Q30H56
		0.33	1307	1.15	156HA556	23Q30L56	23Q30R56	23Q30LR56	23Q30H56
		0.5	2007	1.13	156HA556	26Q30L56	26Q30R56	26Q30LR56	26Q30H56
		0.75	3010	1.06	256HA514	30Q30L14	30Q30R14	30Q30LR14	30Q30H14
		1	4013	1.33	256HA514	35Q30L14	35Q30R14	35Q30LR14	35Q30H14
		1.5	6020	1.25	214HA514	40Q30L14	40Q30R14	40Q30LR14	40Q30H14
160	10.94	0.25	976	1.55	156HA456	23Q40L56	23Q40R56	23Q40LR56	23Q40H56
		0.33	1288	1.17	156HA456	23Q40L56	23Q40R56	23Q40LR56	23Q40H56
		0.5	2006	1.13	156HA456	26Q40L56	26Q40R56	26Q40LR56	26Q40H56
		0.75	3009	1.18	256HA414	30Q40L14	30Q40R14	30Q40LR14	30Q40H14
		1	4013	1.33	256HA414	35Q40L14	35Q40R14	35Q40LR14	35Q40H14
		1.5	6019	1.25	214HA414	40Q40L14	40Q40R14	40Q40LR14	40Q40H14

Metric Reducers – Ratings & Dimensions

Ratio multiplier

Accessories

Competitor interchange

Renewal parts

Part number index

Tigear®-2 ratio multiplier

Quick selections

Quick selections: Ratio multiplier and Tigear-2 assemblies

Overall ratio	Output RPM	Motor Hp	Output Torque	SF	HA Part number	Tigear-2 part number			
						Output shaft configuration			
						Solid shaft Left	Solid shaft Right	Solid shaft Left/Right	Hollow shaft
200	8.75	0.25	1220	1.24	156HA556	23Q40L56	23Q40R56	23Q40LR56	23Q40H56
		0.33	1655	1.37	156HA556	26Q40L56	26Q40R56	26Q40LR56	26Q40H56
		0.5	2508	1.41	156HA556	30Q40L56	30Q40R56	30Q40LR56	30Q40H56
		0.75	3762	1.42	256HA514	35Q40L14	35Q40R14	35Q40LR14	35Q40H14
		1	5016	1.06	256HA514	35Q40L14	35Q40R14	35Q40LR14	35Q40H14
240	7.29	0.25	1260	1.11	156HA456	23Q60L56	23Q60R56	23Q60LR56	23Q60H56
		0.33	1718	1.21	156HA456	26Q60L56	26Q60R56	26Q60LR56	26Q60H56
		0.5	2603	1.09	156HA456	30Q60L56	30Q60R56	30Q60LR56	30Q60H56
		0.75	3904	1.22	256HA414	35Q60L14	35Q60R14	35Q60LR14	35Q60H14
		1	5206	1.28	256HA414	40Q60L14	40Q60R14	40Q60LR14	40Q60H14
250	7	0.25	1439	1.53	156HA556	26Q50L56	26Q50R56	26Q50LR56	26Q50H56
		0.33	1900	1.16	156HA556	26Q50L56	26Q50R56	26Q50LR56	26Q50H56
		0.5	2878	1.14	156HA556	30Q50L56	30Q50R56	30Q50LR56	30Q50H56
		0.75	4317	1.19	256HA514	35Q50L14	35Q50R14	35Q50LR14	35Q50H14
		1	5756	1.25	256HA514	40Q50L14	40Q50R14	40Q50LR14	40Q50H14
300	5.83	0.25	1627	1.28	156HA556	26Q60L56	26Q60R56	26Q60LR56	26Q60H56
		0.33	2147	1.32	156HA556	30Q60L56	30Q60R56	30Q60LR56	30Q60H56
		0.5	3254	1.46	156HA556	35Q60L56	35Q60R56	35Q60LR56	35Q60H56
		0.75	4881	1.36	256HA514	40Q60L14	40Q60R14	40Q60LR14	40Q60H14

Metric Reducers – Ratings & Dimensions

Ratio multiplier

Accessories

Competitor interchange

Renewal parts

Part number index

Tigear®-2 ratio multiplier

Dimensions

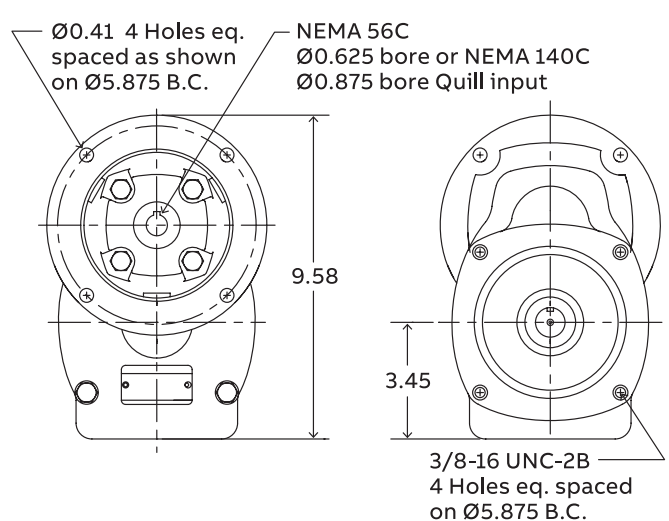
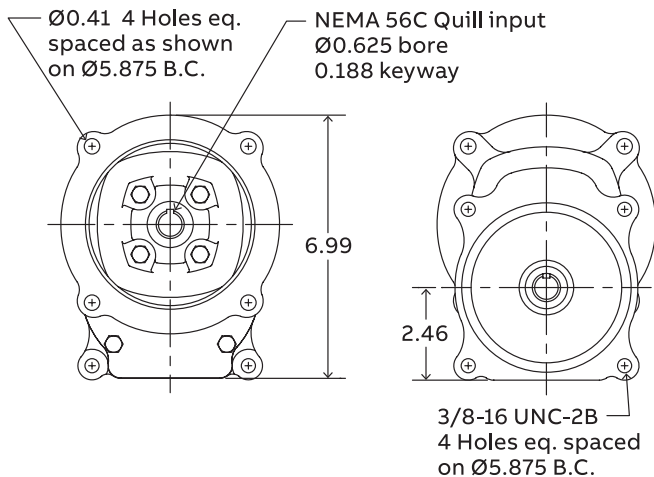
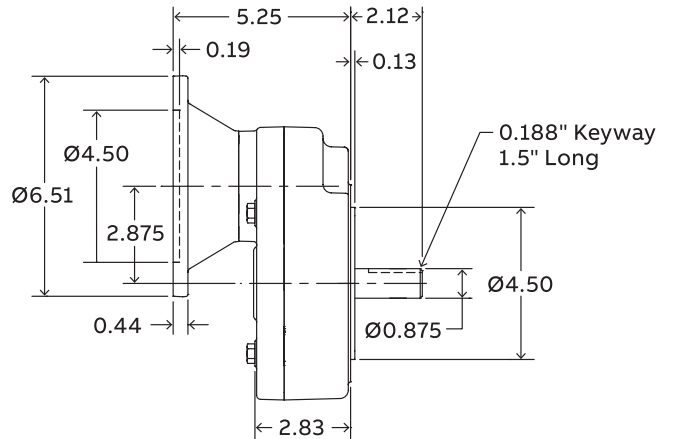
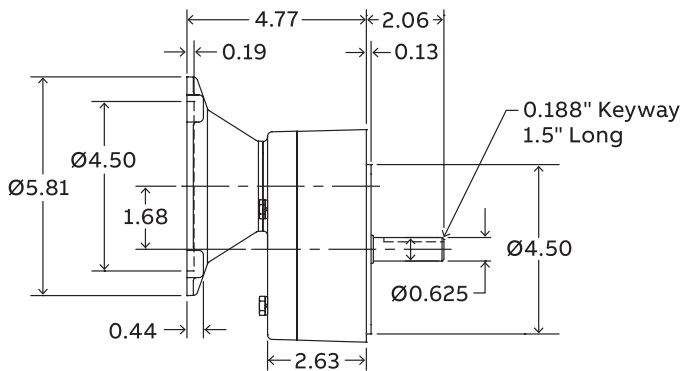
Size 1 & 2 helical single reduction

Size	Ratio	Part number	E-Z Kleen® Part number	Input RPM	Output RPM	Input Hp	Output Hp	Output torque (lb. in.)	Output OHL (lbs.)	Input style	Output style
1	2	156HA256	156HAZ256	1750	875	2.06	1.96	141	173	56C	56C
1	3	156HA356	156HAZ356	1750	583	1.70	1.62	175	203	56C	56C
1	4	156HA456	156HAZ456	1750	438	1.50	1.42	205	224	56C	56C
1	5	156HA556	156HAZ556	1750	350	1.13	1.08	194	247	56C	56C
2	5	256HA556	256HAZ556	1750	350	5.40	5.17	931	360	56C	56C
2	4	256HA414	256HAZ414	1750	438	6.34	6.15	885	445	56C	140TC
2	5	256HA514	256HAZ514	1750	350	5.40	5.17	931	360	56C	140TC
2	2	214HA214	214HAZ214	1750	875	12.42	12.17	877	445	140TC	140TC
2	3	214HA314	214HAZ314	1750	583	8.68	8.42	911	445	140TC	140TC
2	4	214HA414	214HAZ414	1750	438	6.34	6.15	885	445	140TC	140TC
2	5	214HA514	214HAZ514	1750	350	5.40	5.17	931	360	140TC	140TC

Note: For ratio multiplier, Dodge® recommends the use of TEFC motors. These units are intended for horizontal mount only in the position shown below. Contact Dodge for any other mounting position.

Size 1

Size 2



Metric Reducers – Ratings & Dimensions

Ratio multiplier

Accessories

Competitor interchange

Renewal parts

Part number index

Accessories

Tigear®-2 Motor adapter kit

Tigear-2 motor adapter kits are available to convert a separate shaft input reducer to a 3-piece coupled input reducer. Kits listed at right include the motor adapter housing, 3-piece coupling and all required mounting hardware.

Tigear-2 motor adapter kits cannot be used with the old Adaptable or Separate series Tigear reducers.

Reducer size	Motor frame				250TC
	56C	140TC	180TC	210TC	
13	1315MTR56	1315MTR14	-	-	-
15	1315MTR56	1315MTR14	-	-	-
17	1720MTR56	1720MTR14	-	-	-
20	1720MTR56	1720MTR14	-	-	-
23	2332MTR56	2332MTR14	2332MTR18	-	-
26	2332MTR56	2332MTR14	2332MTR18	-	-
30	2332MTR56	2332MTR14	2332MTR18	-	-
32	2332MTR56	2332MTR14	2332MTR18	-	-
35	3538MTR56	3538MTR14	3538MTR18	3538MTR21	-
38	3538MTR56	3538MTR14	3538MTR18	3538MTR21	-
40	-	4047MTR14	4047MTR18	4047MTR21	4047MTR25
47	-	4047MTR14	4047MTR18	4047MTR21	4047MTR25



Accessories

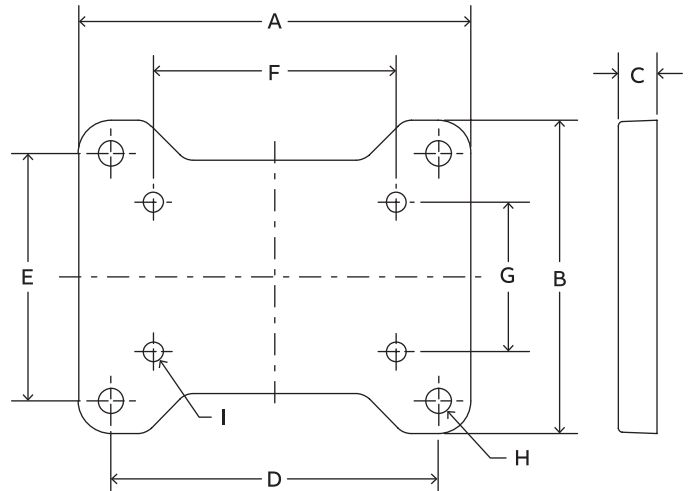
Tigear®-2 Bolt-on base kits

All Tigear-2 reducers include top and bottom drilled and tapped mounting holes but do not include base. Each kit below includes the base and required mounting hardware.

Reducer size	Standard kit number	Standard spacer kit number (1)	E-Z Kleen® kit number	Stainless steel Food Safe kit (4)
13	13BASE	Not Required	13ZBASE	-
15	15BASE	Not Required	15ZBASE	-
17	17BASE	Not Required	17ZBASE	17SBASE
20	20BASE	Not Required	20ZBASE	20SBASE
21B	21BBASE	Not Required	21BZBASE	-
23 (1)	23BASE	2326SPACER	23ZBASE	23SBASE
26 (1)	26BASE	2326SPACER	26ZBASE	26SBASE
30 (1)	30BASE	3035SPACER	30ZBASE	30SBASE
32	32BASE	-	32ZBASE	-
35 (1)	35BASE	3035SPACER	35ZBASE	-
38	38BASE	-	-	-
40 (1)	40BASE	40SPACER	-	-
47	47BASE	Not Required	-	-

Note: (1) If base is to be mounted on top of reducer, spacer kit listed above will also be required to allow clearance of base and motor adapter housing. Currently not available with E-Z Kleen coating or stainless steel material.

(4) Because of new rounded housing design of Stainless reducer, top mounting is not available.



Size	A	B	C	D	E	F	G	H	I
13	5.25	4.19	0.52	4.38	3.31	3.25	2.00	0.34	0.28
15	6.13	5.19	0.61	5.25	4.31	3.50	2.25	0.44	0.28
17	6.94	5.56	0.74 (3)	5.88 (3)	4.50	4.19	2.75	0.41	0.34
20	7.26	5.66	0.74 (3)	6.20 (3)	4.60	5.00	2.88	0.50	0.41
21B	7.75	5.94	0.72	6.38	4.69	4.75	3.00	0.35	0.47
23	8.32	6.14	0.75	7.06	4.88	5.00	2.88	0.47	0.41
26	9.25	6.50	0.79/0.72 (2)	8.00	5.25	6.38	3.38	0.56	0.41
30	9.68	7.12	0.75	8.44	5.88	7.00	4.00	0.53	0.49
32	11.19	7.66	0.88	9.50	6.13	7.50	4.00	0.53	0.47
35	10.75	7.38	1.00	9.50	6.13	7.50	4.00	0.58	0.47
38	11.27	7.78	0.88	9.50	6.12	8.50	4.75	0.54	0.54
40	12.62	9.13	1.00	11.12	7.63	8.50	5.00	0.66	0.66
47	16.00	10.26	1.13	14.12	8.38	11.00	5.81	0.78	0.66

Notes: (2) C dimension for 26BASE and 26ZBASE is 0.79. C dimension for 26SBASE is 0.72

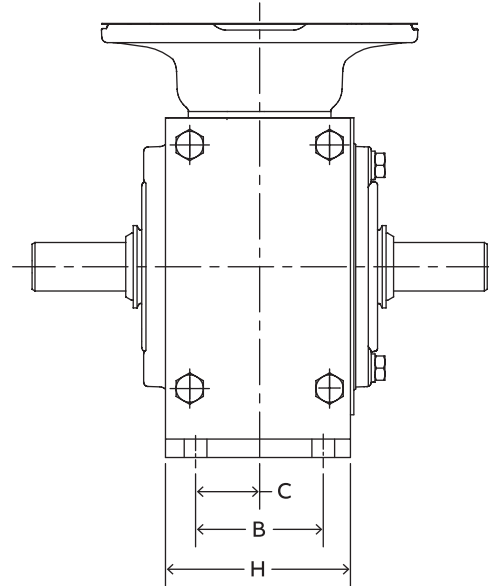
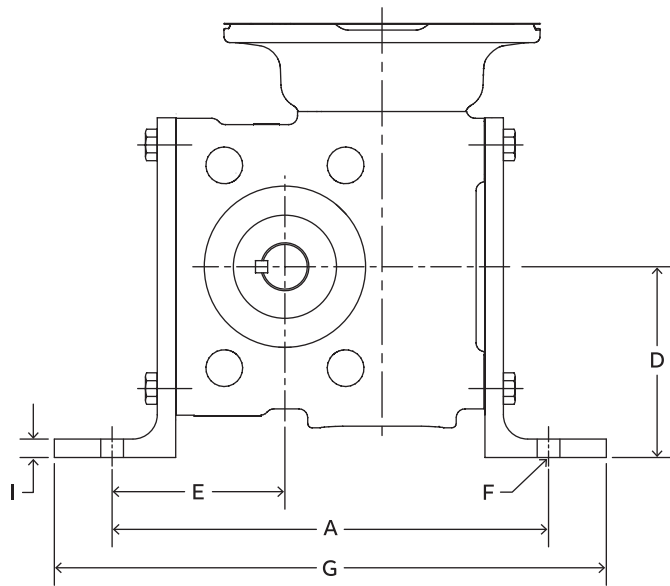
(3) Sizes 17 and 20 have slotted mounting holes. Size 17 slotted horizontally +/-0.06.

Size 17 slotted horizontally +/-0.06. Size 20 slotted 30 degree from horizontal +/-0.12 (see photo above left).

Accessories

Tigear®-2 J-mount base kits

J-mount kits allow the reducer to be “floor” mounted with the motor in a vertical (up) position. In this configuration the output shaft(s) is horizontal. Each kit includes the brackets and required mounting hardware.



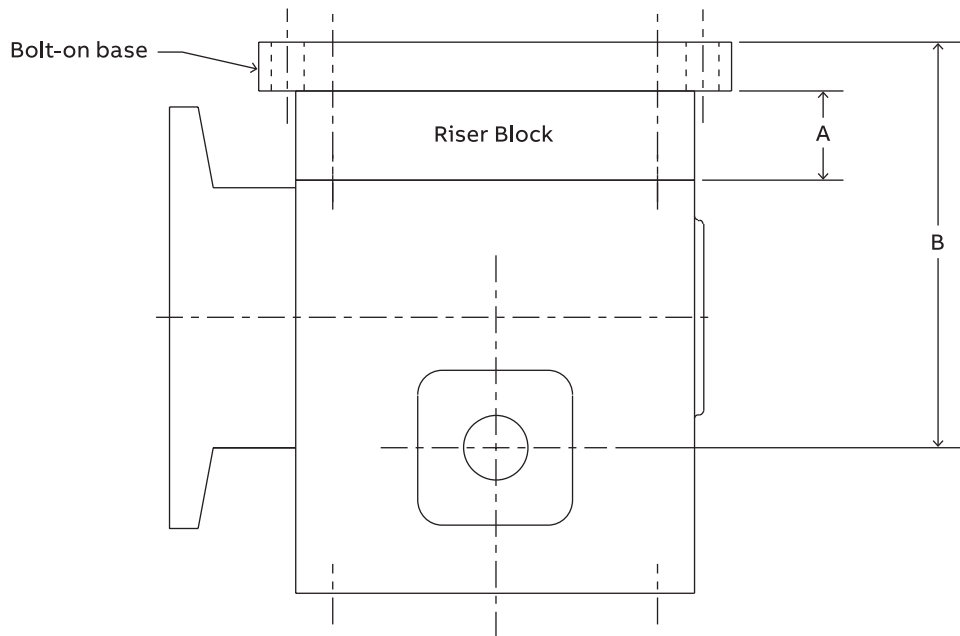
Reducer size	Standard kit number	E-Z Kleen kit number	A	B	C	D	E	F	G	H	I
13	13JMOUNT	13ZJMOUNT	6.88	2.00	1.00	2.95	2.71	0.34	7.76	2.88	0.25
15	15JMOUNT	15ZJMOUNT	7.98	2.50	1.25	3.50	3.12	0.41	9.48	3.38	0.31
17	17JMOUNT	17ZJMOUNT	8.35	2.50	1.25	3.50	3.24	0.41	9.85	3.56	0.38
20	20JMOUNT	20ZJMOUNT	8.97	2.63	1.32	3.94	3.55	0.47	11.35	3.75	0.38
23	23JMOUNT	23ZJMOUNT	9.88	2.88	1.44	4.06	3.75	0.50	10.88	4.12	0.38
26	26JMOUNT	26ZJMOUNT	11.48	3.13	1.57	4.75	4.43	0.53	13.36	4.25	0.38
30	30JMOUNT	30ZJMOUNT	11.88	4.00	2.00	5.62	4.75	0.56	13.02	5.06	0.38
32	32JMOUNT	32ZJMOUNT	12.56	4.00	2.00	5.69	5.09	0.56	14.00	5.06	0.38
35	35JMOUNT	35ZJMOUNT	13.50	4.00	2.00	5.50	5.45	0.56	15.57	5.50	0.38
38	N/A	N/A									
40	40JMOUNT	N/A	14.88	5.00	2.50	6.50	6.12	0.69	16.26	6.38	0.50
47	47JMOUNT	N/A	17.51	5.81	2.91	7.75	7.19	0.69	18.89	7.19	0.50

Accessories

Tigear®-2 Riser block kits

Riser blocks allow clearance over the motor eliminating the need to invert the reducer (worm under) when the application calls for a “ceiling” mount such as under a conveyor or other equipment. Riser blocks permit the reducer to be mounted in the most desirable position keeping the high speed shaft seal above the oil level. Experience shows that this position results in increased seal life and durability. Each kit includes the riser block and required mounting hardware.

Reducer size	Standard kit number	E-Z Kleen® kit number	A	B
13	13RISER	13ZRISER	1.66	5.36
15	15RISER	15ZRISER	1.38	5.61
17	17RISER	17ZRISER	1.38	5.99
20	20RISER	20ZRISER	1.38	6.24
23	23RISER	23ZRISER	2.25	7.88
26	26RISER	26ZRISER	1.91	8.21
30	30RISER	30ZRISER	2.25	8.63
32	32RISER	32ZRISER	2.38	9.14
35	35RISER	35ZRISER	1.69	9.27
40	40RISER	N/A	2.75	10.83
47	47RISER	N/A	2.00	11.57

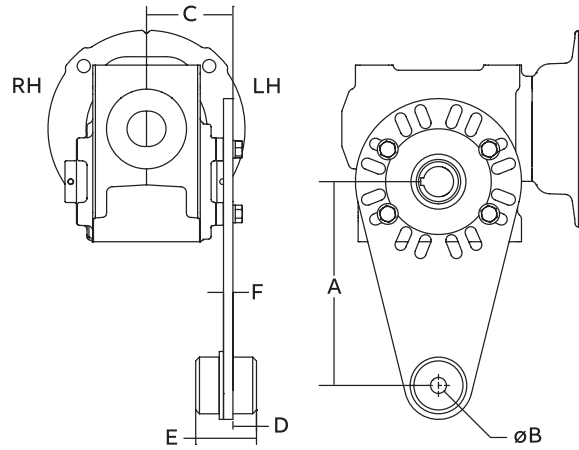


Accessories

Tigear®-2 Torque-Arm kits

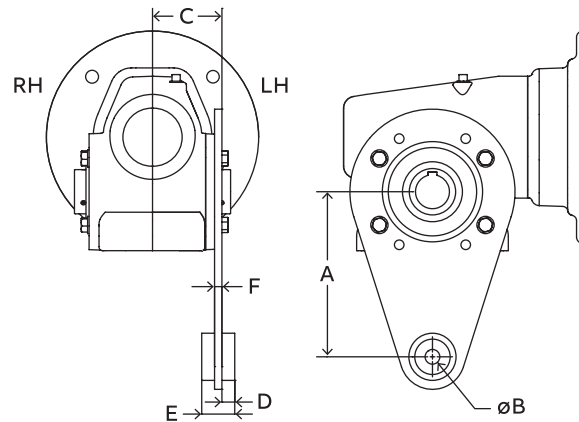
Torque-Arm kits are available for restraining hollow shaft reducers. Each kit includes a torque arm bracket, insert and mounting hardware. Kits are available only for sizes listed in tables.

Standard Torque-Arm kit



Tigear-2 Case size	Part number	E-Z Kleen kit Part number	A	ØB	C		D	E	F	Torque-Arm
					RH	LH				F
17	1720TORQARM	1720ZTORQARM	6.75	0.5	2.77	2.77	0.78	2.53	0.31	
20	1720TORQARM	1720ZTORQARM	6.75	0.5	2.87	2.87	0.78	2.53	0.31	
23	2326TORQARM	2326ZTORQARM	6.75	0.5	3.22	3.22	0.78	2.53	0.31	
26	2326TORQARM	2326ZTORQARM	6.75	0.5	3.31	3.22	0.78	2.53	0.31	
30	3035TORQARM	3035ZTORQARM	14.5	0.5	3.86	3.86	0.78	2.53	0.31	
32	3035TORQARM	3035ZTORQARM	14.5	0.5	3.86	3.86	0.78	2.53	0.31	
35	3035TORQARM	3035ZTORQARM	14.5	0.5	3.76	3.86	0.78	2.53	0.31	

Stainless steel Torque-Arm kit



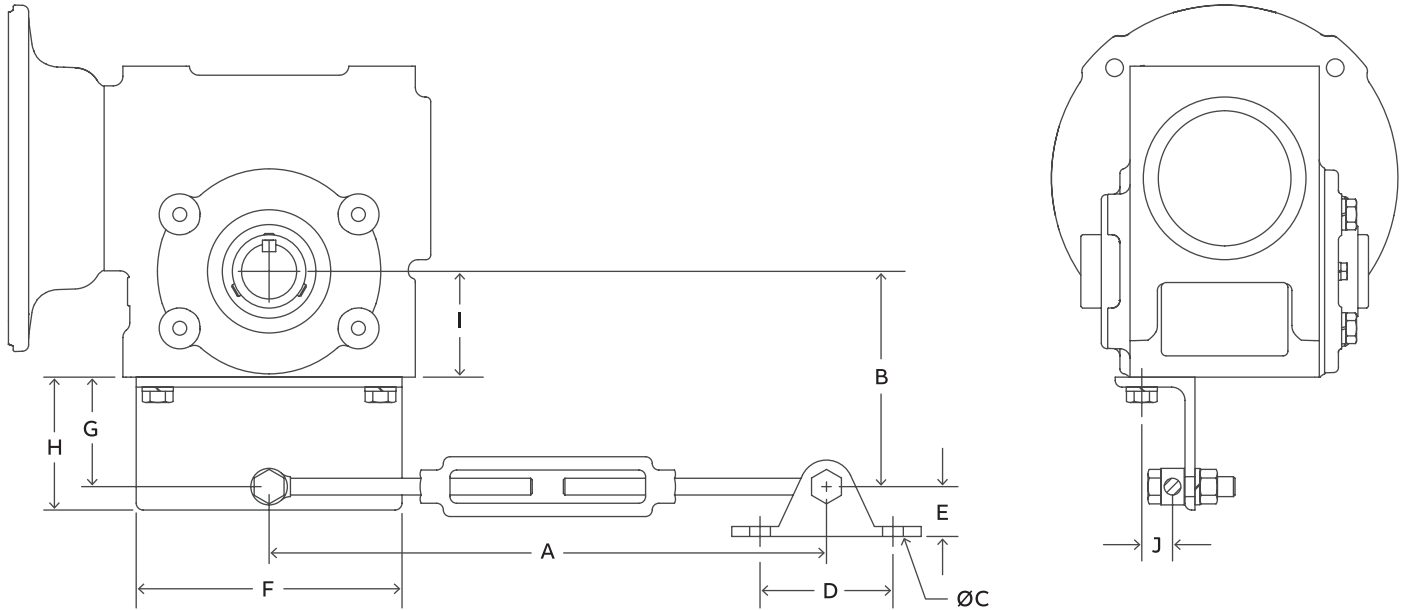
Tigear-2 Case size	Part number	A	ØB	C		D	E	F	Torque Arm
				RH	LH				F
17	SS17TORQARM	6.00	0.50	2.57	2.58	0.43	1.10	0.25	
20	SS20TORQARM	6.00	0.50	2.57	2.55	0.43	1.10	0.25	
23	SS23TORQARM	7.00	0.63	3.00	2.94	0.54	1.40	0.31	
26	SS26TORQARM	7.00	0.63	2.94	2.94	0.54	1.40	0.31	
30	SS30TORQARM	10.00	0.63	3.50	3.50	0.51	1.40	0.38	

Accessories

Tigear®-2 Tie rod kits

Tie rod kits are available for restraining hollow shaft reducers. Each kit includes reducer mounting bracket, tie rods, turnbuckle, fulcrum and mounting hardware.

Reducer case size	Tie rod kit	Reducer case size	Tie rod kit
13	13TIEROD	30	30TIEROD
15	15TIEROD	32	3235TIEROD
17	17TIEROD	35	
20	2023TIEROD	40	40TIEROD
23		47	47TIEROD
26	26TIEROD		



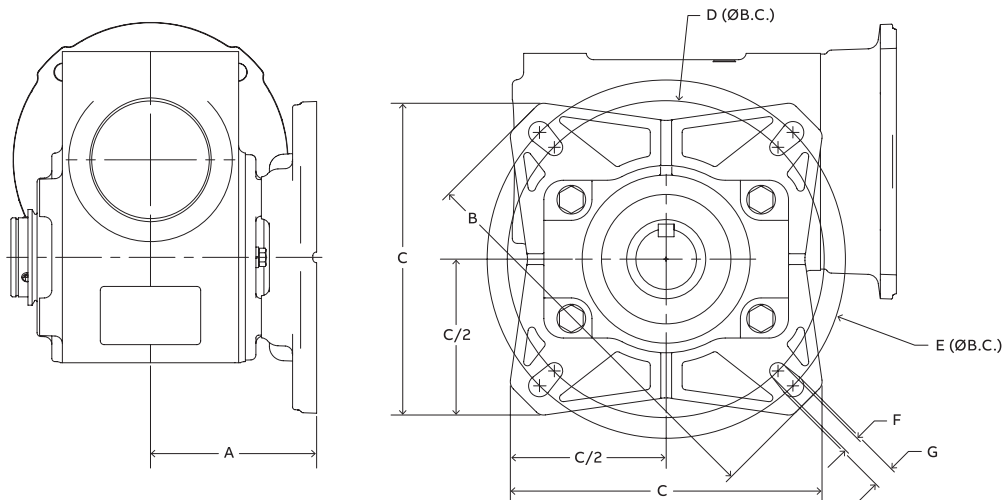
Size	A Min - Max	B	C	D	E	F	G	H	I	J
13	12.00 - 18.00	2.52	0.41	1.75	0.75	4.00	0.81	1.25	1.71	0.37
15	12.00 - 18.00	2.68	0.41	1.75	0.75	4.20	0.81	1.25	1.87	0.49
17	12.00 - 18.00	4.05	0.41	1.75	0.75	5.00	2.06	2.50	1.99	0.59
20	14.7 - 20.7	3.55	0.39	2.50	0.94	5.88	1.31	1.75	2.24	0.53
23	14.7 - 20.7	3.81	0.39	2.50	0.94	5.88	1.31	1.75	2.50	0.53
26	14.7 - 20.7	4.18	0.39	2.50	0.94	7.24	1.31	1.75	2.87	0.75
30	14.7 - 20.7	5.75	0.39	2.50	0.94	8.00	2.50	3.00	3.25	0.72
32	14.7 - 20.7	6.00	0.39	2.50	0.94	8.00	2.50	3.00	3.50	0.72
35	14.7 - 20.7	6.49	0.39	2.50	0.94	8.50	2.50	3.00	3.99	0.84
40	19.5 - 25.5	7.69	0.45	3.00	1.06	9.88	3.25	4.00	4.44	1.09
47	19.5 - 25.5	9.56	0.45	3.00	1.06	12.38	4.25	5.00	5.31	1.03

Accessories

Tigear®-2 Output flange kits

Cast output flange kits

The cast output flange kit is used to mount hollow shaft reducers to a flat surface perpendicular to the output shaft. The flange may be substituted for a tie rod kit or torque arm kit to restrain reactions. Each kit consists of a flange and required mounting hardware. The output flange kit can be mounted to either side of a hollow output reducer. When used with Grip Tight bushings, a single bushing with key must be used and located on the side opposite of the cast output flange.



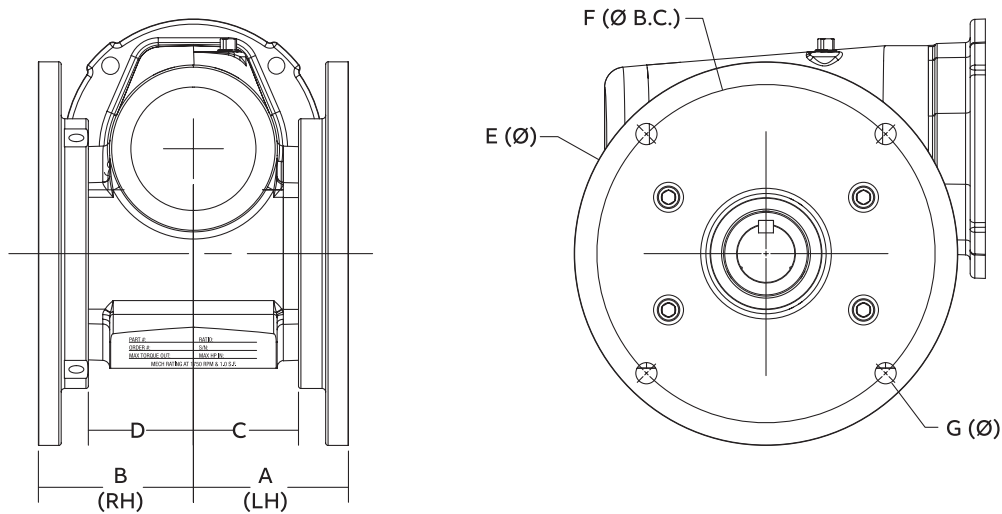
Case size	Standard kit number	E-Z Kleen® kit number	A	B	C	D (ØB.C.)	E (ØB.C.)	F	G
13, 15	N/A	N/A	-	-	-	-	-	-	-
17	17FLANGE	17ZFLANGE	3.58	8.00	6.24	5.88	7.00	0.34	0.41
20	20FLANGE	20ZFLANGE	3.68	8.00	6.24	5.88	7.00	0.34	0.41
21B	N/A	N/A	-	-	-	-	-	-	-
23	2326FLANGE	2326ZFLANGE	3.94	9.60	7.52	7.50	8.47	0.41	0.51
26	2326FLANGE	2326ZFLANGE	3.94/4.03*	9.60	7.52	7.580	8.47	0.41	0.51
30	3035FLANGE	3035ZFLANGE	5.81	11.60	9.00	9.00	10.43	0.56	0.56
32	3035FLANGE	3035ZFLANGE	5.81	11.60	9.00	9.00	10.43	0.56	0.56
35	3035FLANGE	3035ZFLANGE	5.81/5.71*	11.60	9.00	9.00	10.43	0.56	0.56
38	N/A	N/A	-	-	-	-	-	-	-
40, 47	N/A	N/A	-	-	-	-	-	-	-

Accessories

Tigear®-2 Output flange kits

Stainless steel output flange kits

The stainless steel output flange kit is used to mount Food Safe hollow shaft reducers to a flat surface perpendicular to the output shaft. The flange may be substituted for a tie rod kit or torque arm kit to restrain reactions. Each kit consists of a flange and required mounting hardware. The stainless steel output flange kit can be mounted to either side of a hollow output reducer. When used with Grip Tight bushings, a single bushing with key must be used and located on the side opposite of the stainless steel output flange.



Case size	Stainless steel Food Safe kit number	A (LH)	B (RH)	C (LH)	D (RH)	E (Ø)	F (Ø B.C.)	G (Ø)
13, 15	N/A	-	-	-	-	-	-	-
17	17SFLANGE	3.59	3.58	2.33	2.32	8.00	7.00	0.41
20	20SFLANGE	3.55	3.57	2.30	2.32	8.13	7.00	0.41
23	23SFLANGE	3.88	3.94	2.63	2.69	9.60	8.47	0.53
26	26SFLANGE	3.88	3.88	2.63	2.63	9.60	8.47	0.53
30	30SFLANGE	5.81	5.81	3.12	3.12	11.60	10.43	0.56
32	N/A	-	-	-	-	-	-	-
35, 38	N/A	-	-	-	-	-	-	-
40, 47	N/A	-	-	-	-	-	-	-

Accessories

Tigear®-2 Hollow reducer bushing kits

Bushing kits allow hollow output reducers to be mounted to various diameter shafting. Each kit includes bushing and key.



**Grip Tight®
Tapered adapter bushing kit**



Straight bore bushing kit

Reducer size	Max bore	Bore size	Standard		Stainless steel	
			Grip Tight®*	Straight bore	Grip Tight*	Straight bore
13	3/4"	n/a	-	-	-	-
15	3/4"	n/a	-	-	-	-
17	1"	7/8"	-	17BUSH014	-	17SBUSH014
Select standard bore reducer model number from pages 32-37 or washdown reducers from pages 108-109; 124-125.						
20	1-1/4"	15/16"	-	20BUSH015	-	20SBUSH015
		1"	-	20BUSH100	-	20SBUSH100
		25mm	-	20BUSH025	-	20SBUSH025
Select standard bore reducer model number from pages 40-45 or washdown reducers from pages 110-111; 126-127.						
20 Alt.	1-3/16"	n/a	-	-	-	-
Select alternative max bore reducer model number from page 167 or washdown reducers from pages 110-111; 126-127.						
23	1-7/16"	1"	-	2326BUSH100	-	2326SBUSH100
		1-1/8"	-	2326BUSH102	-	2326SBUSH102
		1-3/16"	-	2326BUSH103	-	2326SBUSH103
		1-1/4"	-	2326BUSH104	-	2326SBUSH104
		25mm	-	2326BUSH025	-	2326SBUSH025
		30mm	-	2326BUSH030	-	2326SBUSH030
Select standard bore reducer model number from pages 54-59 or washdown reducers from pages 112-113; 128-129.						
23 Alt	1-1/2"	1"	23TBUSH100	-	23STBUSH100	-
		1-3/16"	23TBUSH103	-	23STBUSH103	-
Select alternative max bore reducer model number from page 167 or washdown reducers from pages 112-113; 128-129.						
26	1-7/16"	1"	-	2326BUSH100	-	2326SBUSH100
		1-1/8"	-	2326BUSH102	-	2326SBUSH102
		1-3/16"	-	2326BUSH103	-	2326SBUSH103
		1-1/4"	-	2326BUSH104	-	2326SBUSH104
		25mm	-	2326BUSH025	-	2326SBUSH025
		30mm	-	2326BUSH030	-	2326SBUSH030
Select standard bore reducer model number from pages 62-67 or washdown reducers from pages 114-115; 130-131.						
26 Alt	1-11/16"	1"	26TBUSH100	-	26STBUSH100	-
		1-3/16"	26TBUSH103	-	26STBUSH103	-
		1-1/4"	26TBUSH104	-	26STBUSH104	-
		1-3/8"	26TBUSH106	-	26STBUSH106	-
		1-7/16"	26TBUSH107	-	26STBUSH107	-
35mm	26BUSH035	-	26SBUSH035	-		
Select alternative max bore reducer model number from page 167 or washdown reducers from pages 114-115; 130-131.						
30	1-15/16"	1"	-	30BUSH100	-	30SBUSH100
		1-1/4"	-	3035BUSH104	-	3035SBUSH104
		1-3/8"	3035TBUSH106	-	3035STBUSH106	-
		1-7/16"	3035TBUSH107	3035BUSH107	3035STBUSH107	3035SBUSH107
		1-1/2"	3035TBUSH108	-	3035STBUSH108	-
		1-5/8"	-	3035BUSH110	-	3035SBUSH110
		1-11/16"	-	3035BUSH111	-	3035SBUSH111
		1-3/4"	-	3035BUSH112	-	3035SBUSH112
		35mm	-	3035BUSH035	-	3035SBUSH035
		40mm	-	3035BUSH040	-	3035SBUSH040
45mm	-	3035BUSH045	-	3035SBUSH045		
Select standard bore reducer model number from pages 68-73 or washdown reducer from pages 116-117; 132-133.						

Required shaft diameter tolerance for Grip Tight bushing: +.000", -.003"

Accessories

Tigear®-2 Hollow reducer bushing kits

Bushing kits allow hollow output reducers to be mounted to various diameter shafting. Each kit includes bushing and key.



Grip Tight®

Tapered adapter bushing kit



Straight bore bushing kit

Reducer size	Max bore	Bore size	Standard		Stainless steel	
			Grip Tight**	Straight bore	Straight bore	
32	1-15/16"	1"	-	30BUSH100	30SBUSH100	
		1-1/4"	-	3035BUSH104	3035SBUSH104	
		1-3/8"	3035TBUSH106	-	3035STBUSH106	-
		1-7/16"	3035TBUSH107	3035BUSH107	3035STBUSH107	3035SBUSH107
		1-1/2"	3035TBUSH108	-	3035STBUSH108	-
		1-5/8"	-	3035BUSH110	-	3035SBUSH110
		1-11/16"	-	3035BUSH111	-	3035SBUSH111
		1-3/4"	-	3035BUSH112	-	3035SBUSH112
		35mm	-	3035BUSH035	-	3035SBUSH035
		40mm	-	3035BUSH040	-	3035SBUSH040
		45mm	-	3035BUSH045	3035SBUSH045	
Select standard bore reducer model number from pages 74-79 or washdown reducer from pages 118-119.						
35	1-15/16"	1-1/4"	-	3035BUSH104	3035SBUSH104	
		1-3/8"	3035TBUSH106	-	3035STBUSH106	-
		1-7/16"	3035TBUSH107	-	3035STBUSH107	-
		1-1/2"	3035TBUSH108	-	3035STBUSH108	-
		1-5/8"	-	3035BUSH110	-	3035SBUSH110
		1-11/16"	-	3035BUSH111	-	3035SBUSH111
		1-3/4"	-	3035BUSH112	-	3035SBUSH112
		35mm	-	3035BUSH035	-	3035SBUSH035
		40mm	-	3035BUSH040	-	3035SBUSH040
				45mm	-	3035BUSH045
Select standard bore reducer model number from pages 80-85 or washdown reducers from pages 120-121.						
38	N/A				Hollow bore not available	
40	2-3/16"	1-7/16"	40TBUSH107	-	-	
		1-1/2"	40TBUSH108	-	-	
		1-11/16"	40TBUSH111	-	-	
		1-3/4"	-	40BUSH112	-	-
		40mm	-	40BUSH040	-	-
Select standard bore reducer model number from pages 92-97.						
47	2-15/16"	1-15/16"	47TBUSH115	-	-	
		2-3/16"	47TBUSH203	-	-	
Select standard bore reducer model number from pages 98-103.						

Required shaft diameter tolerance for Grip Tight bushing: +.000", -.003"

Metric Reducers – Ratings & Dimensions
Ratio multiplier
Accessories
Competitor interchange
Renewal parts
Part number index

Accessories

Tigear®-2 Hollow reducer with alternative maximum bore

Size 20 Hollow reducer part numbers with alternative maximum bore (1-3/16")

Input	Motor frame	Ratio									
		5	7.5	10	15	20	25	30	40	50	60
Quill	56C	20Q05HA56	20Q07HA56	20Q10HA56	20Q15HA56	20Q20HA56	20Q25HA56	20Q30HA56	20Q40HA56	20Q50HA56	20Q60HA56
	140TC	20Q05HA14	20Q07HA14	20Q10HA14	20Q15HA14	20Q20HA14	20Q25HA14	-	-	-	-
Separate	Select motor adapter kit as needed	20S05HA	20S07HA	20S10HA	20S15HA	20S20HA	20S25HA	20S30HA	20S40HA	20S50HA	20S60HA
Coupled assembly	56C	20A05HA56	20A07HA56	20A10HA56	20A15HA56	20A20HA56	20A25HA56	20A30HA56	20A40HA56	20A50HA56	20A60HA56
	140TC	20A05HA14	20A07HA14	20A10HA14	20A15HA14	20A20HA14	20A25HA14	-	-	-	-

Note: Tapered bushing kits are not available for size 20.

Size 23 Hollow reducer part numbers with alternative maximum bore (1-1/2")

Input	Motor frame	Ratio									
		5	7.5	10	15	20	25	30	40	50	60
Quill	56C	23Q05HA56	23Q07HA56	23Q10HA56	23Q15HA56	23Q20HA56	23Q25HA56	23Q30HA56	23Q40HA56	23Q50HA56	23Q60HA56
	140TC	23Q05HA14	23Q07HA14	23Q10HA14	23Q15HA14	23Q20HA14	23Q25HA14	23Q30HA14	23Q40HA14	-	-
	180TC	23Q05HA18	23Q07HA18	23Q10HA18	-	-	-	-	-	-	-
Separate	Select motor adapter kit as needed	23S05HA	23S07HA	23S10HA	23S15HA	23S20HA	23S25HA	23S30HA	23S40HA	23S50HA	23S60HA
Coupled assembly	56C	23A05HA56	23A07HA56	23A10HA56	23A15HA56	23A20HA56	23A25HA56	23A30HA56	23A40HA56	23A50HA56	23A60HA56
	140TC	23A05HA14	23A07HA14	23A10HA14	23A15HA14	23A20HA14	23A25HA14	23A30HA14	23A40HA14	-	-
	180TC	23A05HA18	23A07HA18	23A10HA18	-	-	-	-	-	-	-

Note: These reducers are required when using tapered bushing kits for size 23.

Size 26 Hollow reducer part numbers with alternative maximum bore (1-11/16")

Input	Motor frame	Ratio									
		5	7.5	10	15	20	25	30	40	50	60
Quill	56C	-	26Q07HA56	26Q10HA56	26Q15HA56	26Q20HA56	26Q25HA56	26Q30HA56	26Q40HA56	26Q50HA56	26Q60HA56
	140TC	26Q05HA14	26Q07HA14	26Q10HA14	26Q15HA14	26Q20HA14	26Q25HA14	26Q30HA14	26Q40HA14	26Q50HA14	26Q60HA14
	180TC	26Q05HA18	26Q07HA18	26Q10HA18	26Q15HA18	-	-	-	-	-	-
Separate	Select motor adapter kit as needed	26S05HA	26S07HA	26S10HA	26S15HA	26S20HA	26S25HA	26S30HA	26S40HA	26S50HA	26S60HA
Coupled assembly	56C	-	26A07HA56	26A10HA56	26A15HA56	26A20HA56	26A25HA56	26A30HA56	26A40HA56	26A50HA56	26A60HA56
	140TC	26A05HA14	26A07HA14	26A10HA14	26A15HA14	26A20HA14	26A25HA14	26A30HA14	26A40HA14	26A50HA14	26A60HA14
	180TC	26A05HA18	26A07HA18	26A10HA18	26A15HA18	-	-	-	-	-	-

Note: These reducers are required when using tapered bushing kits for size 26.

Accessories

Tigear®-2 Food Safe optional bore sizes
Hollow reducer with alternative maximum bore

Size 23 Hollow reducer part numbers with alternative maximum bore (1-1/4")

Input	Motor frame	Ratio				
		5	7.5	10	15	20
Quill	56C	SS23Q05H56SD104	SS23Q07H56SD104	SS23Q10H56SD104	SS23Q15H56SD104	SS23Q20H56SD104
	140TC	SS23Q05H14SD104	SS23Q07H14SD104	SS23Q10H14SD104	SS23Q15H14SD104	SS23Q20H14SD104
	180TC	SS23Q05H18SD104	SS23Q07H18SD104	SS23Q10H18SD104	-	-
Coupled assembly	56C	SS23A05H56SD104	SS23A07H56SD104	SS23A10H56SD104	SS23A15H56SD104	SS23A20H56SD104
	140TC	SS23A05H14SD104	SS23A07H14SD104	SS23A10H14SD104	SS23A15H14SD104	SS23A20H14SD104
	180TC	SS23A05H18SD104	SS23A07H18SD104	SS23A10H18SD104	-	-

Input	Motor frame	Ratio				
		25	30	40	50	60
Quill	56C	SS23Q25H56SD104	SS23Q30H56SD104	SS23Q40H56SD104	SS23Q50H56SD104	SS23Q60H56SD104
	140TC	SS23Q25H14SD104	SS23Q30H14SD104	SS23Q40H14SD104	-	-
	180TC	-	-	-	-	-
Coupled assembly	56C	SS23A25H56SD104	SS23A30H56SD104	SS23A40H56SD104	SS23A50H56SD104	SS23A60H56SD104
	140TC	SS23A25H14SD104	SS23A30H14SD104	SS23A40H14SD104	-	-
	180TC	-	-	-	-	-

Size 26 Hollow reducer part numbers with alternative maximum bore (1-1/4")

Input	Motor frame	Ratio				
		5	7.5	10	15	20
Quill	56C	-	SS26Q07H56SD104	SS26Q10H56SD104	SS26Q15H56SD104	SS26Q20H56SD104
	140TC	SS26Q05H14SD104	SS26Q07H14SD104	SS26Q10H14SD104	SS26Q15H14SD104	SS26Q20H14SD104
	180TC	SS26Q05H18SD104	SS26Q07H18SD104	SS26Q10H18SD104	SS26Q15H18SD104	-
Coupled assembly	56C	-	SS26A07H56SD104	SS26A10H56SD104	SS26A15H56SD104	SS26A20H56SD104
	140TC	SS26A05H14SD104	SS26A07H14SD104	SS26A10H14SD104	SS26A15H14SD104	SS26A20H14SD104
	180TC	SS26A05H18SD104	SS26A07H18SD104	SS26A10H18SD104	SS26A15H18SD104	-

Input	Motor frame	Ratio				
		25	30	40	50	60
Quill	56C	SS26Q25H56SD104	SS26Q30H56SD104	SS26Q40H56SD104	SS26Q50H56SD104	SS26Q60H56SD104
	140TC	SS26Q25H14SD104	SS26Q30H14SD104	SS26Q40H14SD104	SS26Q50H14SD104	SS26Q60H14SD104
	180TC	-	-	-	-	-
Coupled assembly	56C	SS26A25H56SD104	SS26A30H56SD104	SS26A40H56SD104	SS26A50H56SD104	SS26A60H56SD104
	140TC	SS26A25H14SD104	SS26A30H14SD104	SS26A40H14SD104	SS26A50H14SD104	SS26A60H14SD104
	180TC	-	-	-	-	-

Size 30 Hollow reducer part numbers with alternative maximum bore (1-7/16")

Input	Motor frame	Ratio				
		5	7.5	10	15	20
Quill	56C	-	-	-	-	SS30Q20H56BD107
	140TC	SS30Q05H14BD107	SS30Q07H14BD107	SS30Q10H14BD107	SS30Q15H14BD107	SS30Q20H14BD107
	180TC	SS30Q05H18BD107	SS30Q07H18BD107	SS30Q10H18BD107	SS30Q15H18BD107	SS30Q20H18BD107
Coupled assembly	56C	-	-	-	-	SS30A20H56BD107
	140TC	SS30A05H14BD107	SS30A07H14BD107	SS30A10H14BD107	SS30A15H14BD107	SS30A20H14BD107
	180TC	SS30A05H18BD107	SS30A07H18BD107	SS30A10H18BD107	SS30A15H18BD107	SS30A20H18BD107

Input	Motor frame	Ratio				
		25	30	40	50	60
Quill	56C	SS30Q25H56BD107	SS30Q30H56BD107	SS30Q40H56BD107	SS30Q50H56BD107	SS30Q60H56BD107
	140TC	SS30Q25H14BD107	SS30Q30H14BD107	SS30Q40H14BD107	SS30Q50H14BD107	SS30Q60H14BD107
	180TC	SS30Q25H18BD107	-	-	-	-
Coupled assembly	56C	SS30A25H56BD107	SS30A30H56BD107	SS30A40H56BD107	SS30A50H56BD107	SS30A60H56BD107
	140TC	SS30A25H14BD107	SS30A30H14BD107	SS30A40H14BD107	SS30A50H14BD107	SS30A60H14BD107
	180TC	SS30A25H18BD107	-	-	-	-

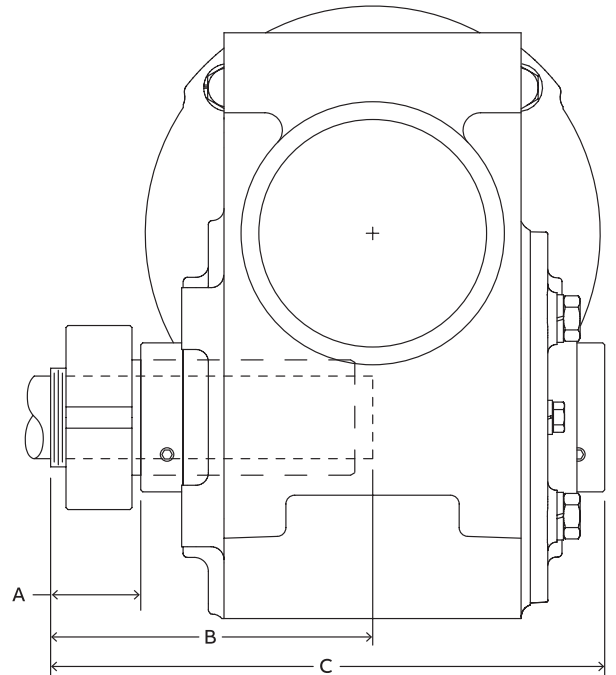
Metric Reducers - Ratings & Dimensions
Ratio multiplier
Accessories
Competitor Interchange
Renewal parts
Part number index

Tigear®-2 tapered bushing dimensions

Single bushing with key

Bushing located on side of reducer closest to driven device

This is the preferred mounting method for single bushing applications.



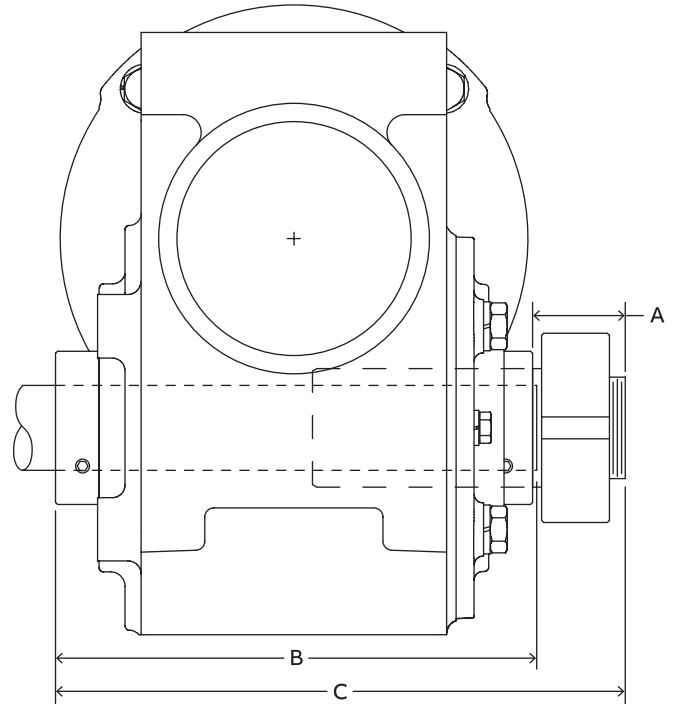
Reducer size	Driven shaft diameter	A Distance from end of bushing to end of hollow shaft	B Distance from end of bushing to end of driven shaft	C Distance from end of bushing to opposite end of hollow shaft	Keyway width	Minimum keyway length from end of driven shaft
23	1.000	1.25	4.37	7.87	0.25	3.12
	1.1875	1.25	4.37	7.87	0.25	3.12
26	1.000	1.38	4.50	8.00	0.25	3.12
	1.1875	1.38	4.50	8.00	0.25	3.12
	1.250	1.38	4.50	8.00	0.25	3.12
	1.375	1.38	4.50	8.00	0.3125	3.12
30	1.375	1.44	5.12	9.20	0.3125	3.68
	1.4375	1.44	5.12	9.20	0.375	3.68
	1.500	1.44	5.12	9.20	0.375	3.68
	1.375	1.44	5.12	9.20	0.3125	3.68
32	1.4375	1.44	5.12	9.20	0.375	3.68
	1.500	1.44	5.12	9.20	0.375	3.68
	1.375	1.44	5.12	10.18	0.3125	3.68
35*	1.4375	1.44	5.12	10.18	0.375	3.68
	1.500	1.44	5.12	10.18	0.375	3.68
	1.500	1.69	6.24	11.51	0.375	4.55
40*	1.6875	1.69	6.24	11.51	0.375	4.55
	1.9375	2.13	7.44	14.01	0.500	5.31
47*	2.1875	2.13	7.44	14.01	0.500	5.31

* It is recommended that these size reducers be used with bushings on both sides of the reducer.

Tigear®-2 tapered bushing dimensions

Single bushing with key

Bushing located on opposite side of reducer



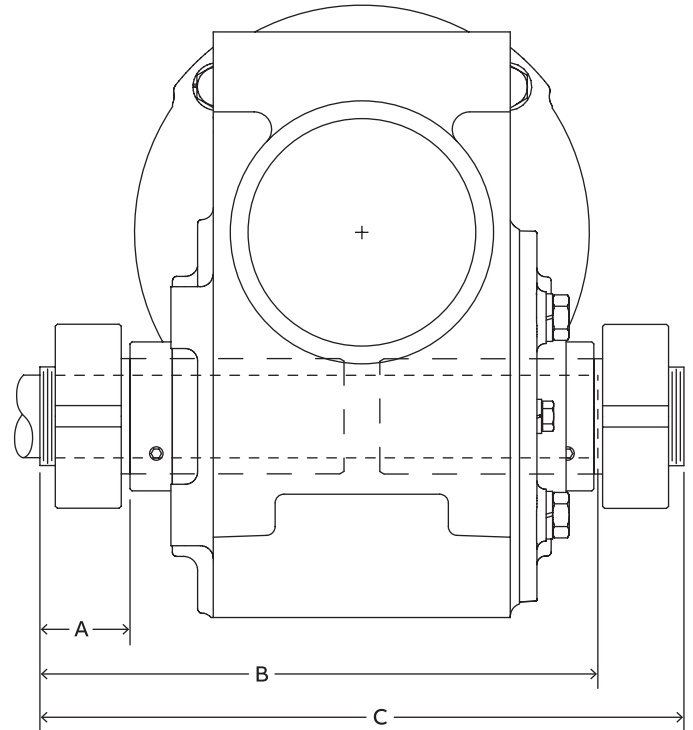
Reducer Size	Driven shaft diameter	A Distance from end of hollow shaft to end of bushing	B Distance from end of hollow shaft to end of driven shaft	C Distance from hollow shaft to end of bushing	Keyway width	Minimum keyway length from end of driven shaft
23	1.000	1.25	6.75	7.87	0.25	1.75
	1.1875	1.25	6.75	7.87	0.25	2.00
26	1.000	1.38	6.75	8.00	0.25	1.75
	1.1875	1.38	6.75	8.00	0.25	2.00
	1.250	1.38	6.75	8.00	0.25	2.13
	1.375	1.38	6.75	8.00	0.3125	2.44
30	1.375	1.44	7.89	9.20	0.3125	2.44
	1.4375	1.44	7.89	9.20	0.375	2.50
	1.500	1.44	7.89	9.20	0.375	2.63
	1.375	1.44	7.89	9.20	0.3125	2.44
32	1.4375	1.44	7.89	9.20	0.375	2.50
	1.500	1.44	7.89	9.20	0.375	2.63
35*	1.375	1.44	8.87	10.18	0.3125	2.44
	1.4375	1.44	8.87	10.18	0.375	2.50
	1.500	1.44	8.87	10.18	0.375	2.63
40*	1.500	1.69	9.95	11.51	0.375	2.63
	1.6875	1.69	9.95	11.51	0.375	2.88
47*	1.9375	2.13	12.01	14.01	0.500	3.38
	2.1875	2.13	12.01	14.01	0.500	3.75

* It is recommended that these size reducers be used with bushings on both sides of the reducer.

Tigear®-2 tapered bushing dimensions

Double bushing with key

This is the preferred mounting method for double bushing applications.

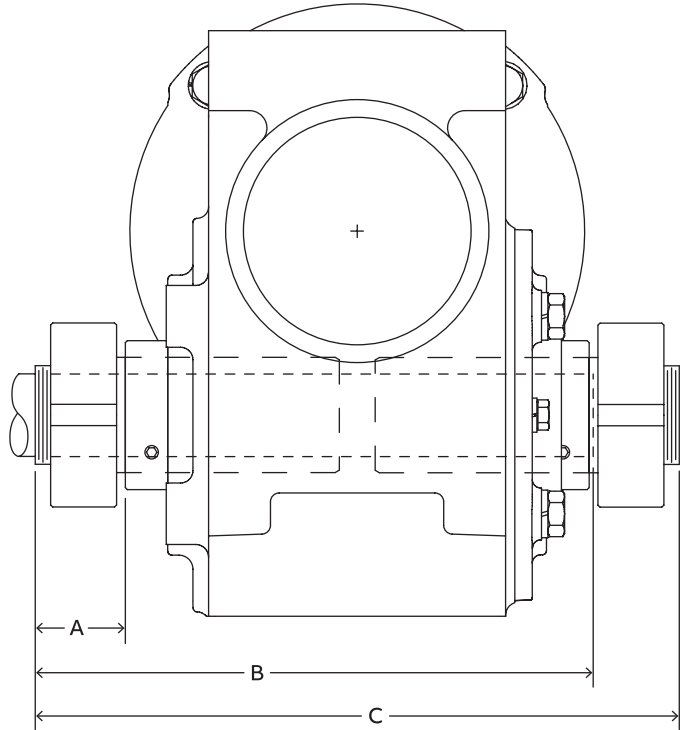


Reducer size	Driven shaft diameter	A Distance from end of bushing to end of hollow shaft	B Distance from end of bushing to end of driven shaft	C Total width of bushings	Keyway width	Minimum keyway length from end of driven shaft
23	1.000	1.25	8.00	9.13	0.25	6.75
	1.1875	1.25	8.00	9.13	0.25	6.75
26	1.000	1.38	8.13	9.39	0.25	6.75
	1.1875	1.38	8.13	9.39	0.25	6.75
	1.250	1.38	8.13	9.39	0.25	6.75
	1.375	1.38	8.13	9.39	0.3125	6.75
30	1.375	1.44	9.33	10.65	0.3125	7.89
	1.4375	1.44	9.33	10.65	0.375	7.89
	1.500	1.44	9.33	10.65	0.375	7.89
	1.375	1.44	9.33	10.65	0.3125	7.89
32	1.4375	1.44	9.33	10.65	0.375	7.89
	1.500	1.44	9.33	10.65	0.375	7.89
	1.375	1.44	10.31	11.63	0.3125	8.87
35	1.4375	1.44	10.31	11.63	0.375	8.87
	1.500	1.44	10.31	11.63	0.375	8.87
	1.500	1.69	11.64	13.21	0.375	9.95
40	1.6875	1.69	11.64	13.21	0.375	9.95
	1.9375	2.13	14.14	16.15	0.500	12.01
47	2.1875	2.13	14.14	16.15	0.500	12.01

Tigear®-2 tapered bushing dimensions

Double bushing without key

Do not use for brake motor applications or other critical applications.



Reducer size	A Distance from end of bushing to end of hollow shaft	B Distance from end of bushing to end of driven shaft	C Total width of bushings
23	1.25	8.00	9.13
26	1.38	8.13	9.39
30	1.44	9.33	10.65
32	1.44	9.33	10.65
35	1.44	10.31	11.63
40	1.69	11.64	13.21
47	2.13	14.14	16.15

Tigear®-2

Plug-in output shaft kit

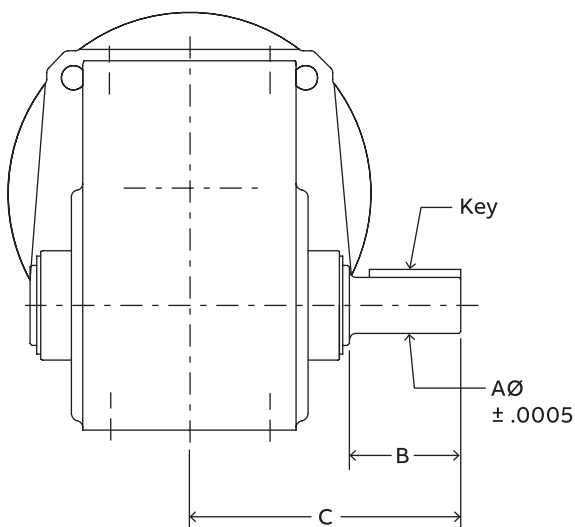
A plug-in output shaft kit permits the conversion of a hollow output to a solid output reducer. Customers can easily change output shaft locations from L to R with this accessory. These kits can only be used with standard max bore reducers. They cannot be used with alternative max bore reducers. If other shaft requirements are necessary, consult Dodge. Kit includes shaft, snap rings and keys.



Case size	Kit no.	A +/- .0005
13	13PLUGIN	0.6245
15	15PLUGIN	0.7495
17	17PLUGIN	0.8745
20	20PLUGIN	0.9995
23	23PLUGIN	1.1245
26	26PLUGIN	1.1245
30	3032PLUGIN	1.3745
32	3032PLUGIN	1.3745
35	35PLUGIN	1.4995
40	40PLUGIN	1.8745
47	47PLUGIN	1.9995

Case size	B	C	Key
13	1.82	4.47	3/16 SQ x 1.50
15	1.82	4.47	3/16 SQ x 1.50
17	1.81	4.81	3/16 SQ x 1.50
20	2.11	5.31	1/4 SQ x 1.75
23	2.36	6.05	1/4 SQ x 1.98
26	2.36	6.05	1/4 SQ x 1.98
30	3.43	7.76	5/16 SQ x 3.00
32	3.43	7.76	5/16 SQ x 3.00
35	3.34	8.17	3/8 SQ x 2.93
40	4.10	9.46	1/2 SQ x 3.53
47	3.93	10.46	1/2 SQ x 3.53

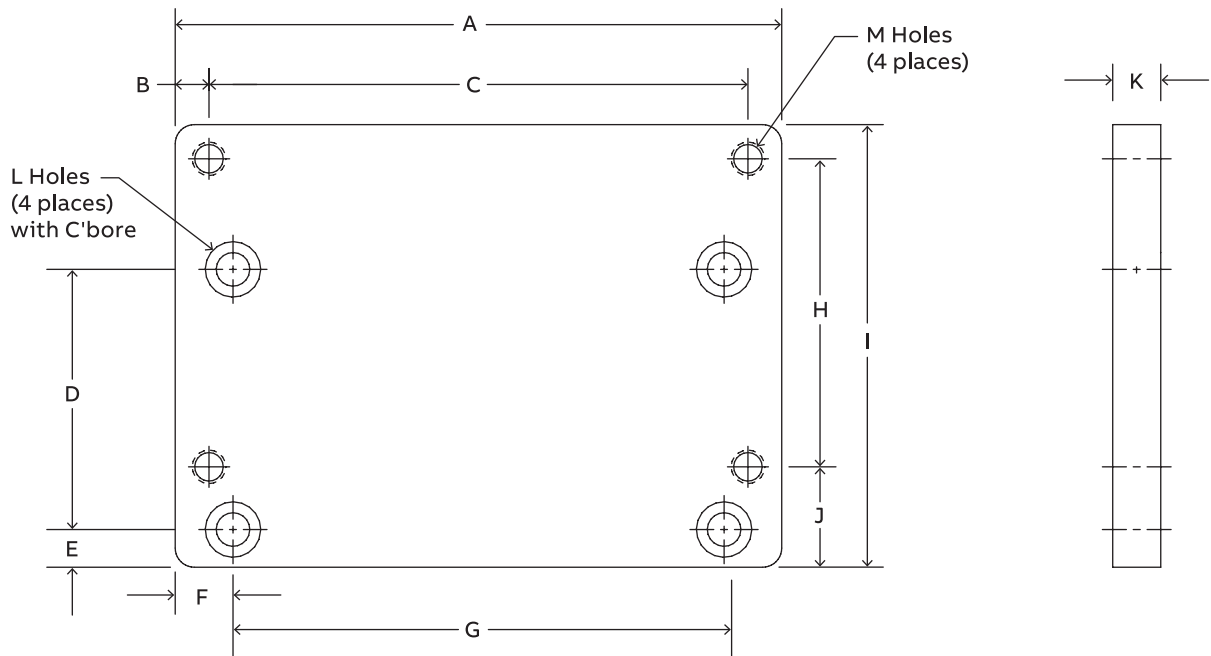
Note: Solid shaft gearboxes are recommended whenever overhung load is present. Plug-in shafts can be used for overhung load applications if testing has been done to verify the plug-in shaft performs to expectations. Special length and diameter solid shafts are available through the Tigear-2 special options program.



Tigear[®]-2

Transition base kits for downsizing

Tigear-2 transition base kits allow a smaller reducer to “drop-in” to the bolt hole pattern of the next size larger reducer. This scenario is possible in many replacement situations because of the increases in the Tigear-2 output torque capacity. The base will locate the output shaft in the same position as the one from the larger reducer being replaced.



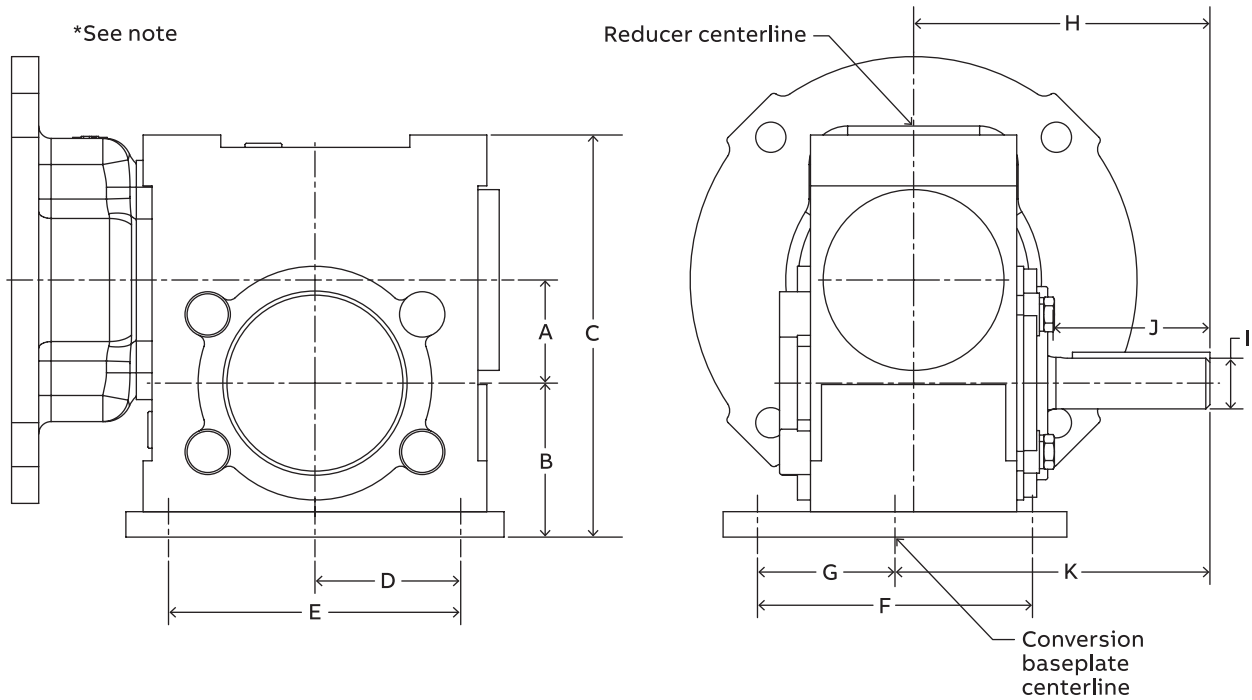
Downsizing

From	To	Kit number	A	B	C	D	E	F	G	H	I	J	K	L Holes	M Holes
26	23	23DOWN26	7.13	0.38	6.38	2.88	0.69	1.07	5.00	3.38	4.69	0.93	0.63	7/16 DRILL THRU	3/8-16 TAP THRU
30	26	26DOWN30	7.88	0.44	7.00	3.38	0.49	0.75	6.38	4.00	5.75	1.31	0.63	7/16 DRILL THRU	7/16-14 TAP THRU
35	30	30DOWN35	8.38	0.44	7.50	4.00	0.62	0.69	7.00	4.00	5.82	1.38	1.00	1/2 DRILL THRU	7/16-14 TAP THRU

Tigear® -2

XL Right angle conversion base

Tigear-2 conversion base kits allow customers who currently use single reduction Master XL right angle reducers to convert to Tigear-2. The conversion base kits will be supplied with hardware to attach the conversion base to the Tigear-2 unit. Please note some dimensional differences exist between the Master XL reducers and Tigear-2 reducers with conversion base.



Tigear-2 sizes	Converted XL size	Kit no.	A	B	C	D	E	F	G	H	I	J	K	Master XL base to centerline of output shaft
15	12	W12TO15BASE	1.50	2.250	5.86	2.12	4.25	4.00	2.00	4.31	0.750	2.23	4.00	2.23
17	16	W16TO17BASE	1.75	2.480	6.34	3.00	6.00	4.50	2.25	4.31	0.875	1.74	4.56	2.48
23	21	W21TO23BASE	2.31	3.365	8.25	3.50	7.00	7.00	3.50	5.14	1.125	2.18	6.00	3.37
35	28	W28TO35BASE	3.50	4.855	11.44	3.99	8.00	8.00	4.00	7.06	1.500	3.51	7.81	*3.985

* Denotes dimensional difference between XL right angle and Tigear-2 unit with conversion base

Metric Reducers - Ratings & Dimensions
 Ratio multiplier
 Accessories
 Competitor interchange
 Renewal parts
 Part number index

Tigear®-2

Lubrication

The Dodge® Tigear-2 reducer is factory filled with a synthetic lubricant which eliminates costly preparation time normally required to put a reducer into service. The lubricant supplied is a high performance, H1 food grade lubricant, suitable for all mounting positions. When reducer selections are properly service factored to account for the thermal limitations of the reducer, the standard lubricant covers an operating ambient temperature range of 0°F to 120°F. No other lubricant available on the market provides the outstanding wear protection and thermal abilities of the factory-filled lubricant. Other lubricants, including Mobile SHC series lubricant, must not be mixed with the factory supplied lubricant. Contact Dodge application engineering for temperatures above 120°F.

Low temperature lubricant

For operating ambient temperature ranges from -20°F to 80°F, order low temperature lubricant at the time of reducer order. See special options (page 11) for additional information on ordering low temp lubricant. The low temperature lubricant has all of the high performance features of the standard temperature lubricant, but has been modified for lower temperatures. Contact Dodge application engineering for temperatures below -20°F.

Approximate oil volumes

Reducer configuration	Reducer size											
	13	15	17	20/21B	23	26	30	32	35	38	40	47
Solid Output Shaft												
Quill (QS), 3-Piece Coupled (AS), Separate (SS) Input	6.1 oz.	7.2 oz.	12 oz.	15.2 oz.	23 oz.	32 oz.	48 oz.	48 oz.	66 oz.	66 oz.	97 oz.	176 oz.
Hollow Output Shaft												
Quill (QS), 3-Piece Coupled (AS), Separate (SS) Input	5.6 oz.	6.9 oz.	10.2 oz.	14.1 oz.	21 oz.	28 oz.	44 oz.	44 oz.	60 oz.	60 oz.	89 oz.	164 oz.

Replacement factory recommended gear lubricant may be ordered from Dodge. Use the following table to determine part number.

Standard temperature range		
Klubersynth UH1 6-460		
Volume	Quart	Gallon
	32 oz.	128 oz.
Part Number	334863	334862

Low temperature range		
Klubersynth UH1 6-150		
Volume	Quart	Gallon
	32 oz.	128 oz.
Part Number	334861	334860

Output shaft reversal kits

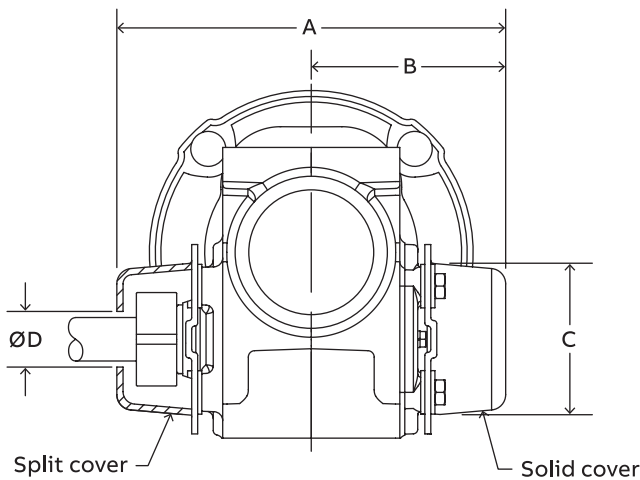
Tigear-2 reducers are stocked in left-hand and right-hand output shaft configuration. However, it is possible to convert a left-hand unit to a right-hand unit, or a right-hand unit to a left-hand unit in the field. A shaft reversal kit is required to make this change. Each kit includes a shaft seal, bore plug, o-ring, and instructions.

Reducer size	Kit part number
13	13SHAFTREV
15	15SHAFTREV
17	17SHAFTREV
20 / 21B	20SHAFTREV
23	23SHAFTREV
26	26SHAFTREV
30	30SHAFTREV
32	32SHAFTREV
35	35SHAFTREV
38	38SHAFTREV
40	40SHAFTREV
47	47SHAFTREV

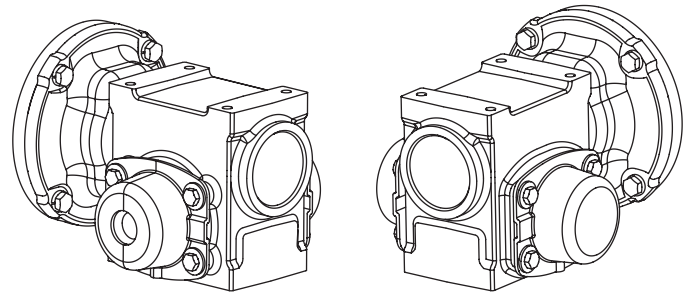
Tigear®-2

Hollow output safety covers

Safety cover kits are available to enclose the rotating shaft on hollow output reducers. The kits are designed to fit reducers equipped with Grip Tight or straight-bore bushings, or reducers equipped with the standard straight-bore hollow output shaft. The covers are made from a water-resistant polymer and include stainless steel fasteners for mild washdown applications. The covers are not water tight and it is possible for solid material to collect near the covers.



Safety cover – end view



Safety cover – isometric views

Case size	Cover style	Standard & E-Z Kleen® kit number	Food Safe kit number	A	B	C	D
17	Closed	17CLSDCOVER	SS17CLSDCOVER	8.0	4.0	3.1	–
	Open	17OPENCOVER	SS17OPENCOVER	8.0	4.0	3.1	1.12
20	Closed	20CLSDCOVER	SS20CLSDCOVER	8.2	4.1	3.8	–
	Open	20OPENCOVER	SS20OPENCOVER	8.2	4.1	3.8	1.50
21B	Closed	–	–	–	–	–	–
	Open	20OPENCOVER	–	–	–	–	–
23	Closed	23CLSDCOVER	SS23CLSDCOVER	9.2	4.6	3.4	–
	Open	23OPENCOVER	SS23OPENCOVER	9.2	4.6	3.4	1.75
26	Closed	26CLSDCOVER	SS26CLSDCOVER	9.6	4.8	4.4	–
	Open	26OPENCOVER	SS26OPENCOVER	9.6	4.8	4.4	1.94
30	Closed	3032CLSDCOVER	SS30CLSDCOVER	10.8	5.4	3.9	–
	Open	3032OPENCOVER	SS30OPENCOVER	10.8	5.4	3.9	2.19
32	Closed	3032CLSDCOVER	–	10.8	5.4	3.9	–
	Open	3032OPENCOVER	–	10.8	5.4	3.9	2.19
35	Closed	35CLSDCOVER	–	12.0	6.0	5.5	–
	Open	3538OPENCOVER	–	12.0	6.0	5.5	2.19
38	Closed	–	–	12.0	6.0	5.5	–
	Open	3538OPENCOVER	–	12.0	6.0	5.5	2.19
40	Closed	40CLSDCOVER	–	13.6	6.8	4.5	–
	Open	40OPENCOVER	–	13.6	6.8	4.5	2.44

Competitor interchange

Interchange to Dodge® Tigear®-2

179-190 Boston reducer interchange to Tigear-2

191-208 Grove reducer interchange to Tigear-2

209-228 Morse reducer interchange to Tigear-2

Disclaimer: The following manufacturers share similar critical mounting dimensions. However, discrepancies between dimensions could lead to interference issues on equipment. Please verify all dimensions important to your application before placing order.

Competitor interchange

Boston quill input / coupled input

1.33" Center distance

Quill input

Boston nomenclature						Tigear® equivalent
F	713	B	5	B5	G	13Q05L56
F	713	B	5	B5	J	13Q05R56
F	713	B	5	B5	H	13Q05LR56
F	713	B	10	B5	G	13Q10L56
F	713	B	10	B5	J	13Q10R56
F	713	B	10	B5	H	13Q10LR56
F	713	B	15	B5	G	13Q15L56
F	713	B	15	B5	J	13Q15R56
F	713	B	15	B5	H	13Q15LR56
F	713	B	20	B5	G	13Q20L56
F	713	B	20	B5	J	13Q20R56
F	713	B	20	B5	H	13Q20LR56
F	713	B	25	B5	G	13Q25L56
F	713	B	25	B5	J	13Q25R56
F	713	B	25	B5	H	13Q25LR56
F	713	B	30	B5	G	13Q30L56
F	713	B	30	B5	J	13Q30R56
F	713	B	30	B5	H	13Q30LR56
F	713	B	40	B5	G	13Q40L56
F	713	B	40	B5	J	13Q40R56
F	713	B	40	B5	H	13Q40LR56
F	713	B	50	B5	G	13Q50L56
F	713	B	50	B5	J	13Q50R56
F	713	B	50	B5	H	13Q50LR56
F	713	B	60	B5	G	13Q60L56
F	713	B	60	B5	J	13Q60R56
F	713	B	60	B5	H	13Q60LR56

Note: If Boston nomenclature includes "B" add 13BASE.

Coupled input

Boston nomenclature						Tigear® equivalent
RF	713	B	5	B5	G	13A05L56
RF	713	B	5	B5	J	13A05R56
RF	713	B	5	B5	H	13A05LR56
RF	713	B	10	B5	G	13A10L56
RF	713	B	10	B5	J	13A10R56
RF	713	B	10	B5	H	13A10LR56
RF	713	B	15	B5	G	13A15L56
RF	713	B	15	B5	J	13A15R56
RF	713	B	15	B5	H	13A15LR56
RF	713	B	20	B5	G	13A20L56
RF	713	B	20	B5	J	13A20R56
RF	713	B	20	B5	H	13A20LR56
RF	713	B	25	B5	G	13A25L56
RF	713	B	25	B5	J	13A25R56
RF	713	B	25	B5	H	13A25LR56
RF	713	B	30	B5	G	13A30L56
RF	713	B	30	B5	J	13A30R56
RF	713	B	30	B5	H	13A30LR56
RF	713	B	40	B5	G	13A40L56
RF	713	B	40	B5	J	13A40R56
RF	713	B	40	B5	H	13A40LR56
RF	713	B	50	B5	G	13A50L56
RF	713	B	50	B5	J	13A50R56
RF	713	B	50	B5	H	13A50LR56
RF	713	B	60	B5	G	13A60L56
RF	713	B	60	B5	J	13A60R56
RF	713	B	60	B5	H	13A60LR56

Competitor interchange

Boston quill input / coupled input

1.54" Center distance

Quill input

Boston nomenclature						Tigear® equivalent
F	715	B	5	B5	G	15Q05L56
F	715	B	5	B5	J	15Q05R56
F	715	B	5	B5	H	15Q05LR56
F	715	B	7.5	B5	G	15Q07L56
F	715	B	7.5	B5	J	15Q07R56
F	715	B	7.5	B5	H	15Q07LR56
F	715	B	10	B5	G	15Q10L56
F	715	B	10	B5	J	15Q10R56
F	715	B	10	B5	H	15Q10LR56
F	715	B	15	B5	G	15Q15L56
F	715	B	15	B5	J	15Q15R56
F	715	B	15	B5	H	15Q15LR56
F	715	B	20	B5	G	15Q20L56
F	715	B	20	B5	J	15Q20R56
F	715	B	20	B5	H	15Q20LR56
F	715	B	25	B5	G	15Q25L56
F	715	B	25	B5	J	15Q25R56
F	715	B	25	B5	H	15Q25LR56
F	715	B	30	B5	G	15Q30L56
F	715	B	30	B5	J	15Q30R56
F	715	B	30	B5	H	15Q30LR56
F	715	B	40	B5	G	15Q40L56
F	715	B	40	B5	J	15Q40R56
F	715	B	40	B5	H	15Q40LR56
F	715	B	50	B5	G	15Q50L56
F	715	B	50	B5	J	15Q50R56
F	715	B	50	B5	H	15Q50LR56
F	715	B	60	B5	G	15Q60L56
F	715	B	60	B5	J	15Q60R56
F	715	B	60	B5	H	15Q60LR56

Note: If Boston nomenclature includes "B" add 15BASE.

Coupled input

Boston nomenclature						Tigear® equivalent
RF	715	B	5	B5	G	15A05L56
RF	715	B	5	B5	J	15A05R56
RF	715	B	5	B5	H	15A05LR56
RF	715	B	7.5	B5	G	15A07L56
RF	715	B	7.5	B5	J	15A07R56
RF	715	B	7.5	B5	H	15A07LR56
RF	715	B	10	B5	G	15A10L56
RF	715	B	10	B5	J	15A10R56
RF	715	B	10	B5	H	15A10LR56
RF	715	B	15	B5	G	15A15L56
RF	715	B	15	B5	J	15A15R56
RF	715	B	15	B5	H	15A15LR56
RF	715	B	20	B5	G	15A20L56
RF	715	B	20	B5	J	15A20R56
RF	715	B	20	B5	H	15A20LR56
RF	715	B	25	B5	G	15A25L56
RF	715	B	25	B5	J	15A25R56
RF	715	B	25	B5	H	15A25LR56
RF	715	B	30	B5	G	15A30L56
RF	715	B	30	B5	J	15A30R56
RF	715	B	30	B5	H	15A30LR56
RF	715	B	40	B5	G	15A40L56
RF	715	B	40	B5	J	15A40R56
RF	715	B	40	B5	H	15A40LR56
RF	715	B	50	B5	G	15A50L56
RF	715	B	50	B5	J	15A50R56
RF	715	B	50	B5	H	15A50LR56
RF	715	B	60	B5	G	15A60L56
RF	715	B	60	B5	J	15A60R56
RF	715	B	60	B5	H	15A60LR56

Metric Reducers –
Ratings & Dimensions

Ratio multiplier

Accessories

Competitor interchange

Renewal parts

Part number index

Competitor interchange

Boston quill input / coupled input

1.75" Center distance

Quill input

Boston nomenclature						Tigear® equivalent
F	718	B	5	B5	G	17Q05L56
F	718	B	5	B5	J	17Q05R56
F	718	B	5	B5	H	17Q05LR56
F	718	B	10	B5	G	17Q10L56
F	718	B	10	B5	J	17Q10R56
F	718	B	10	B5	H	17Q10LR56
F	718	B	15	B5	G	17Q15L56
F	718	B	15	B5	J	17Q15R56
F	718	B	15	B5	H	17Q15LR56
F	718	B	20	B5	G	17Q20L56
F	718	B	20	B5	J	17Q20R56
F	718	B	20	B5	H	17Q20LR56
F	718	B	25	B5	G	17Q25L56
F	718	B	25	B5	J	17Q25R56
F	718	B	25	B5	H	17Q25LR56
F	718	B	30	B5	G	17Q30L56
F	718	B	30	B5	J	17Q30R56
F	718	B	30	B5	H	17Q30LR56
F	718	B	40	B5	G	17Q40L56
F	718	B	40	B5	J	17Q40R56
F	718	B	40	B5	H	17Q40LR56
F	718	B	50	B5	G	17Q50L56
F	718	B	50	B5	J	17Q50R56
F	718	B	50	B5	H	17Q50LR56
F	718	B	60	B5	G	17Q60L56
F	718	B	60	B5	J	17Q60R56
F	718	B	60	B5	H	17Q60LR56
F	718	B	5	B7	G	17Q05L14
F	718	B	5	B7	J	17Q05R14
F	718	B	5	B7	H	17Q05LR14
F	718	B	10	B7	G	17Q10L14
F	718	B	10	B7	J	17Q10R14
F	718	B	10	B7	H	17Q10LR14
F	718	B	15	B7	G	17Q15L14
F	718	B	15	B7	J	17Q15R14
F	718	B	15	B7	H	17Q15LR14

Note: If Boston nomenclature includes "B" add 17BASE.

Coupled input

Boston nomenclature						Tigear® equivalent
RF	718	B	5	B5	G	17A05L56
RF	718	B	5	B5	J	17A05R56
RF	718	B	5	B5	H	17A05LR56
RF	718	B	10	B5	G	17A10L56
RF	718	B	10	B5	J	17A10R56
RF	718	B	10	B5	H	17A10LR56
RF	718	B	15	B5	G	17A15L56
RF	718	B	15	B5	J	17A15R56
RF	718	B	15	B5	H	17A15LR56
RF	718	B	20	B5	G	17A20L56
RF	718	B	20	B5	J	17A20R56
RF	718	B	20	B5	H	17A20LR56
RF	718	B	25	B5	G	17A25L56
RF	718	B	25	B5	J	17A25R56
RF	718	B	25	B5	H	17A25LR56
RF	718	B	30	B5	G	17A30L56
RF	718	B	30	B5	J	17A30R56
RF	718	B	30	B5	H	17A30LR56
RF	718	B	40	B5	G	17A40L56
RF	718	B	40	B5	J	17A40R56
RF	718	B	40	B5	H	17A40LR56
RF	718	B	50	B5	G	17A50L56
RF	718	B	50	B5	J	17A50R56
RF	718	B	50	B5	H	17A50LR56
RF	718	B	60	B5	G	17A60L56
RF	718	B	60	B5	J	17A60R56
RF	718	B	60	B5	H	17A60LR56
RF	718	B	5	B7	G	17A05L14
RF	718	B	5	B7	J	17A05R14
RF	718	B	5	B7	H	17A05LR14
RF	718	B	10	B7	G	17A10L14
RF	718	B	10	B7	J	17A10R14
RF	718	B	10	B7	H	17A10LR14
RF	718	B	15	B7	G	17A15L14
RF	718	B	15	B7	J	17A15R14
RF	718	B	15	B7	H	17A15LR14

Competitor interchange

Boston quill input

2.06" Center distance

Quill input

Boston nomenclature						Tigear® equivalent
F	721	B	5	B5	G	20Q05L56
F	721	B	5	B5	J	20Q05R56
F	721	B	5	B5	H	20Q05LR56
F	721	B	7.5	B5	G	20Q07L56
F	721	B	7.5	B5	J	20Q07R56
F	721	B	7.5	B5	H	20Q07LR56
F	721	B	10	B5	G	20Q10L56
F	721	B	10	B5	J	20Q10R56
F	721	B	10	B5	H	20Q10LR56
F	721	B	12.67	B5	G	20Q12L56
F	721	B	12.67	B5	J	20Q12R56
F	721	B	12.67	B5	H	20Q12LR56
F	721	B	15	B5	G	20Q15L56
F	721	B	15	B5	J	20Q15R56
F	721	B	15	B5	H	20Q15LR56
F	721	B	18	B5	G	20Q18L56
F	721	B	18	B5	J	20Q18R56
F	721	B	18	B5	H	20Q18LR56
F	721	B	20	B5	G	20Q20L56
F	721	B	20	B5	J	20Q20R56
F	721	B	20	B5	H	20Q20LR56
F	721	B	25	B5	G	20Q25L56
F	721	B	25	B5	J	20Q25R56
F	721	B	25	B5	H	20Q25LR56
F	721	B	30	B5	G	20Q30L56
F	721	B	30	B5	J	20Q30R56
F	721	B	30	B5	H	20Q30LR56
F	721	B	40	B5	G	20Q40L56
F	721	B	40	B5	J	20Q40R56
F	721	B	40	B5	H	20Q40LR56

Note: If Boston nomenclature includes "B" add 20BASE.

Boston nomenclature						Tigear® equivalent
F	721	B	50	B5	G	20Q50L56
F	721	B	50	B5	J	20Q50R56
F	721	B	50	B5	H	20Q50LR56
F	721	B	60	B5	G	20Q60L56
F	721	B	60	B5	J	20Q60R56
F	721	B	60	B5	H	20Q60LR56
F	721	B	5	B7	G	20Q05L14
F	721	B	5	B7	J	20Q05R14
F	721	B	5	B7	H	20Q05LR14
F	721	B	7.5	B7	G	20Q07L14
F	721	B	7.5	B7	J	20Q07R14
F	721	B	7.5	B7	H	20Q07LR14
F	721	B	10	B7	G	20Q10L14
F	721	B	10	B7	J	20Q10R14
F	721	B	10	B7	H	20Q10LR14
F	721	B	12.67	B7	G	20Q12L14
F	721	B	12.67	B7	J	20Q12R14
F	721	B	12.67	B7	H	20Q12LR14
F	721	B	15	B7	G	20Q15L14
F	721	B	15	B7	J	20Q15R14
F	721	B	15	B7	H	20Q15LR14
F	721	B	18	B7	G	20Q18L14
F	721	B	18	B7	J	20Q18R14
F	721	B	18	B7	H	20Q18LR14
F	721	B	20	B7	G	20Q20L14
F	721	B	20	B7	J	20Q20R14
F	721	B	20	B7	H	20Q20LR14
F	721	B	25	B7	G	20Q25L14
F	721	B	25	B7	J	20Q25R14
F	721	B	25	B7	H	20Q25LR14

Metric Reducers – Ratings & Dimensions

Ratio multiplier

Accessories

Competitor interchange

Renewal parts

Part number index

Competitor interchange

Boston coupled input

2.06" Center distance

Coupled input

Boston nomenclature							Tigear® equivalent
RF	721	B	5	B5	G		20A05L56
RF	721	B	5	B5	J		20A05R56
RF	721	B	5	B5	H		20A05LR56
RF	721	B	7.5	B5	G		20A07L56
RF	721	B	7.5	B5	J		20A07R56
RF	721	B	7.5	B5	H		20A07LR56
RF	721	B	10	B5	G		20A10L56
RF	721	B	10	B5	J		20A10R56
RF	721	B	10	B5	H		20A10LR56
RF	721	B	12.67	B5	G		20A12L56
RF	721	B	12.67	B5	J		20A12R56
RF	721	B	12.67	B5	H		20A12LR56
RF	721	B	15	B5	G		20A15L56
RF	721	B	15	B5	J		20A15R56
RF	721	B	15	B5	H		20A15LR56
RF	721	B	18	B5	G		20A18L56
RF	721	B	18	B5	J		20A18R56
RF	721	B	18	B5	H		20A18LR56
RF	721	B	20	B5	G		20A20L56
RF	721	B	20	B5	J		20A20R56
RF	721	B	20	B5	H		20A20LR56
RF	721	B	25	B5	G		20A25L56
RF	721	B	25	B5	J		20A25R56
RF	721	B	25	B5	H		20A25LR56
RF	721	B	30	B5	G		20A30L56
RF	721	B	30	B5	J		20A30R56
RF	721	B	30	B5	H		20A30LR56
RF	721	B	40	B5	G		20A40L56
RF	721	B	40	B5	J		20A40R56
RF	721	B	40	B5	H		20A40LR56

Boston nomenclature							Tigear® equivalent
RF	721	B	50	B5	G		20A50L56
RF	721	B	50	B5	J		20A50R56
RF	721	B	50	B5	H		20A50LR56
RF	721	B	60	B5	G		20A60L56
RF	721	B	60	B5	J		20A60R56
RF	721	B	60	B5	H		20A60LR56
RF	721	B	5	B7	G		20A05L14
RF	721	B	5	B7	J		20A05R14
RF	721	B	5	B7	H		20A05LR14
RF	721	B	7.5	B7	G		20A07L14
RF	721	B	7.5	B7	J		20A07R14
RF	721	B	7.5	B7	H		20A07LR14
RF	721	B	10	B7	G		20A10L14
RF	721	B	10	B7	J		20A10R14
RF	721	B	10	B7	H		20A10LR14
RF	721	B	12.67	B7	G		20A12L14
RF	721	B	12.67	B7	J		20A12R14
RF	721	B	12.67	B7	H		20A12LR14
RF	721	B	15	B7	G		20A15L14
RF	721	B	15	B7	J		20A15R14
RF	721	B	15	B7	H		20A15LR14
RF	721	B	18	B7	G		20A18L14
RF	721	B	18	B7	J		20A18R14
RF	721	B	18	B7	H		20A18LR14
RF	721	B	20	B7	G		20A20L14
RF	721	B	20	B7	J		20A20R14
RF	721	B	20	B7	H		20A20LR14
RF	721	B	25	B7	G		20A25L14
RF	721	B	25	B7	J		20A25R14
RF	721	B	25	B7	H		20A25LR14

Note: If Boston nomenclature includes "B" add 20BASE.

Metric Reducers – Ratings & Dimensions
Ratio multiplier
Accessories
Competitor Interchange
Renewal parts
Part number index

Competitor interchange

Boston quill input / coupled input

2.38" Center distance

Quill input

Boston nomenclature						Tigear® equivalent
F	724	B	5	B5	G	23Q05L56
F	724	B	5	B5	J	23Q05R56
F	724	B	5	B5	H	23Q05LR56
F	724	B	10	B5	G	23Q10L56
F	724	B	10	B5	J	23Q10R56
F	724	B	10	B5	H	23Q10LR56
F	724	B	15	B5	G	23Q15L56
F	724	B	15	B5	J	23Q15R56
F	724	B	15	B5	H	23Q15LR56
F	724	B	20	B5	G	23Q20L56
F	724	B	20	B5	J	23Q20R56
F	724	B	20	B5	H	23Q20LR56
F	724	B	25	B5	G	23Q25L56
F	724	B	25	B5	J	23Q25R56
F	724	B	25	B5	H	23Q25LR56
F	724	B	30	B5	G	23Q30L56
F	724	B	30	B5	J	23Q30R56
F	724	B	30	B5	H	23Q30LR56
F	724	B	40	B5	G	23Q40L56
F	724	B	40	B5	J	23Q40R56
F	724	B	40	B5	H	23Q40LR56
F	724	B	50	B5	G	23Q50L56
F	724	B	50	B5	J	23Q50R56
F	724	B	50	B5	H	23Q50LR56
F	724	B	60	B5	G	23Q60L56
F	724	B	60	B5	J	23Q60R56
F	724	B	60	B5	H	23Q60LR56
F	724	B	5	B7	G	23Q05L14
F	724	B	5	B7	J	23Q05R14
F	724	B	5	B7	H	23Q05LR14
F	724	B	10	B7	G	23Q10L14
F	724	B	10	B7	J	23Q10R14
F	724	B	10	B7	H	23Q10LR14
F	724	B	15	B7	G	23Q15L14
F	724	B	15	B7	J	23Q15R14
F	724	B	15	B7	H	23Q15LR14
F	724	B	20	B7	G	23Q20L14
F	724	B	20	B7	J	23Q20R14
F	724	B	20	B7	H	23Q20LR14
F	724	B	25	B7	G	23Q25L14
F	724	B	25	B7	J	23Q25R14
F	724	B	25	B7	H	23Q25LR14

Note: If Boston nomenclature includes "B" add 23BASE.

Coupled input

Boston nomenclature						Tigear® equivalent
RF	724	B	5	B5	G	23A05L56
RF	724	B	5	B5	J	23A05R56
RF	724	B	5	B5	H	23A05LR56
RF	724	B	10	B5	G	23A10L56
RF	724	B	10	B5	J	23A10R56
RF	724	B	10	B5	H	23A10LR56
RF	724	B	15	B5	G	23A15L56
RF	724	B	15	B5	J	23A15R56
RF	724	B	15	B5	H	23A15LR56
RF	724	B	20	B5	G	23A20L56
RF	724	B	20	B5	J	23A20R56
RF	724	B	20	B5	H	23A20LR56
RF	724	B	25	B5	G	23A25L56
RF	724	B	25	B5	J	23A25R56
RF	724	B	25	B5	H	23A25LR56
RF	724	B	30	B5	G	23A30L56
RF	724	B	30	B5	J	23A30R56
RF	724	B	30	B5	H	23A30LR56
RF	724	B	40	B5	G	23A40L56
RF	724	B	40	B5	J	23A40R56
RF	724	B	40	B5	H	23A40LR56
RF	724	B	50	B5	G	23A50L56
RF	724	B	50	B5	J	23A50R56
RF	724	B	50	B5	H	23A50LR56
RF	724	B	60	B5	G	23A60L56
RF	724	B	60	B5	J	23A60R56
RF	724	B	60	B5	H	23A60LR56
RF	724	B	5	B7	G	23A05L14
RF	724	B	5	B7	J	23A05R14
RF	724	B	5	B7	H	23A05LR14
RF	724	B	10	B7	G	23A10L14
RF	724	B	10	B7	J	23A10R14
RF	724	B	10	B7	H	23A10LR14
RF	724	B	15	B7	G	23A15L14
RF	724	B	15	B7	J	23A15R14
RF	724	B	15	B7	H	23A15LR14
RF	724	B	20	B7	G	23A20L14
RF	724	B	20	B7	J	23A20R14
RF	724	B	20	B7	H	23A20LR14
RF	724	B	25	B7	G	23A25L14
RF	724	B	25	B7	J	23A25R14
RF	724	B	25	B7	H	23A25LR14

Metric Reducers – Ratings & Dimensions

Ratio multiplier

Accessories

Competitor interchange

Renewal parts

Part number index

Competitor interchange

Boston quill input

2.62" Center distance

Quill input

Boston nomenclature						Tigear® equivalent
F	726	B	10	B5	G	26Q10L56
F	726	B	10	B5	J	26Q10R56
F	726	B	10	B5	H	26Q10LR56
F	726	B	15	B5	G	26Q15L56
F	726	B	15	B5	J	26Q15R56
F	726	B	15	B5	H	26Q15LR56
F	726	B	20	B5	G	26Q20L56
F	726	B	20	B5	J	26Q20R56
F	726	B	20	B5	H	26Q20LR56
F	726	B	25	B5	G	26Q25L56
F	726	B	25	B5	J	26Q25R56
F	726	B	25	B5	H	26Q25LR56
F	726	B	30	B5	G	26Q30L56
F	726	B	30	B5	J	26Q30R56
F	726	B	30	B5	H	26Q30LR56
F	726	B	40	B5	G	26Q40L56
F	726	B	40	B5	J	26Q40R56
F	726	B	40	B5	H	26Q40LR56
F	726	B	50	B5	G	26Q50L56
F	726	B	50	B5	J	26Q50R56
F	726	B	50	B5	H	26Q50LR56
F	726	B	60	B5	G	26Q60L56
F	726	B	60	B5	J	26Q60R56
F	726	B	60	B5	H	26Q60LR56
F	726	B	5	B7	G	26Q05L14
F	726	B	5	B7	J	26Q05R14
F	726	B	5	B7	H	26Q05LR14
F	726	B	7.5	B7	G	26Q07L14
F	726	B	7.5	B7	J	26Q07R14
F	726	B	7.5	B7	H	26Q07LR14

Note: If Boston nomenclature includes "B" add 26BASE.

Boston nomenclature						Tigear® equivalent
F	726	B	10	B7	G	26Q10L14
F	726	B	10	B7	J	26Q10R14
F	726	B	10	B7	H	26Q10LR14
F	726	B	15	B7	G	26Q15L14
F	726	B	15	B7	J	26Q15R14
F	726	B	15	B7	H	26Q15LR14
F	726	B	20	B7	G	26Q20L14
F	726	B	20	B7	J	26Q20R14
F	726	B	20	B7	H	26Q20LR14
F	726	B	25	B7	G	26Q25L14
F	726	B	25	B7	J	26Q25R14
F	726	B	25	B7	H	26Q25LR14
F	726	B	30	B7	G	26Q30L14
F	726	B	30	B7	J	26Q30R14
F	726	B	30	B7	H	26Q30LR14
F	726	B	40	B7	G	26Q40L14
F	726	B	40	B7	J	26Q40R14
F	726	B	40	B7	H	26Q40LR14
F	726	B	5	B9	G	26Q05L18
F	726	B	5	B9	J	26Q05R18
F	726	B	5	B9	H	26Q05LR18
F	726	B	7.5	B9	G	26Q07L18
F	726	B	7.5	B9	J	26Q07R18
F	726	B	7.5	B9	H	26Q07LR18
F	726	B	10	B9	G	26Q10L18
F	726	B	10	B9	J	26Q10R18
F	726	B	10	B9	H	26Q10LR18

Competitor interchange

Boston coupled input

2.62" Center distance

Coupled input

Boston nomenclature						Tigear® equivalent
RF	726	B	10	B5	G	26A10L56
RF	726	B	10	B5	J	26A10R56
RF	726	B	10	B5	H	26A10LR56
RF	726	B	15	B5	G	26A15L56
RF	726	B	15	B5	J	26A15R56
RF	726	B	15	B5	H	26A15LR56
RF	726	B	20	B5	G	26A20L56
RF	726	B	20	B5	J	26A20R56
RF	726	B	20	B5	H	26A20LR56
RF	726	B	25	B5	G	26A25L56
RF	726	B	25	B5	J	26A25R56
RF	726	B	25	B5	H	26A25LR56
RF	726	B	30	B5	G	26A30L56
RF	726	B	30	B5	J	26A30R56
RF	726	B	30	B5	H	26A30LR56
RF	726	B	40	B5	G	26A40L56
RF	726	B	40	B5	J	26A40R56
RF	726	B	40	B5	H	26A40LR56
RF	726	B	50	B5	G	26A50L56
RF	726	B	50	B5	J	26A50R56
RF	726	B	50	B5	H	26A50LR56
RF	726	B	60	B5	G	26A60L56
RF	726	B	60	B5	J	26A60R56
RF	726	B	60	B5	H	26A60LR56
RF	726	B	5	B7	G	26A05L14
RF	726	B	5	B7	J	26A05R14
RF	726	B	5	B7	H	26A05LR14
RF	726	B	7.5	B7	G	26A07L14
RF	726	B	7.5	B7	J	26A07R14
RF	726	B	7.5	B7	H	26A07LR14

Note: If Boston nomenclature includes "B" add 26BASE.

Boston nomenclature						Tigear® equivalent
RF	726	B	10	B7	G	26A10L14
RF	726	B	10	B7	J	26A10R14
RF	726	B	10	B7	H	26A10LR14
RF	726	B	15	B7	G	26A15L14
RF	726	B	15	B7	J	26A15R14
RF	726	B	15	B7	H	26A15LR14
RF	726	B	20	B7	G	26A20L14
RF	726	B	20	B7	J	26A20R14
RF	726	B	20	B7	H	26A20LR14
RF	726	B	25	B7	G	26A25L14
RF	726	B	25	B7	J	26A25R14
RF	726	B	25	B7	H	26A25LR14
RF	726	B	30	B7	G	26A30L14
RF	726	B	30	B7	J	26A30R14
RF	726	B	30	B7	H	26A30LR14
RF	726	B	40	B7	G	26A40L14
RF	726	B	40	B7	J	26A40R14
RF	726	B	40	B7	H	26A40LR14
RF	726	B	5	B9	G	26A05L18
RF	726	B	5	B9	J	26A05R18
RF	726	B	5	B9	H	26A05LR18
RF	726	B	7.5	B9	G	26A07L18
RF	726	B	7.5	B9	J	26A07R18
RF	726	B	7.5	B9	H	26A07LR18
RF	726	B	10	B9	G	26A10L18
RF	726	B	10	B9	J	26A10R18
RF	726	B	10	B9	H	26A10LR18

Metric Reducers – Ratings & Dimensions

Ratio multiplier

Accessories

Competitor interchange

Renewal parts

Part number index

Competitor interchange

Boston quill input

3.25" Center distance

Quill input

Boston nomenclature						Tigear® equivalent
F	732	B	10	B5	G	32Q10L56
F	732	B	10	B5	J	32Q10R56
F	732	B	10	B5	H	32Q10LR56
F	732	B	15	B5	G	32Q15L56
F	732	B	15	B5	J	32Q15R56
F	732	B	15	B5	H	32Q15LR56
F	732	B	20	B5	G	32Q20L56
F	732	B	20	B5	J	32Q20R56
F	732	B	20	B5	H	32Q20LR56
F	732	B	25	B5	G	32Q25L56
F	732	B	25	B5	J	32Q25R56
F	732	B	25	B5	H	32Q25LR56
F	732	B	30	B5	G	32Q30L56
F	732	B	30	B5	J	32Q30R56
F	732	B	30	B5	H	32Q30LR56
F	732	B	40	B5	G	32Q40L56
F	732	B	40	B5	J	32Q40R56
F	732	B	40	B5	H	32Q40LR56
F	732	B	50	B5	G	32Q50L56
F	732	B	50	B5	J	32Q50R56
F	732	B	50	B5	H	32Q50LR56
F	732	B	60	B5	G	32Q60L56
F	732	B	60	B5	J	32Q60R56
F	732	B	60	B5	H	32Q60LR56
F	732	B	5	B7	G	32Q05L14
F	732	B	5	B7	J	32Q05R14
F	732	B	5	B7	H	32Q05LR14
F	732	B	10	B7	G	32Q10L14
F	732	B	10	B7	J	32Q10R14
F	732	B	10	B7	H	32Q10LR14
F	732	B	15	B7	G	32Q15L14
F	732	B	15	B7	J	32Q15R14
F	732	B	15	B7	H	32Q15LR14

Boston nomenclature						Tigear® equivalent
F	732	B	20	B7	G	32Q20L14
F	732	B	20	B7	J	32Q20R14
F	732	B	20	B7	H	32Q20LR14
F	732	B	25	B7	G	32Q25L14
F	732	B	25	B7	J	32Q25R14
F	732	B	25	B7	H	32Q25LR14
F	732	B	30	B7	G	32Q30L14
F	732	B	30	B7	J	32Q30R14
F	732	B	30	B7	H	32Q30LR14
F	732	B	40	B7	G	32Q40L14
F	732	B	40	B7	J	32Q40R14
F	732	B	40	B7	H	32Q40LR14
F	732	B	50	B7	G	32Q50L14
F	732	B	50	B7	J	32Q50R14
F	732	B	50	B7	H	32Q50LR14
F	732	B	60	B7	G	32Q60L14
F	732	B	60	B7	J	32Q60R14
F	732	B	60	B7	H	32Q60LR14
F	732	B	5	B9	G	32Q05L18
F	732	B	5	B9	J	32Q05R18
F	732	B	5	B9	H	32Q05LR18
F	732	B	10	B9	G	32Q10L18
F	732	B	10	B9	J	32Q10R18
F	732	B	10	B9	H	32Q10LR18
F	732	B	15	B9	G	32Q15L18
F	732	B	15	B9	J	32Q15R18
F	732	B	15	B9	H	32Q15LR18
F	732	B	20	B9	G	32Q20L18
F	732	B	20	B9	J	32Q20R18
F	732	B	20	B9	H	32Q20LR18
F	732	B	25	B9	G	32Q25L18
F	732	B	25	B9	J	32Q25R18
F	732	B	25	B9	H	32Q25LR18

Note: If Boston nomenclature includes "B" add 32BASE.

Metric Reducers – Ratings & Dimensions
Ratio multiplier
Accessories
Competitor Interchange
Renewal parts
Part number index

Competitor interchange

Boston coupled input

3.25" Center distance

Coupled input

Boston nomenclature						Tigear® equivalent
RF	732	B	10	B5	G	32A10L56
RF	732	B	10	B5	J	32A10R56
RF	732	B	10	B5	H	32A10LR56
RF	732	B	15	B5	G	32A15L56
RF	732	B	15	B5	J	32A15R56
RF	732	B	15	B5	H	32A15LR56
RF	732	B	20	B5	G	32A20L56
RF	732	B	20	B5	J	32A20R56
RF	732	B	20	B5	H	32A20LR56
RF	732	B	25	B5	G	32A25L56
RF	732	B	25	B5	J	32A25R56
RF	732	B	25	B5	H	32A25LR56
RF	732	B	30	B5	G	32A30L56
RF	732	B	30	B5	J	32A30R56
RF	732	B	30	B5	H	32A30LR56
RF	732	B	40	B5	G	32A40L56
RF	732	B	40	B5	J	32A40R56
RF	732	B	40	B5	H	32A40LR56
RF	732	B	50	B5	G	32A50L56
RF	732	B	50	B5	J	32A50R56
RF	732	B	50	B5	H	32A50LR56
RF	732	B	60	B5	G	32A60L56
RF	732	B	60	B5	J	32A60R56
RF	732	B	60	B5	H	32A60LR56
RF	732	B	5	B7	G	32A05L14
RF	732	B	5	B7	J	32A05R14
RF	732	B	5	B7	H	32A05LR14
RF	732	B	10	B7	G	32A10L14
RF	732	B	10	B7	J	32A10R14
RF	732	B	10	B7	H	32A10LR14
RF	732	B	15	B7	G	32A15L14
RF	732	B	15	B7	J	32A15R14
RF	732	B	15	B7	H	32A15LR14

Note: If Boston nomenclature includes "B" add 32BASE.

Boston nomenclature						Tigear® equivalent
RF	732	B	20	B7	G	32A20L14
RF	732	B	20	B7	J	32A20R14
RF	732	B	20	B7	H	32A20LR14
RF	732	B	25	B7	G	32A25L14
RF	732	B	25	B7	J	32A25R14
RF	732	B	25	B7	H	32A25LR14
RF	732	B	30	B7	G	32A30L14
RF	732	B	30	B7	J	32A30R14
RF	732	B	30	B7	H	32A30LR14
RF	732	B	40	B7	G	32A40L14
RF	732	B	40	B7	J	32A40R14
RF	732	B	40	B7	H	32A40LR14
RF	732	B	50	B7	G	32A50L14
RF	732	B	50	B7	J	32A50R14
RF	732	B	50	B7	H	32A50LR14
RF	732	B	60	B7	G	32A60L14
RF	732	B	60	B7	J	32A60R14
RF	732	B	60	B7	H	32A60LR14
RF	732	B	5	B9	G	32A05L18
RF	732	B	5	B9	J	32A05R18
RF	732	B	5	B9	H	32A05LR18
RF	732	B	10	B9	G	32A10L18
RF	732	B	10	B9	J	32A10R18
RF	732	B	10	B9	H	32A10LR18
RF	732	B	15	B9	G	32A15L18
RF	732	B	15	B9	J	32A15R18
RF	732	B	15	B9	H	32A15LR18
RF	732	B	20	B9	G	32A20L18
RF	732	B	20	B9	J	32A20R18
RF	732	B	20	B9	H	32A20LR18
RF	732	B	25	B9	G	32A25L18
RF	732	B	25	B9	J	32A25R18
RF	732	B	25	B9	H	32A25LR18

Competitor interchange

Boston quill input / coupled input

3.75" Center distance

Quill input

Boston nomenclature						Tigear® equivalent
F	738	B	40	B7	G	38Q40L14
F	738	B	40	B7	J	38Q40R14
F	738	B	40	B7	H	38Q40LR14
F	738	B	50	B7	G	38Q50L14
F	738	B	50	B7	J	38Q50R14
F	738	B	50	B7	H	38Q50LR14
F	738	B	60	B7	G	38Q60L14
F	738	B	60	B7	J	38Q60R14
F	738	B	60	B7	H	38Q60LR14
F	738	B	15	B9	G	38Q15L18
F	738	B	15	B9	J	38Q15R18
F	738	B	15	B9	H	38Q15LR18
F	738	B	20	B9	G	38Q20L18
F	738	B	20	B9	J	38Q20R18
F	738	B	20	B9	H	38Q20LR18
F	738	B	25	B9	G	38Q25L18
F	738	B	25	B9	J	38Q25R18
F	738	B	25	B9	H	38Q25LR18
F	738	B	30	B9	G	38Q30L18
F	738	B	30	B9	J	38Q30R18
F	738	B	30	B9	H	38Q30LR18
F	738	B	40	B9	G	38Q38L18
F	738	B	40	B9	J	38Q38R18
F	738	B	40	B9	H	38Q38LR18
F	738	B	50	B9	G	38Q50L18
F	738	B	50	B9	J	38Q50R18
F	738	B	50	B9	H	38Q50LR18
F	738	B	60	B9	G	38Q60R18
F	738	B	60	B9	J	38Q60R18
F	738	B	60	B9	H	38Q60LR18
F	738	B	5	B11	G	38Q05L21
F	738	B	5	B11	J	38Q05R21
F	738	B	5	B11	H	38Q05LR21
F	738	B	10	B11	G	38Q10L21
F	738	B	10	B11	J	38Q10R21
F	738	B	10	B11	H	38Q10LR21
F	738	B	15	B11	G	38Q15L21
F	738	B	15	B11	J	38Q15R21
F	738	B	15	B11	H	38Q15LR21
F	738	B	20	B11	G	38Q20L21
F	738	B	20	B11	J	38Q20R21
F	738	B	20	B11	H	38Q20LR21

Note: If Boston nomenclature includes "B" add 38BASE.

Coupled input

Boston nomenclature						Tigear® equivalent
RF	738	B	40	B7	G	38A40L14
RF	738	B	40	B7	J	38A40R14
RF	738	B	40	B7	H	38A40LR14
RF	738	B	50	B7	G	38A50L14
RF	738	B	50	B7	J	38A50R14
RF	738	B	50	B7	H	38A50LR14
RF	738	B	60	B7	G	38A60L14
RF	738	B	60	B7	J	38A60R14
RF	738	B	60	B7	H	38A60LR14
RF	738	B	15	B9	G	38A15L18
RF	738	B	15	B9	J	38A15R18
RF	738	B	15	B9	H	38A15LR18
RF	738	B	20	B9	G	38A20L18
RF	738	B	20	B9	J	38A20R18
RF	738	B	20	B9	H	38A20LR18
RF	738	B	25	B9	G	38A25L18
RF	738	B	25	B9	J	38A25R18
RF	738	B	25	B9	H	38A25LR18
RF	738	B	30	B9	G	38A30L18
RF	738	B	30	B9	J	38A30R18
RF	738	B	30	B9	H	38A30LR18
RF	738	B	40	B9	G	38A38L18
RF	738	B	40	B9	J	38A38R18
RF	738	B	40	B9	H	38A38LR18
RF	738	B	50	B9	G	38A50L18
RF	738	B	50	B9	J	38A50R18
RF	738	B	50	B9	H	38A50LR18
RF	738	B	60	B9	G	38A60L18
RF	738	B	60	B9	J	38A60R18
RF	738	B	60	B9	H	38A60LR18
RF	738	B	5	B11	G	38A05L21
RF	738	B	5	B11	J	38A05R21
RF	738	B	5	B11	H	38A05LR21
RF	738	B	10	B11	G	38A10L21
RF	738	B	10	B11	J	38A10R21
RF	738	B	10	B11	H	38A10LR21
RF	738	B	15	B11	G	38A15L21
RF	738	B	15	B11	J	38A15R21
RF	738	B	15	B11	H	38A15LR21
RF	738	B	20	B11	G	38A20L21
RF	738	B	20	B11	J	38A20R21
RF	738	B	20	B11	H	38A20LR21

Metric Reducers – Ratings & Dimensions
Ratio multiplier
Accessories
Competitor Interchange
Renewal parts
Part number index

Competitor interchange

Grove quill input

1.33" Center distance

Quill input

Add 13BASE for Tigear®-2

Grove nomenclature					Tigear® equivalent
TMQ	813	5	D	56C	13Q05LR56
TMQ	813	5	L	56C	13Q05L56
TMQ	813	5	R	56C	13Q05R56
TMQ	813	10	D	56C	13Q10LR56
TMQ	813	10	L	56C	13Q10L56
TMQ	813	10	R	56C	13Q10R56
TMQ	813	15	D	56C	13Q15LR56
TMQ	813	15	L	56C	13Q15L56
TMQ	813	15	R	56C	13Q15R56
TMQ	813	20	D	56C	13Q20LR56
TMQ	813	20	L	56C	13Q20L56
TMQ	813	20	R	56C	13Q20R56
TMQ	813	25	D	56C	13Q25LR56
TMQ	813	25	L	56C	13Q25L56
TMQ	813	25	R	56C	13Q25R56
TMQ	813	30	D	56C	13Q30LR56
TMQ	813	30	L	56C	13Q30L56
TMQ	813	30	R	56C	13Q30R56
TMQ	813	40	D	56C	13Q40LR56
TMQ	813	40	L	56C	13Q40L56
TMQ	813	40	R	56C	13Q40R56
TMQ	813	50	D	56C	13Q50LR56
TMQ	813	50	L	56C	13Q50L56
TMQ	813	50	R	56C	13Q50R56
TMQ	813	60	D	56C	13Q60LR56
TMQ	813	60	L	56C	13Q60L56
TMQ	813	60	R	56C	13Q60R56

Grove nomenclature					Tigear® equivalent
BMQ	813	5	D	56C	13Q05LR56
BMQ	813	5	L	56C	13Q05L56
BMQ	813	5	R	56C	13Q05R56
BMQ	813	10	D	56C	13Q10LR56
BMQ	813	10	L	56C	13Q10L56
BMQ	813	10	R	56C	13Q10R56
BMQ	813	15	D	56C	13Q15LR56
BMQ	813	15	L	56C	13Q15L56
BMQ	813	15	R	56C	13Q15R56
BMQ	813	20	D	56C	13Q20LR56
BMQ	813	20	L	56C	13Q20L56
BMQ	813	20	R	56C	13Q20R56
BMQ	813	25	D	56C	13Q25LR56
BMQ	813	25	L	56C	13Q25L56
BMQ	813	25	R	56C	13Q25R56
BMQ	813	30	D	56C	13Q30LR56
BMQ	813	30	L	56C	13Q30L56
BMQ	813	30	R	56C	13Q30R56
BMQ	813	40	D	56C	13Q40LR56
BMQ	813	40	L	56C	13Q40L56
BMQ	813	40	R	56C	13Q40R56
BMQ	813	50	D	56C	13Q50LR56
BMQ	813	50	L	56C	13Q50L56
BMQ	813	50	R	56C	13Q50R56
BMQ	813	60	D	56C	13Q60LR56
BMQ	813	60	L	56C	13Q60L56
BMQ	813	60	R	56C	13Q60R56

Metric Reducers – Ratings & Dimensions

Ratio multiplier

Accessories

Competitor interchange

Renewal parts

Part number index

Competitor interchange

Grove coupled input

1.33" Center distance

Coupled input

Add 13BASE for Tigear®-2

Grove nomenclature						Tigear® equivalent
TM	813	5	D	56C	13A05LR56	
TM	813	5	L	56C	13A05L56	
TM	813	5	R	56C	13A05R56	
TM	813	10	D	56C	13A10LR56	
TM	813	10	L	56C	13A10L56	
TM	813	10	R	56C	13A10R56	
TM	813	15	D	56C	13A15LR56	
TM	813	15	L	56C	13A15L56	
TM	813	15	R	56C	13A15R56	
TM	813	20	D	56C	13A20LR56	
TM	813	20	L	56C	13A20L56	
TM	813	20	R	56C	13A20R56	
TM	813	25	D	56C	13A25LR56	
TM	813	25	L	56C	13A25L56	
TM	813	25	R	56C	13A25R56	
TM	813	30	D	56C	13A30LR56	
TM	813	30	L	56C	13A30L56	
TM	813	30	R	56C	13A30R56	
TM	813	40	D	56C	13A40LR56	
TM	813	40	L	56C	13A40L56	
TM	813	40	R	56C	13A40R56	
TM	813	50	D	56C	13A50LR56	
TM	813	50	L	56C	13A50L56	
TM	813	50	R	56C	13A50R56	
TM	813	60	D	56C	13A60LR56	
TM	813	60	L	56C	13A60L56	
TM	813	60	R	56C	13A60R56	

Grove nomenclature						Tigear® equivalent
BM	813	5	D	56C	13A05LR56	
BM	813	5	L	56C	13A05L56	
BM	813	5	R	56C	13A05R56	
BM	813	10	D	56C	13A10LR56	
BM	813	10	L	56C	13A10L56	
BM	813	10	R	56C	13A10R56	
BM	813	15	D	56C	13A15LR56	
BM	813	15	L	56C	13A15L56	
BM	813	15	R	56C	13A15R56	
BM	813	20	D	56C	13A20LR56	
BM	813	20	L	56C	13A20L56	
BM	813	20	R	56C	13A20R56	
BM	813	25	D	56C	13A25LR56	
BM	813	25	L	56C	13A25L56	
BM	813	25	R	56C	13A25R56	
BM	813	30	D	56C	13A30LR56	
BM	813	30	L	56C	13A30L56	
BM	813	30	R	56C	13A30R56	
BM	813	40	D	56C	13A40LR56	
BM	813	40	L	56C	13A40L56	
BM	813	40	R	56C	13A40R56	
BM	813	50	D	56C	13A50LR56	
BM	813	50	L	56C	13A50L56	
BM	813	50	R	56C	13A50R56	
BM	813	60	D	56C	13A60LR56	
BM	813	60	L	56C	13A60L56	
BM	813	60	R	56C	13A60R56	

Competitor interchange

Grove quill input

1.50" Center distance

Quill input

Add 15BASE for Tigear®-2

Grove nomenclature					Tigear® equivalent
TMQ	815	5	D	56C	15Q05LR56
TMQ	815	5	L	56C	15Q05L56
TMQ	815	5	R	56C	15Q05R56
TMQ	815	10	D	56C	15Q10LR56
TMQ	815	10	L	56C	15Q10L56
TMQ	815	10	R	56C	15Q10R56
TMQ	815	15	D	56C	15Q15LR56
TMQ	815	15	L	56C	15Q15L56
TMQ	815	15	R	56C	15Q15R56
TMQ	815	20	D	56C	15Q20LR56
TMQ	815	20	L	56C	15Q20L56
TMQ	815	20	R	56C	15Q20R56
TMQ	815	25	D	56C	15Q25LR56
TMQ	815	25	L	56C	15Q25L56
TMQ	815	25	R	56C	15Q25R56
TMQ	815	30	D	56C	15Q30LR56
TMQ	815	30	L	56C	15Q30L56
TMQ	815	30	R	56C	15Q30R56
TMQ	815	40	D	56C	15Q40LR56
TMQ	815	40	L	56C	15Q40L56
TMQ	815	40	R	56C	15Q40R56
TMQ	815	50	D	56C	15Q50LR56
TMQ	815	50	L	56C	15Q50L56
TMQ	815	50	R	56C	15Q50R56
TMQ	815	60	D	56C	15Q60LR56
TMQ	815	60	L	56C	15Q60L56
TMQ	815	60	R	56C	15Q60R56

Grove nomenclature					Tigear® equivalent
BMQ	815	5	D	56C	15Q05LR56
BMQ	815	5	L	56C	15Q05L56
BMQ	815	5	R	56C	15Q05R56
BMQ	815	10	D	56C	15Q10LR56
BMQ	815	10	L	56C	15Q10L56
BMQ	815	10	R	56C	15Q10R56
BMQ	815	15	D	56C	15Q15LR56
BMQ	815	15	L	56C	15Q15L56
BMQ	815	15	R	56C	15Q15R56
BMQ	815	20	D	56C	15Q20LR56
BMQ	815	20	L	56C	15Q20L56
BMQ	815	20	R	56C	15Q20R56
BMQ	815	25	D	56C	15Q25LR56
BMQ	815	25	L	56C	15Q25L56
BMQ	815	25	R	56C	15Q25R56
BMQ	815	30	D	56C	15Q30LR56
BMQ	815	30	L	56C	15Q30L56
BMQ	815	30	R	56C	15Q30R56
BMQ	815	40	D	56C	15Q40LR56
BMQ	815	40	L	56C	15Q40L56
BMQ	815	40	R	56C	15Q40R56
BMQ	815	50	D	56C	15Q50LR56
BMQ	815	50	L	56C	15Q50L56
BMQ	815	50	R	56C	15Q50R56
BMQ	815	60	D	56C	15Q60LR56
BMQ	815	60	L	56C	15Q60L56
BMQ	815	60	R	56C	15Q60R56

Metric Reducers – Ratings & Dimensions

Ratio multiplier

Accessories

Competitor interchange

Renewal parts

Part number index

Competitor interchange

Grove coupled input

1.50" Center distance

Coupled input

Add 15BASE for Tigear®-2

Grove nomenclature					Tigear® equivalent
TM	815	5	D	56C	15A05LR56
TM	815	5	L	56C	15A05L56
TM	815	5	R	56C	15A05R56
TM	815	10	D	56C	15A10LR56
TM	815	10	L	56C	15A10L56
TM	815	10	R	56C	15A10R56
TM	815	15	D	56C	15A15LR56
TM	815	15	L	56C	15A15L56
TM	815	15	R	56C	15A15R56
TM	815	20	D	56C	15A20LR56
TM	815	20	L	56C	15A20L56
TM	815	20	R	56C	15A20R56
TM	815	25	D	56C	15A25LR56
TM	815	25	L	56C	15A25L56
TM	815	25	R	56C	15A25R56
TM	815	30	D	56C	15A30LR56
TM	815	30	L	56C	15A30L56
TM	815	30	R	56C	15A30R56
TM	815	40	D	56C	15A40LR56
TM	815	40	L	56C	15A40L56
TM	815	40	R	56C	15A40R56
TM	815	50	D	56C	15A50LR56
TM	815	50	L	56C	15A50L56
TM	815	50	R	56C	15A50R56
TM	815	60	D	56C	15A60LR56
TM	815	60	L	56C	15A60L56
TM	815	60	R	56C	15A60R56

Grove nomenclature					Tigear® equivalent
BM	815	5	D	56C	15A05LR56
BM	815	5	L	56C	15A05L56
BM	815	5	R	56C	15A05R56
BM	815	10	D	56C	15A10LR56
BM	815	10	L	56C	15A10L56
BM	815	10	R	56C	15A10R56
BM	815	15	D	56C	15A15LR56
BM	815	15	L	56C	15A15L56
BM	815	15	R	56C	15A15R56
BM	815	20	D	56C	15A20LR56
BM	815	20	L	56C	15A20L56
BM	815	20	R	56C	15A20R56
BM	815	25	D	56C	15A25LR56
BM	815	25	L	56C	15A25L56
BM	815	25	R	56C	15A25R56
BM	815	30	D	56C	15A30LR56
BM	815	30	L	56C	15A30L56
BM	815	30	R	56C	15A30R56
BM	815	40	D	56C	15A40LR56
BM	815	40	L	56C	15A40L56
BM	815	40	R	56C	15A40R56
BM	815	50	D	56C	15A50LR56
BM	815	50	L	56C	15A50L56
BM	815	50	R	56C	15A50R56
BM	815	60	D	56C	15A60LR56
BM	815	60	L	56C	15A60L56
BM	815	60	R	56C	15A60R56

Metric Reducers – Ratings & Dimensions

Ratio multiplier

Accessories

Competitor interchange

Renewal parts

Part number index

Competitor interchange

Grove quill input

1.75" Center distance

Quill input

Add 17BASE for Tigear®-2

Grove nomenclature					Tigear® equivalent
TMQ	818	5	D	56C	17Q05LR56
TMQ	818	5	L	56C	17Q05L56
TMQ	818	5	R	56C	17Q05R56
TMQ	818	10	D	56C	17Q10LR56
TMQ	818	10	L	56C	17Q10L56
TMQ	818	10	R	56C	17Q10R56
TMQ	818	15	D	56C	17Q15LR56
TMQ	818	15	L	56C	17Q15L56
TMQ	818	15	R	56C	17Q15R56
TMQ	818	20	D	56C	17Q20LR56
TMQ	818	20	L	56C	17Q20L56
TMQ	818	20	R	56C	17Q20R56
TMQ	818	25	D	56C	17Q25LR56
TMQ	818	25	L	56C	17Q25L56
TMQ	818	25	R	56C	17Q25R56
TMQ	818	30	D	56C	17Q30LR56
TMQ	818	30	L	56C	17Q30L56
TMQ	818	30	R	56C	17Q30R56
TMQ	818	40	D	56C	17Q40LR56
TMQ	818	40	L	56C	17Q40L56
TMQ	818	40	R	56C	17Q40R56
TMQ	818	50	D	56C	17Q50LR56
TMQ	818	50	L	56C	17Q50L56
TMQ	818	50	R	56C	17Q50R56
TMQ	818	60	D	56C	17Q60LR56
TMQ	818	60	L	56C	17Q60L56
TMQ	818	60	R	56C	17Q60R56
TMQ	818	5	D	140TC	17Q05LR14
TMQ	818	5	L	140TC	17Q05L14
TMQ	818	5	R	140TC	17Q05R14
TMQ	818	10	D	140TC	17Q10LR14
TMQ	818	10	L	140TC	17Q10L14
TMQ	818	10	R	140TC	17Q10R14
TMQ	818	15	D	140TC	17Q15LR14
TMQ	818	15	L	140TC	17Q15L14
TMQ	818	15	R	140TC	17Q15R14

Grove nomenclature					Tigear® equivalent
BMQ	818	5	D	56C	17Q05LR56
BMQ	818	5	L	56C	17Q05L56
BMQ	818	5	R	56C	17Q05R56
BMQ	818	10	D	56C	17Q10LR56
BMQ	818	10	L	56C	17Q10L56
BMQ	818	10	R	56C	17Q10R56
BMQ	818	15	D	56C	17Q15LR56
BMQ	818	15	L	56C	17Q15L56
BMQ	818	15	R	56C	17Q15R56
BMQ	818	20	D	56C	17Q20LR56
BMQ	818	20	L	56C	17Q20L56
BMQ	818	20	R	56C	17Q20R56
BMQ	818	25	D	56C	17Q25LR56
BMQ	818	25	L	56C	17Q25L56
BMQ	818	25	R	56C	17Q25R56
BMQ	818	30	D	56C	17Q30LR56
BMQ	818	30	L	56C	17Q30L56
BMQ	818	30	R	56C	17Q30R56
BMQ	818	40	D	56C	17Q40LR56
BMQ	818	40	L	56C	17Q40L56
BMQ	818	40	R	56C	17Q40R56
BMQ	818	50	D	56C	17Q50LR56
BMQ	818	50	L	56C	17Q50L56
BMQ	818	50	R	56C	17Q50R56
BMQ	818	60	D	56C	17Q60LR56
BMQ	818	60	L	56C	17Q60L56
BMQ	818	60	R	56C	17Q60R56
BMQ	818	5	D	140TC	17Q05LR14
BMQ	818	5	L	140TC	17Q05L14
BMQ	818	5	R	140TC	17Q05R14
BMQ	818	10	D	140TC	17Q10LR14
BMQ	818	10	L	140TC	17Q10L14
BMQ	818	10	R	140TC	17Q10R14
BMQ	818	15	D	140TC	17Q15LR14
BMQ	818	15	L	140TC	17Q15L14
BMQ	818	15	R	140TC	17Q15R14

Metric Reducers – Ratings & Dimensions

Ratio multiplier

Accessories

Competitor interchange

Renewal parts

Part number index

Competitor interchange

Grove coupled input

1.75" Center distance

Coupled input

Add 17BASE for Tigar®-2

Grove nomenclature						Tigar® equivalent
TM	818	5	D	56C		17A05LR56
TM	818	5	L	56C		17A05L56
TM	818	5	R	56C		17A05R56
TM	818	10	D	56C		17A10LR56
TM	818	10	L	56C		17A10L56
TM	818	10	R	56C		17A10R56
TM	818	15	D	56C		17A15LR56
TM	818	15	L	56C		17A15L56
TM	818	15	R	56C		17A15R56
TM	818	20	D	56C		17A20LR56
TM	818	20	L	56C		17A20L56
TM	818	20	R	56C		17A20R56
TM	818	25	D	56C		17A25LR56
TM	818	25	L	56C		17A25L56
TM	818	25	R	56C		17A25R56
TM	818	30	D	56C		17A30LR56
TM	818	30	L	56C		17A30L56
TM	818	30	R	56C		17A30R56
TM	818	40	D	56C		17A40LR56
TM	818	40	L	56C		17A40L56
TM	818	40	R	56C		17A40R56
TM	818	50	D	56C		17A50LR56
TM	818	50	L	56C		17A50L56
TM	818	50	R	56C		17A50R56
TM	818	60	D	56C		17A60LR56
TM	818	60	L	56C		17A60L56
TM	818	60	R	56C		17A60R56
TM	818	5	D	140TC		17A05LR14
TM	818	5	L	140TC		17A05L14
TM	818	5	R	140TC		17A05R14
TM	818	10	D	140TC		17A10LR14
TM	818	10	L	140TC		17A10L14
TM	818	10	R	140TC		17A10R14
TM	818	15	D	140TC		17A15LR14
TM	818	15	L	140TC		17A15L14
TM	818	15	R	140TC		17A15R14

Grove nomenclature						Tigar® equivalent
BM	818	5	D	56C		17A05LR56
BM	818	5	L	56C		17A05L56
BM	818	5	R	56C		17A05R56
BM	818	10	D	56C		17A10LR56
BM	818	10	L	56C		17A10L56
BM	818	10	R	56C		17A10R56
BM	818	15	D	56C		17A15LR56
BM	818	15	L	56C		17A15L56
BM	818	15	R	56C		17A15R56
BM	818	20	D	56C		17A20LR56
BM	818	20	L	56C		17A20L56
BM	818	20	R	56C		17A20R56
BM	818	25	D	56C		17A25LR56
BM	818	25	L	56C		17A25L56
BM	818	25	R	56C		17A25R56
BM	818	30	D	56C		17A30LR56
BM	818	30	L	56C		17A30L56
BM	818	30	R	56C		17A30R56
BM	818	40	D	56C		17A40LR56
BM	818	40	L	56C		17A40L56
BM	818	40	R	56C		17A40R56
BM	818	50	D	56C		17A50LR56
BM	818	50	L	56C		17A50L56
BM	818	50	R	56C		17A50R56
BM	818	60	D	56C		17A60LR56
BM	818	60	L	56C		17A60L56
BM	818	60	R	56C		17A60R56
BM	818	5	D	140TC		17A05LR14
BM	818	5	L	140TC		17A05L14
BM	818	5	R	140TC		17A05R14
BM	818	10	D	140TC		17A10LR14
BM	818	10	L	140TC		17A10L14
BM	818	10	R	140TC		17A10R14
BM	818	15	D	140TC		17A15LR14
BM	818	15	L	140TC		17A15L14
BM	818	15	R	140TC		17A15R14

Competitor interchange

Grove quill input

2.00" Center distance

Quill input

Add 20BASE for Tigear®-2

Grove nomenclature					Tigear® equivalent
TMQ	821	5	D	56C	20Q05LR56
TMQ	821	5	L	56C	20Q05L56
TMQ	821	5	R	56C	20Q05R56
TMQ	821	10	D	56C	20Q10LR56
TMQ	821	10	L	56C	20Q10L56
TMQ	821	10	R	56C	20Q10R56
TMQ	821	15	D	56C	20Q15LR56
TMQ	821	15	L	56C	20Q15L56
TMQ	821	15	R	56C	20Q15R56
TMQ	821	20	D	56C	20Q20LR56
TMQ	821	20	L	56C	20Q20L56
TMQ	821	20	R	56C	20Q20R56
TMQ	821	25	D	56C	20Q25LR56
TMQ	821	25	L	56C	20Q25L56
TMQ	821	25	R	56C	20Q25R56
TMQ	821	30	D	56C	20Q30LR56
TMQ	821	30	L	56C	20Q30L56
TMQ	821	30	R	56C	20Q30R56
TMQ	821	40	D	56C	20Q40LR56
TMQ	821	40	L	56C	20Q40L56
TMQ	821	40	R	56C	20Q40R56
TMQ	821	50	D	56C	20Q50LR56
TMQ	821	50	L	56C	20Q50L56
TMQ	821	50	R	56C	20Q50R56
TMQ	821	60	D	56C	20Q60LR56
TMQ	821	60	L	56C	20Q60L56
TMQ	821	60	R	56C	20Q60R56
TMQ	821	10	D	140TC	20Q10LR14
TMQ	821	10	L	140TC	20Q10L14
TMQ	821	10	R	140TC	20Q10R14
TMQ	821	15	D	140TC	20Q15LR14
TMQ	821	15	L	140TC	20Q15L14
TMQ	821	15	R	140TC	20Q15R14
TMQ	821	20	D	140TC	20Q20LR14
TMQ	821	20	L	140TC	20Q20L14
TMQ	821	20	R	140TC	20Q20R14
TMQ	821	25	D	140TC	20Q25LR14
TMQ	821	25	L	140TC	20Q25L14
TMQ	821	25	R	140TC	20Q25R14

* See note below

Grove nomenclature					Tigear® equivalent
BMQ	821	5	D	56C	20Q05LR56
BMQ	821	5	L	56C	20Q05L56
BMQ	821	5	R	56C	20Q05R56
BMQ	821	10	D	56C	20Q10LR56
BMQ	821	10	L	56C	20Q10L56
BMQ	821	10	R	56C	20Q10R56
BMQ	821	15	D	56C	20Q15LR56
BMQ	821	15	L	56C	20Q15L56
BMQ	821	15	R	56C	20Q15R56
BMQ	821	20	D	56C	20Q20LR56
BMQ	821	20	L	56C	20Q20L56
BMQ	821	20	R	56C	20Q20R56
BMQ	821	25	D	56C	20Q25LR56
BMQ	821	25	L	56C	20Q25L56
BMQ	821	25	R	56C	20Q25R56
BMQ	821	30	D	56C	20Q30LR56
BMQ	821	30	L	56C	20Q30L56
BMQ	821	30	R	56C	20Q30R56
BMQ	821	40	D	56C	20Q40LR56
BMQ	821	40	L	56C	20Q40L56
BMQ	821	40	R	56C	20Q40R56
BMQ	821	50	D	56C	20Q50LR56
BMQ	821	50	L	56C	20Q50L56
BMQ	821	50	R	56C	20Q50R56
BMQ	821	60	D	56C	20Q60LR56
BMQ	821	60	L	56C	20Q60L56
BMQ	821	60	R	56C	20Q60R56
BMQ	821	10	D	140TC	20Q10LR14
BMQ	821	10	L	140TC	20Q10L14
BMQ	821	10	R	140TC	20Q10R14
BMQ	821	15	D	140TC	20Q15LR14
BMQ	821	15	L	140TC	20Q15L14
BMQ	821	15	R	140TC	20Q15R14
BMQ	821	20	D	140TC	20Q20LR14
BMQ	821	20	L	140TC	20Q20L14
BMQ	821	20	R	140TC	20Q20R14
BMQ	821	25	D	140TC	20Q25LR14
BMQ	821	25	L	140TC	20Q25L14
BMQ	821	25	R	140TC	20Q25R14

* On size 821, Grove footprint dimensions are different from industry standard footprint dimensions.

Competitor interchange

Grove coupled input

2.00" Center distance

Coupled input

Add 20BASE for Tigear®-2

Grove nomenclature					Tigear® equivalent
TM	821	5	D	56C	20A05LR56
TM	821	5	L	56C	20A05L56
TM	821	5	R	56C	20A05R56
TM	821	10	D	56C	20A10LR56
TM	821	10	L	56C	20A10L56
TM	821	10	R	56C	20A10R56
TM	821	15	D	56C	20A15LR56
TM	821	15	L	56C	20A15L56
TM	821	15	R	56C	20A15R56
TM	821	20	D	56C	20A20LR56
TM	821	20	L	56C	20A20L56
TM	821	20	R	56C	20A20R56
TM	821	25	D	56C	20A25LR56
TM	821	25	L	56C	20A25L56
TM	821	25	R	56C	20A25R56
TM	821	30	D	56C	20A30LR56
TM	821	30	L	56C	20A30L56
TM	821	30	R	56C	20A30R56
TM	821	40	D	56C	20A40LR56
TM	821	40	L	56C	20A40L56
TM	821	40	R	56C	20A40R56
TM	821	50	D	56C	20A50LR56
TM	821	50	L	56C	20A50L56
TM	821	50	R	56C	20A50R56
TM	821	60	D	56C	20A60LR56
TM	821	60	L	56C	20A60L56
TM	821	60	R	56C	20A60R56
TM	821	10	D	140TC	20A10LR14
TM	821	10	L	140TC	20A10L14
TM	821	10	R	140TC	20A10R14
TM	821	15	D	140TC	20A15LR14
TM	821	15	L	140TC	20A15L14
TM	821	15	R	140TC	20A15R14
TM	821	20	D	140TC	20A20LR14
TM	821	20	L	140TC	20A20L14
TM	821	20	R	140TC	20A20R14
TM	821	25	D	140TC	20A25LR14
TM	821	25	L	140TC	20A25L14
TM	821	25	R	140TC	20A25R14

* See note below

Grove nomenclature					Tigear® equivalent
BM	821	5	D	56C	20A05LR56
BM	821	5	L	56C	20A05L56
BM	821	5	R	56C	20A05R56
BM	821	10	D	56C	20A10LR56
BM	821	10	L	56C	20A10L56
BM	821	10	R	56C	20A10R56
BM	821	15	D	56C	20A15LR56
BM	821	15	L	56C	20A15L56
BM	821	15	R	56C	20A15R56
BM	821	20	D	56C	20A20LR56
BM	821	20	L	56C	20A20L56
BM	821	20	R	56C	20A20R56
BM	821	25	D	56C	20A25LR56
BM	821	25	L	56C	20A25L56
BM	821	25	R	56C	20A25R56
BM	821	30	D	56C	20A30LR56
BM	821	30	L	56C	20A30L56
BM	821	30	R	56C	20A30R56
BM	821	40	D	56C	20A40LR56
BM	821	40	L	56C	20A40L56
BM	821	40	R	56C	20A40R56
BM	821	50	D	56C	20A50LR56
BM	821	50	L	56C	20A50L56
BM	821	50	R	56C	20A50R56
BM	821	60	D	56C	20A60LR56
BM	821	60	L	56C	20A60L56
BM	821	60	R	56C	20A60R56
BM	821	10	D	140TC	20A10LR14
BM	821	10	L	140TC	20A10L14
BM	821	10	R	140TC	20A10R14
BM	821	15	D	140TC	20A15LR14
BM	821	15	L	140TC	20A15L14
BM	821	15	R	140TC	20A15R14
BM	821	20	D	140TC	20A20LR14
BM	821	20	L	140TC	20A20L14
BM	821	20	R	140TC	20A20R14
BM	821	25	D	140TC	20A25LR14
BM	821	25	L	140TC	20A25L14
BM	821	25	R	140TC	20A25R14

* On size 821, Grove footprint dimensions are different from industry standard footprint dimensions.

Competitor interchange

Grove quill input

2.37" Center distance

Quill input

Add 23BASE for Tigear®-2

Grove nomenclature					Tigear equivalent
TMQ	824	10	D	56C	23Q10LR56
TMQ	824	10	L	56C	23Q10L56
TMQ	824	10	R	56C	23Q10R56
TMQ	824	15	D	56C	23Q15LR56
TMQ	824	15	L	56C	23Q15L56
TMQ	824	15	R	56C	23Q15R56
TMQ	824	20	D	56C	23Q20LR56
TMQ	824	20	L	56C	23Q20L56
TMQ	824	20	R	56C	23Q20R56
TMQ	824	25	D	56C	23Q25LR56
TMQ	824	25	L	56C	23Q25L56
TMQ	824	25	R	56C	23Q25R56
TMQ	824	30	D	56C	23Q30LR56
TMQ	824	30	L	56C	23Q30L56
TMQ	824	30	R	56C	23Q30R56
TMQ	824	40	D	56C	23Q40LR56
TMQ	824	40	L	56C	23Q40L56
TMQ	824	40	R	56C	23Q40R56
TMQ	824	50	D	56C	23Q50LR56
TMQ	824	50	L	56C	23Q50L56
TMQ	824	50	R	56C	23Q50R56
TMQ	824	60	D	56C	23Q60LR56
TMQ	824	60	L	56C	23Q60L56
TMQ	824	60	R	56C	23Q60R56
TMQ	824	5	D	140TC	23Q05LR14
TMQ	824	5	L	140TC	23Q05L14
TMQ	824	5	R	140TC	23Q05R14
TMQ	824	10	D	140TC	23Q10LR14
TMQ	824	10	L	140TC	23Q10L14
TMQ	824	10	R	140TC	23Q10R14
TMQ	824	15	D	140TC	23Q15LR14
TMQ	824	15	L	140TC	23Q15L14
TMQ	824	15	R	140TC	23Q15R14
TMQ	824	20	D	140TC	23Q20LR14
TMQ	824	20	L	140TC	23Q20L14
TMQ	824	20	R	140TC	23Q20R14
TMQ	824	25	D	140TC	23Q25LR14
TMQ	824	25	L	140TC	23Q25L14
TMQ	824	25	R	140TC	23Q25R14
TMQ	824	30	D	140TC	23Q30LR14
TMQ	824	30	L	140TC	23Q30L14
TMQ	824	30	R	140TC	23Q30R14
TMQ	824	40	D	140TC	23Q40LR14
TMQ	824	40	L	140TC	23Q40L14
TMQ	824	40	R	140TC	23Q40R14
TMQ	824	5	D	180TC	23Q05LR18
TMQ	824	5	L	180TC	23Q05L18
TMQ	824	5	R	180TC	23Q05R18
TMQ	824	10	D	180TC	23Q10LR18
TMQ	824	10	L	180TC	23Q10L18
TMQ	824	10	R	180TC	23Q10R18

Grove nomenclature					Tigear equivalent
BMQ	824	10	D	56C	23Q10LR56
BMQ	824	10	L	56C	23Q10L56
BMQ	824	10	R	56C	23Q10R56
BMQ	824	15	D	56C	23Q15LR56
BMQ	824	15	L	56C	23Q15L56
BMQ	824	15	R	56C	23Q15R56
BMQ	824	20	D	56C	23Q20LR56
BMQ	824	20	L	56C	23Q20L56
BMQ	824	20	R	56C	23Q20R56
BMQ	824	25	D	56C	23Q25LR56
BMQ	824	25	L	56C	23Q25L56
BMQ	824	25	R	56C	23Q25R56
BMQ	824	30	D	56C	23Q30LR56
BMQ	824	30	L	56C	23Q30L56
BMQ	824	30	R	56C	23Q30R56
BMQ	824	40	D	56C	23Q40LR56
BMQ	824	40	L	56C	23Q40L56
BMQ	824	40	R	56C	23Q40R56
BMQ	824	50	D	56C	23Q50LR56
BMQ	824	50	L	56C	23Q50L56
BMQ	824	50	R	56C	23Q50R56
BMQ	824	60	D	56C	23Q60LR56
BMQ	824	60	L	56C	23Q60L56
BMQ	824	60	R	56C	23Q60R56
BMQ	824	5	D	140TC	23Q05LR14
BMQ	824	5	L	140TC	23Q05L14
BMQ	824	5	R	140TC	23Q05R14
BMQ	824	10	D	140TC	23Q10LR14
BMQ	824	10	L	140TC	23Q10L14
BMQ	824	10	R	140TC	23Q10R14
BMQ	824	15	D	140TC	23Q15LR14
BMQ	824	15	L	140TC	23Q15L14
BMQ	824	15	R	140TC	23Q15R14
BMQ	824	20	D	140TC	23Q20LR14
BMQ	824	20	L	140TC	23Q20L14
BMQ	824	20	R	140TC	23Q20R14
BMQ	824	25	D	140TC	23Q25LR14
BMQ	824	25	L	140TC	23Q25L14
BMQ	824	25	R	140TC	23Q25R14
BMQ	824	30	D	140TC	23Q30LR14
BMQ	824	30	L	140TC	23Q30L14
BMQ	824	30	R	140TC	23Q30R14
BMQ	824	40	D	140TC	23Q40LR14
BMQ	824	40	L	140TC	23Q40L14
BMQ	824	40	R	140TC	23Q40R14
BMQ	824	5	D	180TC	23Q05LR18
BMQ	824	5	L	180TC	23Q05L18
BMQ	824	5	R	180TC	23Q05R18
BMQ	824	10	D	180TC	23Q10LR18
BMQ	824	10	L	180TC	23Q10L18
BMQ	824	10	R	180TC	23Q10R18

Metric Reducers – Ratings & Dimensions

Ratio multiplier

Accessories

Competitor interchange

Renewal parts

Part number index

Competitor interchange

Grove coupled input

2.37" Center distance

Coupled input

Add 23BASE for Tigar®-2

Grove nomenclature					Tigar equivalent
TM	824	10	D	56C	23A10LR56
TM	824	10	L	56C	23A10L56
TM	824	10	R	56C	23A10R56
TM	824	15	D	56C	23A15LR56
TM	824	15	L	56C	23A15L56
TM	824	15	R	56C	23A15R56
TM	824	20	D	56C	23A20LR56
TM	824	20	L	56C	23A20L56
TM	824	20	R	56C	23A20R56
TM	824	25	D	56C	23A25LR56
TM	824	25	L	56C	23A25L56
TM	824	25	R	56C	23A25R56
TM	824	30	D	56C	23A30LR56
TM	824	30	L	56C	23A30L56
TM	824	30	R	56C	23A30R56
TM	824	40	D	56C	23A40LR56
TM	824	40	L	56C	23A40L56
TM	824	40	R	56C	23A40R56
TM	824	50	D	56C	23A50LR56
TM	824	50	L	56C	23A50L56
TM	824	50	R	56C	23A50R56
TM	824	60	D	56C	23A60LR56
TM	824	60	L	56C	23A60L56
TM	824	60	R	56C	23A60R56
TM	824	5	D	140TC	23A05LR14
TM	824	5	L	140TC	23A05L14
TM	824	5	R	140TC	23A05R14
TM	824	10	D	140TC	23A10LR14
TM	824	10	L	140TC	23A10L14
TM	824	10	R	140TC	23A10R14
TM	824	15	D	140TC	23A15LR14
TM	824	15	L	140TC	23A15L14
TM	824	15	R	140TC	23A15R14
TM	824	20	D	140TC	23A20LR14
TM	824	20	L	140TC	23A20L14
TM	824	20	R	140TC	23A20R14
TM	824	25	D	140TC	23A25LR14
TM	824	25	L	140TC	23A25L14
TM	824	25	R	140TC	23A25R14
TM	824	30	D	140TC	23A30LR14
TM	824	30	L	140TC	23A30L14
TM	824	30	R	140TC	23A30R14
TM	824	40	D	140TC	23A40LR14
TM	824	40	L	140TC	23A40L14
TM	824	40	R	140TC	23A40R14
TM	824	5	D	180TC	23A05LR18
TM	824	5	L	180TC	23A05L18
TM	824	5	R	180TC	23A05R18
TM	824	10	D	180TC	23A10LR18
TM	824	10	L	180TC	23A10L18
TM	824	10	R	180TC	23A10R18

Grove nomenclature					Tigar equivalent
BM	824	10	D	56C	23A10LR56
BM	824	10	L	56C	23A10L56
BM	824	10	R	56C	23A10R56
BM	824	15	D	56C	23A15LR56
BM	824	15	L	56C	23A15L56
BM	824	15	R	56C	23A15R56
BM	824	20	D	56C	23A20LR56
BM	824	20	L	56C	23A20L56
BM	824	20	R	56C	23A20R56
BM	824	25	D	56C	23A25LR56
BM	824	25	L	56C	23A25L56
BM	824	25	R	56C	23A25R56
BM	824	30	D	56C	23A30LR56
BM	824	30	L	56C	23A30L56
BM	824	30	R	56C	23A30R56
BM	824	40	D	56C	23A40LR56
BM	824	40	L	56C	23A40L56
BM	824	40	R	56C	23A40R56
BM	824	50	D	56C	23A50LR56
BM	824	50	L	56C	23A50L56
BM	824	50	R	56C	23A50R56
BM	824	60	D	56C	23A60LR56
BM	824	60	L	56C	23A60L56
BM	824	60	R	56C	23A60R56
BM	824	5	D	140TC	23A05LR14
BM	824	5	L	140TC	23A05L14
BM	824	5	R	140TC	23A05R14
BM	824	10	D	140TC	23A10LR14
BM	824	10	L	140TC	23A10L14
BM	824	10	R	140TC	23A10R14
BM	824	15	D	140TC	23A15LR14
BM	824	15	L	140TC	23A15L14
BM	824	15	R	140TC	23A15R14
BM	824	20	D	140TC	23A20LR14
BM	824	20	L	140TC	23A20L14
BM	824	20	R	140TC	23A20R14
BM	824	25	D	140TC	23A25LR14
BM	824	25	L	140TC	23A25L14
BM	824	25	R	140TC	23A25R14
BM	824	30	D	140TC	23A30LR14
BM	824	30	L	140TC	23A30L14
BM	824	30	R	140TC	23A30R14
BM	824	40	D	140TC	23A40LR14
BM	824	40	L	140TC	23A40L14
BM	824	40	R	140TC	23A40R14
BM	824	5	D	180TC	23A05LR18
BM	824	5	L	180TC	23A05L18
BM	824	5	R	180TC	23A05R18
BM	824	10	D	180TC	23A10LR18
BM	824	10	L	180TC	23A10L18
BM	824	10	R	180TC	23A10R18

Competitor interchange

Grove quill input

2.62" Center distance

Quill input

Add 26BASE for Tigear®-2

Grove nomenclature					Tigear equivalent
TMQ	826	10	D	56C	26Q10LR56
TMQ	826	10	L	56C	26Q10L56
TMQ	826	10	R	56C	26Q10R56
TMQ	826	15	D	56C	26Q15LR56
TMQ	826	15	L	56C	26Q15L56
TMQ	826	15	R	56C	26Q15R56
TMQ	826	20	D	56C	26Q20LR56
TMQ	826	20	L	56C	26Q20L56
TMQ	826	20	R	56C	26Q20R56
TMQ	826	25	D	56C	26Q25LR56
TMQ	826	25	L	56C	26Q25L56
TMQ	826	25	R	56C	26Q25R56
TMQ	826	30	D	56C	26Q30LR56
TMQ	826	30	L	56C	26Q30L56
TMQ	826	30	R	56C	26Q30R56
TMQ	826	40	D	56C	26Q40LR56
TMQ	826	40	L	56C	26Q40L56
TMQ	826	40	R	56C	26Q40R56
TMQ	826	50	D	56C	26Q50LR56
TMQ	826	50	L	56C	26Q50L56
TMQ	826	50	R	56C	26Q50R56
TMQ	826	60	D	56C	26Q60LR56
TMQ	826	60	L	56C	26Q60L56
TMQ	826	60	R	56C	26Q60R56
TMQ	826	5	D	140TC	26Q05LR14
TMQ	826	5	L	140TC	26Q05L14
TMQ	826	5	R	140TC	26Q05R14
TMQ	826	7.5	D	140TC	26Q07LR14
TMQ	826	7.5	L	140TC	26Q07L14
TMQ	826	7.5	R	140TC	26Q07R14
TMQ	826	10	D	140TC	26Q10LR14
TMQ	826	10	L	140TC	26Q10L14
TMQ	826	10	R	140TC	26Q10R14
TMQ	826	15	D	140TC	26Q15LR14
TMQ	826	15	L	140TC	26Q15L14
TMQ	826	15	R	140TC	26Q15R14
TMQ	826	20	D	140TC	26Q20LR14
TMQ	826	20	L	140TC	26Q20L14
TMQ	826	20	R	140TC	26Q20R14
TMQ	826	25	D	140TC	26Q25LR14
TMQ	826	25	L	140TC	26Q25L14
TMQ	826	25	R	140TC	26Q25R14
TMQ	826	30	D	140TC	26Q30LR14
TMQ	826	30	L	140TC	26Q30L14
TMQ	826	30	R	140TC	26Q30R14
TMQ	826	40	D	140TC	26Q40LR14
TMQ	826	40	L	140TC	26Q40L14
TMQ	826	40	R	140TC	26Q40R14
TMQ	826	5	D	180TC	26Q05LR18
TMQ	826	5	L	180TC	26Q05L18
TMQ	826	5	R	180TC	26Q05R18
TMQ	826	7.5	D	180TC	26Q07LR18
TMQ	826	7.5	L	180TC	26Q07L18
TMQ	826	7.5	R	180TC	26Q07R18
TMQ	826	10	D	180TC	26Q10LR18
TMQ	826	10	L	180TC	26Q10L18
TMQ	826	10	R	180TC	26Q10R18

* See note below

Grove nomenclature					Tigear equivalent
BMQ	826	10	D	56C	26Q10LR56
BMQ	826	10	L	56C	26Q10L56
BMQ	826	10	R	56C	26Q10R56
BMQ	826	15	D	56C	26Q15LR56
BMQ	826	15	L	56C	26Q15L56
BMQ	826	15	R	56C	26Q15R56
BMQ	826	20	D	56C	26Q20LR56
BMQ	826	20	L	56C	26Q20L56
BMQ	826	20	R	56C	26Q20R56
BMQ	826	25	D	56C	26Q25LR56
BMQ	826	25	L	56C	26Q25L56
BMQ	826	25	R	56C	26Q25R56
BMQ	826	30	D	56C	26Q30LR56
BMQ	826	30	L	56C	26Q30L56
BMQ	826	30	R	56C	26Q30R56
BMQ	826	40	D	56C	26Q40LR56
BMQ	826	40	L	56C	26Q40L56
BMQ	826	40	R	56C	26Q40R56
BMQ	826	50	D	56C	26Q50LR56
BMQ	826	50	L	56C	26Q50L56
BMQ	826	50	R	56C	26Q50R56
BMQ	826	60	D	56C	26Q60LR56
BMQ	826	60	L	56C	26Q60L56
BMQ	826	60	R	56C	26Q60R56
BMQ	826	5	D	140TC	26Q05LR14
BMQ	826	5	L	140TC	26Q05L14
BMQ	826	5	R	140TC	26Q05R14
BMQ	826	7.5	D	140TC	26Q07LR14
BMQ	826	7.5	L	140TC	26Q07L14
BMQ	826	7.5	R	140TC	26Q07R14
BMQ	826	10	D	140TC	26Q10LR14
BMQ	826	10	L	140TC	26Q10L14
BMQ	826	10	R	140TC	26Q10R14
BMQ	826	15	D	140TC	26Q15LR14
BMQ	826	15	L	140TC	26Q15L14
BMQ	826	15	R	140TC	26Q15R14
BMQ	826	20	D	140TC	26Q20LR14
BMQ	826	20	L	140TC	26Q20L14
BMQ	826	20	R	140TC	26Q20R14
BMQ	826	25	D	140TC	26Q25LR14
BMQ	826	25	L	140TC	26Q25L14
BMQ	826	25	R	140TC	26Q25R14
BMQ	826	30	D	140TC	26Q30LR14
BMQ	826	30	L	140TC	26Q30L14
BMQ	826	30	R	140TC	26Q30R14
BMQ	826	40	D	140TC	26Q40LR14
BMQ	826	40	L	140TC	26Q40L14
BMQ	826	40	R	140TC	26Q40R14
BMQ	826	5	D	180TC	26Q05LR18
BMQ	826	5	L	180TC	26Q05L18
BMQ	826	5	R	180TC	26Q05R18
BMQ	826	7.5	D	180TC	26Q07LR18
BMQ	826	7.5	L	180TC	26Q07L18
BMQ	826	7.5	R	180TC	26Q07R18
BMQ	826	10	D	180TC	26Q10LR18
BMQ	826	10	L	180TC	26Q10L18
BMQ	826	10	R	180TC	26Q10R18

* On size 826, Grove output shaft dimension of 1.25 inches is different from industry standard of 1.125 inches.

Competitor interchange

Grove coupled input

2.62" Center distance

Coupled input

Add 26BASE for Tigeat®-2

Grove nomenclature					Tigear equivalent
TM	826	10	D	56C	26A10LR56
TM	826	10	L	56C	26A10L56
TM	826	10	R	56C	26A10R56
TM	826	15	D	56C	26A15LR56
TM	826	15	L	56C	26A15L56
TM	826	15	R	56C	26A15R56
TM	826	20	D	56C	26A20LR56
TM	826	20	L	56C	26A20L56
TM	826	20	R	56C	26A20R56
TM	826	25	D	56C	26A25LR56
TM	826	25	L	56C	26A25L56
TM	826	25	R	56C	26A25R56
TM	826	30	D	56C	26A30LR56
TM	826	30	L	56C	26A30L56
TM	826	30	R	56C	26A30R56
TM	826	40	D	56C	26A40LR56
TM	826	40	L	56C	26A40L56
TM	826	40	R	56C	26A40R56
TM	826	50	D	56C	26A50LR56
TM	826	50	L	56C	26A50L56
TM	826	50	R	56C	26A50R56
TM	826	60	D	56C	26A60LR56
TM	826	60	L	56C	26A60L56
TM	826	60	R	56C	26A60R56
TM	826	5	D	140TC	26A05LR14
TM	826	5	L	140TC	26A05L14
TM	826	5	R	140TC	26A05R14
TM	826	7.5	D	140TC	26A07LR14
TM	826	7.5	L	140TC	26A07L14
TM	826	7.5	R	140TC	26A07R14
TM	826	10	D	140TC	26A10LR14
TM	826	10	L	140TC	26A10L14
TM	826	10	R	140TC	26A10R14
TM	826	15	D	140TC	26A15LR14
TM	826	15	L	140TC	26A15L14
TM	826	15	R	140TC	26A15R14
TM	826	20	D	140TC	26A20LR14
TM	826	20	L	140TC	26A20L14
TM	826	20	R	140TC	26A20R14
TM	826	25	D	140TC	26A25LR14
TM	826	25	L	140TC	26A25L14
TM	826	25	R	140TC	26A25R14
TM	826	30	D	140TC	26A30LR14
TM	826	30	L	140TC	26A30L14
TM	826	30	R	140TC	26A30R14
TM	826	40	D	140TC	26A40LR14
TM	826	40	L	140TC	26A40L14
TM	826	40	R	140TC	26A40R14
TM	826	5	D	180TC	26A05LR18
TM	826	5	L	180TC	26A05L18
TM	826	5	R	180TC	26A05R18
TM	826	7.5	D	180TC	26A07LR18
TM	826	7.5	L	180TC	26A07L18
TM	826	7.5	R	180TC	26A07R18
TM	826	10	D	180TC	26A10LR18
TM	826	10	L	180TC	26A10L18
TM	826	10	R	180TC	26A10R18

* See note below

Grove nomenclature					Tigear equivalent
BM	826	10	D	56C	26A10LR56
BM	826	10	L	56C	26A10L56
BM	826	10	R	56C	26A10R56
BM	826	15	D	56C	26A15LR56
BM	826	15	L	56C	26A15L56
BM	826	15	R	56C	26A15R56
BM	826	20	D	56C	26A20LR56
BM	826	20	L	56C	26A20L56
BM	826	20	R	56C	26A20R56
BM	826	25	D	56C	26A25LR56
BM	826	25	L	56C	26A25L56
BM	826	25	R	56C	26A25R56
BM	826	30	D	56C	26A30LR56
BM	826	30	L	56C	26A30L56
BM	826	30	R	56C	26A30R56
BM	826	40	D	56C	26A40LR56
BM	826	40	L	56C	26A40L56
BM	826	40	R	56C	26A40R56
BM	826	50	D	56C	26A50LR56
BM	826	50	L	56C	26A50L56
BM	826	50	R	56C	26A50R56
BM	826	60	D	56C	26A60LR56
BM	826	60	L	56C	26A60L56
BM	826	60	R	56C	26A60R56
BM	826	5	D	140TC	26A05LR14
BM	826	5	L	140TC	26A05L14
BM	826	5	R	140TC	26A05R14
BM	826	7.5	D	140TC	26A07LR14
BM	826	7.5	L	140TC	26A07L14
BM	826	7.5	R	140TC	26A07R14
BM	826	10	D	140TC	26A10LR14
BM	826	10	L	140TC	26A10L14
BM	826	10	R	140TC	26A10R14
BM	826	15	D	140TC	26A15LR14
BM	826	15	L	140TC	26A15L14
BM	826	15	R	140TC	26A15R14
BM	826	20	D	140TC	26A20LR14
BM	826	20	L	140TC	26A20L14
BM	826	20	R	140TC	26A20R14
BM	826	25	D	140TC	26A25LR14
BM	826	25	L	140TC	26A25L14
BM	826	25	R	140TC	26A25R14
BM	826	30	D	140TC	26A30LR14
BM	826	30	L	140TC	26A30L14
BM	826	30	R	140TC	26A30R14
BM	826	40	D	140TC	26A40LR14
BM	826	40	L	140TC	26A40L14
BM	826	40	R	140TC	26A40R14
BM	826	5	D	180TC	26A05LR18
BM	826	5	L	180TC	26A05L18
BM	826	5	R	180TC	26A05R18
BM	826	7.5	D	180TC	26A07LR18
BM	826	7.5	L	180TC	26A07L18
BM	826	7.5	R	180TC	26A07R18
BM	826	10	D	180TC	26A10LR18
BM	826	10	L	180TC	26A10L18
BM	826	10	R	180TC	26A10R18

* On size 826, Grove output shaft dimension of 1.25 inches is different from industry standard of 1.125 inches.

Competitor interchange

Grove quill input

3.00" Center distance

Quill input

Add 30BASE for Tigear®-2

Grove nomenclature					Tigear equivalent
TMQ	830	20	D	56C	30Q20LR56
TMQ	830	20	L	56C	30Q20L56
TMQ	830	20	R	56C	30Q20R56
TMQ	830	25	D	56C	30Q25LR56
TMQ	830	25	L	56C	30Q25L56
TMQ	830	25	R	56C	30Q25R56
TMQ	830	30	D	56C	30Q30LR56
TMQ	830	30	L	56C	30Q30L56
TMQ	830	30	R	56C	30Q30R56
TMQ	830	40	D	56C	30Q40LR56
TMQ	830	40	L	56C	30Q40L56
TMQ	830	40	R	56C	30Q40R56
TMQ	830	50	D	56C	30Q50LR56
TMQ	830	50	L	56C	30Q50L56
TMQ	830	50	R	56C	30Q50R56
TMQ	830	60	D	56C	30Q60LR56
TMQ	830	60	L	56C	30Q60L56
TMQ	830	60	R	56C	30Q60R56
TMQ	830	5	D	140TC	30Q05LR14
TMQ	830	5	L	140TC	30Q05L14
TMQ	830	5	R	140TC	30Q05R14
TMQ	830	10	D	140TC	30Q10LR14
TMQ	830	10	L	140TC	30Q10L14
TMQ	830	10	R	140TC	30Q10R14
TMQ	830	15	D	140TC	30Q15LR14
TMQ	830	15	L	140TC	30Q15L14
TMQ	830	15	R	140TC	30Q15R14
TMQ	830	20	D	140TC	30Q20LR14
TMQ	830	20	L	140TC	30Q20L14
TMQ	830	20	R	140TC	30Q20R14
TMQ	830	25	D	140TC	30Q25LR14
TMQ	830	25	L	140TC	30Q25L14
TMQ	830	25	R	140TC	30Q25R14
TMQ	830	30	D	140TC	30Q30LR14
TMQ	830	30	L	140TC	30Q30L14
TMQ	830	30	R	140TC	30Q30R14
TMQ	830	40	D	140TC	30Q40LR14
TMQ	830	40	L	140TC	30Q40L14
TMQ	830	40	R	140TC	30Q40R14
TMQ	830	50	D	140TC	30Q50LR14
TMQ	830	50	L	140TC	30Q50L14
TMQ	830	50	R	140TC	30Q50R14
TMQ	830	60	D	140TC	30Q60LR14
TMQ	830	60	L	140TC	30Q60L14
TMQ	830	60	R	140TC	30Q60R14
TMQ	830	5	D	180TC	30Q05LR18
TMQ	830	5	L	180TC	30Q05L18
TMQ	830	5	R	180TC	30Q05R18
TMQ	830	10	D	180TC	30Q10LR18
TMQ	830	10	L	180TC	30Q10L18
TMQ	830	10	R	180TC	30Q10R18
TMQ	830	15	D	180TC	30Q15LR18
TMQ	830	15	L	180TC	30Q15L18
TMQ	830	15	R	180TC	30Q15R18
TMQ	830	20	D	180TC	30Q20LR18
TMQ	830	20	L	180TC	30Q20L18
TMQ	830	20	R	180TC	30Q20R18
TMQ	830	25	D	180TC	30Q25LR18
TMQ	830	25	L	180TC	30Q25L18
TMQ	830	25	R	180TC	30Q25R18

Grove nomenclature					Tigear equivalent
BMQ	830	20	D	56C	30Q20LR56
BMQ	830	20	L	56C	30Q20L56
BMQ	830	20	R	56C	30Q20R56
BMQ	830	25	D	56C	30Q25LR56
BMQ	830	25	L	56C	30Q25L56
BMQ	830	25	R	56C	30Q25R56
BMQ	830	30	D	56C	30Q30LR56
BMQ	830	30	L	56C	30Q30L56
BMQ	830	30	R	56C	30Q30R56
BMQ	830	40	D	56C	30Q40LR56
BMQ	830	40	L	56C	30Q40L56
BMQ	830	40	R	56C	30Q40R56
BMQ	830	50	D	56C	30Q50LR56
BMQ	830	50	L	56C	30Q50L56
BMQ	830	50	R	56C	30Q50R56
BMQ	830	60	D	56C	30Q60LR56
BMQ	830	60	L	56C	30Q60L56
BMQ	830	60	R	56C	30Q60R56
BMQ	830	5	D	140TC	30Q05LR14
BMQ	830	5	L	140TC	30Q05L14
BMQ	830	5	R	140TC	30Q05R14
BMQ	830	10	D	140TC	30Q10LR14
BMQ	830	10	L	140TC	30Q10L14
BMQ	830	10	R	140TC	30Q10R14
BMQ	830	15	D	140TC	30Q15LR14
BMQ	830	15	L	140TC	30Q15L14
BMQ	830	15	R	140TC	30Q15R14
BMQ	830	20	D	140TC	30Q20LR14
BMQ	830	20	L	140TC	30Q20L14
BMQ	830	20	R	140TC	30Q20R14
BMQ	830	25	D	140TC	30Q25LR14
BMQ	830	25	L	140TC	30Q25L14
BMQ	830	25	R	140TC	30Q25R14
BMQ	830	30	D	140TC	30Q30LR14
BMQ	830	30	L	140TC	30Q30L14
BMQ	830	30	R	140TC	30Q30R14
BMQ	830	40	D	140TC	30Q40LR14
BMQ	830	40	L	140TC	30Q40L14
BMQ	830	40	R	140TC	30Q40R14
BMQ	830	50	D	140TC	30Q50LR14
BMQ	830	50	L	140TC	30Q50L14
BMQ	830	50	R	140TC	30Q50R14
BMQ	830	60	D	140TC	30Q60LR14
BMQ	830	60	L	140TC	30Q60L14
BMQ	830	60	R	140TC	30Q60R14
BMQ	830	5	D	180TC	30Q05LR18
BMQ	830	5	L	180TC	30Q05L18
BMQ	830	5	R	180TC	30Q05R18
BMQ	830	10	D	180TC	30Q10LR18
BMQ	830	10	L	180TC	30Q10L18
BMQ	830	10	R	180TC	30Q10R18
BMQ	830	15	D	180TC	30Q15LR18
BMQ	830	15	L	180TC	30Q15L18
BMQ	830	15	R	180TC	30Q15R18
BMQ	830	20	D	180TC	30Q20LR18
BMQ	830	20	L	180TC	30Q20L18
BMQ	830	20	R	180TC	30Q20R18
BMQ	830	25	D	180TC	30Q25LR18
BMQ	830	25	L	180TC	30Q25L18
BMQ	830	25	R	180TC	30Q25R18

Metric Reducers – Ratings & Dimensions

Ratio multiplier

Accessories

Competitor interchange

Renewal parts

Part number index

Competitor interchange

Grove coupled input

3.00" Center distance

Coupled input

Add 30BASE for Tigear®-2

Grove nomenclature					Tigear equivalent
TM	830	20	D	56C	30A20LR56
TM	830	20	L	56C	30A20L56
TM	830	20	R	56C	30A20R56
TM	830	25	D	56C	30A25LR56
TM	830	25	L	56C	30A25L56
TM	830	25	R	56C	30A25R56
TM	830	30	D	56C	30A30LR56
TM	830	30	L	56C	30A30L56
TM	830	30	R	56C	30A30R56
TM	830	40	D	56C	30A40LR56
TM	830	40	L	56C	30A40L56
TM	830	40	R	56C	30A40R56
TM	830	50	D	56C	30A50LR56
TM	830	50	L	56C	30A50L56
TM	830	50	R	56C	30A50R56
TM	830	60	D	56C	30A60LR56
TM	830	60	L	56C	30A60L56
TM	830	60	R	56C	30A60R56
TM	830	5	D	140TC	30A05LR14
TM	830	5	L	140TC	30A05L14
TM	830	5	R	140TC	30A05R14
TM	830	10	D	140TC	30A10LR14
TM	830	10	L	140TC	30A10L14
TM	830	10	R	140TC	30A10R14
TM	830	15	D	140TC	30A15LR14
TM	830	15	L	140TC	30A15L14
TM	830	15	R	140TC	30A15R14
TM	830	20	D	140TC	30A20LR14
TM	830	20	L	140TC	30A20L14
TM	830	20	R	140TC	30A20R14
TM	830	25	D	140TC	30A25LR14
TM	830	25	L	140TC	30A25L14
TM	830	25	R	140TC	30A25R14
TM	830	30	D	140TC	30A30LR14
TM	830	30	L	140TC	30A30L14
TM	830	30	R	140TC	30A30R14
TM	830	40	D	140TC	30A40LR14
TM	830	40	L	140TC	30A40L14
TM	830	40	R	140TC	30A40R14
TM	830	50	D	140TC	30A50LR14
TM	830	50	L	140TC	30A50L14
TM	830	50	R	140TC	30A50R14
TM	830	60	D	140TC	30A60LR14
TM	830	60	L	140TC	30A60L14
TM	830	60	R	140TC	30A60R14
TM	830	5	D	180TC	30A05LR18
TM	830	5	L	180TC	30A05L18
TM	830	5	R	180TC	30A05R18
TM	830	10	D	180TC	30A10LR18
TM	830	10	L	180TC	30A10L18
TM	830	10	R	180TC	30A10R18
TM	830	15	D	180TC	30A15LR18
TM	830	15	L	180TC	30A15L18
TM	830	15	R	180TC	30A15R18
TM	830	20	D	180TC	30A20LR18
TM	830	20	L	180TC	30A20L18
TM	830	20	R	180TC	30A20R18
TM	830	25	D	180TC	30A25LR18
TM	830	25	L	180TC	30A25L18
TM	830	25	R	180TC	30A25R18

Grove nomenclature					Tigear equivalent
BM	830	20	D	56C	30A20LR56
BM	830	20	L	56C	30A20L56
BM	830	20	R	56C	30A20R56
BM	830	25	D	56C	30A25LR56
BM	830	25	L	56C	30A25L56
BM	830	25	R	56C	30A25R56
BM	830	30	D	56C	30A30LR56
BM	830	30	L	56C	30A30L56
BM	830	30	R	56C	30A30R56
BM	830	40	D	56C	30A40LR56
BM	830	40	L	56C	30A40L56
BM	830	40	R	56C	30A40R56
BM	830	50	D	56C	30A50LR56
BM	830	50	L	56C	30A50L56
BM	830	50	R	56C	30A50R56
BM	830	60	D	56C	30A60LR56
BM	830	60	L	56C	30A60L56
BM	830	60	R	56C	30A60R56
BM	830	5	D	140TC	30A05LR14
BM	830	5	L	140TC	30A05L14
BM	830	5	R	140TC	30A05R14
BM	830	10	D	140TC	30A10LR14
BM	830	10	L	140TC	30A10L14
BM	830	10	R	140TC	30A10R14
BM	830	15	D	140TC	30A15LR14
BM	830	15	L	140TC	30A15L14
BM	830	15	R	140TC	30A15R14
BM	830	20	D	140TC	30A20LR14
BM	830	20	L	140TC	30A20L14
BM	830	20	R	140TC	30A20R14
BM	830	25	D	140TC	30A25LR14
BM	830	25	L	140TC	30A25L14
BM	830	25	R	140TC	30A25R14
BM	830	30	D	140TC	30A30LR14
BM	830	30	L	140TC	30A30L14
BM	830	30	R	140TC	30A30R14
BM	830	40	D	140TC	30A40LR14
BM	830	40	L	140TC	30A40L14
BM	830	40	R	140TC	30A40R14
BM	830	50	D	140TC	30A50LR14
BM	830	50	L	140TC	30A50L14
BM	830	50	R	140TC	30A50R14
BM	830	60	D	140TC	30A60LR14
BM	830	60	L	140TC	30A60L14
BM	830	60	R	140TC	30A60R14
BM	830	5	D	180TC	30A05LR18
BM	830	5	L	180TC	30A05L18
BM	830	5	R	180TC	30A05R18
BM	830	10	D	180TC	30A10LR18
BM	830	10	L	180TC	30A10L18
BM	830	10	R	180TC	30A10R18
BM	830	15	D	180TC	30A15LR18
BM	830	15	L	180TC	30A15L18
BM	830	15	R	180TC	30A15R18
BM	830	20	D	180TC	30A20LR18
BM	830	20	L	180TC	30A20L18
BM	830	20	R	180TC	30A20R18
BM	830	25	D	180TC	30A25LR18
BM	830	25	L	180TC	30A25L18
BM	830	25	R	180TC	30A25R18

Metric Reducers – Ratings & Dimensions
Ratio multiplier
Accessories
Competitor Interchange
Renewal parts
Part number index

Competitor interchange

Grove quill input

3.25" Center distance

Quill input

Add 32BASE for Tigear®-2

Grove nomenclature					Tigear equivalent
TMQ	832	30	D	56C	32Q30LR56
TMQ	832	30	L	56C	32Q30L56
TMQ	832	30	R	56C	32Q30R56
TMQ	832	40	D	56C	32Q40LR56
TMQ	832	40	L	56C	32Q40L56
TMQ	832	40	R	56C	32Q40R56
TMQ	832	50	D	56C	32Q50LR56
TMQ	832	50	L	56C	32Q50L56
TMQ	832	50	R	56C	32Q50R56
TMQ	832	60	D	56C	32Q60LR56
TMQ	832	60	L	56C	32Q60L56
TMQ	832	60	R	56C	32Q60R56
TMQ	832	5	D	140TC	32Q05LR14
TMQ	832	5	L	140TC	32Q05L14
TMQ	832	5	R	140TC	32Q05R14
TMQ	832	10	D	140TC	32Q10LR14
TMQ	832	10	L	140TC	32Q10L14
TMQ	832	10	R	140TC	32Q10R14
TMQ	832	15	D	140TC	32Q15LR14
TMQ	832	15	L	140TC	32Q15L14
TMQ	832	15	R	140TC	32Q15R14
TMQ	832	20	D	140TC	32Q20LR14
TMQ	832	20	L	140TC	32Q20L14
TMQ	832	20	R	140TC	32Q20R14
TMQ	832	25	D	140TC	32Q25LR14
TMQ	832	25	L	140TC	32Q25L14
TMQ	832	25	R	140TC	32Q25R14
TMQ	832	30	D	140TC	32Q30LR14
TMQ	832	30	L	140TC	32Q30L14
TMQ	832	30	R	140TC	32Q30R14
TMQ	832	40	D	140TC	32Q40LR14
TMQ	832	40	L	140TC	32Q40L14
TMQ	832	40	R	140TC	32Q40R14
TMQ	832	50	D	140TC	32Q50LR14
TMQ	832	50	L	140TC	32Q50L14
TMQ	832	50	R	140TC	32Q50R14
TMQ	832	60	D	140TC	32Q60LR14
TMQ	832	60	L	140TC	32Q60L14
TMQ	832	60	R	140TC	32Q60R14
TMQ	832	5	D	180TC	32Q05LR18
TMQ	832	5	L	180TC	32Q05L18
TMQ	832	5	R	180TC	32Q05R18
TMQ	832	10	D	180TC	32Q10LR18
TMQ	832	10	L	180TC	32Q10L18
TMQ	832	10	R	180TC	32Q10R18
TMQ	832	15	D	180TC	32Q15LR18
TMQ	832	15	L	180TC	32Q15L18
TMQ	832	15	R	180TC	32Q15R18
TMQ	832	20	D	180TC	32Q20LR18
TMQ	832	20	L	180TC	32Q20L18
TMQ	832	20	R	180TC	32Q20R18
TMQ	832	25	D	180TC	32Q25LR18
TMQ	832	25	L	180TC	32Q25L18
TMQ	832	25	R	180TC	32Q25R18
TMQ	832	30	D	180TC	32Q30LR18
TMQ	832	30	L	180TC	32Q30L18
TMQ	832	30	R	180TC	32Q30R18

Grove nomenclature					Tigear equivalent
BMQ	832	30	D	56C	32Q30LR56
BMQ	832	30	L	56C	32Q30L56
BMQ	832	30	R	56C	32Q30R56
BMQ	832	40	D	56C	32Q40LR56
BMQ	832	40	L	56C	32Q40L56
BMQ	832	40	R	56C	32Q40R56
BMQ	832	50	D	56C	32Q50LR56
BMQ	832	50	L	56C	32Q50L56
BMQ	832	50	R	56C	32Q50R56
BMQ	832	60	D	56C	32Q60LR56
BMQ	832	60	L	56C	32Q60L56
BMQ	832	60	R	56C	32Q60R56
BMQ	832	5	D	140TC	32Q05LR14
BMQ	832	5	L	140TC	32Q05L14
BMQ	832	5	R	140TC	32Q05R14
BMQ	832	10	D	140TC	32Q10LR14
BMQ	832	10	L	140TC	32Q10L14
BMQ	832	10	R	140TC	32Q10R14
BMQ	832	15	D	140TC	32Q15LR14
BMQ	832	15	L	140TC	32Q15L14
BMQ	832	15	R	140TC	32Q15R14
BMQ	832	20	D	140TC	32Q20LR14
BMQ	832	20	L	140TC	32Q20L14
BMQ	832	20	R	140TC	32Q20R14
BMQ	832	25	D	140TC	32Q25LR14
BMQ	832	25	L	140TC	32Q25L14
BMQ	832	25	R	140TC	32Q25R14
BMQ	832	30	D	140TC	32Q30LR14
BMQ	832	30	L	140TC	32Q30L14
BMQ	832	30	R	140TC	32Q30R14
BMQ	832	40	D	140TC	32Q40LR14
BMQ	832	40	L	140TC	32Q40L14
BMQ	832	40	R	140TC	32Q40R14
BMQ	832	50	D	140TC	32Q50LR14
BMQ	832	50	L	140TC	32Q50L14
BMQ	832	50	R	140TC	32Q50R14
BMQ	832	60	D	140TC	32Q60LR14
BMQ	832	60	L	140TC	32Q60L14
BMQ	832	60	R	140TC	32Q60R14
BMQ	832	5	D	180TC	32Q05LR18
BMQ	832	5	L	180TC	32Q05L18
BMQ	832	5	R	180TC	32Q05R18
BMQ	832	10	D	180TC	32Q10LR18
BMQ	832	10	L	180TC	32Q10L18
BMQ	832	10	R	180TC	32Q10R18
BMQ	832	15	D	180TC	32Q15LR18
BMQ	832	15	L	180TC	32Q15L18
BMQ	832	15	R	180TC	32Q15R18
BMQ	832	20	D	180TC	32Q20LR18
BMQ	832	20	L	180TC	32Q20L18
BMQ	832	20	R	180TC	32Q20R18
BMQ	832	25	D	180TC	32Q25LR18
BMQ	832	25	L	180TC	32Q25L18
BMQ	832	25	R	180TC	32Q25R18
BMQ	832	30	D	180TC	32Q30LR18
BMQ	832	30	L	180TC	32Q30L18
BMQ	832	30	R	180TC	32Q30R18

Metric Reducers – Ratings & Dimensions

Ratio multiplier

Accessories

Competitor interchange

Renewal parts

Part number index

Competitor interchange

Grove coupled input

3.25" Center distance

Coupled input

Add 32BASE for Tigear®-2

Grove nomenclature					Tigear equivalent
TM	832	30	D	56C	32A30LR56
TM	832	30	L	56C	32A30L56
TM	832	30	R	56C	32A30R56
TM	832	40	D	56C	32A40LR56
TM	832	40	L	56C	32A40L56
TM	832	40	R	56C	32A40R56
TM	832	50	D	56C	32A50LR56
TM	832	50	L	56C	32A50L56
TM	832	50	R	56C	32A50R56
TM	832	60	D	56C	32A60LR56
TM	832	60	L	56C	32A60L56
TM	832	60	R	56C	32A60R56
TM	832	5	D	140TC	32A05LR14
TM	832	5	L	140TC	32A05L14
TM	832	5	R	140TC	32A05R14
TM	832	10	D	140TC	32A10LR14
TM	832	10	L	140TC	32A10L14
TM	832	10	R	140TC	32A10R14
TM	832	15	D	140TC	32A15LR14
TM	832	15	L	140TC	32A15L14
TM	832	15	R	140TC	32A15R14
TM	832	20	D	140TC	32A20LR14
TM	832	20	L	140TC	32A20L14
TM	832	20	R	140TC	32A20R14
TM	832	25	D	140TC	32A25LR14
TM	832	25	L	140TC	32A25L14
TM	832	25	R	140TC	32A25R14
TM	832	30	D	140TC	32A30LR14
TM	832	30	L	140TC	32A30L14
TM	832	30	R	140TC	32A30R14
TM	832	40	D	140TC	32A40LR14
TM	832	40	L	140TC	32A40L14
TM	832	40	R	140TC	32A40R14
TM	832	50	D	140TC	32A50LR14
TM	832	50	L	140TC	32A50L14
TM	832	50	R	140TC	32A50R14
TM	832	60	D	140TC	32A60LR14
TM	832	60	L	140TC	32A60L14
TM	832	60	R	140TC	32A60R14
TM	832	5	D	180TC	32A05LR18
TM	832	5	L	180TC	32A05L18
TM	832	5	R	180TC	32A05R18
TM	832	10	D	180TC	32A10LR18
TM	832	10	L	180TC	32A10L18
TM	832	10	R	180TC	32A10R18
TM	832	15	D	180TC	32A15LR18
TM	832	15	L	180TC	32A15L18
TM	832	15	R	180TC	32A15R18
TM	832	20	D	180TC	32A20LR18
TM	832	20	L	180TC	32A20L18
TM	832	20	R	180TC	32A20R18
TM	832	25	D	180TC	32A25LR18
TM	832	25	L	180TC	32A25L18
TM	832	25	R	180TC	32A25R18
TM	832	30	D	180TC	32A30LR18
TM	832	30	L	180TC	32A30L18
TM	832	30	R	180TC	32A30R18

Grove nomenclature					Tigear equivalent
BM	832	30	D	56C	32A30LR56
BM	832	30	L	56C	32A30L56
BM	832	30	R	56C	32A30R56
BM	832	40	D	56C	32A40LR56
BM	832	40	L	56C	32A40L56
BM	832	40	R	56C	32A40R56
BM	832	50	D	56C	32A50LR56
BM	832	50	L	56C	32A50L56
BM	832	50	R	56C	32A50R56
BM	832	60	D	56C	32A60LR56
BM	832	60	L	56C	32A60L56
BM	832	60	R	56C	32A60R56
BM	832	5	D	140TC	32A05LR14
BM	832	5	L	140TC	32A05L14
BM	832	5	R	140TC	32A05R14
BM	832	10	D	140TC	32A10LR14
BM	832	10	L	140TC	32A10L14
BM	832	10	R	140TC	32A10R14
BM	832	15	D	140TC	32A15LR14
BM	832	15	L	140TC	32A15L14
BM	832	15	R	140TC	32A15R14
BM	832	20	D	140TC	32A20LR14
BM	832	20	L	140TC	32A20L14
BM	832	20	R	140TC	32A20R14
BM	832	25	D	140TC	32A25LR14
BM	832	25	L	140TC	32A25L14
BM	832	25	R	140TC	32A25R14
BM	832	30	D	140TC	32A30LR14
BM	832	30	L	140TC	32A30L14
BM	832	30	R	140TC	32A30R14
BM	832	40	D	140TC	32A40LR14
BM	832	40	L	140TC	32A40L14
BM	832	40	R	140TC	32A40R14
BM	832	50	D	140TC	32A50LR14
BM	832	50	L	140TC	32A50L14
BM	832	50	R	140TC	32A50R14
BM	832	60	D	140TC	32A60LR14
BM	832	60	L	140TC	32A60L14
BM	832	60	R	140TC	32A60R14
BM	832	5	D	180TC	32A05LR18
BM	832	5	L	180TC	32A05L18
BM	832	5	R	180TC	32A05R18
BM	832	10	D	180TC	32A10LR18
BM	832	10	L	180TC	32A10L18
BM	832	10	R	180TC	32A10R18
BM	832	15	D	180TC	32A15LR18
BM	832	15	L	180TC	32A15L18
BM	832	15	R	180TC	32A15R18
BM	832	20	D	180TC	32A20LR18
BM	832	20	L	180TC	32A20L18
BM	832	20	R	180TC	32A20R18
BM	832	25	D	180TC	32A25LR18
BM	832	25	L	180TC	32A25L18
BM	832	25	R	180TC	32A25R18
BM	832	30	D	180TC	32A30LR18
BM	832	30	L	180TC	32A30L18
BM	832	30	R	180TC	32A30R18

Competitor interchange

Grove quill input

4.25" Center distance

Quill input

Add 40BASE for Tigear®-2

Grove nomenclature					Tigear equivalent
TMQ	842	40	D	140TC	40Q40LR14
TMQ	842	40	L	140TC	40Q40L14
TMQ	842	40	R	140TC	40Q40R14
TMQ	842	50	D	140TC	40Q50LR14
TMQ	842	50	L	140TC	40Q50L14
TMQ	842	50	R	140TC	40Q50R14
TMQ	842	60	D	140TC	40Q60LR14
TMQ	842	60	L	140TC	40Q60L14
TMQ	842	60	R	140TC	40Q60R14
TMQ	842	15	D	180TC	40Q15LR18
TMQ	842	15	L	180TC	40Q15L18
TMQ	842	15	R	180TC	40Q15R18
TMQ	842	20	D	180TC	40Q20LR18
TMQ	842	20	L	180TC	40Q20L18
TMQ	842	20	R	180TC	40Q20R18
TMQ	842	25	D	180TC	40Q25LR18
TMQ	842	25	L	180TC	40Q25L18
TMQ	842	25	R	180TC	40Q25R18
TMQ	842	30	D	180TC	40Q30LR18
TMQ	842	30	L	180TC	40Q30L18
TMQ	842	30	R	180TC	40Q30R18
TMQ	842	40	D	180TC	40Q40LR18
TMQ	842	40	L	180TC	40Q40L18
TMQ	842	40	R	180TC	40Q40R18
TMQ	842	50	D	180TC	40Q50LR18
TMQ	842	50	L	180TC	40Q50L18
TMQ	842	50	R	180TC	40Q50R18
TMQ	842	60	D	180TC	40Q60LR18
TMQ	842	60	L	180TC	40Q60L18
TMQ	842	60	R	180TC	40Q60R18
TMQ	842	5	D	210TC	40Q05LR21
TMQ	842	5	L	210TC	40Q05L21
TMQ	842	5	R	210TC	40Q05R21
TMQ	842	10	D	210TC	40Q10LR21
TMQ	842	10	L	210TC	40Q10L21
TMQ	842	10	R	210TC	40Q10R21
TMQ	842	15	D	210TC	40Q15LR21
TMQ	842	15	L	210TC	40Q15L21
TMQ	842	15	R	210TC	40Q15R21
TMQ	842	20	D	210TC	40Q20LR21
TMQ	842	20	L	210TC	40Q20L21
TMQ	842	20	R	210TC	40Q20R21
TMQ	842	5	D	250TC	40Q05LR25
TMQ	842	5	L	250TC	40Q05L25
TMQ	842	5	R	250TC	40Q05R25

Grove Nomenclature					Tigear equivalent
BMQ	842	40	D	140TC	40Q40LR14
BMQ	842	40	L	140TC	40Q40L14
BMQ	842	40	R	140TC	40Q40R14
BMQ	842	50	D	140TC	40Q50LR14
BMQ	842	50	L	140TC	40Q50L14
BMQ	842	50	R	140TC	40Q50R14
BMQ	842	60	D	140TC	40Q60LR14
BMQ	842	60	L	140TC	40Q60L14
BMQ	842	60	R	140TC	40Q60R14
BMQ	842	15	D	180TC	40Q15LR18
BMQ	842	15	L	180TC	40Q15L18
BMQ	842	15	R	180TC	40Q15R18
BMQ	842	20	D	180TC	40Q20LR18
BMQ	842	20	L	180TC	40Q20L18
BMQ	842	20	R	180TC	40Q20R18
BMQ	842	25	D	180TC	40Q25LR18
BMQ	842	25	L	180TC	40Q25L18
BMQ	842	25	R	180TC	40Q25R18
BMQ	842	30	D	180TC	40Q30LR18
BMQ	842	30	L	180TC	40Q30L18
BMQ	842	30	R	180TC	40Q30R18
BMQ	842	40	D	180TC	40Q40LR18
BMQ	842	40	L	180TC	40Q40L18
BMQ	842	40	R	180TC	40Q40R18
BMQ	842	50	D	180TC	40Q50LR18
BMQ	842	50	L	180TC	40Q50L18
BMQ	842	50	R	180TC	40Q50R18
BMQ	842	60	D	180TC	40Q60LR18
BMQ	842	60	L	180TC	40Q60L18
BMQ	842	60	R	180TC	40Q60R18
BMQ	842	5	D	210TC	40Q05LR21
BMQ	842	5	L	210TC	40Q05L21
BMQ	842	5	R	210TC	40Q05R21
BMQ	842	10	D	210TC	40Q10LR21
BMQ	842	10	L	210TC	40Q10L21
BMQ	842	10	R	210TC	40Q10R21
BMQ	842	15	D	210TC	40Q15LR21
BMQ	842	15	L	210TC	40Q15L21
BMQ	842	15	R	210TC	40Q15R21
BMQ	842	20	D	210TC	40Q20LR21
BMQ	842	20	L	210TC	40Q20L21
BMQ	842	20	R	210TC	40Q20R21
BMQ	842	25	D	250TC	40Q05LR25
BMQ	842	25	L	250TC	40Q05L25
BMQ	842	25	R	250TC	40Q05R25

Competitor interchange

Grove coupled input

4.25" Center distance

Coupled input

Add 40BASE for Tigear®-2

Grove nomenclature					Tigear equivalent
TM	842	40	D	140TC	40A40LR14
TM	842	40	L	140TC	40A40L14
TM	842	40	R	140TC	40A40R14
TM	842	50	D	140TC	40A50LR14
TM	842	50	L	140TC	40A50L14
TM	842	50	R	140TC	40A50R14
TM	842	60	D	140TC	40A60LR14
TM	842	60	L	140TC	40A60L14
TM	842	60	R	140TC	40A60R14
TM	842	15	D	180TC	40A15LR18
TM	842	15	L	180TC	40A15L18
TM	842	15	R	180TC	40A15R18
TM	842	20	D	180TC	40A20LR18
TM	842	20	L	180TC	40A20L18
TM	842	20	R	180TC	40A20R18
TM	842	25	D	180TC	40A25LR18
TM	842	25	L	180TC	40A25L18
TM	842	25	R	180TC	40A25R18
TM	842	30	D	180TC	40A30LR18
TM	842	30	L	180TC	40A30L18
TM	842	30	R	180TC	40A30R18
TM	842	40	D	180TC	40A40LR18
TM	842	40	L	180TC	40A40L18
TM	842	40	R	180TC	40A40R18
TM	842	50	D	180TC	40A50LR18
TM	842	50	L	180TC	40A50L18
TM	842	50	R	180TC	40A50R18
TM	842	60	D	180TC	40A60LR18
TM	842	60	L	180TC	40A60L18
TM	842	60	R	180TC	40A60R18
TM	842	5	D	210TC	40A05LR21
TM	842	5	L	210TC	40A05L21
TM	842	5	R	210TC	40A05R21
TM	842	10	D	210TC	40A10LR21
TM	842	10	L	210TC	40A10L21
TM	842	10	R	210TC	40A10R21
TM	842	15	D	210TC	40A15LR21
TM	842	15	L	210TC	40A15L21
TM	842	15	R	210TC	40A15R21
TM	842	20	D	210TC	40A20LR21
TM	842	20	L	210TC	40A20L21
TM	842	20	R	210TC	40A20R21
TM	842	5	D	250TC	40A05LR25
TM	842	5	L	250TC	40A05L25
TM	842	5	R	250TC	40A05R25

Grove nomenclature					Tigear equivalent
BM	842	40	D	140TC	40A40LR14
BM	842	40	L	140TC	40A40L14
BM	842	40	R	140TC	40A40R14
BM	842	50	D	140TC	40A50LR14
BM	842	50	L	140TC	40A50L14
BM	842	50	R	140TC	40A50R14
BM	842	60	D	140TC	40A60LR14
BM	842	60	L	140TC	40A60L14
BM	842	60	R	140TC	40A60R14
BM	842	15	D	180TC	40A15LR18
BM	842	15	L	180TC	40A15L18
BM	842	15	R	180TC	40A15R18
BM	842	20	D	180TC	40A20LR18
BM	842	20	L	180TC	40A20L18
BM	842	20	R	180TC	40A20R18
BM	842	25	D	180TC	40A25LR18
BM	842	25	L	180TC	40A25L18
BM	842	25	R	180TC	40A25R18
BM	842	30	D	180TC	40A30LR18
BM	842	30	L	180TC	40A30L18
BM	842	30	R	180TC	40A30R18
BM	842	40	D	180TC	40A40LR18
BM	842	40	L	180TC	40A40L18
BM	842	40	R	180TC	40A40R18
BM	842	50	D	180TC	40A50LR18
BM	842	50	L	180TC	40A50L18
BM	842	50	R	180TC	40A50R18
BM	842	60	D	180TC	40A60LR18
BM	842	60	L	180TC	40A60L18
BM	842	60	R	180TC	40A60R18
BM	842	5	D	210TC	40A05LR21
BM	842	5	L	210TC	40A05L21
BM	842	5	R	210TC	40A05R21
BM	842	10	D	210TC	40A10LR21
BM	842	10	L	210TC	40A10L21
BM	842	10	R	210TC	40A10R21
BM	842	15	D	210TC	40A15LR21
BM	842	15	L	210TC	40A15L21
BM	842	15	R	210TC	40A15R21
BM	842	20	D	210TC	40A20LR21
BM	842	20	L	210TC	40A20L21
BM	842	20	R	210TC	40A20R21
BM	842	5	D	250TC	40A05LR25
BM	842	5	L	250TC	40A05L25
BM	842	5	R	250TC	40A05R25

Competitor interchange

Morse quill input

1.33" Center distance

Quill input (with base)

Add 13BASE for Tigear®-2

Morse nomenclature					Tigear equivalent
133	QT	56	L	5	13Q05L56
133	QT	56	R	5	13Q05R56
133	QT	56	LR	5	13Q05LR56
133	QT	56	L	10	13Q10L56
133	QT	56	R	10	13Q10R56
133	QT	56	LR	10	13Q10LR56
133	QT	56	L	15	13Q15L56
133	QT	56	R	15	13Q15R56
133	QT	56	LR	15	13Q15LR56
133	QT	56	L	20	13Q20L56
133	QT	56	R	20	13Q20R56
133	QT	56	LR	20	13Q20LR56
133	QT	56	L	25	13Q25L56
133	QT	56	R	25	13Q25R56
133	QT	56	LR	25	13Q25LR56
133	QT	56	L	30	13Q30L56
133	QT	56	R	30	13Q30R56
133	QT	56	LR	30	13Q30LR56
133	QT	56	L	40	13Q40L56
133	QT	56	R	40	13Q40R56
133	QT	56	LR	40	13Q40LR56
133	QT	56	L	50	13Q50L56
133	QT	56	R	50	13Q50R56
133	QT	56	LR	50	13Q50LR56
133	QT	56	L	60	13Q60L56
133	QT	56	R	60	13Q60R56
133	QT	56	LR	60	13Q60LR56

Quill input (without base)

Morse nomenclature					Tigear equivalent
133	Q	56	L	5	13Q05L56
133	Q	56	R	5	13Q05R56
133	Q	56	LR	5	13Q05LR56
133	Q	56	L	10	13Q10L56
133	Q	56	R	10	13Q10R56
133	Q	56	LR	10	13Q10LR56
133	Q	56	L	15	13Q15L56
133	Q	56	R	15	13Q15R56
133	Q	56	LR	15	13Q15LR56
133	Q	56	L	20	13Q20L56
133	Q	56	R	20	13Q20R56
133	Q	56	LR	20	13Q20LR56
133	Q	56	L	25	13Q25L56
133	Q	56	R	25	13Q25R56
133	Q	56	LR	25	13Q25LR56
133	Q	56	L	30	13Q30L56
133	Q	56	R	30	13Q30R56
133	Q	56	LR	30	13Q30LR56
133	Q	56	L	40	13Q40L56
133	Q	56	R	40	13Q40R56
133	Q	56	LR	40	13Q40LR56
133	Q	56	L	50	13Q50L56
133	Q	56	R	50	13Q50R56
133	Q	56	LR	50	13Q50LR56
133	Q	56	L	60	13Q60L56
133	Q	56	R	60	13Q60R56
133	Q	56	LR	60	13Q60LR56

Competitor interchange

Morse coupled input

1.33" Center distance

Coupled input (with base)

Add 13BASE for Tigear®-2

Morse nomenclature					Tigear equivalent
133	CT	56	L	5	13A05L56
133	CT	56	R	5	13A05R56
133	CT	56	LR	5	13A05LR56
133	CT	56	L	10	13A10L56
133	CT	56	R	10	13A10R56
133	CT	56	LR	10	13A10LR56
133	CT	56	L	15	13A15L56
133	CT	56	R	15	13A15R56
133	CT	56	LR	15	13A15LR56
133	CT	56	L	20	13A20L56
133	CT	56	R	20	13A20R56
133	CT	56	LR	20	13A20LR56
133	CT	56	L	25	13A25L56
133	CT	56	R	25	13A25R56
133	CT	56	LR	25	13A25LR56
133	CT	56	L	30	13A30L56
133	CT	56	R	30	13A30R56
133	CT	56	LR	30	13A30LR56
133	CT	56	L	40	13A40L56
133	CT	56	R	40	13A40R56
133	CT	56	LR	40	13A40LR56
133	CT	56	L	50	13A50L56
133	CT	56	R	50	13A50R56
133	CT	56	LR	50	13A50LR56
133	CT	56	L	60	13A60L56
133	CT	56	R	60	13A60R56
133	CT	56	LR	60	13A60LR56

Coupled input (without base)

Morse nomenclature					Tigear equivalent
133	C	56	L	5	13A05L56
133	C	56	R	5	13A05R56
133	C	56	LR	5	13A05LR56
133	C	56	L	10	13A10L56
133	C	56	R	10	13A10R56
133	C	56	LR	10	13A10LR56
133	C	56	L	15	13A15L56
133	C	56	R	15	13A15R56
133	C	56	LR	15	13A15LR56
133	C	56	L	20	13A20L56
133	C	56	R	20	13A20R56
133	C	56	LR	20	13A20LR56
133	C	56	L	25	13A25L56
133	C	56	R	25	13A25R56
133	C	56	LR	25	13A25LR56
133	C	56	L	30	13A30L56
133	C	56	R	30	13A30R56
133	C	56	LR	30	13A30LR56
133	C	56	L	40	13A40L56
133	C	56	R	40	13A40R56
133	C	56	LR	40	13A40LR56
133	C	56	L	50	13A50L56
133	C	56	R	50	13A50R56
133	C	56	LR	50	13A50LR56
133	C	56	L	60	13A60L56
133	C	56	R	60	13A60R56
133	C	56	LR	60	13A60LR56

Competitor interchange

Morse quill input

1.54" Center distance

Quill input (with base)

Add 15BASE for Tigear®-2

Morse nomenclature					Tigear equivalent
154	QT	56	L	5	15Q05L56
154	QT	56	R	5	15Q05R56
154	QT	56	LR	5	15Q05LR56
154	QT	56	L	10	15Q10L56
154	QT	56	R	10	15Q10R56
154	QT	56	LR	10	15Q10LR56
154	QT	56	L	15	15Q15L56
154	QT	56	R	15	15Q15R56
154	QT	56	LR	15	15Q15LR56
154	QT	56	L	20	15Q20L56
154	QT	56	R	20	15Q20R56
154	QT	56	LR	20	15Q20LR56
154	QT	56	L	25	15Q25L56
154	QT	56	R	25	15Q25R56
154	QT	56	LR	25	15Q25LR56
154	QT	56	L	30	15Q30L56
154	QT	56	R	30	15Q30R56
154	QT	56	LR	30	15Q30LR56
154	QT	56	L	40	15Q40L56
154	QT	56	R	40	15Q40R56
154	QT	56	LR	40	15Q40LR56
154	QT	56	L	50	15Q50L56
154	QT	56	R	50	15Q50R56
154	QT	56	LR	50	15Q50LR56
154	QT	56	L	60	15Q60L56
154	QT	56	R	60	15Q60R56
154	QT	56	LR	60	15Q60LR56

Quill input (without base)

Morse nomenclature					Tigear equivalent
154	Q	56	L	5	15Q05L56
154	Q	56	R	5	15Q05R56
154	Q	56	LR	5	15Q05LR56
154	Q	56	L	10	15Q10L56
154	Q	56	R	10	15Q10R56
154	Q	56	LR	10	15Q10LR56
154	Q	56	L	15	15Q15L56
154	Q	56	R	15	15Q15R56
154	Q	56	LR	15	15Q15LR56
154	Q	56	L	20	15Q20L56
154	Q	56	R	20	15Q20R56
154	Q	56	LR	20	15Q20LR56
154	Q	56	L	25	15Q25L56
154	Q	56	R	25	15Q25R56
154	Q	56	LR	25	15Q25LR56
154	Q	56	L	30	15Q30L56
154	Q	56	R	30	15Q30R56
154	Q	56	LR	30	15Q30LR56
154	Q	56	L	40	15Q40L56
154	Q	56	R	40	15Q40R56
154	Q	56	LR	40	15Q40LR56
154	Q	56	L	50	15Q50L56
154	Q	56	R	50	15Q50R56
154	Q	56	LR	50	15Q50LR56
154	Q	56	L	60	15Q60L56
154	Q	56	R	60	15Q60R56
154	Q	56	LR	60	15Q60LR56

Competitor interchange

Morse coupled input

1.54" Center distance

Coupled input (with base)

Add 15BASE for Tigear®-2

Morse nomenclature					Tigear equivalent
154	CT	56	L	5	15A05L56
154	CT	56	R	5	15A05R56
154	CT	56	LR	5	15A05LR56
154	CT	56	L	10	15A10L56
154	CT	56	R	10	15A10R56
154	CT	56	LR	10	15A10LR56
154	CT	56	L	15	15A15L56
154	CT	56	R	15	15A15R56
154	CT	56	LR	15	15A15LR56
154	CT	56	L	20	15A20L56
154	CT	56	R	20	15A20R56
154	CT	56	LR	20	15A20LR56
154	CT	56	L	25	15A25L56
154	CT	56	R	25	15A25R56
154	CT	56	LR	25	15A25LR56
154	CT	56	L	30	15A30L56
154	CT	56	R	30	15A30R56
154	CT	56	LR	30	15A30LR56
154	CT	56	L	40	15A40L56
154	CT	56	R	40	15A40R56
154	CT	56	LR	40	15A40LR56
154	CT	56	L	50	15A50L56
154	CT	56	R	50	15A50R56
154	CT	56	LR	50	15A50LR56
154	CT	56	L	60	15A60L56
154	CT	56	R	60	15A60R56
154	CT	56	LR	60	15A60LR56

Coupled input (without base)

Morse nomenclature					Tigear equivalent
154	C	56	L	5	15A05L56
154	C	56	R	5	15A05R56
154	C	56	LR	5	15A05LR56
154	C	56	L	10	15A10L56
154	C	56	R	10	15A10R56
154	C	56	LR	10	15A10LR56
154	C	56	L	15	15A15L56
154	C	56	R	15	15A15R56
154	C	56	LR	15	15A15LR56
154	C	56	L	20	15A20L56
154	C	56	R	20	15A20R56
154	C	56	LR	20	15A20LR56
154	C	56	L	25	15A25L56
154	C	56	R	25	15A25R56
154	C	56	LR	25	15A25LR56
154	C	56	L	30	15A30L56
154	C	56	R	30	15A30R56
154	C	56	LR	30	15A30LR56
154	C	56	L	40	15A40L56
154	C	56	R	40	15A40R56
154	C	56	LR	40	15A40LR56
154	C	56	L	50	15A50L56
154	C	56	R	50	15A50R56
154	C	56	LR	50	15A50LR56
154	C	56	L	60	15A60L56
154	C	56	R	60	15A60R56
154	C	56	LR	60	15A60LR56

Competitor interchange

Morse quill input

1.75" Center distance

Quill input (with base)

Add 17BASE for Tigear®-2

Morse nomenclature					Tigear equivalent
175	QT	56	L	5	17Q05L56
175	QT	56	R	5	17Q05R56
175	QT	56	LR	5	17Q05LR56
175	QT	56	L	10	17Q10L56
175	QT	56	R	10	17Q10R56
175	QT	56	LR	10	17Q10LR56
175	QT	56	L	15	17Q15L56
175	QT	56	R	15	17Q15R56
175	QT	56	LR	15	17Q15LR56
175	QT	56	L	20	17Q20L56
175	QT	56	R	20	17Q20R56
175	QT	56	LR	20	17Q20LR56
175	QT	56	L	25	17Q25L56
175	QT	56	R	25	17Q25R56
175	QT	56	LR	25	17Q25LR56
175	QT	56	L	30	17Q30L56
175	QT	56	R	30	17Q30R56
175	QT	56	LR	30	17Q30LR56
175	QT	56	L	40	17Q40L56
175	QT	56	R	40	17Q40R56
175	QT	56	LR	40	17Q40LR56
175	QT	56	L	50	17Q50L56
175	QT	56	R	50	17Q50R56
175	QT	56	LR	50	17Q50LR56
175	QT	56	L	60	17Q60L56
175	QT	56	R	60	17Q60R56
175	QT	56	LR	60	17Q60LR56
175	QT	140	L	5	17Q05L14
175	QT	140	R	5	17Q05R14
175	QT	140	LR	5	17Q05LR14
175	QT	140	L	10	17Q10L14
175	QT	140	R	10	17Q10R14
175	QT	140	LR	10	17Q10LR14
175	QT	140	L	15	17Q15L14
175	QT	140	R	15	17Q15R14
175	QT	140	LR	15	17Q15LR14

Quill input (without base)

Morse nomenclature					Tigear equivalent
175	Q	56	L	5	17Q05L56
175	Q	56	R	5	17Q05R56
175	Q	56	LR	5	17Q05LR56
175	Q	56	L	10	17Q10L56
175	Q	56	R	10	17Q10R56
175	Q	56	LR	10	17Q10LR56
175	Q	56	L	15	17Q15L56
175	Q	56	R	15	17Q15R56
175	Q	56	LR	15	17Q15LR56
175	Q	56	L	20	17Q20L56
175	Q	56	R	20	17Q20R56
175	Q	56	LR	20	17Q20LR56
175	Q	56	L	25	17Q25L56
175	Q	56	R	25	17Q25R56
175	Q	56	LR	25	17Q25LR56
175	Q	56	L	30	17Q30L56
175	Q	56	R	30	17Q30R56
175	Q	56	LR	30	17Q30LR56
175	Q	56	L	40	17Q40L56
175	Q	56	R	40	17Q40R56
175	Q	56	LR	40	17Q40LR56
175	Q	56	L	50	17Q50L56
175	Q	56	R	50	17Q50R56
175	Q	56	LR	50	17Q50LR56
175	Q	56	L	60	17Q60L56
175	Q	56	R	60	17Q60R56
175	Q	56	LR	60	17Q60LR56
175	Q	140	L	5	17Q05L14
175	Q	140	R	5	17Q05R14
175	Q	140	LR	5	17Q05LR14
175	Q	140	L	10	17Q10L14
175	Q	140	R	10	17Q10R14
175	Q	140	LR	10	17Q10LR14
175	Q	140	L	15	17Q15L14
175	Q	140	R	15	17Q15R14
175	Q	140	LR	15	17Q15LR14

Metric Reducers – Ratings & Dimensions

Ratio multiplier

Accessories

Competitor interchange

Renewal parts

Part number index

Competitor interchange

Morse coupled input

1.75" Center distance

Coupled input (with base)

Add 17BASE for Tigear®-2

Morse nomenclature					Tigear equivalent
175	CT	56	L	5	17A05L56
175	CT	56	R	5	17A05R56
175	CT	56	LR	5	17A05LR56
175	CT	56	L	10	17A10L56
175	CT	56	R	10	17A10R56
175	CT	56	LR	10	17A10LR56
175	CT	56	L	15	17A15L56
175	CT	56	R	15	17A15R56
175	CT	56	LR	15	17A15LR56
175	CT	56	L	20	17A20L56
175	CT	56	R	20	17A20R56
175	CT	56	LR	20	17A20LR56
175	CT	56	L	25	17A25L56
175	CT	56	R	25	17A25R56
175	CT	56	LR	25	17A25LR56
175	CT	56	L	30	17A30L56
175	CT	56	R	30	17A30R56
175	CT	56	LR	30	17A30LR56
175	CT	56	L	40	17A40L56
175	CT	56	R	40	17A40R56
175	CT	56	LR	40	17A40LR56
175	CT	56	L	50	17A50L56
175	CT	56	R	50	17A50R56
175	CT	56	LR	50	17A50LR56
175	CT	56	L	60	17A60L56
175	CT	56	R	60	17A60R56
175	CT	56	LR	60	17A60LR56
175	CT	140	L	5	17A05L14
175	CT	140	R	5	17A05R14
175	CT	140	LR	5	17A05LR14
175	CT	140	L	10	17A10L14
175	CT	140	R	10	17A10R14
175	CT	140	LR	10	17A10LR14
175	CT	140	L	15	17A15L14
175	CT	140	R	15	17A15R14
175	CT	140	LR	15	17A15LR14

Coupled input (without base)

Morse nomenclature					Tigear equivalent
175	C	56	L	5	17A05L56
175	C	56	R	5	17A05R56
175	C	56	LR	5	17A05LR56
175	C	56	L	10	17A10L56
175	C	56	R	10	17A10R56
175	C	56	LR	10	17A10LR56
175	C	56	L	15	17A15L56
175	C	56	R	15	17A15R56
175	C	56	LR	15	17A15LR56
175	C	56	L	20	17A20L56
175	C	56	R	20	17A20R56
175	C	56	LR	20	17A20LR56
175	C	56	L	25	17A25L56
175	C	56	R	25	17A25R56
175	C	56	LR	25	17A25LR56
175	C	56	L	30	17A30L56
175	C	56	R	30	17A30R56
175	C	56	LR	30	17A30LR56
175	C	56	L	40	17A40L56
175	C	56	R	40	17A40R56
175	C	56	LR	40	17A40LR56
175	C	56	L	50	17A50L56
175	C	56	R	50	17A50R56
175	C	56	LR	50	17A50LR56
175	C	56	L	60	17A60L56
175	C	56	R	60	17A60R56
175	C	56	LR	60	17A60LR56
175	C	140	L	5	17A05L14
175	C	140	R	5	17A05R14
175	C	140	LR	5	17A05LR14
175	C	140	L	10	17A10L14
175	C	140	R	10	17A10R14
175	C	140	LR	10	17A10LR14
175	C	140	L	15	17A15L14
175	C	140	R	15	17A15R14
175	C	140	LR	15	17A15LR14

Competitor interchange

Morse quill input

2.06" Center distance

Quill input (with base)

Add 20BASE for Tigear®-2

Morse nomenclature					Tigear equivalent
206	QT	56	L	5	20Q05L56
206	QT	56	R	5	20Q05R56
206	QT	56	LR	5	20Q05LR56
206	QT	56	L	10	20Q10L56
206	QT	56	R	10	20Q10R56
206	QT	56	LR	10	20Q10LR56
206	QT	56	L	15	20Q15L56
206	QT	56	R	15	20Q15R56
206	QT	56	LR	15	20Q15LR56
206	QT	56	L	20	20Q20L56
206	QT	56	R	20	20Q20R56
206	QT	56	LR	20	20Q20LR56
206	QT	56	L	25	20Q25L56
206	QT	56	R	25	20Q25R56
206	QT	56	LR	25	20Q25LR56
206	QT	56	L	30	20Q30L56
206	QT	56	R	30	20Q30R56
206	QT	56	LR	30	20Q30LR56
206	QT	56	L	40	20Q40L56
206	QT	56	R	40	20Q40R56
206	QT	56	LR	40	20Q40LR56
206	QT	56	L	50	20Q50L56
206	QT	56	R	50	20Q50R56
206	QT	56	LR	50	20Q50LR56
206	QT	56	L	60	20Q60L56
206	QT	56	R	60	20Q60R56
206	QT	56	LR	60	20Q60LR56
206	QT	140	L	5	20Q05L14
206	QT	140	R	5	20Q05R14
206	QT	140	LR	5	20Q05LR14
206	QT	140	L	10	20Q10L14
206	QT	140	R	10	20Q10R14
206	QT	140	LR	10	20Q10LR14
206	QT	140	L	15	20Q15L14
206	QT	140	R	15	20Q15R14
206	QT	140	LR	15	20Q15LR14
206	QT	140	L	20	20Q20L14
206	QT	140	R	20	20Q20R14
206	QT	140	LR	20	20Q20LR14
206	QT	140	L	25	20Q25L14
206	QT	140	R	25	20Q25R14
206	QT	140	LR	25	20Q25LR14

Quill input (without base)

Morse nomenclature					Tigear equivalent
206	Q	56	L	5	20Q05L56
206	Q	56	R	5	20Q05R56
206	Q	56	LR	5	20Q05LR56
206	Q	56	L	10	20Q10L56
206	Q	56	R	10	20Q10R56
206	Q	56	LR	10	20Q10LR56
206	Q	56	L	15	20Q15L56
206	Q	56	R	15	20Q15R56
206	Q	56	LR	15	20Q15LR56
206	Q	56	L	20	20Q20L56
206	Q	56	R	20	20Q20R56
206	Q	56	LR	20	20Q20LR56
206	Q	56	L	25	20Q25L56
206	Q	56	R	25	20Q25R56
206	Q	56	LR	25	20Q25LR56
206	Q	56	L	30	20Q30L56
206	Q	56	R	30	20Q30R56
206	Q	56	LR	30	20Q30LR56
206	Q	56	L	40	20Q40L56
206	Q	56	R	40	20Q40R56
206	Q	56	LR	40	20Q40LR56
206	Q	56	L	50	20Q50L56
206	Q	56	R	50	20Q50R56
206	Q	56	LR	50	20Q50LR56
206	Q	56	L	60	20Q60L56
206	Q	56	R	60	20Q60R56
206	Q	56	LR	60	20Q60LR56
206	Q	140	L	5	20Q05L14
206	Q	140	R	5	20Q05R14
206	Q	140	LR	5	20Q05LR14
206	Q	140	L	10	20Q10L14
206	Q	140	R	10	20Q10R14
206	Q	140	LR	10	20Q10LR14
206	Q	140	L	15	20Q15L14
206	Q	140	R	15	20Q15R14
206	Q	140	LR	15	20Q15LR14
206	Q	140	L	20	20Q20L14
206	Q	140	R	20	20Q20R14
206	Q	140	LR	20	20Q20LR14
206	Q	140	L	25	20Q25L14
206	Q	140	R	25	20Q25R14
206	Q	140	LR	25	20Q25LR14

Competitor interchange

Morse coupled input

2.06" Center distance

Coupled input (with base)

Add 20BASE for Tigear-2

Morse nomenclature					Tigear equivalent
206	CT	56	L	5	20A05L56
206	CT	56	R	5	20A05R56
206	CT	56	LR	5	20A05LR56
206	CT	56	L	10	20A10L56
206	CT	56	R	10	20A10R56
206	CT	56	LR	10	20A10LR56
206	CT	56	L	15	20A15L56
206	CT	56	R	15	20A15R56
206	CT	56	LR	15	20A15LR56
206	CT	56	L	20	20A20L56
206	CT	56	R	20	20A20R56
206	CT	56	LR	20	20A20LR56
206	CT	56	L	25	20A25L56
206	CT	56	R	25	20A25R56
206	CT	56	LR	25	20A25LR56
206	CT	56	L	30	20A30L56
206	CT	56	R	30	20A30R56
206	CT	56	LR	30	20A30LR56
206	CT	56	L	40	20A40L56
206	CT	56	R	40	20A40R56
206	CT	56	LR	40	20A40LR56
206	CT	56	L	50	20A50L56
206	CT	56	R	50	20A50R56
206	CT	56	LR	50	20A50LR56
206	CT	56	L	60	20A60L56
206	CT	56	R	60	20A60R56
206	CT	56	LR	60	20A60LR56
206	CT	140	L	5	20A05L14
206	CT	140	R	5	20A05R14
206	CT	140	LR	5	20A05LR14
206	CT	140	L	10	20A10L14
206	CT	140	R	10	20A10R14
206	CT	140	LR	10	20A10LR14
206	CT	140	L	15	20A15L14
206	CT	140	R	15	20A15R14
206	CT	140	LR	15	20A15LR14
206	CT	140	L	20	20A20L14
206	CT	140	R	20	20A20R14
206	CT	140	LR	20	20A20LR14
206	CT	140	L	25	20A25L14
206	CT	140	R	25	20A25R14
206	CT	140	LR	25	20A25LR14

Coupled input (without base)

Morse nomenclature					Tigear equivalent
206	C	56	L	5	20A05L56
206	C	56	R	5	20A05R56
206	C	56	LR	5	20A05LR56
206	C	56	L	10	20A10L56
206	C	56	R	10	20A10R56
206	C	56	LR	10	20A10LR56
206	C	56	L	15	20A15L56
206	C	56	R	15	20A15R56
206	C	56	LR	15	20A15LR56
206	C	56	L	20	20A20L56
206	C	56	R	20	20A20R56
206	C	56	LR	20	20A20LR56
206	C	56	L	25	20A25L56
206	C	56	R	25	20A25R56
206	C	56	LR	25	20A25LR56
206	C	56	L	30	20A30L56
206	C	56	R	30	20A30R56
206	C	56	LR	30	20A30LR56
206	C	56	L	40	20A40L56
206	C	56	R	40	20A40R56
206	C	56	LR	40	20A40LR56
206	C	56	L	50	20A50L56
206	C	56	R	50	20A50R56
206	C	56	LR	50	20A50LR56
206	C	56	L	60	20A60L56
206	C	56	R	60	20A60R56
206	C	56	LR	60	20A60LR56
206	C	140	L	5	20A05L14
206	C	140	R	5	20A05R14
206	C	140	LR	5	20A05LR14
206	C	140	L	10	20A10L14
206	C	140	R	10	20A10R14
206	C	140	LR	10	20A10LR14
206	C	140	L	15	20A15L14
206	C	140	R	15	20A15R14
206	C	140	LR	15	20A15LR14
206	C	140	L	20	20A20L14
206	C	140	R	20	20A20R14
206	C	140	LR	20	20A20LR14
206	C	140	L	25	20A25L14
206	C	140	R	25	20A25R14
206	C	140	LR	25	20A25LR14

Competitor interchange

Morse quill input

2.37" Center distance

Quill input (with base)

Add 23BASE for Tigear®-2

Morse nomenclature					Tigear equivalent
237	QT	56	L	10	23Q10L56
237	QT	56	R	10	23Q10R56
237	QT	56	LR	10	23Q10LR56
237	QT	56	L	15	23Q15L56
237	QT	56	R	15	23Q15R56
237	QT	56	LR	15	23Q15LR56
237	QT	56	L	20	23Q20L56
237	QT	56	R	20	23Q20R56
237	QT	56	LR	20	23Q20LR56
237	QT	56	L	25	23Q25L56
237	QT	56	R	25	23Q25R56
237	QT	56	LR	25	23Q25LR56
237	QT	56	L	30	23Q30L56
237	QT	56	R	30	23Q30R56
237	QT	56	LR	30	23Q30LR56
237	QT	56	L	40	23Q40L56
237	QT	56	R	40	23Q40R56
237	QT	56	LR	40	23Q40LR56
237	QT	56	L	50	23Q50L56
237	QT	56	R	50	23Q50R56
237	QT	56	LR	50	23Q50LR56
237	QT	56	L	60	23Q60L56
237	QT	56	R	60	23Q60R56
237	QT	56	LR	60	23Q60LR56
237	QT	140	L	5	23Q05L14
237	QT	140	R	5	23Q05R14
237	QT	140	LR	5	23Q05LR14
237	QT	140	L	10	23Q10L14
237	QT	140	R	10	23Q10R14
237	QT	140	LR	10	23Q10LR14
237	QT	140	L	15	23Q15L14
237	QT	140	R	15	23Q15R14
237	QT	140	LR	15	23Q15LR14
237	QT	140	L	20	23Q20L14
237	QT	140	R	20	23Q20R14
237	QT	140	LR	20	23Q20LR14
237	QT	140	L	25	23Q25L14
237	QT	140	R	25	23Q25R14
237	QT	140	LR	25	23Q25LR14
237	QT	140	L	30	23Q30L14
237	QT	140	R	30	23Q30R14
237	QT	140	LR	30	23Q30LR14
237	QT	140	L	40	23Q40L14
237	QT	140	R	40	23Q40R14
237	QT	140	LR	40	23Q40LR14
237	QT	180	L	5	23Q05L18
237	QT	180	R	5	23Q05R18
237	QT	180	LR	5	23Q05LR18
237	QT	180	L	10	23Q10L18
237	QT	180	R	10	23Q10R18
237	QT	180	LR	10	23Q10LR18

Quill input (without base)

Morse nomenclature					Tigear equivalent
237	Q	56	L	10	23Q10L56
237	Q	56	R	10	23Q10R56
237	Q	56	LR	10	23Q10LR56
237	Q	56	L	15	23Q15L56
237	Q	56	R	15	23Q15R56
237	Q	56	LR	15	23Q15LR56
237	Q	56	L	20	23Q20L56
237	Q	56	R	20	23Q20R56
237	Q	56	LR	20	23Q20LR56
237	Q	56	L	25	23Q25L56
237	Q	56	R	25	23Q25R56
237	Q	56	LR	25	23Q25LR56
237	Q	56	L	30	23Q30L56
237	Q	56	R	30	23Q30R56
237	Q	56	LR	30	23Q30LR56
237	Q	56	L	40	23Q40L56
237	Q	56	R	40	23Q40R56
237	Q	56	LR	40	23Q40LR56
237	Q	56	L	50	23Q50L56
237	Q	56	R	50	23Q50R56
237	Q	56	LR	50	23Q50LR56
237	Q	56	L	60	23Q60L56
237	Q	56	R	60	23Q60R56
237	Q	56	LR	60	23Q60LR56
237	Q	140	L	5	23Q05L14
237	Q	140	R	5	23Q05R14
237	Q	140	LR	5	23Q05LR14
237	Q	140	L	10	23Q10L14
237	Q	140	R	10	23Q10R14
237	Q	140	LR	10	23Q10LR14
237	Q	140	L	15	23Q15L14
237	Q	140	R	15	23Q15R14
237	Q	140	LR	15	23Q15LR14
237	Q	140	L	20	23Q20L14
237	Q	140	R	20	23Q20R14
237	Q	140	LR	20	23Q20LR14
237	Q	140	L	25	23Q25L14
237	Q	140	R	25	23Q25R14
237	Q	140	LR	25	23Q25LR14
237	Q	140	L	30	23Q30L14
237	Q	140	R	30	23Q30R14
237	Q	140	LR	30	23Q30LR14
237	Q	140	L	40	23Q40L14
237	Q	140	R	40	23Q40R14
237	Q	140	LR	40	23Q40LR14
237	Q	180	L	5	23Q05L18
237	Q	180	R	5	23Q05R18
237	Q	180	LR	5	23Q05LR18
237	Q	180	L	10	23Q10L18
237	Q	180	R	10	23Q10R18
237	Q	180	LR	10	23Q10LR18

Competitor interchange

Morse coupled input

2.37" Center distance

Coupled input (with base)

Add 23BASE for Tigeat®-2

Morse nomenclature	Tigear equivalent
237 CT 56 L 10	23A10L56
237 CT 56 R 10	23A10R56
237 CT 56 LR 10	23A10LR56
237 CT 56 L 15	23A15L56
237 CT 56 R 15	23A15R56
237 CT 56 LR 15	23A15LR56
237 CT 56 L 20	23A20L56
237 CT 56 R 20	23A20R56
237 CT 56 LR 20	23A20LR56
237 CT 56 L 25	23A25L56
237 CT 56 R 25	23A25R56
237 CT 56 LR 25	23A25LR56
237 CT 56 L 30	23A30L56
237 CT 56 R 30	23A30R56
237 CT 56 LR 30	23A30LR56
237 CT 56 L 40	23A40L56
237 CT 56 R 40	23A40R56
237 CT 56 LR 40	23A40LR56
237 CT 56 L 50	23A50L56
237 CT 56 R 50	23A50R56
237 CT 56 LR 50	23A50LR56
237 CT 56 L 60	23A60L56
237 CT 56 R 60	23A60R56
237 CT 56 LR 60	23A60LR56
237 CT 140 L 5	23A05L14
237 CT 140 R 5	23A05R14
237 CT 140 LR 5	23A05LR14
237 CT 140 L 10	23A10L14
237 CT 140 R 10	23A10R14
237 CT 140 LR 10	23A10LR14
237 CT 140 L 15	23A15L14
237 CT 140 R 15	23A15R14
237 CT 140 LR 15	23A15LR14
237 CT 140 L 20	23A20L14
237 CT 140 R 20	23A20R14
237 CT 140 LR 20	23A20LR14
237 CT 140 L 25	23A25L14
237 CT 140 R 25	23A25R14
237 CT 140 LR 25	23A25LR14
237 CT 140 L 30	23A30L14
237 CT 140 R 30	23A30R14
237 CT 140 LR 30	23A30LR14
237 CT 140 L 40	23A40L14
237 CT 140 R 40	23A40R14
237 CT 140 LR 40	23A40LR14
237 CT 180 L 5	23A05L18
237 CT 180 R 5	23A05R18
237 CT 180 LR 5	23A05LR18
237 CT 180 L 10	23A10L18
237 CT 180 R 10	23A10R18
237 CT 180 LR 10	23A10LR18

Coupled input (without base)

Morse nomenclature	Tigear equivalent
237 C 56 L 10	23A10L56
237 C 56 R 10	23A10R56
237 C 56 LR 10	23A10LR56
237 C 56 L 15	23A15L56
237 C 56 R 15	23A15R56
237 C 56 LR 15	23A15LR56
237 C 56 L 20	23A20L56
237 C 56 R 20	23A20R56
237 C 56 LR 20	23A20LR56
237 C 56 L 25	23A25L56
237 C 56 R 25	23A25R56
237 C 56 LR 25	23A25LR56
237 C 56 L 30	23A30L56
237 C 56 R 30	23A30R56
237 C 56 LR 30	23A30LR56
237 C 56 L 40	23A40L56
237 C 56 R 40	23A40R56
237 C 56 LR 40	23A40LR56
237 C 56 L 50	23A50L56
237 C 56 R 50	23A50R56
237 C 56 LR 50	23A50LR56
237 C 56 L 60	23A60L56
237 C 56 R 60	23A60R56
237 C 56 LR 60	23A60LR56
237 C 140 L 5	23A05L14
237 C 140 R 5	23A05R14
237 C 140 LR 5	23A05LR14
237 C 140 L 10	23A10L14
237 C 140 R 10	23A10R14
237 C 140 LR 10	23A10LR14
237 C 140 L 15	23A15L14
237 C 140 R 15	23A15R14
237 C 140 LR 15	23A15LR14
237 C 140 L 20	23A20L14
237 C 140 R 20	23A20R14
237 C 140 LR 20	23A20LR14
237 C 140 L 25	23A25L14
237 C 140 R 25	23A25R14
237 C 140 LR 25	23A25LR14
237 C 140 L 30	23A30L14
237 C 140 R 30	23A30R14
237 C 140 LR 30	23A30LR14
237 C 140 L 40	23A40L14
237 C 140 R 40	23A40R14
237 C 140 LR 40	23A40LR14
237 C 180 L 5	23A05L18
237 C 180 R 5	23A05R18
237 C 180 LR 5	23A05LR18
237 C 180 L 10	23A10L18
237 C 180 R 10	23A10R18
237 C 180 LR 10	23A10LR18

Competitor interchange

Morse quill input

2.62" Center distance

Quill input (with base)

Add 26BASE for Tigear®-2

Morse nomenclature					Tigear equivalent
262	QT	56	L	10	26Q10L56
262	QT	56	R	10	26Q10R56
262	QT	56	LR	10	26Q10LR56
262	QT	56	L	15	26Q15L56
262	QT	56	R	15	26Q15R56
262	QT	56	LR	15	26Q15LR56
262	QT	56	L	20	26Q20L56
262	QT	56	R	20	26Q20R56
262	QT	56	LR	20	26Q20LR56
262	QT	56	L	25	26Q25L56
262	QT	56	R	25	26Q25R56
262	QT	56	LR	25	26Q25LR56
262	QT	56	L	30	26Q30L56
262	QT	56	R	30	26Q30R56
262	QT	56	LR	30	26Q30LR56
262	QT	56	L	40	26Q40L56
262	QT	56	R	40	26Q40R56
262	QT	56	LR	40	26Q40LR56
262	QT	56	L	50	26Q50L56
262	QT	56	R	50	26Q50R56
262	QT	56	LR	50	26Q50LR56
262	QT	56	L	60	26Q60L56
262	QT	56	R	60	26Q60R56
262	QT	56	LR	60	26Q60LR56
262	QT	140	L	5	26Q05L14
262	QT	140	R	5	26Q05R14
262	QT	140	LR	5	26Q05LR14
262	QT	140	L	10	26Q10L14
262	QT	140	R	10	26Q10R14
262	QT	140	LR	10	26Q10LR14
262	QT	140	L	15	26Q15L14
262	QT	140	R	15	26Q15R14
262	QT	140	LR	15	26Q15LR14
262	QT	140	L	20	26Q20L14
262	QT	140	R	20	26Q20R14
262	QT	140	LR	20	26Q20LR14
262	QT	140	L	25	26Q25L14
262	QT	140	R	25	26Q25R14
262	QT	140	LR	25	26Q25LR14
262	QT	140	L	30	26Q30L14
262	QT	140	R	30	26Q30R14
262	QT	140	LR	30	26Q30LR14
262	QT	140	L	40	26Q40L14
262	QT	140	R	40	26Q40R14
262	QT	140	LR	40	26Q40LR14
262	QT	180	L	5	26Q05L18
262	QT	180	R	5	26Q05R18
262	QT	180	LR	5	26Q05LR18
262	QT	180	L	10	26Q10L18
262	QT	180	R	10	26Q10R18
262	QT	180	LR	10	26Q10LR18

Quill input (without base)

Morse nomenclature					Tigear equivalent
262	Q	56	L	10	26Q10L56
262	Q	56	R	10	26Q10R56
262	Q	56	LR	10	26Q10LR56
262	Q	56	L	15	26Q15L56
262	Q	56	R	15	26Q15R56
262	Q	56	LR	15	26Q15LR56
262	Q	56	L	20	26Q20L56
262	Q	56	R	20	26Q20R56
262	Q	56	LR	20	26Q20LR56
262	Q	56	L	25	26Q25L56
262	Q	56	R	25	26Q25R56
262	Q	56	LR	25	26Q25LR56
262	Q	56	L	30	26Q30L56
262	Q	56	R	30	26Q30R56
262	Q	56	LR	30	26Q30LR56
262	Q	56	L	40	26Q40L56
262	Q	56	R	40	26Q40R56
262	Q	56	LR	40	26Q40LR56
262	Q	56	L	50	26Q50L56
262	Q	56	R	50	26Q50R56
262	Q	56	LR	50	26Q50LR56
262	Q	56	L	60	26Q60L56
262	Q	56	R	60	26Q60R56
262	Q	56	LR	60	26Q60LR56
262	Q	140	L	5	26Q05L14
262	Q	140	R	5	26Q05R14
262	Q	140	LR	5	26Q05LR14
262	Q	140	L	10	26Q10L14
262	Q	140	R	10	26Q10R14
262	Q	140	LR	10	26Q10LR14
262	Q	140	L	15	26Q15L14
262	Q	140	R	15	26Q15R14
262	Q	140	LR	15	26Q15LR14
262	Q	140	L	20	26Q20L14
262	Q	140	R	20	26Q20R14
262	Q	140	LR	20	26Q20LR14
262	Q	140	L	25	26Q25L14
262	Q	140	R	25	26Q25R14
262	Q	140	LR	25	26Q25LR14
262	Q	140	L	30	26Q30L14
262	Q	140	R	30	26Q30R14
262	Q	140	LR	30	26Q30LR14
262	Q	140	L	40	26Q40L14
262	Q	140	R	40	26Q40R14
262	Q	140	LR	40	26Q40LR14
262	Q	180	L	5	26Q05L18
262	Q	180	R	5	26Q05R18
262	Q	180	LR	5	26Q05LR18
262	Q	180	L	10	26Q10L18
262	Q	180	R	10	26Q10R18
262	Q	180	LR	10	26Q10LR18

Competitor interchange

Morse coupled input

2.62" Center distance

Coupled input (with base)

Add 26BASE for Tigar®-2

Morse nomenclature					Tigar equivalent
262	CT	56	L	10	26A10L56
262	CT	56	R	10	26A10R56
262	CT	56	LR	10	26A10LR56
262	CT	56	L	15	26A15L56
262	CT	56	R	15	26A15R56
262	CT	56	LR	15	26A15LR56
262	CT	56	L	20	26A20L56
262	CT	56	R	20	26A20R56
262	CT	56	LR	20	26A20LR56
262	CT	56	L	25	26A25L56
262	CT	56	R	25	26A25R56
262	CT	56	LR	25	26A25LR56
262	CT	56	L	30	26A30L56
262	CT	56	R	30	26A30R56
262	CT	56	LR	30	26A30LR56
262	CT	56	L	40	26A40L56
262	CT	56	R	40	26A40R56
262	CT	56	LR	40	26A40LR56
262	CT	56	L	50	26A50L56
262	CT	56	R	50	26A50R56
262	CT	56	LR	50	26A50LR56
262	CT	56	L	60	26A60L56
262	CT	56	R	60	26A60R56
262	CT	56	LR	60	26A60LR56
262	CT	140	L	5	26A05L14
262	CT	140	R	5	26A05R14
262	CT	140	LR	5	26A05LR14
262	CT	140	L	10	26A10L14
262	CT	140	R	10	26A10R14
262	CT	140	LR	10	26A10LR14
262	CT	140	L	15	26A15L14
262	CT	140	R	15	26A15R14
262	CT	140	LR	15	26A15LR14
262	CT	140	L	20	26A20L14
262	CT	140	R	20	26A20R14
262	CT	140	LR	20	26A20LR14
262	CT	140	L	25	26A25L14
262	CT	140	R	25	26A25R14
262	CT	140	LR	25	26A25LR14
262	CT	140	L	30	26A30L14
262	CT	140	R	30	26A30R14
262	CT	140	LR	30	26A30LR14
262	CT	140	L	40	26A40L14
262	CT	140	R	40	26A40R14
262	CT	140	LR	40	26A40LR14
262	CT	180	L	5	26A05L18
262	CT	180	R	5	26A05R18
262	CT	180	LR	5	26A05LR18
262	CT	180	L	10	26A10L18
262	CT	180	R	10	26A10R18
262	CT	180	LR	10	26A10LR18

Coupled input (without base)

Morse nomenclature					Tigar equivalent
262	C	56	L	10	26A10L56
262	C	56	R	10	26A10R56
262	C	56	LR	10	26A10LR56
262	C	56	L	15	26A15L56
262	C	56	R	15	26A15R56
262	C	56	LR	15	26A15LR56
262	C	56	L	20	26A20L56
262	C	56	R	20	26A20R56
262	C	56	LR	20	26A20LR56
262	C	56	L	25	26A25L56
262	C	56	R	25	26A25R56
262	C	56	LR	25	26A25LR56
262	C	56	L	30	26A30L56
262	C	56	R	30	26A30R56
262	C	56	LR	30	26A30LR56
262	C	56	L	40	26A40L56
262	C	56	R	40	26A40R56
262	C	56	LR	40	26A40LR56
262	C	56	L	50	26A50L56
262	C	56	R	50	26A50R56
262	C	56	LR	50	26A50LR56
262	C	56	L	60	26A60L56
262	C	56	R	60	26A60R56
262	C	56	LR	60	26A60LR56
262	C	140	L	5	26A05L14
262	C	140	R	5	26A05R14
262	C	140	LR	5	26A05LR14
262	C	140	L	10	26A10L14
262	C	140	R	10	26A10R14
262	C	140	LR	10	26A10LR14
262	C	140	L	15	26A15L14
262	C	140	R	15	26A15R14
262	C	140	LR	15	26A15LR14
262	C	140	L	20	26A20L14
262	C	140	R	20	26A20R14
262	C	140	LR	20	26A20LR14
262	C	140	L	25	26A25L14
262	C	140	R	25	26A25R14
262	C	140	LR	25	26A25LR14
262	C	140	L	30	26A30L14
262	C	140	R	30	26A30R14
262	C	140	LR	30	26A30LR14
262	C	140	L	40	26A40L14
262	C	140	R	40	26A40R14
262	C	140	LR	40	26A40LR14
262	C	180	L	5	26A05L18
262	C	180	R	5	26A05R18
262	C	180	LR	5	26A05LR18
262	C	180	L	10	26A10L18
262	C	180	R	10	26A10R18
262	C	180	LR	10	26A10LR18

Competitor interchange

Morse quill input

3.00" Center distance

Quill input (with base)

Add 30BASE for Tigear®-2

Morse nomenclature					Tigear equivalent
300	QT	56	L	30	30Q30L56
300	QT	56	R	30	30Q30R56
300	QT	56	LR	30	30Q30LR56
300	QT	56	L	40	30Q40L56
300	QT	56	R	40	30Q40R56
300	QT	56	LR	40	30Q40LR56
300	QT	56	L	50	30Q50L56
300	QT	56	R	50	30Q50R56
300	QT	56	LR	50	30Q50LR56
300	QT	56	L	60	30Q60L56
300	QT	56	R	60	30Q60R56
300	QT	56	LR	60	30Q60LR56
300	QT	140	L	5	30Q05L14
300	QT	140	R	5	30Q05R14
300	QT	140	LR	5	30Q05LR14
300	QT	140	L	10	30Q10L14
300	QT	140	R	10	30Q10R14
300	QT	140	LR	10	30Q10LR14
300	QT	140	L	15	30Q15L14
300	QT	140	R	15	30Q15R14
300	QT	140	LR	15	30Q15LR14
300	QT	140	L	20	30Q20L14
300	QT	140	R	20	30Q20R14
300	QT	140	LR	20	30Q20LR14
300	QT	140	L	25	30Q25L14
300	QT	140	R	25	30Q25R14
300	QT	140	LR	25	30Q25LR14
300	QT	140	L	30	30Q30L14
300	QT	140	R	30	30Q30R14
300	QT	140	LR	30	30Q30LR14
300	QT	140	L	40	30Q40L14
300	QT	140	R	40	30Q40R14
300	QT	140	LR	40	30Q40LR14
300	QT	140	L	50	30Q50L14
300	QT	140	R	50	30Q50R14
300	QT	140	LR	50	30Q50LR14
300	QT	140	L	60	30Q60L14
300	QT	140	R	60	30Q60R14
300	QT	140	LR	60	30Q60LR14
300	QT	180	L	5	30Q05L18
300	QT	180	R	5	30Q05R18
300	QT	180	LR	5	30Q05LR18
300	QT	180	L	10	30Q10L18
300	QT	180	R	10	30Q10R18
300	QT	180	LR	10	30Q10LR18
300	QT	180	L	15	30Q15L18
300	QT	180	R	15	30Q15R18
300	QT	180	LR	15	30Q15LR18
300	QT	180	L	20	30Q20L18
300	QT	180	R	20	30Q20R18
300	QT	180	LR	20	30Q20LR18
300	QT	180	L	25	30Q25L18
300	QT	180	R	25	30Q25R18
300	QT	180	LR	25	30Q25LR18
300	QT	180	L	30	30Q30L18
300	QT	180	R	30	30Q30R18
300	QT	180	LR	30	30Q30LR18

Quill input (without base)

Morse nomenclature					Tigear equivalent
300	Q	56	L	30	30Q30L56
300	Q	56	R	30	30Q30R56
300	Q	56	LR	30	30Q30LR56
300	Q	56	L	40	30Q40L56
300	Q	56	R	40	30Q40R56
300	Q	56	LR	40	30Q40LR56
300	Q	56	L	50	30Q50L56
300	Q	56	R	50	30Q50R56
300	Q	56	LR	50	30Q50LR56
300	Q	56	L	60	30Q60L56
300	Q	56	R	60	30Q60R56
300	Q	56	LR	60	30Q60LR56
300	Q	140	L	5	30Q05L14
300	Q	140	R	5	30Q05R14
300	Q	140	LR	5	30Q05LR14
300	Q	140	L	10	30Q10L14
300	Q	140	R	10	30Q10R14
300	Q	140	LR	10	30Q10LR14
300	Q	140	L	15	30Q15L14
300	Q	140	R	15	30Q15R14
300	Q	140	LR	15	30Q15LR14
300	Q	140	L	20	30Q20L14
300	Q	140	R	20	30Q20R14
300	Q	140	LR	20	30Q20LR14
300	Q	140	L	25	30Q25L14
300	Q	140	R	25	30Q25R14
300	Q	140	LR	25	30Q25LR14
300	Q	140	L	30	30Q30L14
300	Q	140	R	30	30Q30R14
300	Q	140	LR	30	30Q30LR14
300	Q	140	L	40	30Q40L14
300	Q	140	R	40	30Q40R14
300	Q	140	LR	40	30Q40LR14
300	Q	140	L	50	30Q50L14
300	Q	140	R	50	30Q50R14
300	Q	140	LR	50	30Q50LR14
300	Q	140	L	60	30Q60L14
300	Q	140	R	60	30Q60R14
300	Q	140	LR	60	30Q60LR14
300	Q	180	L	5	30Q05L18
300	Q	180	R	5	30Q05R18
300	Q	180	LR	5	30Q05LR18
300	Q	180	L	10	30Q10L18
300	Q	180	R	10	30Q10R18
300	Q	180	LR	10	30Q10LR18
300	Q	180	L	15	30Q15L18
300	Q	180	R	15	30Q15R18
300	Q	180	LR	15	30Q15LR18
300	Q	180	L	20	30Q20L18
300	Q	180	R	20	30Q20R18
300	Q	180	LR	20	30Q20LR18
300	Q	180	L	25	30Q25L18
300	Q	180	R	25	30Q25R18
300	Q	180	LR	25	30Q25LR18
300	Q	180	L	30	30Q30L18
300	Q	180	R	30	30Q30R18
300	Q	180	LR	30	30Q30LR18

Metric Reducers – Ratings & Dimensions

Ratio multiplier

Accessories

Competitor interchange

Renewal parts

Part number index

Competitor interchange

Morse coupled input

3.00" Center distance

Coupled input (with base)

Add 30BASE for Tigar®-2

Morse nomenclature					Tigear equivalent
300	CT	56	L	30	30A30L56
300	CT	56	R	30	30A30R56
300	CT	56	LR	30	30A30LR56
300	CT	56	L	40	30A40L56
300	CT	56	R	40	30A40R56
300	CT	56	LR	40	30A40LR56
300	CT	56	L	50	30A50L56
300	CT	56	R	50	30A50R56
300	CT	56	LR	50	30A50LR56
300	CT	56	L	60	30A60L56
300	CT	56	R	60	30A60R56
300	CT	56	LR	60	30A60LR56
300	CT	140	L	5	30A05L14
300	CT	140	R	5	30A05R14
300	CT	140	LR	5	30A05LR14
300	CT	140	L	10	30A10L14
300	CT	140	R	10	30A10R14
300	CT	140	LR	10	30A10LR14
300	CT	140	L	15	30A15L14
300	CT	140	R	15	30A15R14
300	CT	140	LR	15	30A15LR14
300	CT	140	L	20	30A20L14
300	CT	140	R	20	30A20R14
300	CT	140	LR	20	30A20LR14
300	CT	140	L	25	30A25L14
300	CT	140	R	25	30A25R14
300	CT	140	LR	25	30A25LR14
300	CT	140	L	30	30A30L14
300	CT	140	R	30	30A30R14
300	CT	140	LR	30	30A30LR14
300	CT	140	L	40	30A40L14
300	CT	140	R	40	30A40R14
300	CT	140	LR	40	30A40LR14
300	CT	140	L	50	30A50L14
300	CT	140	R	50	30A50R14
300	CT	140	LR	50	30A50LR14
300	CT	140	L	60	30A60L14
300	CT	140	R	60	30A60R14
300	CT	140	LR	60	30A60LR14
300	CT	180	L	5	30A05L18
300	CT	180	R	5	30A05R18
300	CT	180	LR	5	30A05LR18
300	CT	180	L	10	30A10L18
300	CT	180	R	10	30A10R18
300	CT	180	LR	10	30A10LR18
300	CT	180	L	15	30A15L18
300	CT	180	R	15	30A15R18
300	CT	180	LR	15	30A15LR18
300	CT	180	L	20	30A20L18
300	CT	180	R	20	30A20R18
300	CT	180	LR	20	30A20LR18
300	CT	180	L	25	30A25L18
300	CT	180	R	25	30A25R18
300	CT	180	LR	25	30A25LR18
300	CT	180	L	30	30A30L18
300	CT	180	R	30	30A30R18
300	CT	180	LR	30	30A30LR18

Coupled input (without base)

Morse nomenclature					Tigear equivalent
300	C	56	L	30	30A30L56
300	C	56	R	30	30A30R56
300	C	56	LR	30	30A30LR56
300	C	56	L	40	30A40L56
300	C	56	R	40	30A40R56
300	C	56	LR	40	30A40LR56
300	C	56	L	50	30A50L56
300	C	56	R	50	30A50R56
300	C	56	LR	50	30A50LR56
300	C	56	L	60	30A60L56
300	C	56	R	60	30A60R56
300	C	56	LR	60	30A60LR56
300	C	140	L	5	30A05L14
300	C	140	R	5	30A05R14
300	C	140	LR	5	30A05LR14
300	C	140	L	10	30A10L14
300	C	140	R	10	30A10R14
300	C	140	LR	10	30A10LR14
300	C	140	L	15	30A15L14
300	C	140	R	15	30A15R14
300	C	140	LR	15	30A15LR14
300	C	140	L	20	30A20L14
300	C	140	R	20	30A20R14
300	C	140	LR	20	30A20LR14
300	C	140	L	25	30A25L14
300	C	140	R	25	30A25R14
300	C	140	LR	25	30A25LR14
300	C	140	L	30	30A30L14
300	C	140	R	30	30A30R14
300	C	140	LR	30	30A30LR14
300	C	140	L	40	30A40L14
300	C	140	R	40	30A40R14
300	C	140	LR	40	30A40LR14
300	C	140	L	50	30A50L14
300	C	140	R	50	30A50R14
300	C	140	LR	50	30A50LR14
300	C	140	L	60	30A60L14
300	C	140	R	60	30A60R14
300	C	140	LR	60	30A60LR14
300	C	180	L	5	30A05L18
300	C	180	R	5	30A05R18
300	C	180	LR	5	30A05LR18
300	C	180	L	10	30A10L18
300	C	180	R	10	30A10R18
300	C	180	LR	10	30A10LR18
300	C	180	L	15	30A15L18
300	C	180	R	15	30A15R18
300	C	180	LR	15	30A15LR18
300	C	180	L	20	30A20L18
300	C	180	R	20	30A20R18
300	C	180	LR	20	30A20LR18
300	C	180	L	25	30A25L18
300	C	180	R	25	30A25R18
300	C	180	LR	25	30A25LR18
300	C	180	L	30	30A30L18
300	C	180	R	30	30A30R18
300	C	180	LR	30	30A30LR18

Metric Reducers – Ratings & Dimensions
Ratio multiplier
Accessories
Competitor Interchange
Renewal parts
Part number index

Competitor interchange

Morse quill input

3.25" Center distance

Quill input (with base)

Add 32BASE for Tigear®-2

Morse nomenclature					Tigear equivalent
325	QT	56	L	30	32Q30L56
325	QT	56	R	30	32Q30R56
325	QT	56	LR	30	32Q30LR56
325	QT	56	L	40	32Q40L56
325	QT	56	R	40	32Q40R56
325	QT	56	LR	40	32Q40LR56
325	QT	56	L	50	32Q50L56
325	QT	56	R	50	32Q50R56
325	QT	56	LR	50	32Q50LR56
325	QT	56	L	60	32Q60L56
325	QT	56	R	60	32Q60R56
325	QT	56	LR	60	32Q60LR56
325	QT	140	L	5	32Q05L14
325	QT	140	R	5	32Q05R14
325	QT	140	LR	5	32Q05LR14
325	QT	140	L	10	32Q10L14
325	QT	140	R	10	32Q10R14
325	QT	140	LR	10	32Q10LR14
325	QT	140	L	15	32Q15L14
325	QT	140	R	15	32Q15R14
325	QT	140	LR	15	32Q15LR14
325	QT	140	L	20	32Q20L14
325	QT	140	R	20	32Q20R14
325	QT	140	LR	20	32Q20LR14
325	QT	140	L	25	32Q25L14
325	QT	140	R	25	32Q25R14
325	QT	140	LR	25	32Q25LR14
325	QT	140	L	30	32Q30L14
325	QT	140	R	30	32Q30R14
325	QT	140	LR	30	32Q30LR14
325	QT	140	L	40	32Q40L14
325	QT	140	R	40	32Q40R14
325	QT	140	LR	40	32Q40LR14
325	QT	140	L	50	32Q50L14
325	QT	140	R	50	32Q50R14
325	QT	140	LR	50	32Q50LR14
325	QT	140	L	60	32Q60L14
325	QT	140	R	60	32Q60R14
325	QT	140	LR	60	32Q60LR14
325	QT	180	L	5	32Q05L18
325	QT	180	R	5	32Q05R18
325	QT	180	LR	5	32Q05LR18
325	QT	180	L	10	32Q10L18
325	QT	180	R	10	32Q10R18
325	QT	180	LR	10	32Q10LR18
325	QT	180	L	15	32Q15L18
325	QT	180	R	15	32Q15R18
325	QT	180	LR	15	32Q15LR18
325	QT	180	L	20	32Q20L18
325	QT	180	R	20	32Q20R18
325	QT	180	LR	20	32Q20LR18
325	QT	180	L	25	32Q25L18
325	QT	180	R	25	32Q25R18
325	QT	180	LR	25	32Q25LR18
325	QT	180	L	30	32Q30L18
325	QT	180	R	30	32Q30R18
325	QT	180	LR	30	32Q30LR18

Quill input (without base)

Morse nomenclature					Tigear equivalent
325	Q	56	L	30	32Q30L56
325	Q	56	R	30	32Q30R56
325	Q	56	LR	30	32Q30LR56
325	Q	56	L	40	32Q40L56
325	Q	56	R	40	32Q40R56
325	Q	56	LR	40	32Q40LR56
325	Q	56	L	50	32Q50L56
325	Q	56	R	50	32Q50R56
325	Q	56	LR	50	32Q50LR56
325	Q	56	L	60	32Q60L56
325	Q	56	R	60	32Q60R56
325	Q	56	LR	60	32Q60LR56
325	Q	140	L	5	32Q05L14
325	Q	140	R	5	32Q05R14
325	Q	140	LR	5	32Q05LR14
325	Q	140	L	10	32Q10L14
325	Q	140	R	10	32Q10R14
325	Q	140	LR	10	32Q10LR14
325	Q	140	L	15	32Q15L14
325	Q	140	R	15	32Q15R14
325	Q	140	LR	15	32Q15LR14
325	Q	140	L	20	32Q20L14
325	Q	140	R	20	32Q20R14
325	Q	140	LR	20	32Q20LR14
325	Q	140	L	25	32Q25L14
325	Q	140	R	25	32Q25R14
325	Q	140	LR	25	32Q25LR14
325	Q	140	L	30	32Q30L14
325	Q	140	R	30	32Q30R14
325	Q	140	LR	30	32Q30LR14
325	Q	140	L	40	32Q40L14
325	Q	140	R	40	32Q40R14
325	Q	140	LR	40	32Q40LR14
325	Q	140	L	50	32Q50L14
325	Q	140	R	50	32Q50R14
325	Q	140	LR	50	32Q50LR14
325	Q	140	L	60	32Q60L14
325	Q	140	R	60	32Q60R14
325	Q	140	LR	60	32Q60LR14
325	Q	180	L	5	32Q05L18
325	Q	180	R	5	32Q05R18
325	Q	180	LR	5	32Q05LR18
325	Q	180	L	10	32Q10L18
325	Q	180	R	10	32Q10R18
325	Q	180	LR	10	32Q10LR18
325	Q	180	L	15	32Q15L18
325	Q	180	R	15	32Q15R18
325	Q	180	LR	15	32Q15LR18
325	Q	180	L	20	32Q20L18
325	Q	180	R	20	32Q20R18
325	Q	180	LR	20	32Q20LR18
325	Q	180	L	25	32Q25L18
325	Q	180	R	25	32Q25R18
325	Q	180	LR	25	32Q25LR18
325	Q	180	L	30	32Q30L18
325	Q	180	R	30	32Q30R18
325	Q	180	LR	30	32Q30LR18

Competitor interchange

Morse coupled input

3.25" Center distance

Coupled input (with base)

Add 32BASE for Tigar®-2

Morse nomenclature					Tigear equivalent
325	CT	56	L	30	32A30L56
325	CT	56	R	30	32A30R56
325	CT	56	LR	30	32A30LR56
325	CT	56	L	40	32A40L56
325	CT	56	R	40	32A40R56
325	CT	56	LR	40	32A40LR56
325	CT	56	L	50	32A50L56
325	CT	56	R	50	32A50R56
325	CT	56	LR	50	32A50LR56
325	CT	56	L	60	32A60L56
325	CT	56	R	60	32A60R56
325	CT	56	LR	60	32A60LR56
325	CT	140	L	5	32A05L14
325	CT	140	R	5	32A05R14
325	CT	140	LR	5	32A05LR14
325	CT	140	L	10	32A10L14
325	CT	140	R	10	32A10R14
325	CT	140	LR	10	32A10LR14
325	CT	140	L	15	32A15L14
325	CT	140	R	15	32A15R14
325	CT	140	LR	15	32A15LR14
325	CT	140	L	20	32A20L14
325	CT	140	R	20	32A20R14
325	CT	140	LR	20	32A20LR14
325	CT	140	L	25	32A25L14
325	CT	140	R	25	32A25R14
325	CT	140	LR	25	32A25LR14
325	CT	140	L	30	32A30L14
325	CT	140	R	30	32A30R14
325	CT	140	LR	30	32A30LR14
325	CT	140	L	40	32A40L14
325	CT	140	R	40	32A40R14
325	CT	140	LR	40	32A40LR14
325	CT	140	L	50	32A50L14
325	CT	140	R	50	32A50R14
325	CT	140	LR	50	32A50LR14
325	CT	140	L	60	32A60L14
325	CT	140	R	60	32A60R14
325	CT	140	LR	60	32A60LR14
325	CT	180	L	5	32A05L18
325	CT	180	R	5	32A05R18
325	CT	180	LR	5	32A05LR18
325	CT	180	L	10	32A10L18
325	CT	180	R	10	32A10R18
325	CT	180	LR	10	32A10LR18
325	CT	180	L	15	32A15L18
325	CT	180	R	15	32A15R18
325	CT	180	LR	15	32A15LR18
325	CT	180	L	20	32A20L18
325	CT	180	R	20	32A20R18
325	CT	180	LR	20	32A20LR18
325	CT	180	L	25	32A25L18
325	CT	180	R	25	32A25R18
325	CT	180	LR	25	32A25LR18
325	CT	180	L	30	32A30L18
325	CT	180	R	30	32A30R18
325	CT	180	LR	30	32A30LR18

Coupled input (without base)

Morse nomenclature					Tigear equivalent
325	C	56	L	30	32A30L56
325	C	56	R	30	32A30R56
325	C	56	LR	30	32A30LR56
325	C	56	L	40	32A40L56
325	C	56	R	40	32A40R56
325	C	56	LR	40	32A40LR56
325	C	56	L	50	32A50L56
325	C	56	R	50	32A50R56
325	C	56	LR	50	32A50LR56
325	C	56	L	60	32A60L56
325	C	56	R	60	32A60R56
325	C	56	LR	60	32A60LR56
325	C	140	L	5	32A05L14
325	C	140	R	5	32A05R14
325	C	140	LR	5	32A05LR14
325	C	140	L	10	32A10L14
325	C	140	R	10	32A10R14
325	C	140	LR	10	32A10LR14
325	C	140	L	15	32A15L14
325	C	140	R	15	32A15R14
325	C	140	LR	15	32A15LR14
325	C	140	L	20	32A20L14
325	C	140	R	20	32A20R14
325	C	140	LR	20	32A20LR14
325	C	140	L	25	32A25L14
325	C	140	R	25	32A25R14
325	C	140	LR	25	32A25LR14
325	C	140	L	30	32A30L14
325	C	140	R	30	32A30R14
325	C	140	LR	30	32A30LR14
325	C	140	L	40	32A40L14
325	C	140	R	40	32A40R14
325	C	140	LR	40	32A40LR14
325	C	140	L	50	32A50L14
325	C	140	R	50	32A50R14
325	C	140	LR	50	32A50LR14
325	C	140	L	60	32A60L14
325	C	140	R	60	32A60R14
325	C	140	LR	60	32A60LR14
325	C	180	L	5	32A05L18
325	C	180	R	5	32A05R18
325	C	180	LR	5	32A05LR18
325	C	180	L	10	32A10L18
325	C	180	R	10	32A10R18
325	C	180	LR	10	32A10LR18
325	C	180	L	15	32A15L18
325	C	180	R	15	32A15R18
325	C	180	LR	15	32A15LR18
325	C	180	L	20	32A20L18
325	C	180	R	20	32A20R18
325	C	180	LR	20	32A20LR18
325	C	180	L	25	32A25L18
325	C	180	R	25	32A25R18
325	C	180	LR	25	32A25LR18
325	C	180	L	30	32A30L18
325	C	180	R	30	32A30R18
325	C	180	LR	30	32A30LR18

Competitor interchange

Morse quill input

3.75" Center distance

Quill input (with base)

Add 38BASE for Tigear®-2

Morse nomenclature					Tigear equivalent
375	QT	56	L	30	38Q30L56
375	QT	56	R	30	38Q35R56
375	QT	56	LR	30	38Q35LR56
375	QT	56	L	40	38Q40L56
375	QT	56	R	40	38Q40R56
375	QT	56	LR	40	38Q40LR56
375	QT	56	L	50	38Q50L56
375	QT	56	R	50	38Q50R56
375	QT	56	LR	50	38Q50LR56
375	QT	56	L	60	38Q60L56
375	QT	56	R	60	38Q60R56
375	QT	56	LR	60	38Q60LR56
375	QT	140	L	5	38Q05L14
375	QT	140	R	5	38Q05R14
375	QT	140	LR	5	38Q05LR14
375	QT	140	L	10	38Q10L14
375	QT	140	R	10	38Q10R14
375	QT	140	LR	10	38Q10LR14
375	QT	140	L	15	38Q15L14
375	QT	140	R	15	38Q15R14
375	QT	140	LR	15	38Q15LR14
375	QT	140	L	20	38Q20L14
375	QT	140	R	20	38Q20R14
375	QT	140	LR	20	38Q20LR14
375	QT	140	L	25	38Q25L14
375	QT	140	R	25	38Q25R14
375	QT	140	LR	25	38Q25LR14
375	QT	140	L	30	38Q30L14
375	QT	140	R	30	38Q30R14
375	QT	140	LR	30	38Q30LR14
375	QT	140	L	40	38Q40L14
375	QT	140	R	40	38Q40R14
375	QT	140	LR	40	38Q40LR14
375	QT	140	L	50	38Q50L14
375	QT	140	R	50	38Q50R14
375	QT	140	LR	50	38Q50LR14
375	QT	140	L	60	38Q60L14
375	QT	140	R	60	38Q60R14
375	QT	140	LR	60	38Q60LR14
375	QT	180	L	5	38Q05L18
375	QT	180	R	5	38Q05R18
375	QT	180	LR	5	38Q05LR18
375	QT	180	L	10	38Q10L18
375	QT	180	R	10	38Q10R18
375	QT	180	LR	10	38Q10LR18
375	QT	180	L	15	38Q15L18
375	QT	180	R	15	38Q15R18
375	QT	180	LR	15	38Q15LR18
375	QT	180	L	20	38Q20L18
375	QT	180	R	20	38Q20R18
375	QT	180	LR	20	38Q20LR18
375	QT	180	L	25	38Q25L18
375	QT	180	R	25	38Q25R18
375	QT	180	LR	25	38Q25LR18
375	QT	180	L	30	38Q30L18
375	QT	180	R	30	38Q30R18
375	QT	180	LR	30	38Q30LR18
375	QT	180	L	40	38Q40L18
375	QT	180	R	40	38Q40R18
375	QT	180	LR	40	38Q40LR18
375	QT	210	L	5	38Q05L21
375	QT	210	R	5	38Q05R21
375	QT	210	LR	5	38Q05LR21
375	QT	210	L	10	38Q10L21
375	QT	210	R	10	38Q10R21
375	QT	210	LR	10	38Q10LR21

Quill input (without base)

Morse nomenclature					Tigear equivalent
375	Q	56	L	30	38Q30L56
375	Q	56	R	30	38Q35R56
375	Q	56	LR	30	38Q35LR56
375	Q	56	L	40	38Q40L56
375	Q	56	R	40	38Q40R56
375	Q	56	LR	40	38Q40LR56
375	Q	56	L	50	38Q50L56
375	Q	56	R	50	38Q50R56
375	Q	56	LR	50	38Q50LR56
375	Q	56	L	60	38Q60L56
375	Q	56	R	60	38Q60R56
375	Q	56	LR	60	38Q60LR56
375	Q	140	L	5	38Q05L14
375	Q	140	R	5	38Q05R14
375	Q	140	LR	5	38Q05LR14
375	Q	140	L	10	38Q10L14
375	Q	140	R	10	38Q10R14
375	Q	140	LR	10	38Q10LR14
375	Q	140	L	15	38Q15L14
375	Q	140	R	15	38Q15R14
375	Q	140	LR	15	38Q15LR14
375	Q	140	L	20	38Q20L14
375	Q	140	R	20	38Q20R14
375	Q	140	LR	20	38Q20LR14
375	Q	140	L	25	38Q25L14
375	Q	140	R	25	38Q25R14
375	Q	140	LR	25	38Q25LR14
375	Q	140	L	30	38Q30L14
375	Q	140	R	30	38Q30R14
375	Q	140	LR	30	38Q30LR14
375	Q	140	L	40	38Q40L14
375	Q	140	R	40	38Q40R14
375	Q	140	LR	40	38Q40LR14
375	Q	140	L	50	38Q50L14
375	Q	140	R	50	38Q50R14
375	Q	140	LR	50	38Q50LR14
375	Q	140	L	60	38Q60L14
375	Q	140	R	60	38Q60R14
375	Q	140	LR	60	38Q60LR14
375	Q	180	L	5	38Q05L18
375	Q	180	R	5	38Q05R18
375	Q	180	LR	5	38Q05LR18
375	Q	180	L	10	38Q10L18
375	Q	180	R	10	38Q10R18
375	Q	180	LR	10	38Q10LR18
375	Q	180	L	15	38Q15L18
375	Q	180	R	15	38Q15R18
375	Q	180	LR	15	38Q15LR18
375	Q	180	L	20	38Q20L18
375	Q	180	R	20	38Q20R18
375	Q	180	LR	20	38Q20LR18
375	Q	180	L	25	38Q25L18
375	Q	180	R	25	38Q25R18
375	Q	180	LR	25	38Q25LR18
375	Q	180	L	30	38Q30L18
375	Q	180	R	30	38Q30R18
375	Q	180	LR	30	38Q30LR18
375	Q	180	L	40	38Q40L18
375	Q	180	R	40	38Q40R18
375	Q	180	LR	40	38Q40LR18
375	Q	210	L	5	38Q05L21
375	Q	210	R	5	38Q05R21
375	Q	210	LR	5	38Q05LR21
375	Q	210	L	10	38Q10L21
375	Q	210	R	10	38Q10R21
375	Q	210	LR	10	38Q10LR21

Metric Reducers – Ratings & Dimensions

Ratio multiplier

Accessories

Competitor interchange

Renewal parts

Part number index

Competitor interchange

Morse coupled input

3.75" Center distance

Coupled input (with base)

Add 38BASE for Tigar®-2

Morse nomenclature	Tigear equivalent
375 CT 56 L 30	38A30L56
375 CT 56 R 30	38A30R56
375 CT 56 LR 30	38A30LR56
375 CT 56 L 40	38A40L56
375 CT 56 R 40	38A40R56
375 CT 56 LR 40	38A40LR56
375 CT 56 L 50	38A50L56
375 CT 56 R 50	38A50R56
375 CT 56 LR 50	38A50LR56
375 CT 56 L 60	38A60L56
375 CT 56 R 60	38A60R56
375 CT 56 LR 60	38A60LR56
375 CT 140 L 5	38A05L14
375 CT 140 R 5	38A05R14
375 CT 140 LR 5	38A05LR14
375 CT 140 L 10	38A10L14
375 CT 140 R 10	38A10R14
375 CT 140 LR 10	38A10LR14
375 CT 140 L 15	38A15L14
375 CT 140 R 15	38A15R14
375 CT 140 LR 15	38A15LR14
375 CT 140 L 20	38A20L14
375 CT 140 R 20	38A20R14
375 CT 140 LR 20	38A20LR14
375 CT 140 L 25	38A25L14
375 CT 140 R 25	38A25R14
375 CT 140 LR 25	38A25LR14
375 CT 140 L 30	38A30L14
375 CT 140 R 30	38A30R14
375 CT 140 LR 30	38A30LR14
375 CT 140 L 40	38A40L14
375 CT 140 R 40	38A40R14
375 CT 140 LR 40	38A40LR14
375 CT 140 L 50	38A50L14
375 CT 140 R 50	38A50R14
375 CT 140 LR 50	38A50LR14
375 CT 140 L 60	38A60L14
375 CT 140 R 60	38A60R14
375 CT 140 LR 60	38A60LR14
375 CT 180 L 5	38A05L18
375 CT 180 R 5	38A05R18
375 CT 180 LR 5	38A05LR18
375 CT 180 L 10	38A10L18
375 CT 180 R 10	38A10R18
375 CT 180 LR 10	38A10LR18
375 CT 180 L 15	38A15L18
375 CT 180 R 15	38A15R18
375 CT 180 LR 15	38A15LR18
375 CT 180 L 20	38A20L18
375 CT 180 R 20	38A20R18
375 CT 180 LR 20	38A20LR18
375 CT 180 L 25	38A25L18
375 CT 180 R 25	38A25R18
375 CT 180 LR 25	38A25LR18
375 CT 180 L 30	38A30L18
375 CT 180 R 30	38A30R18
375 CT 180 LR 30	38A30LR18
375 CT 180 L 40	38A40L18
375 CT 180 R 40	38A40R18
375 CT 180 LR 40	38A40LR18
375 CT 210 L 5	38A05L21
375 CT 210 R 5	38A05R21
375 CT 210 LR 5	38A05LR21
375 CT 210 L 10	38A10L21
375 CT 210 R 10	38A10R21
375 CT 210 LR 10	38A10LR21

Coupled input (without base)

Morse nomenclature	Tigear equivalent
375 C 56 L 30	38A30L56
375 C 56 R 30	38A30R56
375 C 56 LR 30	38A30LR56
375 C 56 L 40	38A40L56
375 C 56 R 40	38A40R56
375 C 56 LR 40	38A40LR56
375 C 56 L 50	38A50L56
375 C 56 R 50	38A50R56
375 C 56 LR 50	38A50LR56
375 C 56 L 60	38A60L56
375 C 56 R 60	38A60R56
375 C 56 LR 60	38A60LR56
375 C 140 L 5	38A05L14
375 C 140 R 5	38A05R14
375 C 140 LR 5	38A05LR14
375 C 140 L 10	38A10L14
375 C 140 R 10	38A10R14
375 C 140 LR 10	38A10LR14
375 C 140 L 15	38A15L14
375 C 140 R 15	38A15R14
375 C 140 LR 15	38A15LR14
375 C 140 L 20	38A20L14
375 C 140 R 20	38A20R14
375 C 140 LR 20	38A20LR14
375 C 140 L 25	38A25L14
375 C 140 R 25	38A25R14
375 C 140 LR 25	38A25LR14
375 C 140 L 30	38A30L14
375 C 140 R 30	38A30R14
375 C 140 LR 30	38A30LR14
375 C 140 L 40	38A40L14
375 C 140 R 40	38A40R14
375 C 140 LR 40	38A40LR14
375 C 140 L 50	38A50L14
375 C 140 R 50	38A50R14
375 C 140 LR 50	38A50LR14
375 C 140 L 60	38A60L14
375 C 140 R 60	38A60R14
375 C 140 LR 60	38A60LR14
375 C 180 L 5	38A05L18
375 C 180 R 5	38A05R18
375 C 180 LR 5	38A05LR18
375 C 180 L 10	38A10L18
375 C 180 R 10	38A10R18
375 C 180 LR 10	38A10LR18
375 C 180 L 15	38A15L18
375 C 180 R 15	38A15R18
375 C 180 LR 15	38A15LR18
375 C 180 L 20	38A20L18
375 C 180 R 20	38A20R18
375 C 180 LR 20	38A20LR18
375 C 180 L 25	38A25L18
375 C 180 R 25	38A25R18
375 C 180 LR 25	38A25LR18
375 C 180 L 30	38A30L18
375 C 180 R 30	38A30R18
375 C 180 LR 30	38A30LR18
375 C 180 L 40	38A40L18
375 C 180 R 40	38A40R18
375 C 180 LR 40	38A40LR18
375 C 210 L 5	38A05L21
375 C 210 R 5	38A05R21
375 C 210 LR 5	38A05LR21
375 C 210 L 10	38A10L21
375 C 210 R 10	38A10R21
375 C 210 LR 10	38A10LR21

Competitor interchange

Morse quill input

4.50" Center distance

Quill input (with base)

Add 40BASE for Tigear®-2

Morse nomenclature					Tigear equivalent
450	QT	140	L	40	40Q40L14
450	QT	140	R	40	40Q40R14
450	QT	140	LR	40	40Q40LR14
450	QT	140	L	50	40Q50L14
450	QT	140	R	50	40Q50R14
450	QT	140	LR	50	40Q50LR14
450	QT	140	L	60	40Q60L14
450	QT	140	R	60	40Q60R14
450	QT	140	LR	60	40Q60LR14
450	QT	180	L	15	40Q15L18
450	QT	180	R	15	40Q15R18
450	QT	180	LR	15	40Q15LR18
450	QT	180	L	20	40Q20L18
450	QT	180	R	20	40Q20R18
450	QT	180	LR	20	40Q20LR18
450	QT	180	L	25	40Q25L18
450	QT	180	R	25	40Q25R18
450	QT	180	LR	25	40Q25LR18
450	QT	180	L	30	40Q30L18
450	QT	180	R	30	40Q30R18
450	QT	180	LR	30	40Q30LR18
450	QT	180	L	40	40Q40L18
450	QT	180	R	40	40Q40R18
450	QT	180	LR	40	40Q40LR18
450	QT	180	L	50	40Q50L18
450	QT	180	R	50	40Q50R18
450	QT	180	LR	50	40Q50LR18
450	QT	180	L	60	40Q60L18
450	QT	180	R	60	40Q60R18
450	QT	180	LR	60	40Q60LR18
450	QT	210	L	5	40Q05L21
450	QT	210	R	5	40Q05R21
450	QT	210	LR	5	40Q05LR21
450	QT	210	L	10	40Q10L21
450	QT	210	R	10	40Q10R21
450	QT	210	LR	10	40Q10LR21
450	QT	210	L	15	40Q15L21
450	QT	210	R	15	40Q15R21
450	QT	210	LR	15	40Q15LR21
450	QT	210	L	20	40Q20L21
450	QT	210	R	20	40Q20R21
450	QT	210	LR	20	40Q20LR21
450	QT	250	L	5	40Q05L25
450	QT	250	R	5	40Q05R25
450	QT	250	LR	5	40Q05LR25

Quill input (without base)

Morse nomenclature					Tigear equivalent
450	Q	140	L	40	40Q40L14
450	Q	140	R	40	40Q40R14
450	Q	140	LR	40	40Q40LR14
450	Q	140	L	50	40Q50L14
450	Q	140	R	50	40Q50R14
450	Q	140	LR	50	40Q50LR14
450	Q	140	L	60	40Q60L14
450	Q	140	R	60	40Q60R14
450	Q	140	LR	60	40Q60LR14
450	Q	180	L	15	40Q15L18
450	Q	180	R	15	40Q15R18
450	Q	180	LR	15	40Q15LR18
450	Q	180	L	20	40Q20L18
450	Q	180	R	20	40Q20R18
450	Q	180	LR	20	40Q20LR18
450	Q	180	L	25	40Q25L18
450	Q	180	R	25	40Q25R18
450	Q	180	LR	25	40Q25LR18
450	Q	180	L	30	40Q30L18
450	Q	180	R	30	40Q30R18
450	Q	180	LR	30	40Q30LR18
450	Q	180	L	40	40Q40L18
450	Q	180	R	40	40Q40R18
450	Q	180	LR	40	40Q40LR18
450	Q	180	L	50	40Q50L18
450	Q	180	R	50	40Q50R18
450	Q	180	LR	50	40Q50LR18
450	Q	180	L	60	40Q60L18
450	Q	180	R	60	40Q60R18
450	Q	180	LR	60	40Q60LR18
450	Q	210	L	5	40Q05L21
450	Q	210	R	5	40Q05R21
450	Q	210	LR	5	40Q05LR21
450	Q	210	L	10	40Q10L21
450	Q	210	R	10	40Q10R21
450	Q	210	LR	10	40Q10LR21
450	Q	210	L	15	40Q15L21
450	Q	210	R	15	40Q15R21
450	Q	210	LR	15	40Q15LR21
450	Q	210	L	20	40Q20L21
450	Q	210	R	20	40Q20R21
450	Q	210	LR	20	40Q20LR21
450	Q	250	L	5	40Q05L25
450	Q	250	R	5	40Q05R25
450	Q	250	LR	5	40Q05LR25

Metric Reducers – Ratings & Dimensions

Ratio multiplier

Accessories

Competitor interchange

Renewal parts

Part number index

Competitor interchange

Morse coupled input

4.50" Center distance

Coupled input (with base)

Add 40BASE for Tigear®-2

Morse nomenclature					Tigear equivalent
450	CT	140	L	40	40A40L14
450	CT	140	R	40	40A40R14
450	CT	140	LR	40	40A40LR14
450	CT	140	L	50	40A50L14
450	CT	140	R	50	40A50R14
450	CT	140	LR	50	40A50LR14
450	CT	140	L	60	40A60L14
450	CT	140	R	60	40A60R14
450	CT	140	LR	60	40A60LR14
450	CT	180	L	15	40A15L18
450	CT	180	R	15	40A15R18
450	CT	180	LR	15	40A15LR18
450	CT	180	L	20	40A20L18
450	CT	180	R	20	40A20R18
450	CT	180	LR	20	40A20LR18
450	CT	180	L	25	40A25L18
450	CT	180	R	25	40A25R18
450	CT	180	LR	25	40A25LR18
450	CT	180	L	30	40A30L18
450	CT	180	R	30	40A30R18
450	CT	180	LR	30	40A30LR18
450	CT	180	L	40	40A40L18
450	CT	180	R	40	40A40R18
450	CT	180	LR	40	40A40LR18
450	CT	180	L	50	40A50L18
450	CT	180	R	50	40A50R18
450	CT	180	LR	50	40A50LR18
450	CT	180	L	60	40A60L18
450	CT	180	R	60	40A60R18
450	CT	180	LR	60	40A60LR18
450	CT	210	L	5	40A05L21
450	CT	210	R	5	40A05R21
450	CT	210	LR	5	40A05LR21
450	CT	210	L	10	40A10L21
450	CT	210	R	10	40A10R21
450	CT	210	LR	10	40A10LR21
450	CT	210	L	15	40A15L21
450	CT	210	R	15	40A15R21
450	CT	210	LR	15	40A15LR21
450	CT	210	L	20	40A20L21
450	CT	210	R	20	40A20R21
450	CT	210	LR	20	40A20LR21
450	CT	250	L	5	40A05L25
450	CT	250	R	5	40A05R25
450	CT	250	LR	5	40A05LR25

Coupled input (without base)

Morse nomenclature					Tigear equivalent
450	C	140	L	40	40A40L14
450	C	140	R	40	40A40R14
450	C	140	LR	40	40A40LR14
450	C	140	L	50	40A50L14
450	C	140	R	50	40A50R14
450	C	140	LR	50	40A50LR14
450	C	140	L	60	40A60L14
450	C	140	R	60	40A60R14
450	C	140	LR	60	40A60LR14
450	C	180	L	15	40A15L18
450	C	180	R	15	40A15R18
450	C	180	LR	15	40A15LR18
450	C	180	L	20	40A20L18
450	C	180	R	20	40A20R18
450	C	180	LR	20	40A20LR18
450	C	180	L	25	40A25L18
450	C	180	R	25	40A25R18
450	C	180	LR	25	40A25LR18
450	C	180	L	30	40A30L18
450	C	180	R	30	40A30R18
450	C	180	LR	30	40A30LR18
450	C	180	L	40	40A40L18
450	C	180	R	40	40A40R18
450	C	180	LR	40	40A40LR18
450	C	180	L	50	40A50L18
450	C	180	R	50	40A50R18
450	C	180	LR	50	40A50LR18
450	C	180	L	60	40A60L18
450	C	180	R	60	40A60R18
450	C	180	LR	60	40A60LR18
450	C	210	L	5	40A05L21
450	C	210	R	5	40A05R21
450	C	210	LR	5	40A05LR21
450	C	210	L	10	40A10L21
450	C	210	R	10	40A10R21
450	C	210	LR	10	40A10LR21
450	C	210	L	15	40A15L21
450	C	210	R	15	40A15R21
450	C	210	LR	15	40A15LR21
450	C	210	L	20	40A20L21
450	C	210	R	20	40A20R21
450	C	210	LR	20	40A20LR21
450	C	250	L	5	40A05L25
450	C	250	R	5	40A05R25
450	C	250	LR	5	40A05LR25

Renewal parts

Tigear®-2 Quick pick service kits

Select kit(s) for the level of service to be performed or select MAXSERVICE Kit if complete disassembly of reducer is anticipated. MAXSERVICE Kit will include all the items listed per size in the tables below.



Adaptable Input-Hollow Output (AH)



Quill Input-Solid Shaft Output (QS)

Kits contain only genuine Dodge renewal parts for optimum performance.

Lube is sufficient to fill one reducer.

To protect against downtime a service kit safety stock is recommended.

Easy to use chart – reducer size + input + output, all from reducer nameplate are all that is needed.

Quill solid output (QS)

Reducer size Input/Output	MAXSERVICE Kit Part number	Bearing kit	Seal kit	Shim kit	MAXSERVICE kit consists of all components listed		
					Lube	Input	Bore plug Output
13-QS	13QSSERVICEKIT	13QSBRGKIT	335350	641164246E	334863	335603	335605
15-QS	15QSSERVICEKIT	15QSBRGKIT	335350	641164246E	334863	335603	335605
17/176-QS	17QSSERVICEKIT	17QSBRGKIT	335351	41162333A	334863	335600	335606
20/202/21B-QS	20QSSERVICEKIT	20QSBRGKIT	335352	641162333B	334863	335600	335608
23-QS	23QSSERVICEKIT	23QSBRGKIT	335353	641162333B	334863	-	335608
26-QS	26QSSERVICEKIT	26QSBRGKIT	236293	641162333B	334863	335609	335608
30/32-QS	30QSSERVICEKIT	30QSBRGKIT	335355	335330	334862	335602	335607
35/38-QS	35QSSERVICEKIT	35QSBRGKIT	236194	641162333C	334862	335604	335614
40-QS	40QSSERVICEKIT	40QSBRGKIT	236195	335331	334862	335610	335611
47-QS	47QSSERVICEKIT	47QSBRGKIT	236196	335336	334862 (1)	335613	335612

(1) Requires 2 gallons of synthetic gear lube. Included in the Max Service Kit.

(2) Requires 3 gallons of synthetic gear lube. Included in the Max Service Kit.

(3) Rebuild kit for 35-40-47 includes seals for both 56C/140TC and 180/210/250TC input.

Quill hollow output (QH)

Reducer size Input/Output	MAXSERVICE Kit Part number	Bearing kit	Seal kit	Shim kit	MAXSERVICE kit consists of all components listed		
					Lube	Input	Bore plug Output
13-QH	13QHSERVICEKIT	13QHBRGKIT	335362	641162333B	334863	335603	
15-QH	15QHSERVICEKIT	15QHBRGKIT	335362	641162333B	334863	335603	
17/176-QH	17QHSERVICEKIT	17QHBRGKIT	335363	335330	334863	335600	
20/202-QH	20QHSERVICEKIT	20QHBRGKIT	335364	641162333C	334863	335600	
23-QH	23QHSERVICEKIT	23QHBRGKIT	335365	336331	334863	-	
26-QH	26QHSERVICEKIT	26QHBRGKIT	335366	335332	334863	335609	
30/32-QH	30QHSERVICEKIT	30QHBRGKIT	335367	335333	334862	335602	
35/38-QH	35QHSERVICEKIT	35QHBRGKIT	236187	335333	334862	335604	
40-QH	40QHSERVICEKIT	40QHBRGKIT	236188	335334	334862	335610	
47-QH	47QHSERVICEKIT	47QHBRGKIT	236189	335335	334862 (1)	335613	

(1) Requires 2 gallons of synthetic gear lube. Included in the Max Service Kit.

(2) Requires 3 gallons of synthetic gear lube. Included in the Max Service Kit.

(3) Rebuild kit for 35-40-47 includes seals for both 56C/140TC and 180/210/250TC input.

Renewal parts

Tigear®-2 Quick pick service kits

Select kit(s) for the level of service to be performed or select MAXSERVICE Kit if complete disassembly of reducer is anticipated. MAXSERVICE Kit will include all the items listed per size in the tables below.



Adaptable Input-Hollow Output (AH)



Quill Input-Solid Shaft Output (QS)

Kits contain only genuine Dodge renewal parts for optimum performance.

Lube is sufficient to fill one reducer.

To protect against downtime a service kit safety stock is recommended.

Easy to use chart – reducer size + input + output, all from reducer nameplate are all that is needed.

Adaptable Solid (AS) & Separate Solid (SS) Output

Reducer size Input/Output	MAXSERVICE Kit Part number	Bearing kit	Seal kit	Shim kit	MAXSERVICE kit consists of all components listed		
					Lube	Input	Bore plug Output
13-AS/SS	13ASSERVICEKIT	13ASBRGKIT	335374	641164246E	334863	335603	335605
15-AS/SS	15ASSERVICEKIT	15ASBRGKIT	335374	641164246E	334863	335603	335605
17/176-AS/SS	17ASSERVICEKIT	17ASBRGKIT	335375	41162333A	334863	335600	335606
20/202-AS/SS	20ASSERVICEKIT	20ASBRGKIT	335376	641162333B	334863	335600	335608
23-AS/SS	23ASSERVICEKIT	23ASBRGKIT	335377	641162333B	334863	–	335608
26-AS/SS	26ASSERVICEKIT	26ASBRGKIT	335378	641162333B	334863	335609	335608
30/32-AS/SS	30ASSERVICEKIT	30ASBRGKIT	335379	335330	334862	335602	335607
35/38-AS/SS	35ASSERVICEKIT	35ASBRGKIT	335380	641162333C	334862	335604	335614
40-AS/SS	40ASSERVICEKIT	40ASBRGKIT	335381	335331	334862 (1)	335610	335611
47-AS/SS	47ASSERVICEKIT	47ASBRGKIT	335382	335336	334862 (2)	335613	335612

(1) Requires 2 gallons of synthetic gear lube. Included in the Maz Service Kit.

(2) Requires 3 gallons of synthetic gear lube. Included in the Maz Service Kit.

(3) Rebuild kit for 35-40-47 includes seals for both 56C/140TC and 180/210/250TC input.

Adaptable Hollow (AH) & Separate Hollow (SH) Output

Reducer size Input/Output	MAXSERVICE Kit Part number	Bearing kit	Seal kit	Shim kit	MAXSERVICE kit consists of all components listed		
					Lube	Input	Bore plug Output
13-AH/SH	13AHSERVICEKIT	13AHBRGKIT	335392	641162333B	334863	335603	
15-AH/SH	15AHSERVICEKIT	15AHBRGKIT	335392	641162333B	334863	335603	
17/176-AH/SH	17AHSERVICEKIT	17AHBRGKIT	335393	335330	334863	335600	
20/202-AH/SH	20AHSERVICEKIT	20AHBRGKIT	335394	641162333C	334863	335600	
23-AH/SH	23AHSERVICEKIT	23AHBRGKIT	335395	336331	334863	–	
26-AH/SH	26AHSERVICEKIT	26AHBRGKIT	335396	335332	334863	335609	
30/32-AH/SH	30AHSERVICEKIT	30AHBRGKIT	335397	335333	334862	335602	
35/38-AH/SH	35AHSERVICEKIT	35AHBRGKIT	335398	335333	334862	335604	
40-AH/SH	40AHSERVICEKIT	40AHBRGKIT	335399	335334	334862 (1)	335610	
47-AH/SH	47AHSERVICEKIT	47AHBRGKIT	335400	335335	334862 (2)	335613	

(1) Requires 2 gallons of synthetic gear lube. Included in the Maz Service Kit.

(2) Requires 3 gallons of synthetic gear lube. Included in the Maz Service Kit.

(3) Rebuild kit for 35-40-47 includes seals for both 56C/140TC and 180/210/250TC input.

Renewal parts

Tigear®-2 Seal kits – Quill

Standard duty seals listed - For E-Z Kleen® and Food Safe seals see page 233.

Double solid shaft reducers require 2 output seals. Order 1 additional seal from table for those applications.

Quill solid shaft (QS)

Size	Motor frame	Seal kit Part number	Qty.	Input seal	Output seal	O-ring bearing housing	O-ring motor adapter	Consists of	
								Motor adapter gasket	
								56-140	180-210-250
13/15-QS	All	335350	1	334274	334271	336366	334301	602028-43-F	N/A
17/176-QS	All	335351	1	334274	334272	335508	334301	602028-43-F	N/A
20/202/21B-QS	All	335352	1	334274	334273	276355	334301	602028-43-F	N/A
23-QS	56-140-180	335353	1	334276	334273	334312	276355	602028-43-F	276335
26-QS	56-140-180	236293	1	334276	334273	454787	276355	602028-43-F	276335
30/32-QS	56-140-180	335355	1	334276	334274	276357	276355	602028-43-F	276335
35/38-QS	56-140	335356	1	334276	334275	336367	334302	602028-43-F	N/A
	180-210	335357	1	334279	334275	336367	334302	N/A	276335
40-QS	140	335358	1	334276	334277	334313	334302	602028-43-F	N/A
	180-210-250	335359	1	334279	334277	334313	334302	N/A	276335
47-QS	140	335360	1	334276	334278	334315	334302	602028-43-F	N/A
	180-210-250	335361	1	334279	334278	334315	334302	N/A	276335

Quill hollow shaft (QH)

Size	Motor frame	Seal kit Part number	Qty.	Output seal	Qty.	Input seal	O-ring bearing housing	O-ring motor adapter	Consists of	
									Motor adapter gasket	
									56-140	180-210-250
13/15-QH	All	335362	2	334273	1	334274	336366	334301	602028-43-F	N/A
17/176-QH	All	335363	2	334274	1	334274	335508	334301	602028-43-F	N/A
20/202-QH	All	335364	2	334276	1	334274	276355	334301	602028-43-F	N/A
23-QH	56-140-180	335365	2	334277	1	334276	334312	276355	602028-43-F	276335
26-QH	56-140-180	335366	2	334278	1	334276	454787	276355	602028-43-F	276335
30/32-QH	56-140-180	335367	2	334279	1	334276	276357	276355	602028-43-F	276335
35/38-QH	56-140	236294	2	334279	1	334276	336367	334302	602028-43-F	N/A
	180-210	335369	2	334279	1	334279	336367	334302	N/A	276335
40-QH	140	335370	2	334280	1	334276	334313	334302	602028-43-F	N/A
	180-210-250	335371	2	334280	1	334279	334313	334302	N/A	276335
47-QH	140	335372	2	904286	1	334276	334315	334302	602028-43-F	N/A
	180-210-250	335373	2	904286	1	334279	334315	334302	N/A	276335

Renewal parts

Tigear®-2 Seal kits – Adaptable

Standard duty seals listed - For E-Z Kleen and Food Safe seals see page 234.

Double solid shaft reducers require 2 output seals. Order 1 additional seal from table for those applications.

Adaptable (AS) and Separate (SS) solid shaft

Size	Motor frame	Seal kit Part number	Qty.	Input seal	Output seal	O-ring bearing housing	O-ring motor adapter	O-ring bearing carrier	Consists of	
									Motor adapter gasket	
									56-140	180-210-250
13/15-AS/SS	All	335374	1	334270	334271	336366	334304	334300	602028-43-F	N/A
17-AS/SS	All	335375	1	334271	334272	335508	334304	334300	602028-43-F	N/A
20/202-AS/SS	All	335376	1	334271	334273	276355	334304	334300	602028-43-F	N/A
23-AS/SS	56-140-180	335377	1	334272	334273	334312	276355	334303	602028-43-F	276335
26-AS/SS	56-140-180	236295	1	334272	334273	454787	276355	334303	602028-43-F	276335
30/32-AS/SS	56-140-180	335379	1	334272	334274	276357	276355	334303	602028-43-F	276335
35/38-AS/SS	56-140-180-210	335380	1	334272	334275	336367	276355	334314	602028-43-F	276335
40-AS/SS	140-180-210-250	335381	1	334274	334277	334313	276355	334314	602028-43-F	276335
47-AS/SS	140-180-210-250	335382	1	334274	334278	334315	276355	334314	602028-43-F	276335

Adaptable (AH) and Separate (SH) hollow shaft

Size	Motor frame	Seal kit Part number	Qty.	Output seal	Qty	Input seal	O-ring bearing housing	O-ring motor adapter	O-ring bearing carrier	Consists of	
										Motor adapter gasket	
										56-140	180-210-250
13/15-AH/SH	All	335392	2	334273	1	334270	336366	334304	334300	602028-43-F	N/A
17-AH/SH	All	335393	2	334274	1	334271	335508	334304	334300	602028-43-F	N/A
20/202-AH/SH	All	335394	2	334276	1	334271	276355	334304	334300	602028-43-F	N/A
23-AH/SH	56-140-180	335395	2	334277	1	334272	334312	276355	334303	602028-43-F	276335
26-AH/SH	56-140-180	335396	2	334278	1	334272	454787	276355	334303	602028-43-F	276335
30/32-AH/SH	56-140-180	335397	2	334279	1	334272	276357	276355	334303	602028-43-F	276335
35/38-AH/SH	56-140-180-210	236296	2	334279	1	334272	336367	276355	334314	602028-43-F	276335
40-AH/SH	140-180-210-250	335399	2	334280	1	334274	334313	276355	334314	602028-43-F	276335
47-AH/SH	140-180-210-250	335400	2	904286	1	334274	334315	276355	334314	602028-43-F	276335

Renewal parts

Tigear®-2 Seal kits – Harsh duty – Quill

E-Z Kleen® and Food Safe Applications

Double solid shaft reducers require 2 output seals. Order 1 additional seal from table for those applications.

Quill solid shaft (QS)

Size	Motor frame	Seal kit Part number	Qty.	Input seal	Output seal	O-ring bearing housing	O-ring motor adapter EZK*	O-ring motor adapter FS*	Motor adapter internal gasket*	Consists of	
										Motor adapter exterior gasket	
										56-140	180-210
13/15-QS	All	EZ335350	1	334274	334351	336366	334301	N/A	N/A	602028-43-F	N/A
17/176-QS	All	EZ335351	1	334274	334352	335508	334301	334112	336254	602028-43-F	N/A
20/202/21B-QS	All	EZ335352	1	334274	334353	276355	334301	334112	N/A	602028-43-F	N/A
23-QS	56-140-180	EZ335353	1	334276	334353	334312	276355	334111	336255	602028-43-F	276335
26-QS	56-140-180	EZ336293	1	334276	334353	454787	276355	334111	N/A	602028-43-F	276335
30/32-QS	56-140-180	EZ335355	1	334276	334354	276357	276355	334111	336255	602028-43-F	276335
35/38-QS	56-140	EZ335356	1	334276	334355	336367	334302	N/A	N/A	602028-43-F	N/A
	180-210	EZ335357	1	334279	334355	336367	334302	N/A	N/A	N/A	276335

* E-Z Kleen units use O-rings and Food Safe units use gaskets.

Quill hollow shaft (QH)

Size	Motor frame	Seal kit Part number	Qty.	Output seal	Qty.	Input seal	O-ring bearing housing	O-ring motor adapter*	O-ring motor adapter*	Motor adapter internal gasket*	Consists of	
											Motor adapter exterior gasket	
											56-140	180-210
13/15-QH	All	EZ335362	2	334353	1	334274	336366	334301	N/A	602028-43-F	N/A	
17/176-QH	All	EZ335363	2	334354	1	334274	335508	334301	336254	602028-43-F	N/A	
20/202-QH	All	EZ335364	2	334356	1	334274	276355	334301	N/A	602028-43-F	N/A	
23-QH	56-140-180	EZ335365	2	334357	1	334276	334312	276355	336255	602028-43-F	276335	
26-QH	56-140-180	EZ335366	2	334358	1	334276	454787	276355	N/A	602028-43-F	276335	
30/32-QH	56-140-180	EZ335367	2	334359	1	334276	276357	276355	336255	602028-43-F	276335	
35/38-QH	56-140	EZ236294	2	334359	1	334276	336367	334302	N/A	602028-43-F	N/A	
	180-210	EZ335369	2	334359	1	334279	336367	334302	N/A	N/A	276335	

* E-Z Kleen units use O-rings and Food Safe units use gaskets.

Renewal parts

Tigear®-2 Seal kits – Harsh duty – Adaptable

E-Z Kleen® and Food Safe Applications

Double solid shaft reducers require 2 output seals. Order 1 additional seal from table for those applications.

Adaptable solid shaft (AS)

Size	Motor frame	Seal kit Part number	Qty.	Input seal	Output seal	O-ring bearing housing	O-ring motor adapter*	O-ring bearing carrier*	Motor adapter internal gasket*	Bearing carrier gasket*	Consists of	
											Motor adapter exterior gasket	
											56-140	180-210
13/15-AS	All	EZ335374	1	334270	334351	336366	334304	334300	N/A	N/A	602028-43-F	N/A
17-AS	All	EZ335375	1	334271	334352	335508	334304	334300	336254	336254	602028-43-F	N/A
20-AS	All	EZ335376	1	334271	334353	276355	334304	334300	N/A	N/A	602028-43-F	N/A
23-AS	56-140-180	EZ335377	1	334272	334353	334312	276355	334303	336255	336255	602028-43-F	276335
26-AS	56-140-180	EZ236295	1	334272	334353	454787	276355	334303	N/A	N/A	602028-43-F	276335
30/32-AS	56-140-180	EZ335379	1	334272	334354	276357	276355	334303	336255	336255	602028-43-F	276335
35/38-AS	56-140-180-210	EZ335380	1	334272	334355	336367	276355	334314	N/A	N/A	602028-43-F	276335

* E-Z Kleen units use O-rings and Food Safe units use gaskets.

Adaptable hollow shaft (AH)

Size	Motor frame	Seal kit Part number	Qty.	Output seal	Qty.	Input seal	O-ring bearing housing	O-ring motor adapter*	O-ring bearing carrier*	Motor adapter internal gasket*	Big carrier gasket*	Consists of	
												Motor adapter exterior gasket	
												56-140	180-210
13/15-AH	All	EZ335392	2	334353	1	334270	336366	334304	334300	N/A	N/A	602028-43-F	N/A
17-AH	All	EZ335393	2	334354	1	334271	335508	334304	334300	336254	336254	602028-43-F	N/A
20-AH	All	EZ335394	2	334356	1	334271	276355	334304	334300	N/A	N/A	602028-43-F	N/A
23-AH	56-140-180	EZ335395	2	334357	1	334272	334312	276355	334303	336255	336255	602028-43-F	276335
26-AH	56-140-180	EZ335396	2	334358	1	334272	454787	276355	334303	N/A	N/A	602028-43-F	276335
30/32-AH	56-140-180	EZ335397	2	334359	1	334272	276357	276355	334303	336255	336255	602028-43-F	276335
35/38-AH	56-140-180-210	EZ236296	2	334359	1	334272	336367	276355	334314	N/A	N/A	602028-43-F	276335

* E-Z Kleen units use O-rings and Food Safe units use gaskets.

Renewal parts

Tigear®-2 Bearing kits – Sizes 13-47

Size	Bearing kit part number	Bearing input side	Bearing opposite input	Bearing output (qty 2)
Adaptable and separate input – Hollow output – AH/SH				
13-AH/SH	13AHBRGKIT	334211SPC	334218	641162601A
15-AH/SH	15AHBRGKIT	334211SPC	334218	641162601A
17/176-AH/SH	17AHBRGKIT	334212SPC	334219	335338
20/202-AH/SH	20AHBRGKIT	334212SPC	334219	335339
23-AH/SH	23AHBRGKIT	334213SPC	334220	335340
26-AH/SH	26AHBRGKIT	334213SPC	334221	41162601BJ
30/32-AH/SH	30AHBRGKIT	334214SPC	334222	335341
35/38-AH/SH	35AHBRGKIT	334215SPC	334223	335341
40-AH/SH	40AHBRGKIT	334216SPC	334224	335342
47-AH/SH	47AHBRGKIT	334216SPC	334225	335343
Adaptable and separate input – Solid output – AS/SS				
13-AS/SS	13ASBRGKIT	334211SPC	334218	335337
15-AS/SS	15ASBRGKIT	334211SPC	334218	335337
17/176-AS/SS	17ASBRGKIT	334212SPC	334219	641162601C
20/202-AS/SS	20ASBRGKIT	334212SPC	334219	641162601A
23-AS/SS	23ASBRGKIT	334213SPC	334220	641162601A
26-AS/SS	26ASBRGKIT	334213SPC	334221	641162601A
30/32-AS/SS	30ASBRGKIT	334214SPC	334222	335338
35/38-AS/SS	35ASBRGKIT	334215SPC	334223	411626-06-F (Cup) 411626-05-F (Cone)
40-AS/SS	40ASBRGKIT	334216SPC	334224	335340
47-AS/SS	47ASBRGKIT	334216SPC	334225	335344
Quill input – Hollow output – QH				
13-QH	13QHBRGKIT	–	334218	641162601A
15-QH	15QHBRGKIT	–	334218	641162601A
17/176-QH	17QHBRGKIT	–	334219	335338
20/202-QH	20QHBRGKIT	–	334219	335339
23-QH	23QHBRGKIT	–	334220	335340
26-QH	26QHBRGKIT	–	334221	41162601BJ
30/32-QH	30QHBRGKIT	–	334222	335341
35/38-QH	35QHBRGKIT	–	334223	335341
40-QH	40QHBRGKIT	–	334224	335342
47-QH	47QHBRGKIT	–	334225	335343
Quill input – Solid output – QS				
13-QS	13QSBRGKIT	–	334218	335337
15-QS	15QSBRGKIT	–	334218	335337
17/176-QS	17QSBRGKIT	–	334219	641162601C
20/202/21B-QS	20QSBRGKIT	–	334219	641162601A
23-QS	23QSBRGKIT	–	334220	641162601A
26-QS	26QSBRGKIT	–	334221	641162601A
30/32-QS	30QSBRGKIT	–	334222	335338
35/38-QS	35QSBRGKIT	–	334223	411626-06-F (Cup) 411626-05-F (Cone)
40-QS	40QSBRGKIT	–	334224	335340
47-QS	47QSBRGKIT	–	334225	335344

Tigear®-2 Shim kits

Size	AH-QH-SH	AS-QS	Size	AH-QH-SH	AS-QS	Size	AH-QH-SH	AS-QS
13			20	641162333C		30		335330
15	641162333B	41164246E	23	335331	641162333B	35	335333	641162333C
17	335330	41162333A	26	335332		40	335334	335331
						47	335335	335336

Renewal parts

Tigear®-2 Quill adapter replacements

Tigear®-2 Quill adapter replacement chart

Reducer size	Frame size	Standard adapter (1)	Stainless steel adapter (2)	Input seal	O-ring (1)	O-ring (2)	Motor adapter gasket	White paint (3)
13, 15	56	333228	-	334274	334301	-	602028-43-F	810002
17	56, 140	333228	334075	334274	334301	334112	602028-43-F	810002
20	56, 140	333228	334075	334274	334301	334112	602028-43-F	810002
202, 21B	56, 140	333228	-	334274	334301	-	602028-43-F	810002
23, 26, 30	56, 140	335733	334095	334276	276355	334111	602028-43-F	810002
	180	334681	334097				276335	
32	56, 140	335733	-	334276	276355	-	602028-43-F	810002
	180	334681					276335	
35, 38	56, 140	335737	-	337276	334302	-	602028-43-F	810002
	180	335739		334279			276335	
40, 47	56, 140	335737	-	337276	334302	-	602028-43-F	810002
	180, 210	335739		334279			276335	
	250	334570						

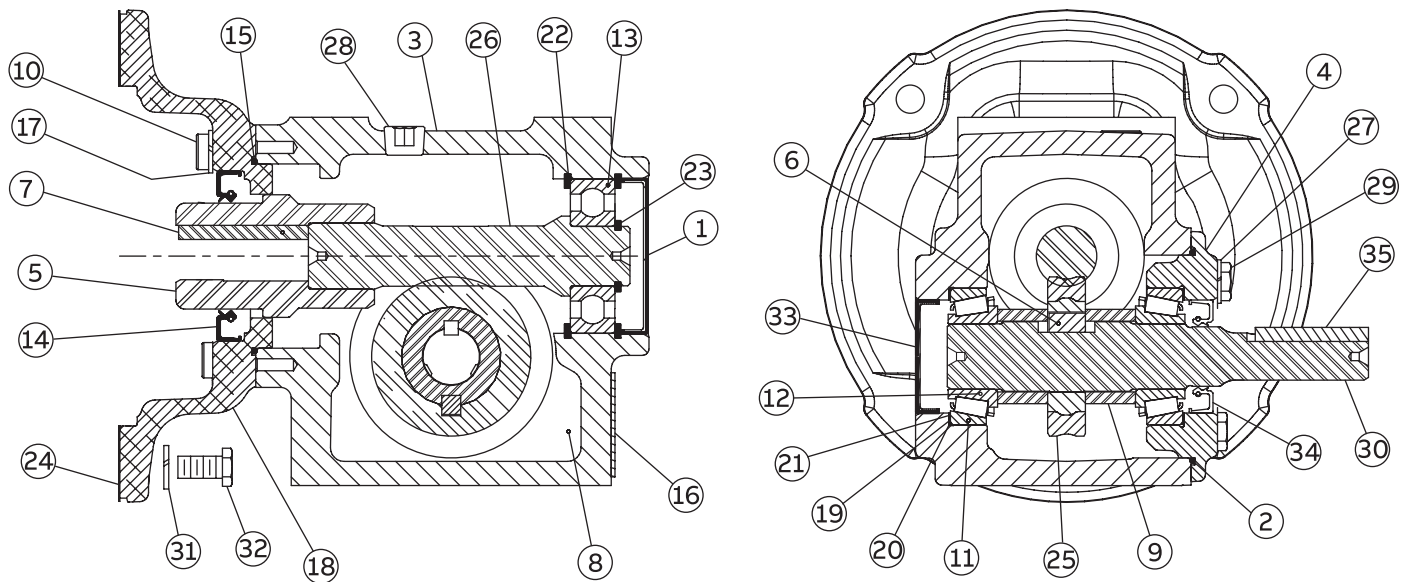
(1) For use with standard or E-Z Kleen® enclosure reducers.

(2) For use with Food Safe enclosure reducers.

(3) For use with reducers with white paint. Adapters do not come painted white.

Tigear®-2 with quill input / solid output

Sizes 13 - 26



Ref no.	Description	Qty.	13	15	17	20 / 21B	23	26
			Part number	Part number	Part number	Part number	Part number	Part number
1	Input bore plug	1	335603	335603	335600 (1)	335600 (1)	335601 (1)	335609 (1)
2	O-Ring	1	336366	336366	335508	276355	334312	454787
3	Tigear®-2 solid gearcase	1	333210	333211	335677 (1)	335678 (1) 336068 (2)	335874 (1)	335680 (1)
4	T2 133 & 150 solid bearing housing	1	333265	333265	333266	333267	333268	333269
5	Quill coupling 150 56C #	1	(4)	(4)	(4)	(4)	(4)	(4)
7	Gear key	1	333650	333661	333666	333671	333686	333696
	Drive-Lok key 56-140	1	333698	333698	333667	333667	333698	333698
	Drive-Lok key 180TC	1	-	-	-	-	333707	333707
	Drive-Lok key 210TC	1	-	-	-	-	-	-
8	Drive-Lok key 250TC	1	-	-	-	-	-	-
	Tigear-2 lubricant	1	334863	334863	334863	334863	334863	334863
9	Solid spacer	2	333725	333726	333727	333728	333729	333730
10	Socket head cap screw GR8	4	333801	333801	333801	333801	51492	51492
	Socket head cap screw 180-210-250	4	-	-	-	-	51492	51492
11-12	Bearing cup/cone assembly	2	335337	335337	641162601C	641164201A	641164201A	641164201A
13	Ball bearing	1	334218	334218	334219	334219	334220	334221
14	Input seal T2 56-140	1	334274	334274	334274	334274	334276	334276
	Input seal T2 180-210-250	1	-	-	-	-	334276	334276
15	"O-Ring, Nitrile"	1	334301	334301	334301	334301	276355	276355
16	Tigear-2 nameplate	1	334305	334305	334305	334305	334305	334305
17	Medium lockwasher	4	419010	419010	419010	419010	275803	275803

(1) Dodge® changed the gearcase end to be enclosed instead of having an input bore plug. For units built before the change, use the input bore plug part number shown. When replacing original gearcase, order current gearcase.

(2) 21B Gearcase

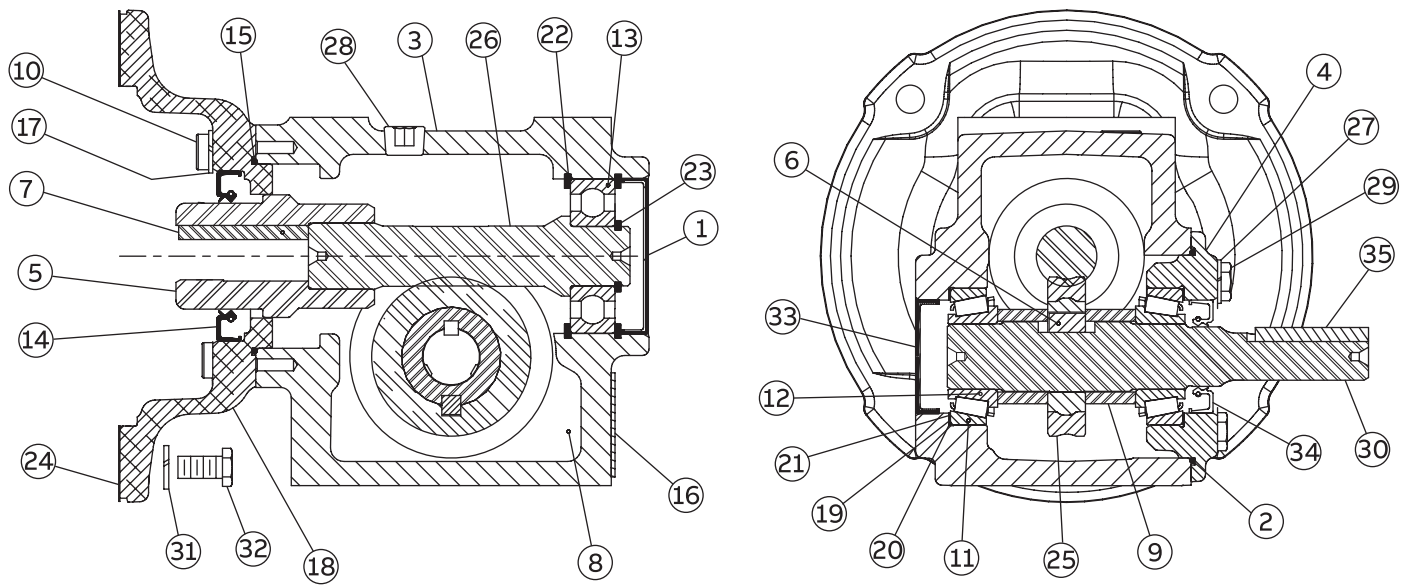
(3) Contact Dodge renewal parts

(4) Input coupling is assembled to worm shaft. Contact Dodge renewal parts.

(5) For exact oil volumes, see page 177.

Tigear®-2 with quill input / solid output

Sizes 13 - 26



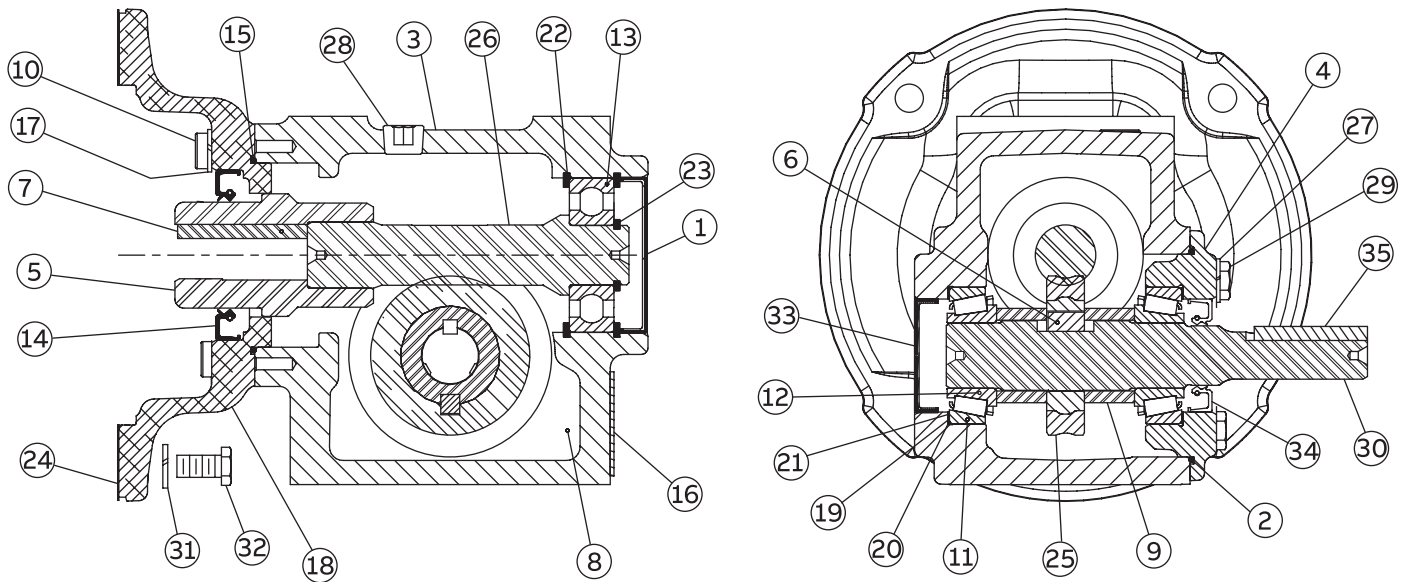
Ref. no.	Description	Qty.	13	15	17	20 / 21B	23	26
			Part number	Part number	Part number	Part number	Part number	Part number
18	Motor adapter T2 56-140	1	333228	333228	333228	333228	335733	335733
	Motor adapter 180	1	-	-	-	-	334681	334681
19-21	Shim kit	1	641164246E	641164246E	41162333A	41162333A	641162333B	641162333B
22	Internal retaining ring	2	411637-02-AV	411637-02-AV	58256	58256	411637-01-A	278715
23	External retaining ring	1	411637-02-E	411637-02-E	411637-02-AV	411637-02-AV	411637-02-N	411637-02-AP
24	56/140 M/A. gasket	1	602028-43-F	602028-43-F	602028-43-F	602028-43-F	602028-43-F	602028-43-F
	Motor adapter gasket 180-210-250	1	-	-	-	-	276335	276335
25	Tigear®-2 solid gear (3)	1	-	-	-	-	-	-
26	Tigear-2 wormshaft (3)	1	-	-	-	-	-	-
27	Medium lockwasher	4	419009	419009	419010	419010	275803	275803
28	Pipe plug 1/4" Soc.	2	411647-34-B	411647-34-B	411647-34-B	411647-34-B	411647-34-B	411647-34-B
29	Hex head cap screw GR5	4	51302	51302	411405	411405	051929	051929
30	Solid O/P shaft-single extn	1	333604	333605	333606	333607	333608	333609
31	Lockwasher 56-140	4	275803	275803	275803	275803	275803	275803
	Lockwasher 180-210	4	-	-	-	-	275803	275803
	Hex head cap screw motor 56-140	4	051929	051929	51929	051929	051929	051952
32	Hex head cap screw motor 180-210	4	-	-	-	-	411631-58-X	411631-58-X
	Hex head cap screw motor 250	4	-	-	-	-	-	-
33	Output bore plug	1	335605	335605	335606	335608	335608	335608
34	Tigear-2 seal, output	1	334271	334271	334272	334273	334273	334273
35	Key	1	333665	333660	333665	333827	333685	333695

- (1) Dodge® changed the gearcase end to be enclosed instead of having an input bore plug. For units built before the change, use the input bore plug part number shown. When replacing original gearcase, order current gearcase.
- (2) 21B Gearcase
- (3) Contact Dodge renewal parts
- (4) Input coupling is assembled to worm shaft. Contact Dodge renewal parts.
- (5) For exact oil volumes, see page 177.

Metric Reducers - Ratings & Dimensions
 Ratio multiplier
 Accessories
 Competitor interchange
 Renewal parts
 Part number index

Tigear®-2 with quill input / solid output

Sizes 30 - 47

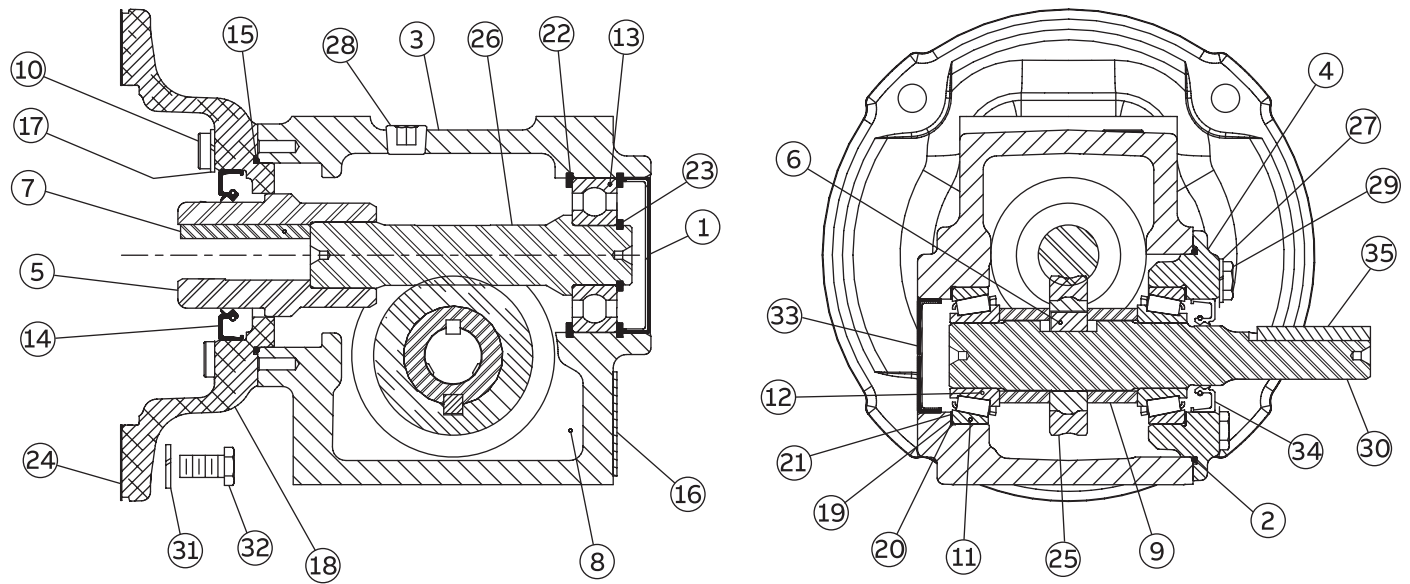


Ref. no.	Description	Qty.	30	32	35	38	40	47
			Part number	Part number	Part number	Part number	Part number	Part number
1	Input bore plug	1	335602 (2)	-	335604 (2)	-	335610	335613
2	O-Ring	1	276357	276357	336367	336367	334313	334315
3	Tigear®-2 solid gearcase	1	333216 (2)	336052	335692 (2)	336055	334506	334576
4	T2 solid bearing housing	1	333270	333270	333271	336074	334510	334580
5	Quill coupling	1	(4)	(4)	(4)	(4)	(4)	(4)
6	Gear key	1	333706	333706	333775	333717	334564	334624
7	Drive-Lok key 56-140	1	333698	333698	333715	333715	334557	-
	Drive-Lok key 180TC	1	333707	333707	333707	333707	334558	334558
	Drive-Lok key 210TC	1	-	-	-	333721	334559	334559
	Drive-Lok key 250TC	1	-	-	-	-	334560	334560
8	Tigear-2 lubricant (7)	1	334862	334862	334862	334862	334862	334862 (6)
9	Solid spacer	2	-	333731	333732	333740	334565	334625
10	Socket head cap screw GR8	4	51492	51492	051929	051929	51952	-
	Socket head cap screw 180-210-250	4	51492	51492	246451	246451	246451	246451
11-12	Bearing cup/cone assembly	0 or 2	335338	335338	-	335341	335340	335344
11	Bearing cup	0 or 2	-	-	411626-06-F	-	-	-
12	Bearing cone	0 or 2	-	-	411626-05-F	-	-	-
13	Ball bearing	1	334222	334222	334223	334223	334224	334225
14	Input seal 56-140	1	334276	334276	334276	334276	334276	-
	Input seal T2 180-210-250	1	334276	334276	334279	334279	334279	334279
15	"O-Ring, Nitrile"	1	276355	276355	334302	334302	334302	334302
16	Tigear-2 nameplate	1	334305	334305	334305	334305	334305	334305
17	Medium lockwasher 56-140	4	275803	275803	275803	275803	275803	275855
	Medium lockwasher 180-210-250	4	275803	275803	275853	275853	275855	275855

- (1) 250TC adapter plate bolts onto 180-210 motor adapter 335739
- (2) Dodge® changed the gearcase end to be enclosed instead of having an input bore plug. For units built before the change, use the input bore plug part number shown. When replacing original gearcase, order current gearcase.
- (3) 250TC frame takes quantity 2.
- (4) Input coupling is assembled to worm shaft. Contact Dodge renewal parts.
- (5) Contact Dodge penewal parts.
- (6) Size 47 requires 176 oz. of lubricant. Order qty. 1 (gal) **334862** and qty 2 (qt) **334863**.
- (7) For exact oil volumes – see page 177.

Tigear®-2 with quill input / solid output

Sizes 30 - 47



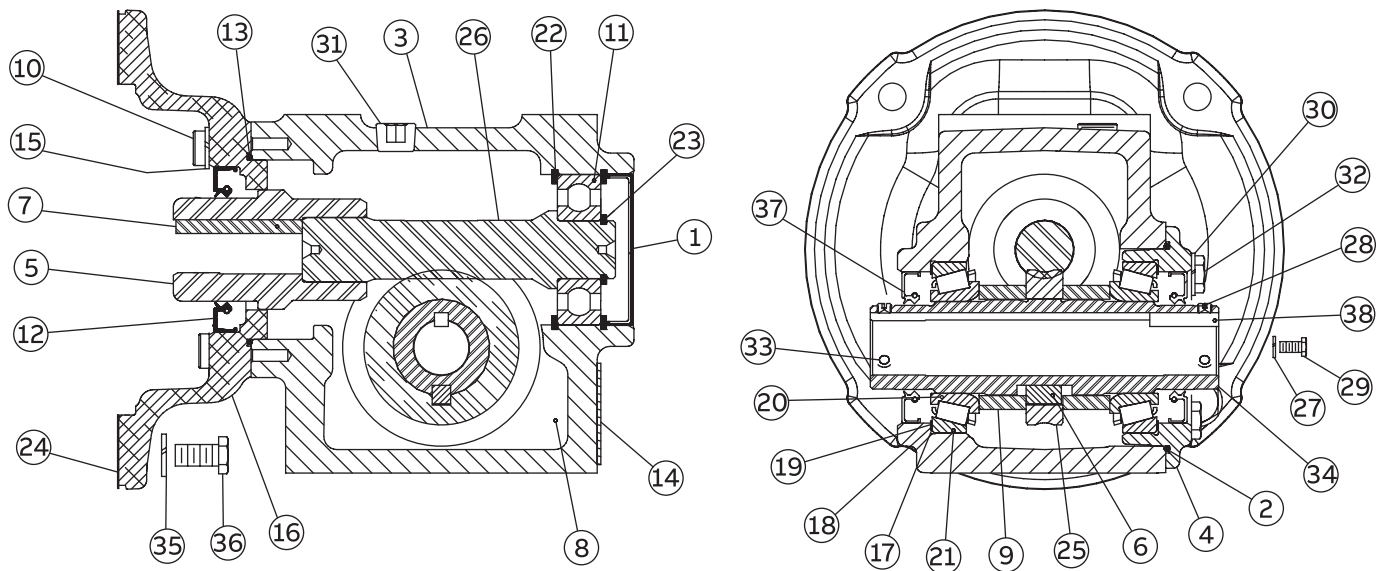
Ref. no.	Description	Qty.	30	32	35	38	40	47
			Part number	Part number	Part number	Part number	Part number	Part number
18	Motor adapter T2 56-140	1	335733	335733	335737	335737	335737	-
	Motor adapter 180	1	334681	334681	335739	335739	335739	335739
	Motor adapter plate 250 TC (1)	1	-	-	-	-	334570	334570
19-21	Shim kit	1	335330	335330	411623-33-C	335333	335331	335336
22	Internal retaining ring	2	411637-02-AC	411637-02-AC	278717	278717	051334	051335
23	External retaining ring	1	411637-02-AR	411637-02-AR	411637-02-BA	411637-02-BA	334404	333933
24	56/140 M/A. gasket	1	602028-43-F	602028-43-F	602028-43-F	602028-43-F	602028-43-F	-
	Motor adapter gasket 180-210-250 (3)	1	276335	276335	276335	276335	276335	276335
25	Tigear®-2 solid gear (5)	1	-	-	-	-	-	-
26	Tigear-2 wormshaft (5)	1	-	-	-	-	-	-
27	Medium lockwasher	4	275855	275855	275855	275855	-	419036
28	Pipe plug 1/4" socket.	2	411647-34-B	411647-34-B	411647-34-B	411647-34-B	411647-34-B	411647-34-B
29	Hex head cap screw GR5	4	-	-	51952	51952	411483	032018016EJ
	Solid O/P shaft-single extension	1	333610	333610	333611	336070	334554	334619
	Lockwasher 56-140	4	275803	275803	-	275855	275803	-
	Lockwasher 180-210	4	275803	275803	275855	275855	275853	275853
30	Hex head cap screw motor 56-140	4	51952	51952	51952	51952	051929	051929
	Hex head cap screw motor 180-210	4	411631-58-X	411631-58-X	334900	334900	334900	334900
32	Hex head cap screw motor 250	4	-	-	-	-	334901	334901
	Output bore plug	1	335607	335607	335614	335604	335611	335612
34	Tigear-2 seal, output	1	334274	334274	334275	242113	334277	334278
35	Key	1	333705	333705	333716	333716	333829	333829

- (1) 250TC adapter plate bolts onto 180-210 motor adapter 335739
- (2) Dodge® changed the gearcase end to be enclosed instead of having an input bore plug. For units built before the change, use the input bore plug part number shown. When replacing original gearcase, order current gearcase.
- (3) 250TC frame takes quantity 2.
- (4) Input coupling is assembled to worm shaft. Contact Dodge renewal parts.
- (5) Contact Dodge renewal parts.
- (6) Size 47 requires 176 oz. of lubricant. Order qty. 1 (gal) **334862** and qty 2 (qt) **334863**.
- (7) For exact oil volumes – see page 177.

Metric Reducers – Ratings & Dimensions
Ratio multiplier
Accessories
Competitor interchange
Renewal parts
Part number index

Tigear®-2 with quill input / hollow output

Sizes 13 - 26



Ref. no.	Description	Qty.	13	15	17	20	23	26
			Part number	Part number	Part number	Part number	Part number	Part number
1	Input bore plug	1	335603	335603	335600 (1)	335600 (1)	335601 (1)	335609 (1)
2	O-Ring	1	336366	336366	335508	276355	334312	454787
3	Tigear®-2 hollow gearcase	1	333218	333219	335697 (1)	335698 (1)	335877 (1)	335700 (1)
4	Tigear-2 hollow bearing housing	1	333281	333281	333282	333283	333284	333285
5	Quill coupling	1	(2)	(2)	(2)	(2)	(2)	(2)
6	Gear key	1	333650	333650	333666	333671	333686	333670
	Drive-Lok key 56-140	1	333698	333698	333667	333667	333698	333698
7	Drive-Lok key 180TC	1	-	-	-	-	333707	333707
	Drive-Lok key 210TC	1	-	-	-	-	-	-
	Drive-Lok key 250TC	1	-	-	-	-	-	-
8	Tigear-2 lubricant (4)	1	334863	334863	334863	334863	334863	334863
9	Tigear-2 hollow O/P spacer	2	333733	333734	333735	333736	333737	333738
10	Socket head cap screw GR8	4	333801	333801	333801	333801	51492	51492
	Socket head cap screw 180-210-250	4	-	-	-	-	51492	51492
11	Ball bearing	1	334218	334218	334219	334219	334220	334221
12	Input seal T2 56-140	1	334274	334274	334274	334274	334276	334276
	Input seal T2 180-210-250	1	-	-	-	-	334276	334276
13	O-Ring, Nitrile	1	334301	334301	334301	334301	276355	276355
14	Tigear-2 nameplate	1	334305	334305	334305	334305	334305	334305
15	Medium lockwasher 56-140	4	419010	419010	419010	419010	275803	275803
	Medium lockwasher 180-210-250	-	-	-	-	-	275803	275803
16	Motor adapter T2 56-140	1	333228	333228	333228	333228	335733	335733
	Motor adapter, 180	1	-	-	-	-	334681	334681
17-19	Shim Kit	1	411623-33-B	411623-33-B	335330	411623-33-C	335331	335332

(1) Dodge changed the gearcase end to be enclosed instead of having an input bore plug. For units built before the change, use the input bore plug part number shown.

When replacing original gearcase, order current gearcase.

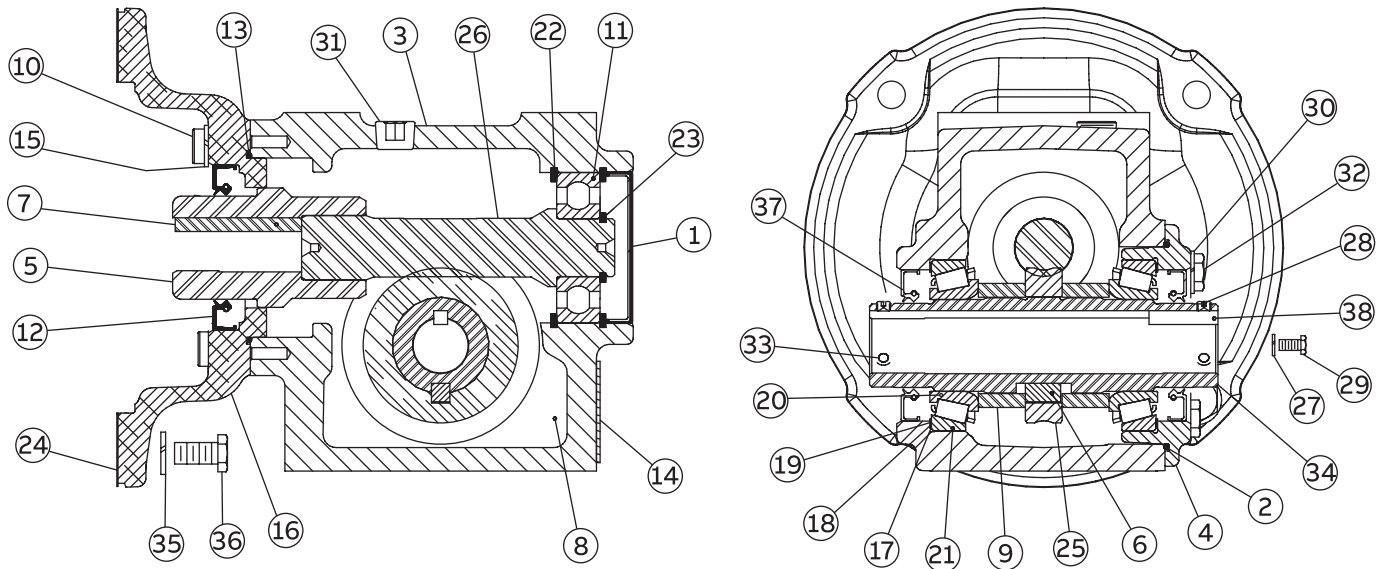
(2) Input coupling is assembled to wormshaft. Contact Dodge renewal parts.

(3) Contact Dodge renewal parts.

(4) For exact oil volumes – see page 177.

Tigear®-2 with quill input / hollow output

Sizes 13 - 26



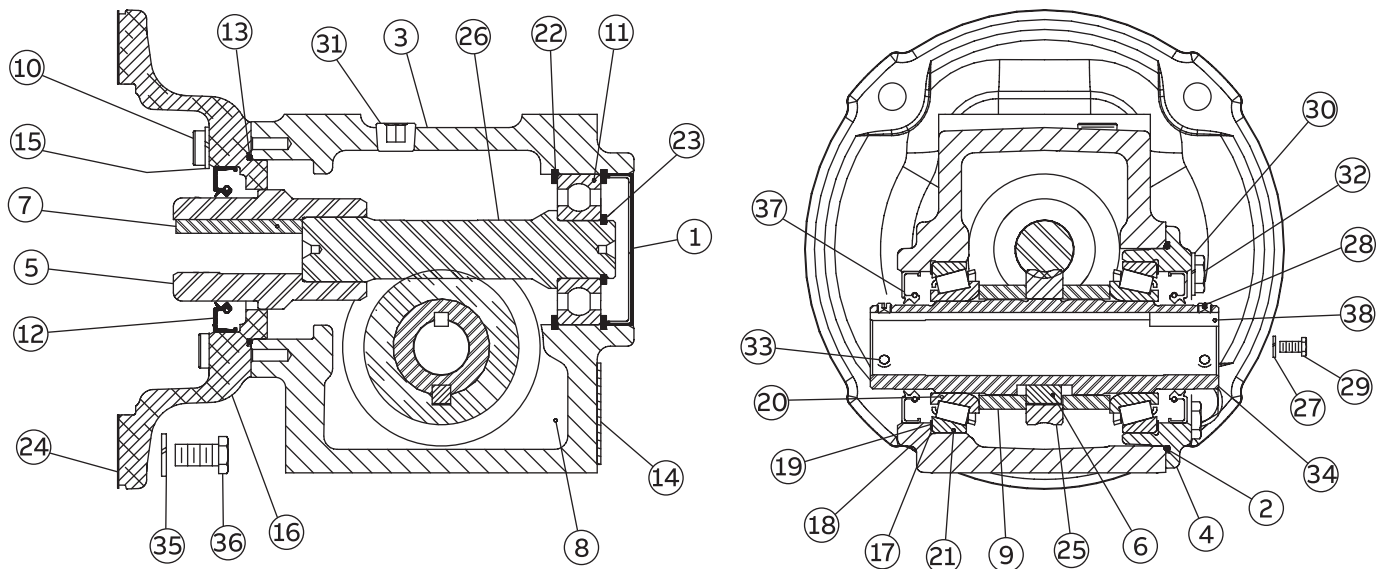
Ref. no.	Description	Qty.	13	15	17	20	23	26
			Part number	Part number	Part number	Part number	Part number	Part number
20-21	Bearing cup/cone assembly	2	641162601A	641162601A	335338	335339	335340	41162601BJ
22	Internal retaining ring	2	411637-02-AV	411637-02-AV	58256	58256	411637-01-A	278715
23	External retaining ring	1	411637-02-E	411637-02-E	411637-02-AY	411637-02-AY	411637-02-N	411637-02-AP
24	56/140 M/A gasket	1	602028-43-F	602028-43-F	602028-43-F	602028-43-F	602028-43-F	602028-43-F
	Motor adapter gasket 180-210-250	1	-	-	-	-	276335	-
25	Tigear®-2 hollow gear (3)	1	-	-	-	-	-	-
26	Tigear-2 wormshaft (3)	1	-	-	-	-	-	-
27	Medium lockwasher	2	419007	419007	419007	419007	419009	419009
28	Set screw	2	400140	400140	400140	400140	400140	400140
29	Hex head cap screw	2	58270	58270	333800	333800	51302	51302
30	Medium lockwasher	4	419009	419009	419010	419010	275803	275803
31	Pipe plug 1/4" socket	2	411647-34-B	411647-34-B	411647-34-B	411647-34-B	411647-34-B	411647-34-B
32	Hex head cap screw	4	51302	51302	411405	411405	051929	051929
33	Set screw	4	-	-	-	-	275953	275962
34	Tigear-2 hollow O/P shaft	1	333629	-	333631	334789	333633	333634
35	Lockwasher 56-140	4	275803	275803	275803	275803	275803	275803
	Lockwasher 180-210	4	-	-	-	-	275803	275803
	Hex head cap screw motor 56-140	4	51929	51929	51929	51929	51929	51929
36	Hex head cap screw motor 180-210	4	-	-	-	-	411631-58-X	411631-58-X
	Hex head cap screw motor 250	4	-	-	-	-	-	-
37	Seal Tigear-2, output	2	334273	334273	334274	334276	334277	334278
38	Output key	1	333831	333831	334897	333827	333687	333687

- (1) Dodge changed the gearcase end to be enclosed instead of having an input bore plug. For units built before the change, use the input bore plug part number shown.
When replacing original gearcase, order current gearcase.
- (2) Input coupling is assembled to wormshaft. Contact Dodge renewal parts.
- (3) Contact Dodge renewal parts.
- (4) For exact oil volumes – see page 177.

Metric Reducers – Ratings & Dimensions
Ratio multiplier
Accessories
Competitor interchange
Renewal parts
Part number index

Tigear®-2 with quill input / hollow output

Sizes 30 - 47



Ref. no.	Description	Qty.	30	32	35	40	47
			Part number	Part number	Part number	Part number	Part number
1	Input bore plug	1	335602 (1)	335602 (1)	335604 (1)	335610	335613
2	O-Ring	1	276357	276357	336367	334313	334315
3	Tigear®-2 solid gearcase	1	333224 (1)	336053	335702 (1)	334507	334577
4	T2 Hollow Brg Housing	1	333286	333286	333287	334512	334582
5	Quill coupling	1	(4)	(4)	(4)	(4)	(4)
6	Gear key	1	333712	333712	333717	334564	334624
	Drive-Lok key 56-140	1	333698	333698	333715	334557	-
7	Drive-Lok key 180TC	1	333707	333707	333707	334558	334558
	Drive-Lok key 210TC	1	-	-	333721	334559	334559
	Drive-Lok key 250TC	1	-	-	-	334560	334560
8	Tigear-2 lubricant (7)	1	334862	334862	334862	334862	334862 (6)
9	Solid spacer	2	333739	333739	333740	334565	334625
10	Socket head cap screw 56-140	4	51492	51492	51952	51952	-
	Socket head cap screw 180-210-250	4	51492	51492	276451	276451	276451
11	Ball bearing	1	334222	334222	334223	334224	334225
12	Input seal T2 56-140	1	334276	334276	334276	334276	-
	Input seal T2 180-210-250	1	334276	334276	334279	334279	334279
13	"O-Ring, Nitrile"	1	276355	276355	334302	334302	334302
14	Tigear-2 nameplate	1	334305	334305	334305	334305	334305
15	Medium lockwasher 56-140	4	275803	275803	275855	275855	275855
	Medium lockwasher 180-210-250	4	275803	275803	275855	275855	275855
	Motor adapter T2 56-140	1	335733	335733	335737	335737	-
16	Motor adapter, 180	1	334681	334681	335739	335739	335739
	Motor adapter plate 250 TC (1)	1	-	-	-	334570	334570
17-19	Shim kit	1	335333	335333	335333	335334	335335

(1) 250TC adapter plate bolts onto 180-210 motor adapter 335739

(2) Dodge changed the gearcase end to be enclosed instead of having an input bore plug. For units built before the change, use the input bore plug part number shown.

When replacing original gearcase, order current gearcase.

(3) 250TC frame takes quantity 2.

(4) Input coupling is assembled to wormshaft. Contact Dodge renewal parts.

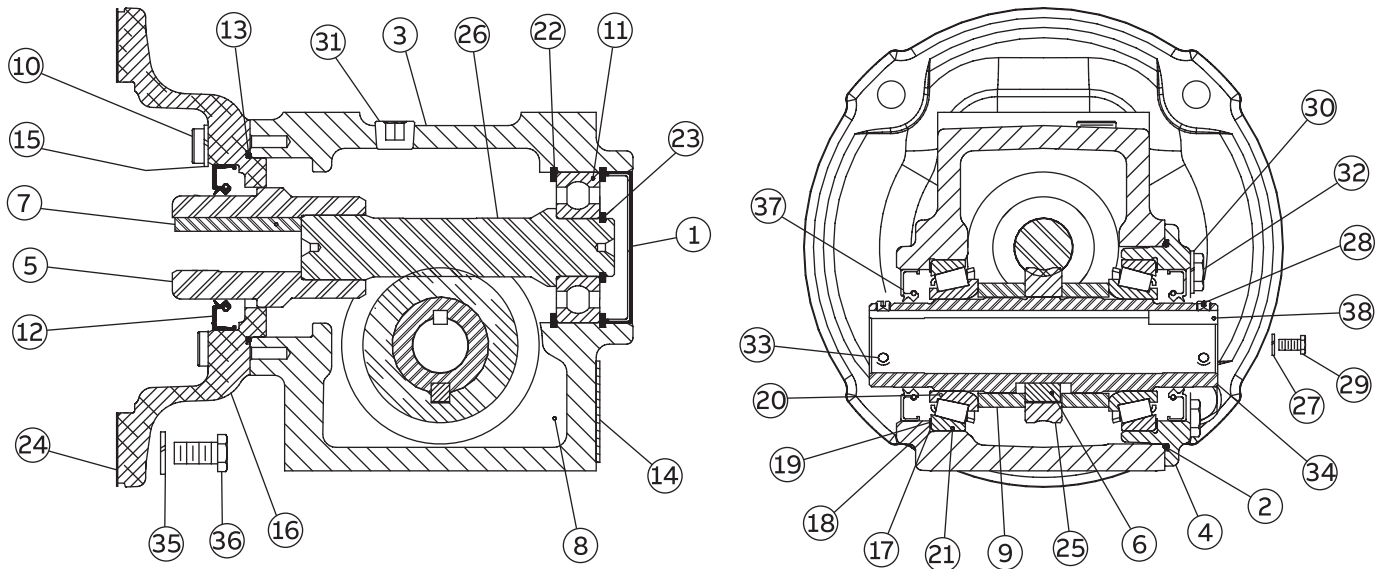
(5) Contact Dodge renewal parts.

(6) Size 47 requires 164 oz. of lubricant. Order qty. 1 (gal) **334862** and qty. 2 (qt) **334863**.

(7) For exact oil volumes – see page 177.

Tigear®-2 with quill input / hollow output

Sizes 30 - 47



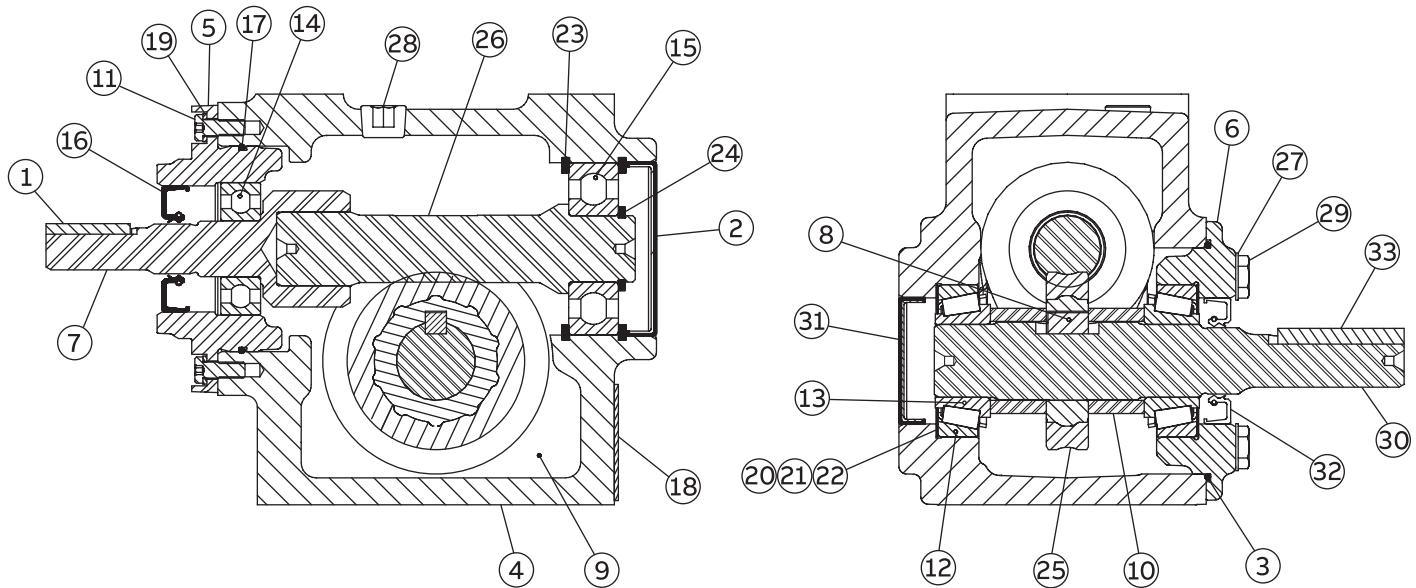
Ref. no.	Description	Qty.	30	32	35	40	47
			Part number	Part number	Part number	Part number	Part number
20-21	Bearing cup/cone assembly	0 or 2	335341	335341	335341	335342	335343
20	Bearing cone	0 or 2	-	-	-	-	-
21	Bearing cup	0 or 2	-	-	-	-	-
22	Internal retaining ring	1 or 2	411637-02-AC	411637-02-AC	278717	051334	051335
23	External retaining ring	1	411637-02-AR	411637-02-AR	411637-02-BA	334404	333933
24	56/140 M/A gasket	1	602028-43-F	602028-43-F	602028-43-F	602028-43-F	-
	Motor adaptor gasket 180-210-250 (3)	1	276335	276335	276335	276335	276335
25	Tigear®-2 solid gear (5)	1	-	-	-	-	-
26	Tigear-2 wormshaft (5)	1	-	-	-	-	-
27	Medium lockwasher	2	419009	419009	419009	419009	419009
28	Set screw	2	400140	400140	400140	400140	275953
29	Hex head cap screw	2	53204	53204	411396	411396	411402
30	Medium lockwasher	4	275855	275855	275855	419036	419036
31	Pipe plug 1/4" soc.	2	411647-34-B	411647-34-B	411647-34-B	411647-34-B	411647-34-B
32	Hex head cap screw	4	51952	51952	51952	411483	032018016EJ
33	Set screw	4	275954	275954	275954	333805	333805
34	Hollow O/P Shaft	1	333635	333635	333636	334556	334621
35	Lockwasher 56-140	4	275803	275803	275803	275803	-
	Lockwasher 180-210	4	275803	275803	275853	275853	275853
	Hex head cap screw motor 56-140	4	051929	051929	051929	051929	-
36	Hex head cap screw motor 180-210	4	411631-58-X	411631-58-X	334900	334900	334900
	Hex head cap screw motor 250	4	-	-	-	334901	334901
37	Tigear-2 seal, output	2	334279	334279	334279	334280	904286
38	Key	1	333709	333709	333709	334563	334563

- (1) 250TC adapter plate bolts onto 180-210 motor adapter 335739
- (2) Dodge changed the gearcase end to be enclosed instead of having an input bore plug. For units built before the change, use the input bore plug part number shown.
When replacing original gearcase, order current gearcase.
- (3) 250TC frame takes quantity 2.
- (4) Input coupling is assembled to wormshaft. Contact Dodge renewal parts.
- (5) Contact Dodge renewal parts.
- (6) Size 47 requires 164 oz. of lubricant. Order qty. 1 (gal) **334862** and qty. 2 (qt) **334863**.
- (7) For exact oil volumes – see page 177.

Metric Reducers – Ratings & Dimensions
Ratio multiplier
Accessories
Competitor interchange
Renewal parts
Part number index

Tigear®-2 with separate input / solid output

Sizes 13 - 26



Ref. no.	Description	Qty.	13	15	17	20	23	26
			Part number	Part number	Part number	Part number	Part number	Part number
1	Input key	1	333830	333830	333831	333831	333831	333831
2	I/P ribbed B/P	1	335603	335603	335600 (5)	335600 (5)	335601 (5)	335609 (5)
3	O-Ring	1	336366	336366	335508	276355	334312	454787
4	Tigear®-2 solid gearcase	1	333210	333211	335687 (5)	335688 (5) 336608 (1)	335875 (5)	335690 (5)
5	T2 I/P bearing carrier	1	333245	333245	333246	333246	333249	333249
6	Tigear-2 solid bearing housing	1	333265	333265	333266	333267	333268	333269
7	Tigear-2 input coupling adapter	1	(3)	(3)	(3)	(3)	(3)	(3)
8	Solid gear key	1	333650	333661	333666	333671	333686	333696
9	Tigear-2 lubricant (2)	1	334863	334863	334863	334863	334863	334863
10	Solid spacer	2	333725	333726	333727	333728	333729	333730
11	L hex head cap screw plain	2	333808	333808	333808	333808	333807	333807
12-13	Bearing cup/cone assembly	2	335337	335337	641162601C	641162601A	641162601A	641162601A
14	Ball bearing	1	BG6203B01	BG6203B01	BG6205B01	BG6205B01	-	BG6206B01
15	Ball bearing	1	334218	334218	334219	334219	334220	334221
16	Tigear-2 input seal	1	334270	334270	334271	334271	334272	334272
17	O-Ring, Nitrile	1	334300	334300	334300	334300	334303	334303
18	Tigear-2 nameplate	1	334305	334305	334305	334305	334305	334305
19	Medium lockwasher	2	419007	419007	419007	419007	419009	419009
20-22	Shim kit	1	641164246E	641164246E	641162333A	641162333B	641162333B	641162333B
23	Internal retainer ring	2	411637-02-AV	411637-02-AV	58256	58256	411637-01-A	278715
24	External retainer ring	1	641163702E	641163702E	411637-02-AY	411637-02-AY	411637-02-N	411637-02-AP
25	Solid gear (4)	1	-	-	-	-	-	-
26	Wormshaft (4)	1	-	-	-	-	-	-
27	Medium lockwasher	4	419009	419009	419010	419010	275803	275803
28	Pipe plug 1/4" socket	1	411647-34-B	411647-34-B	411647-34-B	411647-34-B	411647-34-B	411647-34-B
29	Hex head cap screw	4	51302	51302	411405	411405	051929	051929
30	O/P shaft, single extension	1	333604	333605	333606	333607	333608	333609
31	O/P ribbed bore plug	1	333605	333605	335606	335608	335608	335608
32	Tigear-2 seal, output	1	334271	334271	334272	334272	334273	334273
33	Key, output	1	333665	333660	333665	333827	333685	333695

(1) 21B gearcase.

(2) For exact oil volumes –see page 177.

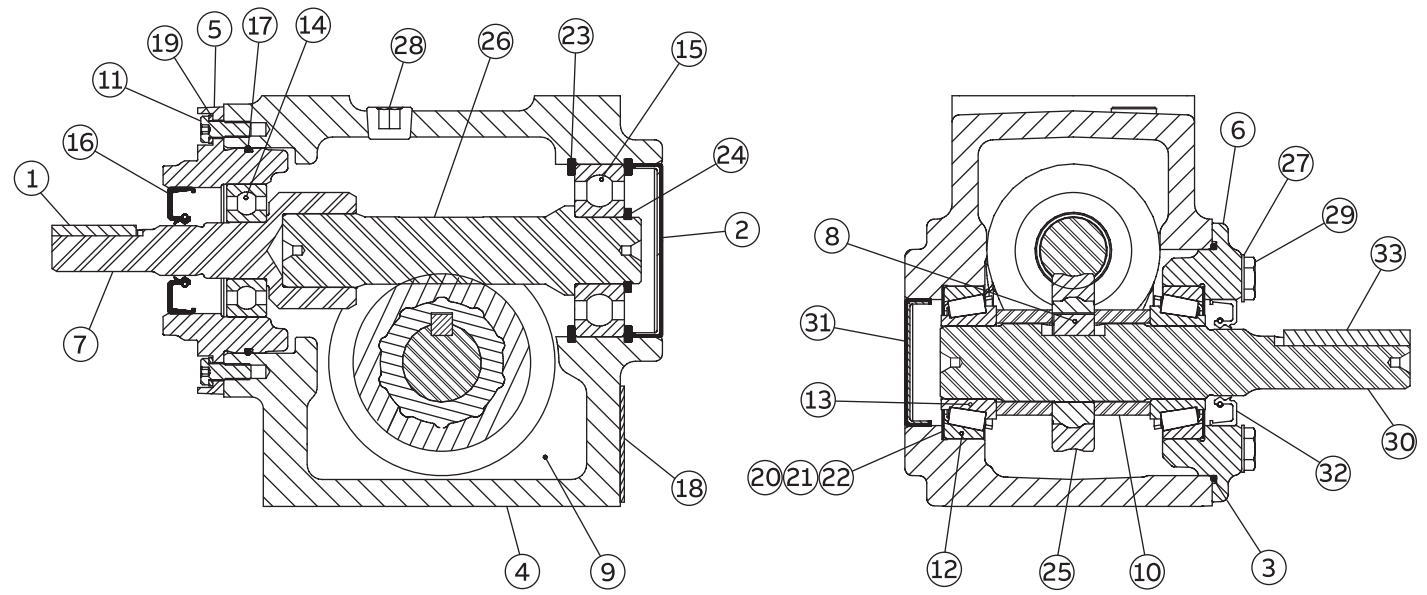
(3) Input coupling adapter is assembled to wormshaft. Contact Dodge® renewal parts.

(4) Contact Dodge renewal parts.

(5) Dodge changed the gearcase end to be enclosed instead of having an input bore plug. For units built before this change, use the input bore plug part number shown. When replacing original gearcase, order current gearcase.

Tigear®-2 with separate input / solid output

Sizes 30 - 47



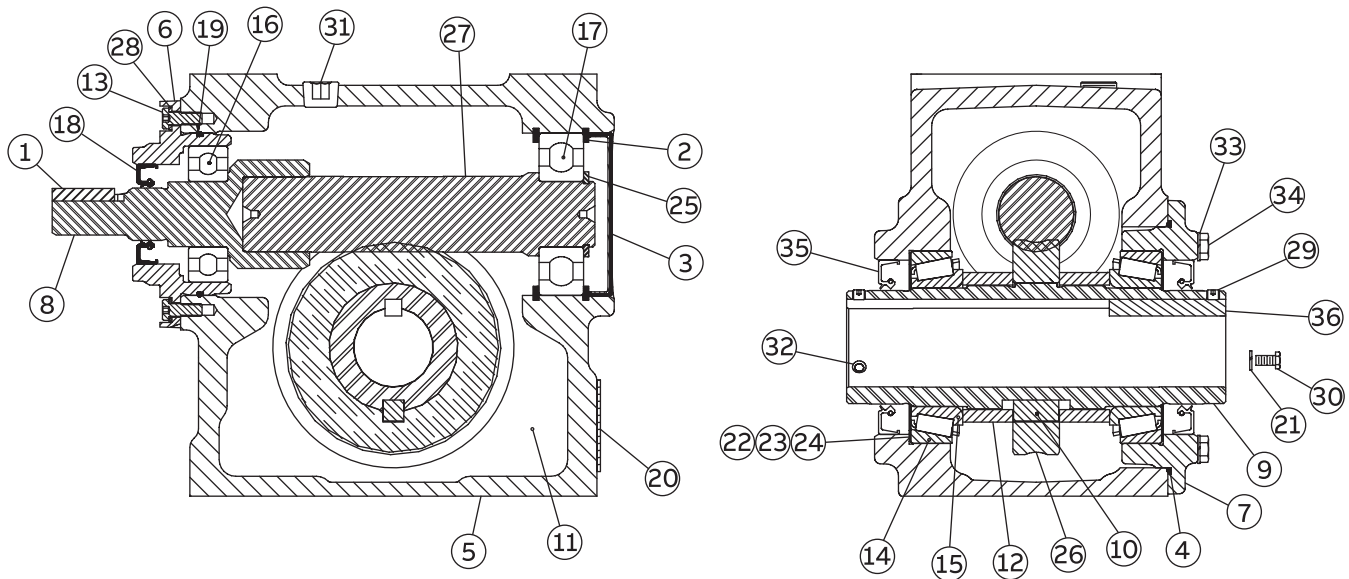
Ref. no.	Description	Qty.	30 Part number	32 Part number	35 Part number	38 Part number	40 Part number	47 Part number
1	Input key	1	333831	333831	333826	333826	334561	334561
2	I/P ribbed B/P	1	335602 (5)	335604 (5)	335604 (5)	-	335610	335613
3	O-Ring	1	276357	276357	336367	336367	334313	334315
4	Tigear®-2 solid gearcase	1	335895 (5)	336052 (5)	335692 (5)	336055 (5)	334506	334576
5	T2 I/P bearing carrier	1	333250	333250	333253	333253	334508	334508
6	T2 solid bearing housing	1	333270	333270	333271	336074	334510	334580
7	Tigear-2 input coupling adapter	1	(3)	(3)	(3)	(3)	(3)	(3)
8	Solid gear key	1	333706	333706	333775	333717	334564	334624
9	Tigear-2 lubricant (6)	1	334862	334862	334862	334862	334862	334862 (2)
10	Solid spacer	2	333731	333731	333732	333740	334565	334625
11	L hex head cap screw plain	2	333807	333807	333807	333807	333807	333807
12-13	Bearing cup/cone assembly	2	335338	335338	-	335341	335340	335344
12	Bearing cone	2	-	-	411626-05-F	-	-	-
13	Bearing cup	2	-	-	411626-06-F	-	-	-
14	Ball bearing	1	BG6207B01	BG6207B01	BG6208B01	BG6208B01	BG6210B01	BG6210B01
15	Ball bearing	1	334222	334222	334223	334223	334224	334225
16	Tigear-2 input seal	1	334272	334272	334272	334272	334274	334274
17	O-Ring, Nitrile	1	334303	334303	334314	334314	334314	334314
18	Tigear-2 nameplate	1	334305	334305	334305	334305	334305	334305
19	Medium lockwasher	2	419009	419009	419009	419009	419009	419009
20-22	Shim kit	1	335330	335330	641162333C	335333	335331	335336
23	Internal retainer ring	2	411637-02-AC	411637-02-AC	278717	278717	051334	051335
24	External retainer ring	1	641163702AR	641163702AR	411637-02-BA	411637-02-BA	334404	333933
25	Solid gear (4)	1	-	-	-	-	-	-
26	Wormshaft (4)	1	-	-	-	-	-	-
27	Medium lockwasher	4	275855	275855	275855	275855	419036	419036
28	Pipe plug 1/4" socket	1	411647-34-B	411647-34-B	411647-34-B	411647-34-B	411647-34-B	411647-34-B
29	Hex head cap screw	4	51952	51952	51952	51952	411483	032018016EJ
30	O/P shaft, single extension	1	333610	333610	333611	336070	334554	334619
31	O/P ribbed bore plug	1	335607	335607	335614	335604	335611	335612
32	Tigear-2 seal, output	1	334274	334274	334275	242113	334277	334278
33	Key, output	1	333705	333705	333716	333716	333829	333829

- (1) 21B gearcase.
- (2) Size 47 requires 176 oz. of lube. Order qty 1 (gal.) **334862** and qty 2 (qt.) **334863**
- (3) Input coupling adapter is assembled to wormshaft. Contact Dodge® renewal parts.
- (4) Contact Dodge renewal parts.
- (5) Dodge changed the gearcase end to be enclosed instead of having an input bore plug. For units built before this change, use the input bore plug part number shown. When replacing original gearcase, order current gearcase.
- (6) For exact oil volumes – see page 177.

Metric Reducers – Ratings & Dimensions
Ratio multiplier
Accessories
Competitor interchange
Renewal parts
Part number index

Tigear®-2 with separate input / hollow output

Sizes 13 - 26



Ref. no.	Description	Qty.	13	15	17	20 / 21B	23	26
			Part number	Part number	Part number	Part number	Part number	Part number
1	Input key	1	333830	333830	333831	333831	333831	333831
2	Internal retainer ring	2	411637-02-AV	411637-02-AV	58256	58256	411637-01-A	278715
3	I/P ribbed bore plug	1	335603	335603	335600 (3)	335600 (3)	335601 (3)	335609 (3)
4	O-Ring	1	336366	336366	335508	276355	334312	454787
5	Tigear®-2 hollow gearcase	1	333218	333219	335697 (3)	335698 (3)	335877 (3)	335700 (3)
6	T2 I/P bearing carrier	1	333245	333245	333246	333246	333249	333249
7	T2 hollow bearing housing	1	333281	333281	333282	333283	333284	333285
8	Tigear-2 sep input coupling	1	(2)	(2)	(2)	(2)	(2)	(2)
9	Hollow output shaft	1	333629	333629	333631	334789	333633	333634
10	H/O gear key	1	333650	333650	333666	333671	333686	333670
11	Tigear-2 lubricant (4)	1	334863	334863	334863	334863	334863	334863
12	Hollow O/P spacer	2	333733	333734	333735	333736	333737	333738
13	L hex head cap screw plain	2	333808	333808	333808	333808	333807	333807
14-15	Bearing cup/cone assembly	2	641162601A	641162601A	335338	335339	335340	411626018J
16	Ball bearing	1	BG6203B01	BG6203B01	BG6205B01	BG6205B01	BG6206B01	BG6206B01
17	Ball bearing	1	334218	334218	334219	334219	334220	334221
18	Input seal	1	334270	334270	334271	334271	334272	334272
19	O-Ring, Nitrile	1	334300	334300	334300	334300	334303	334303
20	Tigear-2 nameplate	1	334305	334305	334305	334305	334305	334305
21	Medium lockwasher	2	419007	419007	419007	419007	419009	419009
22-24	Shim kit	1	641162333B	641162333B	335330	641162333C	335331	335332
25	External retainer ring	1	641163702E	641163702E	411637-02-AY	411637-02-AY	411637-02-N	411637-02-AP
26	Wormshaft (1)	1	-	-	-	-	-	-
27	Worm gear (1)	1	-	-	-	-	-	-
28	Medium lockwasher	2	419007	419007	419007	419007	419009	419009
29	Set screw	2	400140	400140	400140	400140	400140	400140
30	Hex head cap screw	2	58270	58270	333800	333800	51302	51302
31	Pipe plug 1/4" socket	2	411647-34-B	411647-34-B	411647-34-B	411647-34-B	411647-34-B	411647-34-B
32	Set screw	4	275953	275953	275953	275953	275953	275962
33	Medium lockwasher	4	419009	419009	419010	419010	275803	275803
34	Hex head cap screw	4	51302	51302	411405	411405	051929	051929
35	Output seal T2	2	334273	334273	334274	334276	334277	334278
36	Key, output	1	333831	333831	334897	333827	333687	333687

(1) Contact Dodge® renewal parts.

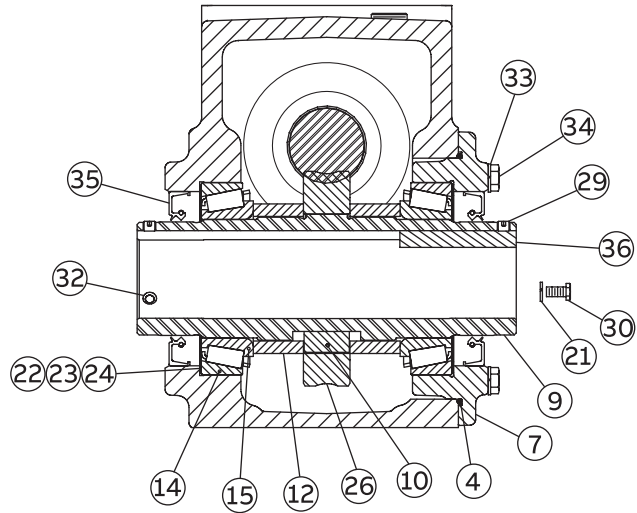
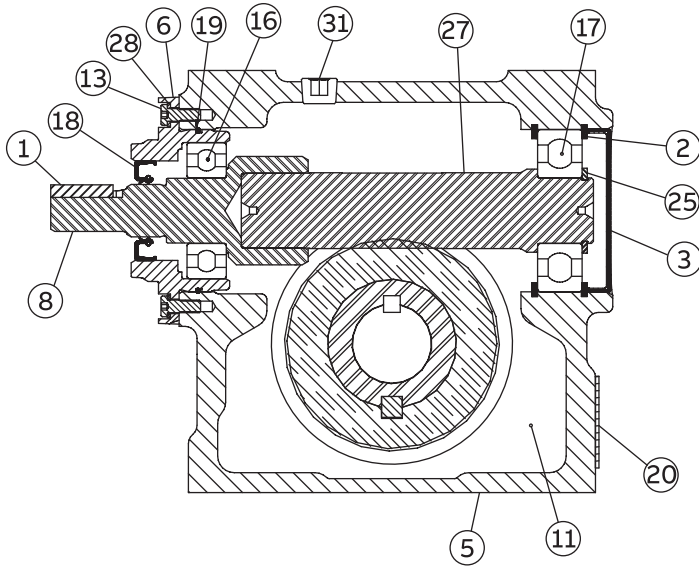
(2) Input coupling adapter is assembled to wormshaft. Contact Dodge renewal parts.

(3) Dodge changed the gearcase end to be enclosed instead of having an input bore plug. For units built before this change, use the input bore plug part number shown. When replacing original gearcase, order current gearcase.

(4) For exact oil volumes – see page 177.

Tigear®-2 with separate input / hollow output

Sizes 30 - 47



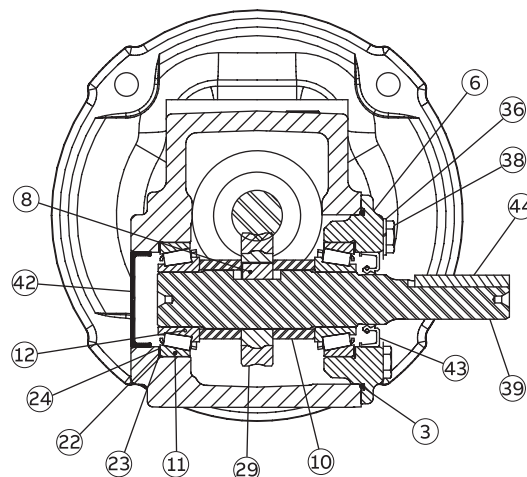
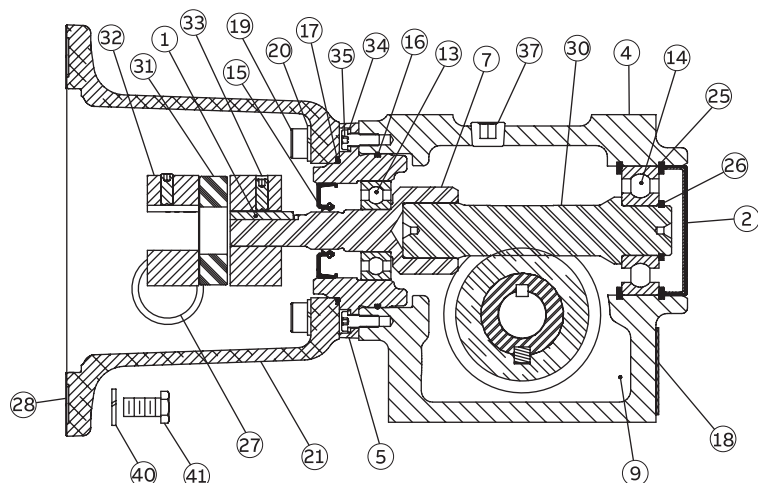
Ref. no.	Description	Qty.	30	32	35	40	47
			Part number	Part number	Part number	Part number	Part number
1	Input key	1	333831	333831	333826	334561	334561
2	Internal retainer ring	2	411637-02-AC	411637-02-AC	278717	051334	051335
3	I/P ribbed bore plug	1	335602	335602	335604 (3)	335610	335613
4	O-Ring	1	276357	276357	336367	334313	334315
5	Tigear®-2 hollow gearcase	1	333224	336053	335702 (3)	334507	334577
6	T2 I/P bearing carrier	1	333250	333250	333253	334508	334508
7	T2 hollow bearing housing	1	333286	333286	333287	334512	334582
8	Tigear-2 sep input coupling	1	(2)	(2)	(2)	(2)	(2)
9	Hollow output shaft	1	333635	333635	333636	334556	334621
10	H/O gear key	1	333712	333712	333717	334564	334624
11	Tigear-2 lubricant (5)	1	334862	334862	334862	334862	334862 (4)
12	Hollow O/P spacer	2	333739	333739	333740	334566	334626
13	L hex head cap screw plain	2	333807	333807	333807	333807	333807
14-15	Bearing cup/cone assembly	2	335341	335341	335341	335342	335343
16	Ball bearing	1	BG6207B01	BG6207B01	BG6208B01	BG6210B01	BG6210B01
17	Ball bearing	1	334222	334222	334223	334224	334225
18	Input seal	1	334272	334272	334272	334274	334274
19	O-Ring, Nitrile	1	334303	334303	334314	334314	334314
20	Tigear-2 nameplate	1	334305	334305	334305	334305	334305
21	Medium lockwasher	2	419009	419009	419009	419009	419009
22-24	Shim kit	1	335333	335333	335333	335334	335335
25	External retainer ring	1	641163702AR	641163702AR	411637-02-BA	334404	333933
26	Wormshaft (1)	1	-	-	-	-	-
27	Worm gear (1)	1	-	-	-	-	-
28	Medium lockwasher	2	419009	419009	419009	419009	419009
29	Set screw	2	400140	400140	400140	400140	275953
30	Hex head cap screw	2	53204	53204	411396	411396	411402
31	Pipe plug 1/4" Soc.	2	411647-34-B	411647-34-B	411647-34-B	411647-34-B	411647-34-B
32	Set screw	4	275954	275954	275954	333805	333805
33	Medium lockwasher	4	275855	275855	275855	419036	419036
34	Hex head cap screw	4	51952	51952	51952	032018016EJ	032018016EJ
35	Output seal T2	2	334279	334279	334279	334280	904286
36	Key, output	1	333709	333709	333709	334563	334623

(1) Contact Dodge® renewal parts.
 (2) Input coupling adapter is assembled to wormshaft. Contact Dodge renewal parts.
 (3) Dodge changed the gearcase end to be enclosed instead of having an input bore plug. For units built before this change, use the input bore plug part number shown.
 When replacing original gearcase, order current gearcase.
 (4) Size 47 requires 164 oz. of lubricant. Order qty. 1 (gal.) **334862** and qty. 2 (qt.) **334863**.
 (5) For exact oil volumes – see page 177.

Metric Reducers – Ratings & Dimensions
 Ratio multiplier
 Accessories
 Competitor interchange
 Renewal parts
 Part number index

Tigear®-2 with 3-piece coupled input / solid output

Sizes 13 - 26



Ref. no.	Description	Qty.	13	15	17	20 / 21B	23	26
			Part number	Part number	Part number	Part number	Part number	Part number
1	Input key	1	333831	333831	333831	333831	333831	333831
2	I/P bore plug	1	335603	335603	335600 (3)	335600 (3)	335601 (3)	335609 (3)
3	O-Ring	1	336366	336366	335508	276355	334312	454787
4	Tigear®-2 solid gearcase	1	333210	333211	335687 (3)	335688 (3) 336068 (4)	335875 (3)	335690 (5)
5	T2 I/P bearing carrier	1	333245	333245	333246	333246	333249	333249
6	T2 Solid bearing housing	1	333265	333265	333266	333267	333268	333269
7	Tigear-2 input coupling adapter	1	(1)	(1)	(1)	(1)	(1)	(1)
8	Solid gear key	1	333650	333661	333666	333671	333686	333696
9	Tigear-2 lubricant (5)	1	334863	334863	334863	334863	334863	334863
10	Solid spacer	2	333725	333726	333727	333728	333729	333730
11-12	Bearing cup/cone assembly	2	335337	335337	641162601C	641162601A	641162601A	641162601A
13	Ball bearing	1	BG6203B01	BG6203B01	BG6205B01	BG6205B01	BG6206B01	BG6206B01
14	Ball bearing	1	334218	334218	334219	334219	334220	334221
15	Tigear-2 seal, input	1	334270	334270	334271	334271	334272	334272
16	O-Ring, Nitrile	1	334300	334300	334300	334300	334303	334303
17	O-Ring, Nitrile	1	334304	334304	334304	334304	276355	276355
18	Tigear-2 nameplate	1	334305	334305	334305	334305	334305	334305
19	Cap screw 56-140	4	032130010BB	032130010BB	032130010BB	032130010BB	032130012CB	032130012CB
	Socket head cap screw 180-210	1	-	032130012CB	032130012CB	032130012CB	-	032130012CB
20	Medium lockwasher	4	333781	333782	333782	333782	333782	333782
21	Motor adapter 56-140	1	335716	335716	335716	335716	333237	333237
	Motor adapter 180-210	1	-	334683	-	-	334683	334683
22-24	Shim kit	1	41164246E	41162333A	41162333A	641162333B	641162333B	641162333B
25	Internal retainer ring	2	411637-02-AV	58256	58256	58256	411637-01-A	278715
26	External retainer ring	1	641163702E	411637-02-AY	411637-02-AY	411637-02-AY	411637-02-N	411637-02-AP
27	Dust cap 1" hole	1	411709-65-H	411709-65-H	411709-65-H	411709-65-H	411709-65-H	411709-65-H
	Dust cap 1" hole (Outer)	1	411709-65-N	411709-65-N	411709-65-N	411709-65-N	411709-65-N	411709-65-N

- (1) Input coupling adapter is assembled to wormshaft. Contact Dodge renewal parts.
- (2) Contact Dodge renewal parts.
- (3) Dodge changed the gearcase end to be enclosed instead of having an input bore plug. For units built before this change, use the input bore plug part number shown.
When replacing original gearcase, order current gearcase.
- (4) 21B gearcase.
- (5) For exact oil volumes – see page 177.

Metric Reducers – Ratings & Dimensions

Ratio multiplier

Accessories

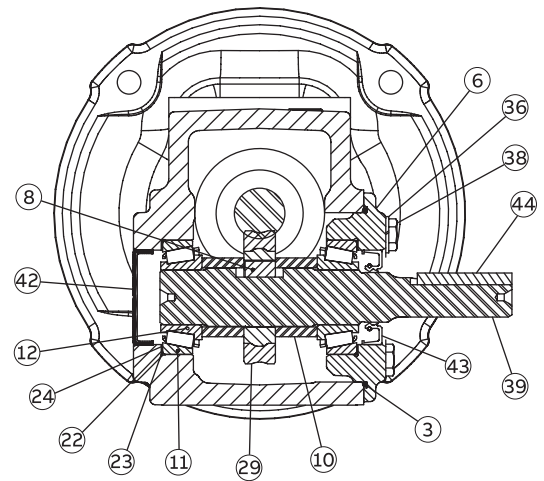
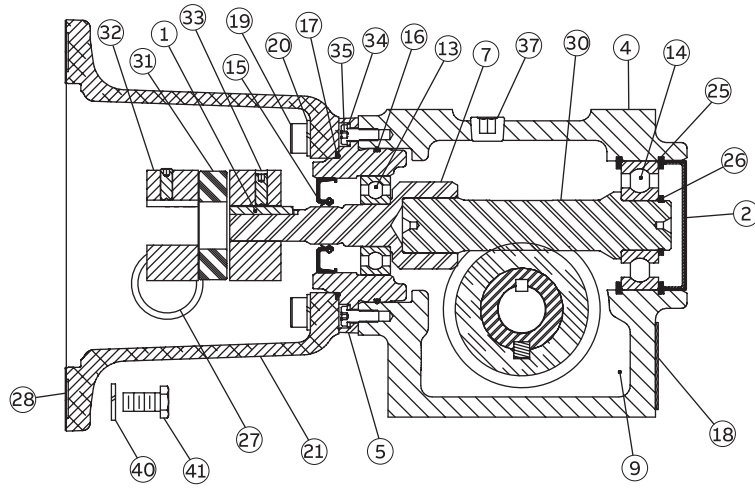
Competitor interchange

Renewal parts

Part number index

Tigear®-2 with 3-piece coupled input / solid output

Sizes 13 - 26



Ref. no.	Description	Qty.	13	15	17	20 / 21B	23	26
			Part number	Part number	Part number	Part number	Part number	Part number
28	56/140 motor adapter gasket	1	602028-43-F	602028-43-F	602028-43-F	602028-43-F	602028-43-F	602028-43-F
	Motor adapter gasket 180-210	1	-	-	-	-	276335	276335
29	Solid gear (2)	1	-	-	-	-	-	-
30	Wormshaft (2)	1	-	-	-	-	-	-
31	Coupling spider 56 motor	1	278911	278911	278911	278911	278911	278911
	Coupling spider 140 motor	1	-	-	278912	278912	278912	278912
	Coupling spider 180 motor	1	-	-	-	-	275794	275794
32	5/8 coupling, 56 motor	1	278900	278900	278900	278900	278900	278900
	7/8 coupling, 140 motor	1	-	-	276169	276169	276169	276169
	1-1/8 coupling, 180 motor	1	-	-	-	-	278907	278907
33	Coupling hub, reducer 56	1	334309	334309	278900	278900	278901	278901
	Coupling hub, reducer 140	1	-	-	334306	334306	276169	276169
	Coupling hub, reducer 180	1	-	-	-	-	275806	275806
34	Medium lockwasher	2	419007	419007	419007	419007	419009	419009
35	L hex head cap screw plain	2	333808	333808	333808	333808	333807	333807
36	Medium lockwasher	4	419009	419009	419010	419010	275803	275803
37	Pipe plug 1/4" socket (1)	2	411647-34-B	411647-34-B	411647-34-B	411647-34-B	411647-34-B	411647-34-B
38	Hex head cap screw	4	51302	51302	411405	411405	051929	051929
39	O/P shaft, single extension	1	333604	333605	333606	333607	333608	333609
40	Lockwasher 56-140	4	275803	275803	275803	275803	275803	275803
41	Hex head cap screw plain ZC 56-140	4	051929	051929	051929	051929	051929	051929
	Socket head cap screw 180	4	-	-	-	-	411631-58-X	411631-58-X
42	Bore plug	1	335605	335605	335606	335608	335608	335608
43	Tig2 seal, output	1	334271	334271	334272	334273	334273	334273
44	Key, output	1	333665	333660	333665	333827	333685	333695

(1) Input coupling adapter is assembled to wormshaft. Contact Dodge renewal parts.

(2) Contact Dodge renewal parts.

(3) Dodge changed the gearcase end to be enclosed instead of having an input bore plug. For units built before this change, use the input bore plug part number shown.

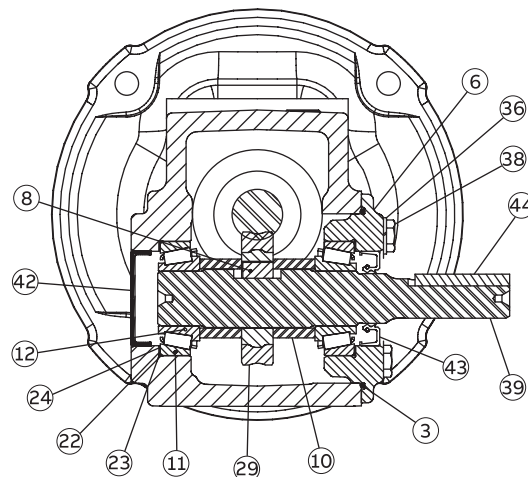
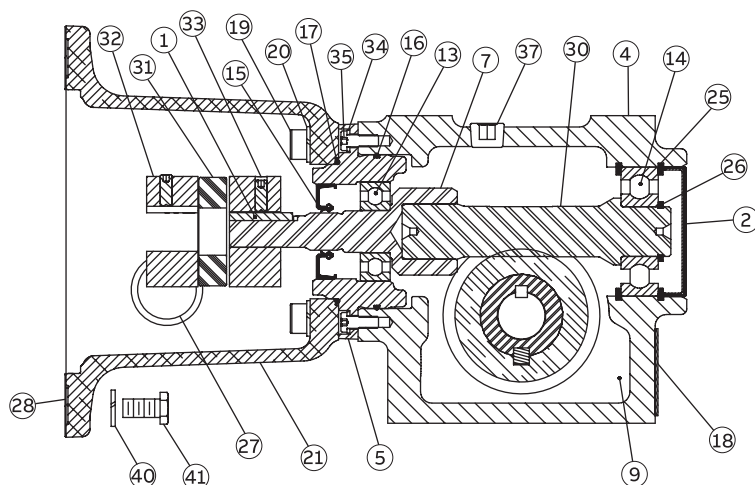
When replacing original gearcase, order current gearcase.

(4) Original bearing. For bearing on units built after September 8, 2015, contact Dodge renewal parts.

Metric Reducers - Ratings & Dimensions
Ratio multiplier
Accessories
Competitor Interchange
Renewal parts
Part number index

Tigear-2® with 3-piece coupled input / solid output

Sizes 30 - 47



Ref. no.	Description	Qty.	30	32	35	38	40	47
			Part number	Part number	Part number	Part number	Part number	Part number
1	Input key	1	333831	333831	333826	333826	334561	334561
2	I/P Ribbed B/P	1	335602 (5)	-	335604 (5)	-	335610	335613
3	O-Ring	1	276357	276357	336367	336367	334313	334315
4	Tigear®-2 solid gearcase	1	335895 (5)	336052	335692 (5)	336055	334506	334576
5	T2 I/P bearing carrier	1	333250	333250	333253	333253	334508	334508
6	T2 Solid bearing housing	1	333270	333270	333271	336074	334510	334580
7	Tigear-2 input coupling adapter	1	(3)	(3)	(3)	(3)	(3)	(3)
8	Solid gear key	1	333706	333706	333775	333717	334564	334624
9	Tigear-2 lubricant (6)	1	334862	334862	334862	334862	334862	334862 (2)
10	Solid spacer	2	333731	333731	333732	333740	334565	334625
11-12	Bearing cup/cone assembly	2	335338	335338	-	335341	335340	335344
11	Bearing cone	2	-	-	411626-05-F	-	-	-
12	Bearing cup	2	-	-	411626-06-F	-	-	-
13	Ball bearing	1	BG6207B01	BG6207B01	BG6208B01	BG6208B01	334216	334216
14	Ball bearing	1	334222	334222	334223	334223	334224	334225
15	Tigear-2 input seal	1	334272	334272	334272	334272	334274	334274
16	O-Ring, Nitrile	1	334303	334303	334314	334314	334314	334314
17	O-Ring, Nitrile	1	276355	276355	276355	276355	276355	276355
18	Tigear-2 nameplate	1	334305	334305	334305	334305	334305	334305
19	Cap screw 56-140	4	032130012CB	032130012CB	334895	334895	334895	-
	Socket head cap screw 180-250	1	032130012CB	032130012CB	032130014ZB	032130014ZB	032130014ZB	032130014ZB
20	Medium lockwasher	4	333782	333782	275855	275855	333783	333783
21	Motor adapter 56-140	1	333237	333237	335722	335722	335722	-
	Motor adapter 180	1	334683	334683	335724	335724	335724	335724
	Motor adapter plate bolt-on 210 (1)	1	-	-	334571	334571	334571	334571
	Motor adapter plate bolt-on 250 (1)	1	-	-	-	-	334570	334570
22-24	Shim kit	1	335330	335330	641162333C	335333	335331	335336
25	Internal retainer ring	2	411637-02-AC	411637-02-AC	278717	278717	051334	051335
26	External retainer ring	1	641163702AR	641163702AR	411637-02-BA	411637-02-BA	334404	333933
27	Dust cap 1" hole	1	411709-65-H	411709-65-H	086379	086379	086379	086379
	Dust cap 1" hole (Outer)		411709-65-N	411709-65-N				
28	56/140 Motor adapter gasket	1	602028-43-F	602028-43-F	602028-43-F	602028-43-F	602028-43-F	-
	Motor adapter gasket 180-250	1-2	276335	276335	276335	276335	276335	276335

(1) Adapter plate bolts onto 180 adapter 334683.

(2) Size 47 requires 176 oz. of lube. Order qty 1 (gal.) **334862** and qty 2 (qt.) **334863**

(3) Input coupling adapter is assembled to wormshaft. Contact Dodge renewal parts.

(4) Contact Dodge renewal parts.

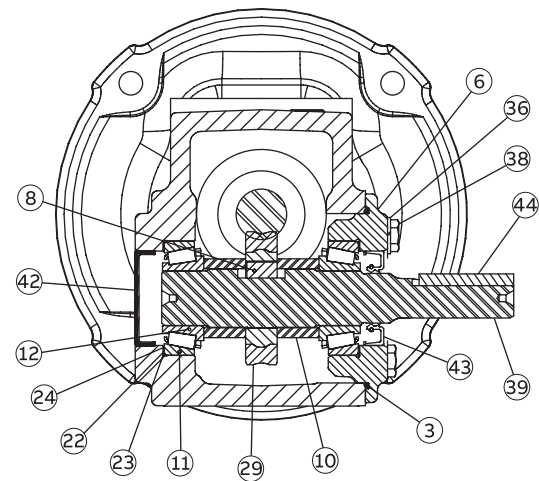
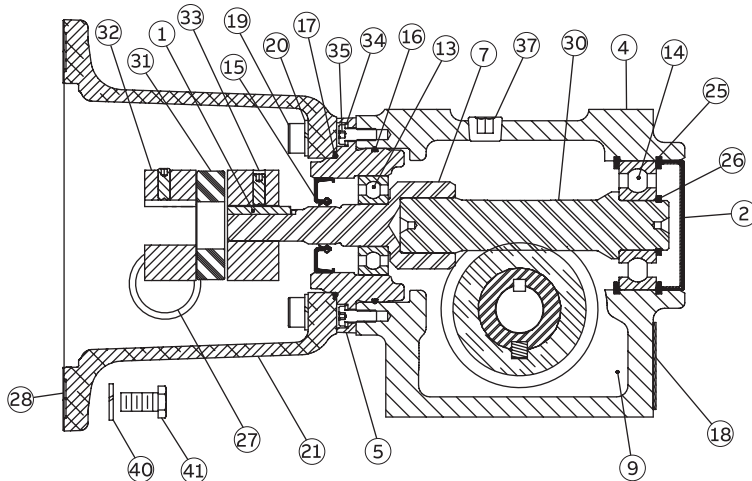
(5) Dodge changed the gearcase end to be enclosed instead of having an input bore plug. For units built before this change, use the input bore plug part number shown.

When replacing original gearcase, order current gearcase.

(6) For exact oil volumes – see page 177.

Tigear®-2 with 3-piece coupled input / solid output

Sizes 30 - 47



Ref. no.	Description	Qty.	30	32	35	38	40	47
			Part number	Part number	Part number	Part number	Part number	Part number
29	Solid gear (4)	1	-	-	-	-	-	-
30	Wormshaft (4)	1	-	-	-	-	-	-
31	Coupling spider 56 motor	1	278911	278911	278912	278912	-	-
	Coupling spider 140 motor	1	278912	278912	278912	278912	275794	-
	Coupling spider 180 motor	1	275794	275794	275794	275794	275794	275794
	Coupling spider 210-250 motor	1	-	-	334291	334291	334291	334291
32	5/8 Coupling, 56 motor	1	278900	278900	334306	334306	-	-
	7/8 Coupling, 140 motor	1	276169	276169	276169	276169	278907	-
	1-1/8 Coupling, 180 motor	1	278907	278907	278907	278907	278907	278907
	1-3/8 Coupling, 210 motor	1	-	-	334286	334286	334286	334286
33	1-5/8 Coupling, 250 motor	1	-	-	-	-	334288	334288
	Coupling hub, reducer 56	1	278901	278901	276169	276169	-	-
	Coupling hub, reducer 140	1	276169	276169	276169	276169	275806	-
	Coupling hub, reducer 180	1	275806	275806	275806	275806	278907	278907
34	Coupling hub, reducer 210-250	1	-	-	334285	334285	334290	334290
	Medium lockwasher	2	419009	419009	419009	419009	419009	419009
35	L hex head cap screw plain	2	333807	333807	333807	333807	333807	333807
36	Medium lockwasher	4	275855	275855	275855	275855	419036	419036
37	Pipe plug 1/4" socket	1	411647-34-B	411647-34-B	411647-34-B	411647-34-B	411647-34-B	411647-34-B
38	Hex head cap screw	4	51952	51952	51952	51952	411483	032018016EJ
39	O/P Shaft, single extension	1	333610	333610	333611	336070	334554	334619
40	Lockwasher 56-140	4	275803	275803	275803	275803	275803	-
	Lockwasher 180-250	4	-	-	275853	275853	275853	275853
41	Hex head cap screw plain zinc 56-140		051929	051929	051929	051929	051929	-
	Socket head cap screw 180	4	411631-58-X	411631-58-X	334900	334900	334900	334900
	Hex head cap screw 210	4	-	-	334902	334902	334902	334902
42	Hex head cap screw 250	4	-	-	-	-	334901	334901
	O/P Bore plug	1	335607	335607	335614	335604	335611	335612
43	Tigear-2 seal, output	1	334274	334274	334275	242113	334277	334278
44	Key, output	1	333705	333705	333829	333829	333829	333829

- (1) Adapter plate bolts onto 180 adapter 334683.
- (2) Size 47 requires 266 oz. of lube. Order qty 1 (gal.) **334862** and qty 2 (qt.) **334863**
- (3) Input coupling adapter is assembled to wormshaft. Contact Dodge renewal parts.
- (4) Contact Dodge renewal parts.
- (5) Dodge changed the gearcase end to be enclosed instead of having an input bore plug. For units built before this change, use the input bore plug part number shown.
When replacing original gearcase, order current gearcase.
- (6) For exact oil volumes – see page 177.

Metric Reducers – Ratings & Dimensions

Ratio multiplier

Accessories

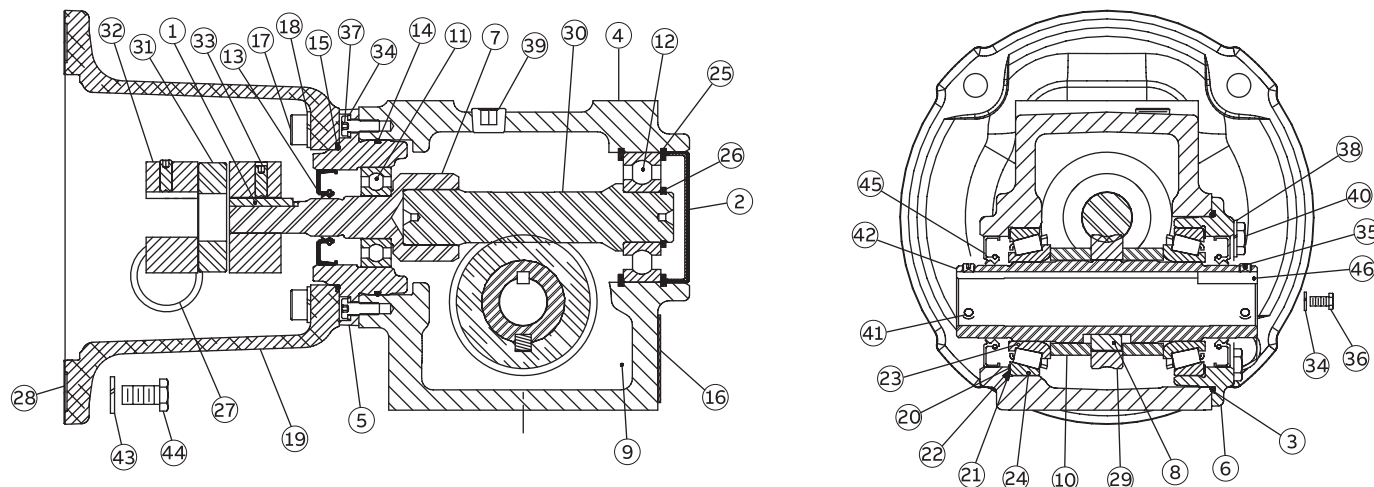
Competitor Interchange

Renewal parts

Part number index

Tigear®-2 with 3-piece coupled input / hollow output

Sizes 13 - 26



Ref. no.	Description	Qty.	13	15	17	20	23	26
			Part number	Part number	Part number	Part number	Part number	Part number
1	Input key	1	333830	333830	333831	333831	333831	333831
2	I/P Bore plug	1	335603	335603	335600 (3)	335600 (3)	335601 (3)	335609 (3)
3	O-Ring	1	336366	336366	335508	276355	334312	454787
4	Tigear®-2 hollow gearcase	1	333218	333219	335697 (3)	335698 (3)	335877 (3)	335700 (3)
5	T2 I/P bearing carrier	1	333245	333245	333246	333246	333249	333249
6	T2 Hollow bearing housing	1	333281	333281	333282	333283	333284	333285
7	Tigear-2 separate input coupling	1	(2)	(2)	(2)	(2)	(2)	(2)
8	H/O Gear key	1	333650	333650	333666	333671	333686	333670
9	Tigear-2 lubricant (4)	1	334863	334863	334863	334863	334863	334863
10	Hollow O/P spacer	2	333733	333734	333735	333736	333737	333738
11	Ball bearing	1	BG6203B01	BG6203B01	BG6205B01	BG6205B01	BG6206B01	BG6206B01
12	Ball bearing	1	334218	334218	334219	334219	334220	334221
13	Input seal	1	334270	334270	334271	334271	334272	334272
14	O-Ring, Nitrile	1	334300	334300	334300	334300	334303	334303
15	O-Ring, Nitrile	1	334304	334304	334304	334304	276355	276355
16	Tigear-2 nameplate	1	334305	334305	334305	334305	334305	334305
17	Cap screw 56-180	4	032130010BB	032130010BB	032130010BB	032130010BB	032130012CB	032130012CB
	Socket head cap screw 210-250	4	-	-	-	-	-	032130012CB
18	Medium lockwasher	4	333781	333781	333781	333781	333782	333782
19	Motor adapter 56-140	1	335716	335716	335716	335716	333237	333237
	Motor adapter 180-210	1	-	-	-	-	334683	334683
20-22	Shim kit	1	641162333B	641162333B	335330	641162333C	335331	335332
23-24	Bearing cup/cone assembly	2	641162601A	641162601A	335338	335339	335340	41162601BJ
25	Internal retainer ring	1-2	411637-02-AV	411637-02-AV		58256	411637-01-A	278715
26	External retainer ring	1	641163702E	641163702E	411637-02-AY	411637-02-AY	411637-02-N	411637-02-AP
27	Dust cap 1" hole	1	411709-65-H	411709-65-H	411709-65-H	411709-65-H	411709-65-H	411709-65-H
	Dust cap 1" hole (outer)	1	411709-65-N	411709-65-N	411709-65-N	411709-65-N	411709-65-N	411709-65-N

(1) Contact Dodge renewal parts.

(2) Input coupling adapter is assembled to wormshaft. Contact Dodge renewal parts.

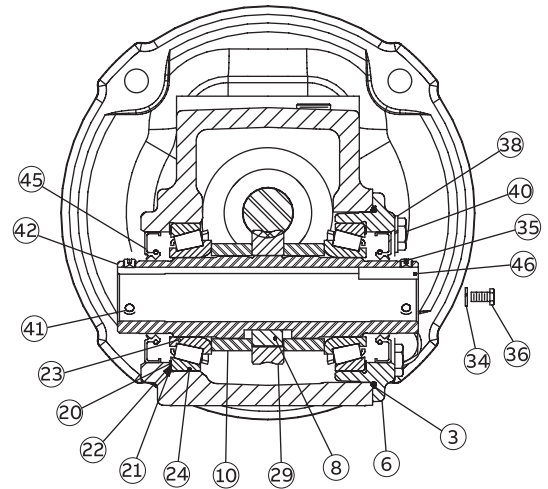
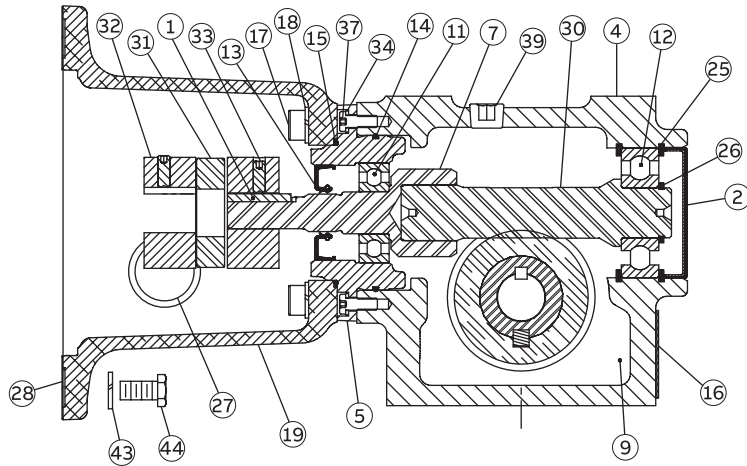
(3) Dodge changed the gearcase end to be enclosed instead of having an input bore plug. For units built before this change, use the input bore plug part number shown.

When replacing original gearcase, order current gearcase.

(4) For exact oil volumes - see page 177.

Tigear® -2 with 3-piece coupled input / hollow output

Sizes 13 - 26



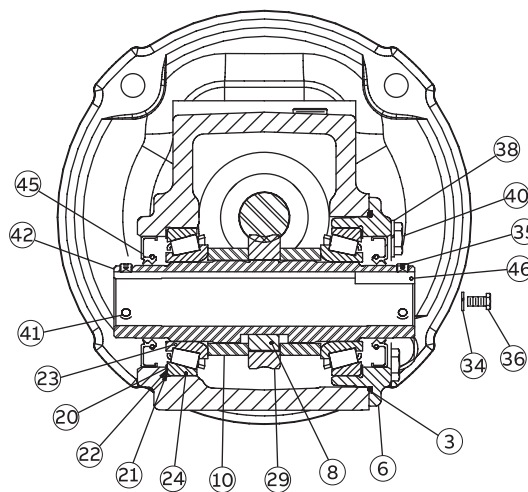
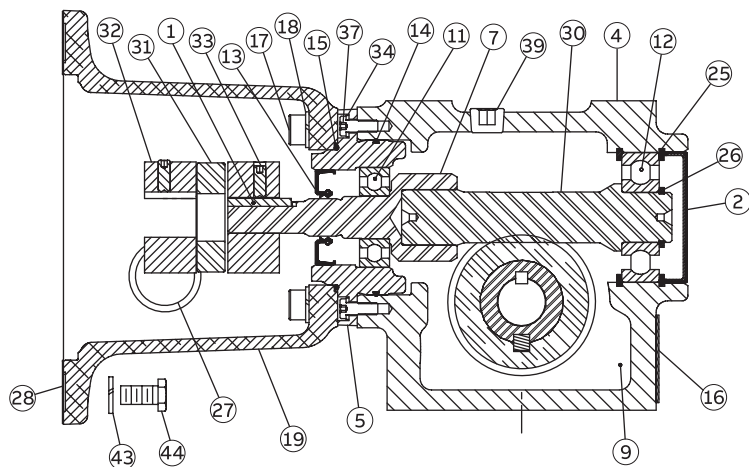
Ref. no.	Description	Qty.	13	15	17	20	23	
			Part number	Part number	Part number	Part number	Part number	Part number
28	56/140 Motor adapter gasket	1	602028-43-F	602028-43-F	602028-43-F	602028-43-F	602028-43-F	602028-43-F
	Motor adapter gasket 180-210	1	-	-	-	-	276335	276335
29	Hollow worm gear (1)	1	-	-	-	-	-	-
30	Wormshaft (1)							
31	Spider 56C	1	278911	278911	278911	278911	278911	278911
	Spider 140TC	1	-	-	278912	278912	278912	278912
	Spider 180TC		-	-	-	-	275794	275794
32	5/8 coupling hub-motor 56C	1	278900	278900	278900	278900	278900	278900
	7/8 Coupling hub - motor 140TC	1	-	-	-	-	276169	276169
	1-1/8 coupling hub -motor 180TC	1	-	-	-	-	278907	278907
33	Coupling - Reducer 56	1	334309	334309	278900	278900	278900	278901
	Coupling - Reducer 140	1	-	-	334306	334306	276169	276169
	Coupling - Reducer 180		-	-	-	-	275806	275806
34	Medium lockwasher	4	419007	419007	419007	419007	419009	419009
35	Set screw	2	400140	400140	400140	400140	400140	400140
36	Hex head cap screw	2	58270	58270	333800	333800	51302	51302
37	L hex head cap screw plain	2	333808	333808	333808	333808	333807	333807
38	Medium lockwasher	4	419009	419009	419010	419010	275803	275803
39	Pipe plug 1/4" socket	2	411647-34-B	411647-34-B	411647-34-B	411647-34-B	411647-34-B	411647-34-B
40	Hex head cap screw	4	51302	51302	411405	411405	51929	51929
41	Set screw	4	275953	275953	275953	275953	275953	275962
42	Hollow output shaft	1	333629	333629	333631	334789	333633	333634
43	Lockwasher 56-140	4	275803	275803	275803	275803	275803	275803
44	Hex head cap screw plain Zc 56-140	4	051929	051929	051929	051929	051929	051929
	Socket head cap screw 180	4	-	-	-	-	411631-58-X	411631-58-X
45	Output seal T2	2	334273	334273	334274	334276	334277	334278
46	Key, output	2	333831	333831	334897	333827	333687	333687

- (1) Contact Dodge renewal parts.
- (2) Input coupling adapter is assembled to wormshaft. Contact Dodge renewal parts.
- (3) Dodge changed the gearcase end to be enclosed instead of having an input bore plug. For units built before this change, use the input bore plug part number shown.
When replacing original gearcase, order current gearcase.
- (4) For exact oil volumes – see page 177.

Metric Reducers – Ratings & Dimensions
Ratio multiplier
Accessories
Competitor interchange
Renewal parts
Part number index

Tigear®-2 with 3-piece coupled input / hollow output

Sizes 30 - 47



Ref. no.	Description	Qty.	30	32	35	40	47
			Part number	Part number	Part number	Part number	Part number
1	Input key	1	333831	333831	333826	334561	334561
2	I/P bore plug	1	335602 (3)	-	335604 (3)	335610	335613
3	O-Ring	1	276357	276357	336367	334313	334315
4	Tigear® hollow gearcase	1	333224 (3)	336053	335702 (3)	334507	334577
5	T2 I/P bearing carrier	1	333250	333250	333253	334508	334508
6	T2 Hollow bearing housing	1	333286	333286	333287	334512	334582
7	Tigear-2 sep input coupling	1	(2)	(2)	(2)	(2)	(2)
8	H/O gear key	1	333712	333712	333717	334564	334624
9	Tigear-2 lubricant (5)	1	334862	334862	334862	334862	334862 (4)
10	Hollow O/P spacer	2	333739	333739	333740	334566	334626
11	Ball bearing	1	BG6207B01	BG6207B01	BG6208B01	BG6210B01	BG6210B01
12	Ball bearing	1	334222	334222	334223	334224	334225
13	Input seal	1	334272	334272	334272	334274	334274
14	O-Ring, Nitrile	1	334303	334303	334314	334314	334314
15	O-Ring, Nitrile	1	276355	276355	276355	276355	276355
16	Tigear-2 nameplate	1	334305	334305	334305	334305	334305
17	Cap screw 56-140	4	032130012CB	032130012CB	334895	334895	-
	Socket head cap screw 180-250	1	032130012CB	032130012CB	032130014ZB	032130014ZB	032130014ZB
18	Medium lockwasher		333782	333782	275855	333783	333783
	Motor adapter 56-140	1	333237	333237	335722	335722	-
19	Motor adapter 180	1	334683	334683	335724	335724	335724
	Motor adapter plate bolt-on 210	1	-	-	334571	334571	334571
	Motor adapter plate bolt-on 250	1	-	-	-	334570	334570
20-22	Shim kit	1	335333	335333	335333	335334	335335
23-24	Bearing cup/cone assembly	2	335341	335341	335341	335342	335343
25	Internal retainer Ring	2	411637-02-AC	411637-02-AC	278717	051334	051335
26	External retainer Ring	1	641163702AR	641163702AR	411637-02-BA	334404	333933
27	Dust cap 1" hole	1	411709-65-H	411709-65-H	411709-65-H	411709-65-H	411709-65-H
	Dust cap 1" hole (outer)	1	411709-65-N	411709-65-N	411709-65-N	411709-65-N	411709-65-N
28	56/140 Motor adapter gasket		602028-43-F	602028-43-F	602028-43-F	602028-43-F	
	Motor adapter gasket 180-250	1	276335	276335	276335	276335	276335
29	Wormshaft (1)	1	-	-	-	-	-
30	Worm gear (1)	1	-	-	-	-	-

(1) Contact Dodge renewal parts.

(2) Input coupling adapter is assembled to wormshaft. Contact Dodge renewal parts.

(3) Dodge changed the gearcase end to be enclosed instead of having an input bore plug. For units built before this change, use the input bore plug part number shown.

When replacing original gearcase, order current gearcase.

(4) Size 47 requires 164 oz. of lubricant. Order qty. 1 (gal.) **334862** and qty. 2 (qt.) **334863**.

(5) For exact oil volumes – see page 177.

Metric Reducers – Ratings & Dimensions

Ratio multiplier

Accessories

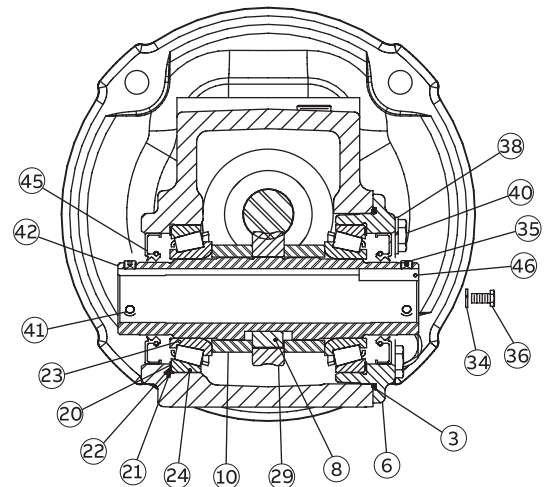
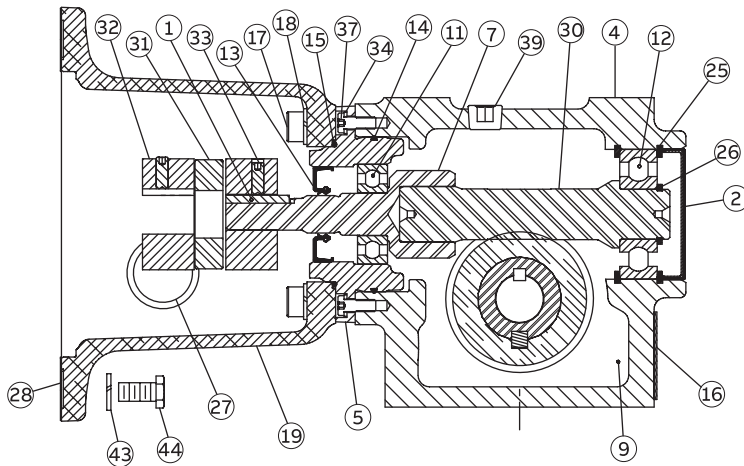
Competitor interchange

Renewal parts

Part number index

Tigear®-2 with 3-piece coupled input / hollow output

Sizes 30 - 47



Ref. no.	Description	Qty.	30	32	35	40	47
			Part number	Part number	Part number	Part number	Part number
31	Coupling spider 56 motor	1	278911	278912	278912	-	-
	Coupling spider 140 motor	1	278912	275794	275794	275794	-
	Coupling spider 180 motor	1	275794	275794	275794	275794	275794
	Coupling spider 210-250 motor	1	-	-	334291	334291	334291
32	5/8 Coupling hub - motor 56 motor	1	278900	278900	334306	-	-
	7/8 Coupling hub-motor 140 motor	1	-	-	276169	278907	-
	1-1/8 Coupling hub-motor 180 motor	1	278907	278907	278907	278907	278907
	1-3/8 Coupling hub-motor 210 motor	1	-	-	334286	334286	334286
	1-5/8 Coupling hub-motor 250 motor	1	-	-	-	334288	334288
33	Coupling hub, reducer 56	1	278901	278901	276169	-	-
	Coupling hub, reducer 140	1	276169	276169	276169	275806	-
	Coupling hub, reducer 180	1	275806	275806	275806	278907	278907
	Coupling hub, reducer 210-250	1	-	-	334285	334290	334290
34	Medium lockwasher	4	419009	419009	419009	419009	419009
35	Set screw	2	400140	400140	400140	400140	275953
36	Hex head cap screw	2	53204	53204	411396	411396	411402
37	L hex head cap screw plain	2	333807	333807	333807	333807	333807
38	Medium lockwasher	4	275855	275855	275855	419036	419036
39	Pipe plug 1/4" socket	2	411647-34-B	411647-34-B	411647-34-B	411647-34-B	411647-34-B
40	Hex head cap screw	4	51952	51952	51952	411483	032018016EJ
41	Set screw	4	275954	275954	275954	333805	333805
42	Hollow output shaft		333635	333635	333636	334556	334621
43	Lockwasher 56-140	4	275803	275803	275803	275803	275803
	Lockwasher 180-210	4	-	-	275853	275853	275853
	Lockwasher 250	4	-	-	275853	275853	275853
	Hex head cap screw 56-140	4	51929	51929	51929	51929	-
44	Socket head cap screw 180	4	411631-58-X	411631-58-X	334900	334900	334900
	Hex head cap screw 210	4	-	-	334902	334902	334902
	Hex head cap screw 250	4	-	-	-	334901	334901
45	Output seal T2	2	334279	334279	334279	334280	904286
46	Key, output	1	333709	333709	333709	334563	334623

- (1) Contact Dodge renewal parts.
- (2) Input coupling adapter is assembled to wormshaft. Contact Dodge renewal parts.
- (3) Dodge changed the gearcase end to be enclosed instead of having an input bore plug. For units built before this change, use the input bore plug part number shown.
When replacing original gearcase, order current gearcase.
- (4) Size 47 requires 164 oz. of lubricant. Order qty. 1 (gal.) **334862** and qty. 2 (qt.) **334863**.
- (5) For exact oil volumes – see page 177.

Metric Reducers – Ratings & Dimensions
Ratio multiplier
Accessories
Competitor interchange
Renewal parts
Part number index

Part number index

Part number	Page	Part Number	Page	Part number	Page	Part number	Page
13A05H14	24	13AHBRGKIT	230, 235	13Q07H56	20	13QZ15H56	104
13A05H56	24	13AHSERVICEKIT	230	13Q07L56	20	13QZ15L56	104
13A05L14	24	13ASBRGKIT	230, 235	13Q07LR56	20	13QZ15LR56	104
13A05L56	24, 180, 192, 210	13ASSERVICEKIT	230	13Q07R56	20	13QZ15R56	104
13A05LR14	24	13AZ05H56	105	13Q10H56	20	13QZ20H56	104
13A05LR56	24, 180, 192, 210	13AZ05L56	105	13Q10L56	20, 180, 191, 209	13QZ20L56	104
13A05R56	24, 180, 192, 210	13AZ05LR56	105	13Q10LR56	20, 180, 191, 209	13QZ20LR56	104
13A05RL14	24	13AZ05R56	105	13Q10R56	20, 180, 191, 209	13QZ20R56	104
13A07H14	24	13AZ07H56	105	13Q15H56	20	13QZ25H56	104
13A07H56	24	13AZ07L56	105	13Q15L56	20, 180, 191, 209	13QZ25L56	104
13A07L14	24	13AZ07LR56	105	13Q15LR56	20, 180, 191, 209	13QZ25LR56	104
13A07L56	24	13AZ07R56	105	13Q15R56	20, 180, 191, 209	13QZ25R56	104
13A07LR14	24	13AZ10H56	105	13Q20H56	20	13QZ30H56	104
13A07LR56	24	13AZ10L56	105	13Q20L56	20, 180, 191, 209	13QZ30L56	104
13A07R56	24	13AZ10LR56	105	13Q20LR56	20, 180, 191, 209	13QZ30LR56	104
13A07RL14	24	13AZ10R56	105	13Q20R56	20, 180, 191, 209	13QZ30R56	104
13A10H14	24	13AZ15H56	105	13Q25H56	20	13QZ40H56	104
13A10H56	24	13AZ15L56	105	13Q25L56	20, 180, 191, 209	13QZ40L56	104
13A10L14	24	13AZ15LR56	105	13Q25LR56	20, 180, 191, 209	13QZ40LR56	104
13A10L56	24, 180, 192, 210	13AZ15R56	105	13Q25R56	20, 180, 191, 209	13QZ40R56	104
13A10LR14	24	13AZ20H56	105	13Q30H56	20	13QZ50H56	104
13A10LR56	24, 180, 192, 210	13AZ20L56	105	13Q30L56	20, 180, 191, 209	13QZ50L56	104
13A10R56	24, 180, 192, 210	13AZ20LR56	105	13Q30LR56	20, 180, 191, 209	13QZ50LR56	104
13A10RL14	24	13AZ20R56	105	13Q30R56	20, 180, 191, 209	13QZ50R56	104
13A15H56	24	13AZ25H56	105	13Q40H56	20	13QZ60H56	104
13A15L56	24, 180, 192, 210	13AZ25L56	105	13Q40L56	20, 180, 191, 209	13QZ60L56	104
13A15LR56	24, 180, 192, 210	13AZ25LR56	105	13Q40LR56	20, 180, 191, 209	13QZ60LR56	104
13A15R56	24, 180, 192, 210	13AZ25R56	105	13Q40R56	20, 180, 191, 209	13QZ60R56	104
13A20H56	24	13AZ30H56	105	13Q50H56	20	13RISER	160
13A20L56	24, 180, 192, 210	13AZ30L56	105	13Q50L56	20, 180, 191, 209	13S05H	22
13A20LR56	24, 180, 192, 210	13AZ30LR56	105	13Q50LR56	20, 180, 191, 209	13S05L	22
13A20R56	24, 180, 192, 210	13AZ30R56	105	13Q50R56	20, 180, 191, 209	13S05LR	22
13A25H56	24	13AZ40H56	105	13Q60H56	20	13S05R	22
13A25L56	24, 180, 192, 210	13AZ40L56	105	13Q60L56	20, 180, 191, 209	13S07H	22
13A25LR56	24, 180, 192, 210	13AZ40LR56	105	13Q60LR56	20, 180, 191, 209	13S07L	22
13A25R56	24, 180, 192, 210	13AZ40R56	105	13Q60R56	20, 180, 191, 209	13S07LR	22
13A30H56	24	13AZ50H56	105	13QHBRGKIT	229, 235	13S07R	22
13A30L56	24, 180, 192, 210	13AZ50L56	105	13QHSERVICEKIT	229	13S10H	22
13A30LR56	24, 180, 192, 210	13AZ50LR56	105	13QSBRGKIT	229, 235	13S10L	22
13A30R56	24, 180, 192, 210	13AZ50R56	105	13QSSERVICEKIT	229	13S10LR	22
13A40H56	24	13AZ60H56	105	13QZ05H56	104	13S10R	22
13A40L56	24, 180, 192, 210	13AZ60L56	105	13QZ05L56	104	13S15H	22
13A40LR56	24, 180, 192, 210	13AZ60LR56	105	13QZ05LR56	104	13S15L	22
13A40R56	24, 180, 192, 210	13AZ60R56	105	13QZ05R56	104	13S15LR	22
13A50H56	24	13BASE	158	13QZ07H56	104	13S15R	22
13A50L56	24, 180, 192, 210	13BRACKET	173	13QZ07L56	104	13S20H	22
13A50LR56	24, 180, 192, 210	13JMOUNT	159	13QZ07LR56	104	13S20L	22
13A50R56	24, 180, 192, 210	13PLUGIN	174	13QZ07R56	104	13S20LR	22
13A60H56	24	13Q05H56	20	13QZ10H56	104	13S20R	22
13A60L56	24, 180, 192, 210	13Q05L56	20, 180, 191, 209	13QZ10L56	104	13S25H	22
13A60LR56	24, 180, 192, 210	13Q05LR56	20, 180, 191, 209	13QZ10LR56	104	13S25L	22
13A60R56	24, 180, 192, 210	13Q05R56	20, 180, 191, 209	13QZ10R56	104	13S25LR	22

	Part number	Page	Part Number	Page	Part number	Page	Part number	Page
Metric Reducers – Ratings & Dimensions	13S25R	22	15A25H56	30	15AZ40R56	107	15QSBRGKIT	229, 235
	13S30H	22	15A25L56	30, 181, 194, 212	15AZ50H56	107	15QSSERVICEKIT	229
	13S30L	22	15A25LR56	30, 181, 194, 212	15AZ50L56	107	15QZ05H56	106
	13S30LR	22	15A25R56	30, 181, 194, 212	15AZ50LR56	107	15QZ05L56	106
	13S30R	22	15A30H56	30	15AZ50R56	107	15QZ05LR56	106
	13S40H	22	15A30L56	30, 181, 194, 212	15AZ60H56	107	15QZ05R56	106
	13S40L	22	15A30LR56	30, 181, 194, 212	15AZ60L56	107	15QZ07H56	106
	13S40LR	22	15A30R56	30, 181, 194, 212	15AZ60LR56	107	15QZ07L56	106
	13S40R	22	15A40H56	30	15AZ60R56	107	15QZ07LR56	106
	13S50H	22	15A40L56	30, 181, 194, 212	15BASE	158	15QZ07R56	106
Ratio multiplier	13S50L	22	15A40LR56	30, 181, 194, 212	15BRACKET	173	15QZ10H56	106
	13S50LR	22	15A40R56	30, 181, 194, 212	15JMOUNT	159	15QZ10L56	106
	13S50R	22	15A50H56	30	15PLUGIN	174	15QZ10LR56	106
	13S60H	22	15A50L56	30, 181, 194, 212	15Q05H56	26	15QZ10R56	106
	13S60L	22	15A50LR56	30, 181, 194, 212	15Q05L56	26, 181, 193, 211	15QZ15H56	106
	13S60LR	22	15A50R56	30, 181, 194, 212	15Q05LR56	26, 181, 193, 211	15QZ15L56	106
	13S60R	22	15A60H56	30	15Q05R56	26, 181, 193, 211	15QZ15LR56	106
	13SHAFTREV	177	15A60L56	30, 181, 194, 212	15Q07H56	26	15QZ15R56	106
	13TIEROD	162	15A60LR56	30, 181, 194, 212	15Q07L56	26, 181	15QZ20H56	106
	13ZBASE	158	15A60R56	30, 181, 194, 212	15Q07LR56	26, 181	15QZ20L56	106
Accessories	13ZBRACKET	173	15AHBRGKIT	230, 235	15Q07R56	26, 181	15QZ20LR56	106
	13ZJMOUNT	159	15AHSERVICEKIT	230	15Q10H56	26	15QZ20R56	106
	13ZRISER	160	15ASBRGKIT	230, 235	15Q10L56	26, 181, 193, 211	15QZ25H56	106
	15A05H14	30	15ASSERVICEKIT	230	15Q10LR56	26, 181, 193, 211	15QZ25L56	106
	15A05H56	30	15AZ05H56	107	15Q10R56	26, 181, 193, 211	15QZ25LR56	106
	15A05L14	30	15AZ05L56	107	15Q15H56	26	15QZ25R56	106
	15A05L56	30, 181, 194, 212	15AZ05LR56	107	15Q15L56	26, 181, 193, 211	15QZ30H56	106
	15A05LR14	30	15AZ05R56	107	15Q15LR56	26, 181, 193, 211	15QZ30L56	106
	15A05LR56	30, 181, 194, 212	15AZ07H56	107	15Q15R56	26, 181, 193, 211	15QZ30LR56	106
	15A05R14	30	15AZ07L56	107	15Q20H56	26	15QZ30R56	106
Competitor Interchange	15A05R56	30, 181, 194, 212	15AZ07LR56	107	15Q20L56	26, 181, 193, 211	15QZ40H56	106
	15A07H14	30	15AZ07R56	107	15Q20LR56	26, 181, 193, 211	15QZ40L56	106
	15A07H56	30	15AZ10H56	107	15Q20R56	26, 181, 193, 211	15QZ40LR56	106
	15A07L14	30	15AZ10L56	107	15Q25H56	26	15QZ40R56	106
	15A07L56	30, 181	15AZ10LR56	107	15Q25L56	26, 181, 193, 211	15QZ50H56	106
	15A07LR14	30	15AZ10R56	107	15Q25LR56	26, 181, 193, 211	15QZ50L56	106
	15A07LR56	30, 181	15AZ15H56	107	15Q25R56	26, 181, 193, 211	15QZ50LR56	106
	15A07R14	30	15AZ15L56	107	15Q30H56	26	15QZ50R56	106
	15A07R56	30, 181	15AZ15LR56	107	15Q30L56	26, 181, 193, 211	15QZ60H56	106
	15A10H14	30	15AZ15R56	107	15Q30LR56	26, 181, 193, 211	15QZ60L56	106
Renewal parts	15A10H56	30	15AZ20H56	107	15Q30R56	26, 181, 193, 211	15QZ60LR56	106
	15A10L14	30	15AZ20L56	107	15Q40H56	26	15QZ60R56	106
	15A10L56	30, 181, 194, 212	15AZ20LR56	107	15Q40L56	26, 181, 193, 211	15RISER	160
	15A10LR14	30	15AZ20R56	107	15Q40LR56	26, 181, 193, 211	15S05H	28
	15A10LR56	30, 181, 194, 212	15AZ25H56	107	15Q40R56	26, 181, 193, 211	15S05L	28
	15A10R14	30	15AZ25L56	107	15Q50H56	26	15S05LR	28
	15A10R56	30, 181, 194, 212	15AZ25LR56	107	15Q50L56	26, 181, 193, 211	15S05R	28
	15A15H56	30	15AZ25R56	107	15Q50LR56	26, 181, 193, 211	15S07H	28
	15A15L56	30, 181, 194, 212	15AZ30H56	107	15Q50R56	26, 181, 193, 211	15S07L	28
	15A15LR56	30, 181, 194, 212	15AZ30L56	107	15Q60H56	26	15S07LR	28
Part number index	15A15R56	30, 181, 194, 212	15AZ30LR56	107	15Q60L56	26, 181, 193, 211	15S07R	28
	15A20H56	30	15AZ30R56	107	15Q60LR56	26, 181, 193, 211	15S10H	28
	15A20L56	30, 181, 194, 212	15AZ40H56	107	15Q60R56	26, 181, 193, 211	15S10L	28
	15A20LR56	30, 181, 194, 212	15AZ40L56	107	15QHBRGKIT	229, 235	15S10LR	28
	15A20R56	30, 181, 194, 212	15AZ40LR56	107	15QHSERVICEKIT	229	15S10R	28

Part number	Page	Part Number	Page	Part number	Page	Part number	Page
15S15H	28	17A10LR56	182, 196, 214	17AZ07LR14	109	17MA05H80	138, 139
15S15L	28	17A10R14	36, 182, 196, 214	17AZ07LR56	109	17MA05H90	138, 139
15S15LR	28	17A10R56	36, 182, 196, 214	17AZ07R14	109	17MA05L71	138, 139
15S15R	28	17A15H14	36	17AZ07R56	109	17MA05L80	138, 139
15S20H	28	17A15H56	36	17AZ10H14	109	17MA05L90	138, 139
15S20L	28	17A15L14	36, 182, 196, 214	17AZ10H56	109	17MA05LR71	138, 139
15S20LR	28	17A15L56	36, 182, 196, 214	17AZ10L14	109	17MA05LR80	138, 139
15S20R	28	17A15LR14	36, 182, 196, 214	17AZ10L56	109	17MA05LR90	138, 139
15S25H	28	17A15LR56	36, 182, 196, 214	17AZ10LR14	109	17MA05R71	138, 139
15S25L	28	17A15R14	36, 182, 196, 214	17AZ10LR56	109	17MA05R80	138, 139
15S25LR	28	17A15R56	36, 182, 196, 214	17AZ10R14	109	17MA05R90	138, 139
15S25R	28	17A20H14	36	17AZ10R56	109	17MA07H71	138, 139
15S30H	28	17A20H56	36	17AZ15H14	109	17MA07H80	138, 139
15S30L	28	17A20L14	36	17AZ15H56	109	17MA07H90	138, 139
15S30LR	28	17A20L56	36, 182, 196, 214	17AZ15L14	109	17MA07L71	138, 139
15S30R	28	17A20LR14	36	17AZ15L56	109	17MA07L80	138, 139
15S40H	28	17A20LR56	36, 182, 196, 214	17AZ15LR14	109	17MA07L90	138, 139
15S40L	28	17A20R14	36	17AZ15LR56	109	17MA07LR71	138, 139
15S40LR	28	17A20R56	36, 182, 196, 214	17AZ15R14	109	17MA07LR80	138, 139
15S40R	28	17A25H56	36	17AZ15R56	109	17MA07LR90	138, 139
15S50H	28	17A25L56	36, 182, 196, 214	17AZ20H14	109	17MA07R71	138, 139
15S50L	28	17A25LR56	36, 182, 196, 214	17AZ20H56	109	17MA07R80	138, 139
15S50LR	28	17A25R56	36, 182, 196, 214	17AZ20L14	109	17MA07R90	138, 139
15S50R	28	17A30H56	36	17AZ20L56	109	17MA10H71	138, 139
15S60H	28	17A30L56	36, 182, 196, 214	17AZ20LR14	109	17MA10H80	138, 139
15S60L	28	17A30LR56	36, 182, 196, 214	17AZ20LR56	109	17MA10H90	138, 139
15S60LR	28	17A30R56	36, 182, 196, 214	17AZ20R14	109	17MA10L71	138, 139
15S60R	28	17A40H56	36	17AZ20R56	109	17MA10L80	138, 139
15SHAFTREV	177	17A40L56	36, 182, 196, 214	17AZ25H56	109	17MA10L90	138, 139
15TIEROD	162	17A40LR56	36, 182, 196, 214	17AZ25L56	109	17MA10LR71	138, 139
15ZBASE	158	17A40R56	36, 182, 196, 214	17AZ25LR56	109	17MA10LR80	138, 139
15ZBRACKET	173	17A50H56	36	17AZ25R56	109	17MA10LR90	138, 139
15ZJMOUNT	159	17A50L56	36, 182, 196, 214	17AZ30H56	109	17MA10R71	138, 139
15ZRISER	160	17A50LR56	36, 182, 196, 214	17AZ30L56	109	17MA10R80	138, 139
17A05H14	36	17A50R56	36, 182, 196, 214	17AZ30LR56	109	17MA10R90	138, 139
17A05H56	36	17A60H56	36	17AZ30R56	109	17MA15H71	138, 139
17A05L14	36, 182, 196, 214	17A60L56	36, 182, 196, 214	17AZ40H56	109	17MA15H80	138, 139
17A05L56	36, 182, 196, 214	17A60LR56	36, 182, 196, 214	17AZ40L56	109	17MA15H90	138, 139
17A05LR14	36, 182, 196, 214	17A60R56	36, 182, 196, 214	17AZ40LR56	109	17MA15L71	138, 139
17A05LR56	36, 182, 196, 214	17AHBRGKIT	230, 235	17AZ40R56	109	17MA15L80	138, 139
17A05R14	36, 182, 196, 214	17AHSERVICEKIT	230	17AZ50H56	109	17MA15L90	138, 139
17A05R56	36, 182, 196, 214	17ASBRGKIT	230, 235	17AZ50L56	109	17MA15LR71	138, 139
17A07H14	36	17ASSERVICEKIT	230	17AZ50LR56	109	17MA15LR80	138, 139
17A07H56	36	17AZ05H14	109	17AZ50R56	109	17MA15LR90	138, 139
17A07L14	36	17AZ05H56	109	17AZ60H56	109	17MA15R71	138, 139
17A07L56	36	17AZ05L14	109	17AZ60L56	109	17MA15R80	138, 139
17A07LR14	36	17AZ05L56	109	17AZ60LR56	109	17MA15R90	138, 139
17A07LR56	36	17AZ05LR14	109	17AZ60R56	109	17MA20H71	138, 139
17A07R14	36	17AZ05LR56	109	17BASE	158	17MA20H80	138, 139
17A07R56	36	17AZ05R14	109	17BRACKET	173	17MA20H90	138, 139
17A10H14	36	17AZ05R56	109	17BUSH014	165	17MA20L71	138, 139
17A10H56	36	17AZ07H14	109	17CLSDCOVER	178	17MA20L80	138, 139
17A10L14	36, 182, 196, 214	17AZ07H56	109	17FLANGE	163	17MA20L90	138, 139
17A10L56	36, 182, 196, 214	17AZ07L14	109	17JMOUNT	159	17MA20LR71	138, 139
17A10LR14	36, 182, 196, 214	17AZ07L56	109	17MA05H71	138, 139	17MA20LR80	138, 139

	Part number	Page	Part Number	Page	Part number	Page	Part number	Page
Metric Reducers – Ratings & Dimensions	17MA20LR90	138, 139	17Q15H56	32, 154	17QZ10H14	108	17S10LR	34
	17MA20R71	138, 139	17Q15L14	32, 182, 195, 213	17QZ10H56	108	17S10R	34
	17MA20R80	138, 139	17Q15L56	32, 154, 182, 195, 213	17QZ10L14	108	17S15H	34
	17MA20R90	138, 139	17Q15LR14	32, 182, 195, 213	17QZ10L56	108	17S15L	34
	17MA25H71	138, 139	17Q15LR56	32, 154, 182, 195, 213	17QZ10LR14	108	17S15LR	34
	17MA25H80	138, 139	17Q15R14	32, 182, 195, 213	17QZ10LR56	108	17S15R	34
	17MA25H90	138, 139	17Q15R56	32, 154, 182, 195, 213	17QZ10R14	108	17S20H	34
	17MA25L71	138, 139	17Q20H14	32	17QZ10R56	108	17S20L	34
	17MA25L80	138, 139	17Q20H56	32, 154	17QZ15H14	108	17S20LR	34
Ratio multiplier	17MA25L90	138, 139	17Q20L14	32	17QZ15H56	108	17S20R	34
	17MA25LR71	138, 139	17Q20L56	32, 154, 182, 195, 213	17QZ15L14	108	17S25H	34
	17MA25LR80	138, 139	17Q20LR14	32	17QZ15L56	108	17S25L	34
	17MA25LR90	138, 139	17Q20LR56	32, 154, 182, 195, 213	17QZ15LR14	108	17S25LR	34
	17MA25R71	138, 139	17Q20R14	32	17QZ15LR56	108	17S25R	34
	17MA25R80	138, 139	17Q20R56	32, 154, 182, 195, 213	17QZ15R14	108	17S30H	34
	17MA25R90	138, 139	17Q25H56	32	17QZ15R56	108	17S30L	34
	17MA30H71	138, 139	17Q25L56	32, 182, 195, 213	17QZ20H14	108	17S30LR	34
	17MA30H80	138, 139	17Q25LR56	32, 182, 195, 213	17QZ20H56	108	17S30R	34
Accessories	17MA30H90	138, 139	17Q25R56	32, 182, 195, 213	17QZ20L14	108	17S40H	34
	17MA30L71	138, 139	17Q30H56	32	17QZ20L56	108	17S40L	34
	17MA30L80	138, 139	17Q30L56	32, 182, 195, 213	17QZ20LR14	108	17S40LR	34
	17MA30L90	138, 139	17Q30LR56	32, 182, 195, 213	17QZ20LR56	108	17S40R	34
	17MA30LR71	138, 139	17Q30R56	32, 182, 195, 213	17QZ20R14	108	17S50H	34
	17MA30LR80	138, 139	17Q40H56	32	17QZ20R56	108	17S50L	34
	17MA30LR90	138, 139	17Q40L56	32, 182, 195, 213	17QZ25H56	108	17S50LR	34
	17MA30R71	138, 139	17Q40LR56	32, 182, 195, 213	17QZ25L56	108	17S50R	34
	17MA30R80	138, 139	17Q40R56	32, 182, 195, 213	17QZ25LR56	108	17S60H	34
Competitor Interchange	17MA30R90	138, 139	17Q50H56	32	17QZ25R56	108	17S60L	34
	17OPENCOVER	178	17Q50L56	32, 182, 195, 213	17QZ30H56	108	17S60LR	34
	17PLUGIN	174	17Q50LR56	32, 182, 195, 213	17QZ30L56	108	17S60R	34
	17Q05H14	32	17Q50R56	32, 182, 195, 213	17QZ30LR56	108	17SBASE	158
	17Q05H56	32	17Q60H56	32	17QZ30R56	108	17SBUSH014	165
	17Q05L14	32, 182, 195, 213	17Q60L56	32, 182, 195, 213	17QZ40H56	108	17SFLANGE	164
	17Q05L56	32, 182, 195, 213	17Q60LR56	32, 182, 195, 213	17QZ40L56	108	17SHAFTREV	177
	17Q05LR14	32, 182, 195, 213	17Q60R56	32, 182, 195, 213	17QZ40LR56	108	17TIEROD	162
	17Q05LR56	32, 182, 195, 213	17QHBRGKIT	229, 235	17QZ40R56	108	17ZBASE	158
Renewal parts	17Q05R14	32, 182, 195, 213	17QHSERVICEKIT	229	17QZ50H56	108	17ZBRACKET	173
	17Q05R56	32, 182, 195, 213	17QSBRGKIT	229, 235	17QZ50L56	108	17ZFLANGE	163
	17Q07H14	32	17QSSERVICEKIT	229	17QZ50LR56	108	17ZJMOUNT	159
	17Q07H56	32	17QZ05H14	108	17QZ50R56	108	17ZRISER	160
	17Q07L14	32	17QZ05H56	108	17QZ60H56	108	20A05H14	44
	17Q07L56	32	17QZ05L14	108	17QZ60L56	108	20A05H56	44
	17Q07LR14	32	17QZ05L56	108	17QZ60LR56	108	20A05HA14	44, 167
	17Q07LR56	32	17QZ05LR14	108	17QZ60R56	108	20A05HA56	44, 167
	17Q07R14	32	17QZ05LR56	108	17RISER	160	20A05L14	44, 184, 216
Part number index	17Q07R56	32	17QZ05R14	108	17S05H	34	20A05L56	44, 184, 198, 216
	17Q10H14	32	17QZ05R56	108	17S05L	34	20A05LR14	44, 184, 216
	17Q10H56	32	17QZ07H14	108	17S05LR	34	20A05LR56	44, 184, 198, 216
	17Q10L14	32, 182, 195, 213	17QZ07H56	108	17S05R	34	20A05R14	44, 184, 216
	17Q10L56	32, 182, 195, 213	17QZ07L14	108	17S07H	34	20A05R56	44, 184, 198, 216
	17Q10LR14	32, 182, 195, 213	17QZ07L56	108	17S07L	34	20A07H14	44
	17Q10LR56	32, 182, 195, 213	17QZ07LR14	108	17S07LR	34	20A07H56	44
	17Q10R14	32, 182, 195, 213	17QZ07LR56	108	17S07R	34	20A07HA14	44, 167
	17Q10R56	32, 182, 195, 213	17QZ07R14	108	17S10H	34	20A07HA56	44, 167
17Q15H14	32	17QZ07R56	108	17S10L	34	20A07L14	44, 184	

Part number	Page	Part Number	Page	Part number	Page	Part number	Page
20A07L56	44, 184	20A25H14	44	20AZ10H56	111	20AZ60HA56	111
20A07LR14	44, 184	20A25H56	44	20AZ10HA14	111	20AZ60L56	111
20A07LR56	44, 184	20A25HA14	44, 167	20AZ10HA56	111	20AZ60LR56	111
20A07R14	44, 184	20A25HA56	44, 167	20AZ10L14	111	20AZ60R56	111
20A07R56	44, 184	20A25L14	44, 184, 198, 216	20AZ10L56	111	20BASE	158
20A10H14	44	20A25L56	44, 184, 198, 216	20AZ10LR14	111	20BRACKET	173
20A10H56	44	20A25LR14	44, 184, 198, 216	20AZ10LR56	111	20BUSH015	165
20A10HA14	44, 167	20A25LR56	44, 184, 198, 216	20AZ10R14	111	20BUSH025	165
20A10HA56	44, 167	20A25R14	44, 184, 198, 216	20AZ10R56	111	20BUSH100	165
20A10L14	44, 184, 198, 216	20A25R56	44, 184, 198, 216	20AZ15H14	111	20CLSDCOVER	178
20A10L56	44, 184, 198, 216	20A30H56	44	20AZ15H56	111	20FLANGE	163
20A10LR14	44, 184, 198, 216	20A30HA56	44, 167	20AZ15HA14	111	20JMOUNT	159
20A10LR56	44, 184, 198, 216	20A30L56	44, 184, 198, 216	20AZ15HA56	111	20MA05H71	142, 143
20A10R14	44, 184, 198, 216	20A30LR56	44, 184, 198, 216	20AZ15L14	111	20MA05H80	142, 143
20A10R56	44, 184, 198, 216	20A30R56	44, 184, 198, 216	20AZ15L56	111	20MA05H90	142, 143
20A12H14	44	20A40H56	44	20AZ15LR14	111	20MA05L71	142, 143
20A12H56	44	20A40HA56	44, 167	20AZ15LR56	111	20MA05L80	142, 143
20A12HA14	44	20A40L56	44, 184, 198, 216	20AZ15R14	111	20MA05L90	142, 143
20A12HA56	44	20A40LR56	44, 184, 198, 216	20AZ15R56	111	20MA05LR71	142, 143
20A12L14	44, 184	20A40R56	44, 184, 198, 216	20AZ20H14	111	20MA05LR80	142, 143
20A12L56	44, 184	20A50H56	44	20AZ20H56	111	20MA05LR90	142, 143
20A12LR14	44, 184	20A50HA56	44, 167	20AZ20HA14	111	20MA05R71	142, 143
20A12LR56	44, 184	20A50L56	44, 184, 198, 216	20AZ20HA56	111	20MA05R80	142, 143
20A12R14	44, 184	20A50LR56	44, 184, 198, 216	20AZ20L14	111	20MA05R90	142, 143
20A12R56	44, 184	20A50R56	44, 184, 198, 216	20AZ20L56	111	20MA07H71	142, 143
20A15H14	44	20A60H56	44	20AZ20LR14	111	20MA07H80	142, 143
20A15H56	44	20A60HA56	44, 167	20AZ20LR56	111	20MA07H90	142, 143
20A15HA14	44, 167	20A60L56	44, 184, 198, 216	20AZ20R14	111	20MA07L71	142, 143
20A15HA56	44, 167	20A60LR56	44, 184, 198, 216	20AZ20R56	111	20MA07L80	142, 143
20A15L14	44, 184, 198, 216	20A60R56	44, 184, 198, 216	20AZ25H14	111	20MA07L90	142, 143
20A15L56	44, 184, 198, 216	20AHBRGKIT	230, 235	20AZ25H56	111	20MA07LR71	142, 143
20A15LR14	44, 184, 198, 216	20AHSERVICEKIT	230	20AZ25HA14	111	20MA07LR80	142, 143
20A15LR56	44, 184, 198, 216	20ASBRGKIT	230, 235	20AZ25HA56	111	20MA07LR90	142, 143
20A15R14	44, 184, 198, 216	20ASSERVICEKIT	230	20AZ25L14	111	20MA07R71	142, 143
20A15R56	44, 184, 198, 216	20AZ05H14	111	20AZ25L56	111	20MA07R80	142, 143
20A18H14	44	20AZ05H56	111	20AZ25LR14	111	20MA07R90	142, 143
20A18H56	44	20AZ05HA14	111	20AZ25LR56	111	20MA10H71	142, 143
20A18HA14	44	20AZ05HA56	111	20AZ25R14	111	20MA10H80	142, 143
20A18HA56	44	20AZ05L14	111	20AZ25R56	111	20MA10H90	142, 143
20A18L14	44, 184	20AZ05L56	111	20AZ30H56	111	20MA10L71	142, 143
20A18L56	44, 184	20AZ05LR14	111	20AZ30HA56	111	20MA10L80	142, 143
20A18LR14	44, 184	20AZ05LR56	111	20AZ30L56	111	20MA10L90	142, 143
20A18LR56	44, 184	20AZ05R14	111	20AZ30LR56	111	20MA10LR71	142, 143
20A18R14	44, 184	20AZ05R56	111	20AZ30R56	111	20MA10LR80	142, 143
20A18R56	44, 184	20AZ07H14	111	20AZ40H56	111	20MA10LR90	142, 143
20A20H14	44	20AZ07H56	111	20AZ40HA56	111	20MA10R71	142, 143
20A20H56	44	20AZ07HA14	111	20AZ40L56	111	20MA10R80	142, 143
20A20HA14	44, 167	20AZ07HA56	111	20AZ40LR56	111	20MA10R90	142, 143
20A20HA56	44, 167	20AZ07L14	111	20AZ40R56	111	20MA15H71	142, 143
20A20L14	44, 184, 198, 216	20AZ07L56	111	20AZ50H56	111	20MA15H80	142, 143
20A20L56	44, 184, 198, 216	20AZ07LR14	111	20AZ50HA56	111	20MA15H90	142, 143
20A20LR14	44, 184, 198, 216	20AZ07LR56	111	20AZ50L56	111	20MA15L71	142, 143
20A20LR56	44, 184, 198, 216	20AZ07R14	111	20AZ50LR56	111	20MA15L80	142, 143
20A20R14	44, 184, 198, 216	20AZ07R56	111	20AZ50R56	111	20MA15L90	142, 143
20A20R56	44, 184, 198, 216	20AZ10H14	111	20AZ60H56	111	20MA15LR71	142, 143

	Part number	Page	Part Number	Page	Part number	Page	Part number	Page
Metric Reducers – Ratings & Dimensions	20MA15LR80	142, 143	20Q07HA14	40, 167	20Q20LR56	40, 154, 183, 197, 215	20QZ07R14	110
	20MA15LR90	142, 143	20Q07HA56	40, 167	20Q20R14	40, 183, 197, 215	20QZ07R56	110
	20MA15R71	142, 143	20Q07L14	40, 183	20Q20R56	40, 154, 183, 197, 215	20QZ10H14	110
	20MA15R80	142, 143	20Q07L56	40, 183	20Q25H14	40	20QZ10H56	110
	20MA15R90	142, 143	20Q07LR14	40, 183	20Q25H56	40, 154	20QZ10HA14	110
	20MA20H71	142, 143	20Q07LR56	40, 183	20Q25HA14	40, 167	20QZ10HA56	110
	20MA20H80	142, 143	20Q07R14	40, 183	20Q25HA56	40, 167	20QZ10L14	110
	20MA20H90	142, 143	20Q07R56	40, 183	20Q25L14	40, 183, 197, 215	20QZ10L56	110
	20MA20L71	142, 143	20Q10H14	40	20Q25L56	40, 154, 183, 197, 215	20QZ10LR14	110
	20MA20L80	142, 143	20Q10H56	40	20Q25LR14	40, 183, 197, 215	20QZ10LR56	110
Ratio multiplier	20MA20L90	142, 143	20Q10HA14	40, 167	20Q25LR56	40, 154, 183, 197, 215	20QZ10R14	110
	20MA20LR71	142, 143	20Q10HA56	40, 167	20Q25R14	40, 183, 197, 215	20QZ10R56	110
	20MA20LR80	142, 143	20Q10L14	40, 183, 197, 215	20Q25R56	40, 154, 183, 197, 215	20QZ15H14	110
	20MA20LR90	142, 143	20Q10L56	40, 183, 197, 215	20Q30H56	40, 154	20QZ15H56	110
	20MA20R71	142, 143	20Q10LR14	40, 183, 197, 215	20Q30HA56	40, 167	20QZ15HA14	110
	20MA20R80	142, 143	20Q10LR56	40, 183, 197, 215	20Q30L56	40, 154, 183, 197, 215	20QZ15HA56	110
	20MA20R90	142, 143	20Q10R14	40, 183, 197, 215	20Q30LR56	40, 154, 183, 197, 215	20QZ15L14	110
	20MA25H71	142, 143	20Q10R56	40, 183, 197, 215	20Q30R56	40, 154, 183, 197, 215	20QZ15L56	110
	20MA25H80	142, 143	20Q12H14	40	20Q40H56	40	20QZ15LR14	110
	20MA25H90	142, 143	20Q12H56	40	20Q40HA56	40, 167	20QZ15LR56	110
Accessories	20MA25L71	142, 143	20Q12HA14	40	20Q40L56	40, 183, 197, 215	20QZ15R14	110
	20MA25L80	142, 143	20Q12HA56	40	20Q40LR56	40, 183, 197, 215	20QZ15R56	110
	20MA25L90	142, 143	20Q12L14	40, 183	20Q40R56	40, 183, 197, 215	20QZ20H14	110
	20MA25LR71	142, 143	20Q12L56	40, 183	20Q50H56	40	20QZ20H56	110
	20MA25LR80	142, 143	20Q12LR14	40, 183	20Q50HA56	40, 167	20QZ20HA14	110
	20MA25LR90	142, 143	20Q12LR56	40, 183	20Q50L56	40, 183, 197, 215	20QZ20HA56	110
	20MA25R71	142, 143	20Q12R14	40, 183	20Q50LR56	40, 183, 197, 215	20QZ20L14	110
	20MA25R80	142, 143	20Q12R56	40, 183	20Q50R56	40, 183, 197, 215	20QZ20L56	110
	20MA25R90	142, 143	20Q15H14	40	20Q60H56	40	20QZ20LR14	110
	20MA30H71	142, 143	20Q15H56	40, 154	20Q60HA56	40, 167	20QZ20LR56	110
Competitor Interchange	20MA30H80	142, 143	20Q15HA14	40, 167	20Q60L56	40, 183, 197, 215	20QZ20R14	110
	20MA30H90	142, 143	20Q15HA56	40, 167	20Q60LR56	40, 183, 197, 215	20QZ20R56	110
	20MA30L71	142, 143	20Q15L14	40, 183, 197, 215	20Q60R56	40, 183, 197, 215	20QZ25H14	110
	20MA30L80	142, 143	20Q15L56	40, 154, 183, 197, 215	20QHBRGKIT	229, 235	20QZ25H56	110
	20MA30L90	142, 143	20Q15LR14	40, 183, 197, 215	20QHSERVICEKIT	229	20QZ25HA14	110
	20MA30LR71	142, 143	20Q15LR56	40, 154, 183, 197, 215	20QSBRGKIT	229, 235	20QZ25HA56	110
	20MA30LR80	142, 143	20Q15R14	40, 183, 197, 215	20QSSERVICEKIT	229	20QZ25L14	110
	20MA30LR90	142, 143	20Q15R56	40, 154, 183, 197, 215	20QZ05H14	110	20QZ25L56	110
	20MA30R71	142, 143	20Q18H14	40	20QZ05H56	110	20QZ25LR14	110
	20MA30R80	142, 143	20Q18H56	40	20QZ05HA14	110	20QZ25LR56	110
Renewal parts	20MA30R90	142, 143	20Q18HA14	40	20QZ05HA56	110	20QZ25R14	110
	20OPENCOVER	178	20Q18HA56	40	20QZ05L14	110	20QZ25R56	110
	20PLUGIN	174	20Q18L14	40, 183	20QZ05L56	110	20QZ30H56	110
	20Q05H14	40	20Q18L56	40, 183	20QZ05LR14	110	20QZ30HA56	110
	20Q05H56	40	20Q18LR14	40, 183	20QZ05LR56	110	20QZ30L56	110
	20Q05HA14	40, 167	20Q18LR56	40, 183	20QZ05R14	110	20QZ30LR56	110
	20Q05HA56	40, 167	20Q18R14	40, 183	20QZ05R56	110	20QZ30R56	110
	20Q05L14	40, 183, 215	20Q18R56	40, 183	20QZ07H14	110	20QZ40H56	110
	20Q05L56	40, 183, 197, 215	20Q20H14	40	20QZ07H56	110	20QZ40HA56	110
	20Q05LR14	40, 183, 215	20Q20H56	40, 154	20QZ07HA14	110	20QZ40L56	110
Part number index	20Q05LR56	40, 183, 197, 215	20Q20HA14	40, 167	20QZ07HA56	110	20QZ40LR56	110
	20Q05R14	40, 183, 215	20Q20HA56	40, 167	20QZ07L14	110	20QZ40R56	110
	20Q05R56	40, 183, 197, 215	20Q20L14	40, 183, 197, 215	20QZ07L56	110	20QZ50H56	110
	20Q07H14	40	20Q20L56	40, 154, 183, 197, 215	20QZ07LR14	110	20QZ50HA56	110
	20Q07H56	40	20Q20LR14	40, 183, 197, 215	20QZ07LR56	110	20QZ50L56	110

Part number	Page	Part Number	Page	Part number	Page	Part number	Page
20QZ50LR56	110	20S40L	42	21BA18L56	52	21BQ15L56	48
20QZ50R56	110	20S40LR	42	21BA18LR14	52	21BQ15LR14	48
20QZ60H56	110	20S40R	42	21BA18LR56	52	21BQ15LR56	48
20QZ60HA56	110	20S50H	42	21BA18R14	52	21BQ15R14	48
20QZ60L56	110	20S50HA	42, 167	21BA18R56	52	21BQ15R56	48
20QZ60LR56	110	20S50L	42	21BA20L14	52	21BQ18L14	48
20QZ60R56	110	20S50LR	42	21BA20L56	52	21BQ18L56	48
20RISER	160	20S50R	42	21BA20LR14	52	21BQ18LR14	48
20S05H	42	20S60H	42	21BA20LR56	52	21BQ18LR56	48
20S05HA	42, 167	20S60HA	42, 167	21BA20R14	52	21BQ18R14	48
20S05L	42	20S60L	42	21BA20R56	52	21BQ18R56	48
20S05LR	42	20S60LR	42	21BA25L14	52	21BQ20L14	48
20S05R	42	20S60R	42	21BA25L56	52	21BQ20L56	48
20S07H	42	20SBASE	158	21BA25LR14	52	21BQ20LR14	48
20S07HA	42, 167	20SBUSH015	165	21BA25LR56	52	21BQ20LR56	48
20S07L	42	20SBUSH025	165	21BA25R14	52	21BQ20R14	48
20S07LR	42	20SBUSH100	165	21BA25R56	52	21BQ20R56	48
20S07R	42	20SFLANGE	164	21BA30L56	52	21BQ25L14	48
20S10H	42	20SHAFTREV	177	21BA30LR56	52	21BQ25L56	48
20S10HA	42, 167	20ZBASE	158	21BA30R56	52	21BQ25LR14	48
20S10L	42	20ZBRACKET	173	21BA40L56	52	21BQ25LR56	48
20S10LR	42	20ZFLANGE	163	21BA40LR56	52	21BQ25R14	48
20S10R	42	20ZJMOUNT	159	21BA40R56	52	21BQ25R56	48
20S12H	42	20ZRISER	160	21BA50L56	52	21BQ30L56	48
20S12HA	42	21BA05L14	52	21BA50LR56	52	21BQ30LR56	48
20S12L	42	21BA05L56	52	21BA50R56	52	21BQ30R56	48
20S12LR	42	21BA05LR14	52	21BA60L56	52	21BQ40L56	48
20S12R	42	21BA05LR56	52	21BA60LR56	52	21BQ40LR56	48
20S15H	42	21BA05R14	52	21BA60R56	52	21BQ40R56	48
20S15HA	42, 167	21BA05R56	52	21BBASE	158	21BQ50L56	48
20S15L	42	21BA07L14	52	21BQ05L14	48	21BQ50LR56	48
20S15LR	42	21BA07L56	52	21BQ05L56	48	21BQ50R56	48
20S15R	42	21BA07LR14	52	21BQ05LR14	48	21BQ60L56	48
20S18H	42	21BA07LR56	52	21BQ05LR56	48	21BQ60LR56	48
20S18HA	42	21BA07R14	52	21BQ05R14	48	21BQ60R56	48
20S18L	42	21BA07R56	52	21BQ05R56	48	21BS05L	50
20S18LR	42	21BA10L14	52	21BQ07L14	48	21BS05LR	50
20S18R	42	21BA10L56	52	21BQ07L56	48	21BS05R	50
20S20H	42	21BA10LR14	52	21BQ07LR14	48	21BS07L	50
20S20HA	42, 167	21BA10LR56	52	21BQ07LR56	48	21BS07LR	50
20S20L	42	21BA10R14	52	21BQ07R14	48	21BS07R	50
20S20LR	42	21BA10R56	52	21BQ07R56	48	21BS10L	50
20S20R	42	21BA12L14	52	21BQ10L14	48	21BS10LR	50
20S25H	42	21BA12L56	52	21BQ10L56	48	21BS10R	50
20S25HA	42, 167	21BA12LR14	52	21BQ10LR14	48	21BS12L	50
20S25L	42	21BA12LR56	52	21BQ10LR56	48	21BS12LR	50
20S25LR	42	21BA12R14	52	21BQ10R14	48	21BS12R	50
20S25R	42	21BA12R56	52	21BQ10R56	48	21BS15L	50
20S30H	42	21BA15L14	52	21BQ12L14	48	21BS15LR	50
20S30HA	42, 167	21BA15L56	52	21BQ12L56	48	21BS15R	50
20S30L	42	21BA15LR14	52	21BQ12LR14	48	21BS18L	50
20S30LR	42	21BA15LR56	52	21BQ12LR56	48	21BS18LR	50
20S30R	42	21BA15R14	52	21BQ12R14	48	21BS18R	50
20S40H	42	21BA15R56	52	21BQ12R56	48	21BS20L	50
20S40HA	42, 167	21BA18L14	52	21BQ15L14	48	21BS20LR	50

Metric Reducers –
Ratings & Dimensions

Ratio multiplier

Accessories

Competitor interchange

Renewal parts

Part number index

	Part number	Page	Part Number	Page	Part number	Page	Part number	Page
Metric Reducers – Ratings & Dimensions	21BS20R	50	23A10L56	58, 185, 200, 218	23A30HA56	58, 167	23AZ07LR14	113
	21BS25L	50	23A10LR14	58, 185, 200, 218	23A30L14	58, 200, 218	23AZ07LR18	113
	21BS25LR	50	23A10LR18	58, 200, 218	23A30L56	58, 185, 200, 218	23AZ07LR56	113
	21BS25R	50	23A10LR56	58, 185, 200, 218	23A30LR14	58, 200, 218	23AZ07R14	113
	21BS30L	50	23A10R14	58, 185, 200, 218	23A30LR56	58, 185, 200, 218	23AZ07R18	113
	21BS30LR	50	23A10R18	58, 200, 218	23A30R14	58, 200, 218	23AZ07R56	113
	21BS30R	50	23A10R56	58, 185, 200, 218	23A30R56	58, 185, 200, 218	23AZ10H14	113
	21BS40L	50	23A12H14	58	23A40H14	58	23AZ10H18	113
	21BS40LR	50	23A12H18	58	23A40H56	58	23AZ10H56	113
	21BS40R	50	23A12H56	58	23A40HA14	58, 167	23AZ10HA14	113
Ratio multiplier	21BS50L	50	23A12HA14	58	23A40HA56	58, 167	23AZ10HA18	113
	21BS50LR	50	23A12HA18	58	23A40L14	58, 200, 218	23AZ10HA56	113
	21BS50R	50	23A12HA56	58	23A40L56	58, 185, 200, 218	23AZ10L14	113
	21BS60L	50	23A12L14	58	23A40LR14	58, 200, 218	23AZ10L18	113
	21BS60LR	50	23A12L18	58	23A40LR56	58, 185, 200, 218	23AZ10L56	113
	21BS60R	50	23A12L56	58	23A40R14	58, 200, 218	23AZ10LR14	113
	21BZBASE	158	23A12LR14	58	23A40R56	58, 185, 200, 218	23AZ10LR18	113
	23A05H14	58	23A12LR18	58	23A50H56	58	23AZ10LR56	113
	23A05H18	58	23A12LR56	58	23A50HA56	58, 167	23AZ10R14	113
	23A05H56	58	23A12R14	58	23A50L56	58, 185, 200, 218	23AZ10R18	113
Accessories	23A05HA14	58, 167	23A12R18	58	23A50LR56	58, 185, 200, 218	23AZ10R56	113
	23A05HA18	58, 167	23A12R56	58	23A50R56	58, 185, 200, 218	23AZ15H14	113
	23A05HA56	58, 167	23A15H14	58	23A60H56	58	23AZ15H56	113
	23A05L14	58, 185, 200, 218	23A15H56	58	23A60HA56	58, 167	23AZ15HA14	113
	23A05L18	58, 200, 218	23A15HA14	58, 167	23A60L56	58, 185, 200, 218	23AZ15HA56	113
	23A05L56	58, 185	23A15HA56	58, 167	23A60LR56	58, 185, 200, 218	23AZ15L14	113
	23A05LR14	58, 185, 200, 218	23A15L14	58, 185, 200, 218	23A60R56	58, 185, 200, 218	23AZ15L56	113
	23A05LR18	58, 200, 218	23A15L56	58, 185, 200, 218	23AHBRGKIT	230, 235	23AZ15LR14	113
	23A05LR56	58, 185	23A15LR14	58, 185, 200, 218	23AHSERVICEKIT	230	23AZ15LR56	113
	23A05R14	58, 185, 200, 218	23A15LR56	58, 185, 200, 218	23ASBRGKIT	230, 235	23AZ15R14	113
Competitor Interchange	23A05R18	58, 200, 218	23A15R14	58, 185, 200, 218	23ASSERVICEKIT	230	23AZ15R56	113
	23A05R56	58, 185	23A15R56	58, 185, 200, 218	23AZ05H14	113	23AZ20H14	113
	23A07H14	58	23A20H14	58	23AZ05H18	113	23AZ20H56	113
	23A07H18	58	23A20H56	58	23AZ05H56	113	23AZ20HA14	113
	23A07H56	58	23A20HA14	58, 167	23AZ05HA14	113	23AZ20HA56	113
	23A07HA14	58, 167	23A20HA56	58, 167	23AZ05HA18	113	23AZ20L14	113
	23A07HA18	58, 167	23A20L14	58, 185, 200, 218	23AZ05HA56	113	23AZ20L56	113
	23A07HA56	58, 167	23A20L56	58, 185, 200, 218	23AZ05L14	113	23AZ20LR14	113
	23A07L14	58	23A20LR14	58, 185, 200, 218	23AZ05L18	113	23AZ20LR56	113
	23A07L18	58	23A20LR56	58, 185, 200, 218	23AZ05L56	113	23AZ20R14	113
Renewal parts	23A07L56	58	23A20R14	58, 185, 200, 218	23AZ05LR14	113	23AZ20R56	113
	23A07LR14	58	23A20R56	58, 185, 200, 218	23AZ05LR18	113	23AZ25H14	113
	23A07LR18	58	23A25H14	58	23AZ05LR56	113	23AZ25H56	113
	23A07LR56	58	23A25H56	58	23AZ05R14	113	23AZ25HA14	113
	23A07R14	58	23A25HA14	58, 167	23AZ05R18	113	23AZ25HA56	113
	23A07R18	58	23A25HA56	58, 167	23AZ05R56	113	23AZ25L14	113
	23A07R56	58	23A25L14	58, 185, 200, 218	23AZ07H14	113	23AZ25L56	113
	23A10H14	58	23A25L56	58, 185, 200, 218	23AZ07H18	113	23AZ25LR14	113
	23A10H18	58	23A25LR14	58, 185, 200, 218	23AZ07H56	113	23AZ25LR56	113
	23A10H56	58	23A25LR56	58, 185, 200, 218	23AZ07HA14	113	23AZ25R14	113
Part number index	23A10HA14	58, 167	23A25R14	58, 185, 200, 218	23AZ07HA18	113	23AZ25R56	113
	23A10HA18	58, 167	23A25R56	58, 185, 200, 218	23AZ07HA56	113	23AZ30H14	113
	23A10HA56	58, 167	23A30H14	58	23AZ07L14	113	23AZ30H56	113
	23A10L14	58, 185, 200, 218	23A30H56	58	23AZ07L18	113	23AZ30HA14	113
	23A10L18	58, 200, 218	23A30HA14	58, 167	23AZ07L56	113	23AZ30HA56	113

Part number	Page	Part Number	Page	Part number	Page	Part number	Page
23AZ30L14	113	23MA10H80	146, 147	23MA30LR90	146, 147	23Q12HA14	54
23AZ30L56	113	23MA10H90	146, 147	23MA30LR100	146, 147	23Q12HA18	54
23AZ30LR14	113	23MA10H100	146, 147	23MA30R80	146, 147	23Q12HA56	54
23AZ30LR56	113	23MA10L80	146, 147	23MA30R90	146, 147	23Q12L14	54
23AZ30R14	113	23MA10L90	146, 147	23MA30R100	146, 147	23Q12L18	54
23AZ30R56	113	23MA10L100	146, 147	23OPENCOVER	178	23Q12L56	54
23AZ40H14	113	23MA10LR80	146, 147	23PLUGIN	174	23Q12LR14	54
23AZ40H56	113	23MA10LR90	146, 147	23Q05H14	54	23Q12LR18	54
23AZ40HA14	113	23MA10LR100	146, 147	23Q05H18	54	23Q12LR56	54
23AZ40HA56	113	23MA10R80	146, 147	23Q05H56	54	23Q12R14	54
23AZ40L14	113	23MA10R90	146, 147	23Q05HA14	54, 167	23Q12R18	54
23AZ40L56	113	23MA10R100	146, 147	23Q05HA18	54, 167	23Q12R56	54
23AZ40LR14	113	23MA15H80	146, 147	23Q05HA56	54, 167	23Q15H14	54
23AZ40LR56	113	23MA15H90	146, 147	23Q05L14	54, 185, 199, 217	23Q15H56	54, 154
23AZ40R14	113	23MA15H100	146, 147	23Q05L18	54, 199, 217	23Q15HA14	54, 167
23AZ40R56	113	23MA15L80	146, 147	23Q05L56	54, 185	23Q15HA56	54, 167
23AZ50H56	113	23MA15L90	146, 147	23Q05LR14	54, 185, 199, 217	23Q15L14	54, 185, 199, 217
23AZ50HA56	113	23MA15L100	146, 147	23Q05LR18	54, 199, 217	23Q15L56	54, 154, 185, 199, 217
23AZ50L56	113	23MA15LR80	146, 147	23Q05LR56	54, 185	23Q15LR14	54, 185, 199, 217
23AZ50LR56	113	23MA15LR90	146, 147	23Q05R14	54, 185, 199, 217	23Q15LR56	54, 154, 185, 199, 217
23AZ50R56	113	23MA15LR100	146, 147	23Q05R18	54, 199, 217	23Q15R14	54, 185, 199, 217
23AZ60H56	113	23MA15R80	146, 147	23Q05R56	54, 185	23Q15R56	54, 154, 185, 199, 217
23AZ60HA56	113	23MA15R90	146, 147	23Q07H14	54	23Q20H14	54
23AZ60L56	113	23MA15R100	146, 147	23Q07H18	54	23Q20H56	54, 154
23AZ60LR56	113	23MA20H80	146, 147	23Q07H56	54	23Q20HA14	54, 167
23AZ60R56	113	23MA20H90	146, 147	23Q07HA14	54, 167	23Q20HA56	54, 167
23BASE	158	23MA20H100	146, 147	23Q07HA18	54, 167	23Q20L14	54, 185, 199, 217
23BRACKET	173	23MA20L80	146, 147	23Q07HA56	54, 167	23Q20L56	54, 154, 185, 199, 217
23CLSDCOVER	178	23MA20L90	146, 147	23Q07L14	54	23Q20LR14	54, 185, 199, 217
23DOWN26	175	23MA20L100	146, 147	23Q07L18	54	23Q20LR56	54, 154, 185, 199, 217
23JMOUNT	159	23MA20LR80	146, 147	23Q07L56	54	23Q20R14	54, 185, 199, 217
23MA05H80	146, 147	23MA20LR90	146, 147	23Q07LR14	54	23Q20R56	54, 154, 185, 199, 217
23MA05H90	146, 147	23MA20LR100	146, 147	23Q07LR18	54	23Q25H14	54
23MA05H100	146, 147	23MA20R80	146, 147	23Q07LR56	54	23Q25H56	54, 154
23MA05L80	146, 147	23MA20R90	146, 147	23Q07R14	54	23Q25HA14	54, 167
23MA05L90	146, 147	23MA20R100	146, 147	23Q07R18	54	23Q25HA56	54, 167
23MA05L100	146, 147	23MA25H80	146, 147	23Q07R56	54	23Q25L14	54, 185, 199, 217
23MA05LR80	146, 147	23MA25H90	146, 147	23Q10H14	54	23Q25L56	54, 154, 185, 199, 217
23MA05LR90	146, 147	23MA25H100	146, 147	23Q10H18	54	23Q25LR14	54, 185, 199, 217
23MA05LR100	146, 147	23MA25L80	146, 147	23Q10H56	54	23Q25LR56	54, 154, 185, 199, 217
23MA05R80	146, 147	23MA25L90	146, 147	23Q10HA14	54, 167	23Q25R14	54, 185, 199, 217
23MA05R90	146, 147	23MA25L100	146, 147	23Q10HA18	54, 167	23Q25R56	54, 154, 185, 199, 217
23MA05R100	146, 147	23MA25LR80	146, 147	23Q10HA56	54, 167	23Q30H14	54
23MA07H80	146, 147	23MA25LR90	146, 147	23Q10L14	54, 185, 199, 217	23Q30H56	54, 154
23MA07H90	146, 147	23MA25LR100	146, 147	23Q10L18	54, 199, 217	23Q30HA14	54, 167
23MA07H100	146, 147	23MA25R80	146, 147	23Q10L56	54, 185, 199, 217	23Q30HA56	54, 167
23MA07L80	146, 147	23MA25R90	146, 147	23Q10LR14	54, 185, 199, 217	23Q30L14	54, 199, 217
23MA07L90	146, 147	23MA25R100	146, 147	23Q10LR18	54, 199, 217	23Q30L56	54, 154, 185, 199, 217
23MA07L100	146, 147	23MA30H80	146, 147	23Q10LR56	54, 185, 199, 217	23Q30LR14	54, 199, 217
23MA07LR80	146, 147	23MA30H90	146, 147	23Q10R14	54, 185, 199, 217	23Q30LR56	54, 154, 185, 199, 217
23MA07LR90	146, 147	23MA30H100	146, 147	23Q10R18	54, 199, 217	23Q30R14	54, 199, 217
23MA07LR100	146, 147	23MA30L80	146, 147	23Q10R56	54, 185, 199, 217	23Q30R56	54, 154, 185, 199, 217
23MA07R80	146, 147	23MA30L90	146, 147	23Q12H14	54	23Q40H14	54
23MA07R90	146, 147	23MA30L100	146, 147	23Q12H18	54	23Q40H56	54, 154, 155
23MA07R100	146, 147	23MA30LR80	146, 147	23Q12H56	54	23Q40HA14	54, 167

	Part number	Page	Part Number	Page	Part number	Page	Part number	Page
Metric Reducers – Ratings & Dimensions	23Q40HA56	54, 167	23QZ10H18	112	23QZ40H56	112	23S30H	56
	23Q40L14	54, 199, 217	23QZ10H56	112	23QZ40HA14	112	23S30HA	56, 167
	23Q40L56	54, 154, 155, 185, 199, 217	23QZ10HA14	112	23QZ40HA56	112	23S30L	56
	23Q40LR14	54, 199, 217	23QZ10HA18	112	23QZ40L14	112	23S30LR	56
	23Q40LR56	54, 154, 155, 185, 199, 217	23QZ10HA56	112	23QZ40L56	112	23S30R	56
			23QZ10L14	112	23QZ40LR14	112	23S40H	56
			23QZ10L18	112	23QZ40LR56	112	23S40HA	56, 167
			23QZ10L56	112	23QZ40R14	112	23S40L	56
			23QZ10LR14	112	23QZ40R56	112	23S40LR	56
			23QZ10LR18	112	23QZ50H56	112	23S40R	56
Ratio multiplier	23Q50H56	54	23QZ10LR56	112	23QZ50HA56	112	23S50H	56
	23Q50HA56	54, 167	23QZ10R14	112	23QZ50L56	112	23S50HA	56, 167
	23Q50L56	54, 185, 199, 217	23QZ10R18	112	23QZ50LR56	112	23S50L	56
	23Q50LR56	54, 185, 199, 217	23QZ10R56	112	23QZ50R56	112	23S50LR	56
	23Q50R56	54, 185, 199, 217	23QZ15H14	112	23QZ60H56	112	23S50R	56
	23Q60H56	54, 155	23QZ15H56	112	23QZ60HA56	112	23S60H	56
	23Q60HA56	54, 167	23QZ15HA14	112	23QZ60L56	112	23S60HA	56, 167
	23Q60L56	54, 155, 185, 199, 217	23QZ15HA56	112	23QZ60LR56	112	23S60L	56
	23Q60LR56	54, 155, 185, 199, 217	23QZ15L14	112	23QZ60R56	112	23S60LR	56
	23Q60R56	54, 155, 185, 199, 217	23QZ15L56	112	23RISER	160	23S60R	56
Accessories	23QHBRGKIT	229, 235	23QZ15LR14	112	23S05H	56	23SBASE	158
	23QHSERVICEKIT	229	23QZ15LR56	112	23S05HA	56, 167	23SFLANGE	164
	23QSBRGKIT	229, 235	23QZ15R14	112	23S05L	56	23SHAFTREV	177
	23QSSERVICEKIT	229	23QZ15R56	112	23S05LR	56	23STBUSH100	165
	23QZ05H14	112	23QZ20H14	112	23S05R	56	23STBUSH103	165
	23QZ05H18	112	23QZ20H56	112	23S07H	56	23TBUSH100	165
	23QZ05H56	112	23QZ20HA14	112	23S07HA	56, 167	23TBUSH103	165
	23QZ05HA14	112	23QZ20HA56	112	23S07L	56	23ZBASE	158
	23QZ05HA18	112	23QZ20L14	112	23S07LR	56	23ZBRACKET	173
	23QZ05HA56	112	23QZ20L56	112	23S07R	56	23ZJMOUNT	159
Competitor Interchange	23QZ05L14	112	23QZ20LR14	112	23S10H	56	23ZRISER	160
	23QZ05L18	112	23QZ20LR56	112	23S10HA	56, 167	26A0LR14	220
	23QZ05L56	112	23QZ20R14	112	23S10L	56	26A05H14	66
	23QZ05LR14	112	23QZ20R56	112	23S10LR	56	26A05H18	66
	23QZ05LR18	112	23QZ25H14	112	23S10R	56	26A05HA14	66, 167
	23QZ05LR56	112	23QZ25H56	112	23S12H	56	26A05HA18	66, 167
	23QZ05R14	112	23QZ25HA14	112	23S12HA	56	26A05L14	66, 187, 202, 220
	23QZ05R18	112	23QZ25HA56	112	23S12L	56	26A05L18	66, 187, 202, 220
	23QZ05R56	112	23QZ25L14	112	23S12LR	56	26A05LR14	66, 187, 202, 220
	23QZ07H14	112	23QZ25L56	112	23S12R	56	26A05LR18	66, 187, 202, 220
Renewal parts	23QZ07H18	112	23QZ25LR14	112	23S15H	56	26A05R14	66, 187, 202, 220
	23QZ07H56	112	23QZ25LR56	112	23S15HA	56, 167	26A05R18	66, 187, 202, 220
	23QZ07HA14	112	23QZ25R14	112	23S15L	56	26A07H14	66
	23QZ07HA18	112	23QZ25R56	112	23S15LR	56	26A07H18	66
	23QZ07HA56	112	23QZ30H14	112	23S15R	56	26A07H56	66
	23QZ07L14	112	23QZ30H56	112	23S20H	56	26A07HA14	66, 167
	23QZ07L18	112	23QZ30HA14	112	23S20HA	56, 167	26A07HA18	66, 167
	23QZ07L56	112	23QZ30HA56	112	23S20L	56	26A07HA56	66, 167
	23QZ07LR14	112	23QZ30L14	112	23S20LR	56	26A07L14	66, 187, 202
	23QZ07LR18	112	23QZ30L56	112	23S20R	56	26A07L18	66, 187, 202
Part number index	23QZ07LR56	112	23QZ30LR14	112	23S25H	56	26A07L56	66
	23QZ07R14	112	23QZ30LR56	112	23S25HA	56, 167	26A07LR14	66, 187, 202
	23QZ07R18	112	23QZ30R14	112	23S25L	56	26A07LR18	66, 187, 202
	23QZ07R56	112	23QZ30R56	112	23S25LR	56	26A07LR56	66
	23QZ10H14	112	23QZ40H14	112	23S25R	56	26A07R14	66, 187, 202

Part number	Page	Part Number	Page	Part number	Page	Part number	Page
26A07R18	66, 187, 202	26A18L56	66	26A50R14	66	26AZ10R56	115
26A07R56	66	26A18LR14	66	26A50R56	66, 187, 202, 220	26AZ15H14	115
26A10H14	66	26A18LR18	66	26A60H14	66	26AZ15H18	115
26A10H18	66	26A18LR56	66	26A60H56	66	26AZ15H56	115
26A10H56	66	26A18R14	66	26A60HA14	66, 167	26AZ15HA14	115
26A10HA14	66, 167	26A18R18	66	26A60HA56	66, 167	26AZ15HA18	115
26A10HA18	66, 167	26A18R56	66	26A60L14	66	26AZ15HA56	115
26A10HA56	66, 167	26A20H14	66	26A60L56	66, 187, 202, 220	26AZ15L14	115
26A10L14	66, 187, 202, 220	26A20H56	66	26A60LR14	66	26AZ15L18	115
26A10L18	66, 187, 202, 220	26A20HA14	66, 167	26A60LR56	66, 187, 202, 220	26AZ15L56	115
26A10L56	66, 187, 202, 220	26A20HA56	66, 167	26A60R14	66	26AZ15LR14	115
26A10LR14	66, 187, 202, 220	26A20L14	66, 187, 202, 220	26A60R56	66, 187, 202, 220	26AZ15LR18	115
26A10LR18	66, 187, 202, 220	26A20L56	66, 187, 202, 220	26AHBRGKIT	230, 235	26AZ15LR56	115
26A10LR56	66, 187, 202, 220	26A20LR14	66, 187, 202, 220	26AHSERVICEKIT	230	26AZ15R14	115
26A10R14	66, 187, 202, 220	26A20LR56	66, 187, 202, 220	26ASBRGKIT	230, 235	26AZ15R18	115
26A10R18	66, 187, 202, 220	26A20R14	66, 187, 202, 220	26ASSERVICEKIT	230	26AZ15R56	115
26A10R56	66, 187, 202, 220	26A20R56	66, 187, 202, 220	26AZ05H14	115	26AZ20H14	115
26A12H14	66	26A25H14	66	26AZ05H18	115	26AZ20H56	115
26A12H18	66	26A25H56	66	26AZ05HA14	115	26AZ20HA14	115
26A12H56	66	26A25HA14	66, 167	26AZ05HA18	115	26AZ20HA56	115
26A12HA14	66	26A25HA56	66, 167	26AZ05L14	115	26AZ20L14	115
26A12HA18	66	26A25L14	66, 187, 202, 220	26AZ05L18	115	26AZ20L56	115
26A12HA56	66	26A25L56	66, 187, 202, 220	26AZ05LR14	115	26AZ20LR14	115
26A12L14	66	26A25LR14	66, 187, 202, 220	26AZ05LR18	115	26AZ20LR56	115
26A12L18	66	26A25LR56	66, 187, 202, 220	26AZ05R14	115	26AZ20R14	115
26A12L56	66	26A25R14	66, 187, 202, 220	26AZ05R18	115	26AZ20R56	115
26A12LR14	66	26A25R56	66, 187, 202, 220	26AZ07H14	115	26AZ25H14	115
26A12LR18	66	26A30H14	66	26AZ07H18	115	26AZ25H56	115
26A12LR56	66	26A30H56	66	26AZ07H56	115	26AZ25HA14	115
26A12R14	66	26A30HA14	66, 167	26AZ07HA14	115	26AZ25HA56	115
26A12R18	66	26A30HA56	66, 167	26AZ07HA18	115	26AZ25L14	115
26A12R56	66	26A30L14	66, 187, 202, 220	26AZ07HA56	115	26AZ25L56	115
26A15H14	66	26A30L56	66, 187, 202, 220	26AZ07L14	115	26AZ25LR14	115
26A15H18	66	26A30LR14	66, 187, 202, 220	26AZ07L18	115	26AZ25LR56	115
26A15H56	66	26A30LR56	66, 187, 202, 220	26AZ07L56	115	26AZ25R14	115
26A15HA14	66, 167	26A30R14	66, 187, 202, 220	26AZ07LR14	115	26AZ25R56	115
26A15HA18	66, 167	26A30R56	66, 187, 202, 220	26AZ07LR18	115	26AZ30H14	115
26A15HA56	66, 167	26A40H14	66	26AZ07LR56	115	26AZ30H56	115
26A15L14	66, 187, 202, 220	26A40H56	66	26AZ07R14	115	26AZ30HA14	115
26A15L18	66	26A40HA14	66, 167	26AZ07R18	115	26AZ30HA56	115
26A15L56	66, 187, 202, 220	26A40HA56	66, 167	26AZ07R56	115	26AZ30L14	115
26A15LR14	66, 187, 202, 220	26A40L14	66, 187, 202, 220	26AZ10H14	115	26AZ30L56	115
26A15LR18	66	26A40L56	66, 187, 202, 220	26AZ10H18	115	26AZ30LR14	115
26A15LR56	66, 187, 202, 220	26A40LR14	66, 187, 202, 220	26AZ10H56	115	26AZ30LR56	115
26A15R14	66, 187, 202, 220	26A40LR56	66, 187, 202, 220	26AZ10HA14	115	26AZ30R14	115
26A15R18	66	26A40R14	66, 187, 202, 220	26AZ10HA18	115	26AZ30R56	115
26A15R56	66, 187, 202, 220	26A40R56	66, 187, 202, 220	26AZ10HA56	115	26AZ40H14	115
26A18H14	66	26A50H14	66	26AZ10L14	115	26AZ40H56	115
26A18H18	66	26A50H56	66	26AZ10L18	115	26AZ40HA14	115
26A18H56	66	26A50HA14	66, 167	26AZ10L56	115	26AZ40HA56	115
26A18HA14	66	26A50HA56	66, 167	26AZ10LR14	115	26AZ40L14	115
26A18HA18	66	26A50L14	66	26AZ10LR18	115	26AZ40L56	115
26A18HA56	66	26A50L56	66, 187, 202, 220	26AZ10LR56	115	26AZ40LR14	115
26A18L14	66	26A50LR14	66	26AZ10R14	115	26AZ40LR56	115
26A18L18	66	26A50LR56	66, 187, 202, 220	26AZ10R18	115	26AZ40R14	115

	Part number	Page	Part Number	Page	Part number	Page	Part number	Page
Metric Reducers – Ratings & Dimensions	26AZ40R56	115	26MA15LR90	150, 151	26Q10H14	62	26Q18LR18	62
	26AZ50H14	115	26MA15LR100	150, 151	26Q10H18	62	26Q18LR56	62
	26AZ50H56	115	26MA15R90	150, 151	26Q10H56	62	26Q18R14	62
	26AZ50HA14	115	26MA15R100	150, 151	26Q10HA14	62, 167	26Q18R18	62
	26AZ50HA56	115	26MA20H90	150, 151	26Q10HA18	62, 167	26Q18R56	62
	26AZ50L14	115	26MA20H100	150, 151	26Q10HA56	62, 167	26Q20H14	62, 154
	26AZ50L56	115	26MA20L90	150, 151	26Q10L14	62, 186, 201, 219	26Q20H56	62
	26AZ50LR14	115	26MA20L100	150, 151	26Q10L18	62, 186, 201, 219	26Q20HA14	62, 167
	26AZ50LR56	115	26MA20LR90	150, 151	26Q10L56	62, 186, 201, 219	26Q20HA56	62, 167
	26AZ50R14	115	26MA20LR100	150, 151	26Q10LR14	62, 186, 201, 219	26Q20L14	62, 154, 186, 201, 219
Ratio multiplier	26AZ50R56	115	26MA20R90	150, 151	26Q10LR18	62, 186, 201, 219	26Q20L56	62, 186, 201, 219
	26AZ60H14	115	26MA20R100	150, 151	26Q10LR56	62, 186, 201, 219	26Q20LR14	62, 154, 186, 201, 219
	26AZ60H56	115	26MA25H90	150, 151	26Q10R14	62, 186, 201, 219	26Q20LR56	62, 186, 201, 219
	26AZ60HA14	115	26MA25H100	150, 151	26Q10R18	62, 186, 201, 219	26Q20R14	62, 154, 186, 201, 219
	26AZ60HA56	115	26MA25L90	150, 151	26Q10R56	62, 186, 201, 219	26Q20R56	62, 186, 201, 219
	26AZ60L14	115	26MA25L100	150, 151	26Q12H14	62	26Q25H14	62
	26AZ60L56	115	26MA25LR90	150, 151	26Q12H18	62	26Q25H56	62, 154
	26AZ60LR14	115	26MA25LR100	150, 151	26Q12H56	62	26Q25HA14	62, 167
	26AZ60LR56	115	26MA25R90	150, 151	26Q12HA14	62	26Q25HA56	62, 167
	26AZ60R14	115	26MA25R100	150, 151	26Q12HA18	62	26Q25L14	62, 186, 201, 219
Accessories	26AZ60R56	115	26MA30H90	150, 151	26Q12HA56	62	26Q25L56	62, 154, 186, 201, 219
	26BASE	158	26MA30H100	150, 151	26Q12L14	62	26Q25LR14	62, 186, 201, 219
	26BRACKET	173	26MA30L90	150, 151	26Q12L18	62	26Q25LR56	62, 154, 186, 201, 219
	26BUSH035	165	26MA30L100	150, 151	26Q12L56	62	26Q25R14	62, 186, 201, 219
	26CLSDCOVER	178	26MA30LR90	150, 151	26Q12LR14	62	26Q25R56	62, 154, 186, 201, 219
	26DOWN30	175	26MA30LR100	150, 151	26Q12LR18	62	26Q30H14	62
	26JMOUNT	159	26MA30R90	150, 151	26Q12LR56	62	26Q30H56	62, 154
	26MA05H90	150, 151	26MA30R100	150, 151	26Q12R14	62	26Q30HA14	62, 167
	26MA05H100	150, 151	26OPENCOVER	178	26Q12R18	62	26Q30HA56	62, 167
	26MA05L90	150, 151	26PLUGIN	174	26Q12R56	62	26Q30L14	62, 186, 201, 219
Competitor Interchange	26MA05L100	150, 151	26Q05H14	62	26Q15H14	62, 154	26Q30L56	62, 154, 186, 201, 219
	26MA05LR90	150, 151	26Q05H18	62	26Q15H18	62	26Q30LR14	62, 186, 201, 219
	26MA05LR100	150, 151	26Q05HA14	62, 167	26Q15H56	62	26Q30LR56	62, 154, 186, 201, 219
	26MA05R90	150, 151	26Q05HA18	62, 167	26Q15HA14	62, 167	26Q30R14	62, 186, 201, 219
	26MA05R100	150, 151	26Q05L14	62, 186, 201, 219	26Q15HA18	62, 167	26Q30R56	62, 154, 186, 201, 219
	26MA07H90	150, 151	26Q05L18	62, 186, 201, 219	26Q15HA56	62, 167	26Q40H14	62
	26MA07H100	150, 151	26Q05LR14	62, 186, 201, 219	26Q15L14	62, 154, 186, 201, 219	26Q40H56	62, 154, 155
	26MA07L90	150, 151	26Q05LR18	62, 186, 201, 219	26Q15L18	62	26Q40HA14	62, 167
	26MA07L100	150, 151	26Q05R14	62, 186, 201, 219	26Q15L56	62, 186, 201, 219	26Q40HA56	62, 167
	26MA07LR90	150, 151	26Q05R18	62, 186, 201, 219	26Q15LR14	62, 154, 186, 201, 219	26Q40L14	62, 186, 201, 219
Renewal parts	26MA07LR100	150, 151	26Q07H14	62	26Q15LR18	62	26Q40L56	62, 154, 155, 186, 201, 219
	26MA07R90	150, 151	26Q07H18	62	26Q15LR56	62, 186, 201, 219	26Q40LR14	62, 186, 201, 219
	26MA07R100	150, 151	26Q07H56	62	26Q15R14	62, 154, 186, 201, 219	26Q40LR56	62, 154, 155, 186, 201, 219
	26MA10H90	150, 151	26Q07HA14	62, 167	26Q15R18	62	26Q40R14	62, 186, 201, 219
	26MA10H100	150, 151	26Q07HA18	62, 167	26Q15R56	62, 186, 201, 219	26Q40R56	62, 154, 155, 186, 201, 219
	26MA10L90	150, 151	26Q07HA56	62, 167	26Q18H14	62	26Q40R14	62, 186, 201, 219
	26MA10L100	150, 151	26Q07L14	62, 186, 201	26Q18H18	62	26Q40R56	62, 154, 155, 186, 201, 219
	26MA10LR90	150, 151	26Q07L18	62, 186, 201	26Q18H56	62		219
	26MA10LR100	150, 151	26Q07L56	62	26Q18HA14	62	26Q50H14	62
	26MA10R90	150, 151	26Q07LR14	62, 186, 201	26Q18HA18	62	26Q50H56	62, 155
Part number index	26MA10R100	150, 151	26Q07LR18	62, 186, 201	26Q18HA56	62	26Q50HA14	62, 167
	26MA15H90	150, 151	26Q07LR56	62	26Q18L14	62	26Q50HA56	62, 167
	26MA15H100	150, 151	26Q07R14	62, 186, 201	26Q18L18	62	26Q50L14	62
	26MA15L90	150, 151	26Q07R18	62, 186, 201	26Q18L56	62	26Q50L56	62, 155, 186, 201, 219
	26MA15L100	150, 151	26Q07R56	62	26Q18LR14	62	26Q50LR14	62

Part number	Page	Part Number	Page	Part number	Page	Part number	Page
26Q50LR56	62, 155, 186, 201, 219	26QZ10R18	114	26QZ40R14	114	26S20L	64
26Q50R14	62	26QZ10R56	114	26QZ40R56	114	26S20LR	64
26Q50R56	62, 155, 186, 201, 219	26QZ15H14	114	26QZ50H14	114	26S20R	64
26Q60H14	62	26QZ15H18	114	26QZ50H56	114	26S25H	64
26Q60H56	62, 155	26QZ15H56	114	26QZ50HA14	114	26S25HA	64, 167
26Q60HA14	62, 167	26QZ15HA14	114	26QZ50HA56	114	26S25L	64
26Q60HA56	62, 167	26QZ15HA18	114	26QZ50L14	114	26S25LR	64
26Q60L14	62	26QZ15HA56	114	26QZ50L56	114	26S25R	64
26Q60L56	62, 155, 186, 201, 219	26QZ15L14	114	26QZ50LR14	114	26S30H	64
26Q60LR14	62	26QZ15L18	114	26QZ50LR56	114	26S30HA	64, 167
26Q60LR56	62, 155, 186, 201, 219	26QZ15L56	114	26QZ50R14	114	26S30L	64
26Q60R14	62	26QZ15LR14	114	26QZ50R56	114	26S30LR	64
26Q60R56	62, 155, 186, 201, 219	26QZ15LR18	114	26QZ60H14	114	26S30R	64
26QHBRGKIT	229, 235	26QZ15LR56	114	26QZ60H56	114	26S40H	64
26QHSERVICEKIT	229	26QZ15R14	114	26QZ60HA14	114	26S40HA	64, 167
26QSBRGKIT	229, 235	26QZ15R18	114	26QZ60HA56	114	26S40L	64
26QSSERVICEKIT	229	26QZ15R56	114	26QZ60L14	114	26S40LR	64
26QZ05H14	114	26QZ20H14	114	26QZ60L56	114	26S40R	64
26QZ05H18	114	26QZ20H56	114	26QZ60LR14	114	26S50H	64
26QZ05HA14	114	26QZ20HA14	114	26QZ60LR56	114	26S50HA	64, 167
26QZ05HA18	114	26QZ20HA56	114	26QZ60R14	114	26S50L	64
26QZ05L14	114	26QZ20L14	114	26QZ60R56	114	26S50LR	64
26QZ05L18	114	26QZ20L56	114	26RISER	160	26S50R	64
26QZ05LR14	114	26QZ20LR14	114	26S05H	64	26S60H	64
26QZ05LR18	114	26QZ20LR56	114	26S05HA	64, 167	26S60HA	64, 167
26QZ05R14	114	26QZ20R14	114	26S05L	64	26S60L	64
26QZ05R18	114	26QZ20R56	114	26S05LR	64	26S60LR	64
26QZ07H14	114	26QZ25H14	114	26S05R	64	26S60R	64
26QZ07H18	114	26QZ25H56	114	26S07H	64	26SBASE	158
26QZ07H56	114	26QZ25HA14	114	26S07HA	64, 167	26SBUSH035	165
26QZ07HA14	114	26QZ25HA56	114	26S07L	64	26SFLANGE	164
26QZ07HA18	114	26QZ25L14	114	26S07LR	64	26SHAFTREV	177
26QZ07HA56	114	26QZ25L56	114	26S07R	64	26STBUSH100	165
26QZ07L14	114	26QZ25LR14	114	26S10H	64	26STBUSH103	165
26QZ07L18	114	26QZ25LR56	114	26S10HA	64, 167	26STBUSH104	165
26QZ07L56	114	26QZ25R14	114	26S10L	64	26STBUSH106	165
26QZ07LR14	114	26QZ25R56	114	26S10LR	64	26STBUSH107	165
26QZ07LR18	114	26QZ30H14	114	26S10R	64	26TBUSH100	165
26QZ07LR56	114	26QZ30H56	114	26S12H	64	26TBUSH103	165
26QZ07R14	114	26QZ30HA14	114	26S12HA	64	26TBUSH104	165
26QZ07R18	114	26QZ30HA56	114	26S12L	64	26TBUSH106	165
26QZ07R56	114	26QZ30L14	114	26S12LR	64	26TBUSH107	165
26QZ10H14	114	26QZ30L56	114	26S12R	64	26TIEROD	162
26QZ10H18	114	26QZ30LR14	114	26S15H	64	26ZBASE	158
26QZ10H56	114	26QZ30LR56	114	26S15HA	64, 167	26ZBRACKET	173
26QZ10HA14	114	26QZ30R14	114	26S15L	64	26ZJMOUNT	159
26QZ10HA18	114	26QZ30R56	114	26S15LR	64	26ZRISER	160
26QZ10HA56	114	26QZ40H14	114	26S15R	64	30A05H14	72
26QZ10L14	114	26QZ40H56	114	26S18H	64	30A05H18	72
26QZ10L18	114	26QZ40HA14	114	26S18HA	64	30A05L14	72, 204, 222
26QZ10L56	114	26QZ40HA56	114	26S18L	64	30A05L18	72, 204, 222
26QZ10LR14	114	26QZ40L14	114	26S18LR	64	30A05LR14	72, 204, 222
26QZ10LR18	114	26QZ40L56	114	26S18R	64	30A05LR18	72, 204, 222
26QZ10LR56	114	26QZ40LR14	114	26S20H	64	30A05R14	72, 204, 222
26QZ10R14	114	26QZ40LR56	114	26S20HA	64, 167	30A05R18	72, 204, 222

Metric Reducers –
Ratings & Dimensions

Ratio multiplier

Accessories

Competitor interchange

Renewal parts

Part number index

	Part number	Page	Part Number	Page	Part number	Page	Part number	Page	
Metric Reducers – Ratings & Dimensions	30A07H14	72	30A30LR56	72, 204, 222	30AZ10R14	117	30AZ50LR56	117	
	30A07H18	72	30A30R14	72, 204, 222	30AZ10R18	117	30AZ50R14	117	
	30A07L14	72	30A30R18	222	30AZ15H14	117	30AZ50R56	117	
	30A07L18	72	30A30R56	72, 204, 222	30AZ15H18	117	30AZ60H14	117	
	30A07LR14	72	30A40H14	72	30AZ15L14	117	30AZ60H56	117	
	30A07LR18	72	30A40H56	72	30AZ15L18	117	30AZ60L14	117	
	30A07R14	72	30A40L14	72, 204, 222	30AZ15LR14	117	30AZ60L56	117	
	30A07R18	72	30A40L56	72, 204, 222	30AZ15LR18	117	30AZ60LR14	117	
	30A10H14	72	30A40LR14	72, 204, 222	30AZ15R14	117	30AZ60LR56	117	
	30A10H18	72	30A40LR56	72, 204, 222	30AZ15R18	117	30AZ60R14	117	
	30A10L14	72, 204, 222	30A40R14	72, 204, 222	30AZ20H14	117	30AZ60R56	117	
	30A10L18	72, 204, 222	30A40R56	72, 204, 222	30AZ20H18	117	30BASE	158	
	30A10LR14	72, 204, 222	30A50H14	72	30AZ20H56	117	30BRACKET	173	
	30A10LR18	72, 204, 222	30A50H56	72	30AZ20L14	117	30BUSH100	165, 166	
	30A10R14	72, 204, 222	30A50L14	72, 204, 222	30AZ20L18	117	30DOWN35	175	
	30A10R18	72, 204, 222	30A50L56	72, 204, 222	30AZ20L56	117	30JMOUNT	159	
	Accessories	30A15H14	72	30A50LR14	72, 204, 222	30AZ20LR14	117	30Q05H14	68
		30A15H18	72	30A50LR56	72, 204, 222	30AZ20LR18	117	30Q05H18	68
30A15L14		72, 204, 222	30A50R14	72, 204, 222	30AZ20LR56	117	30Q05L14	68, 203, 221	
30A15L18		72, 204, 222	30A50R56	72, 204, 222	30AZ20R14	117	30Q05L18	68, 203, 221	
30A15LR14		72, 204, 222	30A60H14	72	30AZ20R18	117	30Q05LR14	68, 203, 221	
30A15LR18		72, 204, 222	30A60H56	72	30AZ20R56	117	30Q05LR18	68, 203, 221	
30A15R14		72, 204, 222	30A60L14	72, 204, 222	30AZ25H14	117	30Q05R14	68, 203, 221	
30A15R18		72, 222	30A60L56	72, 204, 222	30AZ25H18	117	30Q05R18	68, 203, 221	
30A20H14		72	30A60LR14	72, 204, 222	30AZ25H56	117	30Q07H14	68	
30A20H18		72	30A60LR56	72, 204, 222	30AZ25L14	117	30Q07H18	68	
30A20H56		72	30A60R14	72, 204, 222	30AZ25L18	117	30Q07L14	68	
30A20L14		72, 204, 222	30A60R56	72, 204, 222	30AZ25L56	117	30Q07L18	68	
Competitor Interchange	30A20L18	72, 204, 222	30A157R18	204	30AZ25LR14	117	30Q07LR14	68	
	30A20L56	72, 204	30AHBRGKIT	230, 235	30AZ25LR18	117	30Q07LR18	68	
	30A20LR14	72, 204, 222	30AHSERVICEKIT	230	30AZ25LR56	117	30Q07R14	68	
	30A20LR18	72, 204, 222	30ASBRGKIT	230, 235	30AZ25R14	117	30Q07R18	68	
	30A20LR56	72, 204	30ASSERVICEKIT	230	30AZ25R18	117	30Q10H14	68	
	30A20R14	72, 204, 222	30AZ05H14	117	30AZ25R56	117	30Q10H18	68	
	30A20R18	72, 204, 222	30AZ05H18	117	30AZ30H14	117	30Q10L14	68, 203, 221	
	30A20R56	72, 204	30AZ05L14	117	30AZ30H56	117	30Q10L18	68, 203, 221	
	30A25H14	72	30AZ05L18	117	30AZ30L14	117	30Q10LR14	68, 203, 221	
	30A25H18	72	30AZ05LR14	117	30AZ30L56	117	30Q10LR18	68, 203, 221	
	30A25H56	72	30AZ05LR18	117	30AZ30LR14	117	30Q10R14	68, 203, 221	
	30A25L14	72, 204, 222	30AZ05R14	117	30AZ30LR56	117	30Q10R18	68, 203, 221	
Renewal parts	30A25L18	72, 204, 222	30AZ05R18	117	30AZ30R14	117	30Q15H14	68, 154	
	30A25L56	72, 204	30AZ07H14	117	30AZ30R56	117	30Q15H18	68	
	30A25LR14	72, 204, 222	30AZ07H18	117	30AZ40H14	117	30Q15L14	68, 154, 203, 221	
	30A25LR18	72, 204, 222	30AZ07L14	117	30AZ40H56	117	30Q15L18	68, 203, 221	
	30A25LR56	72, 204	30AZ07L18	117	30AZ40L14	117	30Q15LR14	68, 154, 203, 221	
	30A25R14	72, 204, 222	30AZ07LR14	117	30AZ40L56	117	30Q15LR18	68, 203, 221	
	30A25R18	72, 204, 222	30AZ07LR18	117	30AZ40LR14	117	30Q15R14	68, 154, 203, 221	
	30A25R56	72, 204	30AZ07R14	117	30AZ40LR56	117	30Q15R18	68, 221	
	30A30H14	72	30AZ07R18	117	30AZ40R14	117	30Q20H14	68, 154	
	30A30H56	72	30AZ10H14	117	30AZ40R56	117	30Q20H18	68	
	30A30L14	72, 204, 222	30AZ10H18	117	30AZ50H14	117	30Q20H56	68	
	30A30L18	222	30AZ10L14	117	30AZ50H56	117	30Q20L14	68, 154, 203, 221	
Part number index	30A30L56	72, 204, 222	30AZ10L18	117	30AZ50L14	117	30Q20L18	68, 203, 221	
	30A30LR14	72, 204, 222	30AZ10LR14	117	30AZ50L56	117	30Q20L56	68, 203	
	30A30LR18	222	30AZ10LR18	117	30AZ50LR14	117	30Q20LR14	68, 154, 203, 221	

Part number	Page	Part Number	Page	Part number	Page	Part number	Page
30Q20LR18	68, 203, 221	30QSBGKIT	229, 235	30QZ25R14	116	30S20R	70
30Q20LR56	68, 203	30QSSERVICEKIT	229	30QZ25R18	116	30S25H	70
30Q20R14	68, 154, 203, 221	30QZ05H14	116	30QZ25R56	116	30S25L	70
30Q20R18	68, 203, 221	30QZ05H18	116	30QZ30H14	116	30S25LR	70
30Q20R56	68, 203	30QZ05L14	116	30QZ30H56	116	30S25R	70
30Q25H14	68, 154	30QZ05L18	116	30QZ30L14	116	30S30H	70
30Q25H18	68	30QZ05LR14	116	30QZ30L56	116	30S30L	70
30Q25H56	68	30QZ05LR18	116	30QZ30LR14	116	30S30LR	70
30Q25L14	68, 154, 203, 221	30QZ05R14	116	30QZ30LR56	116	30S30R	70
30Q25L18	68, 203, 221	30QZ05R18	116	30QZ30R14	116	30S40H	70
30Q25L56	68, 203	30QZ07H14	116	30QZ30R56	116	30S40L	70
30Q25LR14	68, 154, 203, 221	30QZ07H18	116	30QZ40H14	116	30S40LR	70
30Q25LR18	68, 203, 221	30QZ07L14	116	30QZ40H56	116	30S40R	70
30Q25LR56	68, 203	30QZ07L18	116	30QZ40L14	116	30S50H	70
30Q25R14	68, 154, 203, 221	30QZ07LR14	116	30QZ40L56	116	30S50L	70
30Q25R18	68, 203, 221	30QZ07LR18	116	30QZ40LR14	116	30S50LR	70
30Q25R56	68, 203	30QZ07R14	116	30QZ40LR56	116	30S50R	70
30Q30H14	68, 154	30QZ07R18	116	30QZ40R14	116	30S60H	70
30Q30H56	68	30QZ10H14	116	30QZ40R56	116	30S60L	70
30Q30L14	68, 154, 203, 221	30QZ10H18	116	30QZ50H14	116	30S60LR	70
30Q30L18	221	30QZ10L14	116	30QZ50H56	116	30S60R	70
30Q30L56	68, 203, 221	30QZ10L18	116	30QZ50L14	116	30SBASE	158
30Q30LR14	68, 154, 203, 221	30QZ10LR14	116	30QZ50L56	116	30SBUSH100	165, 166
30Q30LR18	221	30QZ10LR18	116	30QZ50LR14	116	30SFLANGE	164
30Q30LR56	68, 203, 221	30QZ10R14	116	30QZ50LR56	116	30SHAFTREV	177
30Q30R14	68, 154, 203, 221	30QZ10R18	116	30QZ50R14	116	30TIEROD	162
30Q30R18	221	30QZ15H14	116	30QZ50R56	116	30ZBASE	158
30Q30R56	68, 203, 221	30QZ15H18	116	30QZ60H14	116	30ZBRACKET	173
30Q40H14	68, 154	30QZ15L14	116	30QZ60H56	116	30ZJMOUNT	159
30Q40H56	68, 155	30QZ15L18	116	30QZ60L14	116	30ZRISER	160
30Q40L14	68, 154, 203, 221	30QZ15LR14	116	30QZ60L56	116	32A05H14	78
30Q40L56	68, 155, 203, 221	30QZ15LR18	116	30QZ60LR14	116	32A05H18	78
30Q40LR14	68, 154, 203, 221	30QZ15R14	116	30QZ60LR56	116	32A05L14	78, 189, 206, 224
30Q40LR56	68, 155, 203, 221	30QZ15R18	116	30QZ60R14	116	32A05L18	78, 189, 206, 224
30Q40R14	68, 154, 203, 221	30QZ20H14	116	30QZ60R56	116	32A05LR14	78, 189, 206, 224
30Q40R56	68, 155, 203, 221	30QZ20H18	116	30RISER	160	32A05LR18	78, 189, 206, 224
30Q50H14	68	30QZ20H56	116	30S05H	70	32A05R14	78, 189, 206, 224
30Q50H56	68, 155	30QZ20L14	116	30S05L	70	32A05R18	78, 189, 206, 224
30Q50L14	68, 203, 221	30QZ20L18	116	30S05LR	70	32A07H14	78
30Q50L56	68, 155, 203, 221	30QZ20L56	116	30S05R	70	32A07H18	78
30Q50LR14	68, 203, 221	30QZ20LR14	116	30S07H	70	32A07L14	78
30Q50LR56	68, 155, 203, 221	30QZ20LR18	116	30S07L	70	32A07L18	78
30Q50R14	68, 203, 221	30QZ20LR56	116	30S07LR	70	32A07LR14	78
30Q50R56	68, 155, 203, 221	30QZ20R14	116	30S07R	70	32A07LR18	78
30Q60H14	68	30QZ20R18	116	30S10H	70	32A07R14	78
30Q60H56	68, 155	30QZ20R56	116	30S10L	70	32A07R18	78
30Q60L14	68, 203, 221	30QZ25H14	116	30S10LR	70	32A10H14	78
30Q60L56	68, 155, 203, 221	30QZ25H18	116	30S10R	70	32A10H18	78
30Q60LR14	68, 203, 221	30QZ25H56	116	30S15H	70	32A10L14	78, 189, 206, 224
30Q60LR56	68, 155, 203, 221	30QZ25L14	116	30S15L	70	32A10L18	78, 189, 206, 224
30Q60R14	68, 203, 221	30QZ25L18	116	30S15LR	70	32A10L56	189
30Q60R56	68, 155, 203, 221	30QZ25L56	116	30S15R	70	32A10LR14	78, 189, 206, 224
30Q157R18	203	30QZ25LR14	116	30S20H	70	32A10LR18	78, 189, 206, 224
30QHBRGKIT	229, 235	30QZ25LR18	116	30S20L	70	32A10LR56	189
30QHSERVICEKIT	229	30QZ25LR56	116	30S20LR	70	32A10R14	78, 189, 206, 224

Metric Reducers –
Ratings & Dimensions

Ratio multiplier

Accessories

Competitor interchange

Renewal parts

Part number index

	Part number	Page	Part Number	Page	Part number	Page	Part number	Page	
Metric Reducers – Ratings & Dimensions	32A10R18	78, 189, 206, 224	32A40R56	78, 189, 206, 224	32AZ20L56	119	32Q05H18	74	
	32A10R56	189	32A50H14	78	32AZ20LR14	119	32Q05L14	74, 188, 205, 223	
	32A15H14	78	32A50H56	78	32AZ20LR18	119	32Q05L18	74, 188, 205, 223	
	32A15H18	78	32A50L14	78, 189, 206, 224	32AZ20LR56	119	32Q05LR14	74, 188, 205, 223	
	32A15L14	78, 189, 206, 224	32A50L56	78, 189, 206, 224	32AZ20R14	119	32Q05LR18	74, 188, 205, 223	
	32A15L18	78, 189, 206, 224	32A50LR14	78, 189, 206, 224	32AZ20R18	119	32Q05R14	74, 188, 205, 223	
	32A15L56	189	32A50LR56	78, 189, 206, 224	32AZ20R56	119	32Q05R18	74, 188, 205, 223	
	32A15LR14	78, 189, 206, 224	32A50R14	78, 189, 206, 224	32AZ25H14	119	32Q07H14	74	
	32A15LR18	78, 189, 206, 224	32A50R56	78, 189, 206, 224	32AZ25H18	119	32Q07H18	74	
	32A15LR56	189	32A60H14	78	32AZ25H56	119	32Q07L14	74	
	32A15R14	78, 189, 206, 224	32A60H56	78	32AZ25L14	119	32Q07L18	74	
	32A15R18	78, 189, 224	32A60L14	78, 189, 206, 224	32AZ25L18	119	32Q07LR14	74	
	32A15R56	189	32A60L56	78, 189, 206, 224	32AZ25L56	119	32Q07LR18	74	
	32A20H14	78	32A60LR14	78, 189, 206, 224	32AZ25LR14	119	32Q07R14	74	
	32A20H18	78	32A60LR56	78, 189, 206, 224	32AZ25LR18	119	32Q07R18	74	
	32A20H56	78	32A60R14	78, 189, 206, 224	32AZ25LR56	119	32Q10H14	74	
	Accessories	32A20L14	78, 189, 206, 224	32A60R56	78, 189, 206, 224	32AZ25R14	119	32Q10H18	74
		32A20L18	78, 189, 206, 224	32A157R18	206	32AZ25R18	119	32Q10L14	74, 188, 205, 223
32A20L56		78, 189	32AZ05H14	119	32AZ25R56	119	32Q10L18	74, 188, 205, 223	
32A20LR14		78, 189, 206, 224	32AZ05H18	119	32AZ30H14	119	32Q10L56	188	
32A20LR18		78, 189, 206, 224	32AZ05L14	119	32AZ30H56	119	32Q10LR14	74, 188, 205, 223	
32A20LR56		78, 189	32AZ05L18	119	32AZ30L14	119	32Q10LR18	74, 188, 205, 223	
32A20R14		78, 189, 206, 224	32AZ05LR14	119	32AZ30L56	119	32Q10LR56	188	
32A20R18		78, 189, 206, 224	32AZ05LR18	119	32AZ30LR14	119	32Q10R14	74, 188, 205, 223	
32A20R56		78, 189	32AZ05R14	119	32AZ30LR56	119	32Q10R18	74, 188, 205, 223	
32A25H14		78	32AZ05R18	119	32AZ30R14	119	32Q10R56	188	
32A25H18		78	32AZ07H14	119	32AZ30R56	119	32Q15H14	74	
32A25H56		78	32AZ07H18	119	32AZ40H14	119	32Q15H18	74	
32A25L14		78, 189, 206, 224	32AZ07L14	119	32AZ40H56	119	32Q15L14	74, 188, 205, 223	
32A25L18		78, 189, 206, 224	32AZ07L18	119	32AZ40L14	119	32Q15L18	74, 188, 205, 223	
32A25L56		78, 189	32AZ07LR14	119	32AZ40L56	119	32Q15L56	188	
32A25LR14		78, 189, 206, 224	32AZ07LR18	119	32AZ40LR14	119	32Q15LR14	74, 188, 205, 223	
32A25LR18		78, 189, 206, 224	32AZ07R14	119	32AZ40LR56	119	32Q15LR18	74, 188, 205, 223	
Renewal parts		32A25LR56	78, 189	32AZ07R18	119	32AZ40R14	119	32Q15LR56	188
	32A25R14	78, 189, 206, 224	32AZ10H14	119	32AZ40R56	119	32Q15R14	74, 188, 205, 223	
	32A25R18	78, 189, 206, 224	32AZ10H18	119	32AZ50H14	119	32Q15R18	74, 188, 223	
	32A25R56	78, 189	32AZ10L14	119	32AZ50H56	119	32Q15R56	188	
	32A30H14	78	32AZ10L18	119	32AZ50L14	119	32Q20H14	74	
	32A30H56	78	32AZ10LR14	119	32AZ50L56	119	32Q20H18	74	
	32A30L14	78, 189, 206, 224	32AZ10LR18	119	32AZ50LR14	119	32Q20H56	74	
	32A30L18	206, 224	32AZ10R14	119	32AZ50LR56	119	32Q20L14	74, 188, 205, 223	
	32A30L56	78, 189, 206, 224	32AZ10R18	119	32AZ50R14	119	32Q20L18	74, 188, 205, 223	
	32A30LR14	78, 189, 206, 224	32AZ15H14	119	32AZ50R56	119	32Q20L56	74, 188	
	32A30LR18	206, 224	32AZ15H18	119	32AZ60H14	119	32Q20LR14	74, 188, 205, 223	
	32A30LR56	78, 189, 206, 224	32AZ15L14	119	32AZ60H56	119	32Q20LR18	74, 188, 205, 223	
	32A30R14	78, 189, 206, 224	32AZ15L18	119	32AZ60L14	119	32Q20LR56	74, 188	
	32A30R18	206, 224	32AZ15LR14	119	32AZ60L56	119	32Q20R14	74, 188, 205, 223	
	32A30R56	78, 189, 206, 224	32AZ15LR18	119	32AZ60LR14	119	32Q20R18	74, 188, 205, 223	
	32A40H14	78	32AZ15R14	119	32AZ60LR56	119	32Q20R56	74, 188	
	32A40H56	78	32AZ15R18	119	32AZ60R14	119	32Q25H14	74	
	32A40L14	78, 189, 206, 224	32AZ20H14	119	32AZ60R56	119	32Q25H18	74	
32A40L56	78, 189, 206, 224	32AZ20H18	119	32BASE	158	32Q25H56	74		
32A40LR14	78, 189, 206, 224	32AZ20H56	119	32BRACKET	173	32Q25L14	74, 188, 205, 223		
32A40LR56	78, 189, 206, 224	32AZ20L14	119	32JMOUNT	159	32Q25L18	74, 188, 205, 223		
32A40R14	78, 189, 206, 224	32AZ20L18	119	32Q05H14	74	32Q25L56	74, 188		

Part number	Page	Part Number	Page	Part number	Page	Part number	Page
32Q25LR14	74, 188, 205, 223	32QZ07LR18	118	32QZ40LR14	118	32S50LR	76
32Q25LR18	74, 188, 205, 223	32QZ07R14	118	32QZ40LR56	118	32S50R	76
32Q25LR56	74, 188	32QZ07R18	118	32QZ40R14	118	32S60H	76
32Q25R14	74, 188, 205, 223	32QZ10H14	118	32QZ40R56	118	32S60L	76
32Q25R18	74, 188, 205, 223	32QZ10H18	118	32QZ50H14	118	32S60LR	76
32Q25R56	74, 188	32QZ10L14	118	32QZ50H56	118	32S60R	76
32Q30H14	74	32QZ10L18	118	32QZ50L14	118	32SHAFTREV	177
32Q30H56	74	32QZ10LR14	118	32QZ50L56	118	32ZBASE	158
32Q30L14	74, 188, 205, 223	32QZ10LR18	118	32QZ50LR14	118	32ZBRACKET	173
32Q30L18	205, 223	32QZ10R14	118	32QZ50LR56	118	32ZJMOUNT	159
32Q30L56	74, 188, 205, 223	32QZ10R18	118	32QZ50R14	118	32ZRISER	160
32Q30LR14	74, 188, 205, 223	32QZ15H14	118	32QZ50R56	118	35A05H14	84
32Q30LR18	205, 223	32QZ15H18	118	32QZ60H14	118	35A05H18	84
32Q30LR56	74, 188, 205, 223	32QZ15L14	118	32QZ60H56	118	35A05H21	84
32Q30R14	74, 188, 205, 223	32QZ15L18	118	32QZ60L14	118	35A05L14	84
32Q30R18	205, 223	32QZ15LR14	118	32QZ60L56	118	35A05L18	84
32Q30R56	74, 188, 205, 223	32QZ15LR18	118	32QZ60LR14	118	35A05L21	84
32Q40H14	74	32QZ15R14	118	32QZ60LR56	118	35A05LR14	84
32Q40H56	74	32QZ15R18	118	32QZ60R14	118	35A05LR18	84
32Q40L14	74, 188, 205, 223	32QZ20H14	118	32QZ60R56	118	35A05LR21	84
32Q40L56	74, 188, 205, 223	32QZ20H18	118	32RISER	160	35A05R14	84
32Q40LR14	74, 188, 205, 223	32QZ20H56	118	32S05H	76	35A05R18	84
32Q40LR56	74, 188, 205, 223	32QZ20L14	118	32S05L	76	35A05R21	84
32Q40R14	74, 188, 205, 223	32QZ20L18	118	32S05LR	76	35A07H14	84
32Q40R56	74, 188, 205, 223	32QZ20L56	118	32S05R	76	35A07H18	84
32Q50H14	74	32QZ20LR14	118	32S07H	76	35A07H21	84
32Q50H56	74	32QZ20LR18	118	32S07L	76	35A07L14	84
32Q50L14	74, 188, 205, 223	32QZ20LR56	118	32S07LR	76	35A07L18	84
32Q50L56	74, 188, 205, 223	32QZ20R14	118	32S07R	76	35A07L21	84
32Q50LR14	74, 188, 205, 223	32QZ20R18	118	32S10H	76	35A07LR14	84
32Q50LR56	74, 188, 205, 223	32QZ20R56	118	32S10L	76	35A07LR18	84
32Q50R14	74, 188, 205, 223	32QZ25H14	118	32S10LR	76	35A07LR21	84
32Q50R56	74, 188, 205, 223	32QZ25H18	118	32S10R	76	35A07R14	84
32Q60H14	74	32QZ25H56	118	32S15H	76	35A07R18	84
32Q60H56	74	32QZ25L14	118	32S15L	76	35A07R21	84
32Q60L14	74, 188, 205, 223	32QZ25L18	118	32S15LR	76	35A10H14	84
32Q60L56	74, 188, 205, 223	32QZ25L56	118	32S15R	76	35A10H18	84
32Q60LR14	74, 188, 205, 223	32QZ25LR14	118	32S20H	76	35A10H21	84
32Q60LR56	74, 188, 205, 223	32QZ25LR18	118	32S20L	76	35A10L14	84
32Q60R14	74, 188, 205, 223	32QZ25LR56	118	32S20LR	76	35A10L18	84
32Q60R56	74, 188, 205, 223	32QZ25R14	118	32S20R	76	35A10L21	84
32Q157R18	205	32QZ25R18	118	32S25H	76	35A10LR14	84
32QZ05H14	118	32QZ25R56	118	32S25L	76	35A10LR18	84
32QZ05H18	118	32QZ30H14	118	32S25LR	76	35A10LR21	84
32QZ05L14	118	32QZ30H56	118	32S25R	76	35A10R14	84
32QZ05L18	118	32QZ30L14	118	32S30H	76	35A10R18	84
32QZ05LR14	118	32QZ30L56	118	32S30L	76	35A10R21	84
32QZ05LR18	118	32QZ30LR14	118	32S30LR	76	35A12H14	84
32QZ05R14	118	32QZ30LR56	118	32S30R	76	35A12H18	84
32QZ05R18	118	32QZ30R14	118	32S40H	76	35A12H21	84
32QZ07H14	118	32QZ30R56	118	32S40L	76	35A12L14	84
32QZ07H18	118	32QZ40H14	118	32S40LR	76	35A12L18	84
32QZ07L14	118	32QZ40H56	118	32S40R	76	35A12L21	84
32QZ07L18	118	32QZ40L14	118	32S50H	76	35A12LR14	84
32QZ07LR14	118	32QZ40L56	118	32S50L	76	35A12LR18	84

Metric Reducers –
Ratings & Dimensions

Ratio multiplier

Accessories

Competitor interchange

Renewal parts

Part number index

	Part number	Page	Part Number	Page	Part number	Page	Part number	Page
Metric Reducers – Ratings & Dimensions	35A12LR21	84	35A50L56	84	35AZ15L14	121	35AZ60H56	121
	35A12R14	84	35A50LR14	84	35AZ15L18	121	35AZ60L14	121
	35A12R18	84	35A50LR56	84	35AZ15LR14	121	35AZ60L56	121
	35A12R21	84	35A50R14	84	35AZ15LR18	121	35AZ60LR14	121
	35A15H14	84	35A50R56	84	35AZ15R14	121	35AZ60LR56	121
	35A15H18	84	35A60H14	84	35AZ15R18	121	35AZ60R14	121
	35A15L14	84	35A60H56	84	35AZ20H14	121	35AZ60R56	121
	35A15L18	84	35A60L14	84	35AZ20H18	121	35BASE	158
	35A15LR14	84	35A60L56	84	35AZ20L14	121	35BRACKET	173
	35A15LR18	84	35A60LR14	84	35AZ20L18	121	35CLSDCOVER	178
	35A15R14	84	35A60LR56	84	35AZ20LR14	121	35JMOUNT	159
	35A15R18	84	35A60R14	84	35AZ20LR18	121	35PLUGIN	174
	35A20H14	84	35A60R56	84	35AZ20R14	121	35Q05H14	80
	35A20H18	84	35AHBRGKIT	230, 235	35AZ20R18	121	35Q05H18	80
	35A20L14	84	35AHSERVICEKIT	230	35AZ25H14	121	35Q05H21	80
	35A20L18	84	35ASBRGKIT	230, 235	35AZ25H18	121	35Q05L14	80
	35A20LR14	84	35ASSERVICEKIT	230	35AZ25L14	121	35Q05L18	80
	Accessories	35A20LR18	84	35AZ05H14	121	35AZ25L18	121	35Q05L21
35A20R14		84	35AZ05H18	121	35AZ25LR14	121	35Q05LR14	80
35A20R18		84	35AZ05H21	121	35AZ25LR18	121	35Q05LR18	80
35A25H14		84	35AZ05L14	121	35AZ25R14	121	35Q05LR21	80
35A25H18		84	35AZ05L18	121	35AZ25R18	121	35Q05R14	80
35A25L14		84	35AZ05L21	121	35AZ30H14	121	35Q05R18	80
35A25L18		84	35AZ05LR14	121	35AZ30H18	121	35Q05R21	80
35A25LR14		84	35AZ05LR18	121	35AZ30H56	121	35Q07H14	80
35A25LR18		84	35AZ05LR21	121	35AZ30L14	121	35Q07H18	80
35A25R14		84	35AZ05R14	121	35AZ30L18	121	35Q07H21	80
35A25R18		84	35AZ05R18	121	35AZ30L56	121	35Q07L14	80
35A30H14		84	35AZ05R21	121	35AZ30LR14	121	35Q07L18	80
35A30H18		84	35AZ07H14	121	35AZ30LR18	121	35Q07L21	80
35A30H56		84	35AZ07H18	121	35AZ30LR56	121	35Q07LR14	80
35A30L14		84	35AZ07H21	121	35AZ30R14	121	35Q07LR18	80
35A30L18		84	35AZ07L14	121	35AZ30R18	121	35Q07LR21	80
35A30L56		84	35AZ07L18	121	35AZ30R56	121	35Q07R14	80
Renewal parts		35A30LR14	84	35AZ07L21	121	35AZ40H14	121	35Q07R18
	35A30LR18	84	35AZ07LR14	121	35AZ40H18	121	35Q07R21	80
	35A30LR56	84	35AZ07LR18	121	35AZ40H56	121	35Q10H14	80
	35A30R14	84	35AZ07LR21	121	35AZ40L14	121	35Q10H18	80
	35A30R18	84	35AZ07R14	121	35AZ40L18	121	35Q10H21	80
	35A30R56	84	35AZ07R18	121	35AZ40L56	121	35Q10L14	80
	35A40H14	84	35AZ07R21	121	35AZ40LR14	121	35Q10L18	80
	35A40H18	84	35AZ10H14	121	35AZ40LR18	121	35Q10L21	80
	35A40H56	84	35AZ10H18	121	35AZ40LR56	121	35Q10LR14	80
	35A40L14	84	35AZ10H21	121	35AZ40R14	121	35Q10LR18	80
	35A40L18	84	35AZ10L14	121	35AZ40R18	121	35Q10LR21	80
	35A40L56	84	35AZ10L18	121	35AZ40R56	121	35Q10R14	80
	35A40LR14	84	35AZ10L21	121	35AZ50H14	121	35Q10R18	80
	35A40LR18	84	35AZ10LR14	121	35AZ50H56	121	35Q10R21	80
	35A40LR56	84	35AZ10LR18	121	35AZ50L14	121	35Q12H14	80
	35A40R14	84	35AZ10LR21	121	35AZ50L56	121	35Q12H18	80
	35A40R18	84	35AZ10R14	121	35AZ50LR14	121	35Q12H21	80
	35A40R56	84	35AZ10R18	121	35AZ50LR56	121	35Q12L14	80
Part number index	35A50H14	84	35AZ10R21	121	35AZ50R14	121	35Q12L18	80
	35A50H56	84	35AZ15H14	121	35AZ50R56	121	35Q12L21	80
	35A50L14	84	35AZ15H18	121	35AZ60H14	121	35Q12LR14	80

Part number	Page	Part Number	Page	Part number	Page	Part number	Page
35Q12LR18	80	35Q50L14	80, 155	35QZ15H18	120	35QZ60H14	120
35Q12LR21	80	35Q50L56	80	35QZ15L14	120	35QZ60H56	120
35Q12R14	80	35Q50LR14	80, 155	35QZ15L18	120	35QZ60L14	120
35Q12R18	80	35Q50LR56	80	35QZ15LR14	120	35QZ60L56	120
35Q12R21	80	35Q50R14	80, 155	35QZ15LR18	120	35QZ60LR14	120
35Q15H14	80, 154	35Q50R56	80	35QZ15R14	120	35QZ60LR56	120
35Q15H18	80	35Q60H14	155	35QZ15R18	120	35QZ60R14	120
35Q15L14	80, 154	35Q60H56	155	35QZ20H14	120	35QZ60R56	120
35Q15L18	80	35Q60L14	80, 155	35QZ20H18	120	35RISER	160
35Q15LR14	80, 154	35Q60L56	80, 155	35QZ20L14	120	35S05H	82
35Q15LR18	80	35Q60LR14	155	35QZ20L18	120	35S05L	82
35Q15R14	80, 154	35Q60LR56	155	35QZ20LR14	120	35S05LR	82
35Q15R18	80	35Q60R14	80, 155	35QZ20LR18	120	35S05R	82
35Q20H14	80, 154	35Q60R56	80, 155	35QZ20R14	120	35S07H	82
35Q20H18	80	35QHBRGKIT	229, 235	35QZ20R18	120	35S07L	82
35Q20L14	80, 154	35QHSERVICEKIT	229	35QZ25H14	120	35S07LR	82
35Q20L18	80	35QSBRGKIT	229, 235	35QZ25H18	120	35S07R	82
35Q20LR14	80, 154	35QSSERVICEKIT	229	35QZ25L14	120	35S10H	82
35Q20LR18	80	35QZ05H14	120	35QZ25L18	120	35S10L	82
35Q20R14	80, 154	35QZ05H18	120	35QZ25LR14	120	35S10LR	82
35Q20R18	80	35QZ05H21	120	35QZ25LR18	120	35S10R	82
35Q25H14	80, 154	35QZ05L14	120	35QZ25R14	120	35S12H	82
35Q25H18	80	35QZ05L18	120	35QZ25R18	120	35S12L	82
35Q25L14	80, 154	35QZ05L21	120	35QZ30H14	120	35S12LR	82
35Q25L18	80	35QZ05LR14	120	35QZ30H18	120	35S12R	82
35Q25LR14	80, 154	35QZ05LR18	120	35QZ30H56	120	35S15H	82
35Q25LR18	80	35QZ05LR21	120	35QZ30L14	120	35S15L	82
35Q25R14	80, 154	35QZ05R14	120	35QZ30L18	120	35S15LR	82
35Q25R18	80	35QZ05R18	120	35QZ30L56	120	35S15R	82
35Q30H14	80, 154	35QZ05R21	120	35QZ30LR14	120	35S20H	82
35Q30H18	80	35QZ07H14	120	35QZ30LR18	120	35S20L	82
35Q30H56	80	35QZ07H18	120	35QZ30LR56	120	35S20LR	82
35Q30L14	80, 154	35QZ07H21	120	35QZ30R14	120	35S20R	82
35Q30L18	80	35QZ07L14	120	35QZ30R18	120	35S25H	82
35Q30L56	80	35QZ07L18	120	35QZ30R56	120	35S25L	82
35Q30LR14	80, 154	35QZ07L21	120	35QZ40H14	120	35S25LR	82
35Q30LR18	80	35QZ07LR14	120	35QZ40H18	120	35S25R	82
35Q30LR56	80	35QZ07LR18	120	35QZ40H56	120	35S30H	82
35Q30R14	80, 154	35QZ07LR21	120	35QZ40L14	120	35S30L	82
35Q30R18	80	35QZ07R14	120	35QZ40L18	120	35S30LR	82
35Q30R56	80	35QZ07R18	120	35QZ40L56	120	35S30R	82
35Q40H14	80, 154, 155	35QZ07R21	120	35QZ40LR14	120	35S40H	82
35Q40H18	80	35QZ10H14	120	35QZ40LR18	120	35S40L	82
35Q40H56	80	35QZ10H18	120	35QZ40LR56	120	35S40LR	82
35Q40L14	80, 154, 155	35QZ10H21	120	35QZ40R14	120	35S40R	82
35Q40L18	80	35QZ10L14	120	35QZ40R18	120	35S50H	82
35Q40L56	80	35QZ10L18	120	35QZ40R56	120	35S50L	82
35Q40LR14	80, 154, 155	35QZ10L21	120	35QZ50H14	120	35S50LR	82
35Q40LR18	80	35QZ10LR14	120	35QZ50H18	120	35S50R	82
35Q40LR56	80	35QZ10LR18	120	35QZ50L14	120	35S60H	82
35Q40R14	80, 154, 155	35QZ10LR21	120	35QZ50L56	120	35S60L	82
35Q40R18	80	35QZ10R14	120	35QZ50LR14	120	35S60LR	82
35Q40R56	80	35QZ10R18	120	35QZ50LR56	120	35S60R	82
35Q50H14	80, 155	35QZ10R21	120	35QZ50R14	120	35SHAFTREV	177
35Q50H56	80	35QZ15H14	120	35QZ50R56	120	35ZBASE	158

Metric Reducers –
Ratings & Dimensions

Ratio multiplier

Accessories

Competitor interchange

Renewal parts

Part number index

	Part number	Page	Part Number	Page	Part number	Page	Part number	Page
Metric Reducers – Ratings & Dimensions	35ZBRACKET	173	38A20R18	90, 190, 226	38Q05R18	86, 225	38Q30L56	86, 225
	35ZJMOUNT	159	38A20R21	190	38Q05R21	86, 190, 225	38Q30LR14	86, 225
	35ZRISER	160	38A25L14	90, 226	38Q07L14	86	38Q30LR18	86, 190, 225
	38A05L14	90, 226	38A25L18	90, 190, 226	38Q07L18	86	38Q30LR56	86
	38A05L18	90, 226	38A25LR14	90, 226	38Q07L21	86	38Q30R14	86, 225
	38A05L21	90, 190, 226	38A25LR18	90, 190, 226	38Q07LR14	86	38Q30R18	86, 190, 225
	38A05LR14	90, 226	38A25R14	90, 226	38Q07LR18	86	38Q30R56	86
	38A05LR18	90, 226	38A25R18	90, 190, 226	38Q07LR21	86	38Q35LR56	225
	38A05LR21	90, 190, 226	38A30L14	90, 226	38Q07R14	86	38Q35R56	225
	38A05R14	90, 226	38A30L18	90, 190, 226	38Q07R18	86	38Q38L18	190
Ratio multiplier	38A05R18	90, 226	38A30L56	90, 226	38Q07R21	86	38Q38LR18	190
	38A05R21	90, 190, 226	38A30LR14	90, 226	38Q10L14	86, 225	38Q38R18	190
	38A07L14	90	38A30LR18	90, 190, 226	38Q10L18	86, 225	38Q40L14	86, 190, 225
	38A07L18	90	38A30LR56	90, 226	38Q10L21	86, 190, 225	38Q40L18	86, 225
	38A07L21	90	38A30R14	90, 226	38Q10LR14	86, 225	38Q40L56	86, 225
	38A07LR14	90	38A30R18	90, 190, 226	38Q10LR18	86, 225	38Q40LR14	86, 190, 225
	38A07LR18	90	38A30R56	90, 226	38Q10LR21	86, 190, 225	38Q40LR18	86, 225
	38A07LR21	90	38A38L18	190	38Q10R14	86, 225	38Q40LR56	86, 225
	38A07R14	90	38A38LR18	190	38Q10R18	86, 225	38Q40R14	86, 190, 225
	38A07R18	90	38A38R18	190	38Q10R21	86, 190, 225	38Q40R18	86, 225
Accessories	38A07R21	90	38A40L14	90, 190, 226	38Q12L14	86	38Q40R56	86, 225
	38A10L14	90, 226	38A40L18	90, 226	38Q12L18	86	38Q50L14	86, 190, 225
	38A10L18	90, 226	38A40L56	90, 226	38Q12L21	86	38Q50L18	190
	38A10L21	90, 190, 226	38A40LR14	90, 190, 226	38Q12LR14	86	38Q50L56	86, 225
	38A10LR14	90, 226	38A40LR18	90, 226	38Q12LR18	86	38Q50LR14	86, 190, 225
	38A10LR18	90, 226	38A40LR56	90, 226	38Q12LR21	86	38Q50LR18	190
	38A10LR21	90, 190, 226	38A40R14	90, 190, 226	38Q12R14	86	38Q50LR56	86, 225
	38A10R14	90, 226	38A40R18	90, 226	38Q12R18	86	38Q50R14	86, 190, 225
	38A10R18	90, 226	38A40R56	90, 226	38Q12R21	86	38Q50R18	190
	38A10R21	90, 190, 226	38A50L14	90, 190, 226	38Q15L14	86, 225	38Q50R56	86, 225
Competitor Interchange	38A12L14	90	38A50L18	190	38Q15L18	86, 190, 225	38Q60L14	86, 190, 225
	38A12L18	90	38A50L56	90, 226	38Q15L21	190	38Q60L18	190
	38A12L21	90	38A50LR14	90, 190, 226	38Q15LR14	86, 225	38Q60L56	86, 225
	38A12LR14	90	38A50LR18	190	38Q15LR18	86, 190, 225	38Q60LR14	86, 190, 225
	38A12LR18	90	38A50LR56	90, 226	38Q15LR21	190	38Q60LR18	190
	38A12LR21	90	38A50R14	90, 190, 226	38Q15R14	86, 225	38Q60LR56	86, 225
	38A12R14	90	38A50R18	190	38Q15R18	86, 190, 225	38Q60R14	86, 190, 225
	38A12R18	90	38A50R56	90, 226	38Q15R21	190	38Q60R18	190
	38A12R21	90	38A60L14	90, 190, 226	38Q20L14	86, 225	38Q60R56	86, 225
	38A15L14	90, 226	38A60L18	190	38Q20L18	86, 190, 225	38SHAFTREV	177
Renewal parts	38A15L18	90, 190, 226	38A60L56	90, 226	38Q20L21	190	40A05H21	96
	38A15L21	190	38A60LR14	90, 190, 226	38Q20LR14	86, 225	40A05H25	96
	38A15LR14	90, 226	38A60LR18	190	38Q20LR18	86, 190, 225	40A05L21	96, 208, 228
	38A15LR18	90, 190, 226	38A60LR56	90, 226	38Q20LR21	190	40A05L25	96, 208, 228
	38A15LR21	190	38A60R14	90, 190, 226	38Q20R14	86, 225	40A05LR21	96, 208, 228
	38A15R14	90, 226	38A60R18	190	38Q20R18	86, 190, 225	40A05LR25	96, 208, 228
	38A15R18	90, 190, 226	38A60R56	90, 226	38Q20R21	190	40A05R21	96, 208, 228
	38A15R21	190	38BASE	158	38Q25L14	86, 225	40A05R25	96, 208, 228
	38A20L14	90, 226	38Q05L14	86, 225	38Q25L18	86, 190, 225	40A07H21	96
	38A20L18	90, 190, 226	38Q05L18	86, 225	38Q25LR14	86, 225	40A07H25	96
Part number index	38A20L21	190	38Q05L21	86, 190, 225	38Q25LR18	86, 190, 225	40A07L21	96
	38A20LR14	90, 226	38Q05LR14	86, 225	38Q25R14	86, 225	40A07L25	96
	38A20LR18	90, 190, 226	38Q05LR18	86, 225	38Q25R18	86, 190, 225	40A07LR21	96
	38A20LR21	190	38Q05LR21	86, 190, 225	38Q30L14	86, 225	40A07LR25	96
	38A20R14	90, 226	38Q05R14	86, 225	38Q30L18	86, 190, 225	40A07R21	96

Part number	Page	Part Number	Page	Part number	Page	Part number	Page
40A07R25	96	40ASBRGKIT	230, 235	40Q30L14	154	40S25H	94
40A10H21	96	40ASSERVICEKIT	230	40Q30L18	92, 207, 227	40S25L	94
40A10L21	96, 208, 228	40BASE	158	40Q30LR14	154	40S25LR	94
40A10LR21	96, 208, 228	40BUSH040	166	40Q30LR18	92, 207, 227	40S25R	94
40A10R21	96, 208, 228	40BUSH112	166	40Q30R14	154	40S30H	94
40A15H18	96	40CLSDCOVER	178	40Q30R18	92, 207, 227	40S30L	94
40A15H21	96	40JMOUNT	159	40Q40H14	92, 154	40S30LR	94
40A15L18	96, 208, 228	40OPENCOVER	178	40Q40H18	92	40S30R	94
40A15L21	96, 208, 228	40PLUGIN	174	40Q40L14	92, 154, 207, 227	40S40H	94
40A15LR18	96, 208, 228	40Q05H21	92	40Q40L18	92, 207, 227	40S40L	94
40A15LR21	96, 208, 228	40Q05H25	92	40Q40LR14	92, 154, 207, 227	40S40LR	94
40A15R18	96, 208, 228	40Q05L21	92, 207, 227	40Q40LR18	92, 207, 227	40S40R	94
40A15R21	96, 208, 228	40Q05L25	92, 207, 227	40Q40R14	92, 154, 207, 227	40S50H	94
40A20H18	96	40Q05LR21	92, 207, 227	40Q40R18	92, 207, 227	40S50L	94
40A20H21	96	40Q05LR25	92, 207, 227	40Q50H14	92	40S50LR	94
40A20L18	96, 208, 228	40Q05R21	92, 207, 227	40Q50H18	92	40S50R	94
40A20L21	96, 208, 228	40Q05R25	92, 207, 227	40Q50L14	92, 155, 207, 227	40S60H	94
40A20LR18	96, 208, 228	40Q07H21	92	40Q50L18	92, 207, 227	40S60L	94
40A20LR21	96, 208, 228	40Q07H25	92	40Q50LR14	92, 155, 207, 227	40S60LR	94
40A20R18	96, 208, 228	40Q07L21	92	40Q50LR18	92, 207, 227	40S60R	94
40A20R21	96, 208, 228	40Q07L25	92	40Q50R14	92, 155, 207, 227	40SHAFTREV	177
40A25H18	96	40Q07LR21	92	40Q50R18	92, 207, 227	40SPACER	158
40A25L18	96, 208, 228	40Q07LR25	92	40Q60H14	92, 155	40TBUSH107	166
40A25LR18	96, 208, 228	40Q07R21	92	40Q60H18	92	40TBUSH108	166
40A25R18	96, 208, 228	40Q07R25	92	40Q60L14	92, 155, 207, 227	40TBUSH111	166
40A30H18	96	40Q10H21	92	40Q60L18	92, 207, 227	40TIEROD	162
40A30L18	96, 208, 228	40Q10L21	92, 207, 227	40Q60LR14	92, 155, 207, 227	47A05H25	102
40A30LR18	96, 208, 228	40Q10LR21	92, 207, 227	40Q60LR18	92, 207, 227	47A05L25	102
40A30R18	96, 208, 228	40Q10R21	92, 207, 227	40Q60R14	92, 155, 207, 227	47A05LR25	102
40A40H14	96	40Q15H18	92	40Q60R18	92, 207, 227	47A05R25	102
40A40H18	96	40Q15H21	92	40QHBRGKIT	229, 235	47A07H25	102
40A40L14	96, 208, 228	40Q15L18	92, 207, 227	40QHSERVICEKIT	229	47A07L25	102
40A40L18	96, 208, 228	40Q15L21	92, 207, 227	40QSBRGKIT	229, 235	47A07LR25	102
40A40LR14	96, 208, 228	40Q15LR18	92, 207, 227	40QSSERVICEKIT	229	47A07R25	102
40A40LR18	96, 208, 228	40Q15LR21	92, 207, 227	40RISER	160	47A10H21	102
40A40R14	96, 208, 228	40Q15R18	92, 207, 227	40S05H	94	47A10H25	102
40A40R18	96, 208, 228	40Q15R21	92, 207, 227	40S05L	94	47A10L21	102
40A50H14	96	40Q20H18	92	40S05LR	94	47A10L25	102
40A50H18	96	40Q20H21	92	40S05R	94	47A10LR21	102
40A50L14	96, 208, 228	40Q20L18	92, 207, 227	40S07H	94	47A10LR25	102
40A50L18	96, 208, 228	40Q20L21	92, 207, 227	40S07L	94	47A10R21	102
40A50LR14	96, 208, 228	40Q20LR18	92, 207, 227	40S07LR	94	47A10R25	102
40A50LR18	96, 208, 228	40Q20LR21	92, 207, 227	40S07R	94	47A15H21	102
40A50R14	96, 208, 228	40Q20R18	92, 207, 227	40S10H	94	47A15L21	102
40A50R18	96, 208, 228	40Q20R21	92, 207, 227	40S10L	94	47A15LR21	102
40A60H14	96	40Q25H14	154	40S10LR	94	47A15R21	102
40A60H18	96	40Q25H18	92	40S10R	94	47A20H21	102
40A60L14	96, 208, 228	40Q25L14	154	40S15H	94	47A20L21	102
40A60L18	96, 208, 228	40Q25L18	92, 207, 227	40S15L	94	47A20LR21	102
40A60LR14	96, 208, 228	40Q25LR14	154	40S15LR	94	47A20R21	102
40A60LR18	96, 208, 228	40Q25LR18	92, 207, 227	40S15R	94	47A25H18	102
40A60R14	96, 208, 228	40Q25R14	154	40S20H	94	47A25H21	102
40A60R18	96, 208, 228	40Q25R18	92, 207, 227	40S20L	94	47A25L18	102
40AHBRGKIT	230, 235	40Q30H14	154	40S20LR	94	47A25L21	102
40AHSERVICEKIT	230	40Q30H18	92	40S20R	94	47A25LR18	102

Metric Reducers –
Ratings & Dimensions

Ratio multiplier

Accessories

Competitor interchange

Renewal parts

Part number index

	Part number	Page	Part Number	Page	Part number	Page	Part number	Page
Metric Reducers – Ratings & Dimensions	47A25LR21	102	47Q25LR21	98	47S40R	100	176Q07L14	38
	47A25R18	102	47Q25R18	98	47S50H	100	176Q07L56	38
	47A25R21	102	47Q25R21	98	47S50L	100	176Q07R14	38
	47A30H18	102	47Q30H18	98	47S50LR	100	176Q07R56	38
	47A30L18	102	47Q30L18	98	47S50R	100	176Q10L14	38
	47A30LR18	102	47Q30LR18	98	47S60H	100	176Q10L56	38
	47A30R18	102	47Q30R18	98	47S60L	100	176Q10R14	38
	47A40H18	102	47Q40H18	98	47S60LR	100	176Q10R56	38
	47A40L18	102	47Q40L18	98	47S60R	100	176Q15L14	38
	47A40LR18	102	47Q40LR18	98	47SHAFTREV	177	176Q15L56	38
Ratio multiplier	47A40R18	102	47Q40R18	98	47TBUSH115	166	176Q15R14	38
	47A50H18	102	47Q50H18	98	47TBUSH203	166	176Q15R56	38
	47A50L18	102	47Q50L18	98	47TIEROD	162	176Q20L14	38
	47A50LR18	102	47Q50LR18	98	156HA256	156	176Q20L56	38
	47A50R18	102	47Q50R18	98	156HA356	156	176Q20R14	38
	47A60H18	102	47Q60H18	98	156HA456	154, 155, 156	176Q20R56	38
	47A60L18	102	47Q60L18	98	156HA556	154, 155, 156	176Q25L56	38
	47A60LR18	102	47Q60LR18	98	156HAZ256	156	176Q25R56	38
	47A60R18	102	47Q60R18	98	156HAZ356	156	176Q30L56	38
	47AHBRGKIT	230, 235	47QHBRGKIT	229, 235	156HAZ456	156	176Q30R56	38
Accessories	47AHSERVICEKIT	230	47QHSERVICEKIT	229	156HAZ556	156	176Q40L56	38
	47ASBRGKIT	230, 235	47QSBRGKIT	229, 235	176A05L14	39	176Q40R56	38
	47ASSERVICEKIT	230	47QSSERVICEKIT	229	176A05L56	39	176Q50L56	38
	47BASE	158	47RISER	160	176A05R14	39	176Q50R56	38
	47JMOUNT	159	47S05H	100	176A05R56	39	176Q60L56	38
	47PLUGIN	174	47S05L	100	176A07L14	39	176Q60R56	38
	47Q05H25	98	47S05LR	100	176A07L56	39	202A05L14	47
	47Q05L25	98	47S05R	100	176A07R14	39	202A05L56	47
	47Q05LR25	98	47S07H	100	176A07R56	39	202A05R14	47
	47Q05R25	98	47S07L	100	176A10L14	39	202A05R56	47
Competitor Interchange	47Q07H25	98	47S07LR	100	176A10L56	39	202A07L14	47
	47Q07L25	98	47S07R	100	176A10R14	39	202A07L56	47
	47Q07LR25	98	47S10H	100	176A10R56	39	202A07R14	47
	47Q07R25	98	47S10L	100	176A15L14	39	202A07R56	47
	47Q10H21	98	47S10LR	100	176A15L56	39	202A10L14	47
	47Q10H25	98	47S10R	100	176A15R14	39	202A10L56	47
	47Q10L21	98	47S15H	100	176A15R56	39	202A10R14	47
	47Q10L25	98	47S15L	100	176A20L14	39	202A10R56	47
	47Q10LR21	98	47S15LR	100	176A20L56	39	202A15L14	47
	47Q10LR25	98	47S15R	100	176A20R14	39	202A15L56	47
Renewal parts	47Q10R21	98	47S20H	100	176A20R56	39	202A15R14	47
	47Q10R25	98	47S20L	100	176A25L56	39	202A15R56	47
	47Q15H21	98	47S20LR	100	176A25R56	39	202A20L14	47
	47Q15L21	98	47S20R	100	176A30L56	39	202A20L56	47
	47Q15LR21	98	47S25H	100	176A30R56	39	202A20R14	47
	47Q15R21	98	47S25L	100	176A40L56	39	202A20R56	47
	47Q20H21	98	47S25LR	100	176A40R56	39	202A25L56	47
	47Q20L21	98	47S25R	100	176A50L56	39	202A25R56	47
	47Q20LR21	98	47S30H	100	176A50R56	39	202A30L56	47
	47Q20R21	98	47S30L	100	176A60L56	39	202A30R56	47
Part number index	47Q25H18	98	47S30LR	100	176A60R56	39	202A40L56	47
	47Q25H21	98	47S30R	100	176Q05L14	38	202A40R56	47
	47Q25L18	98	47S40H	100	176Q05L56	38	202A50L56	47
	47Q25L21	98	47S40L	100	176Q05R14	38	202A50R56	47
	47Q25LR18	98	47S40LR	100	176Q05R56	38	202A60L56	47

Part number	Page	Part Number	Page	Part number	Page	Part number	Page
202A60R56	47	232A10L56	61	232Q50R56	60	3035SBUSH112	165, 166
202Q05L14	46	232A10R14	61	232Q60L56	60	3035SPACER	158
202Q05L56	46	232A10R18	61	232Q60R56	60	3035STBUSH106	165, 166
202Q05R14	46	232A10R56	61	256HA414	154, 155, 156	3035STBUSH107	165, 166
202Q05R56	46	232A15L14	61	256HA514	154, 155, 156	3035STBUSH108	165, 166
202Q07L14	46	232A15L56	61	256HA556	156	3035TBUSH106	165, 166
202Q07L56	46	232A15R14	61	256HAZ414	156	3035TBUSH107	165, 166
202Q07R14	46	232A15R56	61	256HAZ514	156	3035TBUSH108	165, 166
202Q07R56	46	232A20L14	61	256HAZ556	156	3035TORQARM	161
202Q10L14	46	232A20L56	61	1315MTR14	22, 28, 157	3035ZFLANGE	163
202Q10L56	46	232A20R14	61	1315MTR56	22, 28, 157	3035ZTORQARM	161
202Q10R14	46	232A20R56	61	1720MTR14	34, 42, 157	3235TIEROD	162
202Q10R56	46	232A25L56	61	1720MTR56	34, 42, 157	3538MTR14	82, 88, 157
202Q15L14	46	232A25R56	61	1720TORQARM	161	3538MTR18	82, 88, 157
202Q15L56	46	232A30L56	61	1720ZTORQARM	161	3538MTR21	82, 88, 157
202Q15R14	46	232A30R56	61	2023TIEROD	162	3538MTR56	82, 88, 157
202Q15R56	46	232A40L56	61	2326BUSH025	165	3538OPENCOVER	178
202Q20L14	46	232A40R56	61	2326BUSH030	165	4047MTR14	94, 157
202Q20L56	46	232A50L56	61	2326BUSH100	165	4047MTR18	94, 100, 157
202Q20R14	46	232A50R56	61	2326BUSH102	165	4047MTR21	94, 100, 157
202Q20R56	46	232A60L56	61	2326BUSH103	165	4047MTR25	94, 100, 157
202Q25L14	46	232A60R56	61	2326BUSH104	165	51302	238, 242, 245, 247, 250, 254
202Q25L56	46	232Q05L14	60	2326FLANGE	163	51492	237, 239, 241, 243
202Q25R14	46	232Q05L18	60	2326SBUSH025	165	51929	242, 254, 256
202Q25R56	46	232Q05L56	60	2326SBUSH030	165	51952	239, 240, 243, 244, 246, 248, 252, 256
202Q30L56	46	232Q05R14	60	2326SBUSH100	165	53204	256
202Q30R56	46	232Q05R18	60	2326SBUSH102	165	58256	238, 242, 245, 247, 249, 253
202Q40L56	46	232Q05R56	60	2326SBUSH103	165	58270	242, 247, 254
202Q40R56	46	232Q07L14	60	2326SBUSH104	165	086379	251
202Q50L56	46	232Q07L18	60	2326SPACER	158	236187	229
202Q50R56	46	232Q07L56	60	2326TORQARM	161	236188	229
202Q60L56	46	232Q07R14	60	2326ZFLANGE	163	236189	229
202Q60R56	46	232Q07R18	60	2326ZTORQARM	161	236194	229
214HA214	156	232Q07R56	60	2332MTR14	56, 64, 70, 76, 157	236195	229
214HA314	156	232Q10L14	60	2332MTR18	56, 64, 70, 76, 157	236196	229
214HA414	154, 156	232Q10L18	60	2332MTR56	56, 64, 70, 76, 157	236293	229, 231
214HA514	154, 156	232Q10L56	60	3032CLSDCOVER	178	236294	231
214HAZ214	156	232Q10R14	60	3032OPENCOVER	178	236295	232
214HAZ314	156	232Q10R18	60	3032PLUGIN	174	236296	232
214HAZ414	156	232Q10R56	60	3035BUSH035	165, 166	242113	240, 246, 252
214HAZ514	156	232Q15L14	60	3035BUSH040	165, 166	246451	239
232A05L14	61	232Q15L56	60	3035BUSH045	165, 166	275794	250, 252, 254, 256
232A05L18	61	232Q15R14	60	3035BUSH104	165, 166	275803	237, 238, 239, 240, 241, 242, 243, 244, 245, 247, 250, 252, 254, 256
232A05L56	61	232Q15R56	60	3035BUSH107	165, 166	275806	250, 252, 254, 256
232A05R14	61	232Q20L14	60	3035BUSH110	165, 166	275853	239, 240, 244, 252, 256
232A05R18	61	232Q20L56	60	3035BUSH111	165, 166	275855	239, 240, 243, 244, 246, 248, 251, 252, 255, 256
232A05R56	61	232Q20R14	60	3035BUSH112	165, 166	275953	242, 244, 247, 248, 254, 256
232A07L14	61	232Q20R56	60	3035FLANGE	163	275954	244, 248, 256
232A07L18	61	232Q25L56	60	3035SBUSH035	165, 166		
232A07L56	61	232Q25R56	60	3035SBUSH040	165, 166		
232A07R14	61	232Q30L56	60	3035SBUSH045	165, 166		
232A07R18	61	232Q30R56	60	3035SBUSH104	165, 166		
232A07R56	61	232Q40L56	60	3035SBUSH107	165, 166		
232A10L14	61	232Q40R56	60	3035SBUSH110	165, 166		
232A10L18	61	232Q50L56	60	3035SBUSH111	165, 166		

Metric Reducers –
Ratings & Dimensions

Ratio multiplier

Accessories

Competitor interchange

Renewal parts

Part number index

	Part number	Page	Part Number	Page	Part number	Page	Part number	Page
Metric Reducers – Ratings & Dimensions	275962	242, 247, 254	333629	242, 247, 254	333800	242, 247, 254	334275	231, 232, 240, 246, 252
	276169	250, 252, 254, 256	333631	242, 247, 254	333801	237, 241	334276	231, 232, 233, 236, 237,
	276335	231, 232, 233, 234, 236,	333633	242, 247, 254	333805	244, 248, 256	334277	239, 241, 242, 243, 247, 254
		238, 240, 242, 244, 250,	333634	242, 247, 254	333807	245, 246, 247, 248, 250,		231, 232, 240, 242, 246,
	276355	251, 254, 255	333635	244, 248, 256		252, 254, 256		247, 252, 254
		231, 232, 233, 234, 236,	333636	244, 248, 256	333808	245, 247, 250, 254	334278	231, 232, 240, 242, 246,
	Ratio multiplier	237, 239, 241, 243, 245,	333650	237, 241, 245, 247,	333826	246, 248, 251, 255		247, 252, 254
		247, 249, 251, 253, 255		249, 253	333827	238, 242, 245, 247,	334279	231, 232, 233, 236, 239,
		276357	231, 232, 233, 234, 239,	333660	238, 245, 250		250, 254	243, 244, 248, 256
		243, 246, 248, 251, 255	333661	237, 245, 249	333829	240, 246, 252	334280	231, 232, 244, 248, 256
276451		243	333665	238, 245, 250	333830	245, 247, 253	334285	252, 256
278715		238, 242, 245, 247,	333666	237, 241, 245, 247,	333831	242, 245, 246, 247, 248,	334286	252, 256
		249, 253		249, 253		249, 251, 253, 254, 255	334288	252, 256
278717		240, 244, 246, 248,	333667	237, 241	333933	240, 244, 246, 248,	334290	252, 256
		251, 255	333670	241, 247, 253		251, 255	334291	252, 256
278900		250, 252, 254, 256	333671	237, 241, 245, 247,	334075	236	334300	232, 234, 245, 247,
Accessories	278901	250, 252, 254, 256		249, 253	334095	236		249, 253
	278907	250, 252, 254, 256	333685	238, 245, 250	334097	236	334301	231, 233, 236, 237, 241
	278911	250, 252, 254, 256	333686	237, 241, 245, 247,	334111	233, 236	334302	231, 233, 236, 239, 243
	278912	250, 252, 254, 256		249, 253	334112	233, 236	334303	232, 234, 245, 246, 247,
	333210	237, 245, 249	333687	242, 247, 254	334211SPC	235		248, 249, 251, 253, 255
	333211	237, 245, 249	333695	238, 245, 250	334212SPC	235	334304	232, 234, 249, 253
	333216	239	333696	237, 245, 249	334213SPC	235	334305	237, 239, 241, 243, 245,
	333218	241, 247, 253	333698	237, 239, 241, 243	334214SPC	235		246, 247, 248, 249, 251,
	333219	241, 247, 253	333705	240, 246, 252	334215SPC	235		253, 255
	333224	243, 248, 255	333706	239, 246, 251	334216	251	334306	250, 252, 254, 256
Competitor Interchange	333228	236, 238, 241	333707	237, 239, 241, 243	334216SPC	235	334309	250, 254
	333237	249, 251, 253, 255	333709	244, 248, 256	334218	235, 237, 241, 245,	334312	231, 232, 233, 234, 237,
	333245	245, 247, 249, 253	333712	243, 248, 255		247, 249, 253		241, 245, 247, 249, 253
	333246	245, 247, 249, 253	333715	239, 243	334219	235, 237, 241, 245,	334313	231, 232, 239, 243, 246,
	333249	245, 247, 249, 253	333716	240, 246		247, 249, 253		248, 251, 255
	333250	246, 248, 251, 255	333717	239, 243, 246, 248,	334220	235, 237, 241, 245,	334314	232, 234, 246, 248,
	333253	246, 248, 251, 255		251, 255		247, 249, 253		251, 255
	333265	237, 245, 249	333721	239, 243	334221	235, 237, 241, 245,	334315	231, 232, 239, 243, 246,
	333266	237, 245, 249	333725	237, 245, 249		247, 249, 253		248, 251, 255
	333267	237, 245, 249	333726	237, 245, 249	334222	235, 239, 243, 246,	334351	233, 234
Renewal parts	333268	237, 245, 249	333727	237, 245, 249		248, 251, 255	334352	233, 234
	333269	237, 245, 249	333728	237, 245, 249	334223	235, 239, 243, 246,	334353	233, 234
	333270	239, 246, 251	333729	237, 245, 249		248, 251, 255	334354	233, 234
	333271	239, 246, 251	333730	237, 245, 249	334224	235, 239, 243, 246,	334355	233, 234
	333281	241, 247, 253	333731	239, 246, 251		248, 251, 255	334356	233, 234
	333282	241, 247, 253	333732	239, 246, 251	334225	235, 239, 243, 246,	334357	233, 234
	333283	241, 247, 253	333733	241, 247, 253		248, 251, 255	334358	233, 234
	333284	241, 247, 253	333734	241, 247, 253	334270	232, 234, 245, 247,	334359	233, 234
	333285	241, 247, 253	333735	241, 247, 253		249, 253	334404	240, 244, 246, 248,
	333286	243, 248, 255	333736	241, 247, 253	334271	231, 232, 234, 238,		251, 255
Part number index	333287	243, 248, 255	333737	241, 247, 253		245, 247, 249, 250, 253	334506	239, 246, 251
	333604	238, 245, 250	333738	241, 247, 253	334272	231, 232, 234, 238, 245,	334507	243, 248, 255
	333605	238, 245, 250	333739	243, 248, 255		246, 247, 248, 249, 250,	334508	246, 248, 251, 255
	333606	238, 245, 250	333740	239, 243, 246, 248,		251, 253, 255	334510	239, 246, 251
	333607	238, 245, 250		251, 255	334273	231, 232, 238, 242,	334512	243, 248, 255
	333608	238, 245, 250	333775	239, 246, 251		245, 247, 250, 254	334554	240, 246, 252
	333609	238, 245, 250	333781	249, 253	334274	231, 232, 233, 236, 237,	334556	244, 248, 256
	333610	240, 246, 252	333782	249, 251, 253, 255		240, 241, 242, 246, 247,	334557	239, 243
	333611	240, 246, 252	333783	251, 255		248, 251, 252, 254, 255	334558	239, 243

Part number	Page	Part Number	Page	Part number	Page	Part number	Page
334559	239, 243	335341	235, 239, 244, 246, 248,	335604	229, 230, 239, 240, 243,	411405	238, 242, 245, 247,
334560	239, 243		251, 255		246, 248, 251, 252, 255		250, 254
334561	246, 248, 251, 255	335342	235, 244, 248, 255	335605	229, 230, 238, 250	411483	240, 244, 246, 252, 256
334563	244, 248, 256	335343	235, 244, 248, 255	335606	229, 230, 238, 245, 250	411623-33-B	241
334564	239, 243, 246, 248,	335344	235, 239, 246, 251	335607	229, 230, 240, 246, 252	411623-33-C	240, 241
	251, 255	335350	229, 231	335608	229, 230, 238, 245, 250	411626-05-F	235, 239, 246, 251
334565	239, 243, 246, 251	335351	229, 231	335609	229, 230, 237, 241, 245,	411626-06-F	235, 239, 246, 251
334566	248, 255	335352	229, 231		247, 249, 253	411631-58-X	238, 240, 242, 244,
334570	236, 240, 243, 251, 255	335353	229, 231	335610	229, 230, 239, 243, 246,		250, 252, 254, 256
334571	251, 255	335355	229, 231		248, 251, 255	411637-01-A	238, 242, 245, 247,
334576	239, 246, 251	335356	231	335611	229, 230, 240, 246, 252		249, 253
334577	243, 248, 255	335357	231	335612	229, 230, 240, 246, 252	411637-02-AC	240, 244, 246,
334580	239, 246, 251	335358	231	335613	229, 230, 239, 243, 246,		248, 251, 255
334582	243, 248, 255	335359	231		248, 251, 255	411637-02-AP	238, 242, 245,
334619	240, 246, 252	335360	231	335614	229, 230, 240, 246, 252		247, 249, 253
334621	244, 248, 256	335361	231	335677	237	411637-02-AR	240, 244
334623	248, 256	335362	229, 231	335678	237	411637-02-AV	238, 242, 245,
334624	239, 243, 246, 248,	335363	229, 231	335680	237		247, 249, 253
	251, 255	335364	229, 231	335687	245, 249	411637-02-AY	238, 242, 245,
334625	239, 243, 246, 251	335365	229, 231	335688	245, 249		247, 249, 253
334626	248, 255	335366	229, 231	335690	245, 249	411637-02-BA	240, 244, 246,
334681	236, 238, 240, 241, 243	335367	229, 231	335692	239, 246, 251		248, 251, 255
334683	249, 251, 253, 255	335369	231	335697	241, 247, 253	411637-02-E	238, 242
334789	242, 247, 254	335370	231	335698	241, 247, 253	411637-02-N	238, 242, 245,
334860	177	335371	231	335700	241, 247, 253		247, 249, 253
334861	177	335372	231	335702	243, 248, 255	411647-34-B	238, 240, 242, 244,
334862	177, 229, 230, 239, 243,	335373	231	335716	249, 253		245, 246, 247, 248,
	246, 248, 251, 255, 256	335374	230, 232	335722	251, 255		250, 252, 254, 256
334863	177, 229, 230, 237, 241,	335375	230, 232	335724	251, 255	411709-65-H	249, 251, 253, 255
	245, 247, 249, 253, 256	335376	230, 232	335733	236, 238, 240, 241, 243	411709-65-N	249, 251, 253, 255
334895	251, 255	335377	230, 232	335737	236, 240, 243	419007	242, 245, 247, 250, 254
334897	242, 247, 254	335378	230	335739	236, 240, 243	419009	238, 242, 244, 245,
334900	240, 244, 252, 256	335379	230, 232	335874	237		246, 247, 248, 250,
334901	240, 244, 252, 256	335380	230, 232	335875	245, 249		252, 254, 256
334902	252, 256	335381	230, 232	335877	241, 247, 253	419010	237, 238, 241, 242, 245,
335330	229, 230, 235, 240, 241,	335382	230, 232	335895	246, 251		247, 250, 254
	246, 247, 251, 253	335392	230, 232	336052	239, 246, 251	419036	240, 244, 246, 248,
335331	229, 230, 235, 240, 241,	335393	230, 232	336053	243, 248, 255		252, 256
	246, 247, 251, 253	335394	230, 232	336055	239, 246, 251	454787	231, 232, 233, 234, 237,
335332	229, 230, 235, 241,	335395	230, 232	336068	237, 249		241, 245, 247, 249, 253
	247, 253	335396	230, 232	336070	240, 246, 252	602028-43-F	231, 232, 233, 234,
335333	229, 230, 235, 240, 243,	335397	230, 232	336074	239, 246, 251		236, 238, 240, 242,
	246, 248, 251, 255	335398	230	336254	233, 234		244, 250, 251, 254, 255
335334	229, 230, 235, 243,	335399	230, 232	336255	233, 234	810002	236
	248, 255	335400	230, 232	336331	229, 230	904286	231, 232, 244, 248, 256
335335	229, 230, 235, 243,	335508	231, 232, 233, 234, 237,	336366	231, 232, 233, 234, 237,	051929	238, 240, 244, 245,
	248, 255		241, 245, 247, 249, 253		241, 245, 247, 249, 253		250, 252, 254
335336	229, 230, 235, 240,	335600	229, 230, 237, 241, 245,	336367	231, 232, 233, 234, 239,	051334	240, 244, 255
	246, 251		247, 249, 253		243, 246, 248, 251, 255	051952	238
335337	235, 237, 245, 249	335601	237, 241, 245, 247,	336608	245	032018016EJ	240, 244, 246, 248,
335338	235, 239, 242, 246, 247,		249, 253	337276	236		252, 256
	251, 253	335602	229, 230, 239, 243, 246,	400140	242, 244, 247, 248, 254,	032130010BB	249, 253
335339	235, 242, 247, 253		248, 251, 255		256	032130012CB	249, 251, 253, 255
335340	235, 239, 242, 246, 247,	335603	229, 230, 237, 241, 245,	411396	244, 248, 256	032130014ZB	251, 255
	251, 253		247, 249, 253	411402	244, 248, 256		

	Part number	Page	Part Number	Page	Part number	Page	Part number	Page
Metric Reducers – Ratings & Dimensions	41162333A	229, 230, 235, 238, 249	SS17A05H56	125	SS17A60H56	125	SS17Q50L56	124
			SS17A05L14	125	SS17A60L56	125	SS17Q50LR56	124
	41162601BJ	235, 242, 253	SS17A05L56	125	SS17A60LR56	125	SS17Q50R56	124
	41164246E	235, 249	SS17A05LR14	125	SS17A60R56	125	SS17Q60H56	124
	411626018J	247	SS17A05LR56	125	SS17CLSDCOVER	178	SS17Q60L56	124
	641162333A	245	SS17A05R14	125	SS17OPENCOVER	178	SS17Q60LR56	124
	641162333B	229, 230, 235, 238, 245, 247, 249, 253	SS17A05R56	125	SS17Q05H14	124	SS17Q60R56	124
			SS17A07H14	125	SS17Q05H56	124	SS17TORQARM	161
	641162333C	229, 230, 235, 246, 247, 251, 253	SS17A07H56	125	SS17Q05L14	124	SS20A05H14	127
			SS17A07L14	125	SS17Q05L56	124	SS20A05H56	127
Ratio multiplier	641162601A	235, 242, 245, 247, 249, 253	SS17A07L56	125	SS17Q05LR14	124	SS20A05HA14	127
			SS17A07LR14	125	SS17Q05LR56	124	SS20A05HA56	127
	641162601C	235, 237, 245, 249	SS17A07LR56	125	SS17Q05R14	124	SS20A05L14	127
	641163702AR	246, 248, 251, 255	SS17A07R14	125	SS17Q05R56	124	SS20A05L56	127
	641163702E	245, 247, 249, 253	SS17A07R56	125	SS17Q07H14	124	SS20A05LR14	127
	641164201A	237	SS17A10H14	125	SS17Q07H56	124	SS20A05LR56	127
	641164246E	229, 230, 238, 245	SS17A10H56	125	SS17Q07L14	124	SS20A05R14	127
	6411623333B	235	SS17A10L14	125	SS17Q07L56	124	SS20A05R56	127
	BG6203B01	245, 247, 249, 253	SS17A10L56	125	SS17Q07LR14	124	SS20A07H14	127
	BG6205B01	245, 247, 249, 253	SS17A10LR14	125	SS17Q07LR56	124	SS20A07H56	127
Accessories	BG6206B01	245, 247, 249, 253	SS17A10LR56	125	SS17Q07R14	124	SS20A07HA14	127
	BG6207B01	246, 248, 251, 255	SS17A10R14	125	SS17Q07R56	124	SS20A07HA56	127
	BG6208B01	246, 248, 251, 255	SS17A10R56	125	SS17Q10H56	124	SS20A07L14	127
	BG6210B01	246, 248, 255	SS17A15H14	125	SS17Q10L56	124	SS20A07L56	127
	EZ236293	233	SS17A15H56	125	SS17Q10LR56	124	SS20A07LR14	127
	EZ236294	233	SS17A15L14	125	SS17Q10R56	124	SS20A07LR56	127
	EZ236295	234	SS17A15L56	125	SS17Q15H14	124	SS20A07R14	127
	EZ236296	234	SS17A15LR14	125	SS17Q15H56	124	SS20A07R56	127
	EZ335350	233	SS17A15LR56	125	SS17Q15L14	124	SS20A10H14	127
	EZ335351	233	SS17A15R14	125	SS17Q15L56	124	SS20A10H56	127
Competitor Interchange	EZ335352	233	SS17A15R56	125	SS17Q15LR14	124	SS20A10HA14	127
	EZ335353	233	SS17A20H14	125	SS17Q15LR56	124	SS20A10HA56	127
	EZ335355	233	SS17A20H56	125	SS17Q15R14	124	SS20A10L14	127
	EZ335356	233	SS17A20L14	125	SS17Q15R56	124	SS20A10L56	127
	EZ335357	233	SS17A20L56	125	SS17Q20H14	124	SS20A10LR14	127
	EZ335362	233	SS17A20LR14	125	SS17Q20H56	124	SS20A10LR56	127
	EZ335363	233	SS17A20LR56	125	SS17Q20L14	124	SS20A10R14	127
	EZ335364	233	SS17A20R14	125	SS17Q20L56	124	SS20A10R56	127
	EZ335365	233	SS17A20R56	125	SS17Q20LR14	124	SS20A15H14	127
	EZ335366	233	SS17A25H56	125	SS17Q20LR56	124	SS20A15H56	127
Renewal parts	EZ335367	233	SS17A25L56	125	SS17Q20R14	124	SS20A15HA14	127
	EZ335369	233	SS17A25LR56	125	SS17Q20R56	124	SS20A15HA56	127
	EZ335374	234	SS17A25R56	125	SS17Q25H56	124	SS20A15L14	127
	EZ335375	234	SS17A30H56	125	SS17Q25L56	124	SS20A15L56	127
	EZ335376	234	SS17A30L56	125	SS17Q25LR56	124	SS20A15LR14	127
	EZ335377	234	SS17A30LR56	125	SS17Q25R56	124	SS20A15LR56	127
	EZ335379	234	SS17A30R56	125	SS17Q30H56	124	SS20A15R14	127
	EZ335380	234	SS17A40H56	125	SS17Q30L56	124	SS20A15R56	127
	EZ335392	234	SS17A40L56	125	SS17Q30LR56	124	SS20A20H14	127
	EZ335393	234	SS17A40LR56	125	SS17Q30R56	124	SS20A20H56	127
Part number index	EZ335394	234	SS17A40R56	125	SS17Q40H56	124	SS20A20HA14	127
	EZ335395	234	SS17A50H56	125	SS17Q40L56	124	SS20A20HA56	127
	EZ335396	234	SS17A50L56	125	SS17Q40LR56	124	SS20A20L14	127
	EZ335397	234	SS17A50LR56	125	SS17Q40R56	124	SS20A20L56	127
	SS17A05H14	125	SS17A50R56	125	SS17Q50H56	124	SS20A20LR14	127

Part number	Page	Part Number	Page	Part number	Page	Part number	Page
SS20A20LR56	127	SS20Q10H14	126	SS20Q25L56	126	SS23A07L56	129
SS20A20R14	127	SS20Q10H56	126	SS20Q25LR14	126	SS23A07LR14	129
SS20A20R56	127	SS20Q10HA14	126	SS20Q25LR56	126	SS23A07LR18	129
SS20A25H14	127	SS20Q10HA56	126	SS20Q25R14	126	SS23A07LR56	129
SS20A25H56	127	SS20Q10L14	126	SS20Q25R56	126	SS23A07R14	129
SS20A25HA14	127	SS20Q10L56	126	SS20Q30H56	126	SS23A07R18	129
SS20A25HA56	127	SS20Q10LR14	126	SS20Q30HA56	126	SS23A07R56	129
SS20A25L14	127	SS20Q10LR56	126	SS20Q30L56	126	SS23A10H14	129
SS20A25L56	127	SS20Q10R14	126	SS20Q30LR56	126	SS23A10H14SD104	168
SS20A25LR14	127	SS20Q10R56	126	SS20Q30R56	126	SS23A10H18	129
SS20A25LR56	127	SS20Q12H14	126	SS20Q40H56	126	SS23A10H18SD104	168
SS20A25R14	127	SS20Q12H56	126	SS20Q40HA56	126	SS23A10H56	129
SS20A25R56	127	SS20Q12HA14	126	SS20Q40L56	126	SS23A10H56SD104	168
SS20A30H56	127	SS20Q12HA56	126	SS20Q40LR56	126	SS23A10HA14	129
SS20A30HA56	127	SS20Q12L14	126	SS20Q40R56	126	SS23A10HA18	129
SS20A30L56	127	SS20Q12L56	126	SS20Q50H56	126	SS23A10HA56	129
SS20A30LR56	127	SS20Q12LR14	126	SS20Q50HA56	126	SS23A10L14	129
SS20A30R56	127	SS20Q12LR56	126	SS20Q50L56	126	SS23A10L18	129
SS20A40H56	127	SS20Q12R14	126	SS20Q50LR56	126	SS23A10L56	129
SS20A40HA56	127	SS20Q12R56	126	SS20Q50R56	126	SS23A10LR14	129
SS20A40L56	127	SS20Q15H14	126	SS20Q60H56	126	SS23A10LR18	129
SS20A40LR56	127	SS20Q15H56	126	SS20Q60HA56	126	SS23A10LR56	129
SS20A40R56	127	SS20Q15HA14	126	SS20Q60L56	126	SS23A10R14	129
SS20A50H56	127	SS20Q15HA56	126	SS20Q60LR56	126	SS23A10R18	129
SS20A50HA56	127	SS20Q15L14	126	SS20Q60R56	126	SS23A10R56	129
SS20A50L56	127	SS20Q15L56	126	SS20TORQARM	161	SS23A12H14	129
SS20A50LR56	127	SS20Q15LR14	126	SS23A05H14	129	SS23A12H18	129
SS20A50R56	127	SS20Q15LR56	126	SS23A05H14SD104	168	SS23A12H56	129
SS20A60H56	127	SS20Q15R14	126	SS23A05H18	129	SS23A12HA14	129
SS20A60HA56	127	SS20Q15R56	126	SS23A05H18SD104	168	SS23A12HA18	129
SS20A60L56	127	SS20Q18H14	126	SS23A05H56	129	SS23A12HA56	129
SS20A60LR56	127	SS20Q18H56	126	SS23A05H56SD104	168	SS23A12L14	129
SS20A60R56	127	SS20Q18HA14	126	SS23A05HA14	129	SS23A12L18	129
SS20CLSDCOVER	178	SS20Q18HA56	126	SS23A05HA18	129	SS23A12L56	129
SS20OPENCOVER	178	SS20Q18L14	126	SS23A05HA56	129	SS23A12LR14	129
SS20Q05H14	126	SS20Q18L56	126	SS23A05L14	129	SS23A12LR18	129
SS20Q05H56	126	SS20Q18LR14	126	SS23A05L18	129	SS23A12LR56	129
SS20Q05HA14	126	SS20Q18LR56	126	SS23A05L56	129	SS23A12R14	129
SS20Q05HA56	126	SS20Q18R14	126	SS23A05LR14	129	SS23A12R18	129
SS20Q05L14	126	SS20Q18R56	126	SS23A05LR18	129	SS23A12R56	129
SS20Q05L56	126	SS20Q20H14	126	SS23A05LR56	129	SS23A15H14	129
SS20Q05LR14	126	SS20Q20H56	126	SS23A05R14	129	SS23A15H14SD104	168
SS20Q05LR56	126	SS20Q20HA14	126	SS23A05R18	129	SS23A15H56	129
SS20Q05R14	126	SS20Q20HA56	126	SS23A05R56	129	SS23A15H56SD104	168
SS20Q05R56	126	SS20Q20L14	126	SS23A07H14	129	SS23A15HA14	129
SS20Q07H14	126	SS20Q20L56	126	SS23A07H14SD104	168	SS23A15HA56	129
SS20Q07H56	126	SS20Q20LR14	126	SS23A07H18	129	SS23A15L14	129
SS20Q07HA14	126	SS20Q20LR56	126	SS23A07H18SD104	168	SS23A15L56	129
SS20Q07HA56	126	SS20Q20R14	126	SS23A07H56	129	SS23A15LR14	129
SS20Q07L14	126	SS20Q20R56	126	SS23A07H56SD104	168	SS23A15LR56	129
SS20Q07L56	126	SS20Q25H14	126	SS23A07HA14	129	SS23A15R14	129
SS20Q07LR14	126	SS20Q25H56	126	SS23A07HA18	129	SS23A15R56	129
SS20Q07LR56	126	SS20Q25HA14	126	SS23A07HA56	129	SS23A20H14	129
SS20Q07R14	126	SS20Q25HA56	126	SS23A07L14	129	SS23A20H14SD104	168
SS20Q07R56	126	SS20Q25L14	126	SS23A07L18	129	SS23A20H56	129

Metric Reducers –
Ratings & Dimensions

Ratio multiplier

Accessories

Competitor interchange

Renewal parts

Part number index

	Part number	Page	Part Number	Page	Part number	Page	Part number	Page
Metric Reducers – Ratings & Dimensions	SS23A20H56SD104	168	SS23Q05H14SD104	168	SS23Q12H56	128	SS23Q30L14	128
	SS23A20HA14	129	SS23Q05H18	128	SS23Q12HA14	128	SS23Q30L56	128
	SS23A20HA56	129	SS23Q05H18SD104	168	SS23Q12HA18	128	SS23Q30LR14	128
	SS23A20L14	129	SS23Q05H56	128	SS23Q12HA56	128	SS23Q30LR56	128
	SS23A20L56	129	SS23Q05H56SD104	168	SS23Q12L14	128	SS23Q30R14	128
	SS23A20LR14	129	SS23Q05HA14	128	SS23Q12L18	128	SS23Q30R56	128
	SS23A20LR56	129	SS23Q05HA18	128	SS23Q12L56	128	SS23Q40H14	128
	SS23A20R14	129	SS23Q05HA56	128	SS23Q12LR14	128	SS23Q40H14SD104	168
	SS23A20R56	129	SS23Q05L14	128	SS23Q12LR18	128	SS23Q40H56	128
	SS23A25H14	129	SS23Q05L18	128	SS23Q12LR56	128	SS23Q40H56SD104	168
Ratio multiplier	SS23A25H14SD104	168	SS23Q05L56	128	SS23Q12R14	128	SS23Q40HA14	128
	SS23A25H56	129	SS23Q05LR14	128	SS23Q12R18	128	SS23Q40HA56	128
	SS23A25H56SD104	168	SS23Q05LR18	128	SS23Q12R56	128	SS23Q40L14	128
	SS23A25HA14	129	SS23Q05LR56	128	SS23Q15H14	128	SS23Q40L56	128
	SS23A25HA56	129	SS23Q05R14	128	SS23Q15H14SD104	168	SS23Q40LR14	128
	SS23A25L14	129	SS23Q05R18	128	SS23Q15H56	128	SS23Q40LR56	128
	SS23A25L56	129	SS23Q05R56	128	SS23Q15H56SD104	168	SS23Q40R14	128
	SS23A25LR14	129	SS23Q07H14	128	SS23Q15HA14	128	SS23Q40R56	128
	SS23A25LR56	129	SS23Q07H14SD104	168	SS23Q15HA56	128	SS23Q50H56	128
	SS23A25R14	129	SS23Q07H18	128	SS23Q15L14	128	SS23Q50H56SD104	168
Accessories	SS23A25R56	129	SS23Q07H18SD104	168	SS23Q15L56	128	SS23Q50HA56	128
	SS23A30H14	129	SS23Q07H56	128	SS23Q15LR14	128	SS23Q50L56	128
	SS23A30H14SD104	168	SS23Q07H56SD104	168	SS23Q15LR56	128	SS23Q50LR56	128
	SS23A30H56	129	SS23Q07HA14	128	SS23Q15R14	128	SS23Q50R56	128
	SS23A30H56SD104	168	SS23Q07HA18	128	SS23Q15R56	128	SS23Q60H56	128
	SS23A30HA14	129	SS23Q07HA56	128	SS23Q20H14	128	SS23Q60H56SD104	168
	SS23A30HA56	129	SS23Q07L14	128	SS23Q20H14SD104	168	SS23Q60HA56	128
	SS23A30L14	129	SS23Q07L18	128	SS23Q20H56	128	SS23Q60L56	128
	SS23A30L56	129	SS23Q07L56	128	SS23Q20H56SD104	168	SS23Q60LR56	128
	SS23A30LR14	129	SS23Q07LR14	128	SS23Q20HA14	128	SS23Q60R56	128
Competitor Interchange	SS23A30LR56	129	SS23Q07LR18	128	SS23Q20HA56	128	SS23TORQARM	161
	SS23A30R14	129	SS23Q07LR56	128	SS23Q20L14	128	SS26A05H14	131
	SS23A30R56	129	SS23Q07R14	128	SS23Q20L56	128	SS26A05H14SD104	168
	SS23A40H14	129	SS23Q07R18	128	SS23Q20LR14	128	SS26A05H18	131
	SS23A40H14SD104	168	SS23Q07R56	128	SS23Q20LR56	128	SS26A05H18SD104	168
	SS23A40H56	129	SS23Q10H14	128	SS23Q20R14	128	SS26A05HA14	131
	SS23A40H56SD104	168	SS23Q10H14SD104	168	SS23Q20R56	128	SS26A05HA18	131
	SS23A40HA14	129	SS23Q10H18	128	SS23Q25H14	128	SS26A05L14	131
	SS23A40HA56	129	SS23Q10H18SD104	168	SS23Q25H14SD104	168	SS26A05L18	131
	SS23A40L14	129	SS23Q10H56	128	SS23Q25H56	128	SS26A05LR14	131
Renewal parts	SS23A40L56	129	SS23Q10H56SD104	168	SS23Q25H56SD104	168	SS26A05LR18	131
	SS23A40LR14	129	SS23Q10HA14	128	SS23Q25HA14	128	SS26A05R14	131
	SS23A40LR56	129	SS23Q10HA18	128	SS23Q25HA56	128	SS26A05R18	131
	SS23A40R14	129	SS23Q10HA56	128	SS23Q25L14	128	SS26A07H14	131
	SS23A40R56	129	SS23Q10L14	128	SS23Q25L56	128	SS26A07H14SD104	168
	SS23A50H56	129	SS23Q10L18	128	SS23Q25LR14	128	SS26A07H18	131
	SS23A50H56SD104	168	SS23Q10L56	128	SS23Q25LR56	128	SS26A07H18SD104	168
	SS23A50HA56	129	SS23Q10LR14	128	SS23Q25R14	128	SS26A07H56	131
	SS23A50L56	129	SS23Q10LR18	128	SS23Q25R56	128	SS26A07H56SD104	168
	SS23A50LR56	129	SS23Q10LR56	128	SS23Q30H14	128	SS26A07HA14	131
Part number index	SS23A50R56	129	SS23Q10R14	128	SS23Q30H14SD104	168	SS26A07HA18	131
	SS23A60H56SD104	168	SS23Q10R18	128	SS23Q30H56	128	SS26A07HA56	131
	SS23A50L56	129	SS23Q10R56	128	SS23Q30H56SD104	168	SS26A07L14	131
	SS23A50LR56	129	SS23Q12H14	128	SS23Q30HA14	128	SS26A07L18	131
	SS23A50R56	129	SS23Q12H18	128	SS23Q30HA56	128	SS26A07L56	131
	SS23A60H56SD104	168	SS23Q12H18	128				
	SS23CLSDCOVER	178						
	SS23OPENCOVER	178						
	SS23Q05H14	128						

Part number	Page	Part Number	Page	Part number	Page	Part number	Page
SS26A07LR14	131	SS26A15R18	131	SS26A40H56	131	SS26Q07HA18	130
SS26A07LR18	131	SS26A15R56	131	SS26A40H56SD104	168	SS26Q07HA56	130
SS26A07LR56	131	SS26A18H14	131	SS26A40HA14	131	SS26Q07L14	130
SS26A07R14	131	SS26A18H18	131	SS26A40HA56	131	SS26Q07L18	130
SS26A07R18	131	SS26A18H56	131	SS26A40L14	131	SS26Q07L56	130
SS26A07R56	131	SS26A18HA14	131	SS26A40L56	131	SS26Q07LR14	130
SS26A10H14	131	SS26A18HA18	131	SS26A40LR14	131	SS26Q07LR18	130
SS26A10H14SD104	168	SS26A18HA56	131	SS26A40LR56	131	SS26Q07LR56	130
SS26A10H18	131	SS26A18L14	131	SS26A40R14	131	SS26Q07R14	130
SS26A10H18SD104	168	SS26A18L18	131	SS26A40R56	131	SS26Q07R18	130
SS26A10H56	131	SS26A18L56	131	SS26A50H14	131	SS26Q07R56	130
SS26A10H56SD104	168	SS26A18LR14	131	SS26A50H14SD104	168	SS26Q10H14	130
SS26A10HA14	131	SS26A18LR18	131	SS26A50H56	131	SS26Q10H14SD104	168
SS26A10HA18	131	SS26A18LR56	131	SS26A50H56SD104	168	SS26Q10H18	130
SS26A10HA56	131	SS26A18R14	131	SS26A50HA14	131	SS26Q10H18SD104	168
SS26A10L14	131	SS26A18R18	131	SS26A50HA56	131	SS26Q10H56	130
SS26A10L18	131	SS26A18R56	131	SS26A50L14	131	SS26Q10H56SD104	168
SS26A10L56	131	SS26A20H14	131	SS26A50L56	131	SS26Q10HA14	130
SS26A10LR14	131	SS26A20H14SD104	168	SS26A50LR14	131	SS26Q10HA18	130
SS26A10LR18	131	SS26A20H56	131	SS26A50LR56	131	SS26Q10HA56	130
SS26A10LR56	131	SS26A20H56SD104	168	SS26A50R14	131	SS26Q10L14	130
SS26A10R14	131	SS26A20HA14	131	SS26A50R56	131	SS26Q10L18	130
SS26A10R18	131	SS26A20HA56	131	SS26A60H14	131	SS26Q10L56	130
SS26A10R56	131	SS26A20L14	131	SS26A60H14SD104	168	SS26Q10LR14	130
SS26A12H14	131	SS26A20L56	131	SS26A60H56	131	SS26Q10LR18	130
SS26A12H18	131	SS26A20LR14	131	SS26A60H56SD104	168	SS26Q10LR56	130
SS26A12H56	131	SS26A20LR56	131	SS26A60HA14	131	SS26Q10R14	130
SS26A12HA14	131	SS26A20R14	131	SS26A60HA56	131	SS26Q10R18	130
SS26A12HA18	131	SS26A20R56	131	SS26A60L14	131	SS26Q10R56	130
SS26A12HA56	131	SS26A25H14	131	SS26A60L56	131	SS26Q12H14	130
SS26A12L14	131	SS26A25H14SD104	168	SS26A60LR14	131	SS26Q12H18	130
SS26A12L18	131	SS26A25H56	131	SS26A60LR56	131	SS26Q12H56	130
SS26A12L56	131	SS26A25H56SD104	168	SS26A60R14	131	SS26Q12HA14	130
SS26A12LR14	131	SS26A25HA14	131	SS26A60R56	131	SS26Q12HA18	130
SS26A12LR18	131	SS26A25HA56	131	SS26CLSDCOVER	178	SS26Q12HA56	130
SS26A12LR56	131	SS26A25L14	131	SS26OPENCOVER	178	SS26Q12L14	130
SS26A12R14	131	SS26A25L56	131	SS26Q05H14	130	SS26Q12L18	130
SS26A12R18	131	SS26A25LR14	131	SS26Q05H14SD104	168	SS26Q12L56	130
SS26A12R56	131	SS26A25LR56	131	SS26Q05H18	130	SS26Q12LR14	130
SS26A15H14	131	SS26A25R14	131	SS26Q05H18SD104	168	SS26Q12LR18	130
SS26A15H14SD104	168	SS26A25R56	131	SS26Q05HA14	130	SS26Q12LR56	130
SS26A15H18	131	SS26A30H14	131	SS26Q05HA18	130	SS26Q12R14	130
SS26A15H18SD104	168	SS26A30H14SD104	168	SS26Q05L14	130	SS26Q12R18	130
SS26A15H56	131	SS26A30H56	131	SS26Q05L18	130	SS26Q12R56	130
SS26A15H56SD104	168	SS26A30H56SD104	168	SS26Q05LR14	130	SS26Q15H14	130
SS26A15HA14	131	SS26A30HA14	131	SS26Q05LR18	130	SS26Q15H14SD104	168
SS26A15HA18	131	SS26A30HA56	131	SS26Q05R14	130	SS26Q15H18	130
SS26A15HA56	131	SS26A30L14	131	SS26Q05R18	130	SS26Q15H18SD104	168
SS26A15L14	131	SS26A30L56	131	SS26Q07H14	130	SS26Q15H56	130
SS26A15L18	131	SS26A30LR14	131	SS26Q07H14SD104	168	SS26Q15H56SD104	168
SS26A15L56	131	SS26A30LR56	131	SS26Q07H18	130	SS26Q15HA14	130
SS26A15LR14	131	SS26A30R14	131	SS26Q07H18SD104	168	SS26Q15HA18	130
SS26A15LR18	131	SS26A30R56	131	SS26Q07H56	130	SS26Q15HA56	130
SS26A15LR56	131	SS26A40H14	131	SS26Q07H56SD104	168	SS26Q15L14	130
SS26A15R14	131	SS26A40H14SD104	168	SS26Q07HA14	130	SS26Q15L18	130

Metric Reducers –
Ratings & Dimensions

Ratio multiplier

Accessories

Competitor interchange

Renewal parts

Part number index

	Part number	Page	Part Number	Page	Part number	Page	Part number	Page
Metric Reducers – Ratings & Dimensions	SS26Q15L56	130	SS26Q40H14	130	SS30A07R14	133	SS30A30H56BD107	168
	SS26Q15LR14	130	SS26Q40H14SD104	168	SS30A07R18	133	SS30A30L14	133
	SS26Q15LR18	130	SS26Q40H56	130	SS30A10H14	133	SS30A30L56	133
	SS26Q15LR56	130	SS26Q40H56SD104	168	SS30A10H14BD107	168	SS30A30LR14	133
	SS26Q15R14	130	SS26Q40HA14	130	SS30A10H18	133	SS30A30LR56	133
	SS26Q15R18	130	SS26Q40HA56	130	SS30A10H18BD107	168	SS30A30R14	133
	SS26Q15R56	130	SS26Q40L14	130	SS30A10L14	133	SS30A30R56	133
	SS26Q18H14	130	SS26Q40L56	130	SS30A10L18	133	SS30A40H14	133
	SS26Q18H18	130	SS26Q40LR14	130	SS30A10LR14	133	SS30A40H14BD107	168
	SS26Q18H56	130	SS26Q40LR56	130	SS30A10LR18	133	SS30A40H56	133
	SS26Q18HA14	130	SS26Q40R14	130	SS30A10R14	133	SS30A40H56BD107	168
	SS26Q18HA18	130	SS26Q40R56	130	SS30A10R18	133	SS30A40L14	133
	SS26Q18HA56	130	SS26Q50H14	130	SS30A15H14	133	SS30A40L56	133
	SS26Q18L14	130	SS26Q50H14SD104	168	SS30A15H14BD107	168	SS30A40LR14	133
	SS26Q18L18	130	SS26Q50H56	130	SS30A15H18	133	SS30A40LR56	133
	Ratio multiplier	SS26Q18L56	130	SS26Q50H56SD104	168	SS30A15H18BD107	168	SS30A40R14
SS26Q18LR14		130	SS26Q50HA14	130	SS30A15L14	133	SS30A40R56	133
SS26Q18LR18		130	SS26Q50HA56	130	SS30A15L18	133	SS30A50H14	133
SS26Q18LR56		130	SS26Q50L14	130	SS30A15LR14	133	SS30A50H14BD107	168
SS26Q20H14		130	SS26Q50L56	130	SS30A15LR18	133	SS30A50H56	133
SS26Q20H14SD104		168	SS26Q50LR14	130	SS30A15R14	133	SS30A50H56BD107	168
SS26Q20H56		130	SS26Q50LR56	130	SS30A15R18	133	SS30A50L14	133
SS26Q20H56SD104		168	SS26Q50R14	130	SS30A20H14	133	SS30A50L56	133
SS26Q20HA14		130	SS26Q50R56	130	SS30A20H14BD107	168	SS30A50LR14	133
SS26Q20HA56		130	SS26Q60H14	130	SS30A20H18	133	SS30A50LR56	133
SS26Q20L14		130	SS26Q60H14SD104	168	SS30A20H18BD107	168	SS30A50R14	133
SS26Q20L56		130	SS26Q60H56	130	SS30A20H56	133	SS30A50R56	133
SS26Q20LR14		130	SS26Q60H56SD104	168	SS30A20H56BD107	168	SS30A60H14	133
SS26Q20LR56		130	SS26Q60HA14	130	SS30A20L14	133	SS30A60H14BD107	168
SS26Q20R14		130	SS26Q60HA56	130	SS30A20L18	133	SS30A60H56	133
SS26Q20R56		130	SS26Q60L14	130	SS30A20L56	133	SS30A60H56BD107	168
SS26Q25H14	130	SS26Q60L56	130	SS30A20LR14	133	SS30A60L14	133	
Accessories	SS26Q25H14SD104	168	SS26Q60LR14	130	SS30A20LR18	133	SS30A60L56	133
	SS26Q25H56	130	SS26Q60LR56	130	SS30A20LR56	133	SS30A60LR14	133
	SS26Q25H56SD104	168	SS26Q60R14	130	SS30A20R14	133	SS30A60LR56	133
	SS26Q25HA14	130	SS26Q60R56	130	SS30A20R18	133	SS30A60R14	133
	SS26Q25HA56	130	SS26TORQARM	161	SS30A20R56	133	SS30A60R56	133
	SS26Q25L14	130	SS30A05H14	133	SS30A25H14	133	SS30CLSDCOVER	178
	SS26Q25L56	130	SS30A05H14BD107	168	SS30A25H14BD107	168	SS30OPENCOVER	178
	SS26Q25LR14	130	SS30A05H18	133	SS30A25H18	133	SS30Q05H14	132
	SS26Q25LR56	130	SS30A05H18BD107	168	SS30A25H18BD107	168	SS30Q05H14BD107	168
	SS26Q25R14	130	SS30A05L14	133	SS30A25H56	133	SS30Q05H18	132
	SS26Q25R56	130	SS30A05L18	133	SS30A25H56BD107	168	SS30Q05H18BD107	168
	SS26Q30H14	130	SS30A05LR14	133	SS30A25L14	133	SS30Q05L14	132
	SS26Q30H14SD104	168	SS30A05LR18	133	SS30A25L18	133	SS30Q05L18	132
	SS26Q30H56	130	SS30A05R14	133	SS30A25L56	133	SS30Q05LR14	132
	SS26Q30H56SD104	168	SS30A05R18	133	SS30A25LR14	133	SS30Q05LR18	132
	SS26Q30HA14	130	SS30A07H14	133	SS30A25LR18	133	SS30Q05R14	132
SS26Q30HA56	130	SS30A07H14BD107	168	SS30A25LR56	133	SS30Q05R18	132	
SS26Q30L14	130	SS30A07H18	133	SS30A25R14	133	SS30Q07H14	132	
SS26Q30L56	130	SS30A07H18BD107	168	SS30A25R18	133	SS30Q07H14BD107	168	
SS26Q30LR14	130	SS30A07L14	133	SS30A25R56	133	SS30Q07H18	132	
SS26Q30LR56	130	SS30A07L18	133	SS30A30H14	133	SS30Q07H18BD107	168	
SS26Q30R14	130	SS30A07LR14	133	SS30A30H14BD107	168	SS30Q07L14	132	
SS26Q30R56	130	SS30A07LR18	133	SS30A30H56	133	SS30Q07L18	132	

Part number	Page	Part Number	Page	Part number	Page	Part number	Page
SS30Q07LR14	132	SS30Q30H14BD107	168				
SS30Q07LR18	132	SS30Q30H56	132				
SS30Q07R14	132	SS30Q30H56BD107	168				
SS30Q07R18	132	SS30Q30L14	132				
SS30Q10H14	132	SS30Q30L56	132				
SS30Q10H14BD107	168	SS30Q30LR14	132				
SS30Q10H18	132	SS30Q30LR56	132				
SS30Q10H18BD107	168	SS30Q30R14	132				
SS30Q10L14	132	SS30Q30R56	132				
SS30Q10L18	132	SS30Q40H14	132				
SS30Q10LR14	132	SS30Q40H14BD107	168				
SS30Q10LR18	132	SS30Q40H56	132				
SS30Q10R14	132	SS30Q40H56BD107	168				
SS30Q10R18	132	SS30Q40L14	132				
SS30Q15H14	132	SS30Q40L56	132				
SS30Q15H14BD107	168	SS30Q40LR14	132				
SS30Q15H18	132	SS30Q40LR56	132				
SS30Q15H18BD107	168	SS30Q40R14	132				
SS30Q15L14	132	SS30Q40R56	132				
SS30Q15L18	132	SS30Q50H14	132				
SS30Q15LR14	132	SS30Q50H14BD107	168				
SS30Q15LR18	132	SS30Q50H56	132				
SS30Q15R14	132	SS30Q50H56BD107	168				
SS30Q15R18	132	SS30Q50L14	132				
SS30Q20H14	132	SS30Q50L56	132				
SS30Q20H14BD107	168	SS30Q50LR14	132				
SS30Q20H18	132	SS30Q50LR56	132				
SS30Q20H18BD107	168	SS30Q50R14	132				
SS30Q20H56	132	SS30Q50R56	132				
SS30Q20H56BD107	168	SS30Q60H14	132				
SS30Q20L14	132	SS30Q60H14BD107	168				
SS30Q20L18	132	SS30Q60H56	132				
SS30Q20L56	132	SS30Q60H56BD107	168				
SS30Q20LR14	132	SS30Q60L14	132				
SS30Q20LR18	132	SS30Q60L56	132				
SS30Q20LR56	132	SS30Q60LR14	132				
SS30Q20R14	132	SS30Q60LR56	132				
SS30Q20R18	132	SS30Q60R14	132				
SS30Q20R56	132	SS30Q60R56	132				
SS30Q25H14	132	SS30TORQARM	161				
SS30Q25H14BD107	168	W12TO15BASE	176				
SS30Q25H18	132	W16TO17BASE	176				
SS30Q25H18BD107	168	W21TO23BASE	176				
SS30Q25H56	132	W28TO35BASE	176				
SS30Q25H56BD107	168						
SS30Q25L14	132						
SS30Q25L18	132						
SS30Q25L56	132						
SS30Q25LR14	132						
SS30Q25LR18	132						
SS30Q25LR56	132						
SS30Q25R14	132						
SS30Q25R18	132						
SS30Q25R56	132						
SS30Q30H14	132						

—
Notes

Metric Reducers –
Ratings & Dimensions

Ratio multiplier

Accessories

Competitor interchange

Renewal parts

Part number index

Also, see these publications for additional gearing information

Torque Arm, Torque Arm II and MTA 9AKK107590 (CA1601)

- Heavy duty shaft mount and right angle reducers
- Twin taper bushing system
- Torque ratings to 1,000,000 in-lbs

Maxum XTR 9AKK107350 (CA1612)

- Heavy duty concentric shaft reducers
- Scoop packages featuring Raptor and Grid-Lign couplings
- Torque ratings to 600,000 in-lbs

Metric Motorized Torque-Arm II 9AKK106536 (ICA1611)

- Heavy duty right angle gear reducer
- 7 case sizes
- AGMA rated design
- Uses standard TALL accessories
- Twin tapered bushing system
- Shaft sizes up to 120mm or 4-7/16"
- Torque ratings up to 15,000 Nm or 130,000 in-lb

MagnaGear Engineering catalog 9AKK107695 (CA1610)

- Heavy duty right angle and offset parallel reducers
- Twin taper bushing systems to an 8 in diameter
- Complete drive systems with swing bases, tunnel housings and base plates
- Torque ratings to 3,500,000 in-lbs

Quantis Gearing Engineering catalog 9AKK107344 (CA1603)

- Low energy consumption
- Easy installation and removal
- Reliable performance
- Comprehensive offering



Dodge Industrial, Inc.

1061 Holland Road, Simpsonville, SC 29681

+1 864 297 4800

dodgeindustrial.com

Dodge Industrial, Inc. reserves all rights in this document and in the subject matter and illustrations contained therein. We reserve the right to modify contents without prior notice and do not accept responsibility for potential errors or possible lack of information in this document. Any reproduction, disclosure to third parties or utilization of its contents—in whole or in parts—is forbidden without prior written consent of Dodge Industrial, Inc.

© Copyright Dodge Industrial, Inc. All rights reserved. Specifications subject to change without notice.
An RBC Bearings company.