



## Take-Up Frames

Features / Benefits .....	B19-2
How To Order .....	B19-6
Nomenclature .....	B19-7
Selection/Dimensions	
Narrow Slot .....	B19-8
Wide Slot .....	B19-11
ULTRA KLEEN Stainless Steel .....	B19-12
Telescoping .....	B19-15
Top Angle .....	B19-20
TPHU .....	B19-24
Center Pull .....	B19-26
LD Protected Screw .....	B19-30
HD Protected Screw .....	B19-36
BRONZOIL® .....	B19-44
Type A & B .....	B19-45
Part Number Index .....	INDEX-1
Key Word Index .....	KEYWORD-1



# FEATURES/BENEFITS

## Take-Up Frames

The flexibility of the ten basic take-up frames allow for the mounting of DODGE Ball, Roller, and Sleeve Bearings to encompass the vast range of conveyor, belt, and chain take-up applications.

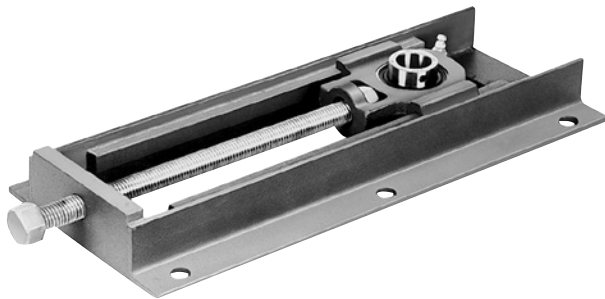
### Narrow Slot Take-Up Frame - NS



Five sizes of Narrow Slot Ball Bearing Take-Up Frames-Eleven (11) take-up frames with travels of 6 to 18 inches for:

- GT & GTM Narrow Slot Take-Up Bearings from 3/4" through 2-7/16" shaft size and metric 20mm to 60mm.
- SC, VSC & SCM Ball Bearing Take-Up Bearing from 1/2" through 2-7/16" shaft size, and metric 20 mm to 60 mm.
- SXV and SXR Ball Bearing Take-Up Bearing from 3/4" through 2-7/16" shaft size.
- DL Ball Bearing Take-Up Bearing from 3/4" through 1-7/16" shaft size.
- LT700 and LT1000 SOLIDLUBE Take-Up Bearing from 3/4" through 2-1/2" shaft size.

### Wide Slot Take-Up Frame - WS



Six sizes of Wide Slot Ball Bearing Take-Up Frames-Thirty (30) take-up frames with travels of 1-1/2 to 30 inches for:

- GT & GTM Wide Slot Ball Bearings from 3/4" through 3" shaft size and metric 20mm to 75mm.
- SC, VSC and SCM Wide Slot Take-Up Bearings from 1/ 2" through 3" shaft size, and metric 20 mm to 75 mm.
- SXV and SXR Wide Slot Take-Up Bearings from 3/4" through 2-7/16" shaft size.
- DL Ball Bearing Take-Up Bearing from 1-7/16" through 1-15/16" shaft size.
- LT700 and LT1000 SOLIDLUBE Wide Slot Take-Up Bearing from 3/4" through 3" shaft size.

### Telescoping Take-Up Frame - TS



#### Telescoping Take-Up Frames

- Space saving telescoping take-up frame quickly mounts to the side of a conveyor
- Use any standard ball or roller bearing 2-bolt pillow block
- Factory lubricated adjustment screw
- Internal take-up frame screw is protected from the surrounding environment
- Bearing mounting plate is standard on all Dodge telescoping take-up frames.

#### Available Options

- Four bolt mounting plate (4B)
- Tapped base mounting plate (TB)
- Weld-on frame (without mounting feet) (WF)
- Stainless Steel (SS)
- Grease Fitting (GF)



# FEATURES/BENEFITS

## Take-Up Frames

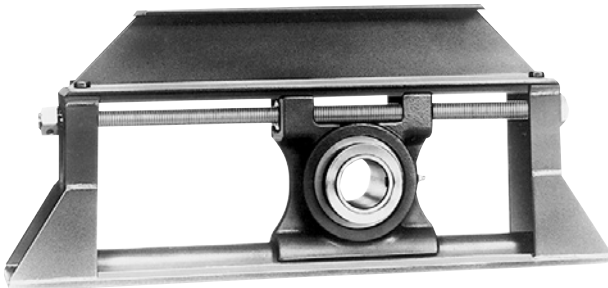
**Top Angle Take-Up Frame - TP**



Six sizes of Top Angle Take-Up Frames-Thirty-Six (36) Take-Up frames with travels of 12 to 48 inches for:

- GLT-700 & GLT-1000 Series (SOLIDLUBE Sleeve) Take-Up bearings from 1-15/16" through 3" shaft size.
- Type H (Babbitted Sleeve) Take-Up bearings from 1-15/16" through 3-15/16" shaft size.
- Type G (SC Ball Bearing) Take-Up bearings from 1-15/16" through 2-15/16" shaft size.
- Type GXR (SXR Ball Bearing) Take-Up bearings from 1-15/16" through 2-7/16" shaft size.
- Type GM (SCM Ball Bearing) Take-Up bearings from 1-11/16" through 3-1/2" shaft size.
- Type E (Tapered Roller) Take-Up bearings from 1-3/4" through 4" shaft size.
- Type K (Tapered Roller) Take-Up bearings from 1-3/4" through 3-15/16" shaft size.
- TP S2000 (Spherical Roller) Take-Up bearings from 1-7/8" through 4" shaft size.

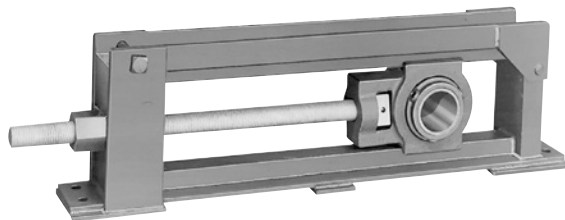
**TPHU Take-Up Frame**



Six sizes of TPHU Take-Up Frames-Twenty-Four (24) Take-Up frames with travels of 12 to 36 inches for:

- TPHU S-2000 (Spherical Roller) Take-Up Bearings from 1-7/8" through 5" shaft size.

**Center Pull Take-Up Frame - CP**



Nine sizes of Center Pull Wide Slot Take-Up Frames-Forty-five (45) take-up frames with travels of 12 to 36 inches for:

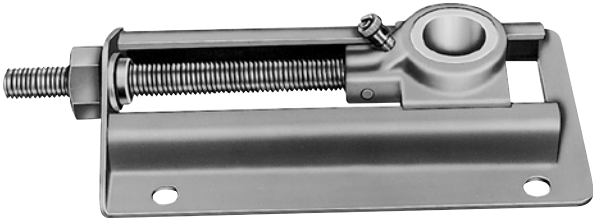
- Type E tapered wide slot bearing from 1-3/8" to 3" bore size.
- Type K tapered wide slot bearing from 1-3/8" to 3" bore size.
- S-2000 spherical wide slot bearing from 1-1/8" to 5" bore size.
- Imperial spherical wide slot bearing from 1-7/16" to 4" bore size.
- U.S. Patent No. 4,676,670



# FEATURES/BENEFITS

## Take-Up Frames

### BRONZOIL Take-Up Frame - BOTU



One size of BRONZOIL® Sleeve Bearing Take-Up-The BRONZOIL Take-Up is recommended for light-to-medium loads and for use at moderate speeds; such as package conveyors, light material handling installations, or other similar applications.

There are 6 take-ups from 1/2" through 1" shaft size with 4 inch travel.

### Light Duty Take-Up Frame - LD



Six sizes of LD Protected Screw Take-Up Frames - Forty-Five (45) take-up frames with 6 to 48 inch travel for:

- SC/SCB (Ball Bearing) pillow blocks from 1/2" through 2-15/16" bore size.
- SXR/SXRB & SXV/SXVB (Ball Bearing) pillow blocks from 1/2" through 2-7/16" bore size
- DL/DLB (Ball Bearing) pillow blocks from 3/4" through 2-15/16" bore size.
- SCM (Ball Bearing) pillow blocks from 1-7/16" through 3-1/2" bore size.
- DLM (Ball Bearing) pillow blocks from 1" through 3-7/16" bore size
- Babbitted (Sleeve) Solid Journal bearing from 1/2" through 2-15/16" bore size.
- SOLIDLUBE (Sleeve) LT700 and LT1000 Series pillow blocks from 3/4" through 3" bore size.
- SOLIDLUBE (Sleeve) LTB700 and LTB1000 Series pillow blocks from 3/4" through 2-1/2" bore size.
- UNISPHERE (Spherical Roller) two (2) bolt base pillow block from 1-7/16" through 3-1/2" bore sizes.
- Imperial (Spherical Roller) two (2) bolt base pillow block from 1-7/16" through 3-15/16" bore size.
- SCH, SCH-E SXRH, SXRH-E, DLH, DLH-E SCMH SCMHE, DLMH, DLMH-E.
- GT/GTB (Ball Bearing) pillow blocks from 1/2" through 2-15/16" bore size
- GTM (Ball Bearing) pillow blocks from 1" through 3-7/16" bore size



## Take-Up Frames

**Heavy Duty Take-Up Frame - HD**



Eight sizes of HD Protected Screw Take-Up Frames-Forty-One (41) take-up frames with travels from 12 to 60 inches for:

- Angle Babbitted (Sleeve) pillow blocks from 1-15/16" through 5-15/16", bore size.
- Angle Bronze Bushed (Sleeve) pillow blocks from 1-15/16" through 5-15/16", bore size.
- Type E (Taper Roller) pillow blocks from 1-1/2" through 6" bore size.
- Type K (Taper Roller) pillow blocks from 1-1/2" through 3-15/16" bore size.
- K/DI (Taper Roller) pillow blocks from 1-1/2" through 5" bore size.
- Type C (Taper Roller) pillow blocks from 1-11/16" through 5" bore size.
- Special Duty (Taper Roller) pillow blocks from 2-11/16" through 6" bore size.
- SOLIDLUBE (Sleeve) MM700 and MM1000 Series pillow blocks from 3-7/16" through 5" bore size.
- SAF-XT, TAF, ISAF, etc. (Spherical and Tapered Roller) pillow blocks from 1-15/16" through 5-1/2" bore size and larger.
- USAF, SAFS spherical pillow blocks, 2-bolt and 4-bolt from 2-7/16" through 5-1/2" bore size.
- S2000 spherical pillow blocks, 2-bolt and 4-bolt from 1-7/8" through 5" bore size.
- UNISPHERE (Spherical Roller) pillow block 2-bolt base from 1-15/16" through 4" bore sizes.
- Imperial (Spherical roller) pillow block 2-bolt and 4-bolt from 1-15/16" through 4-15/16" bore size.
- For larger bore bearings use HD600 or HD650, consult DODGE.



## Take-Up Frames

There are two ways to specify DODGE Take-Up Frames. Most of the product offerings have part numbers with listings shown throughout this catalog. Use of part numbers ensures accurate order processing.

When part numbers are not shown, the product may be specified by description or part name. This method is used when ordering units that include modifications or options. To order by description, use the nomenclature key shown on page B19-7 and add any special instructions to the end of the description for options not covered by the nomenclature.

**NOTE: All Take-Up Frames, except Bronzoil Take-Ups, are without the Take-Up Bearings. Thus, for a complete Take-Up; order a Take-Up Frame and Take-Up Bearing.**

### The HD Protected Screw Take-Up Frames

HD 200 through HD 350 Take-Up frames will accommodate pillow blocks on saddles which are slotted for two-bolt Pillow Blocks and may be ordered by part numbers. When using four-bolt Pillow Blocks; or on HD frames 400 and larger, please supply:

1. Bore size of pillow block
2. Type of block (Type E, Double Interlock, SAF-XT, etc.)
3. Whether pillow block is two-or four-bolt style
4. Frame Travel

#### Modifications:

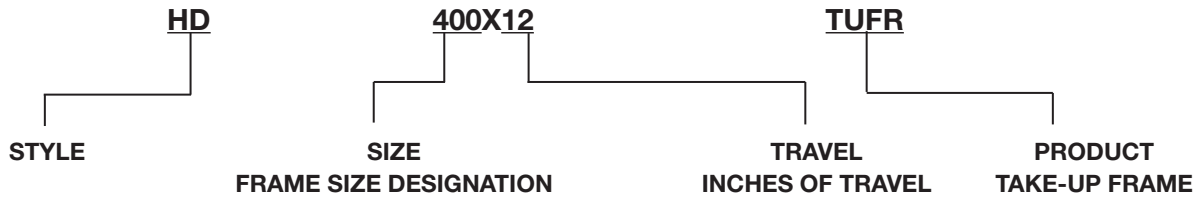
For OEM special Take-Up Frames consult DODGE.

Certain modifications are available such as Stainless Steel Screw and non-standard travel lengths.



# NOMENCLATURE

## Take-Up Frames



CP	Center Pull Wide Slot Take-Up Frame
WS	Wide Slot Ball Bearing Take-Up Frame
WSEZ	Ultra Kleen Wide Slot Ball Bearing Take-Up Frame
NS	Narrow Slot Ball Bearing Take-Up Frame
LD	Light Duty Protected Screw Take-Up Frame
TU	Take-Up
HD	Heavy Duty Protected Screw Take-Up Frame
TP	Top Angle Take-Up Frame
TPHU	Top Angle Heavy Duty Universal Take-Up Frame
TS	Telescoping Take-Up Frame
TUA	Type A Babbitted Take-Up Bearing
TUB	Type B Babbitted Take-Up Bearing
BOTU	BRONZOIL Take-Up
FR	Frame
SSS	Stainless Steel Screw

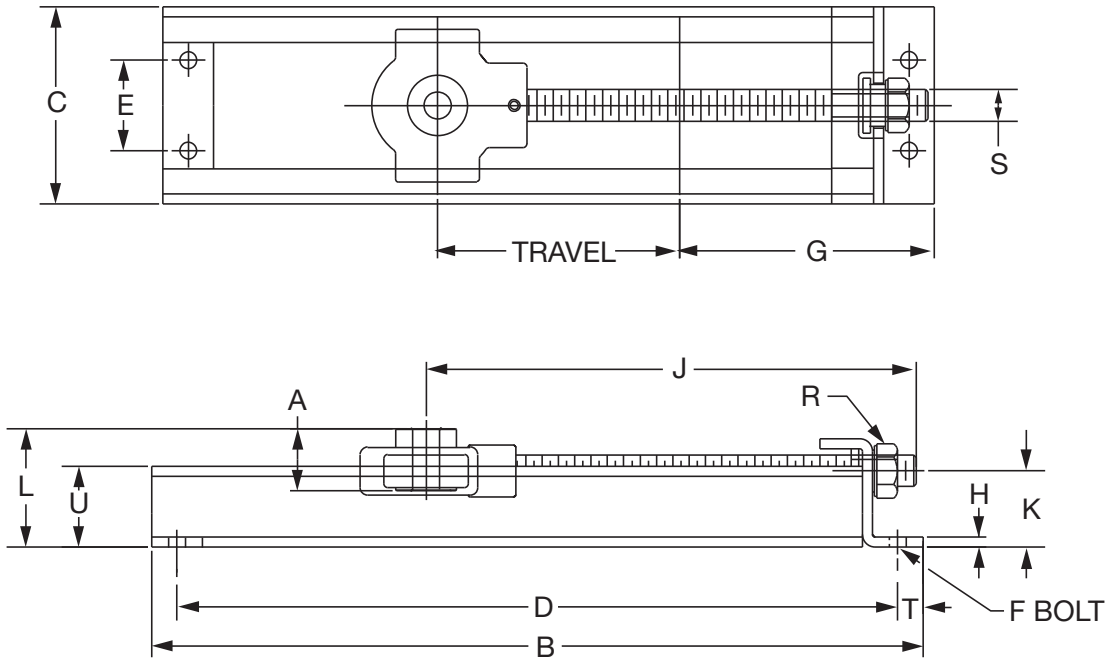
TU = Take-Up When Used As An Abbreviation Through This Section

FEATURES/BENEFITS PAGE B19-2	HOW TO ORDER/NOMENCLATURE PAGE B19-7	SELECTION/DIMENSIONS PAGE B19-8
---------------------------------	---	------------------------------------

# SELECTION/DIMENSIONS



## Take-Up Frames -NS NARROW SLOT BALL BEARING TAKE-UP FRAMES



Frame Description	Part No.	Wt. (Lbs.)	A	B	C	D	E	F Base Bolt		G
								No.	Dia.	
NS-210x6-TUFR	<b>038109</b>	5.5	See page B19-10 for list of reference pages for Take-Up Bearings	13-5/8	3-13/16	12-1/8	1-5/8	4	1/2	4-7/8
NS-308x6-TUFR	<b>038110</b>	5.8		13-5/8	4-11/16	12-1/8	2-1/4	4	1/2	5-3/8
NS-308x12-TUFR	<b>038111</b>	8.0		19-5/8	18-1/8	12-1/8	2-1/4	4	1/2	5-3/8
NS-400x6-TUFR	<b>038112</b>	9.2		14-9/16	13-1/16	13-1/16	2-1/2	4	1/2	6
NS-400x9-TUFR	<b>038113</b>	11.3		18-5/8	17-1/8	17-1/8	2-1/2	4	1/2	6
NS-400x12-TUFR	<b>038114</b>	12.5		20-9/16	19-1/16	19-1/16	2-1/2	4	1/2	6
NS-400x18-TUFR	<b>038115</b>	16.3		27-5/8	26-1/8	26-1/8	2-1/2	4	1/2	6
NS-407x9-TUFR	<b>038116</b>	13.1		19-1/8	17-3/8	17-3/8	2-3/4	4	5/8	7-1/8
NS-407x18-TUFR	<b>038117</b>	18.6		28-1/8	26-3/8	26-3/8	2-3/4	4	5/8	7-1/8
NS-415x9-TUFR	<b>038118</b>	15.5		19-1/8	17-3/8	17-3/8	3	4	5/8	7-3/8
NS-415x18-TUFR	<b>038119</b>	19.0	28-1/8	26-3/8	26-3/8	3	4	5/8	7-3/8	

Frame Description	H	J	K	L	R Hex	S	T	U	Channel
NS-210x6-TUFR	1/4	11-1/32	1-13/32	See Table on Page B19-9 for "L" Dim.	1-5/16	3/4-10	3/4	1-1/2	1-1/2 x 9/16 x 3/16
NS-308x6-TUFR	1/4	10-13/16	1-13/32		1-5/16	3/4-10	3/4	1-1/2	1-1/2 x 9/16 x 3/16
NS-308x12-TUFR		16-13/16	1-13/32		1-5/16	3/4-10	3/4	1-1/2	1-1/2 x 9/16 x 3/16
NS-400x6-TUFR	1/4	11-1/16	1-7/8		1-1/2	7/8-9	3/4	2	2 x 1 x 3/16
NS-400x9-TUFR		14-1/16			1-1/2	7/8-9	3/4	2	2 x 1 x 3/16
NS-400x12-TUFR		17-1/16			1-1/2	7/8-9	3/4	2	2 x 1 x 3/16
NS-400x18-TUFR		23-1/16			1-1/2	7/8-9	3/4	2	2 x 1 x 3/16
NS-407x9-TUFR	5/16	15-19/32	1-7/8		1-5/8	1-8	1	2	2 x 1 x 3/16
NS-407x18-TUFR	5/16	24-19/32	1-7/8		1-5/8	1-8	1	2	2 x 1 x 3/16
NS-415x9-TUFR	5/16	15-27/32	1-7/8		1-5/8	1-8	1	2	2 x 1 x 3/16
NS-415x18-TUFR		24-27/32		1-5/8	1-8	1	2	2 x 1 x 3/16	

FEATURES/BENEFITS PAGE B19-2	HOW TO ORDER/NOMENCLATURE PAGE B19-7	SELECTION/DIMENSIONS PAGE B19-8
---------------------------------	---	------------------------------------



# SELECTION/DIMENSIONS



## Take-Up Frames - Narrow Slot Frame L DIMENSION

Series	Shaft Size	Take Up Frame No. Ref.	L					
			SC	VSC	SXR	SXV	DL	GT
204	1/2	NS-210	2.11	2.11	2.43	2.30	2.16	2.40
	5/8							
	3/4							
205	7/8	NS-210	2.16	2.16	2.44	2.30	2.26	2.36
	15/16							
206	1	NS-308	2.32	2.32	2.57	2.43	2.36	2.97
	1-1/16							
	1-1/8							
	1-3/16							
207	1-1/4	NS-308	2.42	2.42	2.66	2.54	2.46	2.46
	1-5/16							
	1-3/8							
	1-7/16							
208	1-1/2	NS-400	3.03	3.03	3.21	3.12	3.10	3.07
	1-5/8							
209	1-5/8	NS-400	3.03	3.03	3.22	3.10	3.10	3.07
	1-11/16							
	1-3/4							
210	1-15/16	NS-400	3.03	3.03	3.34	3.10	3.10	3.07
	2							
211	2	NS-407	3.19	3.19	3.55	3.13	3.21	3.10
	2-3/16							
212	2-1/4	NS-415	3.26	N/A	3.68	N/A	3.32	3.23
	2-7/16							

Series	Shaft Size	Take Up Frame No. Ref.	L		
			SCM	DLM	GTM
206	1	NS-308	2.32	2.36	2.47
207	1-3/16	NS-308	2.42	2.46	2.46
	1-1/4				
208	1-7/16	NS-400	3.03	3.10	3.07
209	1-1/2	NS-400	3.03	3.10	3.07
	1-5/8				
210	1-11/16	NS-400	3.03	3.10	3.07
	1-3/4				
211	1-15/16	NS-407	3.19	3.21	3.10
	2				
212	2-3/16	NS-415	3.26	3.32	3.23
	2-1/4				

FEATURES/BENEFITS PAGE B19-2	HOW TO ORDER/NOMENCLATURE PAGE B19-7	SELECTION/DIMENSIONS PAGE B19-8
---------------------------------	---	------------------------------------



# SELECTION/DIMENSIONS

## Narrow Slot (NS) Take-Up Frame Bearings

**NORMAL DUTY  
SETSCREW - SC, VSC  
D-LOK - DL  
ECCENTRIC LOCK - SXR, SXV  
GRIP TIGHT - GT**

**MEDIUM DUTY  
SETSCREW - SCM  
D-LOK - DLM  
GRIP TIGHT - GTM**

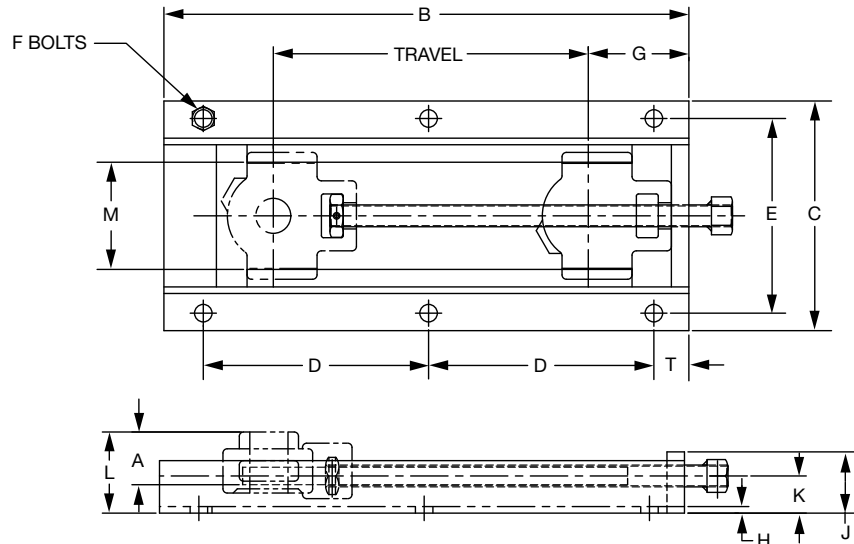
Series	Shaft Size	Frame Size
204	1/2	NS-210
	5/8	
	3/4	
	20mm	
205	7/8	NS-210
	15/16	
	1 25mm	
206	1-1/16	NS-308
	1-1/8	
	1-3/16	
	1-1/4	
	30mm	
207	1-1/4	NS-308
	1-5/16	
	1-3/8	
	1-7/16 35mm	
208	1-1/2	NS-400
	1-5/8 40mm	
209	1-5/8	NS-400
	1-11/16	
	1-3/4 45mm	
210	1-15/16	NS-400
	2 50mm	
211	2	NS-407
	2-3/16	
	2-1/4 55mm	
212	2-1/4	NS-415
	2-7/16 60mm	

- Narrow Slot Take-Up Frames Are Not Supplied With Bearings. First Match The Take-Up Frame With The Bearing Size From This Page. Then Turn To The Page Listed For The Specific Bearing Part Number.
- Ultra Kleen (SC) - B1-32 to B1-33
- E-Z Kleen (SC) - B2-38
- Extreme Duty (SC) - B3-25 to B3-29
- Setscrew (SC, SCM & VSC) - B4-70 to B4-73
- Grip Tight (GT and GTM) - B5-50 to B5-53
- D-LOK (DL and DLM) - B6-42 to B6-45
- Eccentric Lock (SXR and SXV) - B7-32 to B7-33
- See B19-8 For Narrow Slot Take-Up Frame Travel Options And Part Numbers

Series	Shaft Size	Frame Size
206	1	NS-308
	25mm	
207	1-3/16	NS-308
	1-1/4 30mm	
208	1-7/16	NS-400
	35mm	
209	1-1/2	NS-400
	40mm	
210	1-11/16	NS-400
	1-3/4	
	45mm	
211	1-15/16	NS-407
	2 50mm	
212	2-3/16	NS-415
	2-1/4 55mm	



## Take-Up Frames - WS WIDE SLOT BALL BEARING TAKE-UP FRAMES

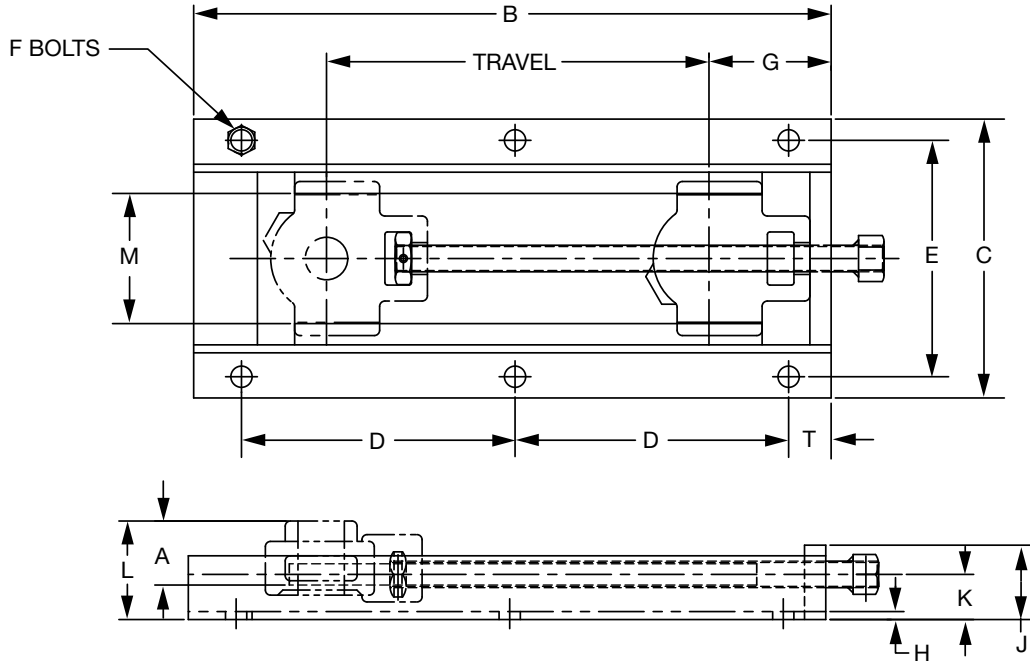


Frame Description	Part No.	Wt.	A	B	C	D	E	F		G	H	J	K	M	S Screw Dia.	T
								No.	Dia.							
WS-300X1-1/2-TUFR	<b>038200</b>	4.8	See chart on page B19-14 for list of reference pages for Take-Up Bearings	7-1/2	6-9/16	5-3/8	5-9/16	4	7/16	2-15/16	3/16	1-3/4	1-1/16	3-1/16	5/8	1
WS-300X3-TUFR	<b>038201</b>	5.5		9		6-7/8		4								
WS-300X6-TUFR	<b>038202</b>	7		12		6-7/16		6								
WS-300X9-TUFR	<b>038203</b>	8.5		15		6-7/16		6								
WS-300X12-TUFR	<b>038204</b>	10		18		7-15/16		6								
WS-308X3-TUFR	<b>038205</b>	7.5	See Table on Page B19-13 for "L" Dim.	9-1/8	7-1/16	6-7/16	6-1/16	4	7/16	3-11/16	3/16	2	1-1/4	3-9/16	3/4	1
WS-308X6-TUFR	<b>038206</b>	9		12-1/8		9-7/16		4								
WS-308X9-TUFR	<b>038207</b>	10.5		15-1/8		6-7/32		6								
WS-308X12-TUFR	<b>038208</b>	12		18-1/8		7-23/32		6								
WS-308X18-TUFR	<b>038209</b>	15		24-1/8		10-23/32		6								
WS-400X3-TUFR	<b>038210</b>	11.5	See Table on Page B19-13 for "L" Dim.	10-3/4	8-13/16	8-1/2	7-5/16	4	1/2	4-5/16	3/16	2-1/4	1-7/16	4-1/16	1	1-1/8
WS-400X6-TUFR	<b>038211</b>	14		13-3/4		11-1/2		4								
WS-400X9-TUFR	<b>038212</b>	16.5		16-3/4		7-1/4		6								
WS-400X12-TUFR	<b>038213</b>	19		19-3/4		8-3/4		6								
WS-400X18-TUFR	<b>038214</b>	24		25-3/4		11-3/4		6								
WS-502X6-TUFR	<b>038215</b>	20	10-7/16	14-3/4	10-7/16	12-1/2	8-5/8	4	9/16	5-11/16	3/16	2-1/2	1-1/2	5-3/16	1-1/4	1-1/8
WS-502X9-TUFR	<b>038216</b>	23.5		17-3/4		15-1/2		4								
WS-502X12-TUFR	<b>038217</b>	27		20-3/4		9-1/4		6								
WS-502X15-TUFR	<b>038218</b>	30.5		23-3/4		10-3/4		6								
WS-502X18-TUFR	<b>038219</b>	34		26-3/4		12-1/4		6								
WS-502X24-TUFR	<b>038220</b>	41	32-3/4	15-1/4	6											
WS-515X9-TUFR	<b>038221</b>	36	12	20-7/8	12	17-1/2	10-1/4	4	5/8	6-1/2	1/4	3	2	6	1-1/2	2-1/2
WS-515X12-TUFR	<b>038222</b>	41		23-7/8		10-1/4		6								
WS-515X18-TUFR	<b>038223</b>	51		29-7/8		13-1/4		6								
WS-515X24-TUFR	<b>038224</b>	61		35-7/8		16-1/4		6								
WS-515X30-TUFR	<b>038225</b>	71		41-7/8		19-1/4		6								
WS-608X12-TUFR	<b>038226</b>	41	12-9/16	23-7/8	12-9/16	10-1/4	10-13/16	6	5/8	6-1/2	1/4	3	2	6-9/16	1-1/2	2-1/2
WS-608X18-TUFR	<b>038227</b>	51		29-7/8		13-1/4		6								
WS-608X24-TUFR	<b>038228</b>	61		35-7/8		16-1/4		6								
WS-608X30-TUFR	<b>038229</b>	71		41-7/8		19-1/4		6								

FEATURES/BENEFITS PAGE B19-2	HOW TO ORDER/NOMENCLATURE PAGE B19-7	SELECTION/DIMENSIONS PAGE B19-8
---------------------------------	---	------------------------------------



## Take-Up Frames - WS ULTRA KLEEN (Stainless Steel) WIDE SLOT BALL BEARING TAKE-UP FRAME



Frame Description	Part No.	Wt.	A	B	C	D	E	F		G	H	J	K	M	S Screw Dia.	T
								No.	Dia.							
WSEZ-300X3-TUFR-SSS	<b>038070</b>	6	See page B2-66 to B2-71 for E-Z KLEEN Wide Slot Take-Up Bearings	9	6-9/16	6-7/8	5-9/16	4	1/2	2-15/16	3/16	1-3/4	1-1/16	3-1/16	5/8	1
WSEZ-300X6-TUFR-SSS	<b>038071</b>	7.9		12		4-15/16		6								
WSEZ-300X9-TUFR-SSS	<b>038072</b>	9.8		15		6-7/16		6								
WSEZ-300X12-TUFR-SSS	<b>038073</b>	11.7		18		7-15/16		6								
WSEZ-308X3-TUFR-SSS	<b>038074</b>	7.3	9-1/8	7-1/16	6-7/16	6-1/16	4	1/2	3-11/16	3/16	2	1-1/4	3-9/16	3/4	1	
WSEZ-308X6-TUFR-SSS	<b>038075</b>	9.4	12-1/8		9-7/16		4									
WSEZ-308X9-TUFR-SSS	<b>038076</b>	11.4	15-1/8		6-7/32		6									
WSEZ-308X12-TUFR-SSS	<b>038077</b>	13.4	18-1/8		7-23/32		6									
WSEZ-308X18-TUFR-SSS	<b>038078</b>	17.4	24-1/8	10-23/32	6											
WSEZ-400X3-TUFR	<b>038060</b>	11.5	See Table on Page B19-13 for "L" Dim.	10-3/4	8-13/16	8-1/2	7-5/16	4	1/2	4-5/16	3/16	2-1/4	1-7/16	4-1/16	1	1-1/8
WSEZ-400X6-TUFR	<b>038061</b>	14		13-3/4		11-1/2		4								
WSEZ-400X9-TUFR	<b>038062</b>	16.5		16-3/4		7-1/4		6								
WSEZ-400X12-TUFR	<b>038063</b>	19		19-3/4		8-3/4		6								
WSEZ-400X18-TUFR	<b>038064</b>	24		25-3/4		11-3/4		6								

See table on page B19-13 for "L" dimension.

# SELECTION/DIMENSIONS



## Take-Up Frames - Wide Slot Frame L DIMENSION

Series	Shaft Size	Take Up Frame No. Ref.	L				
			VSC SC	SXR	SXV	DL	GT
204	1/2	WS-300	1.79	2.11	1.98	1.84	2.08
	5/8						
	3/4						
205	7/8	WS-300	1.84	2.12	1.98	1.94	2.04
	15/16						
206	1	WS-308	2.19	2.44	2.30	2.23	2.34
	1-1/16						
	1-1/8						
	1-3/16						
207	1-1/4	WS-308	2.29	2.53	2.41	2.33	2.33
	1-5/16						
	1-3/8						
	1-7/16						
208	1-1/2	WS-400	2.63	2.81	2.72	2.70	2.67
	1-5/8						
209	1-5/8	WS-400	2.63	2.786	2.70	2.70	3.67
	1-11/16						
	1-3/4						
210	1-15/16	WS-400	2.63	2.94	2.70	2.70	2.67
	2						
211	2	WS-502	2.85	3.21	2.79	2.87	2.76
	2-3/16						
	2-1/4						
212	2-1/4	WS-502	2.91	3.34	N/A	2.98	2.89
	2-7/16						
214	2-1/2	WS-515	3.48	N/A	N/A	3.54	3.55
	2-11/16						
215	2-15/16	WS-515	3.47	4.16	N/A	3.58	3.60

Series	Shaft Size	Take Up Frame No. Ref.	L		
			SCM	DLM	GTM
206	1	WS-308	2.19	2.23	2.34
207	1-3/16	WS-308	2.29	2.33	2.33
	1-1/4				
208	1-7/16	WS-400	2.63	2.70	2.67
209	1-1/2	WS-400	2.63	2.70	2.67
210	1-11/16	WS-400	2.63	2.70	2.67
	1-3/4				
211	1-15/16	WS-502	2.85	2.87	2.76
	2				
212	2-3/16	WS-502	2.91	2.98	2.89
	2-1/4				
214	2-7/16	WS-515	3.48	3.54	3.55
	2-1/2				
215	2-11/16	WS-515	3.47	3.58	3.60
216	2-15/16	WS-608	3.50	3.74	3.81

FEATURES/BENEFITS PAGE B19-2	HOW TO ORDER/NOMENCLATURE PAGE B19-7	SELECTION/DIMENSIONS PAGE B19-8
---------------------------------	---	------------------------------------



# SELECTION/DIMENSIONS

## Wide Slot (WS) Take-Up Frame Bearings

**NORMAL DUTY  
SETSCREW - SC, VSC  
D-LOK - DL  
ECCENTRIC LOCK - SXR, SXV  
GRIP TIGHT - GT**

Series	Shaft Size	Frame Size
204	1/2	WS-300
	5/8	
	3/4	
	20mm	
205	7/8	WS-300
	15/16	
	1	
	25mm	
206	1-1/16	WS-308
	1-1/8	
	1-3/16	
	1-1/4	
	30mm	
207	1-1/4	WS-308
	1-5/16	
	1-3/8	
	1-7/16	
208	35mm	WS-308
	1-1/2	
	1-5/8	
209	40mm	WS-400
	1-5/8	
	1-11/16	
210	1-3/4	WS-400
	45mm	
	1-15/16	
211	2	WS-400
	50mm	
212	2	WS-502
	2-3/16	
	2-1/4	
214	55mm	WS-502
	2-1/4	
	2-7/16	
215	60mm	WS-515
	2-1/2	
	2-11/16	
216	70mm	WS-515
	2-15/16	
217	75mm	WS-515
	75mm	

- Wide Slot Take-Up Frames Are Not Supplied With Bearings. First Match The Take-Up Frame With The Bearing Size From This Page. Then Turn To The Page Listed For The Specific Bearing Part Number.
- Ultra Kleen (SC) - B1-28 to B1-31
- EZ-Kleen Polymer Housing - B2-66 to B2-71 and B2-39
- Extreme Duty (SC) - B3-30 to B3-37
- Setscrew (SC, SCM & VSC) - B4-74 to B4-81
- Grip Tight (GT & GTM) - B5-54 to B5-59
- D-LOK (DL and DLM) - B6-46 to B6-49
- Eccentric Lock (SXR and SXV) - B7-34 to B7-35
- See B19-11 For Wide Slot Take-Up Frame Travel Options And Part Numbers

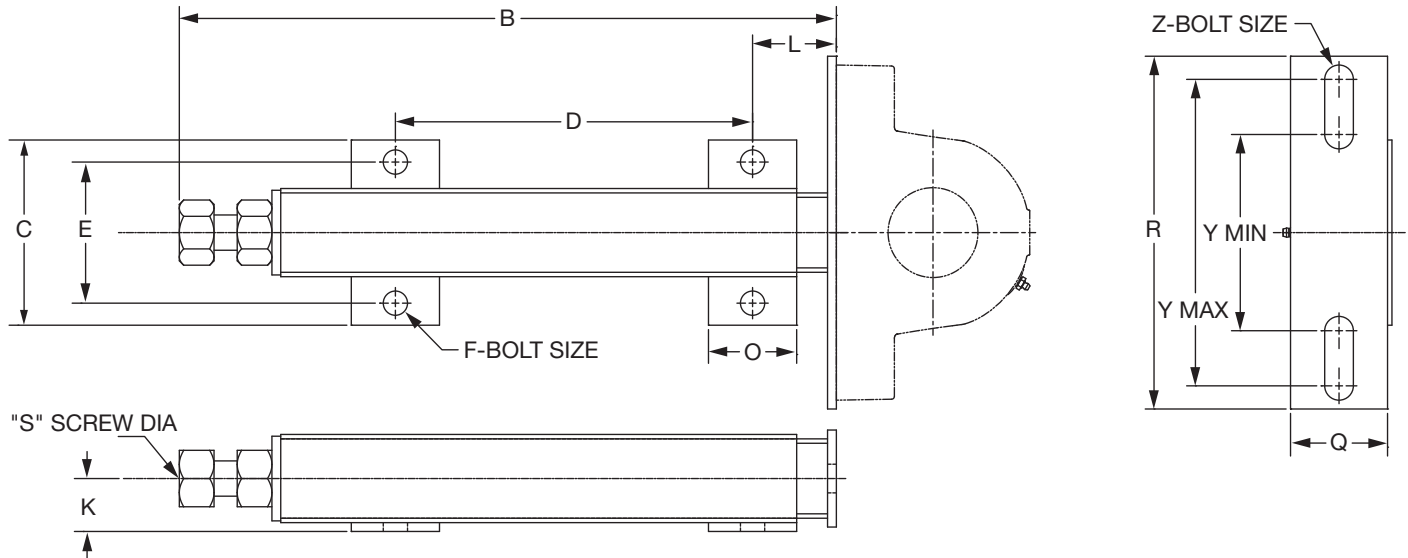
**MEDIUM DUTY  
SETSCREW - SCM, VSC  
D-LOK - DLM  
GRIP TIGHT - GTM**

Series	Shaft Size	Frame Size
206	1	WS-308
	25mm	
207	1-3/16	WS-308
	1-1/4	
	30mm	
208	1-7/16	WS-400
	35mm	
209	1-1/2	WS-400
	40mm	
210	1-11/16	WS-400
	1-3/4	
	45mm	
211	1-15/16	WS-502
	2	
212	50mm	WS-502
	2-3/16	
	2-1/4	
214	55mm	WS-502
	2-7/16	
215	2-1/2	WS-515
	70mm	
216	2-11/16	WS-515
	70mm	
	2-15/16	
217	3	WS-608
	75mm	

# SELECTION/DIMENSIONS



## Telescoping (TS) Take-Up Frame



Frame Size	Travel	Part No.	Wt. (lbs.)	B	C	D		E	F Bolt Dia.	K	L	O	Q	R	S Scr. Dia.	Y		Z Bolt Dia.
						Min.	Max.									Min.	Max.	
TS-100	3	089782	3	7.94	3.69	3.56	-	2.63	1/2	0.88	1.50	1.50	1.50	6.38	5/8	2.94	5.44	1/2
TS-100	6	089783	4	11.44	3.69	7.06	-	2.63	1/2	0.88	1.50	1.50	1.50	6.38	5/8	2.94	5.44	1/2
TS-100	9	089784	5	15.44	3.69	11.06	-	2.63	1/2	0.88	1.50	1.50	1.50	6.38	5/8	2.94	5.44	1/2
TS-250	3	089785	5	9.75	4.00	4.38	-	3.00	1/2	1.13	1.88	2.00	2.00	7.00	3/4	3.81	5.69	5/8
TS-250	6	089786	7	12.75	4.00	7.38	-	3.00	1/2	1.13	1.88	2.00	2.00	7.00	3/4	3.81	5.69	5/8
TS-250	9	089787	8	15.75	4.00	10.38	-	3.00	1/2	1.13	1.88	2.00	2.00	7.00	3/4	3.81	5.69	5/8
TS-250	12	089788	9	18.75	4.00	13.38	-	3.00	1/2	1.13	1.88	2.00	2.00	7.00	3/4	3.81	5.69	5/8
TS-300	6	089789	16	15.63	5.25	6.13	-	4.00	5/8	1.50	2.38	2.50	2.75	10.00	1	5.56	8.69	3/4
TS-300	9	089790	18	18.63	5.25	10.13	-	4.00	5/8	1.50	2.38	2.50	2.75	10.00	1	5.56	8.69	3/4
TS-300	12	089791	21	21.63	5.25	14.13	-	4.00	5/8	1.50	2.38	2.50	2.75	10.00	1	5.56	8.69	3/4
TS-300	18	089792	26	27.63	5.25	21.13	-	4.00	5/8	1.50	2.38	2.50	2.75	10.00	1	5.56	8.69	3/4
TS-350	9	089793	24	19.56	5.75	12.63	13.00	4.50	5/8	1.75	2.50	2.50	3.00	12.00	1	5.56	9.75	3/4
TS-350	12	089794	28	22.56	5.75	15.63	16.00	4.50	5/8	1.75	2.50	2.50	3.00	12.00	1	5.56	9.75	3/4
TS-350	18	089795	35	28.56	5.75	21.63	22.00	4.50	5/8	1.75	2.50	2.50	3.00	12.00	1	5.56	9.75	3/4
TS-350	24	089796	43	34.56	5.75	27.63	28.00	4.50	5/8	1.75	2.50	2.50	3.00	12.00	1	5.56	9.75	3/4
TS-400	12	089797	50	29.75	7.50	20.00	-	5.50	3/4	2.13	3.50	3.50	3.50	14.00	1-1/2	8.50	11.75	7/8
TS-400	18	089798	60	35.75	7.50	26.00	-	5.50	3/4	2.13	3.50	3.50	3.50	14.00	1-1/2	8.50	11.75	7/8
TS-400	24	089799	70	41.75	7.50	32.00	-	5.50	3/4	2.13	3.50	3.50	3.50	14.00	1-1/2	8.50	11.75	7/8
TS-400	36	089800	90	53.75	7.50	44.00	-	5.50	3/4	2.13	3.50	3.50	3.50	14.00	1-1/2	8.50	11.75	7/8
TS-400	48	089801	110	65.75	7.50	56.00	-	5.50	3/4	2.13	3.50	3.50	3.50	14.00	1-1/2	8.50	11.75	7/8
TS-500	18	089802	210	43.88	11.50	31.00	-	9.00	1	3.50	3.88	3.88	7.00	20.00	2	Drilled to Order	Drilled to Order	Drilled to Order
TS-500	24	089803	240	49.88	11.50	37.00	-	9.00	1	3.50	3.88	3.88	7.00	20.00	2	Drilled to Order	Drilled to Order	Drilled to Order
TS-500	36	089804	290	61.88	11.50	49.00	-	9.00	1	3.50	3.88	3.88	7.00	20.00	2	Drilled to Order	Drilled to Order	Drilled to Order

Dimensions in inches

FEATURES/BENEFITS PAGE B19-2	HOW TO ORDER/NOMENCLATURE PAGE B19-7	SELECTION/DIMENSIONS PAGE B19-8
---------------------------------	---	------------------------------------



# SELECTION/DIMENSIONS

## Telescoping (TS) Take-Up Frame Bearings

**NORMAL DUTY  
SETSCREW - SC, VSC  
D-LOK - DL  
ECCENTRIC LOCK - SXR, SXV  
GRIP TIGHT - GT**

Series	Shaft Size	Frame Size
204	1/2	TS-100
	5/8	
	3/4	
	20mm	
205	7/8	TS-100
	15/16	
	1	
206	1-1/16	TS-250
	1-1/8	
	1-3/16	
	1-1/4	
	30mm	
207	1-1/4	TS-250
	1-5/16	
	1-3/8	
	1-7/16	
208	35mm	TS-250
	1-1/2	
	1-5/8	
209	40mm	TS-250
	1-5/8	
	1-11/16	
210	1-3/4	TS-300
	45mm	
	1-15/16	
211	2	TS-300
	50mm	
	2	
212	2-3/16	TS-300
	2-1/4	
	55mm	
214	2-1/4	TS-300
	2-7/16	
	60mm	
215	2-1/2	TS-350 or TS-400
	2-11/16	
	70mm	
215	2-15/16	TS-350 or TS-400
	75mm	

- Telescoping Take-Up Frames Are Not Supplied With Bearings. First Match The Take-Up Frame With The Bearing Size From This Page. Then Turn To The Page Listed For The Specific Bearing Part Number.
- EZ-KLEEN Polymer Housing - B2-66 to B2-71
- Grip Tight (GT & GTM) - B5-54 to B5-59
- Setscrew (SC, SCM & VSC) - B8-20 to B8-23
- Eccentric Lock (SXR and SXV) - B7-34 to B7-35
- D-LOK (DL and DLM) - B6-46 to B6-49
- See B19-15 For Telescoping (TS) Take-Up Frame Travel Options And Part Numbers

**MEDIUM DUTY  
SETSCREW - SCM, VSC  
D-LOK - DLM  
GRIP TIGHT - GTM**

Series	Shaft Size	Frame Size
206	1	TS-250
	25mm	
207	1-3/16	TS-250
	1-1/4	
208	30mm	TS-250
	1-7/16	
209	35mm	TS-250
	1-1/2	
210	40mm	TS-300
	1-11/16	
	1-3/4	
211	45mm	TS-300
	1-15/16	
212	2	TS-300
	50mm	
214	2-3/16	TS-300
	2-1/4	
215	55mm	TS-350
	2-7/16	
216	2-1/2	TS-350 or TS-400
	2-11/16	
	70mm	
216	2-15/16	TS-350 or TS-400
	3	
216	75mm	TS-350 or TS-400
	75mm	





# SELECTION/DIMENSIONS

## Telescoping (TS) Take-Up Frame Bearings

### TAPERED ROLLER BEARINGS

Type E		Type K Double Interlock		TAF	
Shaft Size	Frame Size	Shaft Size	Frame Size	Shaft Size	Frame Size
1-3/16 to 1-1/4	TS-250	1-1/2 to 2-3/16	TS-300	2-7/16 to 2-1/2	TS-400
1-3/8 to 2-3/16	TS-300	2-1/4 to 2-1/2	TS-350	2-15/16 to 3	TS-400
1-1/2 to 2-3/16	TS-300	2-11/16 to 3	TS-400	3-7/16 to 4	TS-500
2-1/4 to 2-1/2	TS-350	3-3/16 to 3-1/2	TS-500	4-7/16 to 5	TS-500
2-11/16 to 3	TS-400	3-15/16 to 4-1/2	TS-500		
3-3/16 to 3-1/2	TS-400	4-15/16 to 5	TS-500		
3-15/16 to 5	TS-500				

- Type K - B10-40
- Type E - B10-22
- DOUBLE INTERLOCK - B10-50
- TAF - B10-58
- See B19-15 For Telescoping (TS) Take-Up Frame Travel Options and Part Numbers



# SELECTION/DIMENSIONS

## Telescoping (TS) Take-Up Frame Bearings

### UNITIZED SPHERICAL ROLLER BEARINGS

#### Imperial - IP

Shaft Size	Frame Size
1-1/8 to 1-1/2	TS-250
1-5/8 to 2-1/4	TS-300
2-3/8 to 2-1/2	TS-350
2-11/16 2-3/4 2-15/16 3	TS-350
3-3/16 3-1/4 3-7/16 3-1/2	TS-400
3-11/16 3-15/16 4 4-7/16 4-1/2	TS-500
4-15/16 5	TS-500

#### S-2000

Shaft Size	Frame Size
1-3/8 1-7/16 1-1/2	TS-250
1-11/16 1-3/4 1-15/16 2 2-3/16	TS-300
2-7/16	TS-350
2-11/16	TS-350
2-15/16 3	TS-350
3-7/16	TS-400
3-15/16 4-7/16	TS-500
4-15/16	TS-500

#### UNISPHERE II

Shaft Size	Frame Size
1-7/16 1-1/2 1-11/16 1-3/4	
1-15/16 2 2-3/16 2-7/16 2-1/2	TS-300
2-11/16 2-3/4 2-15/16 3	TS-350
3-7/16 3-1/2	TS-400
3-15/16 4	TS-400 or TS-500

### IMPERIAL & S2000 With Type E Dimensions

Shaft Size	Frame Size
1-3/16 to 1-1/4	TS-250
1-3/8 to 2-3/16	TS-300
2-1/4 to 2-1/2	TS-350
2-11/16 to 3	TS-400
3-3/16 to 3-1/2	TS-400
3-15/16 to 5	TS-500

- S-2000 - B12-14 to B12-25
- IMPERIAL - B14-30 to B14-37
- UNISPHERE - B13-12 to B3-13
- See B19-15 For Telescoping (TS) Take-Up Frame Travel Options and Part Numbers



# SELECTION/DIMENSIONS

## Telescoping (TS) Take-Up Frame Bearings

### UNIFIED SPHERICAL ROLLER BEARINGS

USAF-500

SAF-XT

SAFS

ISAF

Shaft Size	Frame Size
1-15/16	TS-300 or TS-350
2-3/16	TS-400
2-7/16 to 3	TS-400
3-3/16	TS-500
3-7/16 to 3-1/2	TS-500
3-15/16 to 4-1/2	TS-500
4-15/16	TS-500

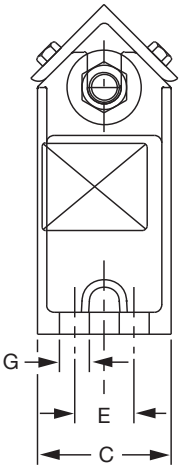
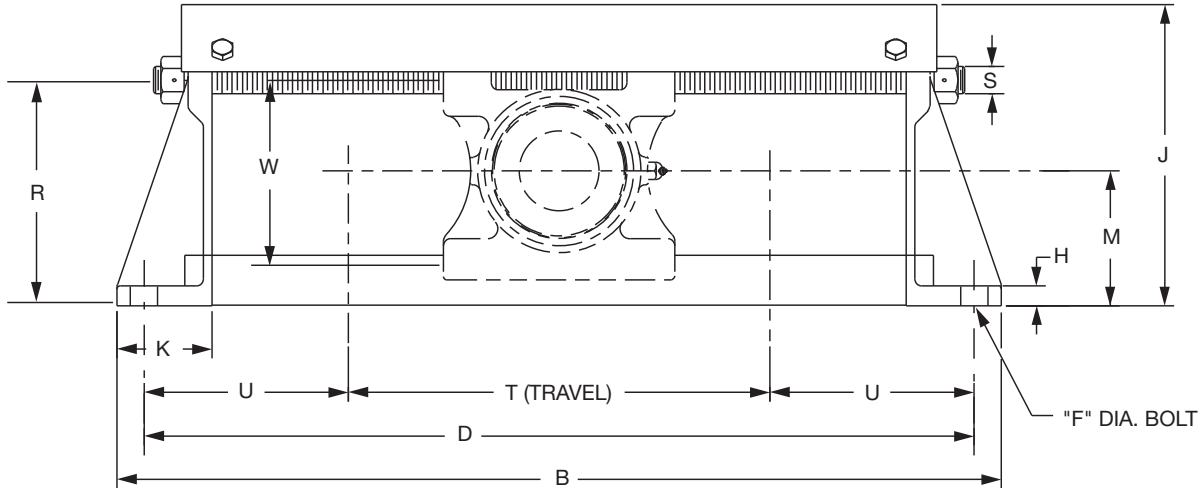
- IMPERIAL - B14-52 to B14-57
- USAF-500 - B15-78 to B15-81
- SAF-XT - B15-64 to B15-74
- SAFS - B15-61 to B15-63
- See B19-15 For Telescoping (TS) Take-Up Frame Travel Options and Part Numbers

FEATURES/BENEFITS PAGE B19-2	HOW TO ORDER/NOMENCLATURE PAGE B19-7	SELECTION/DIMENSIONS PAGE B19-8
---------------------------------	---	------------------------------------



# SELECTION/DIMENSIONS

## Take-Up Frames - TP TOP ANGLE PROTECTED SCREW TAKE-UP FRAMES



Eccentric Collar Ball Bearings

Setcrew WSC Ball Bearing

Eccentric SXV Collar Ball Bearing

Take-Up Frames

Engineering

Part Number Index

Keyword Index

FEATURES/BENEFITS PAGE B19-2	HOW TO ORDER/NOMENCLATURE PAGE B19-7	SELECTION/DIMENSIONS PAGE B19-8
---------------------------------	---	------------------------------------

# SELECTION/DIMENSIONS



## Take-Up Frames - TP TOP ANGLE PROTECTED SCREW TAKE-UP FRAMES

Frame Size	Nominal Travel	Part No.	Wt.	B	C	D	E	F Bolt Dia.	G	H
TP10	12	<b>036350</b>	32	28-1/2		26-1/2				
	18	<b>036351</b>	36	34-1/2	3-1/2	32-1/2	-	5/8	1	3/4
	24	<b>036352</b>	41	40-1/2		38-1/2				
TP20	12	<b>036353</b>	34	29-1/2		27-1/2				
	18	<b>036354</b>	39	35-1/2	3-1/2	33-1/2	-	5/8	1	3/4
	24	<b>036355</b>	43	41-1/2		39-1/2				
TP30	12	<b>036356</b>	47	30-1/2		28-1/2				
	18	<b>036357</b>	54	36-1/2	4	34-1/2	-	3/4	1-5/16	3/4
	24	<b>036358</b>	60	42-1/2		40-1/2				
TP40	12	<b>036359</b>	52	32-1/2		30-1/2				
	18	<b>036360</b>	60	38-1/2	4-1/2	36-1/2	2	5/8	1	3/4
	24	<b>036361</b>	66	44-1/2		42-1/2				
TP50	12	<b>036362</b>	63	34-1/2		32				
	18	<b>036363</b>	70	40-1/2	4-1/2	38	2	3/4	1	3/4
	24	<b>036364</b>	79	46-1/2		44				
TP60	12	<b>036365</b>	84	38-1/2		36				
	18	<b>036366</b>	92	44-1/2	5-1/2	42	2-1/2	3/4	1	3/4
	24	<b>036367</b>	102	50-1/2		48				

Frame Size	Nominal Travel	Part No.	J	K	M	R	S Screw Dia.	T	U	W
TP10	12	<b>036350</b>		3				14-1/2		
	18	<b>036351</b>	8-1/2	3	3-15/16	6-11/32	3/4	20-1/2	6	5-5/32
	24	<b>036352</b>		3				26-1/2		
TP20	12	<b>036353</b>		3				15		
	18	<b>036354</b>	9-1/8	3	4-3/16	6-31/32	3/4	21	6-1/4	5-25/32
	24	<b>036355</b>		3				27		
TP30	12	<b>036356</b>		3-1/2				14-1/2		
	18	<b>036357</b>	10-1/8	3-1/2	4-3/8	7-3/8	1	20-1/2	7	6-3/16
	24	<b>036358</b>		3-1/2				26-1/2		
TP40	12	<b>036359</b>		3-1/2				15-1/2		
	18	<b>036360</b>	11-1/16	3-1/2	4-15/16	8-3/8	1	21-1/2	7-1/2	7-3/16
	24	<b>036361</b>		3-1/2				27-1/2		
TP50	12	<b>036362</b>		4				15		
	18	<b>036363</b>	12-1/2	4	5-7/16	9-13/32	1-1/4	21	8-1/2	8-7/32
	24	<b>036364</b>		4				27		
TP60	12	<b>036365</b>		4-1/2				16-1/2		
	18	<b>036366</b>	14-1/4	4-1/2	7	11-11/32	1-1/4	22-1/2	9-5/8	8-29/32
	24	<b>036367</b>		4-1/2				28-1/2		

FEATURES/BENEFITS PAGE B19-2	HOW TO ORDER/NOMENCLATURE PAGE B19-7	SELECTION/DIMENSIONS PAGE B19-8
---------------------------------	---	------------------------------------



# SELECTION/DIMENSIONS

## Top Angle (TP) Take-Up Frame Bearings

### BALL BEARINGS

**NORMAL DUTY  
SETSCREW - G  
D-LOK - DL  
ECCENTRIC LOCK - GXR  
GRIP TIGHT-GT**

Series	Shaft Size	Frame Size
210	1-15/16 2	TP-10
211	2-3/16 2-1/4	TP-20
212	2-7/16	TP-30
215	2-15/16	TP-40

- Top Angle Take-Up Frames Are Not Supplied With Bearings. First Match The Take-Up Frame With The Bearing Size From This Page. Then Turn To The Page Listed For The Specific Bearing Part Number.
- Grip Tight (GT & GTM) - B5-60 to B5-61
- Setscrew (G, & GM) - B4-80 to B4-81
- Eccentric Lock (GXR) - B7-36
- D-LOK (DL and DLM) - B6-50 to B6-51
- See B19-21 For Top Angle Take-Up Frame Travel Options And Part Numbers.

**MEDIUM DUTY  
SETSCREW - GM  
D-LOK - DLM  
GRIP TIGHT - GTM**

Series	Shaft Size	Frame Size
210	1-11/16 1-3/4	TP-10
211	1-15/16 2	TP-20
212	2-3/16 2-1/4	TP-30
214	2-7/16 2-1/2	TP-40
215	2-11/16	TP-40
216	2-15/16 3	TP-50
218	3-7/16 3-1/2	TP-60

### TAPERED ROLLER BEARINGS

#### TYPE E

Shaft Size	Frame Size
1-3/4	TP-10
1-7/8	
1-15/16 2	
2-3/16	TP-20
2-1/4	TP-30
2-7/16	
2-1/2	
2-11/16	TP-40
2-3/4	
2-15/16 3	
3-3/16	
3-1/4	TP-50
3-7/16	
3-1/2	
3-15/16 4	TP-60

- Top Angle Take-Up Frames Are Not Supplied With Bearings. First Match The Take-Up Frame With The Bearing Size From This Page. Then Turn To The Page Listed For The Specific Bearing Part Number.
- Type E - B10-73
- Type K - B10-48
- See B19-21 For Top Angle Take-Up Frame Travel Options And Part Numbers.

#### TYPE K

Shaft Size	Frame Size
1-3/4	TP-10
1-15/16	
2	
2-3/16	TP-20
2-1/4	TP-30
2-7/16	
2-1/2	
2-11/16	TP-40
2-3/4	
2-15/16 3	
3-3/16	
3-7/16	TP-50
3-1/2	
3-15/16	
3-15/16	TP-60



# SELECTION/DIMENSIONS

## Top Angle (TP) Take-Up Frame Bearings

### SPHERICAL ROLLER BEARINGS

#### S-2000

Shaft Size	Frame Size
1-15/16 2	TP-10
2-3/16	TP-30
2-7/16	TP-40
2-11/16 2-15/16 3	TP-40
3-7/16	TP-50
3-15/16	TP-60

- Top Angle Take-Up Frames Are Not Supplied With Bearings. First Match The Take-Up Frame With The Bearing Size From This Page. Then Turn To The Page Listed For The Specific Bearing Part Number.
- S-2000- B12-10
- See B19-21 For Top Angle Take-Up Frame Travel Options And Part Numbers.

### SLEEVE BEARINGS

#### SOLID LUBE BEARING

##### LT-700

##### LT-1000

Shaft Size	Frame Size
1-15/16 2	TP-10
2-3/16	TP-20
2-7/16 2-1/2	TP-30
2-15/16 3	TP-40

- Top Angle Take-Up Frames Are Not Supplied With Bearings. First Match The Take-Up Frame With The Bearing Size From This Page. Then Turn To The Page Listed For The Specific Bearing Part Number.
- SOLIDLUBE Sleeve Bearing (LT7 & LT10) - B17-10
- Type H Babbitted Bearing - B7-48
- See B19-21 For Top Angle Take-Up Frame Travel Options And Part Numbers.

#### BABBITTED BEARING

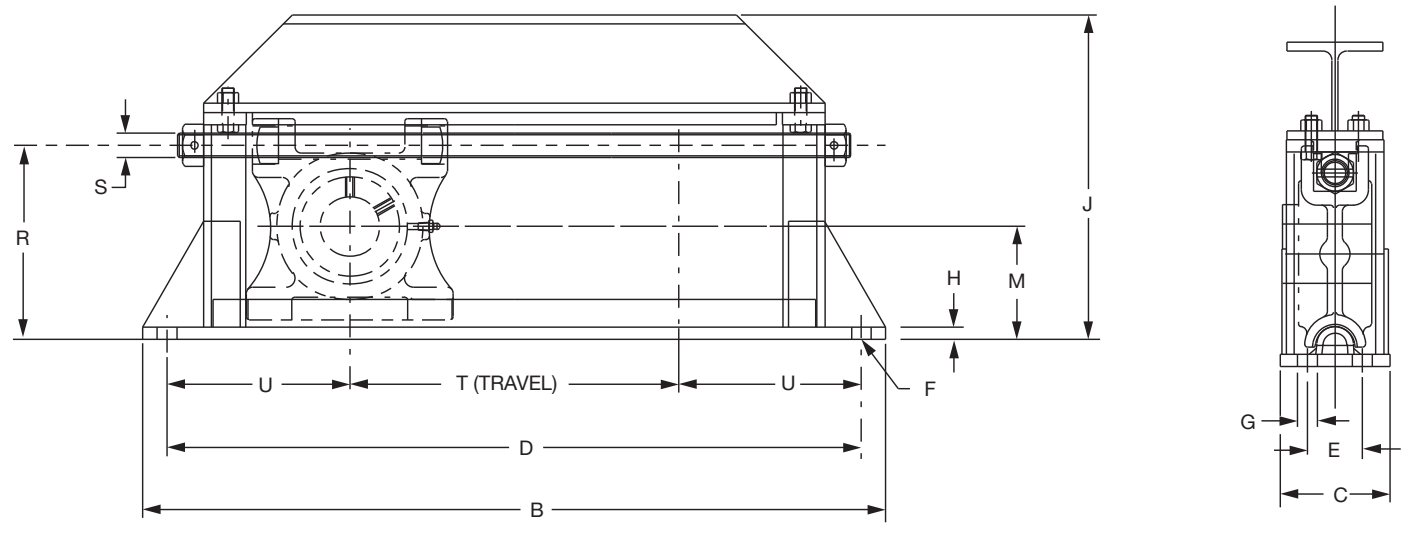
##### TYPE H

Shaft Size	Frame Size
1-15/16	TP-10
2-3/16	TP-10
2-7/16	TP-30
2-15/16	TP-30
3-7/16	TP-50
3-15/16	TP-50

# SELECTION/DIMENSIONS



## Take-Up Frames - TPHU



Shaft Size	Frame Size	Nom. Travel	Part No.	Wt.	B	C	D	E	F Bolt Dia	G
1-7/8	TPHU110	12	<b>013497</b>	58	29-1/2	3-1/2	27-1/2	-	5/8	11/16
1-15/16		18	<b>013498</b>	70	35-1/2		33-1/2			
2		24	<b>013499</b>	82	41-1/2		39-1/2			
2-3/16	TPHU120	12	<b>013900</b>	71	29-1/2	4-1/2	27-1/2	-	5/8	11/16
2-1/4		18	<b>013901</b>	85	35-1/2		33-1/2			
		24	<b>013902</b>	99	41-1/2		39-1/2			
2-3/8	TPHU130	12	<b>013903</b>	73	30-1/2	4-1/2	28-1/2	-	3/4	13/16
2-7/16		18	<b>013904</b>	86	36-1/2		34-1/2			
2-1/2		24	<b>013905</b>	99	42-1/2		40-1/2			
2-11/16	TPHU140	12	<b>013906</b>	80	32-1/2	4-1/2	30-1/2	2	5/8	11/16
2-3/4		18	<b>013907</b>	93	38-1/2		36-1/2			
2-15/16		24	<b>013908</b>	106	44-1/2		42-1/2			
3		30	<b>013909</b>	119	50-1/2		48-1/2			
		36	<b>013910</b>	132	56-1/2		54-1/2			
3-3/16	TPHU150	12	<b>013511</b>	91	34-1/4	4-1/2	32	2	3/4	13/16
3-1/4		18	<b>013512</b>	105	40-1/4		38			
3-7/16		24	<b>013513</b>	119	46-1/4		44			
3-1/2		30	<b>013514</b>	133	52-1/4		50			
		36	<b>013515</b>	147	58-1/4		56			
3-11/16	TPHU160	12	<b>013916</b>	132	38-1/2	5-1/2	36	2-1/2	3/4	13/16
3-15/16		18	<b>013917</b>	150	44-1/2		42			
4		24	<b>013918</b>	168	50-1/2		48			
		30	<b>013519</b>	186	56-1/2		54			
		36	<b>013520</b>	204	62-1/2	60				





# SELECTION/DIMENSIONS

## Take-Up Frames - TPHU

Shaft Size	Frame Size	Nom. Travel	Part No.	H	J	M	R	S Screw Dia.	T Max. Travel	U
1-7/8 1-15/16 2	TPHU110	12	<b>013497</b>	1/2	10-5/8	3-15/16	6-5/16	3/4	13-1/2	7-3/4
		18	<b>013498</b>						19-1/2	
		24	<b>013499</b>						25-1/2	
2-3/16 2-1/4	TPHU120	12	<b>013900</b>	1/2	11-1/4	4-7/16	7-7/16	1	13-1/2	7
		18	<b>013901</b>						19-1/2	
		24	<b>013902</b>						25-1/2	
2-3/8 2-7/16 2-1/2	TPHU130	12	<b>013903</b>	1/2	11-3/4	4-5/8	7-61/64	1	13-1/2	7-1/2
		18	<b>013904</b>						19-1/2	
		24	<b>013905</b>						25-1/2	
2-11/16 2-3/4 2-15/16 3	TPHU140	12	<b>013906</b>	3/4	12-5/16	5-1/8	8-1/2	1	15-1/2	7-1/2
		18	<b>013907</b>						21-1/2	
		24	<b>013908</b>						27-1/2	
		30	<b>013909</b>						33-1/2	
	36	<b>013910</b>	39-1/2							
3-3/16 3-1/4 3-7/16 3-1/2	TPHU150	12	<b>013511</b>	3/4	13-27/32	5-5/8	9-23/32	1-1/4	15-1/2	8-1/4
		18	<b>013512</b>						21-1/2	
		24	<b>013513</b>						27-1/2	
		30	<b>013514</b>						33-1/2	
	36	<b>013515</b>	39-1/2							
3-11/16 3-15/16 4	TPHU160	12	<b>013916</b>	1	17	7	11-5/8	1-1/4	16-1/2	9-3/4
		18	<b>013917</b>						22-1/2	
		24	<b>013918</b>						28-1/2	
		30	<b>013519</b>						34-1/2	
	36	<b>013520</b>	40-1/2							

## SPHERICAL ROLLER BEARINGS

### S-2000

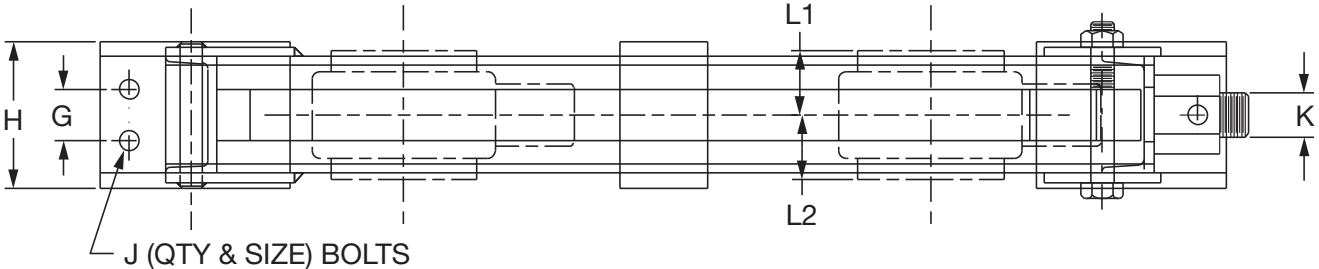
Shaft Size	Frame Size
1-15/16 2	TPHU-110
2-3/16 2-7/16	TPHU-120 TPHU-130
2-11/16 2-15/16 3	TPHU-140
3-7/16 3-15/16	TPHU-150 TPHU-160

- TPHU Take-Up Frames Are Not Supplied With Bearings. First Match The Take-Up Frame With The Bearing Size From This Page. Then Turn To The Page Listed For The Specific Bearing Part Number.
- S-2000- B12-9
- See B19-24 and B19-25 For TPHU Take-Up Frame Travel Options And Part Numbers.

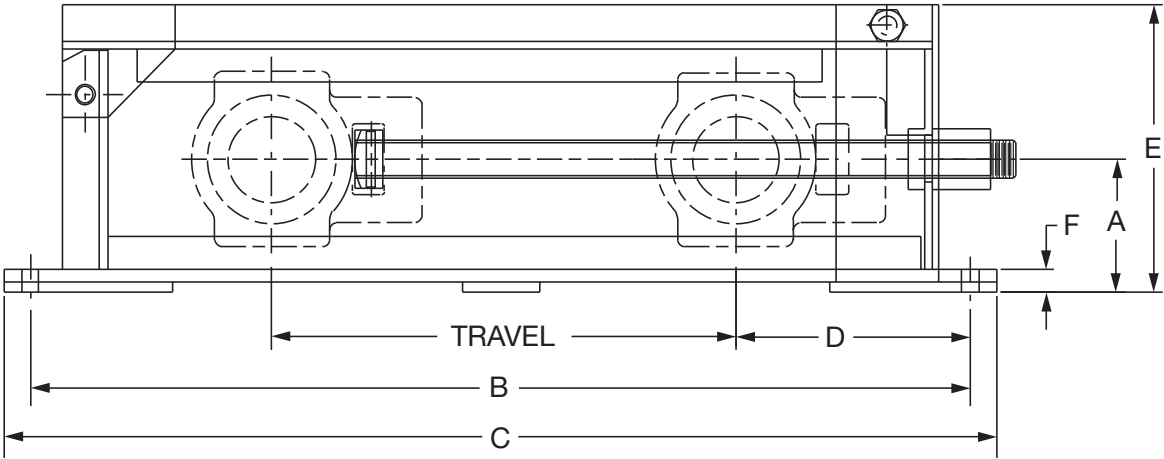


# SELECTION/DIMENSIONS

## Take-Up Frames - CP CENTER PULL (CP)



U.S. Patent No. 4,676,670



FEATURES/BENEFITS PAGE B19-2	HOW TO ORDER/NOMENCLATURE PAGE B19-7	SELECTION/DIMENSIONS PAGE B19-8
---------------------------------	---	------------------------------------

# SELECTION/DIMENSIONS



## Take-Up Frames - CP CENTER PULL (CP)

Frame Size	Travel	Frame Part Number	Frame Weight	Travel		A	B	C	D		E	F	G	H	J		K	L1 & L2
				Maximum					S2000 Imperial	Type K & E					Qty.	Size Dia.		
				S2 & IP	Type E & K													
CP308	12	019200	30	15-15/32	15-15/32	3-7/16	26	28	6	6	7	11/16	..	3	2	1/2	3/4-10NC	
CP308	18	019201	34	21-15/32	21-15/32		32	64										
CP308	24	019202	38	27-15/32	27-15/32		38	40										
CP308	30	019203	42	33-15/32	33-15/32		44	46										
CP308	36	019204	46	39-15/32	39-15/32		50	52										
CP400	12	019210	55	14-27/32	14-23/32	3-15/16	27-1/2	29-1/2	7-1/4	7-1/4	8-5/8	13/16	..	4	2	5/8	1-8NC	
CP400	18	019211	65	20-27/32	20-23/32		33-1/2	35-1/2										
CP400	24	019212	75	26-27/32	26-23/32		39-1/2	41-1/2										
CP400	30	019213	85	32-27/32	32-23/32		45-1/2	47-1/2										
CP400	36	019214	95	38-27/32	38-23/32		51-1/2	53-1/2										
CP408	12	019220	61	14-5/32	14-3/32	4-7/16	27-1/2	29-1/2	7-3/4	7-3/4	9-1/4	11/16	..	4	2	5/8	1-1/8-7NC	
CP408	18	019221	71	20-5/32	20-3/32		33-1/2	35-1/2										
CP408	24	019222	81	26-5/32	26-3/32		39-1/2	41-1/2										
CP408	30	019223	85	32-5/32	32-3/32		45-1/2	47-1/2										
CP408	36	019224	95	38-5/32	38-3/32		51-1/2	53-1/2										
CP502	12	019230	65	14-13/32	12-31/32	4-3/8	28-1/2	30-1/2	8-1/4	9-9/16	9-1/2	13/16	..	4	2	3/4	1-1/4-7NC	
CP502	18	019231	75	20-13/32	18-31/32		34-1/2	36-1/2										
CP502	24	019232	85	26-13/32	24-31/32		40-1/2	42-1/2										
CP502	30	019233	95	32-13/32	30-31/32		46-1/2	48-1/2										
CP502	36	019234	105	38-13/32	36-31/32		52-1/2	54-1/2										
CP515	12	019240	105	14-23/32	14-15/32	5-1/8	30-1/2	32-1/2	9-1/4	9-3/8	11-5/32	7/8	2	5	4	5/8	1-1/2-6NC	
CP515	18	019241	120	20-23/32	20-15/32		36-1/2	38-1/2										
CP515	24	019242	135	26-23/32	26-15/32		42-1/2	44-1/2										
CP515	30	019243	150	32-23/32	32-15/32		48-1/2	50-1/2										
CP515	36	019244	165	38-23/32	38-15/32		54-1/2	56-1/2										
CP613	12	019250	115	15-1/32	-	5-5/8	32	34-1/4	9-7/8	-	12-1/16	15/16	2	5	4	3/4	1-3/4-5NC	
CP613	18	019251	135	21-1/32	-		38	40-1/4										
CP613	24	019252	155	27-1/32	-		44	46-1/4										
CP613	30	019253	175	33-1/32	-		50	52-1/4										
CP613	36	019254	195	39-1/32	-		56	58-1/4										
CP810	12	019260	185	16-9/32	-	7	36	38-1/2	12	-	14-3/4	1-3/16	2-1/2	6	4	3/4	2-4-1/2-NC	
CP810	18	019261	210	22-9/32	-		42	44-1/2										
CP810	24	019262	235	28-9/32	-		48	50-1/2										
CP810	30	019263	260	34-9/32	-		54	56-1/2										
CP810	36	019264	285	40-9/32	-		60	62-1/2										
CP908	12	019270	280	17-31/32	-	7-1/2	40-3/4	45-3/4	13-1/2	-	16-1/16	1-1/4	5	10	4	1-1/8	2-4-1/2-NC	
CP908	18	019271	310	23-31/32	-		46-3/4	51-3/4										
CP908	24	019272	340	29-31/32	-		52-3/4	57-3/4										
CP908	30	019273	370	35-31/32	-		58-3/4	63-3/4										
CP908	36	019274	400	41-31/32	-		64-3/4	69-3/4										
CP1004	12	019280	370	18-29/32	-	8-1/8	44-1/2	49-1/2	15-3/8	-	17-5/16	1-1/2	5-1/2	10	4	1-1/8	2-1/4-4-1/2-NC	
CP1004	18	019281	400	24-29/32	-		50-1/2	55-1/2										
CP1004	24	019282	430	30-29/32	-		56-1/2	61-1/2										
CP1004	30	019283	460	36-29/32	-		62-1/2	67-1/2										
CP1004	36	019284	490	42-29/32	-		68-1/2	73-1/2										

See Page B19-23

FEATURES/BENEFITS PAGE B19-2	HOW TO ORDER/NOMENCLATURE PAGE B19-7	SELECTION/DIMENSIONS PAGE B19-8
---------------------------------	---	------------------------------------

Concentric Collar Ball Bearing

Set screw VSC Ball Bearing

Concentric SXV Collar Ball Bearing

Take-Up Frames

Engineering

Part Number Index

Keyword Index

# SELECTION/DIMENSIONS



## Take-Up Frames - CP CENTER PULL (CP)

Frame Size	Travel	Frame Part Number	Frame Weight	Travel		Imperial		S2000		Type K		Type E	
				Maximum		L1	L2	L1	L2	L1	L2	L1	L2
				S2 & IP	Type E & K								
CP308	12	019200	30	15-15/32	15-15/32								
CP308	18	019201	34	21-15/32	21-15/32								
CP308	24	019202	38	27-15/32	27-15/32	57/64	1-47/64	53/64	1-45/64	1-1/32	1-1/2	1-1/2	1-1/2
CP308	30	019203	42	33-15/32	33-15/32								
CP308	36	019204	46	39-15/32	39-15/32								
CP400	12	019210	55	14-27/32	14-23/32								
CP400	18	019211	65	20-27/32	20-23/32								
CP400	24	019212	75	26-27/32	26-23/32	53/64	1-63/64	55/64	1-13/16	1-7/32	1-3/4	1-3/4	1-3/4
CP400	30	019213	85	32-27/32	32-23/32								
CP400	36	019214	95	38-27/32	38-23/32								
CP408	12	019220	61	14-5/32	14-3/32								
CP408	18	019221	71	20-5/32	20-3/32								
CP408	24	019222	81	26-5/32	26-3/32	59/64	2-7/64	29/32	1-63/64	1-9/32	1-7/8	1-7/8	1-7/8
CP408	30	019223	85	32-5/32	32-3/32								
CP408	36	019224	95	38-5/32	38-3/32								
CP502	12	019230	65	14-13/32	12-31/32								
CP502	18	019231	75	20-13/32	18-31/32								
CP502	24	019232	85	26-13/32	24-31/32	1-13/64	2-7/32	1-13/64	2	1-5/8	2	2	2
CP502	30	019233	95	32-13/32	30-31/32								
CP502	36	019234	105	38-13/32	36-31/32								
CP515	12	019240	105	14-23/32	14-15/32								
CP515	18	019241	120	20-23/32	20-15/32								
CP515	24	019242	135	26-23/32	26-15/32	1-7/32	2-9/32	1-3/16	2-13/32	1-5/8	2-1/4	2-1/4	2-1/4
CP515	30	019243	150	32-23/32	32-15/32								
CP515	36	019244	165	38-23/32	38-15/32								
CP613	12	019250	115	15-1/32	-								
CP613	18	019251	135	21-1/32	-								
CP613	24	019252	155	27-1/32	-	1-15/32	2-11/16	1-31/64	2-33/64	-	-	-	-
CP613	30	019253	175	33-1/32	-								
CP613	36	019254	195	39-1/32	-								
CP810	12	019260	185	16-9/32	-								
CP810	18	019261	210	22-9/32	-								
CP810	24	019262	235	28-9/32	-	1-21/32	3-3/64	1-39/64	2-55/64	-	-	-	-
CP810	30	019263	260	34-9/32	-								
CP810	36	019264	285	40-9/32	-								
CP908	12	019270	280	17-31/32	-								
CP908	18	019271	310	23-31/32	-								
CP908	24	019272	340	29-31/32	-			3-1/16	3-15/32	-	-	-	-
CP908	30	019273	370	35-31/32	-								
CP908	36	019274	400	41-31/32	-								
CP1004	12	019280	370	18-29/32	-								
CP1004	18	019281	400	24-29/32	-								
CP1004	24	019282	430	30-29/32	-			3-17/64	3-41/64	-	-	-	-
CP1004	30	019283	460	36-29/32	-								
CP1004	36	019284	490	42-29/32	-								

FEATURES/BENEFITS PAGE B19-2	HOW TO ORDER/NOMENCLATURE PAGE B19-7	SELECTION/DIMENSIONS PAGE B19-8
---------------------------------	---	------------------------------------



# SELECTION/DIMENSIONS

## Center Pull Take-Up Frame Bearings

### TAPERED ROLLER BEARINGS

#### Type E

Shaft Size	Frame Size
1-3/8 1-7/16	CP-308
1-1/2 1-5/8 1-11/16	CP-400
1-3/4 1-7/8 1-15/16 2	CP-400
2-3/16	CP-408
2-1/4 2-7/16 2-1/2	CP-502
2-11/16 2-3/4 2-15/16 3	CP-515

- Center Pull Take-Up Frames Are Not Supplied With Bearings. First Match The Take-Up Frame With The Bearing Size From This Page. Then Turn To The Page Listed For The Specific Bearing Part Number
- Type E - B10-30
- Type K - B10-46
- See B19-27 and B19-28 For Center Pull Take-Up Frame Travel Options And Part Numbers

#### Type K

Shaft Size	Frame Size
1-7/16	CP-308
1-15/16	CP-400
2-3/16	CP-408
2-7/16 2-1/2	CP-502
2-15/16 3	CP-515

### SPHERICAL ROLLER BEARINGS

#### S-2000

Shaft Size	Frame Size
1-3/8 1-7/16 1-1/2	CP-308
1-11/16 1-3/4	CP-400
1-15/16 2	CP-400
2-3/16	CP-408
2-7/16	CP-502
2-11/16 2-15/16 3	CP-515
3-7/16	CP-613
3-15/16	CP-810
4-7/16	CP-908
4-15/16	CP-1004

- Center Pull Take-Up Frames Are Not Supplied With Bearings. First Match The Take-Up Frame With The Bearing Size From This Page. Then Turn To The Page Listed For The Specific Bearing Part Number
- S-2000 - B12-36 to B12-39
- IMPERIAL - B14-18 to B14-22
- See B19-27 and B19-28 For Center Pull Take-Up Frame Travel Options And Part Numbers

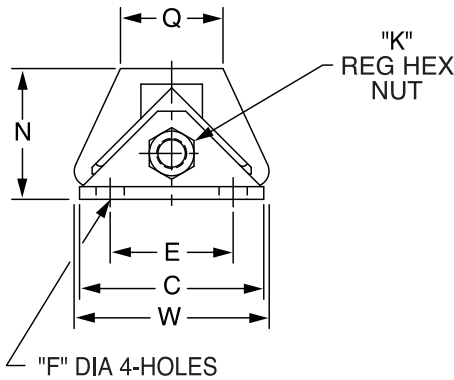
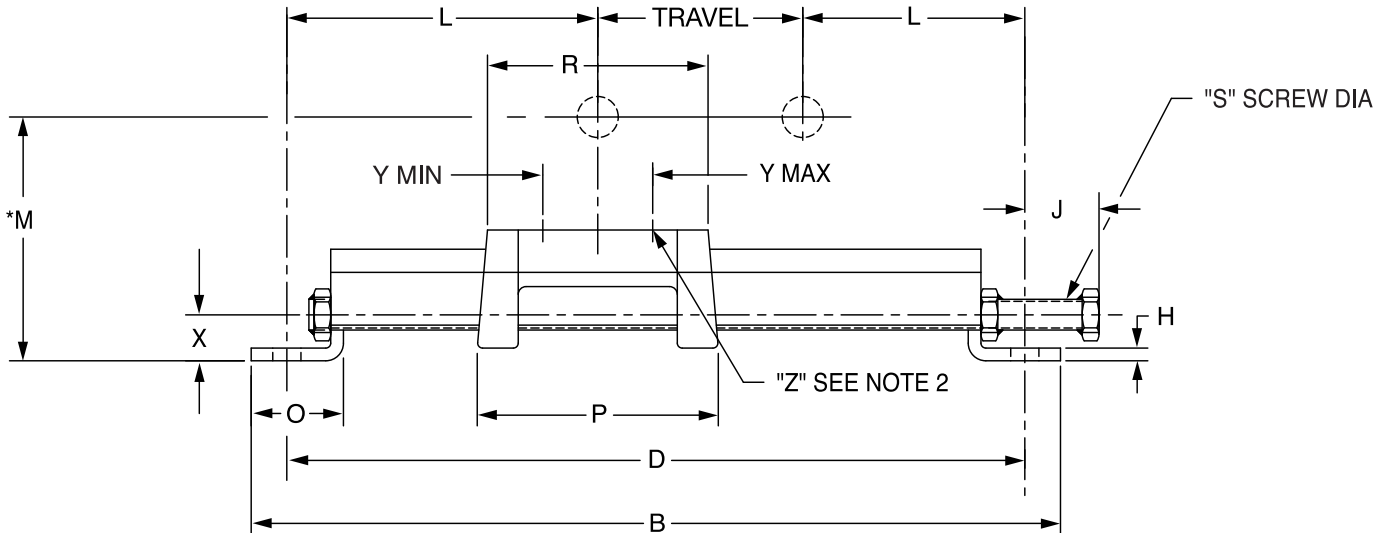
#### IMPERIAL - IP

Shaft Size	Frame Size
1-1/8 1-3/16	CP308
1-1/4	
1-3/8	
1-7/16 1-1/2	CP-400
1-5/8	
1-11/16	
1-3/4 1-7/8	CP-400
1-15/16	
2	
2-3/16 2-1/4	CP-408
2-3/8 2-7/16 2-1/2	CP-502
2-11/16 2-3/4 2-15/16 3	CP-515
3-3/16 3-1/4 3-7/16 3-1/2	CP-613
3-11/16 3-15/16 4	CP-810



# SELECTION/DIMENSIONS

## Take-Up Frames - LD LD PROTECTED SCREW TAKE-UP FRAMES



<p>FEATURES/BENEFITS PAGE B19-2</p>	<p>HOW TO ORDER/NOMENCLATURE PAGE B19-7</p>	<p>SELECTION/DIMENSIONS PAGE B19-8</p>
---	---	--

# SELECTION/DIMENSIONS



## Take-Up Frames - LD LD PROTECTED SCREW TAKE-UP FRAMES

Frame Size x Travel	Part No.	Wt.	B	C	D	E	F Bolt Dia.	H	J	K	L	N	O
LD-10x6	<b>039005</b>	10	19-1/2	3-3/4	18	2-1/2	3/8	1/4	9/16	9/16	6	2-3/4	2-1/8
LD-10x9	<b>039006</b>	11	22		20-1/2						5-3/4		
LD-10x12	<b>038910</b>	13	25		23-1/2						5-3/4		
LD-10x18	<b>038911</b>	14	31		29-1/2						5-3/4		
LD-10x30	<b>038912</b>	16	43		41-1/2						5-3/4		
LD-10x36	<b>038913</b>	18	49		47-1/2						5-3/4		
LD-10x42	<b>038914</b>	20	55		53-1/2						5-3/4		
LD-10x48	<b>038915</b>	22	61		59-1/2						5-3/4		
LD-20x6	<b>039007</b>	12	19-1/2	3-3/4	18	2-1/2	1/2	1/4	1-3/4	9/16	6	2-19/32	2-1/8
LD-20x9	<b>039008</b>	13	22		20-1/2						5-3/4		
LD-20x12	<b>039009</b>	14	25		23-1/2						5-3/4		
LD-20x18	<b>039010</b>	17	33-1/2		32						7		
LD-20x24	<b>039003</b>	18	39-1/2		38						7		
LD-20x30	<b>039002</b>	20	45-1/2		44						7		
LD-20x36	<b>039043</b>	22	51-1/2		50						7		
LD-20x42	<b>038916</b>	24	57-1/2		56						7		
LD-20x48	<b>039044</b>	26	63-1/2	62	7								
LD-30x12	<b>039011</b>	18	28-1/4	3-3/4	26-3/4	2-1/2	1/2	1/4	1-3/4	9/16	7-3/8	2-11/16	2-1/8
LD-30x18	<b>039012</b>	21	34-1/4		32-3/4						7-3/8		
LD-30x24	<b>039084</b>	24	40-1/4		38-3/4						7-3/8		
LD-30x30	<b>038917</b>	27	46-1/4		44-3/4						7-3/8		
LD-30x36	<b>038918</b>	30	52-1/4		50-3/4						7-3/8		
LD-30x42	<b>038919</b>	33	58-1/4		56-3/4						7-3/8		
LD-30x48	<b>038920</b>	35	64-1/4	62-3/4	7-3/8								
LD-40x12	<b>039013</b>	25	28-1/4	4-3/4	26-1/2	3	5/8	5/16	1-3/4	9/16	7-1/4	3-3/16	2-1/4
LD-40x18	<b>039014</b>	28	34-1/4		32-1/2						7-1/4		
LD-40x24	<b>039073</b>	31	40-1/4		38-1/2						7-1/4		
LD-40x30	<b>038921</b>	34	46-1/4		44-1/2						7-1/4		
LD-40x36	<b>038922</b>	37	52-1/4		50-1/2						7-1/4		
LD-40x42	<b>038923</b>	40	58-1/4		56-1/2						7-1/4		
LD-40x48	<b>038924</b>	43	64-1/4	62-1/2	7-1/4								
LD-45x12	<b>039018</b>	50	33	5	31-1/4	3	3/4	5/16	1-9/16	11/16	9-3/4	4-1/8	2-1/2
LD-45x18	<b>039019</b>	55	39-1/4		37-1/2						9-3/4		
LD-45x24	<b>039097</b>	58	45-1/4		43-1/2						9-3/4		
LD-45x30	<b>038925</b>	65	51-1/4		49-1/2						9-3/4		
LD-45x36	<b>038926</b>	70	57-1/4		55-1/2						9-3/4		
LD-45x42	<b>038927</b>	75	63-1/4		61-1/2						9-3/4		
LD-45x48	<b>038928</b>	80	69-1/4	67-1/2	9-3/4								
LD-50x6	<b>039004</b>	49	27	5	25-1/4	3	3/4	5/16	1-9/16	11/16	9-5/8	4-1/8	2-1/2
LD-50x12	<b>039015</b>	54	33		31-1/4						9-3/4		
LD-50x18	<b>039016</b>	60	39-1/4		37-1/2						9-3/4		
LD-50x24	<b>039017</b>	65	45-1/4		43-1/2						9-3/4		
LD-50x30	<b>038929</b>	71	51-1/4		49-1/2						9-3/4		
LD-50x36	<b>038930</b>	77	57-1/4		55-1/2						9-3/4		
LD-50x42	<b>038931</b>	83	63-1/4		61-1/2						9-3/4		
LD-50x48	<b>038932</b>	90	69-1/4		67-1/2						9-3/4		

Eccentric Collar Ball Bearing

Setscrew VSC Ball Bearing

Eccentric SXV Collar Ball Bearing

Take-Up Frames

Engineering

Part Number Index

Keyword Index



# SELECTION/DIMENSIONS

## Take-Up Frames - LD LD PROTECTED SCREW TAKE-UP FRAMES

Frame Size x Travel	Part No.	Wt.	P	Q	R	S Screw Dia.	W	X	Y Bolt Centers		Z Bolt Dia.	Angle
									Max.	Min.		
LD-10x6	039005	10	5-7/8	1-1/2	5-3/8	3/4	3-1/4	15/16	4-3/8	2-7/8	3/8 x 1-1/2	2 x 2 x 1/4
LD-10x9	039006	11										
LD-10x12	038910	13										
LD-10x18	038911	14										
LD-10x30	038912	16										
LD-10x36	038913	18										
LD-10x42	038914	20										
LD-10x48	038915	22										
LD-20x6	039007	12	7-3/4	2-1/8	7-1/4	3/4	3-3/4	15/16	6-1/4	4-7/16	1/2 x 2-1/2	2 x 2 x 1/4
LD-20x9	039008	13										
LD-20x12	039009	14										
LD-20x18	039010	17										
LD-20x24	039003	18										
LD-20x30	039002	20										
LD-20x36	039043	22										
LD-20x42	038916	24										
LD-20x48	039044	26										
LD-30x12	039011	18	8-1/2	2-1/4	8	3/4	3-3/4	15/16	7	5-3/4	5/8 x 2-1/2	2 x 2 x 5/16
LD-30x18	039012	21										
LD-30x24	039084	24										
LD-30x30	038917	27										
LD-30x36	038918	30										
LD-30x42	038919	33										
LD-30x48	038920	35										
LD-40x12	039013	25	9-3/4	2-1/2	9-1/4	3/4	4-3/4	1-1/16	7-7/8	6-3/8	5/8 x 3	2-1/2 x 2-1/2 x 5/16
LD-40x18	039014	28										
LD-40x24	039073	31										
LD-40x30	038921	34										
LD-40x36	038922	37										
LD-40x42	038923	40										
LD-40x48	038924	43										
LD-45x12	039018	50	13-1/2	3-1/2	13	1	5-7/8	1-1/4	11-1/4	7-1/4	3/4 x 3-1/2	3 x 3 x 1/2
LD-45x18	039019	55										
LD-45x24	039097	58										
LD-45x30	038925	65										
LD-45x36	038926	70										
LD-45x42	038927	75										
LD-45x48	038928	80										
LD-50x6	039004	49	13-1/2	3-1/2	13	1	5-7/8	1-1/4	11-1/8	7-5/8	7/8 x 4	3 x 3 x 1/2
LD-50x12	039015	54										
LD-50x18	039016	60										
LD-50x24	039017	65										
LD-50x30	038929	71										
LD-50x36	038930	77										
LD-50x48	038932	90										

Eccentric Collar Ball Bearings

Setscrew WSC Ball Bearing

Eccentric SXV Collar Ball Bearing

Take-Up Frames

Engineering

Part Number Index

Keyword Index

FEATURES/BENEFITS PAGE B19-2	HOW TO ORDER/NOMENCLATURE PAGE B19-7	SELECTION/DIMENSIONS PAGE B19-8
---------------------------------	---	------------------------------------





# SELECTION/DIMENSIONS

## Light Duty Take-Up Frame Bearings

### BALL BEARINGS

#### NORMAL DUTY

SETSCREW - SC, SCU, SCB, VSC, VSCB

D-LOK - DL, DLB

ECCENTRIC LOCK - SXR, SXRU, SXR, SXV, SXVU, SXVB

GRIP TIGHT - GT

Series	Shaft Size	Frame Size
203	1/2 5/8	LD-10
204	1/2 5/8 3/4 20mm	LD-10
205	7/8 15/16 25mm	LD-10
206	1-1/16 1-1/8 1-3/16 1-1/4 30mm	LD-20
207	1-1/4 1-5/16 1-3/8 1-7/16 35mm	LD-20
208	1-1/2 1-5/8 40mm	LD-20
209	1-5/8 1-11/16 1-3/4 45mm	LD-20
210	1-15/16 2 50mm	LD-30
211	2 2-3/16 2-1/4 55mm	LD-40
212	2-1/4 2-7/16 60mm	LD-40
214	2-1/2 2-11/16 70mm	LD-45
215	2-15/16 75mm	LD-50

- Light Duty Take-Up Frames Are Not Supplied With Bearings. First Match The Take-Up Frame With The Bearing Size From This Page. Then Turn To The Page Listed For The Specific Bearing Part Number.
- EZ-KLEEN Polymer Housing - B1-14 to B1-29
- Grip Tight (GT & GTM)- B2-8 to B2-19
- Setscrew (SC, SCM & VSC) - B12-12 to B12-15
- Eccentric Lock (SXR & SXV) - B7-12 to B7-15
- D-LOK (DL & DLM) - B6-10 to B10-22
- See B19-32 For Light Duty Take-Up Frame Travel Options And Part Numbers.

#### MEDIUM DUTY

SETSCREW - SCM, SCH

D-LOK - DLM, DLH

GRIP TIGHT - GTM

Series	Shaft Size	Frame Size
206	1 25mm	LD-20
207	1-3/16 1-1/4 30mm	LD-20
208	1-7/16 35mm	LD-20
209	1-1/2 40mm	LD-20
210	1-11/16 1-3/4 45mm	LD-30
211	1-15/16 2 50mm	LD-40
212	2-3/16 2-1/4 55mm	LD-40
214	2-7/16 2-1/2 65mm	LD-45
215	2-11/16 70mm	LD-50
216	2-15/16 3 75mm	LD-50
218	3-7/16 3-1/2 85mm	LD-50

FEATURES/BENEFITS PAGE B19-2	HOW TO ORDER/NOMENCLATURE PAGE B19-7	SELECTION/DIMENSIONS PAGE B19-8
---------------------------------	---	------------------------------------



# SELECTION/DIMENSIONS

## Light Duty Take-Up Frame Bearings

### SPHERICAL ROLLER BEARINGS

#### IMPERIAL - IP

Shaft Size	Frame Size
1-1/8	LD-20
1-3/16	
1-1/4	
1-3/8	
1-7/16	
1-1/2	
1-5/8	LD-20
1	
11/16	
1-3/4	
1-7/8	LD-30
1	
15/16	
2	
2-3/16	LD-40
2-1/4	
2-3/8	LD-40
2-7/16	
2-1/2	
2-11/16	
2-3/4	LD-45
2-15/16	
3	
3-3/16	LD-50
3-1/4	
3-7/16	
3-1/2	

#### S-2000

Shaft Size	Frame Size
1-3/8	LD-20
1-7/16	
1-1/2	
1-11/16	LD-20
1-3/4	
1-15/16	LD-30
2	
2-3/16	LD-40
2-7/16	
2-11/16	LD-45
2-15/16	
3	
3-7/16	LD-50

#### UNISPHERE II

Shaft Size	Frame Size
1-7/16	LD-20
1-1/2	
1-11/16	
1-3/4	LD-30
1-15/16	
2	LD-40
2-3/16	
2-7/16	LD-45
2-1/2	
2-11/16	
2-3/4	
2-15/16	LD-50
3	
3-7/16	
3-1/2	LD-50

- Light Duty Take-Up Frames Are Not Supplied With Bearings. First Match The Take-Up Frame With The Bearing Size From This Page. Then Turn To The Page Listed For The Specific Bearing Part Number
- S-2000 - B12-14 to B12-17
- Unisphere II - B13-12 to B13-13
- IMPERIAL - B114-30 to B14-31
- See B19-32 For Light Duty Take-Up Frame Travel Options And Part Numbers.

Frame Size	Max Recommended Housing Cap Load (90° Load Angle)
LD-10	2100
LD-20	3900
LD-30	6200
LD-40	6200
LD-45	9100
LD-50	12500

\* Consult the Application Engineering Department for loads greater than listed. In all cases, when loads are heavy, the L10 life of the bearing should be checked for proper selection and life requirements.

\* LD Frames are drilled for two bolt pillow blocks

Eccentric Collar Ball Bearings  
 Setcrew WSC Ball Bearing  
 Eccentric SXV Collar Ball Bearing  
 Take-Up Frames  
 Engineering  
 Part Number Index  
 Keyword Index



# SELECTION/DIMENSIONS

## Light Duty Take-Up Frame Bearings

### SLEEVE BEARING

LT-700

LT-1000

Series	Shaft Size	Frame Size
204	3/4	LD-10
205	7/8	LD-10
	15/16	
	1 25mm	
206	1-1/8	LD-20
	1-3/16	
	30mm	
207	1-1/4	LD-20
	1-3/8	
	1-7/16	
	35mm	
209	1-11/16	LD-20
	1-3/4	
	45mm	
210	1-15/16	LD-30
	2 50mm	
211	2-3/16	LD-40
	55mm	
212	2-7/16	LD-40
	2-1/2 55mm	
215	2-15/16	LD-50
	3	

- Light Duty Take-Up Frames Are Not Supplied With Bearings. First Match The Take-Up Frame With The Bearing Size From This Page. Then Turn To The Page Listed For The Specific Bearing Part Number
- LT-700 - B17-10 to B17-13
- LT-1000 - B17-10 to B17-13
- Babbitt Sleeve - B17-38 to B17-39
- See B19-32 For Light Duty Take-Up Frame Travel Options And Part Numbers

### Babbitted Solid Journal Bearing

Shaft Size	Frame Size
1/2 to 1-1/4	LD-10
1-11/16 1-3/4	LD-20
2-15/16	LD-45

Eccentric Collar Ball Bearing

Setscrew VSC Ball Bearing

Eccentric SXV Collar Ball Bearing

Take-Up Frames

Engineering

Part Number Index

Keyword Index

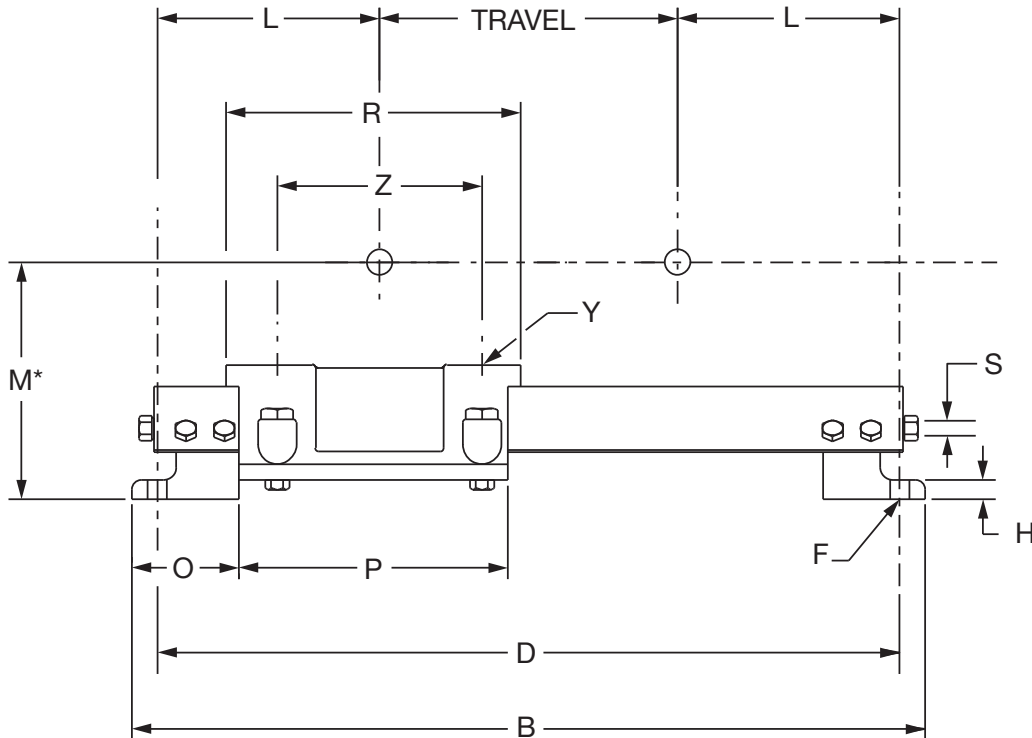
FEATURES/BENEFITS PAGE B19-2	HOW TO ORDER/NOMENCLATURE PAGE B19-7	SELECTION/DIMENSIONS PAGE B19-8
---------------------------------	---	------------------------------------

# SELECTION/DIMENSIONS



## Take-Up Frames - HD

### HD PROTECTED SCREW TAKE-UP FRAMES

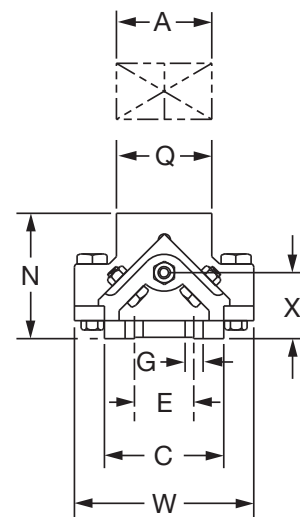


\*M = N + Pillow Block Base to Center Dimension

#### The HD Protected Screw Take-Up Frames

HD 200 through HD 350 Take-Up frames will accommodate pillow blocks on saddles which are slotted for two-bolt Pillow Blocks and may be ordered by part numbers. When using four-bolt Pillow Blocks; or on HD frames 400 and larger, please supply:

1. Bore size of pillow block
2. Type of block (Type E, Double Interlock, USAF, etc.)
3. Whether pillow block is two-or four-bolt style
4. Frame Travel





# SELECTION/DIMENSIONS

## Take-Up Frames - HD HD PROTECTED SCREW TAKE-UP FRAMES

Frame Size	Travel	Part No. **	Frame Wt.	B	C	D
HD-200*	12	089020	79	31	5	29
	18	089021	82	37	5	35
	24	089022	90	43	5	41
	30	089023	95	47	5	47
	36	089024	100	55	5	53
	48	089150	110	67	5	65
HD-250*	12	089151	115	35-1/4	6	32-3/4
	18	089025	125	41-1/4	6	38-3/4
	24	089026	135	47-1/4	6	44-3/4
	30	089027	137	53-1/4	6	50-3/4
	36	089028	143	59-1/4	6	56-3/4
	48	089152	153	71-1/4	6	68-3/4
HD-300*	60	089600	163	83-1/4	6	80-3/4
	12	089153	175	38-1/4	6-1/2	35-1/2
	18	089029	184	44-1/4	6-1/2	41-1/2
	24	089030	194	50-1/4	6-1/2	47-1/2
	30	089031	206	56-1/4	6-1/2	53-1/2
	36	089032	214	62-1/4	6-1/2	59-1/2
HD-350*	48	089033	240	74-1/4	6-1/2	71-1/2
	60	089601	266	86-1/4	6-1/2	83-1/2
	12	089154	195	40	6-1/2	37-1/4
	18	089034	204	46	6-1/2	43-1/4
	24	089035	212	52	6-1/2	49-1/4
	30	089036	220	58	6-1/2	55-1/4
HD-400**	36	089037	234	64	6-1/2	61-1/4
	48	089038	250	76	6-1/2	73-1/4
	60	089602	276	88	6-1/2	85-1/4
	12	089155	340	44	6-1/2	41-1/4
	18	089039	350	50	6-1/2	47-1/4
	24	089040	360	56	6-1/2	53-1/4
HD-500**	30	089041	370	62	6-1/2	59-1/4
	36	089042	380	68	6-1/2	65-1/4
	48	089043	400	80	6-1/2	77-1/4
	60	089603	420	92	6-1/2	89-1/4
	12	089156	420	49-1/2	7	47
	18	089044	440	55-1/2	7	53
HD-500**	24	089045	460	61-1/2	7	59
	30	089046	480	67-1/2	7	65
	36	089047	500	73-1/2	7	71
	48	089048	530	85-1/2	7	83
	60	089604	560	97-1/2	7	95

Frame Size	E	F Bolt Dia.	G Dia.	H	L	N	O	P	Saddle *Dimensions		S Scr. Dia.	W	X	Y Bolt Dia.	Z	
									Q	R					Max.	Min.
									HD-200	2-1/2					5/8	3/4
HD-250	3	5/8	3/4	3/4	10-3/8	6-1/4	5	13-1/4	4-1/2	13	1	8-1/4	3-1/4	3/4	10-7/8	7-5/8
HD-300	3	3/4	7/8	7/8	11-3/4	7	6	14-1/4	5	14	1-1/4	10	3-1/2	3/4	11-5/8	9-1/4
HD-350	3	3/4	7/8	7/8	12-5/8	7	6	16	6	17	1-1/4	10	3-1/2	7/8	13-11/16	10-3/4
HD-400	3	3/4	7/8	7/8	14-5/8	7	6	20	7-1/4	20	1-1/4	10	3-1/2	◆	◆	◆
HD-500	4	7/8	1	1	17-1/2	7-3/4	6-3/4	23-1/2	8-1/2	23-1/2	1-1/2	12-1/2	3-21/32	◆	◆	◆

Consult DODGE for HD600 and HD650 Take-Up Frames, for large bore bearings.

◆ Solid saddle must be drilled and tapped per order (HD-400 & HD500 frames)

\* Saddle is slotted to receive 2-bolt blocks.

\*\* For 4-bolt pillow blocks, all HD frames must be drilled and tapped per order. Refer to Page B19-36

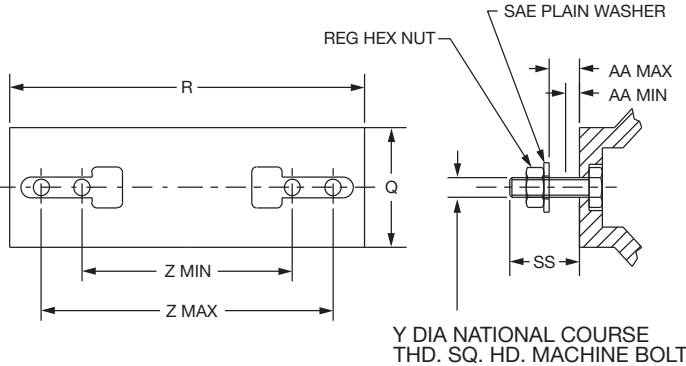
FEATURES/BENEFITS PAGE B19-2	HOW TO ORDER/NOMENCLATURE PAGE B19-7	SELECTION/DIMENSIONS PAGE B19-8
---------------------------------	---	------------------------------------



# SELECTION/DIMENSIONS

## Take-Up Frames - HD

USING HD PROTECTED SCREW TAKE-UP FRAMES FOR BEARINGS OTHER THAN DODGE



Slotted saddle type HD frames (200 through 350 sizes) may be used with 2-bolt pillow blocks other than DODGE pillow blocks listed in tables on previous pages. The dimensions shown below are listed to determine whether frame is applicable to this type of application.

Frame Size	AA		Saddle Dimensions	
	Min.	Max.	Q	R
HD-200	2	3-1/64	4	11
HD-250	2-5/8	3-13/16	4-1/2	13
HD-300	2-31/32	4-5/32	5	14
HD-350	2-27/32	4-11/16	6	17

Frame Size	Y Bearing Hold Down Bolts			SS	Z Bolt Centers	
	Diameter	Part Number	Length Under Head		Max.	Min.
HD-250	3/4-10	416229	5	4-17/32	10-7/8	7-5/8
HD-300	3/4-10	416231	5-1/2	4-7/8	11-5/8	9-1/4
HD-350	7/8-9	416275	5-1/2	5	13-11/16	10-3/4

**Note:** The Pillow Blocks must use the bolt shown and have the capability of mounting between the Z bolt centers. The height off the mounting bolt pad must be within the AA dimensions.

Eccentric Collar Ball Bearings

Setscrew WSC Ball Bearing

Eccentric SXV Collar Ball Bearing

Take-Up Frames

Engineering

Part Number Index

Keyword Index



# SELECTION/DIMENSIONS

## Heavy Duty Take-Up Frame Bearings

### TAPERED ROLLER BEARINGS

#### Type E

Shaft Size	Frame Size
1-1/2 to 2-1/2	HD-200*
2-11/16 to 3	HD-250*
3-3/16 to 3-1/2	HD-350*
3-15/16 to 5	HD-400**
5-7/16 to 6	HD-500**

#### Type K Double Interlock

Shaft Size	Frame Size
1-1/2 to 2-3/16	HD-200*
2-1/4 to 2-1/2	HD-250*
2-11/16 to 3	HD-300*
3-3/16 to 3-1/2	HD-350*
3-15/16 to 4-1/2	HD-400**
4-15/16 to 5	HD-500**

#### TAF

Shaft Size	Frame Size
2-7/16 to 2-1/2	HD-200*
2-15/16 to 3	HD-250*
3-7/16 to 4	HD-350*
4-7/16 to 5	HD-400**
5-7/16	HD-500**

- Heavy Duty Take-Up Frames Are Not Supplied With Bearings. First Match The Take-Up Frame With The Bearing Size From This Page. Then Turn To The Page Listed For The Specific Bearing Part Number

- Type K - B10-40
- Type E - B10-22
- DOUBLE INTERLOCK - B10-50
- TAF - B10-58
- See B19-37 For Heavy Duty Take-Up Frame Travel Options and Part Numbers

\* HD-200, HD-250, HD-300 and HD 350 Frames Are Drilled For Two Bolt Base Pillow Blocks. For 4-bolt pillow blocks, refer to note on page B19-36.

\*\*HD-400 And Larger Are Drilled And Tapped Per Order. Specify Bearing Type When Ordering.



# SELECTION/DIMENSIONS

## Heavy Duty Take-Up Frame Bearings

### SPECIALITY TAPERED ROLLER BEARINGS

Special Duty		Type C		All-Steel	
Shaft Size	Frame Size	Shaft Size	Frame Size	Shaft Size	Frame Size
1-3/8 to 2	HD-200	1-3/8 to 1-15/16	HD-200	2-11/16 to 3	HD-250*
2-1/8 to 2-1/2	HD-250	2 to 2-7/16	HD-250	3-7/16 to 3-1/2	HD-300*
2-3/8 to 3	HD-300	2-3/8 to 2-15/16	HD-300	3-15/16 to 4	HD-350*
3-3/16 to 3-1/2	HD-350	3 to 3-7/16	HD-350	4-7/17 to 5	HD-400**
3-11/16 to 4	HD-400**	3-1/2 to 4	HD-400**		
4-7/16 to 5	HD-500**	4-7/16 to 5	HD-500**		

- Heavy Duty Take-Up Frames Are Not Supplied With Bearings. First Match The Take-Up Frame With The Bearing Size From This Page. Then Turn To The Page Listed For The Specific Bearing Part Number
- Specialty Duty - B11-30
- Type C - B11-8
- All Steel - B11-54
- See B19-37 For Heavy Duty Take-Up Frame Travel Options and Part Numbers

\*HD-200, HD-250, HD-300 and HD 350 Frames Are Drilled For Two Bolt Base Pillow Blocks. For 4-bolt pillow blocks, refer to note on page B19-36.  
**\*\*HD-400 And Larger Are Drilled And Tapped Per Order. Specify Bearing Type When Ordering.**





# SELECTION/DIMENSIONS

## Heavy Duty Take-Up Frame Bearings

### UNITIZED SPHERICAL ROLLER BEARINGS

Imperial - IP		S-2000		UNISPHERE II		
Shaft Size	Frame Size	Shaft Size	Frame Size	Shaft Size	Frame Size	
1-1/8 to 2-1/2	HD-200*	1-3/8 1-7/16 1-1/2 1-11/16 1-3/4 1-15/16	HD-200*	1-15/16 2 2-3/16 2-7/16 2-1/2	HD-200	
2-11/16 2-3/4 2-15/16 3	HD-250*	2 2-3/16 2-7/16 2-11/16		HD-250		
3-3/16 3-1/4 3-7/16 3-1/2	HD-300*	2-15/16 3				HD-300
3-11/16 3-15/16 4 4-7/16 4-1/2	HD-350*	3-7/16 3-15/16 4-7/16				
4-15/16 5	HD-400**	4-15/16				HD-400**

- Heavy Duty Take-Up Frames Are Not Supplied With Bearings. First Match The Take-Up Frame With The Bearing Size From This Page. Then Turn To The Page Listed For The Specific Bearing Part Number
- S-2000 - B12-14 to B12-29
- IMPERIAL - B14-30 to B14-37
- UNISPHERE - B13-12 to B13-13
- See B19-37 For Heavy Duty Take-Up Frame Travel Options and Part Numbers

\*HD-200, HD-250, HD-300 and HD 350 Frames Are Drilled For Two Bolt Base Pillow Blocks. For 4-bolt pillow blocks, refer to note on page B19-36.

\*\*HD-400 And Larger Are Drilled And Tapped Per Order. Specify Bearing Type When Ordering.

FEATURES/BENEFITS PAGE B19-2	HOW TO ORDER/NOMENCLATURE PAGE B19-7	SELECTION/DIMENSIONS PAGE B19-8
---------------------------------	---	------------------------------------



# SELECTION/DIMENSIONS

## Heavy Duty Take-Up Frame Bearings

### UNIFIED SPHERICAL ROLLER BEARINGS

USAF-500  
SAF-XT  
SAFS  
ISAF

Shaft Size	Frame Size
1-15/16 to 2-3/16	HD-200*
2-7/16 to 3	HD-250*
3-3/16	HD-300*
3-7/16 to 3-1/2	HD-350*
3-15/16 to 4-1/2	HD-400**
4-15/16 to 5-1/2	HD-500**

Take-Up Frame Size	Maximum Recommended Housing Cap. Loads ** (at 90° load angle)
HD-200	2800
HD-250	4200
HD-300	4200
HD-350	3500
HD-400	***
HD-500	***

- Heavy Duty Take-Up Frames Are Not Supplied With Bearings. First Match The Take-Up Frame With The Bearing Size From This Page. Then Turn To The Page Listed For The Specific Bearing Part Number
- IMPERIAL - B14-52 to B14-57
- USAF-500 - B14-26 to B14-29
- SAF-XT - B15-56 to B15-59
- SAFS - B15-61 to B15-63
- See B19-37 For Heavy Duty Take-Up Frame Travel Options and Part Numbers

\*HD-200, HD-250, HD-300 and HD 350 Frames Are Drilled For Two Bolt Base Pillow Blocks. For 4-bolt pillow blocks, refer to note on page B19-36.

\*\*HD-400 And Larger Are Drilled And Tapped Per Order. Specify Bearing Type When Ordering.

Eccentric Collar Ball Bearings

Setscrew WSC Ball Bearing

Eccentric SXV Collar Ball Bearing

Take-Up Frames

Engineering

Part Number Index

Keyword Index



# SELECTION/DIMENSIONS

## Heavy Duty Take-Up Frame Bearings

### SLEEVE BEARINGS

MM-700  
MM-1000

Shaft Size	Frame Size
3-7/16 3-1/2	HD-250*
3-15/16 4	HD-300*
4-7/16 4-1/2	HD-350*
4-15/16 5	HD-400**

- Heavy Duty Take-Up Frames Are Not Supplied With Bearings. First Match The Take-Up Frame With The Bearing Size From This Page. Then Turn To The Page Listed For The Specific Bearing Part Number
- MM 700 - B17-14
- MM 1000 - B17-14
- Angle Babbitt - B17-42 to B17-43
- Bronze B17-50 to B17-53
- See B19-37 For Heavy Duty Take-Up Frame Travel Options and Part Numbers

Angle Babbitt  
Bronze Babbitt

Shaft Size	Frame Size
1-15/16 2-3/16 2-7/16	HD-200*
2-11/16 2-15/16	HD-250*
3-7/16	HD-300*
3-15/16	HD-350*
4-7/16 4-15/16	HD-400**
5-7/16 5-15/16	HD-500**

\*HD-200, HD-250, HD-300 and HD 350 Frames Are Drilled For Two Bolt Base Pillow Blocks. For 4-bolt pillow blocks, refer to note on page B19-36.

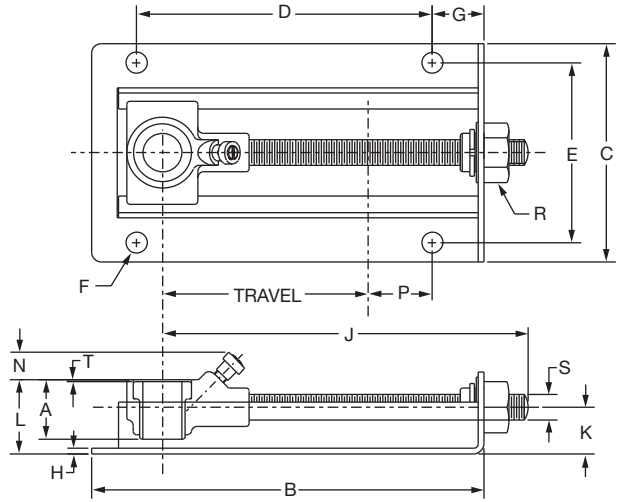
\*\*HD-400 And Larger Are Drilled And Tapped Per Order. Specify Bearing Type When Ordering.

FEATURES/BENEFITS PAGE B19-2	HOW TO ORDER/NOMENCLATURE PAGE B19-7	SELECTION/DIMENSIONS PAGE B19-8
---------------------------------	---	------------------------------------

# SELECTION/DIMENSIONS



## Take-Up Frames - BRONZOIL

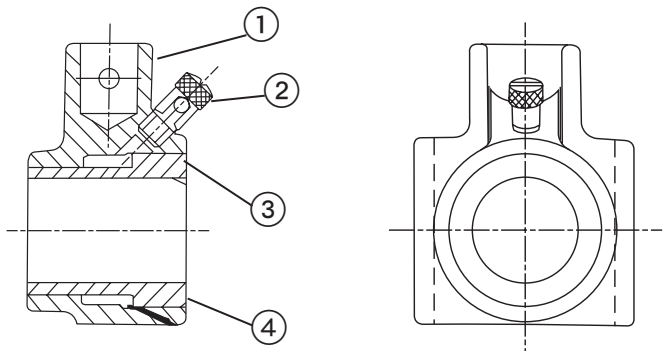


Shaft Size X Travel	Part Number	Description	Wt.	A	B	C	D	E
1/2 x 4	034020	BOTU-008X4	1.9					
5/8 x 4	034021	BOTU-010X4	1.8	1-3/16	7-5/8	4-1/4	5-3/4	3-1/2
3/4 x 4	034022	BOTU-012X4	1.7					
7/8 x 4	034023	BOTU-014X4	2.1					
15/16 x 4	034024	BOTU-015X4	2.0	1-9/16	7-5/8	4-1/4	5-3/4	3-1/2
1 x 4	034025	BOTU-100X4	1.9					

Shaft Size X Travel	F Bolt Dia.	G	H	J	K	L	N	P	R Hex. Size	S	T
1/2 x 4											
5/8 x 4	3/8	1	7/64	7-1/8	29/32	1-7/16	1/2	1-1/4	1	1/2	1/16
3/4 x 4											
7/8 x 4											
15/16 x 4	3/8	1	7/64	7-1/8	29/32	1-5/8	5/16	1-1/4	1	1/2	1/16
1 x 4											

### BRONZOIL Take-Up Bearing Assembly

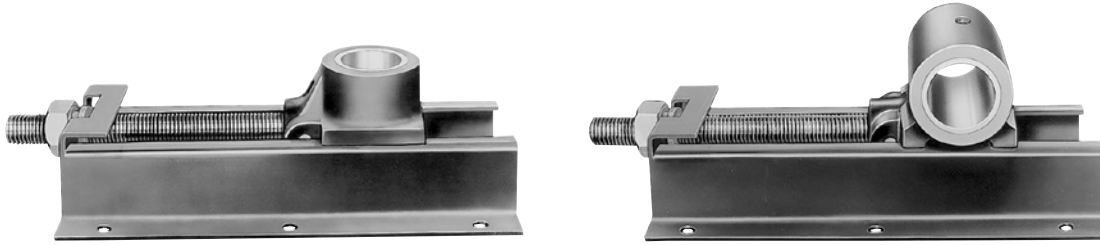
Size	(TUBO---) Assy. No	1	2	3	4
1/2	034030	034001	405046	034013	444010
5/8	034031	034001	405046	034014	444010
3/4	034032	034001	405046	034015	444010
7/8	034033	034002	405046	034016	444010
15/18	034034	034002	405046	034017	444010
1	034035	034002	405046	034018	444010



1. BRONZOIL Housing
2. BRONZOIL Take-Up Oil Cup
3. BRONZOIL Bushing
4. BRONZOIL Permawick



## Take-Up Bearings - Type A & B



### TYPE A & B TAKE-UP BEARINGS (Only) TYPE A & B TAKE-UP FRAMES DISCONTINUED

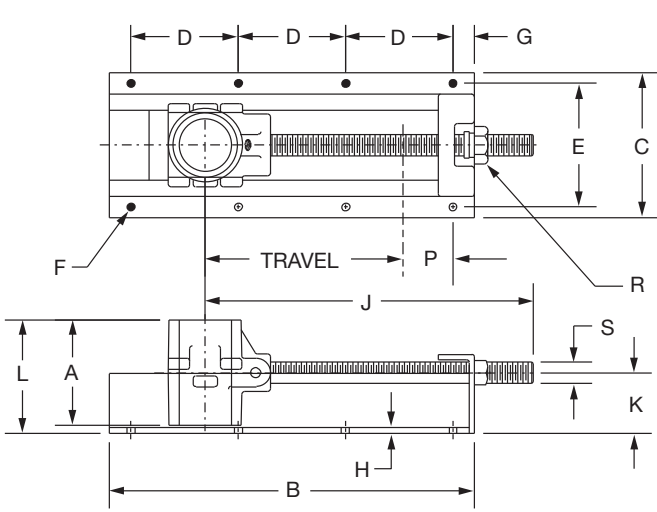
Shaft Size x Travel	Type A Take-Up Bearing		
	Part Number	Description	Wt.
15/16 x 5	<b>036180</b>	TUA-015-TUBRG	2.6
1 x 5	<b>036181</b>	TUA-100-TUBRG	2.5
1-3/16 x 5	<b>036182</b>	TUA-103-TUBRG	2.3
1-1/4 x 5	<b>036183</b>	TUA-104-TUBRG	2.2
1-7/16 x 6	<b>036184</b>	TUA-107-TUBRG	3.5
1-7/16 x 12			
1-11/16 x 6	<b>036185</b>	TUA-111-TUBRG	4.1
1-11/16 x 12			
1-15/16 x 9	<b>036186</b>	TUA-115-TUBRG	6.7
1-15/16 x 18			
2-3/16 x 9	<b>036187</b>	TUA-203-TUBRG	10.1
2-3/16 x 18			
2-7/16 x 9	<b>036188</b>	TUA-207-TUBRG	8.8
2-7/16 x 18			

Shaft Size x Travel	Type B Take-Up Bearing		
	Part Number	Description	Wt.
15/16 x 5	<b>036270</b>	TUB-015-TUBRG	3.6
1 x 5	<b>036193</b>	TUB-100-TUBRG	3.5
1-3/16 x 5	<b>036194</b>	TUB-103-TUBRG	3.3
1-1/4 x 5	<b>036274</b>	TUB-104-TUBRG	3.2
1-7/16 x 6	<b>036196</b>	TUB-107-TUBRG	4.7
1-7/16 x 12			
1-11/16 x 6	<b>036197</b>	TUB-111-TUBRG	5.4
1-11/16 x 12			
1-15/16 x 9	<b>036198</b>	TUB-115-TUBRG	8.6
1-15/16 x 18			
2-3/16 x 9	<b>036199</b>	TUB-203-TUBRG	12.7
2-3/16 x 18			
2-7/16 x 9	<b>036200</b>	TUB-207-TUBRG	11.4
2-7/16 x 18			

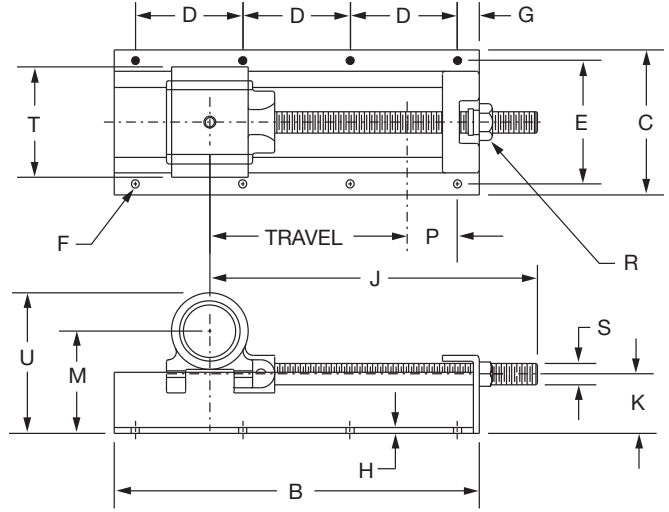
# SELECTION/DIMENSIONS



## Take-Up Bearings - Type A & B



TYPE TUA



TYPE TUB

Shaft Size x Travel	A	B	C	D	E	F Bolt		G	H	J	K
						No.	Dia.				
15/16 x 5 1 x 5 1-3/16 x 5 1- 1/4 x 5	2-5/8	9-3/4	4-3/4	3-1/2	4	6	5/16	1-3/8	1/8	8-3/4	1-5/8
1-7/16 x 6 1-7/16 x 12	3-1/8	1218	5-3/45-3/4	55-1/4	4-3/44-3/4	68	3/33/8	11	3/163/16	10-1/216-1/2	22
1-11/16 x 6 1-11/16 x 12	3-3/8	1218	5-3/45-3/4	55-1/4	4-3/44-3/4	68	3/83/8	11	3/163/16	10-1/216-1/2	22
1-15/16 x 9 1-15/16 x 18	4-1/8	1726	6-3/46-3/4	56	5-3/45-3/4	810	3/83/8	11	1/41/4	14-1/223-1/2	2-3/42-3/4
2-3/16 x 9 2-3/16 x 18	4-7/8	1726	6-3/46-3/4	56	5-3/45-3/4	810	3/83/8	11	1/41/4	14-1/223-1/2	2-3/42-3/4
2-7/16 x 9 2-7/16 x 18	4-7/8	1726	6-3/46-3/4	56	5-3/45-3/4	810	3/83/8	11	1/41/4	14-1/223-1/2	2-3/42-3/4

Shaft Size x Travel	L	M	P	R Hex.	S	T	U	Grease Cup	
								Pipe Tap	Size
15/16 x 5 1 x 5 1-3/16 x 5 1- 1/4 x 5	3	2-3/4	1-5/8	1-5/16	3/4	2-7/8	3-27/32	1/8	0
1-7/16 x 6 1-7/16 x 12	3-5/8	3-3/83-3/8	2-1/22-1/2	1-1/2	7/8	3-3/8	4-19/32	1/4	0
1-11/16 x 6 1-11/16 x 12	3-3/4	3-5/83-5/8	2-1/22-1/2	1-1/2	7/8	3-5/8	4-31/32	1/4	0
1-15/16 x 9 1-15/16 x 18	4-7/8	4-1/24-1/2	3-3/83-3/8	1-5/8	1	4-3/8	6-1/32	1/4	1
2-3/16 x 9 2-3/16 x 18	5-1/4	4-3/44-3/4	3-1/83-1/8	1-5/8	1	5-1/8	6-17/32	1/4	1
2-7/16 x 9 2-7/16 x 18	5-1/4	4-3/44-3/4	3-3/83-3/8						

FEATURES/BENEFITS PAGE B19-2	HOW TO ORDER/NOMENCLATURE PAGE B19-7	SELECTION/DIMENSIONS PAGE B19-8
---------------------------------	---	------------------------------------

Eccentric Collar Ball Bearings  
 Setscrew WSC Ball Bearing  
 Eccentric SXV Collar Ball Bearing  
 Take-Up Frames  
 Engineering  
 Part Number Index  
 Keyword Index