



RENEWAL PARTS DATA



PARTSERVICESM RAPS-1726-1 5/2006



PARTSERVICESM

Dodge Renewal Parts Phone Numbers	
Business Hours	864-297-4160
After Hours	864-297-4800
Customer Solutions – Warranty	864-284-5777

To locate a Dodge Distributor go to our website www.ptplace.com.

We may be contacted by email at www.dodge-reliance.com/renewal_parts

For additional information about Dodge and Reliance Electric products contact your local authorized Distributor or contact us at 864-297-4800.

Visit us on the web at www.dodge-reliance.com

TABLE OF CONTENTS

QUANTIS RENEWAL PARTS CATALOG

BACKSTOPS.....SEE SEPARATE & 3-PC COUPLED INPUT ADAPTERS

BASIC PARTS ILH 38 – 168, SINGLE-DOUBLE-TRIPLE REDUCTION.....P-3 – P-71

BASIC PARTS MSM 38 – 168.....P-74 – P-125

 MSM NOTES.....P-73

BASIC PARTS RHB 38 – 168.....P127 – P-166

BEARINGS.....SEE APPLICABLE BASIC PARTS PAGE

BRAKE RENEWAL PARTS & COMPLETE ASSEMBLIES.....P-178

 PARTS LIST DRAWING.....P-179

C-FACE ADAPTER ASSEMBLIES – CLAMP COLLAR.....P-192

 PARTS LIST DRAWING.....P-193

C-FACE ADAPTER ASSEMBLIES – 3 PIECE COUPLED – NEMA – STANDARD.....P-196

C-FACE ADAPTER ASSEMBLIES – 3 PIECE COUPLED – IEC – STANDARD.....P-198

C-FACE ADAPTER ASSEMBLIES – 3 PIECE COUPLED – NEMA – W/BACKSTOP.....P-197

C-FACE ADAPTER ASSEMBLIES – 3 PIECE COUPLED – IEC – WITH BACKSTOP.....P-199

 INSTRUCTIONS.....P-195

 PART LIST DRAWING.....P-194

COUPLING, 3-PIECE.....P-200

GEAR CHART.....SEE APPLICABLE BASIC PARTS SECTION

LUBRICANT.....P-210 – P211

MOTOR STOCK LIST

 BRAKEMOTOR.....P-176

 STANDARD.....P-175

MOTOR RENEWAL PARTS.....P-177

NOMECLATURE

 ILH.....P-2

 MSM.....P-72

 RHB.....P-126

PARTS LIST DRAWINGS.....SEE APPLICABLE BASIC PARTS SECTION

SCREW CONVEYOR

 PARTS LIST DRAWING.....P-208

 STANDARD & HARSH DUTY COMPONENTS.....P-209

SEAL KITS

ILH C-FACE INPUT – C-FACE & CLAMP COLLAR.....	P-167
ILH GEARMOTOR INPUT.....	P-168
MSM & RHB GEARMOTOR INPUT – SINGLE SOLID SHAFT OUTPUT.....	P-169
MSM & RHB GEARMOTOR INPUT – HOLLOW & DBLE SHAFT OUTPUT.....	P-170
MSM & RHB C-FACE INPUT 3PC & CC – HOLLOW & DBLE OUTPUT.....	P-171
MSM & RHB C-FACE INPUT 3PC & CC – SINGLE SOLID SHAFT OUTPUT.....	P-172
 SEALS, VITON.....	 P-173
 SEAL, HARSH DUTY.....	 P-174
 SEPARATE INPUT ADAPTER	
ASSEMBLY COMPONENTS.....	P-182 – P191
INSTRUCTIONS.....	P-180
PARTS LIST DRAWING.....	P-181
 TIE ROD ASSEMBLY MSM & RHB	
KITS & PARTS LIST DRAWING.....	P-205
KIT COMPONENTS.....	P-206 – P207
 TWIN TAPER BUSHING KITS.....	 P-201 – P-204
 TWIN TAPER SHAFTS (RHB & MSM).....	 SEE BASIC PARTS LIST

NOMENCLATURE

ILH INLINE HELICAL SERIES

C-FACE REDUCERS - GEARMOTORS - SEPARATE INPUTS

C-FACE	1	2	3	4	5	6	7		8	9	10	10a	10b	11	11a
(EX.:)	H	B	38	2	C	N	56C	/	9.70	B3	S	I	1.000	-	-
GEARMOTOR															
(EX.:)	H	F	108	3	G	H	132N4	/	51.47	B5	S	M	60	B5	350
SEPARATE															
(EX.:)	H	B	38	2	S	I	71	/	9.70	B3	S	I	1.000	-	-

1. PRODUCT TYPE

H = ILH

2. OUTPUT CONFIGURATION

B = FOOT MOUNTED
F = FLANGE MOUNTED

3. UNIT SIZE

38	48	68	88
108	128	148	168

4. REDUCTION STAGE

1 = SINGLE
2 = DOUBLE
3 = TRIPLE

5. INPUT CONFIGURATION

C = CLAMP COLLAR (C FACE)
L = 3 PIECE COUPLED (C FACE)
G = INTEGRAL GEARMOTOR
S = SEPARATE

6. MOTOR TYPE

N = NEMA
I = IEC
H = HORSEPOWER (GEARMOTOR)
K = KILOWATT (GEARMOTOR)
I = INCH (SEPARATE INPUT)
M = METRIC (SEPARATE INPUT)

7. MOTOR FRAME

NEMA	56C	140TC	180TC	210TC
	250TC	280TC	320TC	360TC

IEC	71	80	90	100
	112	132	160	180
	200	225	250	

8. RATIO

3.49 - 51.28 = DOUBLE REDUCTION
30.74 - 359.30 = TRIPLE REDUCTION

9. MOUNTING POSITION

FOOT		FLANGE
B3	B6	B5
V5	B7	V1
V6	B8	V3

10. OUTPUT SHAFT TYPE

S = SINGLE EXTENSION SOLID SHAFT

10a. OUTPUT SHAFT DIMENSION

I = INCH
M = METRIC

10b. OUTPUT SHAFT DIAMETER

INCH: 1.000 - 4.750
METRIC: 25mm - 120mm

11. OUTPUT FLANGE TYPE

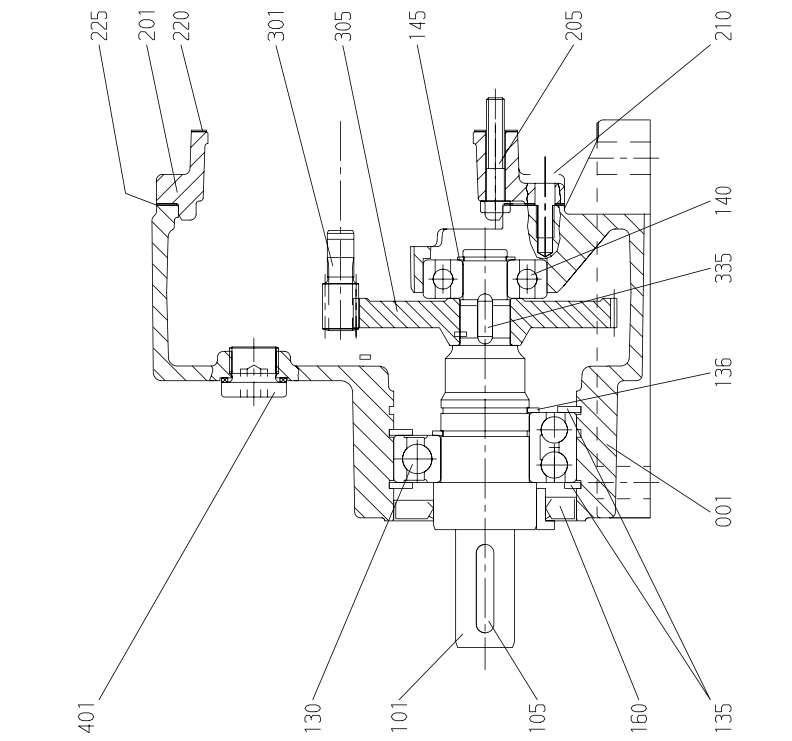
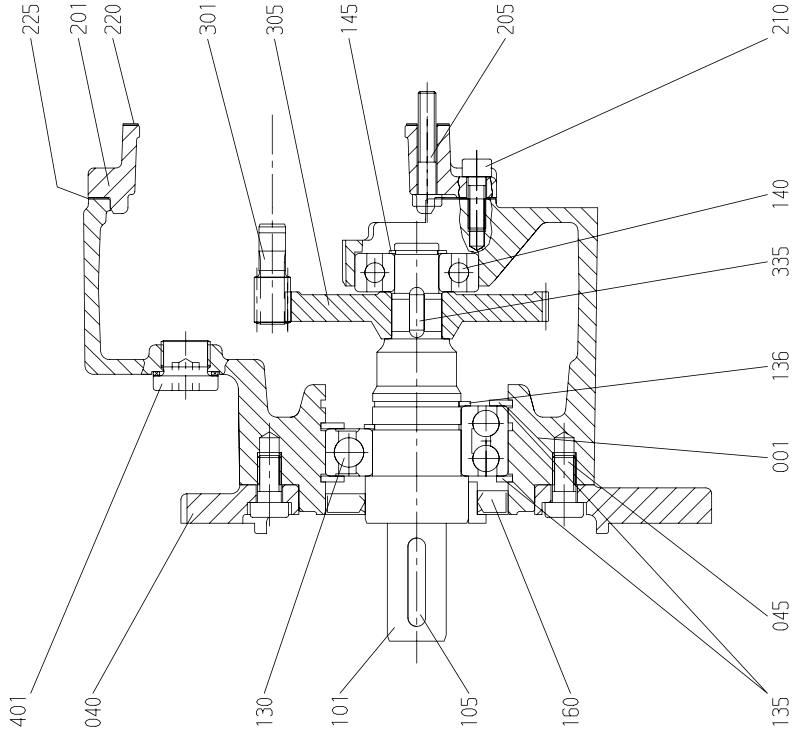
B5
B14

11a. OUTPUT FLANGE DIAMETER

B5: 160mm - 550mm
B14: 120mm - 400 mm



RENEWAL PARTS DATA



DODGE QUANTIS 1LH PARALLEL REDUCER	
SINGLE REDUCTION SIZE 38	
FOOTED (HF) & FLANGED (HF) HOUSINGS	
DRAWING NUMBER	
212933 & 212940	
FLANGED	

IN LINE HELICAL ILH HB-HF381			PARTS LIST
Position No.	Quantity	Part Number	Description
001	1 or 0	366406	E38 HOUSING - FOOTED
001	1 or 0	366420	EZ38 HOUSING - FLANGED
040	1 or 0	093846	OUTPUT FLANGE - 140TC
040	1 or 0	082533	OUTPUT FLANGE - 160MM
040	1 or 0	082535	OUTPUT FLANGE - 200MM
045	4 or 0	021358	LHSCSREW M8 X 16
101	1 or 0	093773	E/EF38 O/P Sh. 7/8x2.24
101	1 or 0	366354	OUTPUT SHAFT 20x40 MM
105	1 or 0	333665	KEY 3/16 SQ X 1.50 (7/8 x 2.24 SHAFT)
105	1 or 0	051567	KEY 6x6x30 (20x40 SHAFT)
130	1	011727	BEARING STD & HEAVY DUTY
135	2	278701	H/O INT RET. RING
136	1	051284	EXT S-RING 30X1.5 DIN471
140	1 or 0	016223	BEARING - STANDARD
140	1 or 0	011630	BEARING - HEAVY DUTY
145	1	051271	EXT S-RING 15x1 DIN471
160	1	011548	OUTPUT SEAL
201	1	366231	AL ADAPT PLATE Z38 71-100/56C - 180TC (1)
205	4	504637	M6 X 35 LHCS DIN6912 10.9
210	8	050810	M6 X 18 SHCS DIN 912 12.9
220	1	083277	INPUT GASKET
225	1	083274	ILH 38 AD. PLT GASKET
301	1	See Gear Chart	INPUT PINION
305	1	See Gear Chart	GEAR
335	1	441775	KEY B5x5x12 HARDENED 71-100
401	1	083868	OIL PLUG G3/8"

(1) Compatible with 180TC clamp collar only. Three piece 180TC adapter not available for H38 reducer.

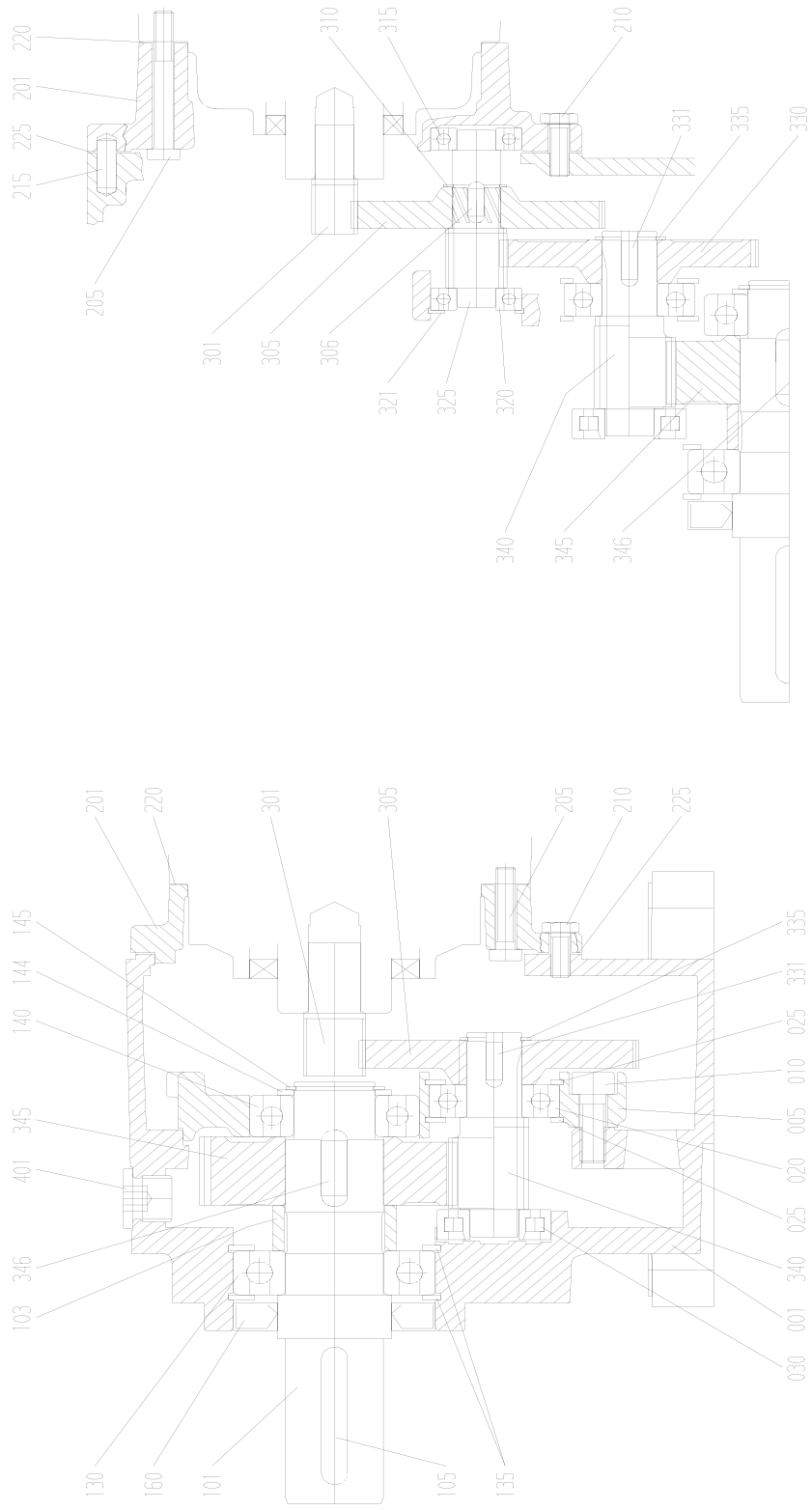
QUANTIS ILH 381
SINGLE REDUCTION GEAR CHART

Ratio		56C - 71 9 MM (1)	80 10 MM (1)	140TC-90 12 MM (1)	180TC-100 16 MM (1)
1.59	Pinion Gear	083469 370101	083468 370101	083467 370101	083466 370101
1.85	Pinion Gear	083533 370102	083535 370102	083517 370102	083519 370102
2.05	Pinion Gear	083463 370104	083462 370104	083460 370104	083459 370104
2.24	Pinion Gear	083531 370103	083532 370103	083515 370103	083516 370103
2.50	Pinion Gear	083457 370105	083456 370105	083455 370105	083454 370105
2.73	Pinion Gear	083529 370106	083530 370106	083525 370106	083374 370106
3.00	Pinion Gear	083446 370107	083444 370107	083443 370107	083355 370107
3.31	Pinion Gear	083528 370108	083513 370108	083514 370108	083352 370108
3.67	Pinion Gear	083442 370109	083441 370109	083440 370109	083591 370109
4.15	Pinion Gear	083527 370110	083512 370110	083346 370110	083345 370110
4.58	Pinion Gear	083439 370111	083438 370111	083587 370111	083486 370111
5.18	Pinion Gear	083499 370112	083583 370112	083582 370112	083580 370112
5.92	Pinion Gear	083339 370113	083338 370113	083337 370113	----- -----
6.73	Pinion Gear	083336 370115	083335 370115	083334 370115	----- -----
7.20	Pinion Gear	083309 370114	083308 370114	083307 370114	----- -----
8.30	Pinion Gear	083320 370116	083319 370116	----- -----	----- -----
9.33	Pinion Gear	083316 370117	----- -----	----- -----	----- -----

(1) Pinion shank diameter changes by motor frame size.



RENEWAL PARTS DATA



DODGE QUANTIS IH PARALLEL REDUCER	
DOUBLE & TRIPLE REDUCTION SIZE IH482-3	
BRANDING NUMBER 085620	
DODGE	

IN LINE HELICAL ILH HB382-3		Parts List for Helical Gear Units	
Positions-Nr.	Quantity	Part Number	Component Designation
001	1	094027	Gearcase - HB38
005	1	082992	Center Plate (1)
010	4	093853	M8 x 25-12.9 Bolt to attach Center Plate (1)
020	1	011673	Ball bearing (in 005) 6203
025	2	051298	Retaining Ring (to 020,bore)
030	1	975322	Cylindrical Bearing (opposite 020) - NJ202E
050	1	087680	Cover Plate (1)
051	6	980673	Cap Screw M6x12 (cover plt to gearcase)
055	1	087662	Gasket, Cover Plate
101	1 or 0	082568	Output shaft - 25 x 50 mm
101	1 or 0	082558	Output shaft - 30 x 60 mm
101	1 or 0	081593	Output shaft - 1.00 x 1.97 "
101	1 or 0	081594	Output shaft - 1.25 x 2.36"
103	1	082559	Sleeve (Gear 345 - Bearing 130)
105	1 or 0	051583	Key (shaft end) 8 x 7 x 40 for 25 x 50mm shaft
105	1 or 0	051585	Key (shaft end) 8 x 7 x 50 for 30 x 60mm shaft
105	1 or 0	108223	Key (shaft end) 1/4 x 1/4 x 1-5/8 for 1" x 1.97" shaft
105	1 or 0	105807	Key (shaft end) 1/4 x 1/4 x 2 for 1.25" x 2.36" shaft
130	1	016223	Ball bearing (output side) 6206-2Z
135	2	051312	Retaining Ring (to 130,bore)
140	1	07914702X	Ball Bearing (opposite 130) - 6205
144	1	093799	Washer (between 140/145)
144B	As Req'd	071750	Shim 25 X 35 X 0.1 (NOT SHOWN)
144B	As Req'd	085524	Shim 25 X 35 X 0.15 (NOT SHOWN)
145	1	051280	Retaining Ring (to 140,shaft)
160	1	011548	Output Seal
201	1 or 0	366231	Adapter plate - HB382 - Frames 71-100/56C-180TC (2)
201	1 or 0	082470	Adapter plate - HB383 - Frames 71-100/56C-180TC (2)
205	4	504637	M6 x 35-8.8 Bolt (Adapter plate to motor) - HB382
205	4	050820	M6 x 50-8.8 Bolt (Adapter plate to motor) - HB383
210	8	050810	M6 x 20-8.8 Bolt (to gear unit)
215	1 or 0	051499	Dowel Pin (3 Stage Only)
220	1	083277	Gasket (Between adapter plate and input group)
225	1	083274	Gasket (Between adapter plate and gearcase)
301	1	See Chart	Shank pinion
305	1	See Chart	Gear
306	1	441775	Key (to 305)
310	1	278708	Retaining Ring (to 305)
315	1	024296	Ball bearing (in adapter plate) - 6001-2Z
320	1	024296	Ball bearing (in center plate) - 6001-2Z
321	1	754005	Retaining Ring (to 320,bore)
325	1	082574	Pinion shaft Triple Stage Ratio: 4.933
330	1	082575	Gear Triple Stage Ratio: 4.933
331	1	442704	Key (to 330)
335	1	051271	Retaining Ring (to 330)
340	1 or 0	082565	Pinion shaft Output Ratio: 4.727
340	1 or 0	082572	Pinion shaft Output Ratio: 3.000
345	1 or 0	082566	Gear Output Ratio: 4.727
345	1 or 0	082573	Gear Output Ratio: 3.000
346	1	900999	Key (to 345) (051574)
401	1	083868	Pipe Plug
405	1	084455	Oil sight glass (OPTIONAL - NOT SHOWN)

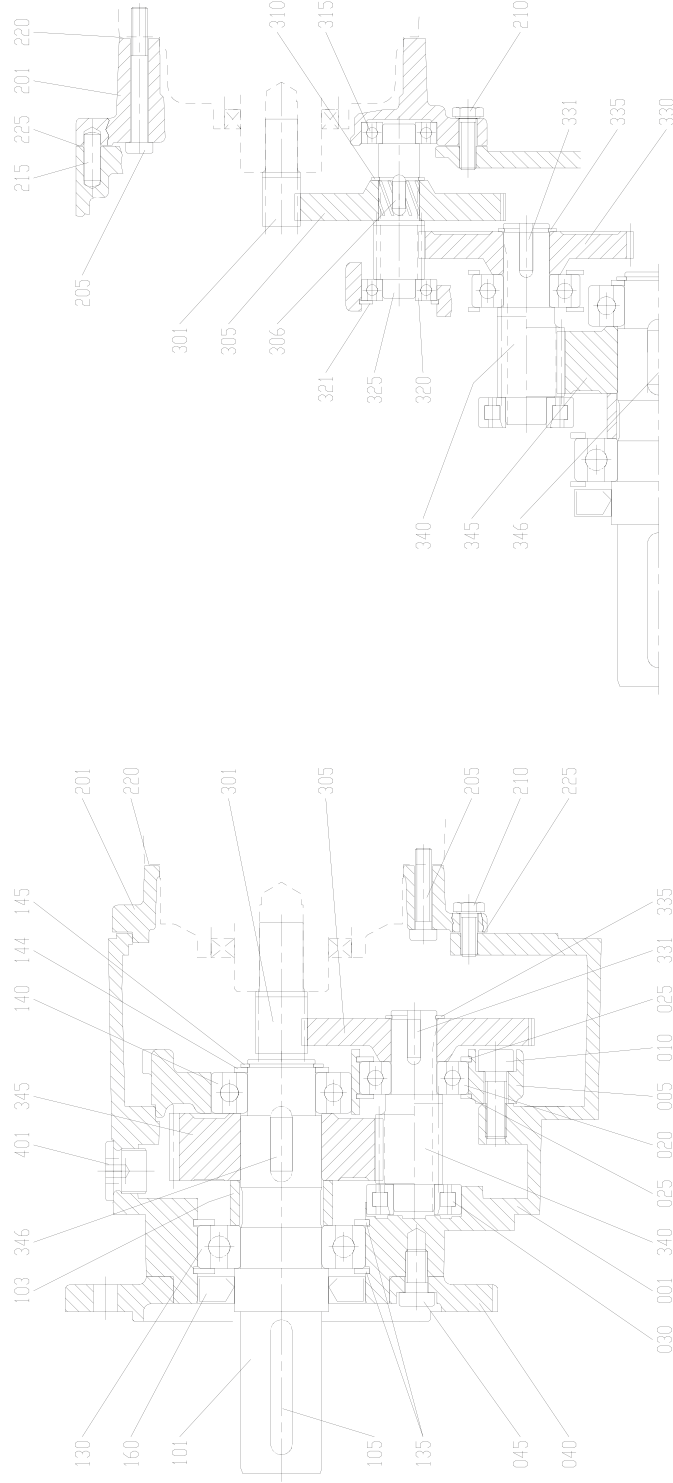
Note: Size 38 does not use vent plug.

(1) Original reducers were solid housing with bolt-in center plate. Housing redesigned in 2000 to have bolt on cover plate and cast in center plate. Order housing and cover plate to replace original design.

(2) Size 180TC clamp collar and 3-pc coupled c-face input assemblies were redesigned in Feb 2005 to mount to 112 adapter plate(#201). Current redesigned assemblies are not interchangeable with original adapter assemblies which mounted to a 100 adapter plate(#201). Use original clamp collar assembly 086836 or 3-pc assembly 086850 on ILH38 for 180TC input (no 112 adpt plate available).



RENEWAL PARTS DATA



DODGE QUANTIS™ 1LH PARALLEL REDUCER	
DOUBLE & TRIPLE REDUCTION SIZE 1LH982-3	
DRAWING NUMBER 085621	
DODGE	

IN LINE HELICAL ILH HF382-3			Parts List for Helical Gear Units
Positions-Nr.	Quantity	Part Number	Component Designation
001	1	087523	Gearcase - HF38
005	1	082992	Center Plate (1)
010	4	093853	M8 x 25-12.9 Bolt to attach Center Plate (1)
020	1	011673	Ball bearing (in 005) 6203
025	2	051298	Retaining Ring (to 020,bore)
030	1	975322	Cylindrical Bearing (opposite 020) - NJ202E
040	1 or 0	082533	Output Flange - 160mm - B5 (Fig 2)
040	1 or 0	082535	Output Flange - 200mm - B5 (Fig 2)
045	4	021358	M8 x 16-8.8 Bolt (to 040)
050	1	087680	Cover Plate (1)
051	6	980673	Cap Screw M6x12 (cover plt to gearcase)
055	1	087662	Gasket, Cover Plate
101	1 or 0	082568	Output shaft - 25 x 50 mm
101	1 or 0	082558	Output shaft - 30 x 60 mm
101	1 or 0	081593	Output shaft - 1.00 x 1.97 "
101	1 or 0	081594	Output shaft - 1.25 x 2.36"
103	1	082559	Sleeve (Gear 345 - Bearing 130)
105	1 or 0	051583	Key (shaft end) 8 x 7 x 40 for 25 x 50mm shaft
105	1 or 0	051585	Key (shaft end) 8 x 7 x 50 for 30 x 60mm shaft
105	1 or 0	108223	Key (shaft end) 1/4 x 1/4 x 1-5/8 for 1" x 1.97" shaft
105	1 or 0	105807	Key (shaft end) 1/4 x 1/4 x 2 for 1.25" x 2.36" shaft
130	1	016223	Ball bearing (output side) 6206-2Z
135	2	051312	Retaining Ring (to 130,bore)
140	1	07914702X	Ball Bearing (opposite 130) - 6205
144	1	093799	Washer (between 140/145) (053289)
144B	As Req'd	071750	Shim 25 X 35 X 0.1 (NOT SHOWN)
144B	As Req'd	085524	Shim 25 X 35 X 0.15 (NOT SHOWN)
145	1	051280	Retaining Ring (to 140,shaft)
160	1	011548	Output Seal
201	1 or 0	082402	Adapter plate - HF382 - Frames 71-100/56C-180TC (2)
201	1 or 0	082470	Adapter plate - HF383 - Frames 71-100/56C-180TC (2)
205	4	504637	M6 x 35-8.8 Bolt (Adapter plate to motor) - HB382
205	4	050820	M6 x 50-8.8 Bolt (Adapter plate to motor) - HB383
210	8	050810	M6 x 18-8.8 Bolt (to gear unit)
215	1 or 0	051499	Dowel Pin (3 Stage Only)
220	1 or 0	083277	Gasket (Between adapter plate and input group)
225	1 or 0	083274	Gasket (Between adapter plate and gearcase)
301	1	See Chart	Shank Pinion
305	1	See Chart	Gear
306	1	441775	Key (to 305)
310	1	278708	Retaining Ring (to 305)
315	1	024296	Ball bearing (in adapter plate) - 6001-2Z
320	1	024296	Ball bearing (in center plate) - 6001-2Z
321	1	754005	Retaining Ring (to 320,bore)
325	1	082574	Pinion shaft Triple Stage Ratio: 4.933
330	1	082575	Gear Triple Stage Ratio: 4.933
331	1	442704	Key (to 330)
335	1	051271	Retaining Ring (to 330)
340	1 or 0	082565	Pinion shaft Output Ratio: 4.727
340	1 or 0	082572	Pinion shaft Output Ratio: 3.000
345	1 or 0	082566	Gear Output Ratio: 4.727
345	1 or 0	082573	Gear Output Ratio: 3.000
346	1	900999	Key (to 345) (051574)
401	1	083868	Pipe Plug
405	1	084455	Oil sight glass (OPTIONAL - NOT SHOWN)

Note: Size 38 does not use vent plug.

(1) Original reducers were solid housing with bolt-in center plate. Housing redesigned in 2000 to have bolt on cover plate and cast in center plate. Order housing and cover plate to replace original design.

(2) Size 180TC clamp collar and 3-pc coupled c-face input assemblies were redesigned in Feb 2005 to mount to 112 adapter plate #201. Current redesigned assemblies are not interchangeable with original adapter assemblies which mounted to a 100 adapter plate #201. Use original clamp collar assembly 086836 or 3-pc assembly 086850 on ILH38 for 180TC input (no 112 adpt plate available).

QUANTIS ILH SIZE 38
GEARING CHART

DOUBLE REDUCTION

TOTAL RATIO	1st STAGE	2nd STAGE		IEC 63-71D/56C – 9 MM (1)		IEC 80D – 10 MM (1)		IEC 90D/140TC – 12 MM (1)		IEC 100D/180TC – 16 MM (1)	
				1st	2nd	1st	2nd	1st	2nd	1st	2nd
4.77	1.59	3.00	PINION GEAR	083469	082572	083468	082572	083467	082572	083466	082572
				370101	082573	370101	082573	370101	082573	370101	082573
5.55	1.85	3.00	PINION GEAR	083533	082572	083535	082572	083517	082572	083519	082572
				370102	082573	370102	082573	370102	082573	370102	082573
6.16	2.05	3.00	PINION GEAR	083463	082572	083462	082572	083460	082572	083459	082572
				370104	082573	370104	082573	370103	082573	370104	082573
6.71	2.24	3.00	PINION GEAR	083531	082572	083532	082572	083515	082572	083516	082572
				370103	082573	370103	082573	370103	082573	370103	082573
7.50	2.50	3.00	PINION GEAR	083457	082572	083456	082572	083455	082572	083454	082572
				370105	082573	370105	082573	370105	082573	370105	082573
7.52	1.59	4.73	PINION GEAR	083469	082565	083468	082565	083467	082565	083466	082565
				370101	082566	370101	082566	370101	082566	370101	082566
8.75	1.85	4.73	PINION GEAR	083533	082565	083535	082565	083517	082565	083519	082565
				370102	082566	370102	082566	370102	082566	370102	082566
9.70	2.05	4.73	PINION GEAR	083463	082565	083462	082565	083460	082565	083459	082565
				370104	082566	370104	082566	370104	082566	370104	082566
10.57	2.24	4.73	PINION GEAR	083531	082565	083532	082565	083515	082565	083516	082565
				370103	082566	370103	082566	370103	082566	370103	082566
11.82	2.50	4.73	PINION GEAR	083457	082565	083456	082565	083455	082565	083454	082565
				370105	082566	370105	082566	370105	082566	370105	082566
12.92	2.73	4.73	PINION GEAR	083529	082565	083530	082565	083525	082565	083374	082565
				370106	082566	370106	082566	370106	082566	370106	082566

(1) Pinion shank diameter changes by motor frame size.



QUANTIS ILH SIZE 38
GEARING CHART
DOUBLE REDUCTION

TOTAL RATIO	1st STAGE	2nd STAGE	IEC 63-71D/56C – 9 MM (1)		IEC 80D – 10 MM (1)		IEC 90D/140TC – 12 MM (1)		IEC 100D/180TC – 16 MM (1)	
			1st	2nd	1st	2nd	1st	2nd	1st	2nd
14.18	3.00	4.73	PINION GEAR 083446 370107	082565 082566	PINION GEAR 083444 370107	082565 082566	PINION GEAR 083443 370107	082565 082566	PINION GEAR 083355 370107	082565 082566
15.64	3.31	4.73	PINION GEAR 083528 370108	082565 082566	PINION GEAR 083513 370108	082565 082566	PINION GEAR 083514 370108	082565 082566	PINION GEAR 083352 370108	082565 082566
17.33	3.67	4.73	PINION GEAR 083442 370109	082565 082566	PINION GEAR 083441 370109	082565 082566	PINION GEAR 083440 370109	082565 082566	PINION GEAR 083591 370109	082565 082566
19.64	4.15	4.73	PINION GEAR 083527 370110	082565 082566	PINION GEAR 083512 370110	082565 082566	PINION GEAR 083346 370110	082565 082566	PINION GEAR 083345 370110	082565 082566
21.67	4.58	4.73	PINION GEAR 083439 370111	082565 082566	PINION GEAR 083438 370111	082565 082566	PINION GEAR 083587 370111	082565 082566	PINION GEAR 083486 370111	082565 082566
24.50	5.18	4.73	PINION GEAR 083499 370112	082565 082566	PINION GEAR 083583 370112	082565 082566	PINION GEAR 083582 370112	082565 082566	-----	-----
27.97	5.92	4.73	PINION GEAR 083339 370113	082565 082566	PINION GEAR 083338 370113	082565 082566	PINION GEAR 083337 370113	082565 082566	-----	-----
31.80	6.73	4.73	PINION GEAR 083336 370115	082565 082566	PINION GEAR 083335 370115	082565 082566	PINION GEAR 083334 370115	082565 082566	-----	-----
34.04	7.20	4.73	PINION GEAR 083309 370114	082565 082566	PINION GEAR 083308 370114	082565 082566	PINION GEAR 083307 370114	082565 082566	-----	-----
39.24	8.30	4.73	PINION GEAR 083320 370116	082565 082566	PINION GEAR 083319 370116	082565 082566	-----	-----	-----	-----
44.12	9.33	4.73	PINION GEAR 083316 370117	082565 082566	-----	082565 082566	-----	-----	-----	-----

(1) Pinion shank diameter changes by motor frame size.



RENEWAL PARTS DATA

QUANTIS ILH SIZE 38

TRIPLE REDUCTION

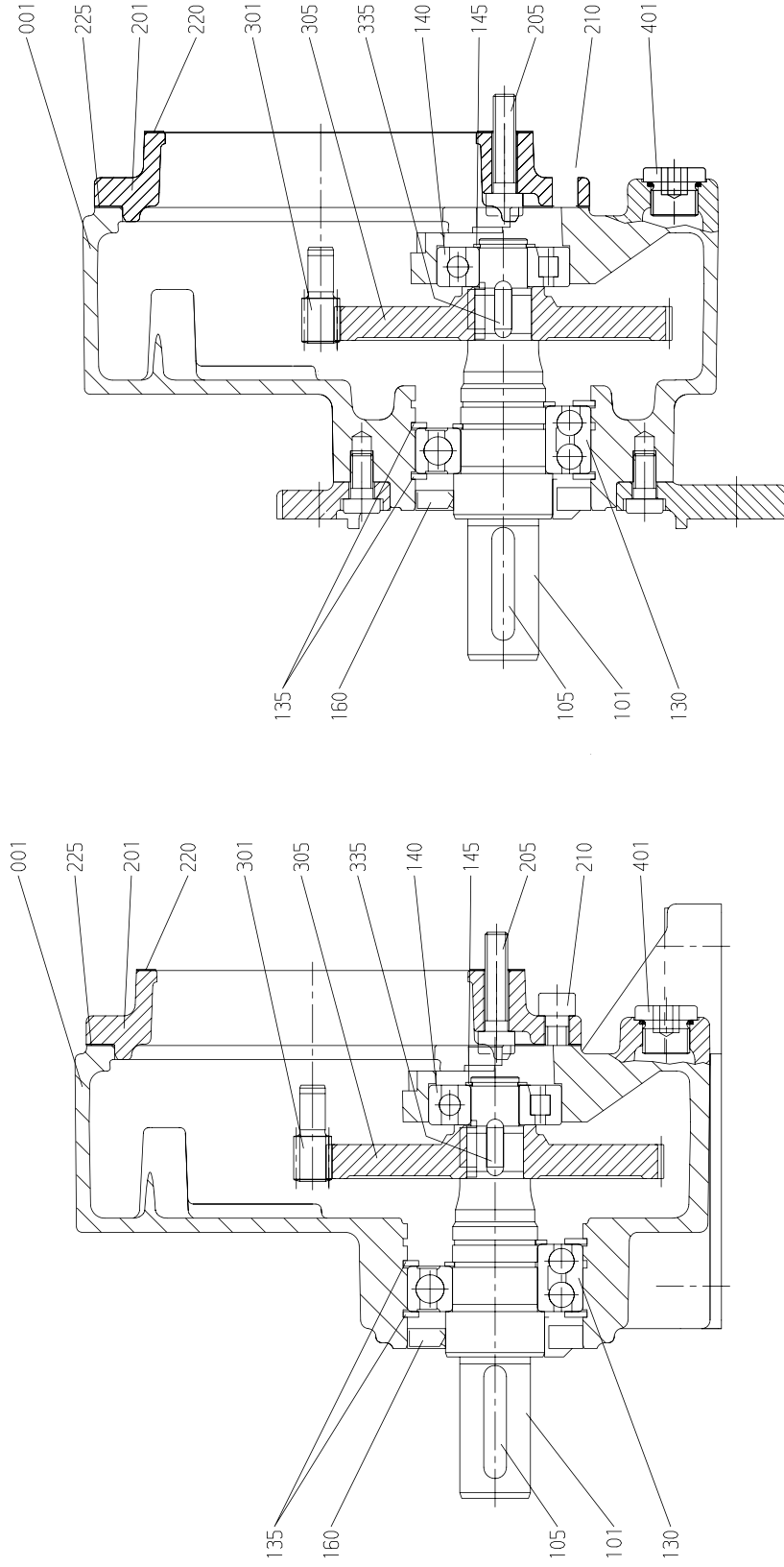
GEARING CHART

TOTAL RATIO	1st STAGE	2nd STAGE	3rd STAGE		IEC 63-71D/56C – 9 MM (1)			IEC 80D – 10 MM (1)			IEC 90D/140TC – 12 MM (1)		
					1st	2nd	3rd	1st	2nd	3rd	1st	2nd	3rd
30.73	1.32	4.93	4.73	PINION GEAR	083469	082574	082565	083468	082574	082565	083467	082574	082565
					083431	082575	082566	083431	082575	082566	083431	082575	082566
33.81	1.45	4.93	4.73	PINION GEAR	083533	082574	082565	083535	082574	082565	083517	082574	082565
					083424	082575	082566	083424	082575	082566	083424	082575	082566
39.26	1.68	4.93	4.73	PINION GEAR	083463	082574	082565	083462	082574	082565	083460	082574	082565
					083417	082575	082566	083417	082575	082566	083417	082575	082566
42.53	1.82	4.93	4.73	PINION GEAR	083531	082574	082565	083532	082574	082565	083515	082574	082565
					083384	082575	082566	083384	082575	082566	083384	082575	082566
48.10	2.06	4.93	4.73	PINION GEAR	083457	082574	082565	083456	082574	082565	083455	082574	082565
					083409	082575	082566	083409	082575	082566	083409	082575	082566
52.86	2.27	4.93	4.73	PINION GEAR	083529	082574	082565	083530	082574	082565	083525	082574	082565
					083378	082575	082566	083378	082575	082566	083378	082575	082566
58.30	2.50	4.93	4.73	PINION GEAR	083446	082574	082565	083444	082574	082565	083443	082574	082565
					083359	082575	082566	083359	082575	082566	083359	082575	082566
64.56	2.77	4.93	4.73	PINION GEAR	083528	082574	082565	083513	082574	082565	-----	-----	-----
					083357	082575	082566	083357	082575	082566	-----	-----	-----
71.89	3.08	4.93	4.73	PINION GEAR	083442	082574	082565	083441	082574	082565	-----	-----	-----
					083592	082575	082566	083592	082575	082566	-----	-----	-----
82.50	3.54	4.93	4.73	PINION GEAR	083527	082574	082565	-----	-----	-----	-----	-----	-----
					083347	082575	082566	-----	-----	-----	-----	-----	-----
91.34	3.92	4.93	4.73	PINION GEAR	083439	082574	082565	-----	-----	-----	-----	-----	-----
					083588	082575	082566	-----	-----	-----	-----	-----	-----
103.88	4.45	4.93	4.73	PINION GEAR	083499	082574	082565	-----	-----	-----	-----	-----	-----
					083581	082575	082566	-----	-----	-----	-----	-----	-----
118.52	5.08	4.93	4.73	PINION GEAR	083339	082574	082565	-----	-----	-----	-----	-----	-----
					083342	082575	082566	-----	-----	-----	-----	-----	-----
133.54	5.73	4.93	4.73	PINION GEAR	083336	082574	082565	-----	-----	-----	-----	-----	-----
					083340	082575	082566	-----	-----	-----	-----	-----	-----
149.23	6.40	4.93	4.73	PINION GEAR	083309	082574	082565	-----	-----	-----	-----	-----	-----
					083310	082575	082566	-----	-----	-----	-----	-----	-----
170.22	7.30	4.93	4.73	PINION GEAR	083320	082574	082565	-----	-----	-----	-----	-----	-----
					083322	082575	082566	-----	-----	-----	-----	-----	-----
191.72	8.22	4.93	4.73	PINION GEAR	083316	082574	082565	-----	-----	-----	-----	-----	-----
					083317	082575	082566	-----	-----	-----	-----	-----	-----

(1) Pinion shank diameter changes with motor frame.



RENEWAL PARTS DATA



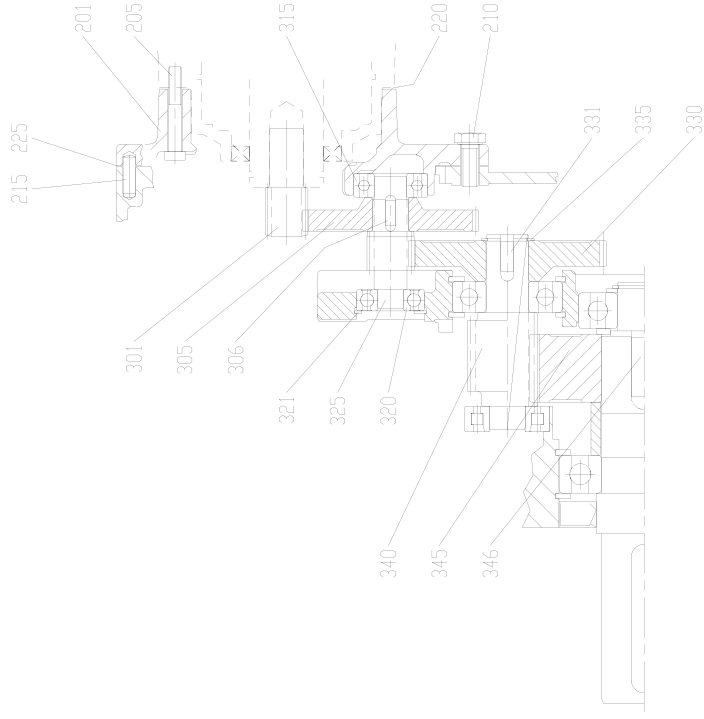
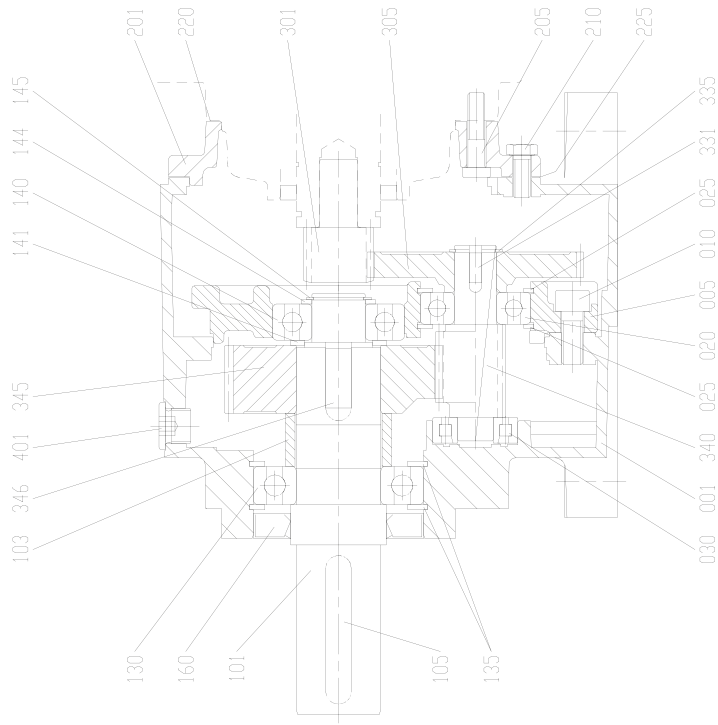
DODGE QUANTIS 1LH PARALLEL REDUCER	
SINGLE REDUCTION SIZE 48	
FOOTED (HF) & FLANGED (FF) HOUSINGS	
DRAWING NUMBER	
212934 & 212941	
FLANGED	

INLINE HELICAL ILH HB-HF481 PARTS LIST			
Position No.	Quantity	Part Number	Description
001	1 or 0	366408	E48 HOUSING - FOOTED
001	1 or 0	366422	EZ48 HOUSING - FLANGED
040	1 or 0	093847	OUTPUT FLANGE 180TC
040	1 or 0	082533	OUTPUT FLANGE 160MM
040	1 or 0	082535	OUTPUT FLANGE 200MM
045	1 or 0	021358	FLANGE MOUNTING BOLTS
101	1 or 0	093774	OUTPUT SHAFT 1-1/8 X 2.74
101	1 or 0	366355	OUTPUT SHAFT 25x50 MM
105	1 or 0	051583	KEY (for 25x50MM SHAFT)
105	1 or 0	333695	KEY (for 1-1/8 x 2.74 SHAFT)
130	1 or 0	016223	BEARING - STANDARD
130	1 or 0	011630	BEARING - HEAVY DUTY
135	2	278701	RETAINING RING INT
136	1	051284	SNAP RING EXTERNAL
140	1 or 0	07914703D	BALL BRG - STANDARD
140	1 or 0	716944	BEARING - HEAVY DUTY
145	1	278708	SNAP RING EXT
160	1	011548	OUTPUT SEAL
201	1 or 0	366233	Z48 ADAPTER PLATE 71-100/56C-140TC
201	1 or 0	082418	ADAPTER PLATE 112 - 180TC
205	4 or 0	053757	SHCSCREW (71-100 & 56C-140TC)
205	4 or 0	050831	BOLT (112 - 180TC ADPT)
210	8	050826	BOLT M8X20
220	1 or 0	083277	GASKET 220 (71-100 & 56C-140TC)
220	1 or 0	083278	GASKET 220 (112 ADAPTER)
225	1	083273	GASKET 112 - 180TC
335	1	441791	KEY
401	1	083868	PIPE PLUG
405	1 or 0	084455	OIL SIGHT GLASS (OPTIONAL)
420	1 or 0	186468	BREATHER - NOT SHOWN
	1 or 0	094630	WASHDOWN BREATHER KIT - OPTIONAL

**QUANTIS ILH481
SINGLE REDUCTION GEAR CHART**

Ratio		56C-71 9 MM (1)	80 10 MM (1)	140TC-90 12 MM (1)	180TC-100 16 MM (1)	112 18 MM (1)
1.52	Pinion	-----	083506	083505	083504	083503
	Gear	-----	083511	083511	083511	083511
1.83	Pinion	-----	083537	083522	083523	083524
	Gear	-----	083479	083479	083479	083479
2.15	Pinion	-----	083536	083520	083521	083473
	Gear	-----	083474	083474	083474	083474
2.41	Pinion	083469	083468	083467	083466	083465
	Gear	083433	083433	083433	083433	083433
2.70	Pinion	083533	083535	083517	083519	083436
	Gear	083426	083426	083426	083426	083426
2.95	Pinion	083463	083462	083460	083459	083458
	Gear	083419	083419	083419	083419	083419
3.24	Pinion	083531	083532	083515	083516	083377
	Gear	083366	083366	083366	083366	083366
3.56	Pinion	083457	083456	083455	083454	083408
	Gear	083412	083412	083412	083412	083412
3.87	Pinion	083529	083530	083525	083374	083373
	Gear	083381	083381	083381	083381	083381
4.21	Pinion	083346	083444	083443	083355	083354
	Gear	083370	083370	083370	083370	083370
4.62	Pinion	083528	083513	083514	083352	083351
	Gear	083369	083369	083369	083369	083369
5.08	Pinion	083442	083441	083340	083591	083590
	Gear	083331	083331	083331	083331	083331
5.85	Pinion	083527	083512	083346	083345	-----
	Gear	083368	083368	083368	083368	-----
6.33	Pinion	083439	083438	083587	083586	-----
	Gear	083365	083365	083365	083365	-----
7.00	Pinion	083499	083583	083582	083580	-----
	Gear	083363	083363	083363	083363	-----
8.17	Pinion	083339	083338	083337	-----	-----
	Gear	083367	083367	083367	-----	-----
9.09	Pinion	083336	083335	083334	-----	-----
	Gear	083366	083366	083366	-----	-----
10.00	Pinion	083309	083308	083307	-----	-----
	Gear	083362	083362	083362	-----	-----
11.30	Pinion	083320	083319	-----	-----	-----
	Gear	083361	083361	-----	-----	-----

(1) Pinion shank diameter changes by motor frame size.



DODGE QUANTIS ILM PARALLEL REDUCER	
DOUBLE & TRIPLE REDUCTION	
SIZE ILM4R-3	
REVISION NUMBER 085622	
DODGE	

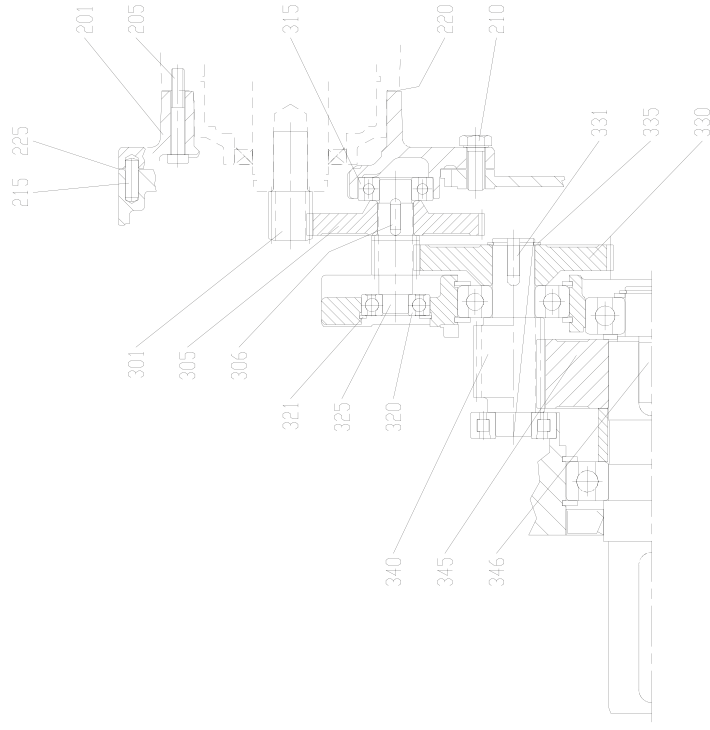
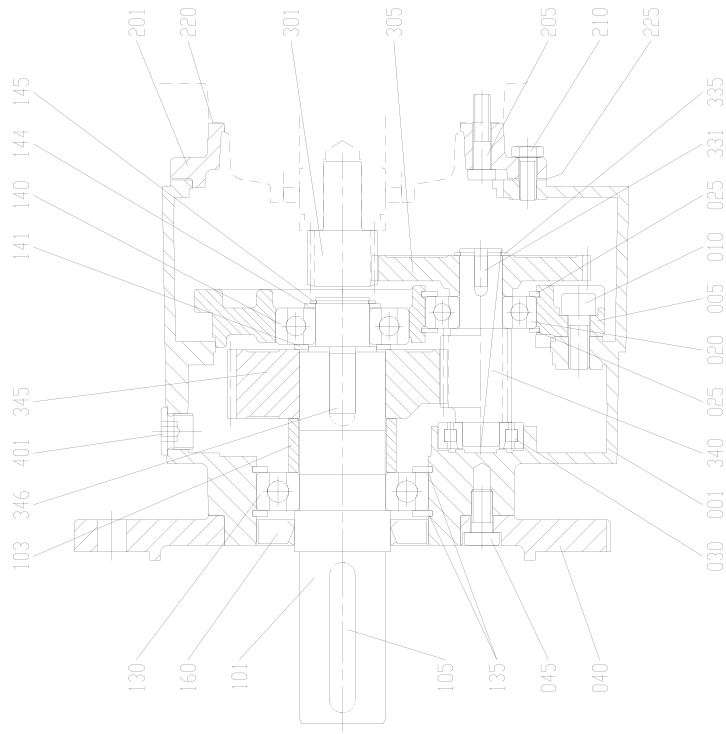
IN LINE HELICAL ILH HB482-3			Parts List for Helical Gear Units
Positions-Nr.	Quantity	Part Number	Component Designation
001	1	094028	Gearcase - HB48 (1)
005	1	082994	Center Plate (1)
010	4	083297	M10 x 25-10.9 Bolt to attach Center Plate
020	1	07914703CY	Ball bearing (in 005)
025	2	051306	Retaining Ring (to 020,bore)
030	1	082986	Cylindrical Bearing (opposite 020) - NJ203E
050	1	087681	Cover Plate (1)
051	8	980673	Cap Screws
055	1	087663	Gasket, Cover Plate
101	1 or 0	087904	Output shaft - 30 x 60 mm (2)
101	1 or 0	087905	Output shaft - 40 x 80 mm (2)
101	1 or 0	087906	Output shaft - 1.25 x 2.36" (2)
101	1 or 0	087907	Output shaft - 1.625 x 3.15" (2)
103	1	082561	Sleeve (Gear 345 - Bearing 130)
105	1 or 0	051585	Key (shaft end) 8 x 7 x 50 for 30 x 60mm shaft
105	1 or 0	048542	Key (shaft end) 12 x 8 x 70 for 40 x 80mm shaft
105	1 or 0	105807	Key (shaft end) 1/4 x 1/4 x 2 for 1.25" x 2.36" shaft
105	1 or 0	086655	Key (shaft end) 3/8 x 3/8 x 2-3/4 for 1.625" x 3.15" shaft
130	1	048158	Ball bearing (output side)
135	2	278715	Retaining Ring (to 130,bore)
140	1	07914703G	Ball Bearing (opposite 130) - 6305
141	1	087917	Supporting ring (to 140,shaft, gear side) (3)
144	1	093799	Washer (between 140/145)
144B	As Req'd	071750	Shim 25 x 35 x 0.1 (NOT SHOWN)
144B	As Req'd	085524	Shim 25 x 35 x 0.15 (NOT SHOWN)
145	1	051280	Retaining Ring (to 140,shaft)
160	1	082985	Output Seal
201	1 or 0	366233	Adapter plate - HB482 - Frames 71-100 (NEMA 56-140) (4)
201	1 or 0	082418	Adapter plate - HB482 - Frame 112 - 180TC
201	1 or 0	086289	Adapter plate - HB483 - Frames 71-100 (NEMA 56-140) (4)
201	1 or 0	094072	Adapter plate - HB483 - Frames 112 - 180TC
205	4 or 0	093839	M6 x 25-8.8 Bolt (Adapter plate to motor) - HB482 - Frames 71-100 (NEMA 56-140) (4)
205	4 or 0	050831	M8 x 35-8.8 Bolt (Adapter plate to motor) - HB482 - Frame 112 - 180TC (4)
205	3 or 0	050817	M6 x 40-8.8 Bolt (Adapter plate to motor) - HB483 - Frame 71-100 (NEMA 56-140) (4)
205	1 or 0	050821	M6 x 55 SHCS (Adapter plate to motor) - HB483 Frame 71-100/56C-140TC)
205	4 or 0	094453	M8 x 50 SHCS (Adapter plate to motor) - HB483 Frame 112 - 180TC
210	8	050826	M8 x 20 -8.8 Bolt (to gear unit)
215	1 or 0	051499	Dowel Pin (3 Stage Only)
220	1 or 0	083277	Gasket (Between adapter plate and input group) - Frames 71-100 (NEMA 56-140) (4)
220	1 or 0	083278	Gasket (Between adapter plate and input group) - Frame 112 - 180TC
225	1	083273	Gasket (Between adapter plate and gearcase)
301	1	See Chart	Shank pinion
305	1	See Chart	Gear
306	1	441775	Key (to 305)
315	1	037849	Ball bearing (in adapter plate)
320	1	011662	Ball bearing (in center plate)
321	1	051287	Retaining Ring (to 320,bore)
325	1 or 0	082580	Pinion shaft Triple Stage Ratio: 4.928
330	1 or 0	082581	Gear Triple Stage Ratio: 4.928
331	1	441791	Key (to 330)
335	1	278710	Retaining Ring (to 330)
340	1 or 0	082576	Pinion shaft Output Ratio: 4.538
340	1 or 0	082578	Pinion shaft Output Ratio: 2.818
345	1 or 0	082577	Gear Output Ratio: 4.538
345	1 or 0	082579	Gear Output Ratio: 2.818
346	1	392936	Key (to 345)
401	1	083868	Pipe Plug
405	1 or 0	084455	Oil sight glass (OPTIONAL - NOT SHOWN)
420	1 or 0	186468	Breather (NOT SHOWN)
	1 or 0	094630	Washdown Breather Kit - Optional

(1) Original reducers were solid housing with bolt-in center plate. Housing redesigned in 2000 to have bolt on cover plate and cast in center plate. Order housing and cover plate to replace original design.

(2) When replacing shaft supplied with original solid housing also order #141 shaft spacer.

(3) Used for gearcase with bolt on access cover. Solid gearcase with old style shaft uses 390771.

(4) Also used for 180TC input until design change Feb 2005. At that time 180TC changed to use 112 adpt plate(201) & hardware.



DODGE QUANTIS 3LH PARALLEL REDUCER	
DOUBLE REDUCTION	
SIZE 144B-25	
PART NUMBER 085623	
DODGE	

IN LINE HELICAL ILH HF48			Parts List for Helical Gear Units
Positions-Nr.	Quantity	Part Number	Component Designation
001	1	087527	Gearcase - HF48 (1)
005	1	082994	Center Plate (1)
010	4	083297	M10 x 25-10.9 Bolt to attach Center Plate
020	1	07914703CY	Ball bearing (in 005)
025	2	051306	Retaining Ring (to 020,bore)
030	1	082986	Cylindrical Bearing (opposite 020) - NJ203E
040	1 or 0	082540	Output Flange - 200mm - B5 (Fig 2)
040	1 or 0	082542	Output Flange - 250mm - B5 (Fig 2)
050	1	087681	Cover Plate (1)
051	8	980673	Cap Screws (1)
055	1	087663	Gasket. Cover Plate (1)
045	4	175520	M10 x 20-8.8 Bolt (to 040)
101	1 or 0	087904	Output shaft - 30 x 60 mm
101	1 or 0	087905	Output shaft - 40 x 80 mm
101	1 or 0	087906	Output shaft - 1.25 x 2.36"
101	1 or 0	087907	Output shaft - 1.625 x 3.15"
103	1	082561	Sleeve (Gear 345 - Bearing 130)
105	1 or 0	051585	Key (shaft end) 8 x 7 x 50 for 30 x 60mm shaft
105	1 or 0	048542	Key (shaft end) 12 x 8 x 70 for 40 x 80mm shaft
105	1 or 0	105807	Key (shaft end) 1/4 x 1/4 x 2 for 1.25" x 2.36" shaft
105	1 or 0	086655	Key (shaft end) 3/8 x 3/8 x 2-3/4 for 1.625" x 3.15" shaft
130	1	048158	Ball bearing (output side)
135	2	278715	Retaining Ring (to 130,bore)
140	1	07914703G	Ball Bearing (opposite 130)
141	1	087917	Supporting ring (to 140,shaft, gear side) (3)
144	1	093799	Washer (between 140/145)
144B	As Req'd	071750	Shim 25 x 35 x 0.1 (NOT SHOWN)
144B	As Req'd	085524	Shim 25 x 35 x 0.15 (NOT SHOWN)
145	1	051280	Retaining Ring (to 140,shaft)
160	1	082985	Output Seal
201	1 or 0	366233	Adapter plate - HF482 - Frames 71-100 (NEMA 56-140) (4)
201	1 or 0	082418	Adapter plate - HF482 - Frame 112 - 180TC
201	1 or 0	086289	Adapter plate - HF483 - Frames 71-100 (NEMA 56-140) (4)
201	1 or 0	094072	Adapter plate - HF483 - Frames - 112 - 180TC
205	4 or 0	093839	M6 x 25-8.8 Bolt (Adapter plate to motor) - HF482 - Frames 71-100 (NEMA 56-140) (4)
205	4 or 0	050831	M8 x 35-8.8 Bolt (Adapter plate to motor) - HF482 - Frame 112 - 180TC
205	3 or 0	050817	M6 x 40-8.8 Bolt (Adapter plate to motor) - HF483 - Frame 71-100 (NEMA 56-140) (4)
205	1 or 0	050821	M6 x 66 SHCS (Adapter plate to motor) - HB483 Frame 71-100/56C-140TC
205	4 or 0	094453	M8 x 50 SHCS (Adapter plate to motor) - HB483 Frame 112 - 180TC
210	8	050826	M8 x 20 -8.8 Bolt (to gear unit)
215	1 or 0	051499	Dowel Pin (3 Stage Only)
220	1 or 0	083277	Gasket (Between adapter plate and input group) - Frames 71-100 (NEMA 56-140) (4)
220	1 or 0	083278	Gasket (Between adapter plate and input group) - Frame 112 - 180TC
225	1	083273	Gasket (Between adapter plate and gearcase)
301	1	See Chart	Shank pinion
305	1	See Chart	Gear
306	1	441775	Key (to 305)
315	1	037849	Ball bearing (in adapter plate)
320	1	011662	Ball bearing (in center plate)
321	1	051287	Retaining Ring (to 320,bore)
325	1 or 0	082580	Pinion shaft Triple Stage Ratio: 4.928
330	1 or 0	082581	Gear Triple Stage Ratio: 4.928
331	1	441791	Key (to 330)
335	1	278710	Retaining Ring (to 330)
340	1 or 0	082576	Pinion shaft Output Ratio: 4.538
340	1 or 0	082578	Pinion shaft Output Ratio: 2.818
345	1 or 0	082577	Gear Output Ratio: 4.538
345	1 or 0	082579	Gear Output Ratio: 2.818
346	1	392936	Key (to 345)
401	1	083868	Pipe Plug
405	1 or 0	084455	Oil sight glass (OPTIONAL - NOT SHOWN)
420	1 or 0	186468	Breather (NOT SHOWN)
	1 or 0	094630	Washdown Breather Kit - Optional

(1) Original reducers were solid housing with bolt-in center plate. Housing redesigned in 2000 to have bolt on cover plate and cast in center plate. Order housing and cover plate to replace original design.

(2) When replacing shaft supplied with original solid housing also order #141 shaft spacer.

(3) Used for gearcase with bolt on access cover. Solid gearcase with old style shaft uses 390771.

(4) Also used for 180TC input until design change Feb 2005. At that time 180TC changed to use 112 adpt plate(201) & hardware.



RENEWAL PARTS DATA

QUANTIS ILH SIZE 48

GEARING CHART

DOUBLE REDUCTION

TOTAL RATIO	1st STAGE	2nd STAGE		IEC 63-71D/56C – 9 MM (1)		IEC 80D – 10 MM (1)		IEC 90D/140TC – 12 MM (1)		IEC 100D/180TC – 16 MM (1)		IEC 112D – 18 MM (1)	
				1st	2nd	1st	2nd	1st	2nd	1st	2nd	1st	2nd
4.28	1.52	2.82	PINION GEAR	----	----	083506	082578	083505	082578	083504	082578	083503	082578
5.15	1.83	2.82	PINION GEAR	----	----	083511	082579	083511	082579	083511	082579	083511	082579
6.06	2.15	2.82	PINION GEAR	----	----	083537	082578	083522	082578	083523	082578	083524	082578
6.79	2.41	2.82	PINION GEAR	083469	082578	083474	082579	083474	082579	083474	082579	083474	082579
6.90	1.52	4.54	PINION GEAR	083433	082579	083433	082579	083433	082579	083433	082579	083433	082579
8.29	1.83	4.54	PINION GEAR	----	----	083506	082576	083505	082576	083504	082576	083503	082576
9.76	2.15	4.54	PINION GEAR	083511	082577	083511	082577	083511	082577	083511	082577	083511	082577
10.93	2.41	4.54	PINION GEAR	083537	082576	083474	082577	083522	082576	083523	082576	083524	082576
12.25	2.70	4.54	PINION GEAR	083479	082577	083479	082577	083479	082577	083479	082577	083479	082577
13.37	2.95	4.54	PINION GEAR	083536	082576	083536	082576	083520	082576	083521	082576	083473	082576
14.68	3.24	4.54	PINION GEAR	083474	082577	083474	082577	083474	082577	083474	082577	083474	082577
			PINION GEAR	083468	082576	083468	082576	083467	082576	083466	082576	083465	082576
			PINION GEAR	083433	082577	083433	082577	083433	082577	083433	082577	083433	082577
			PINION GEAR	083533	082576	083535	082576	083517	082576	083519	082576	083436	082576
			PINION GEAR	083426	082577	083426	082577	083426	082577	083426	082577	083426	082577
			PINION GEAR	083463	082576	083462	082576	083460	082576	083459	082576	083458	082576
			PINION GEAR	083419	082577	083419	082577	083419	082577	083419	082577	083419	082577
			PINION GEAR	083531	082576	083532	082576	083515	082576	083516	082576	083377	082576
			PINION GEAR	083386	082577	083386	082577	083386	082577	083386	082577	083386	082577

(1) Pinion shank diameter changes by motor frame size.



QUANTIS ILH SIZE 48

GEARING CHART

DOUBLE REDUCTION

TOTAL RATIO	1st STAGE	2nd STAGE		IEC 63-71D/56C – 9 MM (1)		IEC 80D – 10 MM (1)		IEC 90D/140TC – 12 MM (1)		IEC100D/180TC – 16 MM (1)		IEC 112D – 18 MM (1)	
				1st	2nd	1st	2nd	1st	2nd	1st	2nd	1st	2nd
16.17	3.56	4.54	PINION GEAR	083457 083412	082576 082577	083456 083412	082576 082577	083455 083412	082576 082577	083454 083412	082576 082577	083408 083412	082576 082577
17.55	3.87	4.54	PINION GEAR	083529 083381	082576 082577	083530 083381	082576 082577	083525 083381	082576 082577	083374 083381	082576 082577	083373 083381	082576 082577
19.12	4.21	4.54	PINION GEAR	083346 083370	082576 082577	083444 083370	082576 082577	083443 083370	082576 082577	083355 083370	082576 082577	083354 083370	082576 082577
20.94	4.62	4.54	PINION GEAR	083528 083369	082576 082577	083513 083369	082576 082577	083514 083369	082576 082577	083352 083369	082576 082577	083351 083369	082576 082577
23.07	5.08	4.54	PINION GEAR	083442 083331	082576 082577	083441 083331	082576 082577	083340 083331	082576 082577	083359 083331	082576 082577	-----	-----
26.53	5.85	4.54	PINION GEAR	083527 083368	082576 082577	083512 083368	082576 082577	083346 083368	082576 082577	083345 083368	082576 082577	-----	-----
28.74	6.33	4.54	PINION GEAR	083439 083365	082576 082577	083438 083365	082576 082577	083587 083365	082576 082577	083586 083365	082576 082577	-----	-----
31.77	7.00	4.54	PINION GEAR	083499 083363	082576 082577	083583 083363	082576 082577	083582 083363	082576 082577	083580 083363	082576 082577	-----	-----
37.06	8.17	4.54	PINION GEAR	083339 083367	082576 082577	083338 083367	082576 082577	083337 083367	082576 082577	-----	-----	-----	-----
41.26	9.09	4.54	PINION GEAR	083336 083366	082576 082577	083335 083366	082576 082577	083334 083366	082576 082577	-----	-----	-----	-----
45.38	10.00	4.54	PINION GEAR	083309 083362	082576 082577	083308 083362	082576 082577	083307 083362	082576 082577	-----	-----	-----	-----
51.28	11.30	4.54	PINION GEAR	083320 083361	082576 082577	083319 083361	082576 082577	-----	-----	-----	-----	-----	-----

(1) Pinion shank diameter changes by motor frame size.



RENEWAL PARTS DATA

QUANTIS ILH SIZE 48

GEARING CHART

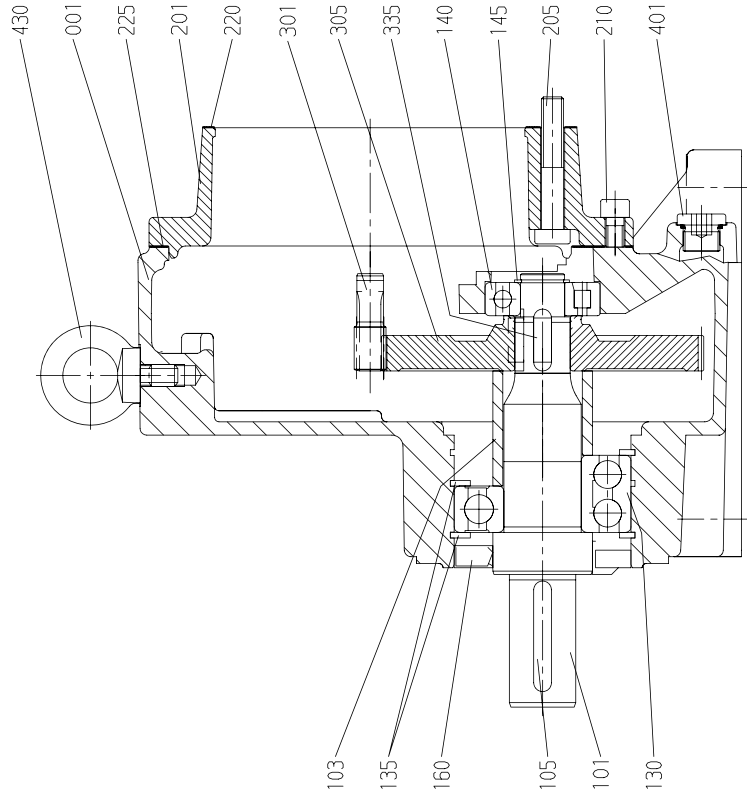
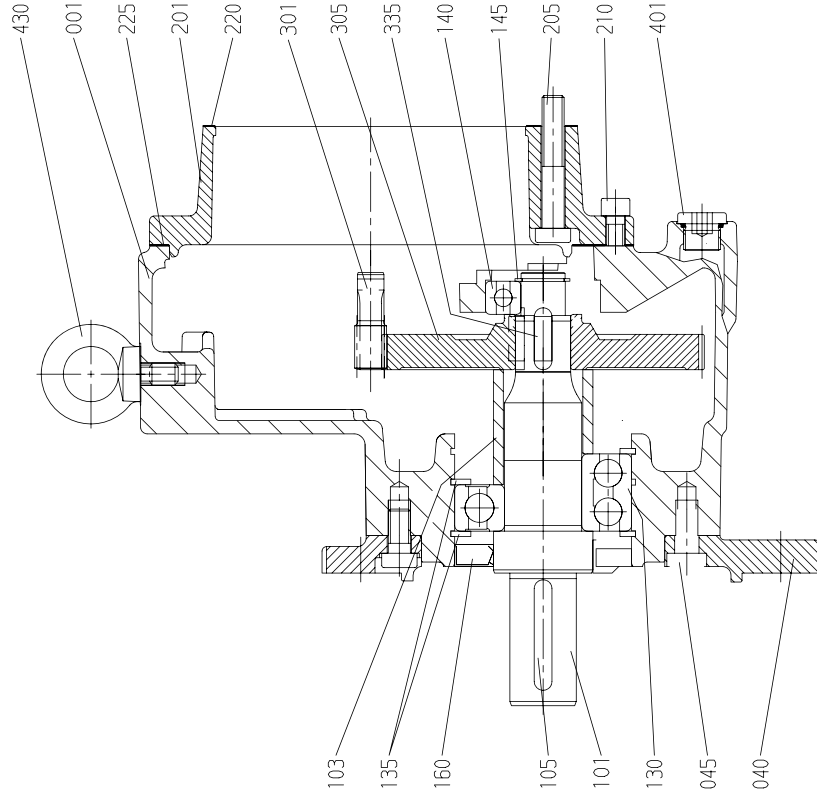
TRIPLE REDUCTION

TOTAL RATIO	1st STAGE	2nd STAGE	3rd STAGE		IEC 63-71D/56C – 9 MM (1)			IEC 80D – 10 MM (1)			IEC 90D/140TC – 12 MM (1)			IEC100D/180TC – 16 MM (1)		
					1st	2nd	3rd	1st	2nd	3rd	1st	2nd	3rd	1st	2nd	3rd
35.58	1.59	4.93	4.54	PINION GEAR	083469	082580	082576	083468	082580	082576	083467	082580	082576	083466	082580	082576
				GEAR	083432	082581	082577	083432	082581	082577	083432	082581	082577	083432	082581	082577
41.37	1.85	4.93	4.54	PINION GEAR	083533	082580	082576	083535	082580	082576	083517	082580	082576	083519	082580	082576
				GEAR	083425	082581	082577	083425	082581	082577	083425	082581	082577	083425	082581	082577
45.91	2.05	4.93	4.54	PINION GEAR	083463	082580	082576	083462	082580	082576	083460	082580	082576	083459	082580	082576
				GEAR	083418	082581	082577	083418	082581	082577	083418	082581	082577	083418	082581	082577
49.98	2.24	4.93	4.54	PINION GEAR	083531	082580	082576	083532	082580	082576	083515	082580	082576	083515	082580	082576
				GEAR	083385	082581	082577	083385	082581	082577	083385	082581	082577	083385	082581	082577
55.91	2.50	4.93	4.54	PINION GEAR	083457	082580	082576	083456	082580	082576	083455	082580	082576	083455	082580	082576
				GEAR	083411	082581	082577	083411	082581	082577	083411	082581	082577	083411	082581	082577
61.12	2.73	4.93	4.54	PINION GEAR	083529	082580	082576	083530	082580	082576	083525	082580	082576	083525	082580	082576
				GEAR	083379	082581	082577	083379	082581	082577	083379	082581	082577	083379	082581	082577
67.09	3.00	4.93	4.54	PINION GEAR	083446	082580	082576	083444	082580	082576	083443	082580	082576	083443	082580	082576
				GEAR	083360	082581	082577	083360	082581	082577	083360	082581	082577	083360	082581	082577
73.98	3.31	4.93	4.54	PINION GEAR	083528	082580	082576	083513	082580	082576	083514	082580	082576	083514	082580	082576
				GEAR	083358	082581	082577	083358	082581	082577	083358	082581	082577	083358	082581	082577
82.00	3.67	4.93	4.54	PINION GEAR	083442	082580	082576	083441	082580	082576	083440	082580	082576	083440	082580	082576
				GEAR	083315	082581	082577	083315	082581	082577	083315	082581	082577	083315	082581	082577
92.90	4.15	4.93	4.54	PINION GEAR	083527	082580	082576	083512	082580	082576	083512	082580	082576	083512	082580	082576
				GEAR	083349	082581	082577	083349	082581	082577	083349	082581	082577	083349	082581	082577
102.49	4.58	4.93	4.54	PINION GEAR	083439	082580	082576	083438	082580	082576	083438	082580	082576	083438	082580	082576
				GEAR	083314	082581	082577	083314	082581	082577	083314	082581	082577	083314	082581	082577
115.89	5.18	4.93	4.54	PINION GEAR	083499	082580	082576	083583	082580	082576	083582	082580	082576	083582	082580	082576
				GEAR	083312	082581	082577	083312	082581	082577	083312	082581	082577	083312	082581	082577
132.32	5.92	4.93	4.54	PINION GEAR	083339	082580	082576	083338	082580	082576	083337	082580	082576	083337	082580	082576
				GEAR	083343	082581	082577	083343	082581	082577	083343	082581	082577	083343	082581	082577
150.44	6.73	4.93	4.54	PINION GEAR	083336	082580	082576	083335	082580	082576	083334	082580	082576	083334	082580	082576
				GEAR	083341	082581	082577	083341	082581	082577	083341	082581	082577	083341	082581	082577
161.02	7.20	4.93	4.54	PINION GEAR	083309	082580	082576	083308	082580	082576	083308	082580	082576	083308	082580	082576
				GEAR	083311	082581	082577	083311	082581	082577	083311	082581	082577	083311	082581	082577
185.62	8.30	4.93	4.54	PINION GEAR	083320	082580	082576	083319	082580	082576	083319	082580	082576	083319	082580	082576
				GEAR	083323	082581	082577	083323	082581	082577	083323	082581	082577	083323	082581	082577
208.72	9.33	4.93	4.54	PINION GEAR	083316	082580	082576	083316	082580	082576	083316	082580	082576	083316	082580	082576
				GEAR	083318	082581	082577	083318	082581	082577	083318	082581	082577	083318	082581	082577

(1) Pinion shank diameter changes by motor frame size.



RENEWAL PARTS DATA



DODGE QUANTIS 1LH PARALLEL REDUCER	
SINGLE REDUCTION SIZE 48	
FOOTED (HF) & FLANGED (HF) HOUSINGS	
DRAWING NUMBER	
212935 & 212942	
FLANGED	

INLINE HELICAL ILH HB-HF681			PARTS LIST
Position No.	Quantity	Part Number	Description
001	1 or 0	366410	E68 HOUSING - FOOTED
001	1 or 0	366424	EZ68 HOUSING - FLANGED
040	1 or 0	093848	OUTPUT FLANGE - B5 - 210TC
040	1 or 0	082540	OUTPUT FLANGE - B5 - 200MM
040	1 or 0	082542	OUTPUT FLANGE - B5 - 250MM
045	4 or 0	085661	M10 X 25 LHCS 210TC FLANGE
045	4 or 0	175520	M10 X 20 LHCS 200 - 250MM FLANGE
101	1 or 0	093775	E/EF68 OUTPUT SHAFT 1-3/8x3.37
101	1 or 0	366356	E/EF68 OUTPUT SHAFT 30 x 60MM
103	1 or 0	366437	E68 O/P SHAFT SPACER - STANDARD
103	1 or 0	336438	O/P SHAFT SPACER - HEAVY DUTY BRGS
105	1 or 0	333705	KEY (1-3/8x3.37 SHAFT)
105	1 or 0	51585	KEY (30x60MM SHAFT)
130	1 or 0	07914703DA	BEARING - STANDARD
130	1 or 0	716952	BEARING CYL - HEAVY DUTY
135	2	278715	RETAINING RING
140	1 or 0	07914703CY	BEARING - STANDARD
140	1 or 0	011645	BEARING - HEAVY DUTY
145	1	278710	RETAINING RING
160	1	082985	OUTPUT SEAL
201	1 or 0	082522	ADAPTER PLATE (71-100/56C-140TC)
201	1 or 0	082420	ADAPTER PLATE (112-180TC)
201	1 or 0	082428	ADAPTER PLATE (132 - 210TC)
205	4 or 0	094033	M6 x 22 SHCS (71-90/56C - 140TC)
205	4 or 0	093853	M8 X 25 SHCS (112-180TC)
205	4	129854	M10 X 60 LHCS (132 - 210TC)
210	8	093853	M8 X 25 SHCS
220	1 or 0	083277	GASKET (71-100/56C - 140TC)
220	1 or 0	083278	GASKET (112-180TC)
220	1 or 0	083279	GASKET (132 - 210TC)
225	1	083519	GASKET
335	1	051574	HARDENED KEY
401	4	083868	PIPE PLUG
430	1	050979	EYE BOLT M10
	1 or 0	186468	BREATHER - STANDARD (NOT SHOWN)
	1 or 0	094631	WASHDOWN BREATHER KIT - OPTIONAL

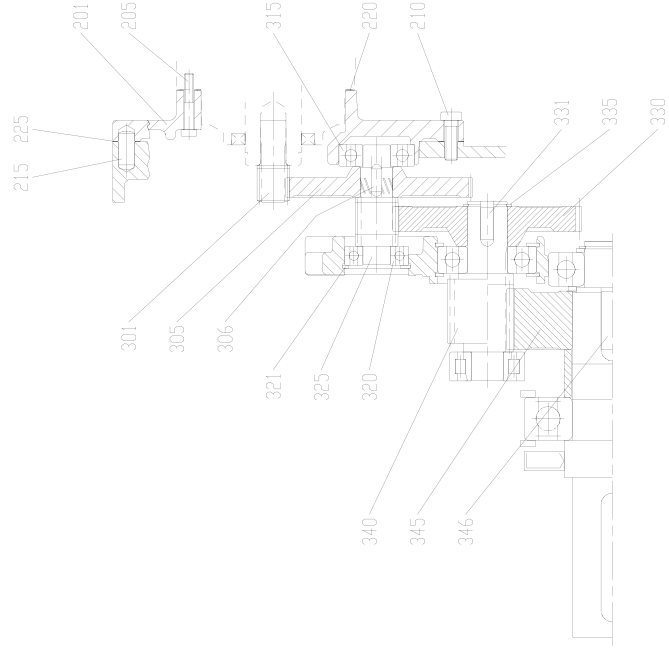
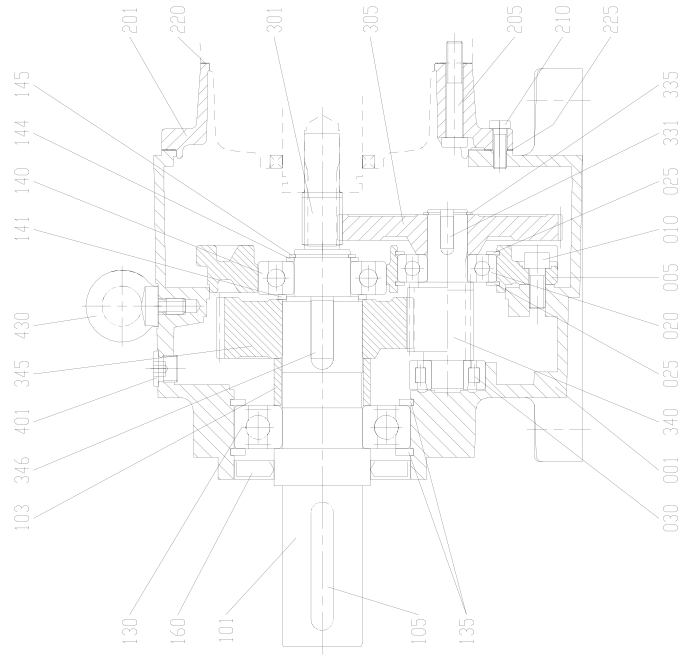
**QUANTIS ILH681
SINGLE REDUCTION GEAR CHART**

Ratio		56C-71 9 MM (1)	80 10 MM (1)	140TC-90 12 MM (1)	180TC-100 16 MM (1)	112 18 MM (1)	210TC-132 22 MM (1)
1.41	Pinion	-----	-----	-----	083450	083449	083448
	Gear	-----	-----	-----	083451	083451	083451
1.70	Pinion	-----	-----	-----	083540	083541	083543
	Gear	-----	-----	-----	083538	083438	083538
2.04	Pinion	-----	083506	083505	083504	083503	083502
	Gear	-----	083510	083510	083510	083510	083510
2.39	Pinion	-----	083537	083522	083523	083524	083478
	Gear	-----	083480	083480	083480	083480	083480
2.85	Pinion	-----	083536	083520	083521	083473	083472
	Gear	-----	083475	083475	083475	083475	083475
3.09	Pinion	083469	083468	083467	083466	083465	083464
	Gear	083434	083434	083434	083434	083434	083434
3.45	Pinion	083533	083535	083517	083519	083436	083423
	Gear	083427	083427	083427	083427	083427	083427
3.74	Pinion	083463	083462	083460	083459	083458	083416
	Gear	083420	083420	083420	083420	083420	083420
4.24	Pinion	083531	083532	083515	083516	083377	083376
	Gear	083387	083387	083387	083387	083387	083387
4.56	Pinion	083457	083456	083455	083454	083408	083407
	Gear	083413	083413	083413	083413	083413	083413
4.93	Pinion	083529	083530	083525	083374	083373	083371
	Gear	083382	083382	083382	083382	083382	083382
5.36	Pinion	083446	083444	083443	083355	083354	083353
	Gear	083404	083404	083404	083404	083404	083404
5.92	Pinion	083528	083513	083514	083352	083351	083350
	Gear	083401	083401	083401	083401	083401	083401
6.42	Pinion	083442	083441	083440	083591	083590	083589
	Gear	083332	083332	083332	083332	083332	083332
7.23	Pinion	083527	083512	083346	083345	083344	-----
	Gear	083398	083398	083398	083398	083398	-----
7.92	Pinion	083439	083438	083587	083586	083584	-----
	Gear	083392	083392	083392	083392	083392	-----
8.82	Pinion	083499	083583	083582	083580	-----	-----
	Gear	083390	083390	083390	083390	-----	-----
10.08	Pinion	083339	083338	083337	-----	-----	-----
	Gear	083396	083396	083396	-----	-----	-----
11.18	Pinion	083336	083335	083334	-----	-----	-----
	Gear	083394	083394	083394	-----	-----	-----
12.40	Pinion	083309	083308	083307	-----	-----	-----
	Gear	083389	083389	083389	-----	-----	-----

(1) Pinion shank diameter changes by motor frame size.



RENEWAL PARTS DATA



DODGE QUANTIS 1LH PARALLEL REDUCER	
DOUBLE A TYPE REDUCTION	
SIZE LHPSE-3	
DRAWING NUMBER 085624	

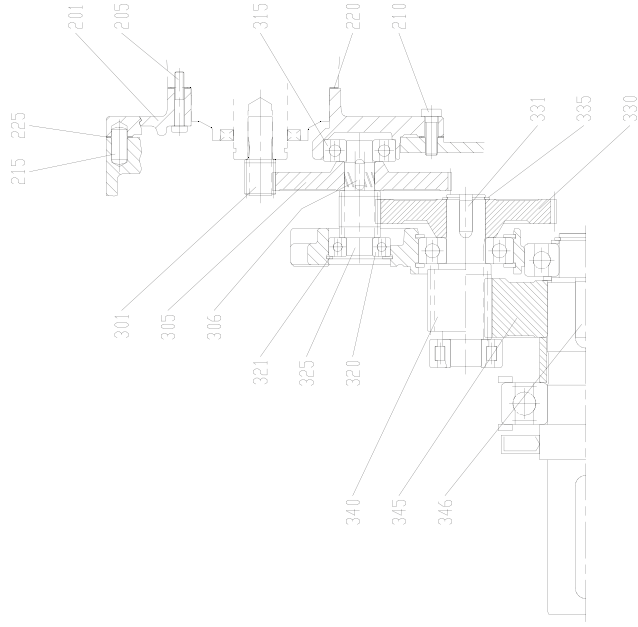
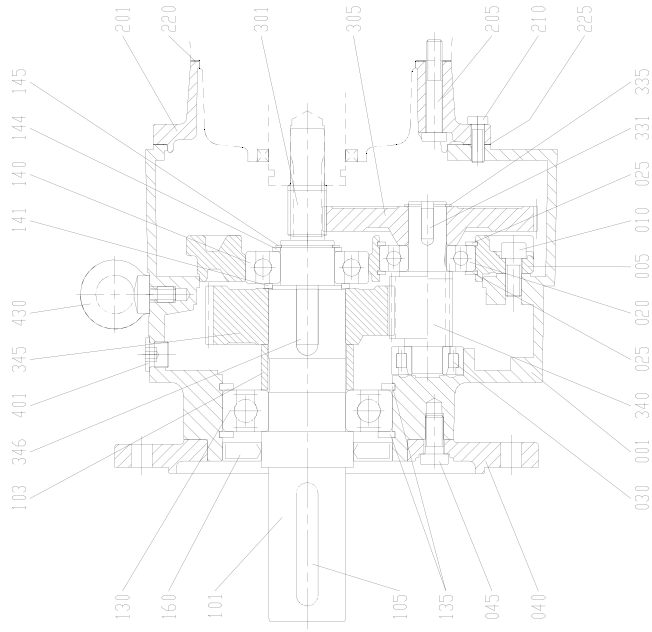
IN LINE HELICAL ILH HB68			Parts List for Helical Gear Units
Positions-Nr.	Quantity	Part Number	Component Designation
001	1	087529	Gearcase - HB68 (1)
005	1	082990	Center Plate (1)
010	4	083297	M10 x 25-10.9 Bolt to attach Center Plate
020	1	07914703G	Ball bearing (in 005)
025	2	051312	Retaining Ring (to 020,bore)
030	1	183013	Cylindrical Bearing (opposite 020)
050	1	087682	Cover Plate (1)
051	8	021358	Socket Cap Screw (1)
055	1	087664	Gasket, Cover Plate (1)
101	1 or 0	087908	Output shaft - 40 x 80 mm (2)
101	1 or 0	087909	Output shaft - 50 x 100 mm (2)
101	1 or 0	087910	Output shaft - 1.625 x 3.15" (2)
101	1 or 0	087911	Output shaft - 2.125 x 3.94" (2)
103	1 or 0	082963	Spacer (Gear 345 - Bearing 130) Standard
103	1 or 0	094487	Spacer (Gear 345 - Bearing 130) Heavy Duty Option
105	1 or 0	048542	Key (shaft end) 12 x 8 x 70 for 40 x 80mm shaft
105	1 or 0	051616	Key (shaft end) 14 x 9 x 80 for 50 x 100mm shaft
105	1 or 0	086655	Key (shaft end) 3/8 x 3/8 x 2-5/8 for 1.625" x 3.15" shaft
105	1 or 0	443279	Key (shaft end) 1/2 x 1/2 x 3-1/2 for 2.125" x 3.94" shaft
130	1 or 0	653063	Ball bearing (output side) - Standard bearing
130	1 or 0	093803	Spherical Roller Bearing - Heavy Duty Option
	1 or 0	094489	Nilos Ring - Heavy Duty Option
135	2	051334	Retaining Ring (to 130,bore)
140	1 or 0	07914703DA	Ball Bearing (opposite 130) - Standard
140	1 or 0	093804	Cylindrical Bearing (opposite 130) - Heavy Duty Option
141	1	087918	Supporting ring (to 140,shaft, gear side) (3)
144	1	053983	Washer (between 140/145)
144B	As Req'd	152565	Shim 35 x 40 x 0.1 (NOT SHOWN)
144B	As Req'd	154726	Shim 35 x 40 x 0.15 (NOT SHOWN)
145	1	278716	Retaining Ring (to 140,shaft)
160	1	082741	Output Seal
201	1 or 0	082522	Adapter plate - HB682 - Frames 71-100 (NEMA 56-140) (4)
201	1 or 0	082420	Adapter plate - HB682 - Frame 112 - 180TC
201	1 or 0	082428	Adapter plate - HB682 - Frame 132 (NEMA 210)
201	1 or 0	082592	Adapter plate - HB683 - Frames 71-100 (NEMA 56-140) (4)
201	1 or 0	094092	Adapter plate - HB683 - Frames NEMA 180TC
205	4 or 0	094033	M6 x 22-8.8 Bolt (Adapter plate to motor) - HB682 - Frames 71-100 (NEMA 56-140) (4)
205	4 or 0	093853	M8 x 25-8.8 Bolt (Adapter plate to motor) - HB682 - Frame 112 - 180TC
205	4 or 0	093790	M10 x 60-8.8 Bolt (Adapter plate to motor) - HB682 - Frame 132 (NEMA 210)
205	3 or 0	504637	M6 x 35-8.8 Bolt (Adapter plate to motor) - HB683 - Frame 71-100 (NEMA 56-140) (4)
205	1 or 0	050821	M6 x 55-8.8 Bolt (Adapter plate to motor) - HB683 - Frame 71-100 (NEMA 56-140) (4)
205	4 or 0	094454	M8 x 45 SHCS (Adapter plate to motor) - HB683 - Frame 112-180TC
210	8	093853	M8 x 25 -8.8 Bolt (to gear unit)
215	1 or 0	053168	Dowel Pin (3 Stage Only)
220	1 or 0	083277	Gasket (Between adapter plate and input group) - Frames 71-100 (NEMA 56-140) (4)
220	1 or 0	083278	Gasket (Between adapter plate and input group) - Frame 112 - 180TC
220	1 or 0	083279	Gasket (Between adapter plate and input group) - Frames 132 (NEMA 210)
225	1	082519	Gasket (Between adapter plate and gearcase)
301	1	See Chart	Shank pinion
305	1	See Chart	Gear
306	1	441791	Key (to 305)
315	1	275896	Ball bearing (in adapter plate)
320	1	011673	Ball bearing (in center plate)
321	1	051298	Retaining Ring (to 320,bore)
325	1 or 0	083482	Pinion shaft Triple Stage Ratio: 5.214
330	1 or 0	083483	Gear Triple Stage Ratio: 5.214
331	1	051574	Key (to 330)
335	1	278712	Retaining Ring (to 330)
340	1 or 0	082966	Pinion shaft Output Ratio: 4.769
340	1 or 0	082964	Pinion shaft Output Ratio: 2.480
345	1 or 0	083484	Gear Output Ratio: 4.769
345	1 or 0	083485	Gear Output Ratio: 2.480
346	1	441910	Key (to 345)
401	1	083868	Pipe Plug
405	1 or 0	084455	Oil sight glass (OPTIONAL - NOT SHOWN)
420	1 or 0	186468	Breather (NOT SHOWN)
430	1	050979	Eye Bolt M10
	1 or 0	094630	Washdown Breather Kit - Optional

(1) Original reducers were solid housing with bolt-in center plate. Housing redesigned in 2000 to have bolt on cover plate and cast in center plate. Order housing and cover plate to replace original design.

(2) When replacing shaft supplied with original solid housing also order #141 shaft spacer.

(3) Used for gearcase with bolt on access cover. Solid gearcase with old style shaft uses 190020.

(4) Also used for 180TC input until design change Feb 2005. At that time 180TC changed to use 112 adpt plate (#201) & hardware.



DODGE QUANTIS 1LH PARALLEL REDUCER	
HOUSING & SHAFTS REDUCTION	
HOUSING SIZE 1LH682-2	
DODGE	
PART NUMBER 085625	

IN LINE HELICAL ILH HF68			Parts List for Helical Gear Units
Positions-Nr.	Quantity	Part Number	Component Designation
001	1	087531	Gearcase - HF68 (1)
005	1	082990	Center Plate (1)
010	4	083297	M10 x 25-10.9 Bolt to attach Center Plate (1)
020	1	07914703G	Ball bearing (in 005)
025	2	051312	Retaining Ring (to 020,bore)
030	1	183013	Cylindrical Bearing (opposite 020)
040	1 or 0	082547	Output Flange - 250mm - B5 (Fig 2)
040	1 or 0	082549	Output Flange - 300mm - B5 (Fig 2)
045	4	691593	M12 x 25-8.8 Bolt (to 040)
050	1	087682	Cover Plate (1)
051	8	021358	Socket Cap Screw (1)
055	1	087664	Gasket, Cover Plate (1)
101	1 or 0	087908	Output shaft - 40 x 80 mm (2)
101	1 or 0	087909	Output shaft - 50 x 100 mm (2)
101	1 or 0	087910	Output shaft - 1.625 x 3.15" (2)
101	1 or 0	087911	Output shaft - 2.125 x 3.94" (2)
103	1	082963	Sleeve (Gear 345 - Bearing 130)
105	1 or 0	048542	Key (shaft end) 12 x 8 x 70 for 40 x 80mm shaft
105	1 or 0	051616	Key (shaft end) 14 x 9 x 80 for 50 x 100mm shaft
105	1 or 0	086655	Key (shaft end) 3/8 x 3/8 x 2-5/8 for 1.625" x 3.15" shaft
105	1 or 0	443279	Key (shaft end) 1/2 x 1/2 x 3-1/4 for 2.125" x 3.94" shaft
130	1 or 0	653063	Ball bearing (output side) - Standard
130	1 or 0	093803	Spherical Roller Bearing - Heavy Duty Option
	1 or 0	094489	Nilos Ring - Heavy Duty Option
135	2	051334	Retaining Ring (to 130,bore)
140	1	016224	Ball Bearing (opposite 130) - Standard
140	1 or 0	093804	Cylindrical Bearing (opposite 130) - Heavy Duty Option
141	1	087918	Supporting ring (to 140,shaft, gear side) (3)
144	1	053983	Washer (between 140/145)
144B	As Req'd	152565	Shim 35 x 40 x 0.1 (NOT SHOWN)
144B	As Req'd	154726	Shim 35 x 40 x 0.15 (NOT SHOWN)
145	1	278716	Retaining Ring (to 140,shaft)
160	1	082741	Output Seal
201	1 or 0	082522	Adapter plate - HF682 - Frames 71-100 (NEMA 56-140) (4)
201	1 or 0	082420	Adapter plate - HF682 - Frame 112 - 180TC
201	1 or 0	082428	Adapter plate - HF682 - Frame 132 (NEMA 210)
201	1 or 0	082592	Adapter plate - HF683 - Frames 71-100 (NEMA 56-140) (4)
201	1 or 0	094092	Adapter plate - HF683 - Frame 180TC
205	4 or 0	094033	M6 x 22-8.8 Bolt (Adapter plate to motor) - HF682 - Frames 71-100 (NEMA 56-140) (4)
205	4 or 0	093853	M8 x 25-8.8 Bolt (Adapter plate to motor) - HF682 - Frame 112 - 180TC
205	4 or 0	093790	M10 x 60-8.8 Bolt (Adapter plate to motor) - HF682 - Frame 132 (NEMA 210)
205	3 or 0	504637	M6 x 35-8.8 Bolt (Adapter plate to motor) - HF683 - Frame 71-100 (NEMA 56-140) (4)
205	1 or 0	050821	M6 x 55-8.8 Bolt (Adapter plate to motor) - HF683 - Frame 71-100 (NEMA 56-140) (4)
205	4 or 0	094454	M8 x 45 SHCS (Adapter plate to motor) - HF683 - Frame 180TC
210	8	093853	M8 x 25 -8.8 Bolt (to gear unit)
215	1 or 0	053168	Dowel Pin (3 Stage Only)
220	1 or 0	083277	Gasket (Between adapter plate and input group) - Frames 71-100 (NEMA 56-140) (4)
220	1 or 0	083278	Gasket (Between adapter plate and input group) - Frame 112 - 180TC
220	1 or 0	083279	Gasket (Between adapter plate and input group) - Frames 132 (NEMA 210)
225	1	082519	Gasket (Between adapter plate and gearcase)
301	1	See Chart	Shank pinion
305	1	See Chart	Gear
306	1	441791	Key (to 305)
315	1	275896	Ball bearing (in adapter plate) -
320	1	011673	Ball bearing (in center plate) -
321	1	051298	Retaining Ring (to 320,bore)
325	1 or 0	083482	Pinion shaft Triple Stage Ratio: 5.214
330	1 or 0	083483	Gear Triple Stage Ratio: 5.214
331	1	051574	Key (to 330)
335	1	278712	Retaining Ring (to 330)
340	1 or 0	082966	Pinion shaft Output Ratio: 4.769
340	1 or 0	082964	Pinion shaft Output Ratio: 2.480
345	1 or 0	083484	Gear Output Ratio: 4.769
345	1 or 0	083485	Gear Output Ratio: 2.480
346	1	441910	Key (to 345)
401	1	083868	Pipe Plug
405	1 or 0	084455	Oil sight glass (OPTIONAL - NOT SHOWN)
420	1 or 0	186468	Breather - Standard (NOT SHOWN)
430	1	050979	Eye Bolt M10
	1 or 0	094630	Washdown Breather Kit - Optional

(1) Original reducers were solid housing with bolt-in center plate. Housing redesigned in 2000 to have bolt on cover plate and cast in center plate. Order housing and cover plate to replace original design.

(2) When replacing shaft supplied with original solid housing also order #141 shaft spacer.

(3) Use for gearcase with bolt on access cover. Solid gearcase with old style shaft uses 190020.

(4) Also used for 180TC input until design change Feb 2005. At that time 180TC changed to use 112 adpt plate (#201) & hardware.



QUANTIS ILH SIZE 68

GEARING CHART

DOUBLE REDUCTION

TOTAL RATIO	1st STAGE	2nd STAGE		M1-63-71/56C – 9 MM (1)		IEC 90D/140TC – 12MM (1)		IEC 100D/180TC – 16 MM (1)		IEC 112D – 18 MM (1)		IEC 132D/210TC – 22 MM (1)	
				1st	2nd	1st	2nd	1st	2nd	1st	2nd	1st	2nd
3.49	1.41	2.48	PINION GEAR	----	----	----	----	083450	082964	083449	082964	083448	082964
4.22	1.70	2.48	PINION GEAR	----	----	----	----	083540	082964	083541	082964	083543	082964
5.06	2.04	2.48	PINION GEAR	----	----	083505	082964	083504	082964	083503	082964	083502	082964
5.93	2.39	2.48	PINION GEAR	----	----	083510	083485	083510	083485	083510	083485	083510	083485
6.72	1.41	4.77	PINION GEAR	----	----	083522	082964	083523	082964	083524	082964	083478	082964
8.11	1.70	4.77	PINION GEAR	----	----	083480	083485	083480	083485	083480	083485	083480	083485
9.73	2.04	4.77	PINION GEAR	----	----	----	----	083450	082966	083449	082966	083448	082966
11.40	2.39	4.77	PINION GEAR	----	----	----	----	083451	083484	083451	083484	083451	083484
13.59	2.85	4.77	PINION GEAR	----	----	----	----	083540	082966	083541	082966	083543	082966
14.74	3.09	4.77	PINION GEAR	083469	082966	083505	082966	083538	083484	083538	083484	083538	083484
16.45	3.45	4.77	PINION GEAR	083434	083484	083510	083484	083504	082966	083503	082966	083502	082966
			PINION GEAR	083533	082966	083520	083484	083510	083484	083510	083484	083510	083484
			PINION GEAR	083427	083484	083475	083484	083523	082966	083524	082966	083478	082966
			PINION GEAR	083469	082966	083467	082966	083480	083484	083480	083484	083480	083484
			PINION GEAR	083434	083484	083434	083484	083475	083484	083475	083484	083475	083484
			PINION GEAR	083533	082966	083517	082966	083466	082966	083465	082966	083464	082966
			PINION GEAR	083427	083484	083427	083484	083434	083484	083434	083484	083434	083484
			PINION GEAR	083427	083484	083427	083484	083519	082966	083436	082966	083423	082966
			PINION GEAR	083427	083484	083427	083484	083427	083484	083427	083484	083427	083484

(1) Pinion shank diameter changes by motor frame size.



QUANTIS ILH SIZE 68

GEARING CHART

DOUBLE REDUCTION

TOTAL RATIO	1 st STAGE	2 nd STAGE		M1-63-71/56C –		G80 –		IEC 90D/140TC –		IEC 100D/180TC –		IEC 112D –		IEC 132D/210TC –	
				1st	2nd	1st	2nd	1st	2nd	1st	2nd	1st	2nd	1st	2nd
17.82	3.74	4.77	PINION GEAR	083463 083420	082966 083484	----- -----	083460 083420	082966 083484	083459 083420	082966 083484	083458 083420	082966 083484	083416 083420	082966 083484	
20.20	4.24	4.77	PINION GEAR	083531 083387	082966 083484	----- -----	083515 083387	082966 083484	083376 083387	082966 083484	083377 083387	082966 083484	083376 083387	082966 083484	
21.76	4.56	4.77	PINION GEAR	083457 083413	082966 083484	----- -----	083455 083413	082966 083484	083454 083413	082966 083484	083408 083413	082966 083484	083407 083413	082966 083484	
23.81	4.93	4.77	PINION GEAR	083529 083382	082966 083484	----- -----	083525 083382	082966 083484	083374 083382	082966 083484	083373 083382	082966 083484	083371 083382	082966 083484	
25.55	5.36	4.77	PINION GEAR	083446 083404	082966 083484	----- -----	083443 083404	082966 083484	083355 083404	082966 083484	083354 083404	082966 083484	083353 083404	082966 083484	
28.25	5.92	4.77	PINION GEAR	083528 083401	082966 083484	----- -----	083514 083401	082966 083484	083352 083401	082966 083484	083351 083401	082966 083484	083350 083401	082966 083484	
30.60	6.42	4.77	PINION GEAR	083442 083332	082966 083484	----- -----	083440 083332	082966 083484	083591 083332	082966 083484	083590 083332	082966 083484	083589 083332	082966 083484	
34.49	7.23	4.77	PINION GEAR	083527 083398	082966 083484	----- -----	083346 083398	082966 083484	083345 083398	082966 083484	083344 083398	082966 083484	----- -----	----- -----	
37.76	7.92	4.77	PINION GEAR	083439 083392	082966 083484	083438 083392	082966 083484	083438 083392	083586 083392	082966 083484	083584 083392	082966 083484	083589 083392	082966 083484	
42.05	8.82	4.77	PINION GEAR	083499 083390	082966 083484	083583 083390	082966 083484	083582 083390	083580 083390	082966 083484	----- -----	082966 083484	----- -----	----- -----	
48.09	10.08	4.77	PINION GEAR	083339 083396	082966 083484	083338 083396	082966 083484	083337 083396	----- 083396	082966 083484	----- 083396	082966 083484	----- 083396	----- 083484	

(1) Pinion shank diameter changes by motor frame size.



RENEWAL PARTS DATA

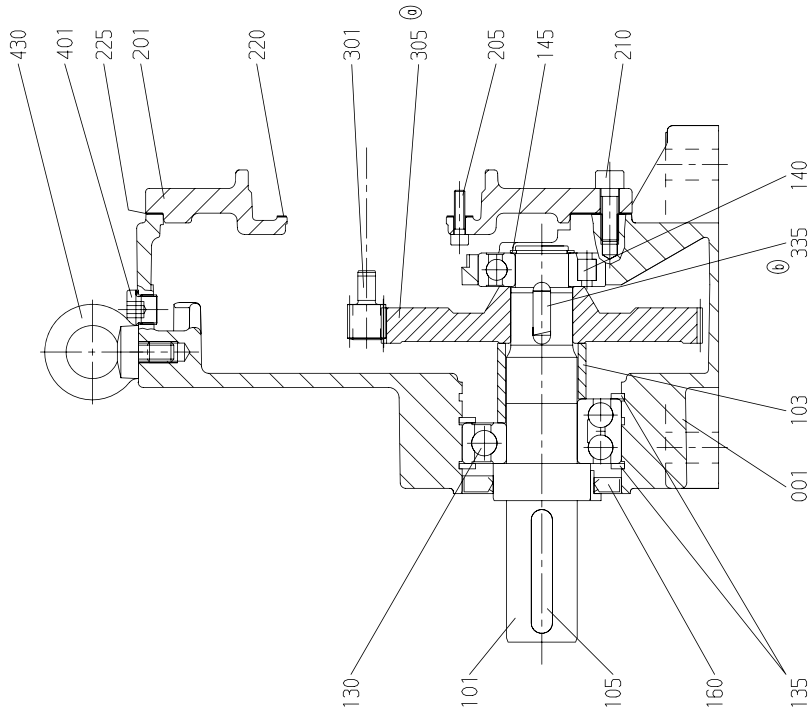
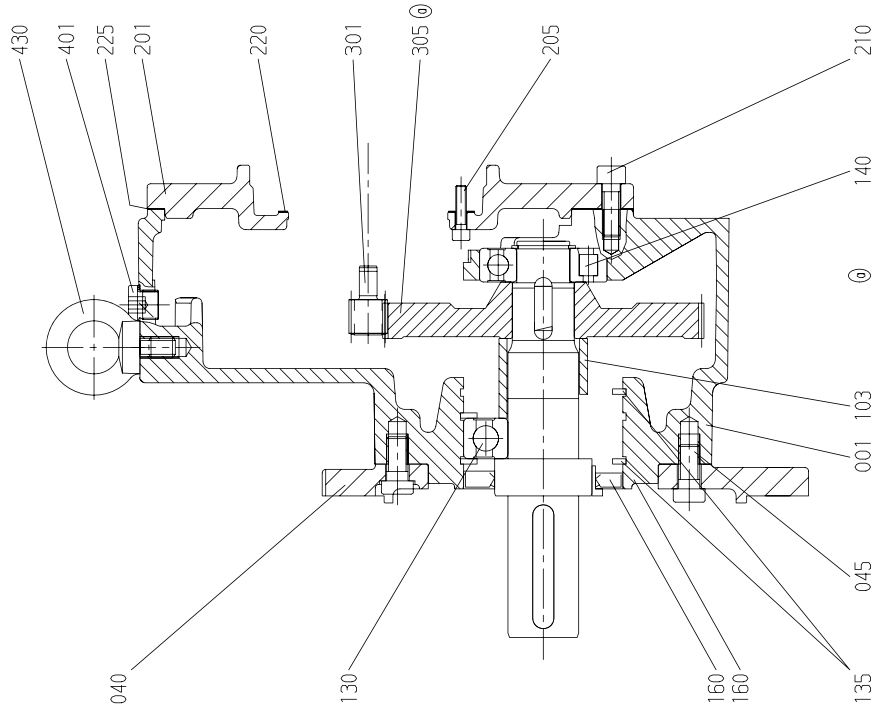
QUANTIS ILH SIZE 68

TRIPLE REDUCTION

GEARING CHART

TOTAL RATIO	1st STAGE	2nd STAGE	3rd STAGE	IEC 63-71D/56C 9 MM (1)			IEC 80D 10 MM (1)			IEC 90D/140TC 12 MM (1)			IEC 100D/180TC 16 MM (1)		
				1st	2nd	3rd	1st	2nd	3rd	1st	2nd	3rd	1st	2nd	3rd
37.80	1.52	5.21	4.77	-----	-----	-----	083506	083482	082966	083505	083482	082966	083504	083482	082966
							083511	083483	083484	083511	083483	083484	083511	083483	083484
45.41	1.83	5.21	4.77	-----	-----	-----	083537	083482	082966	083522	083482	082966	083523	083482	082966
							083479	083483	083484	083479	083483	083484	083479	083483	083484
53.46	2.15	5.21	4.77	-----	-----	-----	083536	083482	082966	083520	083482	082966	083521	083482	082966
							083474	083483	083484	083474	083483	083484	083474	083483	083484
59.90	2.41	5.21	4.77	083469	083482	082966	083468	083482	082966	083467	083482	082966	083466	083482	082966
				083433	083483	083484	083433	083483	083484	083433	083483	083484	083433	083483	083484
67.14	2.70	5.21	4.77	083533	083482	082966	083535	083482	082966	083517	083482	082966	083519	083482	082966
				083426	083483	083484	083426	083483	083484	083426	083483	083484	083426	083483	083484
73.28	2.95	5.21	4.77	083463	083482	082966	083462	083482	082966	083460	083482	082966	083459	083482	082966
				083419	083483	083484	083419	083483	083484	083419	083483	083484	083419	083483	083484
80.44	3.24	5.21	4.77	083531	083482	082966	083532	083482	082966	083515	083482	082966	083516	083482	082966
				083386	083483	083484	083386	083483	083484	083386	083483	083484	083386	083483	083484
88.60	3.56	5.21	4.77	083457	083482	082966	083456	083482	082966	083455	083482	082966	-----	-----	-----
				083412	083483	083484	083412	083483	083484	083412	083483	083484	-----	-----	-----
96.16	3.87	5.21	4.77	083529	083482	082966	083530	083482	082966	083525	083482	082966	-----	-----	-----
				083381	083483	083484	083381	083483	083484	083381	083483	083484	-----	-----	-----
104.78	4.21	5.21	4.77	083446	083482	082966	083444	083482	082966	083443	083482	082966	-----	-----	-----
				083370	083483	083484	083370	083483	083484	083370	083483	083484	-----	-----	-----
114.76	4.62	5.21	4.77	083528	083482	082966	083513	083482	082966	083514	083482	082966	-----	-----	-----
				083369	083483	083484	083369	083483	083484	083369	083483	083484	-----	-----	-----
126.39	5.08	5.21	4.77	083442	083482	082966	083441	083482	082966	083440	083482	082966	-----	-----	-----
				083331	083483	083484	083331	083483	083484	083331	083483	083484	-----	-----	-----
145.36	5.85	5.21	4.77	083527	083482	082966	083512	083482	082966	083346	083482	082966	-----	-----	-----
				083368	083483	083484	083368	083483	083484	083368	083483	083484	-----	-----	-----
157.47	6.33	5.21	4.77	083439	083482	082966	083438	083482	082966	083587	083482	082966	-----	-----	-----
				083365	083483	083484	083365	083483	083484	083365	083483	083484	-----	-----	-----
174.06	7.00	5.21	4.77	083499	083482	082966	083583	083482	082966	083582	083482	082966	-----	-----	-----
				083363	083483	083484	083363	083483	083484	083363	083483	083484	-----	-----	-----
203.08	8.17	5.21	4.77	083339	083482	082966	083338	083482	082966	083337	083482	082966	-----	-----	-----
				083367	083483	083484	083367	083483	083484	083367	083483	083484	-----	-----	-----
226.05	9.09	5.21	4.77	083336	083482	082966	083335	083482	082966	083334	083482	082966	-----	-----	-----
				083366	083483	083484	083366	083483	083484	083366	083483	083484	-----	-----	-----
248.66	10.00	5.21	4.77	083309	083482	082966	083308	083482	082966	083307	083482	082966	-----	-----	-----
				083362	083483	083484	083362	083483	083484	083362	083483	083484	-----	-----	-----
280.98	11.30	5.21	4.77	083320	083482	082966	083319	083482	082966	-----	-----	-----	-----	-----	-----
				083361	083483	083484	083361	083483	083484	083361	083483	083484	-----	-----	-----

(1) Pinion shank diameter changes by motor frame size.



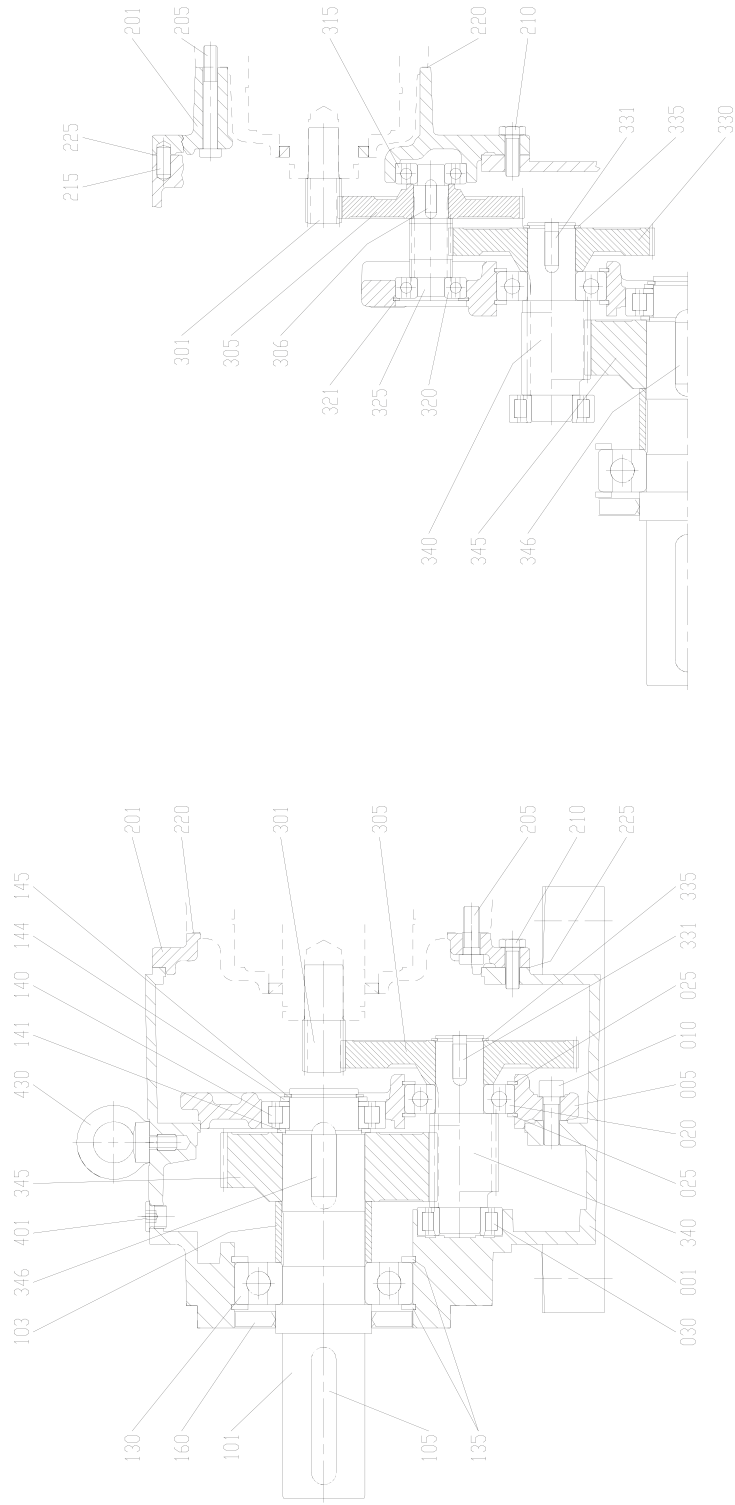
DODGE QUANTIS 1LH PARALLEL REDUCER	
SINGLE REDUCTION SIZE 88	
FOOTED (HF) & FLANGED (FF) HOUSINGS	
DRAWING NUMBER	
212936 & 212943	
FLANGED	

INLINE HELICAL ILH HB-HF881			PARTS LIST
Position No.	Quantity	Part Number	Description
001	1 or 0	366412	E88 HOUSING - FOOTED
001	1 or 0	366426	EF88 HOUSING - FLANGED
040	1 or 0	082547	FLANGE 250MM HF68-88
040	1 or 0	082549	FLANGE 300MM HF68-88
045	4 or 0	691593	BOLT M12 x 25
101	1 or 0	093776	E/EF88 O/P SHAFT 1-5/8x3.15
101	1 or 0	366357	E/EF88 O/P ShAFT 40 X 80MM
103	1 or 0	366439	E88 O/P SHAFT SPACER
103	1 or 0	366440	E88 O/P SHAFT SPACER - HEAVY DUTY
105	1	086655	KEY 3/8" SQ. X 2-3/4
105	1 or 0	048542	KEY A12 X 8 X 70
130	1 or 0	07914703V	BALL BEARING STANDARD
130	1 or 0	457477	CYL ROLLER BEARING - HEAVY DUTY
135	2	278704	RETAINING RING
140	1 or 0	082590	BEARING - STANDARD
140	1 or 0	011646	BEARING - HEAVY DUTY
145	1	051284	SNAP RING EXTERNAL
160	1	085046	OUTPUT SEAL
201	1 or 0	082528	ADAPTER PLATE 132-210TC
201	1 or 0	082408	ADAPTER PLATE 90 - 140TC
201	1 or 0	082412	ADAPTER PLATE 100
201	1 or 0	082524	ADAPTER PLATE 112 - 180TC
201	1 or 0	082599	ADAPTER PLATE 160-250TC
205	4 or 0	133241	BOLT M10 X 45 132-210TC
205	4 or 0	094033	BOLT M6 x 22 SHCS 90/100-140TC
205	4 or 0	093853	BOLT M8x25 SHCS 112 - 180TC
205	4 or 0	178420	BOLT M12x35 SHCS 160-250TC
210	8	050843	M10 X 30 SHCS
220	1 or 0	083277	GASKET 90/100-140TC
220	1 or 0	083278	GASKET 112 - 180TC
220	1 or 0	083279	GASKET 132 - 210TC
220	1 or 0	083296	GASKET 160 - 250TC
225	1	085539	GASKET, ADPT PLT
335	1	102044	GEAR KEY HARD 331
401	4	083868	PIPE PLUG
430	1	050980	EYE BOLT
	1 or 0	186468	BREATHER - STANDARD (NOT SHOWN)
	1 or 0	094631	WASHDOWN BREATHER KIT - OPTIONAL

QUANTIS ILH881
SINGLE REDUCTION GEAR CHART

Ratio		140TC-90 12 MM (1)	180TC-100 16 MM (1)	112 18 MM (1)	210TC-132 22 MM (1)	250TC-160 28 MM (1)
1.71	Pinion	-----	-----	083507	083487	083486
	Gear	-----	-----	083489	083489	083489
2.09	Pinion	-----	083450	083449	083448	083447
	Gear	-----	083452	083452	083452	083452
2.45	Pinion	-----	083540	083541	083543	083544
	Gear	-----	083539	083539	083539	083539
2.88	Pinion	083505	083504	083503	083502	083501
	Gear	083509	083509	083509	083509	083509
3.30	Pinion	083522	083523	083524	083478	083477
	Gear	083481	083481	083481	083481	083481
3.90	Pinion	083520	083521	083473	083472	083471
	Gear	083476	083476	083476	083476	083476
4.23	Pinion	083467	083466	083465	083464	083430
	Gear	083435	083435	083435	083435	083435
4.70	Pinion	083517	083519	083436	083423	083422
	Gear	083428	083428	083428	083428	083428
5.11	Pinion	083460	083459	083458	083416	083415
	Gear	083421	083421	083421	083421	083421
5.65	Pinion	083515	083516	083377	083376	083375
	Gear	083388	083388	083388	083388	083388
6.06	Pinion	083455	083454	083408	083407	083406
	Gear	083414	083414	083414	083414	083414
6.53	Pinion	083525	083374	083373	083371	-----
	Gear	083383	083383	083383	083383	-----
7.07	Pinion	083443	083355	083354	083353	-----
	Gear	083405	083405	083405	083405	-----
7.69	Pinion	083514	083352	083351	083350	-----
	Gear	083403	083403	083403	083403	-----
8.42	Pinion	083440	083591	083590	083589	-----
	Gear	083333	083333	083333	083333	-----
9.46	Pinion	083346	083345	083344	-----	-----
	Gear	083400	083400	083400	-----	-----
10.33	Pinion	083587	083586	083584	-----	-----
	Gear	083393	083393	083393	-----	-----
11.45	Pinion	083582	083580	-----	-----	-----
	Gear	083391	083391	-----	-----	-----
13.08	Pinion	083337	-----	-----	-----	-----
	Gear	083397	-----	-----	-----	-----
14.46	Pinion	083334	-----	-----	-----	-----
	Gear	083395	-----	-----	-----	-----

(1) Pinion shank diameter changes by motor frame size.



BOUGE, QUANTIS 1LH PARALLEL REDUCER	
DOUBLE & TRIPLE REDUCTION	
SIZE: 1LHBB-3	
PART NO. 085626	
PARTS LIST	
085626	

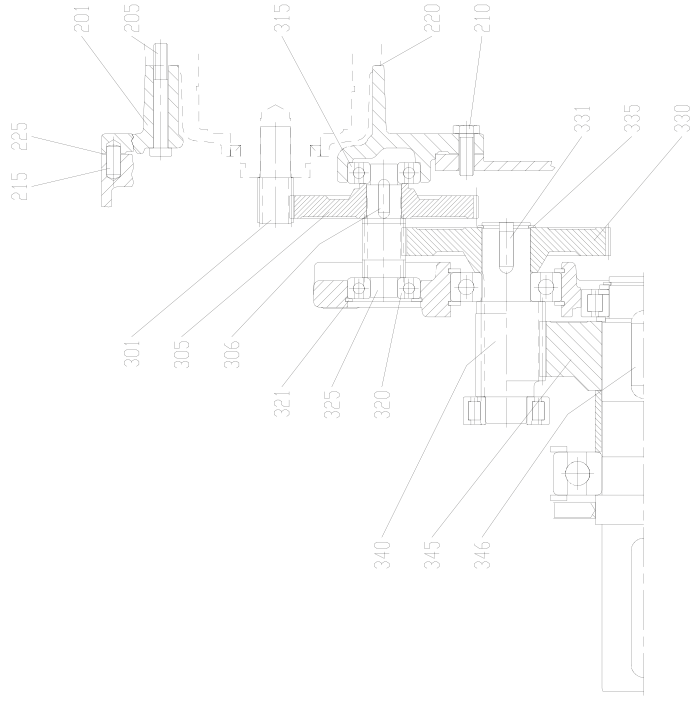
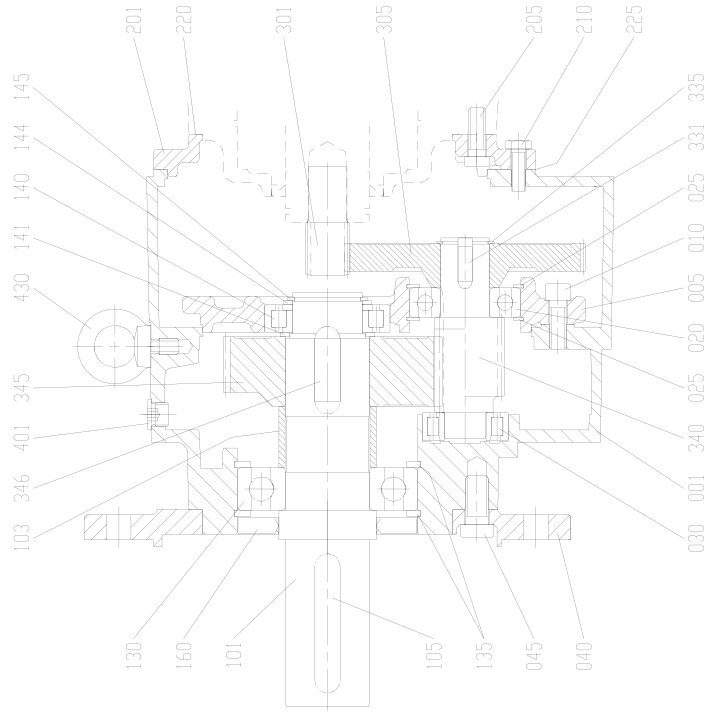
IN LINE HELICAL ILH HB88			Parts List for Helical Gear Units
Positions-Nr.	Quantity	Part Number	Component Designation
001	1	087533	Gearcase - HB88 (1)
005	1	082998	Center Plate (1)
010	4	050855	M12 x 35-10.9 Bolt to attach Center Plate (1)
020	1	07914703DA	Ball bearing (in 005)
025	2	278715	Retaining Ring (to 020,bore)
030	1	083298	Cylindrical Bearing (opposite 020)
050	1	087683	Cover Plate (1)
051	8	021358	Socket Cap Screw (1)
055	1	087667	Gasket, Cover Plate (1)
101	1 or 0	087912	Output shaft - 50 x 100 mm (2)
101	1 or 0	087913	Output shaft - 60 x 120 mm (2)
101	1 or 0	087914	Output shaft - 2.125 x 3.94" (2)
101	1 or 0	087915	Output shaft - 2.375 x 4.72" (2)
101	1 or 0	094003	Output shaft - 2.7495" x 6.34" (special)
103	1	082564	Sleeve (Gear 345 - Bearing 130)
105	1 or 0	051616	Key (shaft end) 14 x 9 x 80 for 50 x 100mm shaft
105	1 or 0	051634	Key (shaft end) 18 x 11 x 100 for 60 x 120mm shaft
105	1 or 0	443279	Key (shaft end) 1/2 x 1/2 x 3-1/4 for 2.125" x 3.94" shaft
105	1 or 0	086657	Key (shaft end) 5/8 x 5/8 x 4-1/4 for 2.375" x 4.72" shaft
105	1 or 0	092417	Key (shaft end) 5/8 x 5/8 x 2.50" for 2.7495" x 6.34" shaft
130	1 or 0	143610	Ball bearing (output side) Standard
130	1 or 0	093821	Spherical Roller Bearing - Heavy Duty Option
	1 or 0	094490	Nilos Ring - Heavy Duty Option
135	2	051337	Retaining Ring (to 130,bore)
140	1	083904	Cylindrical Roller Bearing (opposite 130)
141	1	087919	Supporting ring (to 140 _{shaft} , gear side) (3)
144	1	068654	Washer (between 140/145)
145	1	051304	Retaining Ring (to 140,shaft)
160	1	083299	Output Seal
201	1 or 0	082408	Adapter plate - HB882 - Frame 90 (NEMA 140)
201	1 or 0	082412	Adapter plate - HB882 - Frame 100 (4)
201	1 or 0	082524	Adapter plate - HB882 - Frame 112 - 180TC
201	1 or 0	082528	Adapter plate - HB882 - Frame 132 (NEMA 210)
201	1 or 0	082599	Adapter plate - HB882 - Frame 160 (NEMA 250)
201	1 or 0	082476	Adapter plate - HB883 - Frames 71-100 (NEMA 56-140) (4)
201	1 or 0	082484	Adapter plate - HB883 - Frame 112 - 180TC
201	1 or 0	082492	Adapter plate - HB883 - Frames 132 (NEMA 210)
205	4 or 0	094033	M6 x 22-8.8 Bolt (Adapter plate to motor) - HB882 - Frame 90 -100 (NEMA 140) (4)
205	4 or 0	093853	M8 x 25-8.8 Bolt (Adapter plate to motor) - HB882 - Frame 112 - 180TC
205	4 or 0	133241	M10 x 45-8.8 Bolt (Adapter plate to motor) - HB882 - Frame 132 (NEMA 210)
205	4 or 0	174820	M12 x 35-8.8 Bolt (Adapter plate to motor) - HB882 - Frame 160 (NEMA 250)
205	4 or 0	093839	M6 x 25-8.8 Bolt (Adapter plate to motor) - HB883 - Frames 71-100 (NEMA 56-140) (4)
205	3 or 0	050831	M8 x 35-8.8 Bolt (Adapter plate to motor) - HB883 - Frame 112 - 180TC
205	1 or 0	050836	M8 x 60-8.8 Bolt (Adapter plate to motor) - HB883 - Frame 112 - 180TC
205	3 or 0	133242	M10 x 65-8.8 Bolt (Adapter plate to motor) - HB883 - Frame 132 (NEMA 210)
205	1 or 0	083905	M10 x 100-8.8 Bolt (Adapter plate to motor) - HB883 - Frame 132 (NEMA 210)
210	8	093840	M10 x 30 -8.8 Bolt (to gear unit)
215	1 or 0	053168	Dowel Pin (3 Stage Only)
220	1 or 0	083277	Gasket (Between adapter plate and input group) - Frames 71-100 (NEMA 56-140) (4)
220	1 or 0	083278	Gasket (Between adapter plate and input group) - Frame 112 - 180TC
220	1 or 0	083279	Gasket (Between adapter plate and input group) - Frames 132 (NEMA 210)
220	1 or 0	083296	Gasket (Between adapter plate and input group) - Frames 160 (NEMA 250)
225	1	085539	Gasket (Between adapter plate and gearcase)
301	1	See Chart	Shank pinion
305	1	See Chart	Gear
306	1	051574	Key (to 305)
315	1	07914703CY	Ball bearing (in adapter plate)
320	1	07914703CY	Ball bearing (in center plate)
321	1	051306	Retaining Ring (to 320,bore)
325	1 or 0	083304	Pinion shaft Triple Stage Ratio: 5.471
330	1 or 0	083306	Gear Triple Stage Ratio: 5.471
331	1	102044	Key (to 330)
335	1	278716	Retaining Ring (to 330)
340	1 or 0	083300	Pinion shaft Output Ratio: 4.429
340	1 or 0	083302	Pinion shaft Output Ratio: 2.840
345	1 or 0	083301	Gear Output Ratio: 4.429
345	1 or 0	083303	Gear Output Ratio: 2.840
346	1	436186	Key (to 345)
401	1	083868	Pipe Plug G3/8
405	1 or 0	084455	Oil sight glass (OPTIONAL - NOT SHOWN)
420	1 or 0	186468	Breather - Standard (NOT SHOWN)
	1 or 0	094630	Washdown Breather Kit - Optional
430	1	050980	Eye Bolt M12

(1) Original reducers were solid housing with bolt-in center plate. Housing redesigned in 2000 to have bolt on cover plate and cast in center plate. Order housing and cover plate to replace original design.

(2) When replacing shaft supplied with original solid housing also order #141 shaft spacer.

(3) Used for gearcase with bolt on access cover. Solid gearcase with old style shaft uses 040141.

(4) Also used for 180TC input until design change Feb 2005. At that time 180TC changed to use 112 adpt plate (#201) & hardware.



DODGE QUANTIS I-LH PARALLEL REDUCER	
DOUBLE & TRIPLE REDUCTION	
SIZE L100E-3	
PARTS LIST	
085627	

IN LINE HELICAL ILH HF88			Parts List for Helical Gear Units
Positions-Nr.	Quantity	Part Number	Component Designation
001	1	087535	Gearcase - HF88 (1)
005	1	082998	Center Plate (1)
010	4	050855	M12 x 35-10.9 Bolt to attach Center Plate (1)
020	1	07914703DA	Ball bearing (in 005)
025	2	278715	Retaining Ring (to 020,bore)
030	1	083298	Cylindrical Bearing (opposite 020)
040	1 or 0	082553	Output Flange - 300mm - B5 (Fig 2)
040	1 or 0	082556	Output Flange - 350mm - B5 (Fig 2)
045	4	722812	M16 x 35-8.8 Bolt (to 040)
050	1	087683	Cover Plate (1)
051	8	021358	Socket Cap Screw (1)
055	1	087667	Gasket, Cover Plate (1)
101	1 or 0	087912	Output shaft - 50 x 100 mm (2)
101	1 or 0	087913	Output shaft - 60 x 120 mm (2)
101	1 or 0	087914	Output shaft - 2.125 x 3.94" (2)
101	1 or 0	087915	Output shaft - 2.375 x 4.72" (2)
103	1	082564	Sleeve (Gear 345 - Bearing 130)
105	1 or 0	051616	Key (shaft end) 14 x 9 x 80 for 50 x 100mm shaft
105	1 or 0	051634	Key (shaft end) 18 x 11 x 100 for 60 x 120mm shaft
105	1 or 0	443279	Key (shaft end) 1/2 x 1/2 x 3-1/2 for 2.125" x 3.94" shaft
105	1 or 0	086657	Key (shaft end) 5/8 x 5/8 x 4-1/2 for 2.375" x 4.72" shaft
130	1 or 0	143610	Ball bearing (output side) - Standard
130	1 or 0	093821	Spherical Roller Bearing - Heavy Duty Option
	1 or 0	094490	Nilos Ring - Heavy Duty Option
135	2	051337	Retaining Ring (to 130,bore)
140	1	083904	Cylindrical Roller Bearing (opposite 130)
141	1	087919	Supporting ring (to 140,shaft, gear side) (3)
144	1	068654	Washer (between 140/145)
145	1	051304	Retaining Ring (to 140,shaft)
160	1	083299	Output Seal
201	1 or 0	082408	Adapter plate - HB882 - Frame 90 (NEMA 140)
201	1 or 0	082412	Adapter plate - HB882 - Frame 100 (4)
201	1 or 0	082524	Adapter plate - HB882 - Frame 112 - 180TC
201	1 or 0	082528	Adapter plate - HB882 - Frame 132 (NEMA 210)
201	1 or 0	082599	Adapter plate - HB882 - Frame 160 (NEMA 250)
201	1 or 0	082476	Adapter plate - HB883 - Frames 71-100 (NEMA 56-140) (4)
201	1 or 0	082484	Adapter plate - HB883 - Frame 112 - 180TC
201	1 or 0	082492	Adapter plate - HB883 - Frames 132 (NEMA 210)
205	4 or 0	094033	M6 x 22-8.8 Bolt (Adapter plate to motor) - HB882 - Frame 90 -100 (NEMA 140 - 140) (4)
205	4 or 0	093853	M8 x 25-8.8 Bolt (Adapter plate to motor) - HB882 - Frame 112 - 180TC
205	4 or 0	133241	M10 x 45-8.8 Bolt (Adapter plate to motor) - HB882 - Frame 132 (NEMA 210)
205	4 or 0	174820	M12 x 35-8.8 Bolt (Adapter plate to motor) - HB882 - Frame 160 (NEMA 250)
205	4 or 0	093839	M6 x 25-8.8 Bolt (Adapter plate to motor) - HB883 - Frames 71-100 (NEMA 56-140) (4)
205	3 or 0	050831	M8 x 35-8.8 Bolt (Adapter plate to motor) - HB883 - Frame 112 - 180TC
205	1 or 0	050836	M8 x 60-8.8 Bolt (Adapter plate to motor) - HB883 - Frame 112 - 180TC
205	3 or 0	133242	M10 x 65-8.8 Bolt (Adapter plate to motor) - HB883 - Frame 132 (NEMA 210)
205	1 or 0	083905	M10 x 100-8.8 Bolt (Adapter plate to motor) - HB883 - Frame 132 (NEMA 210)
210	8	093840	M10 x 30 -8.8 Bolt (to gear unit)
215	1 or 0	053168	Dowel Pin (3 Stage Only)
220	1 or 0	083277	Gasket (Between adapter plate and input group) - Frames 71-100 (NEMA 56-140) (4)
220	1 or 0	083278	Gasket (Between adapter plate and input group) - Frame 112 - 180TC
220	1 or 0	083279	Gasket (Between adapter plate and input group) - Frames 132 (NEMA 210)
220	1 or 0	083296	Gasket (Between adapter plate and input group) - Frames 160 (NEMA 250)
225	1	085539	Gasket (Between adapter plate and gearcase)
301	1	See Chart	Shank pinion
305	1	See Chart	Gear
306	1	051574	Key (to 305)
315	1	07914703CY	Ball bearing (in adapter plate)
320	1	07914703CY	Ball bearing (in center plate)
321	1	051306	Retaining Ring (to 320,bore)
325	1 or 0	083304	Pinion shaft Triple Stage Ratio: 5.471
330	1 or 0	083306	Gear Triple Stage Ratio: 5.471
331	1	102044	Key (to 330)
335	1	278716	Retaining Ring (to 330)
340	1 or 0	083300	Pinion shaft Output Ratio: 4.429
340	1 or 0	083302	Pinion shaft Output Ratio: 2.840
345	1 or 0	083301	Gear Output Ratio: 4.429
345	1 or 0	083303	Gear Output Ratio: 2.840
346	1	436186	Key (to 345)
401	1	083868	Pipe Plug
405	1 or 0	084455	Oil sight glass (OPTIONAL - NOT SHOWN)
420	1 or 0	186468	Breather - Standard (NOT SHOWN)
	1 or 0	094630	Washdown Breather Kit - Optional
430	1	050980	Eye Bolt M12

(1) Original reducers were solid housing with bolt-in center plate. Housing redesigned in 2000 to have bolt on cover plate and cast in center plate. Order housing and cover plate to replace original design.

(2) When replacing shaft supplied with original solid housing also order #141 shaft spacer.

(3) Used for gearcase with bolt on access cover. Solid gearcase with old style shaft uses 087919.

(4) Also used for 180TC input until design change Feb 2005. At that time 180TC changed to use 112 adpt plate (#201) & hardware Feb 2



RENEWAL PARTS DATA

Quantis Gear Chart
Parallel Size ILH882
Double Reduction

TOTAL RATIO	1st STAGE	2nd STAGE		IEC 90D/140TC 12 MM (1)		IEC 100D/180TC 16 MM (1)		IEC 112D 18 MM (1)		G132/210TC 22 MM (1)		G160/250TC 28 MM (1)	
				1st	2nd	1st	2nd	1st	2nd	1st	2nd	1st	2nd
4.868	1.714	2.840	PINION GEAR	-----	-----	-----	-----	083507	083302	083487	083302	083486	083302
5.938	2.091	2.840	PINION GEAR	-----	-----	083450	083302	083449	083302	083448	083303	083489	083303
6.958	2.450	2.840	PINION GEAR	-----	-----	083452	083303	083449	083303	083448	083303	083447	083302
7.591	1.714	4.429	PINION GEAR	-----	-----	083540	083302	083541	083302	083543	083302	083544	083302
9.261	2.091	4.429	PINION GEAR	-----	-----	083539	083303	083539	083303	083539	083303	083539	083303
10.851	2.450	4.429	PINION GEAR	-----	-----	-----	-----	083507	083300	083487	083301	083486	083300
12.756	2.880	4.429	PINION GEAR	-----	-----	083449	083300	083448	083300	083448	083300	083447	083300
14.633	3.304	4.429	PINION GEAR	-----	-----	083452	083301	083452	083301	083452	083301	083452	083301
17.273	3.900	4.429	PINION GEAR	-----	-----	083540	083300	083541	083300	083543	083300	083544	083300
18.721	4.227	4.429	PINION GEAR	-----	-----	083539	083301	083539	083301	083539	083301	083539	083301
20.816	4.700	4.429	PINION GEAR	-----	-----	083504	083300	083503	083300	083502	083300	083501	083300
22.610	5.105	4.429	PINION GEAR	-----	-----	083509	083301	083509	083301	083509	083301	083509	083301
25.011	5.647	4.429	PINION GEAR	-----	-----	083522	083300	083524	083300	083478	083300	083477	083300
26.853	6.063	4.429	PINION GEAR	-----	-----	083481	083301	083481	083301	083481	083301	083481	083301
28.935	6.533	4.429	PINION GEAR	-----	-----	083520	083300	083521	083300	083473	083300	083471	083300
31.317	7.071	4.429	PINION GEAR	-----	-----	083476	083301	083476	083301	083476	083301	083476	083301
34.068	7.692	4.429	PINION GEAR	-----	-----	083467	083300	083466	083300	083465	083300	083464	083300
37.279	8.417	4.429	PINION GEAR	-----	-----	083435	083301	083435	083301	083435	083301	083435	083301
41.907	9.462	4.429	PINION GEAR	-----	-----	083517	083300	083519	083300	083423	083300	083422	083300
45.765	10.333	4.429	PINION GEAR	-----	-----	083428	083301	083428	083301	083428	083301	083428	083301
50.734	11.455	4.429	PINION GEAR	-----	-----	083460	083300	083458	083300	083416	083300	083415	083300
				-----	-----	083421	083301	083421	083301	083421	083301	083421	083301
				-----	-----	083515	083300	083516	083300	083377	083300	083375	083300
				-----	-----	083388	083301	083388	083301	083388	083301	083388	083301
				-----	-----	083455	083300	083454	083300	083408	083300	083406	083300
				-----	-----	083414	083301	083414	083301	083414	083301	083414	083301
				-----	-----	083525	083300	083374	083300	083371	083300	-----	-----
				-----	-----	083383	083301	083383	083301	083383	083301	-----	-----
				-----	-----	083443	083300	083355	083300	083353	083300	-----	-----
				-----	-----	083405	083301	083405	083301	083405	083301	-----	-----
				-----	-----	083514	083300	083352	083300	083351	083300	-----	-----
				-----	-----	083403	083301	083403	083301	083403	083301	-----	-----
				-----	-----	083440	083300	083591	083300	083590	083300	-----	-----
				-----	-----	083333	083301	083333	083301	083333	083301	-----	-----
				-----	-----	083346	083300	083345	083300	-----	-----	-----	-----
				-----	-----	083400	083301	083400	083301	-----	-----	-----	-----
				-----	-----	083587	083300	083586	083300	-----	-----	-----	-----
				-----	-----	083393	083301	083393	083301	-----	-----	-----	-----
				-----	-----	083582	083300	083580	083300	-----	-----	-----	-----
				-----	-----	083391	083301	083391	083301	-----	-----	-----	-----

(1) Pinion shank diameter changes by motor frame size.



RENEWAL PARTS DATA

QUANTIS ILH SIZE 88

GEARING CHART

TRIPLE REDUCTION

TOTAL RATIO	1st STAGE	2nd STAGE	3rd STAGE		IEC 63-71D/56C – 9 MM (1)			IEC 80D – 10 MM (1)			IEC 90D/140TC – 12 MM (1)			IEC 100D/180TC – 16 MM (1)				
					1st	2nd	3rd	1st	2nd	3rd	1st	2nd	3rd	1st	2nd	3rd		
34.14	1.41	5.47	4.43	PINION GEAR	-----	-----	-----	-----	-----	-----	-----	-----	-----	-----	-----	-----	-----	-----
41.19	1.70	5.47	4.43	PINION GEAR	-----	-----	-----	-----	-----	-----	-----	-----	-----	-----	-----	-----	-----	-----
49.43	2.04	5.47	4.43	PINION GEAR	-----	-----	-----	-----	-----	-----	-----	-----	-----	-----	-----	-----	-----	-----
57.94	2.39	5.47	4.43	PINION GEAR	-----	-----	-----	-----	-----	-----	-----	-----	-----	-----	-----	-----	-----	-----
69.06	2.85	5.47	4.43	PINION GEAR	-----	-----	-----	-----	-----	-----	-----	-----	-----	-----	-----	-----	-----	-----
74.90	3.09	5.47	4.43	PINION GEAR	083469	083304	083300	083468	083304	083300	083467	083304	083300	083456	083304	083300	083456	083304
83.60	3.45	5.47	4.43	PINION GEAR	083434	083306	083301	083434	083306	083301	083434	083306	083301	083434	083306	083301	083434	083306
90.55	3.74	5.47	4.43	PINION GEAR	083463	083304	083300	083462	083304	083300	083462	083304	083300	083459	083304	083300	083459	083304
102.62	4.24	5.47	4.43	PINION GEAR	083420	083306	083301	083420	083306	083301	083420	083306	083301	083420	083306	083301	083420	083306
110.57	4.56	5.47	4.43	PINION GEAR	083387	083306	083301	083387	083306	083301	083387	083306	083301	083387	083306	083301	083387	083306
119.53	4.93	5.47	4.43	PINION GEAR	083413	083306	083301	083413	083306	083301	083413	083306	083301	083413	083306	083301	083413	083306
129.81	5.36	5.47	4.43	PINION GEAR	083382	083306	083301	083382	083306	083301	083382	083306	083301	083382	083306	083301	083382	083306
143.52	5.92	5.47	4.43	PINION GEAR	083446	083304	083300	083444	083304	083300	083443	083304	083300	083355	083304	083300	083355	083304
155.49	6.42	5.47	4.43	PINION GEAR	083401	083306	083301	083401	083306	083301	083401	083306	083301	083401	083306	083301	083401	083306
175.18	7.23	5.47	4.43	PINION GEAR	083332	083306	083301	083332	083306	083301	083332	083306	083301	083332	083306	083301	083332	083306
191.84	7.92	5.47	4.43	PINION GEAR	083398	083306	083301	083398	083306	083301	083398	083306	083301	083398	083306	083301	083398	083306
213.67	8.82	5.47	4.43	PINION GEAR	083499	083304	083300	083499	083304	083300	083499	083304	083300	083582	083304	083300	083582	083304
244.32	10.08	5.47	4.43	PINION GEAR	083339	083306	083301	083338	083306	083301	083337	083306	083301	083337	083306	083301	083337	083306
270.95	11.18	5.47	4.43	PINION GEAR	083336	083306	083301	083336	083306	083301	083336	083306	083301	083336	083306	083301	083336	083306
300.47	12.40	5.47	4.43	PINION GEAR	083309	083304	083300	083308	083304	083300	083307	083304	083300	083308	083304	083300	083307	083304

(1) Pinion shank diameter changes by motor frame size.



RENEWAL PARTS DATA

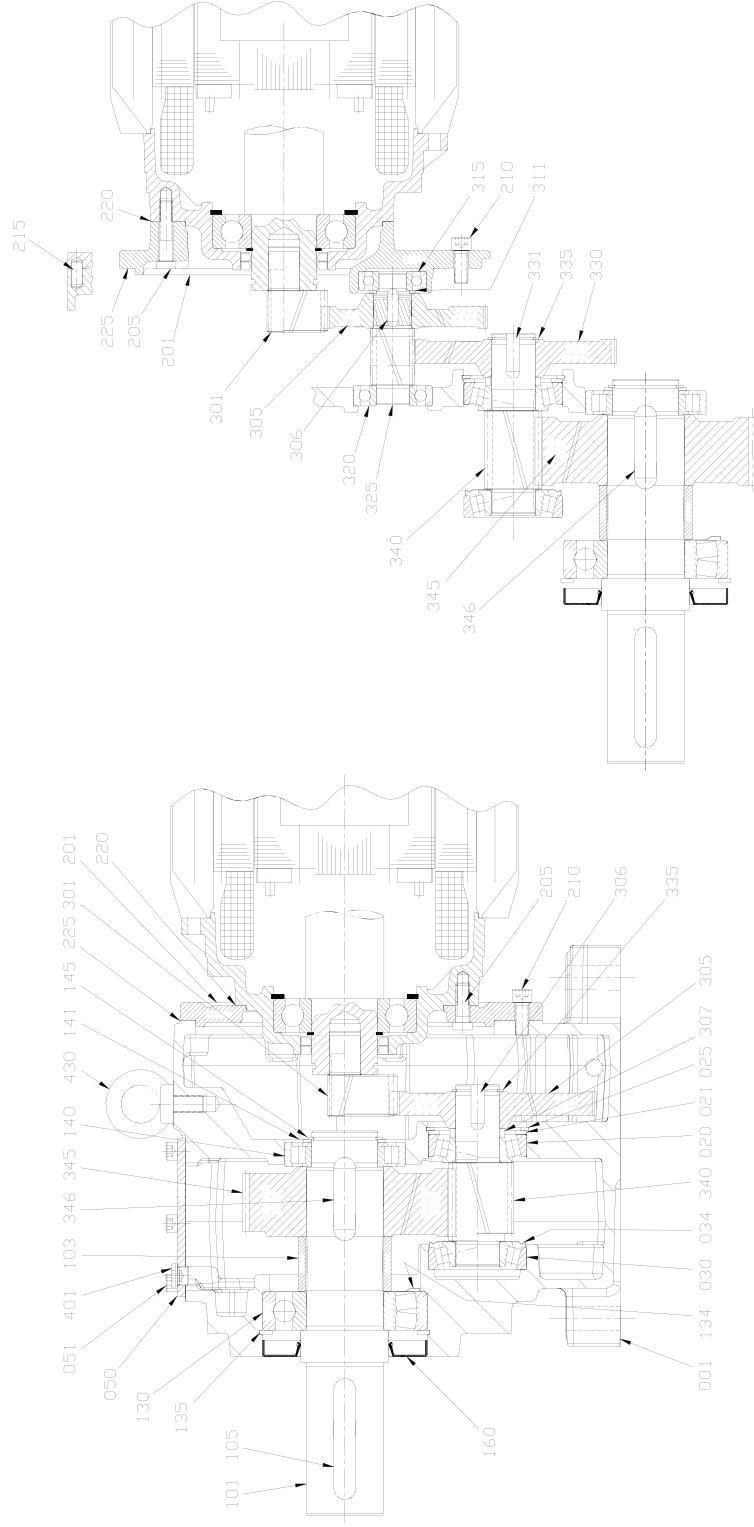
Quantis Gear Chart
Parallel Size ILH883
Triple Reduction

TOTAL RATIO	1st STAGE	2nd STAGE	3rd STAGE		IEC 112D – 18 MM (1)			IEC 132D/210TC – 22 MM (1)		
					1st	2nd	3rd	1st	2nd	3rd
34.142	1.409	5.471	4.429	PINION GEAR	083449	083304	083300	083448	083304	083300
					083451	083306	083301	083451	083306	083301
41.193	1.700	5.471	4.429	PINION GEAR	083541	083304	083300	083543	083304	083300
					083538	083306	083301	083538	083306	083301
49.431	2.040	5.471	4.429	PINION GEAR	083503	083304	083300	083502	083304	083300
					083510	083306	083301	083510	083306	083301
57.936	2.391	5.471	4.429	PINION GEAR	083524	083304	083300	083478	083304	083300
					083480	083306	083301	083480	083306	083301
69.059	2.850	5.471	4.429	PINION GEAR	083473	083304	083300	083472	083304	083300
					083475	083306	083301	083475	083306	083301
74.898	3.091	5.471	4.429	PINION GEAR	083465	083304	083300	-----	-----	-----
					083434	083306	083301	-----	-----	-----
83.597	3.450	5.471	4.429	PINION GEAR	083436	083304	083300	-----	-----	-----
					083427	083306	083301	-----	-----	-----
90.551	3.737	5.471	4.429	PINION GEAR	-----	-----	-----	-----	-----	-----
102.619	4.235	5.471	4.429	PINION GEAR	-----	-----	-----	-----	-----	-----
110.566	4.563	5.471	4.429	PINION GEAR	-----	-----	-----	-----	-----	-----
119.532	4.933	5.471	4.429	PINION GEAR	-----	-----	-----	-----	-----	-----
129.806	5.357	5.471	4.429	PINION GEAR	-----	-----	-----	-----	-----	-----
143.521	5.923	5.471	4.429	PINION GEAR	-----	-----	-----	-----	-----	-----
155.491	6.417	5.471	4.429	PINION GEAR	-----	-----	-----	-----	-----	-----
175.215	7.231	5.471	4.429	PINION GEAR	-----	-----	-----	-----	-----	-----
191.837	7.917	5.471	4.429	PINION GEAR	-----	-----	-----	-----	-----	-----
213.669	8.818	5.471	4.429	PINION GEAR	-----	-----	-----	-----	-----	-----
244.322	10.083	5.471	4.429	PINION GEAR	-----	-----	-----	-----	-----	-----
270.952	11.182	5.471	4.429	PINION GEAR	-----	-----	-----	-----	-----	-----
300.465	12.400	5.471	4.429	PINION GEAR	-----	-----	-----	-----	-----	-----

(1) Pinion shank diameter changes by motor frame size.



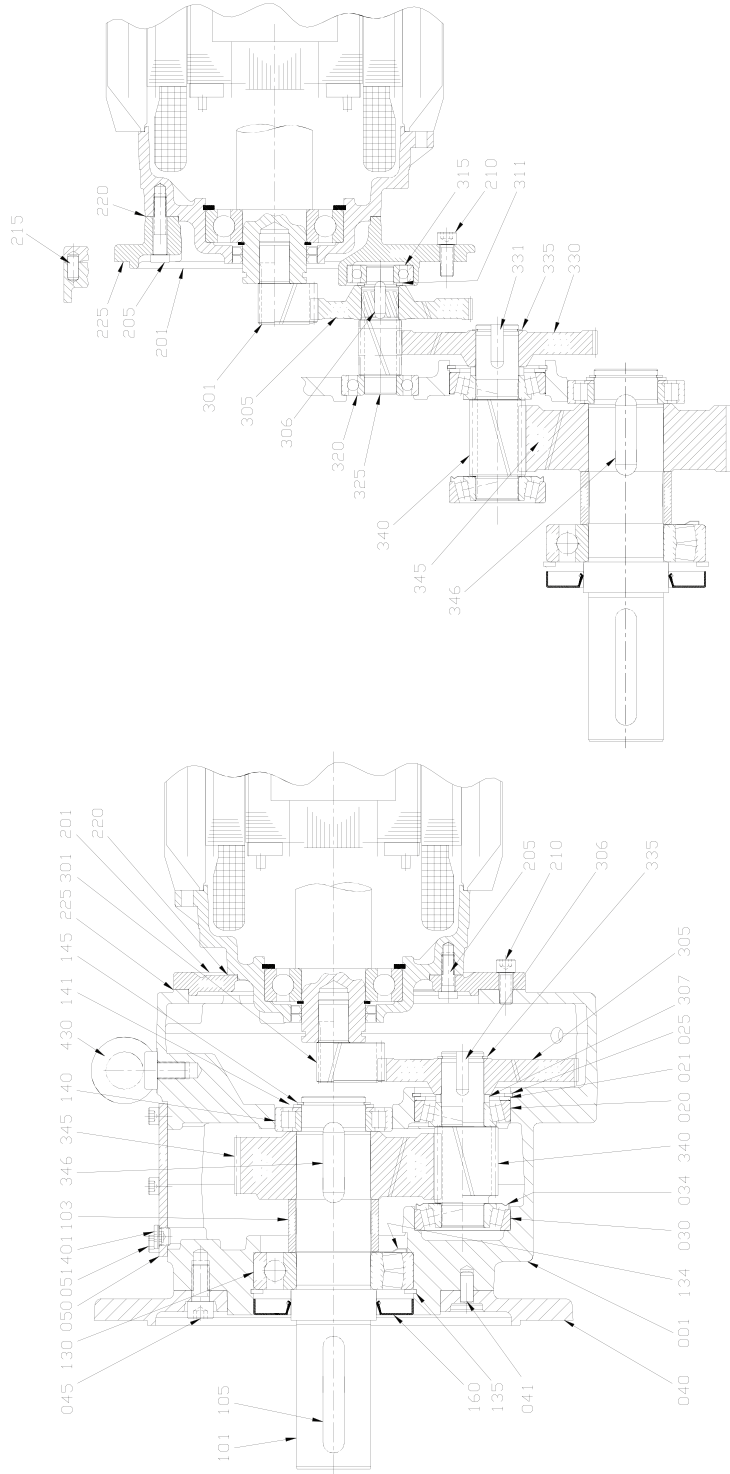
RENEWAL PARTS DATA



DODGE QUANTIS 1LH PARALLEL REDUCER	
DOUBLE & TRIPLE REDUCTION SIZE PLANS 086-3	
DODGE	
PART NUMBER 086113	

IN LINE HELICAL ILH HB108			Parts List for Helical Gear Units
Position / No.	Quantity	Part Number	Component Designation
001	1	090001	Gearcase - HB108
020	1	983010	Tapered Roller bearing (in 005) 30308
021	1	974611	Supporting ring (to 020)
021B	As Req'd	744700	Shim 80 x 90 x 0.1 (NOT SHOWN)
021B	As Req'd	085020	Shim 80 x 90 x 0.15 (NOT SHOWN)
025	1	051327	Retaining Ring (to 020,bore)
030	1	983010	Tapered Roller bearing (opposite 020) 30308
034	1	085532	Nilos Ring 30308AV
050	1	090244	Cover Plate - Steel
051	10	084770	M10 x 20 -8.8 Bolt (Cover Plate to Gearcase)
101	1 or 0	084718	Output shaft - 60 x 120 mm
101	1 or 0	084720	Output shaft - 70 x 140 mm
101	1 or 0	084728	Output shaft - 2.375 x 4.72"
101	1 or 0	084729	Output shaft - 2.875 x 5.51"
103	1 or 0	085591	Sleeve (Gear 345 - Bearing 130) - FOR USE WITH STANDARD BEARING
103	1 or 0	085590	Sleeve (Gear 345 - Bearing 130) - FOR USE WITH HEAVY DUTY BEARING
105	1 or 0	051634	Key (shaft end) 18 x 11 x 100 for 60 x 120mm shaft
105	1 or 0	652334	Key (shaft end) 20 x 12 x 110 for 70 x 140mm shaft
105	1 or 0	091834	Key (shaft end) 5/8 x 5/8 x 3-15/16 for 2.375" x 4.72" shaft
105	1 or 0	103218	Key (shaft end) 3/4 x 3/4 x 4-1/2 for 2.875" x 5.51" shaft
130	1 or 0	967822	Ball bearing (output side) - STANDARD BEARING
130	1 or 0	600121	Spherical Roller Bearing (output side) - Heavy Duty Option
133	1 or 0	085072	Nilos Ring 21314AV - Heavy Duty Option
135	1	542520	Retaining Ring (to 130,bore)
140	1	07914714A	Cylindrical Roller Bearing (opposite 130)
141	1	053745	Supporting ring (to 140,shaft, gear side)
145	1	051310	Retaining Ring (to 140,shaft)
160	1	085588	Output Seal
201	1 or 0	082410	Adapter plate - HB1082 - Frame 90 (NEMA 140)
201	1 or 0	082526	Adapter plate - HB1082 - Frame 100 (1)
201	1 or 0	082424	Adapter plate - HB1082 - Frame 112 - 180TC
201	1 or 0	082432	Adapter plate - HB1082 - Frame 132 (NEMA 210)
201	1 or 0	082442	Adapter plate - HB1082 - Frame 160 (NEMA 250)
201	1 or 0	082530	Adapter plate - HB1082 - Frames 180/200 (NEMA 280)
201	1 or 0	082478	Adapter plate - HB1083 - Frame 80/90/100 (NEMA 140) (1)
201	1 or 0	082486	Adapter plate - HB1083 - Frame 112 - 180TC
201	1 or 0	082494	Adapter plate - HB1083 - Frames 132 (NEMA 210)
201	1 or 0	082502	Adapter plate - HB1083 - Frames 160 (NEMA 250)
205	4 or 0	094033	M6 x 22-8.8 Bolt (Adapter plate to motor) - HB1082 - Frame 90-100 (NEMA 140) (1)
205	4 or 0	134941	M8 x 25-8.8 Bolt (Adapter plate to motor) - HB1082 - Frame 112 - 180TC
205	4 or 0	129847	M10 x 40-8.8 Bolt (Adapter plate to motor) - HB1082 - Frame 132 (NEMA 210)
205	4 or 0	174820	M12 x 35-8.8 Bolt (Adapter plate to motor) - HB1082 - Frame 160 (NEMA 250)
205	4 or 0	093841	M16 x 40-8.8 Bolt (Adapter plate to motor) - HB1082 - Frames 180/200 (NEMA 280)
205	4 or 0	050831	M8 x 35-8.8 Bolt (Adapter plate to motor) - HB1083 - Frame 112 - 180TC
205	3 or 0	133242	M10 x 65-8.8 Bolt (Adapter plate to motor) - HB1083 - Frame 132 (NEMA 210)
205	1 or 0	141191	M10 x 90-8.8 Bolt (Adapter plate to motor) - HB1083 - Frame 132 (NEMA 210)
205	3 or 0	085490	M12 x 55-8.8 Bolt (Adapter plate to motor) - HB1083 - Frame 160 (NEMA 250)
205	1 or 0	141192	M12 x 80-8.8 Bolt (Adapter plate to motor) - HB1083 - Frame 160 (NEMA 250)
210	8	050853	M12 x 30 -8.8 Bolt (to gear unit)
215	1 or 0	053168	Dowel Pin (3 Stage Only)
220	1 or 0	083277	Gasket (Between adapter plate and input group) - Frames 71-100 (NEMA 56-140) (1)
220	1 or 0	083278	Gasket (Between adapter plate and input group) - Frame 112 - 180TC
220	1 or 0	083279	Gasket (Between adapter plate and input group) - Frames 132 (NEMA 210)
220	1 or 0	083296	Gasket (Between adapter plate and input group) - Frames 160 (NEMA 250)
220	1 or 0	081991	Gasket (Between adapter plate and input group) - Frames 180/200 (NEMA 280)
225	1	081986	Gasket (Between adapter plate and gearcase)
301	1	See Chart	Shank pinion
305	1	See Chart	Gear
306	1	392936	Key (to 305)
307	1	085547	Sleeve
311	1	051810	Retaining Ring (to 315,bore)
315	1	07914703J	Ball bearing (in adapter plate)
320	1	082590	Ball bearing (in center plate)
325	1 or 0	084538	Pinion shaft Triple Stage Ratio: 5.438
330	1 or 0	084539	Gear Triple Stage Ratio: 5.438
331	1	392936	Key (to 330)
335	1	051296	Retaining Ring (to 330)
340	1 or 0	084558	Pinion shaft Output Ratio: 3.043
340	1 or 0	084520	Pinion shaft Output Ratio: 4.571
345	1 or 0	084559	Gear Output Ratio: 3.043
345	1 or 0	084521	Gear Output Ratio: 4.571
346	1	728420	Key (to 345)
401	4	083868	Pipe Plug
405	1 or 0	084855	Oil sight glass (OPTIONAL - NOT SHOWN)
420	1 or 0	186468	Breather - Standard (NOT SHOWN)
	1 or 0	094630	Washdown Breather Kit - Optional
430	1	050981	Eye Bolt M16

(1) Also used for 180TC input until design change Feb 2005. At that time 180TC changed to use 112 adpt plate (#201) & hardware



DODGE QUANTIS 1LH PARALLEL REDUCER	
DOUBLE & TRIPLE REDUCTION	
SIZE LH10B2-3	
DODGE	
086114	

IN LINE HELICAL ILH HF108			Parts List for Helical Gear Units
Positions-Nr.	Qty	Part Number	Component Designation
001	1	090003	Gearcase - HF108
020	1	983010	Tapered Roller bearing (in 005)
021	1	974611	Supporting ring (to 020)
021B	As Req'd	744700	Shim 80 x 90 x 0.1 (NOT SHOWN)
021B	As Req'd	085020	Shim 80 x 90 x 0.15 (NOT SHOWN)
025	1	051327	Retaining Ring (to 020,bore)
030	1	983010	Tapered Roller bearing (opposite 020)
033	1	085532	Nilos Ring 30308AV
040	1 or 0	090107	Output Flange - 350mm - B5 (Fig 2)
040	1 or 0	090109	Output Flange - 450mm - B5 (Fig 2)
041	2	084861	Dowel Pin
045	8	722812	M16 x 35-8.8 Bolt (Flange to Housing)
050	1	090244	Cover Plate - Steel
051	10	084770	M10 x 20 -8.8 Bolt (Cover Plate to Gearcase)
101	1 or 0	084718	Output shaft - 60 x 120 mm
101	1 or 0	084720	Output shaft - 70 x 140 mm
101	1 or 0	084728	Output shaft - 2.375 x 4.72"
101	1 or 0	084729	Output shaft - 2.875 x 5.51"
103	1 or 0	085591	Sleeve (Gear 345 - Bearing 130) - FOR USE WITH STANDARD BEARING
103	1 or 0	085590	Sleeve (Gear 345 - Bearing 130) - FOR USE WITH HEAVY DUTY BEARING
105	1 or 0	051634	Key (shaft end) 18 x 11 x 100 for 60 x 120mm shaft
105	1 or 0	652334	Key (shaft end) 20 x 12 x 110 for 70 x 140mm shaft
105	1 or 0	091834	Key (shaft end) 5/8 x 5/8 x 3-15/16 for 2.375" x 4.72" shaft
105	1 or 0	103218	Key (shaft end) 3/4 x 3/4 x 4-1/2 for 2.875" x 5.51" shaft
130	1 or 0	967822	Ball bearing (output side) - STANDARD BEARING
130	1 or 0	600121	Spherical Roller Bearing (output side) - HEAVY DUTY BEARING
133	1 or 0	085072	Nilos Ring 21314AV - FOR USE WITH HEAVY DUTY BEARING
135	1	542520	Retaining Ring (to 130,bore)
140	1	07914714A	Cylindrical Roller Bearing (opposite 130)
141	1	053745	Supporting ring (to 140, shaft, gear side)
145	1	051310	Retaining Ring (to 140,shaft)
160	1	085588	Output Seal (WDR AS80X150X15 DIN3760)
201	1 or 0	082410	Adapter plate - HB1082 - Frame 90 (NEMA 140)
201	1 or 0	082526	Adapter plate - HB1082 - Frame 100 (1)
201	1 or 0	082424	Adapter plate - HB1082 - Frame 112 - 180TC
201	1 or 0	082432	Adapter plate - HB1082 - Frame 132 (NEMA 210)
201	1 or 0	082442	Adapter plate - HB1082 - Frame 160 (NEMA 250)
201	1 or 0	082530	Adapter plate - HB1082 - Frames 180/200 (NEMA 280)
201	1 or 0	082478	Adapter plate - HB1083 - Frame 80/90/100 (NEMA 140) (1)
201	1 or 0	082486	Adapter plate - HB1083 - Frame 112 - 180TC
201	1 or 0	082494	Adapter plate - HB1083 - Frames 132 (NEMA 210)
201	1 or 0	082502	Adapter plate - HB1083 - Frames 160 (NEMA 250)
205	4 or 0	090433	M6 x 22-8.8 Bolt (Adapter plate to motor) - HB1082 - Frame 90 -100 (NEMA 140) (1)
205	4 or 0	134941	M8 x 25-8.8 Bolt (Adapter plate to motor) - HB1082 - Frame 112 - 180TC
205	4 or 0	129847	M10 x 40-8.8 Bolt (Adapter plate to motor) - HB1082 - Frame 132 (NEMA 210)
205	4 or 0	60245210A	M12 x 35-8.8 Bolt (Adapter plate to motor) - HB1082 - Frame 160 (NEMA 250)
205	4 or 0	093841	M16 x 40-8.8 Bolt (Adapter plate to motor) - HB1082 - Frames 180/200 (NEMA 280)
205	4 or 0	050831	M8 x 35-8.8 Bolt (Adapter plate to motor) - HB1083 - Frame 112 - 180TC
205	3 or 0	133242	M10 x 65-8.8 Bolt (Adapter plate to motor) - HB1083 - Frame 132 (NEMA 210)
205	1 or 0	141191	M10 x 90-8.8 Bolt (Adapter plate to motor) - HB1083 - Frame 132 (NEMA 210)
205	3 or 0	085490	M12 x 55-8.8 Bolt (Adapter plate to motor) - HB1083 - Frame 160 (NEMA 250)
205	1 or 0	141192	M12 x 80-8.8 Bolt (Adapter plate to motor) - HB1083 - Frame 160 (NEMA 250)
210	8	050853	M12 x 30 -8.8 Bolt (to gear unit)
215	1 or 0	053168	Dowel Pin (3 Stage Only)
220	1 or 0	083277	Gasket (Between adapter plate and input group) - Frames 71-100 (NEMA 56-140) (1)
220	1 or 0	083278	Gasket (Between adapter plate and input group) - Frame 112 180TC
220	1 or 0	083279	Gasket (Between adapter plate and input group) - Frames 132 (NEMA 210)
220	1 or 0	083296	Gasket (Between adapter plate and input group) - Frames 160 (NEMA 250)
220	1 or 0	081991	Gasket (Between adapter plate and input group) - Frames 180/200 (NEMA 280)
225	1	081986	Gasket (Between adapter plate and gearcase)
301	1	See Chart	Shank pinion
305	1	See Chart	Gear
306	1	392936	Key (to 305)
307	1	085547	Sleeve
311	1	051810	Retaining Ring (to 315,bore)
315	1	07914703J	Ball bearing (in adapter plate)
320	1	082590	Ball bearing (in center plate)
325	1 or 0	084538	Pinion shaft Triple Stage Ratio: 5.438
330	1 or 0	084539	Gear Triple Stage Ratio: 5.438
331	1	392936	Key (to 330)
335	1	051296	Retaining Ring (to 330)
340	1 or 0	084558	Pinion shaft Output Ratio: 3.043
340	1 or 0	084520	Pinion shaft Output Ratio: 4.571
345	1 or 0	084559	Gear Output Ratio: 3.043
345	1 or 0	084521	Gear Output Ratio: 4.571
346	1	728420	Key (to 345)
401	4	083868	Pipe Plug
405	1 or 0	084455	Oil sight glass (OPTIONAL - NOT SHOWN)
420	1 or 0	186468	Breather (NOT SHOWN)
	1 or 0	094630	Washdown Breather Kit - Optional
430	1	050981	Eye Bolt M16

(1) Also used for 180TC input until design change Feb 2005. At that time 180TC changed to use 112 adpt plate (#201) & hardware..



QUANTIS ILH SIZE 108

GEARING CHART

DOUBLE REDUCTION

TOTAL RATIO	1st STAGE	2nd STAGE		IEC 112D 18 MM (1)		G132/210TC 22 MM (1)		G160/250TC 28 MM (1)		180/200D/280TC	
				1st	2nd	1st	2nd	1st	2nd	1st	2nd
5.507	1.810	3.043	PINION GEAR	-----	-----	083497	084558	083495	084558	081801	084558
6.407	2.105	3.043	PINION GEAR	-----	-----	083498	084559	083498	084559	083498	084559
7.101	2.333	3.043	PINION GEAR	083507	084558	083493	084558	083492	084558	081797	084558
8.272	1.810	4.571	PINION GEAR	081746	084559	083494	084559	083494	084559	083494	084559
9.624	2.105	4.571	PINION GEAR	-----	-----	083487	084558	083486	084558	081788	084558
10.667	2.333	4.571	PINION GEAR	081746	084559	081746	084559	081746	084559	081746	084559
12.675	2.773	4.571	PINION GEAR	-----	-----	083497	084520	083495	084520	081801	084520
14.629	3.200	4.571	PINION GEAR	083498	084521	083498	084521	083498	084521	083498	084521
17.189	3.760	4.571	PINION GEAR	083493	084520	083493	084520	083492	084520	081797	084520
19.478	4.261	4.571	PINION GEAR	083494	084521	083494	084521	083494	084521	083494	084521
22.857	5.000	4.571	PINION GEAR	083487	084520	083487	084520	083486	084520	081788	084520
			PINION GEAR	081746	084521	081746	084521	081746	084521	081746	084521
			PINION GEAR	083449	084520	083448	084520	083447	084520	081776	084520
			PINION GEAR	081722	084521	081722	084521	081722	084521	081722	084521
			PINION GEAR	083541	084520	083543	084520	083544	084520	081773	084520
			PINION GEAR	081718	084521	081718	084521	081718	084521	081718	084521
			PINION GEAR	083503	084520	083502	084520	083501	084520	081783	084520
			PINION GEAR	081743	084521	081743	084521	081743	084521	081743	084521
			PINION GEAR	083524	084520	083478	084520	083477	084520	081781	084520
			PINION GEAR	081740	084521	081740	084521	081740	084521	081740	084521
			PINION GEAR	083473	084520	083472	084520	083471	084520	081956	084520
			PINION GEAR	081737	084521	081737	084521	081737	084521	081737	084521

(1) Pinion shank diameter changes by motor frame size.



QUANTIS ILH SIZE 108

GEARING CHART

DOUBLE REDUCTION

TOTAL RATIO	1st STAGE	2nd STAGE		A112 18MM (1)		G132/210TC 22 MM (1)		G160/250TC 28 MM (1)		180/200D/280TC	
				1st	2nd	1st	2nd	1st	2nd	1st	2nd
24.935	5.455	4.571	PINION GEAR	083465 081733	084520 084521	083464 081733	084520 084521	083430 081733	084520 084521	081780 081733	084520 084521
27.200	5.950	4.571	PINION GEAR	083436 081711	084520 084521	083423 081711	084520 084521	083422 081711	084520 084521	081764 081711	084520 084521
29.353	6.421	4.571	PINION GEAR	083458 081730	084520 084521	083416 081730	084520 084521	083415 081730	084520 084521	081777 081730	084520 084521
32.807	7.176	4.571	PINION GEAR	083377 081707	084520 084521	083376 081707	084520 084521	083375 081707	084520 084521	----- -----	----- -----
35.143	7.688	4.571	PINION GEAR	083408 081726	084520 084521	083407 081726	084520 084521	083406 081726	084520 084521	----- -----	----- -----
37.790	8.267	4.571	PINION GEAR	083373 081704	084520 084521	083371 081704	084520 084521	----- -----	----- -----	----- -----	----- -----
40.816	8.929	4.571	PINION GEAR	083354 081700	084520 084521	083353 081700	084520 084521	----- -----	----- -----	----- -----	----- -----
44.308	9.692	4.571	PINION GEAR	083351 081951	084520 084521	083350 081951	084520 084521	----- -----	----- -----	----- -----	----- -----
48.381	10.583	4.571	PINION GEAR	083590 081693	084520 084521	083589 081693	084520 084521	----- -----	----- -----	----- -----	----- -----
54.154	11.846	4.571	PINION GEAR	083344 081813	084520 084521	----- -----	----- -----	----- -----	----- -----	----- -----	----- -----
59.048	12.917	4.571	PINION GEAR	083594 081692	084520 084521	----- -----	----- -----	----- -----	----- -----	----- -----	----- -----

(1) Pinion shank diameter changes by motor frame size.



RENEWAL PARTS DATA

QUANTIS ILH SIZE 108

GEARING CHART

TRIPLE REDUCTION

TOTAL RATIO	1st STAGE	2nd STAGE	3rd STAGE	PINION GEAR	IEC 80D – 10 MM (1)			IEC 90D/140TC – 12 MM (1)			IEC 100D/180TC - 16 MM (1)			IEC 112D – 18 MM (1)							
					1st	2nd	3rd	1st	2nd	3rd	1st	2nd	3rd	1st	2nd	3rd					
42.612	1.714	5.438	4.571	PINION GEAR	-----	-----	-----	-----	-----	-----	-----	-----	-----	-----	-----	-----	-----	-----	-----	-----	
51.974	2.091	5.438	4.571	PINION GEAR	-----	-----	-----	-----	-----	-----	-----	-----	-----	-----	-----	-----	-----	-----	-----	-----	-----
60.900	2.450	5.438	4.571	PINION GEAR	-----	-----	-----	-----	-----	-----	-----	-----	-----	-----	-----	-----	-----	-----	-----	-----	-----
71.589	2.880	5.438	4.571	PINION GEAR	083506	084538	084520	083505	084538	084520	083504	084538	084520	083503	084538	084520	083509	084538	084520	083507	084538
82.137	3.304	5.438	4.571	PINION GEAR	083509	084539	084521	083509	084539	084521	083509	084539	084521	083509	084539	084521	083509	084539	084521	083489	084539
96.943	3.900	5.438	4.571	PINION GEAR	083537	084538	084520	083522	084538	084520	083522	084538	084520	083524	084538	084520	083524	084538	084520	083449	084538
105.078	4.227	5.438	4.571	PINION GEAR	083481	084539	084521	083481	084539	084521	083481	084539	084521	083481	084539	084521	083481	084539	084521	083452	084539
116.829	4.700	5.438	4.571	PINION GEAR	083536	084538	084520	083520	084538	084520	083520	084538	084520	083473	084538	084520	083473	084538	084520	083541	084538
126.902	5.105	5.438	4.571	PINION GEAR	083468	084538	084520	083467	084538	084520	083476	084539	084521	083476	084539	084521	083476	084539	084521	083539	084539
140.370	5.647	5.438	4.571	PINION GEAR	083435	084539	084521	083435	084539	084521	083435	084539	084521	083435	084539	084521	083435	084539	084521	083465	084538
150.696	6.063	5.438	4.571	PINION GEAR	083535	084538	084520	083517	084538	084520	083517	084538	084520	083428	084539	084521	083428	084539	084521	083436	084538
162.400	6.533	5.438	4.571	PINION GEAR	083428	084539	084521	083428	084539	084521	083428	084539	084521	083428	084539	084521	083428	084539	084521	083458	084538
175.776	7.071	5.438	4.571	PINION GEAR	083462	084538	084520	083462	084538	084520	083462	084538	084520	083454	084538	084520	083454	084538	084520	083421	084539
191.209	7.692	5.438	4.571	PINION GEAR	083532	084538	084520	083515	084538	084520	083515	084538	084520	083388	084539	084521	083388	084539	084521	083377	084538
209.214	8.417	5.438	4.571	PINION GEAR	083388	084539	084521	083388	084539	084521	083388	084539	084521	083454	084538	084520	083454	084538	084520	083388	084539
235.187	9.462	5.438	4.571	PINION GEAR	083456	084538	084520	083455	084538	084520	083455	084538	084520	083414	084539	084521	083414	084539	084521	-----	-----
256.857	10.333	5.438	4.571	PINION GEAR	083414	084539	084521	083525	084538	084520	083525	084538	084520	083374	084538	084520	083374	084538	084520	-----	-----
284.727	11.455	5.438	4.571	PINION GEAR	083444	084538	084520	083443	084538	084520	083443	084538	084520	083355	084538	084520	083355	084538	084520	-----	-----
325.214	13.083	5.438	4.571	PINION GEAR	083405	084539	084521	083405	084539	084521	083405	084539	084521	083405	084539	084521	083405	084539	084521	-----	-----
359.299	14.455	5.438	4.571	PINION GEAR	083403	084538	084520	083403	084538	084520	083403	084538	084520	083352	084538	084520	083352	084538	084520	-----	-----
					083441	084538	084520	083440	084538	084520	083440	084538	084520	083591	084538	084520	083591	084538	084520	-----	-----
					083333	084539	084521	083333	084539	084521	083333	084539	084521	083333	084539	084521	083333	084539	084521	-----	-----
					083512	084538	084520	083346	084538	084520	083346	084538	084520	083345	084538	084520	083345	084538	084520	-----	-----
					083400	084539	084521	083400	084539	084521	083400	084539	084521	083400	084539	084521	083400	084539	084521	-----	-----
					083438	084538	084520	083587	084538	084520	083587	084538	084520	083586	084538	084520	083586	084538	084520	-----	-----
					083393	084539	084521	083393	084539	084521	083393	084539	084521	083393	084539	084521	083393	084539	084521	-----	-----
					083583	084538	084520	083582	084538	084520	083582	084538	084520	083580	084538	084520	083580	084538	084520	-----	-----
					083391	084539	084521	083391	084539	084521	083391	084539	084521	083391	084539	084521	083391	084539	084521	-----	-----
					083397	084538	084520	083337	084538	084520	083337	084538	084520	083337	084538	084520	083337	084538	084520	-----	-----
					083335	084538	084520	083334	084538	084520	083334	084538	084520	083334	084538	084520	083334	084538	084520	-----	-----
					083395	084539	084521	083395	084539	084521	083395	084539	084521	083395	084539	084521	083395	084539	084521	-----	-----

(1) Pinion shank diameter changes by motor frame size.



RENEWAL PARTS DATA

QUANTIS ILH SIZE 108
GEARING CHART

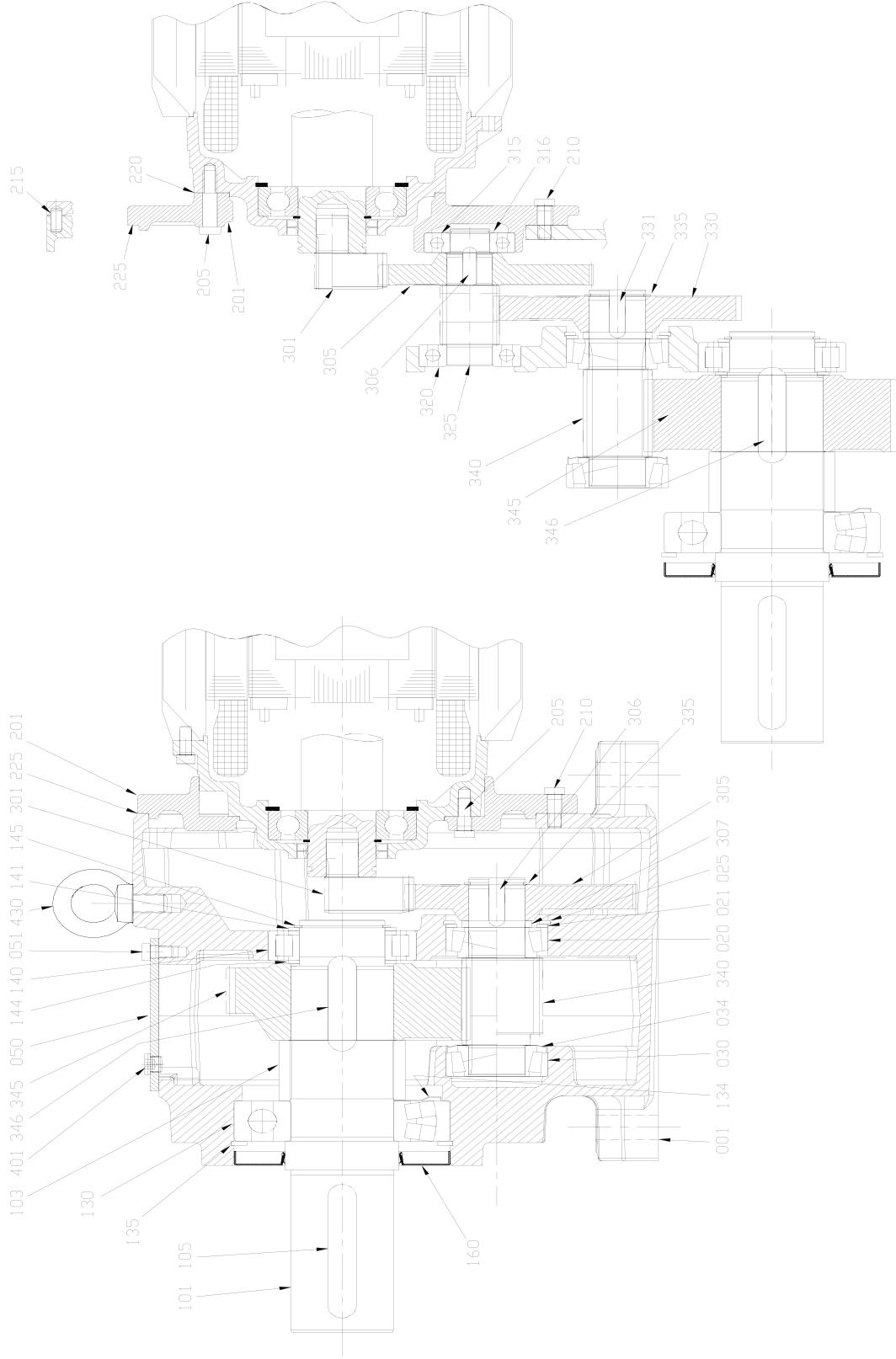
TRIPLE REDUCTION

TOTAL RATIO	IEC 132D/210TC – 22 MM (1)			IEC 160D/250TC						
	1st STAGE	2nd STAGE	3rd STAGE	1st	2nd	3rd	1st	2nd	3rd	
42.612	1.714	5.438	4.571	PINION GEAR	083487	084538	084520	083486	084538	084520
					083489	084539	084521	083489	084539	084521
51.974	2.091	5.438	4.571	PINION GEAR	083448	084538	084520	083447	084538	084520
					083452	084539	084521	083452	084539	084521
60.900	2.450	5.438	4.571	PINION GEAR	083543	084538	084520	083544	084538	084520
					083539	084539	084521	083539	084539	084521
71.589	2.880	5.438	4.571	PINION GEAR	083502	-----	-----	-----	-----	-----
					083509	-----	-----	-----	-----	-----
82.137	3.304	5.438	4.571	PINION GEAR	083478	-----	-----	-----	-----	-----
					083481	-----	-----	-----	-----	-----
96.943	3.900	5.438	4.571	PINION GEAR	083472	-----	-----	-----	-----	-----
					083476	-----	-----	-----	-----	-----
105.078	4.227	5.438	4.571	PINION GEAR	083464	-----	-----	-----	-----	-----
					083435	-----	-----	-----	-----	-----
116.829	4.700	5.438	4.571	PINION GEAR	083423	-----	-----	-----	-----	-----
					083428	-----	-----	-----	-----	-----
126.902	5.105	5.438	4.571	PINION GEAR	083416	-----	-----	-----	-----	-----
					083421	-----	-----	-----	-----	-----
140.370	5.647	5.438	4.571	PINION GEAR	-----	-----	-----	-----	-----	-----
					-----	-----	-----	-----	-----	-----
150.696	6.063	5.438	4.571	PINION GEAR	-----	-----	-----	-----	-----	-----
					-----	-----	-----	-----	-----	-----
162.400	6.533	5.438	4.571	PINION GEAR	-----	-----	-----	-----	-----	-----
					-----	-----	-----	-----	-----	-----
175.776	7.071	5.438	4.571	PINION GEAR	-----	-----	-----	-----	-----	-----
					-----	-----	-----	-----	-----	-----
191.209	7.692	5.438	4.571	PINION GEAR	-----	-----	-----	-----	-----	-----
					-----	-----	-----	-----	-----	-----
209.214	8.417	5.438	4.571	PINION GEAR	-----	-----	-----	-----	-----	-----
					-----	-----	-----	-----	-----	-----
235.187	9.462	5.438	4.571	PINION GEAR	-----	-----	-----	-----	-----	-----
					-----	-----	-----	-----	-----	-----
256.857	10.333	5.438	4.571	PINION GEAR	-----	-----	-----	-----	-----	-----
					-----	-----	-----	-----	-----	-----
284.727	11.455	5.438	4.571	PINION GEAR	-----	-----	-----	-----	-----	-----
					-----	-----	-----	-----	-----	-----
325.214	13.083	5.438	4.571	PINION GEAR	-----	-----	-----	-----	-----	-----
					-----	-----	-----	-----	-----	-----
359.299	14.455	5.438	4.571	PINION GEAR	-----	-----	-----	-----	-----	-----
					-----	-----	-----	-----	-----	-----

(1) Pinion shank diameter changes by motor frame size.



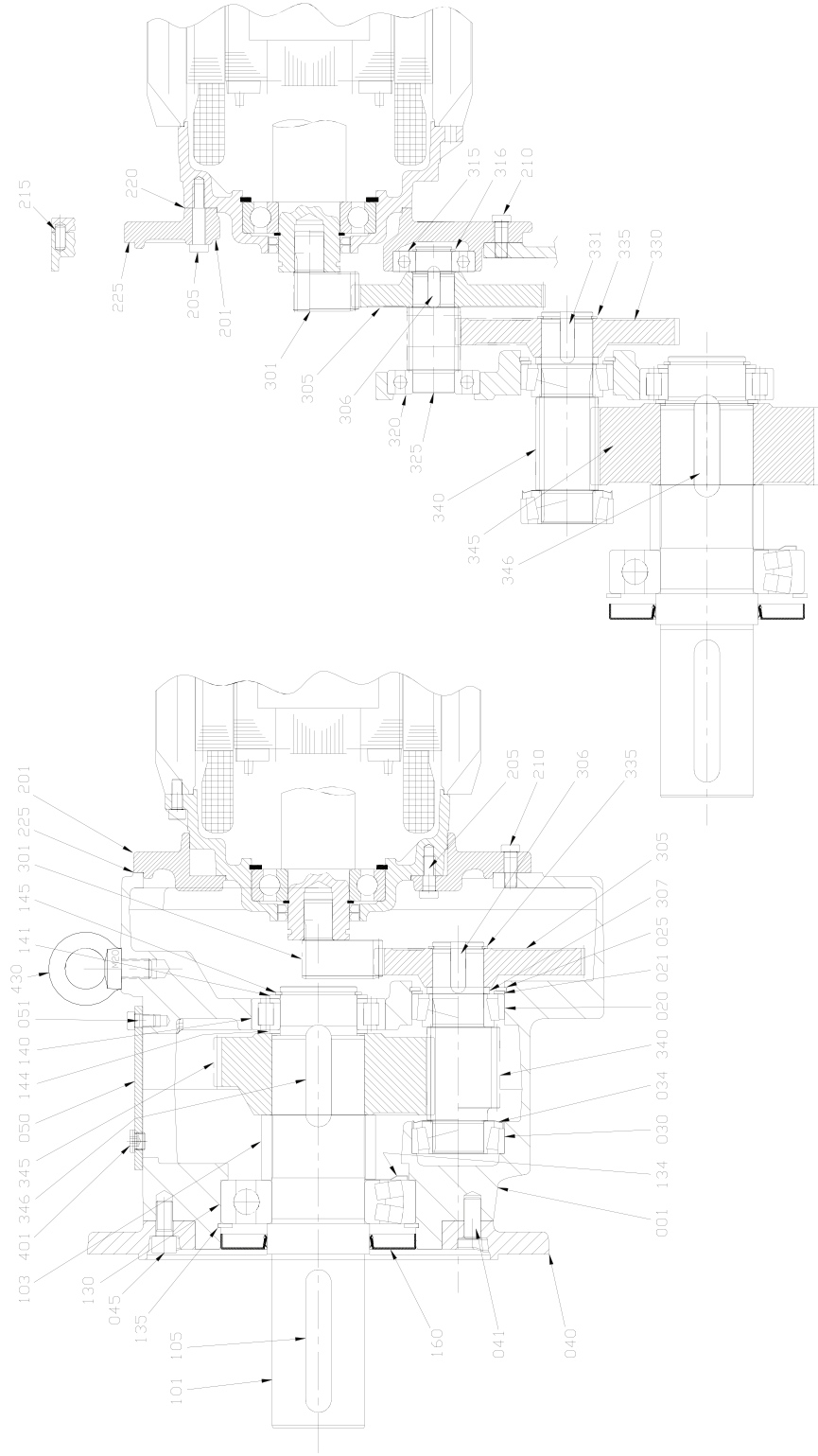
RENEWAL PARTS DATA



DODGE QUANTIS 1LH PARALLEL REDUCER	
DOUBLE & TRIPLE REDUCTION	
SIZE 1LH1282-3	
DRAWING NUMBER	
086115	

IN LINE HELICAL ILH HB128			Parts List for Helical Gear Units
Positions-Nr.	Qty	Part Number	Component Designation
001	1	090007	Gearcase - HB128
020	1	085611	Tapered Roller bearing (in 005)
021	As Req'd	744700	Shim 80 x 90 x 0.1
021	As Req'd	085020	Shim 80 x 90 x 0.15
025	1	278704	Retaining Ring (to 020,bore)
030	1	085611	Tapered Roller bearing (opposite 020)
033	1	085534	Nilos Ring 33210AV
050	1	090245	Cover Plate - Steel
051	10	090258	M12 x 20 -8.8 Bolt (Cover Plate to Gearcase)
055	2.5	824500	Loctite for Cover Plate Seal (NOT SHOWN)
101	1 or 0	084721	Output shaft - 70 x 140 mm
101	1 or 0	084722	Output shaft - 90 x 170 mm
101	1 or 0	084730	Output shaft - 2.875 x 5.51"
101	1 or 0	084731	Output shaft - 3.625 x 6.69"
103	1 or 0	085593	Sleeve (Gear 345 - Bearing 130) - FOR USE WITH STANDARD BEARING
103	1 or 0	085594	Sleeve (Gear 345 - Bearing 130) - FOR USE WITH HEAVY DUTY BEARING
105	1 or 0	652334	Key (shaft end) 20 x 12 x 110 for 70 x 140mm shaft
105	1 or 0	035376	Key (shaft end) 25 x 14 x 140 for 90 x 170mm shaft
105	1 or 0	103218	Key (shaft end) 3/4 x 3/4 x 4-1/2 for 2.875" x 5.51" shaft
105	1 or 0	107851	Key (shaft end) 7/8 x 7/8 x 5-5/8 for 3.625" x 6.69" shaft
130	1 or 0	084663	Ball bearing (output side) - STANDARD BEARING
130	1 or 0	085686	Spherical Roller Bearing (output side) - HEAVY DUTY BEARING
133	1 or 0	085533	Nilos Ring 21318AV - FOR USE WITH HEAVY DUTY BEARING
135	1	061400	Retaining Ring (to 130,bore)
140	1	681946	Cylindrical Roller Bearing (opposite 130)
141	1	974611	Supporting ring (to 140,shaft, gear side)
144	1	094441	Washer (Between 140/145)
145	1	051320	Retaining Ring (to 140,shaft)
160	1	085587	Output Seal
201	1 or 0	082416	Adapter plate - HB1282 - Frame 100 (1)
201	1 or 0	082426	Adapter plate - HB1282 - Frame 112 - 180TC
201	1 or 0	082434	Adapter plate - HB1282 - Frame 132 (NEMA 210)
201	1 or 0	082444	Adapter plate - HB1282 - Frame 160 (NEMA 250)
201	1 or 0	082452	Adapter plate - HB1282 - Frame 180/200 (NEMA 280)
201	1 or 0	082586	Adapter plate - HB1282 - Frames 225 (NEMA 320)
201	1 or 0	082480	Adapter plate - HB1283 - Frame 90/100 (NEMA 140) (1)
201	1 or 0	082488	Adapter plate - HB1283 - Frame 112 - 180TC
201	1 or 0	082496	Adapter plate - HB1283 - Frames 132 (NEMA 210)
201	1 or 0	082602	Adapter plate - HB1283 - Frames 160 (NEMA 250)
201	1 or 0	082510	Adapter plate - HB1283 - Frames 180/200 (NEMA 280)
205	4 or 0	093839	M6 x 25-8.8 Bolt (Adapter plate to motor) - HB1282 - Frame 100 (1)
205	4 or 0	134941	M8 x 25-8.8 Bolt (Adapter plate to motor) - HB1282 - Frame 112 - 180TC
205	4 or 0	050843	M10 x 30-8.8 Bolt (Adapter plate to motor) - HB1282 - Frame 132 (NEMA 210)
205	4 or 0	60245210A	M12 x 35-8.8 Bolt (Adapter plate to motor) - HB1282 - Frame 160 (NEMA 250)
205	4 or 0	093841	M16 x 40-8.8 Bolt (Adapter plate to motor) - HB1282 - Frames 180/200 (NEMA 280)
205	4 or 0	021746	M16 x 55-8.8 Bolt (Adapter plate to motor) - HB1282 - Frame 225 (NEMA 320)
205	4 or 0	093839	M6 x 25-8.8 Bolt (Adapter plate to motor) - HB1283 - Frame 90-100 (NEMA 140) (1)
205	4 or 0	050831	M8 x 35-8.8 Bolt (Adapter plate to motor) - HB1283 - Frame 112 - 180TC
205	3 or 0	093790	M10 x 60-8.8 Bolt (Adapter plate to motor) - HB1283 - Frame 132 (NEMA210)
205	1 or 0	141191	M10 x 90-8.8 Bolt (Adapter plate to motor) - HB1283 - Frame 132 (NEMA210)
205	3 or 0	085490	M12 x 55-8.8 Bolt (Adapter plate to motor) - HB1283 - Frame 160 (NEMA 250)
205	1 or 0	141192	M12 x 80-8.8 Bolt (Adapter plate to motor) - HB1283 - Frame 160 (NEMA 250)
205	3 or 0	141195	M16 x 70-8.8 Bolt (Adapter plate to motor) - HB1283 - Frame 180/200 (NEMA 280)
205	1 or 0	141196	M16 x 95-8.8 Bolt (Adapter plate to motor) - HB1283 - Frame 180/200 (NEMA280)
210	8	60245210A	M12 x 35 -8.8 Bolt (to gear unit)
215	1 or 0	053168	Dowel Pin (3 Stage Only)
220	1 or 0	083277	Gasket (Between adapter plate and input group) - Frames 71-100 (NEMA 56-140) (1)
220	1 or 0	083278	Gasket (Between adapter plate and input group) - Frame 112 - 180TC
220	1 or 0	083279	Gasket (Between adapter plate and input group) - Frames 132 (NEMA 210)
220	1 or 0	083296	Gasket (Between adapter plate and input group) - Frames 160 (NEMA 250)
220	1 or 0	081991	Gasket (Between adapter plate and input group) - Frames 180/200 (NEMA 280)
220	1 or 0	081992	Gasket (Between adapter plate and input group) - Frames 225 (NEMA 320)
225	1	081987	Gasket (Between adapter plate and gearcase)
301	1	See Chart	Shank pinion
305	1	See Chart	Gear
306	1	392936	Key (to 305)
307	1	085649	Sleeve
315	1	07914703DA	Ball bearing (in adapter plate)
316	1	051291	Retaining Ring (to 315,shaft)
320	1	082974	Ball bearing (in center plate)
325	1 or 0	084540	Pinion shaft Triple Stage Ratio: 4.765
330	1 or 0	084541	Gear Triple Stage Ratio: 4.765
331	1	441910	Key (to 330)
335	1	051304	Retaining Ring (to 330)
340	1 or 0	084560	Pinion shaft Output Ratio: 2.667
340	1 or 0	084523	Pinion shaft Output Ratio: 4.357
345	1 or 0	084561	Gear Output Ratio: 2.667
345	1 or 0	084524	Gear Output Ratio: 4.357
346	1	085598	Key (to 345)
401	4	083868	Pipe Plug
405	1 or 0	084455	Oil sight glass (OPTIONAL - NOT SHOWN)
420	1 or 0	186468	Breather (NOT SHOWN)
	1 or 0	094630	Washdown Breather Kit - Optional
430	1	050982	Eye Bolt M20

(1) Also used for 180TC input until design change Feb 2005. At that time 180TC changed to use 112 adpt plate (#201) & hardware



DODGE QUANTIS 1LH PARALLEL REDUCER	
DOUBLE & SINGLE REDUCTION	
SIZE 1LH126R-2	
PART NUMBER 086116	
DODGE	

IN LINE HELICAL ILH HF128			Parts List for Helical Gear Units
Positions-Nr.	Quantity	Part Number	Component Designation
001	1	090009	Gearcase - HF128
020	1	085611	Tapered Roller bearing (in 005)
021	As Req'd	744700	Shim 80 x 90 x 0.1
021	As Req'd	085020	Shim 80 x 90 x 0.15
025	1	278704	Retaining Ring (to 020,bore)
030	1	085611	Tapered Roller bearing (opposite 020)
033	1	085534	Nilos Ring 33210AV
040	1 or 0	090113	Output Flange - 350mm - B5 (Fig 2)
040	1 or 0	090115	Output Flange - 450mm - B5 (Fig 2)
041	2	084861	Dowel Pin
045	8	722812	M16 x 35-8.8 Bolt (Flange to Housing)
050	1	090245	Cover Plate - Steel
051	10	090258	M12 x 20 -8.8 Bolt (Cover Plate to Gearcase)
055	2.5	824500	Loctite for Cover Plate Seal (NOT SHOWN)
101	1 or 0	084721	Output shaft - 70 x 140 mm
101	1 or 0	084722	Output shaft - 90 x 170 mm
101	1 or 0	084730	Output shaft - 2.875 x 5.51"
101	1 or 0	084731	Output shaft - 3.625 x 6.69"
103	1 or 0	085593	Sleeve (Gear 345 - Bearing 130) - FOR USE WITH STANDARD BEARING
103	1 or 0	085594	Sleeve (Gear 345 - Bearing 130) - FOR USE WITH HEAVY DUTY BEARING
105	1 or 0	652334	Key (shaft end) 20 x 12 x 110 for 70 x 140mm shaft
105	1 or 0	035376	Key (shaft end) 25 x 14 x 140 for 90 x 170mm shaft
105	1 or 0	103218	Key (shaft end) 3/4 x 3/4 x 4-1/2 for 2.875" x 5.51" shaft
105	1 or 0	107851	Key (shaft end) 7/8 x 7/8 x 5-5/8 for 3.625" x 6.69" shaft
130	1 or 0	084663	Ball bearing (output side) - STANDARD BEARING
130	1 or 0	085686	Spherical Roller Bearing (output side) - HEAVY DUTY BEARING
133	1 or 0	085533	Nilos Ring 21318AV - FOR USE WITH HEAVY DUTY BEARING
135	1	061400	Retaining Ring (to 130,bore)
140	1	681946	Cylindrical Roller Bearing (opposite 130)
141	1	974611	Supporting ring (to 140,shaft, gear side)
144	1	066312	Washer (Between 140/145)
145	1	051320	Retaining Ring (to 140,shaft)
160	1	085587	Output Seal
201	1 or 0	082416	Adapter plate - HF1282 - Frame 100 (NEMA 180) (1)
201	1 or 0	082426	Adapter plate - HF1282 - Frame 112 - 180TC
201	1 or 0	082434	Adapter plate - HF1282 - Frame 132 (NEMA 210)
201	1 or 0	082444	Adapter plate - HF1282 - Frame 160 (NEMA 250)
201	1 or 0	082452	Adapter plate - HF1282 - Frame 180/200 (NEMA 280)
201	1 or 0	082586	Adapter plate - HF1282 - Frames 225 (NEMA 320)
201	1 or 0	082480	Adapter plate - HF1283 - Frame 90/100 (NEMA 140) (1)
201	1 or 0	082488	Adapter plate - HF1283 - Frame 112 - 180TC
201	1 or 0	082496	Adapter plate - HF1283 - Frames 132 (NEMA 210)
201	1 or 0	082602	Adapter plate - HF1283 - Frames 160 (NEMA 250)
201	1 or 0	082510	Adapter plate - HF1283 - Frames 180/200 (NEMA 280)
205	4 or 0	093839	M6 x 25-8.8 Bolt (Adapter plate to motor) - HF1282 - Frame 100 (1)
205	4 or 0	093853	M8 x 25-8.8 Bolt (Adapter plate to motor) - HF1282 - Frame 112 - 180TC
205	4 or 0	050843	M10 x 30-8.8 Bolt (Adapter plate to motor) - HF1282 - Frame 132 (NEMA 210)
205	4 or 0	60245210A	M12 x 35-8.8 Bolt (Adapter plate to motor) - HF1282 - Frame 160 (NEMA 250)
205	4 or 0	093841	M16 x 40-8.8 Bolt (Adapter plate to motor) - HF1282 - Frames 180/200 (NEMA 280)
205	4 or 0	021746	M16 x 55-8.8 Bolt (Adapter plate to motor) - HF1282 - Frame 225 (NEMA 320)
205	4 or 0	093839	M6 x 25-8.8 Bolt (Adapter plate to motor) - HF1283 - Frame 90-100 (NEMA 140-180)
205	4 or 0	050831	M8 x 35-8.8 Bolt (Adapter plate to motor) - HF1283 - Frame 112
205	3 or 0	093790	M10 x 60-8.8 Bolt (Adapter plate to motor) - HF1283 - Frame 132 (NEMA210)
205	1 or 0	141191	M10 x 90-8.8 Bolt (Adapter plate to motor) - HF1283 - Frame 132 (NEMA210)
205	3 or 0	085490	M12 x 55-8.8 Bolt (Adapter plate to motor) - HF1283 - Frame 160 (NEMA 250)
205	1 or 0	141192	M12 x 80-8.8 Bolt (Adapter plate to motor) - HF1283 - Frame 160 (NEMA 250)
205	3 or 0	141195	M16 x 70-8.8 Bolt (Adapter plate to motor) - HF1283 - Frame 180/200 (NEMA 280)
205	1 or 0	141196	M16 x 95-8.8 Bolt (Adapter plate to motor) - HF1283 - Frame 180/200 (NEMA280)
210	8	174820	M12 x 35 -8.8 Bolt (to gear unit)
215	1 or 0	053168	Dowel Pin (3 Stage Only)
220	1 or 0	083277	Gasket (Between adapter plate and input group) - Frames 71-100 (NEMA 56-140) (1)
220	1 or 0	083278	Gasket (Between adapter plate and input group) - Frame 112 - 180TC
220	1 or 0	083279	Gasket (Between adapter plate and input group) - Frames 132 (NEMA 210)
220	1 or 0	083296	Gasket (Between adapter plate and input group) - Frames 160 (NEMA 250)
220	1 or 0	081991	Gasket (Between adapter plate and input group) - Frames 180/200 (NEMA 280)
220	1 or 0	081992	Gasket (Between adapter plate and input group) - Frames 225 (NEMA 320)
225	1	081987	Gasket (Between adapter plate and gearcase)
301	1	See Chart	Shank pinion
305	1	See Chart	Gear
306	1	392936	Key (to 305)
307	1	085649	Sleeve
315	1	07914703DA	Ball bearing (in adapter plate)
316	1	051291	Retaining Ring (to 315,shaft)
320	1	082974	Ball bearing (in center plate)
325	1 or 0	084540	Pinion shaft Triple Stage Ratio: 4.765
330	1 or 0	084541	Gear Triple Stage Ratio: 4.765
331	1	441910	Key (to 330)
335	1	051304	Retaining Ring (to 330)
340	1 or 0	084560	Pinion shaft Output Ratio: 2.667
340	1 or 0	084523	Pinion shaft Output Ratio: 4.357
345	1 or 0	084561	Gear Output Ratio: 2.667
345	1 or 0	084524	Gear Output Ratio: 4.357
346	1	085598	Key (to 345)
401	4	083868	Pipe Plug
405	1 or 0	084455	Oil sight glass (OPTIONAL - NOT SHOWN)
420	1 or 0	186468	Breather - Standard (NOT SHOWN)
	1 or 0	094630	Washdown Breather Kit - Optional
430	1	050982	Eye Bolt M20

(1) Also used for 180TC input until design change Feb 2005. At that time 180TC changed to use 112 adpt plate (#201) & hardware.



QUANTIS ILH SIZE 128

GEARING CHART

DOUBLE REDUCTION

TOTAL RATIO	1st STAGE	2nd STAGE	G132/210TC 22 MM (1)		G160/250TC 28 MM (1)		180/200D/280TC 36 MM (1)		IEC225D/320TC 39 MM (1)	
			1st	2nd	1st	2nd	1st	2nd	1st	2nd
3.627	1.360	2.667								
			PINION GEAR	-----	083551	084560	081806	084560	081805	084560
4.827	1.810	2.667			081759	084561	081759	084561	081759	084561
			PINION GEAR	-----	083490	084560	081792	084560	081791	084560
5.587	2.095	2.667			083491	084561	083491	084561	083491	084561
			PINION GEAR	-----	083495	084560	081801	084560	081800	084560
5.926	1.360	4.357			081756	084561	081756	084561	081756	084561
			PINION GEAR	-----	083551	084523	081806	084523	081805	084523
7.886	1.810	4.357			081759	084524	081759	084524	081759	084524
			PINION GEAR	-----	083490	084523	081792	084523	081791	084523
9.128	2.095	4.357			083491	084524	083491	084524	083491	084524
			PINION GEAR	083497	084523	081801	084523	081800	081800	084523
10.779	2.474	4.357			081756	084524	081756	084524	081756	084524
			PINION GEAR	083493	084523	083492	084523	081797	081796	084523
12.034	2.762	4.357			081753	084524	081753	084524	081753	084524
			PINION GEAR	083487	084523	083486	084523	081788	081786	084523
14.060	3.227	4.357			081747	084524	081747	084524	081747	084524
			PINION GEAR	083448	084523	083447	084523	081776	081775	084523
16.121	3.700	4.357			081723	084524	081723	084524	081723	084524
			PINION GEAR	083543	084523	083544	084523	081773	081772	084523
18.639	4.278	4.357			081719	084524	081719	084524	081719	084524
			PINION GEAR	083546	084523	083547	084523	081770	081769	084523
19.345	4.440	4.357			081715	084524	081715	084524	081715	084524
			PINION GEAR	083502	084523	083501	084523	081783	081782	084523
21.406	4.913	4.357			081745	084524	081745	084524	081745	084524
			PINION GEAR	083478	084523	083477	084523	081781	081780	084523
25.053	5.750	4.357			081741	084524	081741	084524	081741	084524
			PINION GEAR	083472	084523	083471	084523	081956	081959	084523
27.131	6.227	4.357			081738	084524	081738	084524	081736	084524
			PINION GEAR	083464	084523	083430	084523	081780	081778	084523
30.281	6.950	4.357			081734	084524	081734	084524	081734	084524
			PINION GEAR	083423	084523	083422	084523	081764	081734	084523
32.102	7.368	4.357			081712	084524	081712	084524	081734	084524
			PINION GEAR	083416	084523	083415	084523	081777	081778	084523
36.394	8.353	4.357			081731	084524	081731	084524	081734	084524
			PINION GEAR	083776	084523	083375	084523	081777	081778	084523
38.943	8.938	4.357			081708	084524	081708	084524	081734	084524
			PINION GEAR	083407	084523	083406	084523	081734	081734	084523
40.956	9.400	4.357			081727	084524	081727	084524	081734	084524
			PINION GEAR	083771	084523	083771	084523	081727	081734	084523
					081705	084524	081705	084524	081734	084524

(1) Pinion shank diameter changes by motor frame size.



RENEWAL PARTS DATA

QUANTIS ILH SIZE 128

GEARING CHART

TRIPLE REDUCTION

TOTAL RATIO	1st STAGE	2nd STAGE	3rd STAGE		IEC 90D/140TC - 12 MM (1)			IEC 100D/180TC - 16 MM (1)			IEC 112D - 18 MM (1)			IEC 132D/210TC - 22 MM (1)			
					1st	2nd	3rd	1st	2nd	3rd	1st	2nd	3rd	1st	2nd	3rd	
37.578	1.810	4.765	4.357	PINION GEAR	-----	-----	-----	-----	-----	-----	-----	-----	-----	-----	-----	-----	-----
43.702	2.105	4.765	4.357	PINION GEAR	-----	-----	-----	-----	-----	-----	-----	-----	-----	-----	-----	-----	-----
48.436	2.333	4.765	4.357	PINION GEAR	-----	-----	-----	-----	-----	-----	-----	-----	-----	-----	-----	-----	-----
57.571	2.773	4.765	4.357	PINION GEAR	-----	-----	-----	-----	-----	-----	-----	-----	-----	-----	-----	-----	-----
66.436	3.200	4.765	4.357	PINION GEAR	-----	-----	-----	-----	-----	-----	-----	-----	-----	-----	-----	-----	-----
78.062	3.760	4.765	4.357	PINION GEAR	083505	084540	084523	083504	084540	084523	083503	084540	084523	083502	084540	084523	083502
88.463	4.261	4.765	4.357	PINION GEAR	081743	084541	084524	081743	084541	084524	081743	084541	084524	081743	084541	084524	081743
103.806	5.000	4.765	4.357	PINION GEAR	083522	084540	084523	083523	084541	084524	083524	084540	084523	083478	084540	084523	083478
113.252	5.455	4.765	4.357	PINION GEAR	081737	084541	084524	081737	084541	084524	081737	084541	084524	081737	084541	084524	081737
123.529	5.950	4.765	4.357	PINION GEAR	083467	084540	084523	083466	084540	084523	083465	084540	084523	083464	084540	084523	083464
133.307	6.421	4.765	4.357	PINION GEAR	081733	084541	084524	081733	084541	084524	081733	084541	084524	081733	084541	084524	081733
148.982	7.176	4.765	4.357	PINION GEAR	083517	084540	084523	083519	084540	084523	083436	084540	084523	083423	084540	084523	083423
159.611	7.688	4.765	4.357	PINION GEAR	081711	084541	084524	081711	084541	084524	081711	084541	084524	081711	084541	084524	081711
171.632	8.267	4.765	4.357	PINION GEAR	083460	084540	084523	083459	084540	084523	083458	084540	084523	083416	084540	084523	083416
185.376	8.929	4.765	4.357	PINION GEAR	081730	084541	084524	081730	084541	084524	081730	084541	084524	081730	084541	084524	081730
201.217	9.692	4.765	4.357	PINION GEAR	083515	084540	084523	083516	084540	084523	083377	084540	084523	083376	084540	084523	083376
219.715	10.583	4.765	4.357	PINION GEAR	081707	084541	084524	081707	084541	084524	081707	084541	084524	081707	084541	084524	081707
245.936	11.846	4.765	4.357	PINION GEAR	083455	084540	084523	083454	084540	084523	083408	084540	084523	083407	084540	084523	083407
268.171	12.917	4.765	4.357	PINION GEAR	081726	084541	084524	081726	084541	084524	081726	084541	084524	081726	084541	084524	081726
					083525	084540	084523	083374	084540	084523	083373	084540	084523	083371	084540	084523	083371
					081704	084541	084524	081704	084541	084524	081704	084541	084524	081704	084541	084524	081704
					083443	084540	084523	083355	084540	084523	083354	084540	084523	083353	084540	084523	083353
					081700	084541	084524	081700	084541	084524	081700	084541	084524	081700	084541	084524	081700
					083514	084540	084523	083352	084540	084523	083351	084540	084523	083350	084540	084523	083350
					081951	084541	084524	081951	084541	084524	081951	084541	084524	081951	084541	084524	081951
					083440	084540	084523	083391	084540	084523	083390	084540	084523	083389	084540	084523	083389
					081693	084541	084524	081693	084541	084524	081693	084541	084524	081693	084541	084524	081693
					083346	084540	084523	083345	084540	084523	083345	084540	084523	083344	084540	084523	083344
					081813	084541	084524	081813	084541	084524	081813	084541	084524	081813	084541	084524	081813
					083587	084540	084523	083586	084540	084523	083586	084540	084523	083586	084540	084523	083586
					081692	084541	084524	081692	084541	084524	081692	084541	084524	081692	084541	084524	081692

(1) Pinion shank diameter changes by motor frame size.

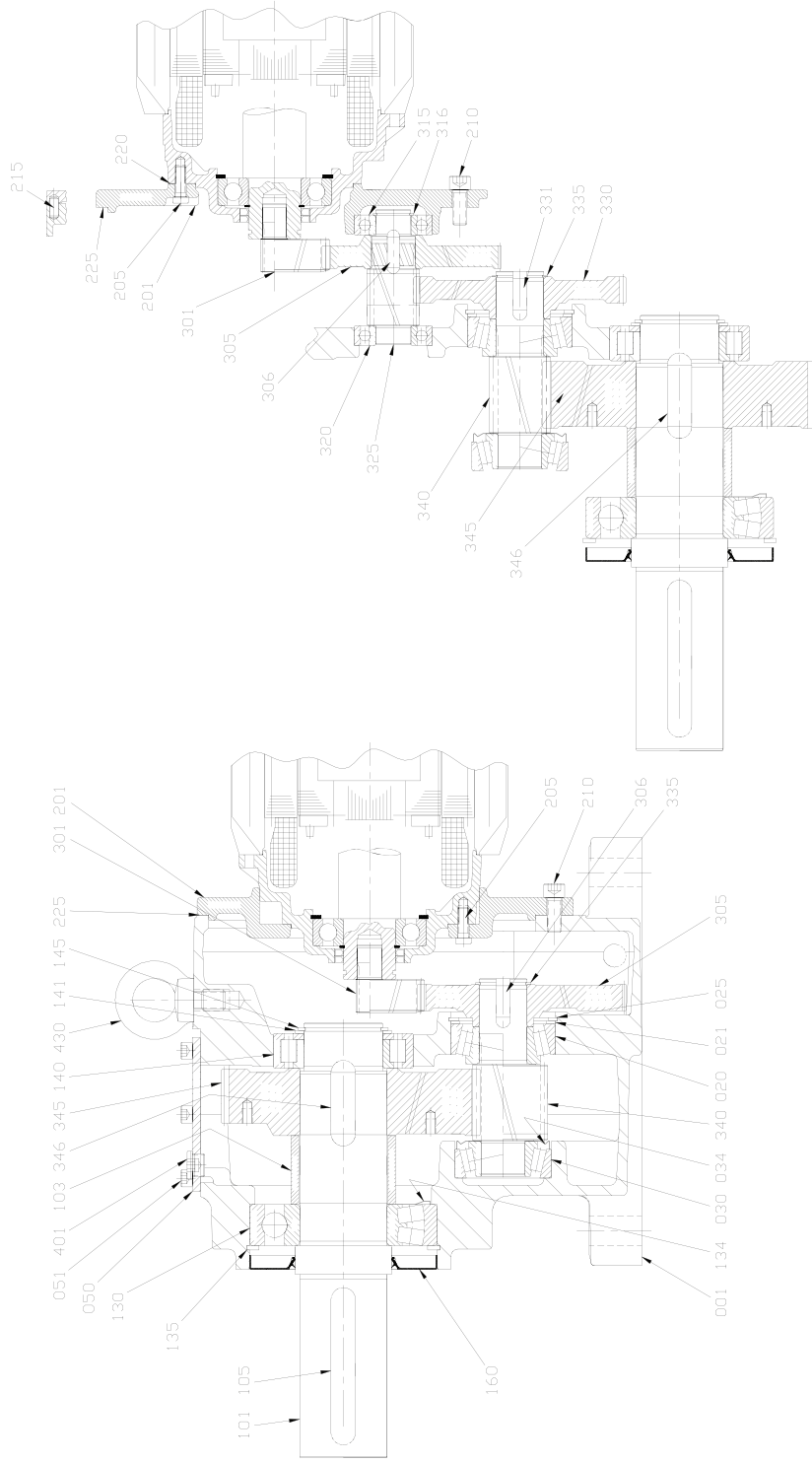


QUANTIS ILH SIZE 128
GEARING CHART

TRIPLE REDUCTION

TOTAL RATIO	1st STAGE	2nd STAGE	3rd STAGE		IEC 160D/250TC 28 MM (1)			IEC 180/200D280TC 36 MM (1)		
					1st	2nd	3rd	1st	2nd	3rd
37.578	1.810	4.765	4.357	PINION GEAR	083495	084540	084523	081801	084540	084523
					083498	084541	084524	083498	084541	084524
43.702	2.105	4.765	4.357	PINION GEAR	083492	084540	084523	081797	084540	084523
					083494	084541	084524	083494	084541	084524
48.436	2.333	4.765	4.357	PINION GEAR	083486	084540	084523	081788	084540	084523
					081746	084541	084524	081746	084541	084524
57.571	2.773	4.765	4.357	PINION GEAR	083447	084540	084523	081776	084540	084523
					081722	084541	084524	081722	084541	084524
66.436	3.200	4.765	4.357	PINION GEAR	083544	084540	084523	-----	-----	-----
					081718	084541	084524	-----	-----	-----
78.062	3.760	4.765	4.357	PINION GEAR	083501	084540	084523	-----	-----	-----
					081743	084541	084524	-----	-----	-----
88.463	4.261	4.765	4.357	PINION GEAR	083477	084540	084523	-----	-----	-----
					081740	084541	084524	-----	-----	-----
103.806	5.000	4.765	4.357	PINION GEAR	083471	084540	084523	-----	-----	-----
					081737	084541	084524	-----	-----	-----
113.252	5.455	4.765	4.357	PINION GEAR	-----	-----	-----	-----	-----	-----
123.529	5.950	4.765	4.357	PINION GEAR	-----	-----	-----	-----	-----	-----
133.307	6.421	4.765	4.357	PINION GEAR	-----	-----	-----	-----	-----	-----
148.982	7.176	4.765	4.357	PINION GEAR	-----	-----	-----	-----	-----	-----
159.611	7.688	4.765	4.357	PINION GEAR	-----	-----	-----	-----	-----	-----
171.632	8.267	4.765	4.357	PINION GEAR	-----	-----	-----	-----	-----	-----
185.376	8.929	4.765	4.357	PINION GEAR	-----	-----	-----	-----	-----	-----
201.217	9.692	4.765	4.357	PINION GEAR	-----	-----	-----	-----	-----	-----
219.715	10.583	4.765	4.357	PINION GEAR	-----	-----	-----	-----	-----	-----
245.936	11.846	4.765	4.357	PINION GEAR	-----	-----	-----	-----	-----	-----
268.171	12.917	4.765	4.357	PINION GEAR	-----	-----	-----	-----	-----	-----

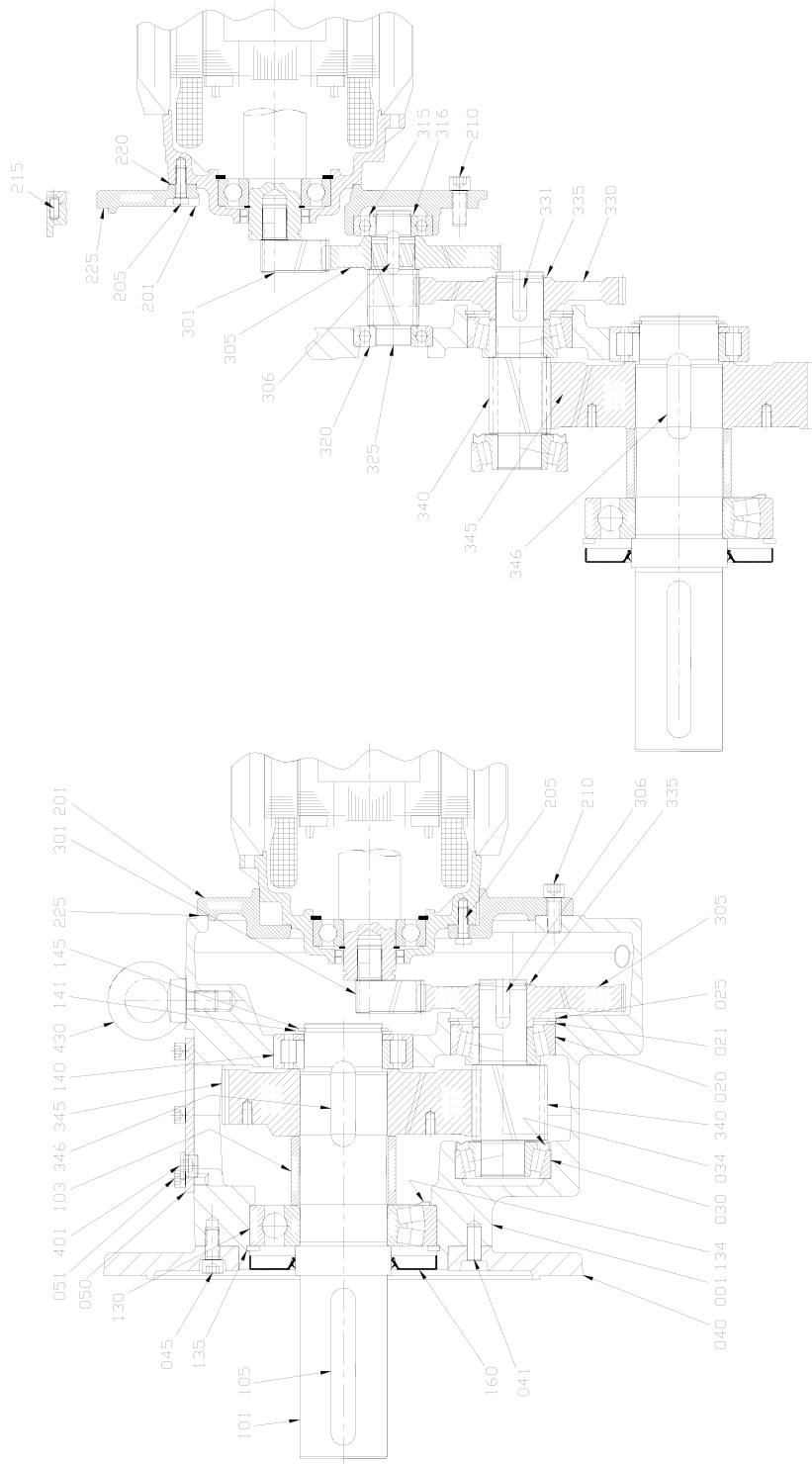
(1) Pinion shank diameter changes by motor frame size.



DODGE QUANTIS 1LH PARALLEL REDUCER	
DOUBLE & TRIPLE REDUCTION	
SIZE 1LH148R-3	
PART NUMBER	
086117	

IN LINE HELICAL ILH HB148			Parts List for Helical Gear Units
Positions-Nr.	Quantity	Part Number	Component Designation
001	1	090013	Gearcase - HB148
020	1	085701	Tapered Roller bearing (in 005)
021	1	728098	Supporting ring (to 020)
021	As Req'd	085545	Shim 90 x 110 x 0.1
021	As Req'd	680435	Shim 90 x 110 x 0.15
025	1	051335	Retaining Ring (to 020,bore)
030	1	085679	Tapered Roller bearing (opposite 020)
033	1	085536	Nilos Ring 32310AV
050	1	090246	Cover Plate - Steel
051	10	691593	M12 x 25 -8.8 Bolt (Cover Plate to Gearcase)
101	1 or 0	084723	Output shaft - 90 x 170 mm
101	1 or 0	084724	Output shaft - 100 x 210 mm
101	1 or 0	084732	Output shaft - 3.625 x 6.69"
101	1 or 0	084733	Output shaft - 4.000 x 8.27"
103	1 or 0	085595	Sleeve (Gear 345 - Bearing 130) - FOR USE WITH STANDARD BEARING
103	1 or 0	085596	Sleeve (Gear 345 - Bearing 130) - FOR USE WITH HEAVY DUTY BEARING
105	1 or 0	035376	Key (shaft end) 25 x 14 x 140 for 90 x 170mm shaft
105	1 or 0	681318	Key (shaft end) 28 x 16 x 180 for 100 x 210mm shaft
105	1 or 0	091836	Key (shaft end) 7/8 x 7/8 x 5-5/8 for 3.625" x 6.69" shaft
105	1 or 0	105812	Key (shaft end) 1 x 1 x 7-1/8 for 4.000" x 8.27" shaft
130	1 or 0	085699	Ball bearing (output side) - STANDARD BEARING
130	1 or 0	085684	Spherical Roller Bearing (output side) - HEAVY DUTY BEARING
133	1 or 0	085535	Nilos Ring 21320AV - FOR USE WITH HEAVY DUTY BEARING
135	1	681237	Retaining Ring (to 130,bore)
140	1	085614	Cylindrical Roller Bearing (opposite 130)
141	1	699500	Supporting ring (to 140,shaft, gear side)
144	1 or 0	154638	Shim 102 x 120 x 0.1 - NOT SHOWN
144	1 or 0	154637	Shim 102 x 120 x 0.15 - NOT SHOWN
145	1	051326	Retaining Ring (to 140,shaft)
160	1	085586	Output Seal
201	1 or 0	082436	Adapter plate - HB1482 - Frames 132 (NEMA 210)
201	1 or 0	082446	Adapter plate - HB1482 - Frames 160 (NEMA 250)
201	1 or 0	082454	Adapter plate - HB1482 - Frames 180/200 (NEMA 280)
201	1 or 0	082460	Adapter plate - HB1482 - Frames 225 (NEMA 320)
201	1 or 0	082464	Adapter plate - HB1482 - Frames 250 (NEMA 360)
201	1 or 0	082594	Adapter plate - HB1483 - Frames 100 (1)
201	1 or 0	082596	Adapter plate - HB1483 - Frame 112 - 180TC
201	1 or 0	082498	Adapter plate - HB1483 - Frames 132 (NEMA 210)
201	1 or 0	082506	Adapter plate - HB1483 - Frames 160 (NEMA 250)
201	1 or 0	082604	Adapter plate - HB1483 - Frames 180/200 (NEMA 280)
201	1 or 0	082516	Adapter plate - HB1483 - Frames 225 (NEMA 320)
205	4 or 0	050843	M10 x 30-8.8 Bolt (Adapter plate to motor) - HB1482 - Frames 132 (NEMA 210)
205	4 or 0	60245210A	M12 x 35-8.8 Bolt (Adapter plate to motor) - HB1482 - Frames 160 (NEMA 250)
205	4 or 0	093841	M16 x 40-8.8 Bolt (Adapter plate to motor) - HB1482 - Frames 180/200 (NEMA 280)
205	4 or 0	141193	M16 x 45-8.8 Bolt (Adapter plate to motor) - HB1482 - Frames 225-250 (NEMA 320-360)
205	4 or 0	093839	M6 x 25-8.8 Bolt (Adapter plate to motor) - HB1483 - Frames 100 (1)
205	4 or 0	050831	M8 x 35-8.8 Bolt (Adapter plate to motor) - HB1483 - Frame 112 - 180TC
205	4 or 0	133241	M10 x 45-8.8 Bolt (Adapter plate to motor) - HB1483 - Frames 132 (NEMA 210)
205	3 or 0	174820	M12 x 35-8.8 Bolt (Adapter plate to motor) - HB1483 - Frames 160 (NEMA 250)
205	1 or 0	141192	M12 x 80-8.8 Bolt (Adapter plate to motor) - HB1483 - Frames 160 (NEMA 250)
205	3 or 0	141195	M16 x 70-8.8 Bolt (Adapter plate to motor) - HB1483 - Frames 180/200 (NEMA 280)
205	1 or 0	141196	M16 x 95-8.8 Bolt (Adapter plate to motor) - HB1483 - Frames 180/200 (NEMA280)
210	8	093841	M16 x 40 -8.8 Bolt (to gear unit)
215	1 or 0	053168	Dowel Pin (3 Stage Only)
220	1 or 0	083277	Gasket (Between adapter plate and input group) - Frames 100 (1)
220	1 or 0	083278	Gasket (Between adapter plate and input group) - Frame 112 - 180TC
220	1 or 0	083279	Gasket (Between adapter plate and input group) - Frames 132 (NEMA 210)
220	1 or 0	083296	Gasket (Between adapter plate and input group) - Frames 160 (NEMA 250)
220	1 or 0	081991	Gasket (Between adapter plate and input group) - Frames 180/200 (NEMA 280)
220	1 or 0	081992	Gasket (Between adapter plate and input group) - Frames 225 (NEMA 320)
220	1 or 0	081993	Gasket (Between adapter plate and input group) - Frames 250 (NEMA 360)
225	1	081988	Gasket (Between adapter plate and gearcase)
301	1	See Chart	Shank pinion
305	1	See Chart	Gear
306	1	085689	Key (to 305)
315	1	082974	Ball bearing (in adapter plate)
316	1	051296	Retaining Ring (to 315,shaft)
320	1	082974	Ball bearing (in center plate)
325	1 or 0	084542	Pinion shaft Triple Stage Ratio: 4.688
330	1 or 0	084543	Gear Triple Stage Ratio: 4.688
331	1	085529	Key (to 330)
335	1	051308	Retaining Ring (to 330)
340	1 or 0	084562	Pinion shaft Output Ratio: 3.000
340	1 or 0	084525	Pinion shaft Output Ratio: 5.357
345	1 or 0	084563	Gear Output Ratio: 3.000
345	1 or 0	084526	Gear Output Ratio: 5.357
346	1	085683	Key (to 345)
401	4	083867	Pipe Plug
405	1	085946	Oil sight glass (OPTIONAL - NOT SHOWN)
420	1	085527	Breather (NOT SHOWN)
430	1	052528	Eye Bolt M24

(1) Also used for 180TC input until design change Feb 2005. At that time 180TC changed to use 112 adpt plate (#201) & hardware..



DODGE QUANTIS 1 1/4" PARALLEL REDUCER	
DOUBLE & TRIPLE REDUCTION	
SIZE 1 1/4"48E-3	
SERIAL NO. 086118	
DODGE	

IN LINE HELICAL ILH HF148			Parts List for Helical Gear Units
Positions-Nr.	Quantity	Part Number	Component Designation
001	1	090015	Gearcase - HF148
020	1	085701	Tapered Roller bearing (in 005)
021	1	728098	Supporting ring (to 020)
021	As Req'd	085545	Shim 90 x 110 x 0.1
021	As Req'd	680435	Shim 90 x 110 x 0.15
025	1	051335	Retaining Ring (to 020,bore)
030	1	085679	Tapered Roller bearing (opposite 020)
033	1	085536	Nilos Ring 32310AV
040	1 or 0	090115	Output Flange - 450mm - B5 (Fig 2)
040	1 or 0	090121	Output Flange - 550mm - B5 (Fig 2)
041	2	084861	Dowel Pin
045	8	722812	M16 x 35-8.8 Bolt (Flange to Housing)
050	1	090246	Cover Plate - Steel
051	10	691593	M12 x 25 -8.8 Bolt (Cover Plate to Gearcase)
101	1 or 0	084723	Output shaft - 90 x 170 mm
101	1 or 0	084724	Output shaft - 100 x 210 mm
101	1 or 0	084732	Output shaft - 3.625 x 6.69"
101	1 or 0	084733	Output shaft - 4.000 x 8.27"
103	1 or 0	085595	Sleeve (Gear 345 - Bearing 130) - FOR USE WITH STANDARD BEARING
103	1 or 0	085596	Sleeve (Gear 345 - Bearing 130) - FOR USE WITH HEAVY DUTY BEARING
105	1 or 0	035376	Key (shaft end) 25 x 14 x 140 for 90 x 170mm shaft
105	1 or 0	681318	Key (shaft end) 28 x 16 x 180 for 100 x 210mm shaft
105	1 or 0	107851	Key (shaft end) 7/8 x 7/8 x 5-5/8 for 3.625" x 6.69" shaft
105	1 or 0	105812	Key (shaft end) 1 x 1 x 7-1/8 for 4.000" x 8.27" shaft
130	1 or 0	085699	Ball bearing (output side) - STANDARD BEARING
130	1 or 0	085684	Spherical Roller Bearing (output side) - HEAVY DUTY BEARING
133	1 or 0	085535	Nilos Ring 21320AV - FOR USE WITH HEAVY DUTY BEARING
135	1	681237	Retaining Ring (to 130,bore)
140	1	085614	Cylindrical Roller Bearing (opposite 130)
141	1	699500	Supporting ring (to 140,shaft, gear side)
144	1 or 0	154638	Shim 102 x 120 x 0.1 - NOT SHOWN
144	1 or 0	154637	Shim 102 x 120 x 0.15 - NOT SHOWN
145	1	051326	Retaining Ring (to 140,shaft)
160	1	085586	Output Seal
201	1 or 0	082436	Adapter plate - HF1482 - Frames 132 (NEMA 210)
201	1 or 0	082446	Adapter plate - HF1482 - Frames 160 (NEMA 250)
201	1 or 0	082454	Adapter plate - HF1482 - Frames 180/200 (NEMA 280)
201	1 or 0	082460	Adapter plate - HF1482 - Frames 225 (NEMA 320)
201	1 or 0	082464	Adapter plate - HF1482 - Frames 250 (NEMA 360)
201	1 or 0	082594	Adapter plate - HF1483 - Frames 100 (1)
201	1 or 0	082596	Adapter plate - HF1483 - Frame 112 - 180TC
201	1 or 0	082498	Adapter plate - HF1483 - Frames 132 (NEMA 210)
201	1 or 0	082506	Adapter plate - HF1483 - Frames 160 (NEMA 250)
201	1 or 0	082604	Adapter plate - HF1483 - Frames 180/200 (NEMA 280)
201	1 or 0	082516	Adapter plate - HF1483 - Frames 225 (NEMA 320)
205	4 or 0	050843	M10 x 30-8.8 Bolt (Adapter plate to motor) - HF1482 - Frames 132 (NEMA 210)
205	4 or 0	174820	M12 x 35-8.8 Bolt (Adapter plate to motor) - HF1482 - Frames 160 (NEMA 250)
205	4 or 0	093841	M16 x 40-8.8 Bolt (Adapter plate to motor) - HF1482 - Frames 180/200 (NEMA 280)
205	4 or 0	141193	M16 x 45-8.8 Bolt (Adapter plate to motor) - HF1482 - Frames 225-250 (NEMA 320-360)
205	4 or 0	093839	M6 x 25-8.8 Bolt (Adapter plate to motor) - HF1483 - Frames 100 (1)
205	4 or 0	050831	M8 x 35-8.8 Bolt (Adapter plate to motor) - HF1483 - Frame 112 - 180TC
205	4 or 0	133241	M10 x 45-8.8 Bolt (Adapter plate to motor) - HF1483 - Frames 132 (NEMA 210)
205	3 or 0	60245210A	M12 x 35-8.8 Bolt (Adapter plate to motor) - HF1483 - Frames 160 (NEMA 250)
205	1 or 0	141192	M12 x 80-8.8 Bolt (Adapter plate to motor) - HF1483 - Frames 160 (NEMA 250)
205	3 or 0	141195	M16 x 70-8.8 Bolt (Adapter plate to motor) - HF1483 - Frames 180/200 (NEMA 280)
205	1 or 0	141196	M16 x 95-8.8 Bolt (Adapter plate to motor) - HF1483 - Frames 180/200 (NEMA280)
210	8	093841	M16 x 40 -8.8 Bolt (to gear unit)
215	1 or 0	053168	Dowel Pin (3 Stage Only)
220	1 or 0	083277	Gasket (Between adapter plate and input group) - Frames 100 (1)
220	1 or 0	083278	Gasket (Between adapter plate and input group) - Frame 112 - 180TC
220	1 or 0	083279	Gasket (Between adapter plate and input group) - Frames 132 (NEMA 210)
220	1 or 0	083296	Gasket (Between adapter plate and input group) - Frames 160 (NEMA 250)
220	1 or 0	081991	Gasket (Between adapter plate and input group) - Frames 180/200 (NEMA 280)
220	1 or 0	081992	Gasket (Between adapter plate and input group) - Frames 225 (NEMA 320)
220	1 or 0	081993	Gasket (Between adapter plate and input group) - Frames 250 (NEMA 360)
225	1	081988	Gasket (Between adapter plate and gearcase)
301	1	See Chart	Shank pinion
305	1	See Chart	Gear
306	1	085689	Key (to 305)
315	1	082974	Ball bearing (in adapter plate)
316	1	051296	Retaining Ring (to 315,shaft)
320	1	082974	Ball bearing (in center plate)
325	1 or 0	084542	Pinion shaft Triple Stage Ratio: 4.688
330	1 or 0	084543	Gear Triple Stage Ratio: 4.688
331	1	085529	Key (to 330)
335	1	051308	Retaining Ring (to 330)
340	1 or 0	084562	Pinion shaft Output Ratio: 3.000
340	1 or 0	084525	Pinion shaft Output Ratio: 5.357
345	1 or 0	084563	Gear Output Ratio: 3.000
345	1 or 0	084526	Gear Output Ratio: 5.357
346	1	085683	Key (to 345)
401	4	083867	Pipe Plug
405	1	085946	Oil sight glass (OPTIONAL - NOT SHOWN)
420	1	085527	Breather (NOT SHOWN)
430	1	052528	Eye Bolt M24

(1) Also used for 180TC input until design change Feb 2005. At that time 180TC changed to use 112 adpt plate & hardward.



RENEWAL PARTS DATA

QUANTIS ILH SIZE 148
GEARING CHART

DOUBLE REDUCTION

TOTAL RATIO	1st STAGE	2nd STAGE		G132/210TC 22 MM (1)		G160/250TC 28 MM (1)		180/200D/280TC 36 MM (1)		IEC225D/320TC 39 MM (1)		IEC 250D/360TC 42 MM (1)	
				1st	2nd	1st	2nd	1st	2nd	1st	2nd	1st	2nd
4.920	1.640	3.000	PINION GEAR	-----	-----	083551	084562	081806	084562	081805	084562	081804	084562
			GEAR			081761	084563	081761	084563	081761	084563	081761	084563
6.429	2.143	3.000	PINION GEAR	-----	-----	083490	084562	081792	084562	081791	084562	081790	084562
			GEAR			081750	084563	081750	084563	081750	084563	081750	084563
7.572	2.524	3.000	PINION GEAR	084497	084562	083495	084562	081801	084562	081800	084562	081799	084562
			GEAR	081757	084563	081757	084563	081757	084563	081757	084563	081757	084563
8.785	1.640	5.357	PINION GEAR	-----	-----	083551	084525	081806	084525	081805	084525	081804	084525
			GEAR			081761	084526	081761	084526	081761	084526	081761	084526
11.480	2.143	5.357	PINION GEAR	-----	-----	083490	084525	081792	084525	081791	084525	081790	084525
			GEAR			081750	084526	081750	084526	081750	084526	081750	084526
13.521	2.524	5.357	PINION GEAR	083497	084525	083495	084525	081801	084525	081800	084525	081799	084525
			GEAR	081757	084526	081757	084526	081757	084526	081757	084526	081757	084526
15.509	2.895	5.357	PINION GEAR	083493	084525	083492	084525	081797	084525	081796	084525	081794	084525
			GEAR	081754	084526	081754	084526	081754	084526	081754	084526	081754	084526
17.089	3.190	5.357	PINION GEAR	083487	084525	083486	084525	081788	084525	081786	084525	081785	084525
			GEAR	081748	084526	081748	084526	081748	084526	081748	084526	081748	084526
20.212	3.773	5.357	PINION GEAR	083448	084525	083447	084525	081776	084525	081775	084525	081774	084525
			GEAR	081724	084526	081724	084526	081724	084526	081724	084526	081724	084526
23.035	4.300	5.357	PINION GEAR	083543	084525	083544	084525	081773	084525	081772	084525	081771	084525
			GEAR	081720	084526	081720	084526	081720	084526	081720	084526	081720	084526
26.485	4.944	5.357	PINION GEAR	083546	084525	083547	084525	081770	084525	081769	084525	081768	084525
			GEAR	081716	084526	081716	084526	081716	084526	081716	084526	081716	084526
30.278	5.652	5.357	PINION GEAR	083478	084525	083477	084525	081781	084525	081960	084525	081961	084525
			GEAR	081742	084526	081742	084526	081742	084526	081742	084526	081742	084526
35.088	6.550	5.357	PINION GEAR	083472	084525	083471	084525	081956	084525	081959	084525	-----	-----
			GEAR	081739	084526	081739	084526	081739	084526	081739	084526	-----	-----
38.228	7.136	5.357	PINION GEAR	083464	084525	083430	084525	081780	084525	081778	084525	-----	-----
			GEAR	081735	084526	081735	084526	081735	084526	081735	084526	-----	-----
42.588	7.950	5.357	PINION GEAR	083423	084525	083422	084525	081764	084525	-----	-----	-----	-----
			GEAR	081713	084526	081713	084526	081713	084526	-----	-----	-----	-----
45.111	8.421	5.357	PINION GEAR	083416	084525	083415	084525	081777	084525	-----	-----	-----	-----
			GEAR	081732	084526	081732	084526	081732	084526	-----	-----	-----	-----

(1) Pinion shank diameter changes by motor frame size.

QUANTIS ILH SIZE 148
GEARING CHART

TRIPLE REDUCTION

TOTAL RATIO	1st STAGE	2nd STAGE	3rd STAGE		IEC 100D/180TC - 16 MM (1)			IEC 112D - 18 MM (1)			IEC 132D/210TC - 22 MM (1)			IEC 160D/250TC 28 MM (1)					
					1st	2nd	3rd	1st	2nd	3rd	1st	2nd	3rd	1st	2nd	3rd			
34.155	1.360	4.688	5.357	PINION GEAR	-----	-----	-----	-----	-----	-----	-----	-----	-----	-----	-----	-----	-----	-----	-----
45.456	1.810	4.688	5.357	PINION GEAR	-----	-----	-----	-----	-----	-----	-----	-----	-----	-----	-----	-----	-----	-----	-----
52.613	2.095	4.688	5.357	PINION GEAR	-----	-----	-----	-----	-----	-----	-----	-----	-----	-----	-----	-----	-----	-----	-----
62.131	2.474	4.688	5.357	PINION GEAR	-----	-----	-----	-----	-----	-----	-----	-----	-----	-----	-----	-----	-----	-----	-----
69.364	2.762	4.688	5.357	PINION GEAR	-----	-----	-----	-----	-----	-----	-----	-----	-----	-----	-----	-----	-----	-----	-----
81.042	3.227	4.688	5.357	PINION GEAR	-----	-----	-----	-----	-----	-----	-----	-----	-----	-----	-----	-----	-----	-----	-----
92.920	3.700	4.688	5.357	PINION GEAR	-----	-----	-----	-----	-----	-----	-----	-----	-----	-----	-----	-----	-----	-----	-----
107.436	4.278	4.688	5.357	PINION GEAR	-----	-----	-----	-----	-----	-----	-----	-----	-----	-----	-----	-----	-----	-----	-----
111.504	4.440	4.688	5.357	PINION GEAR	-----	-----	-----	-----	-----	-----	-----	-----	-----	-----	-----	-----	-----	-----	-----
123.383	4.913	4.688	5.357	PINION GEAR	-----	-----	-----	-----	-----	-----	-----	-----	-----	-----	-----	-----	-----	-----	-----
144.403	5.750	4.688	5.357	PINION GEAR	-----	-----	-----	-----	-----	-----	-----	-----	-----	-----	-----	-----	-----	-----	-----
156.382	6.227	4.688	5.357	PINION GEAR	-----	-----	-----	-----	-----	-----	-----	-----	-----	-----	-----	-----	-----	-----	-----
174.540	6.950	4.688	5.357	PINION GEAR	-----	-----	-----	-----	-----	-----	-----	-----	-----	-----	-----	-----	-----	-----	-----
185.037	7.368	4.688	5.357	PINION GEAR	-----	-----	-----	-----	-----	-----	-----	-----	-----	-----	-----	-----	-----	-----	-----
209.774	8.353	4.688	5.357	PINION GEAR	-----	-----	-----	-----	-----	-----	-----	-----	-----	-----	-----	-----	-----	-----	-----
224.465	8.938	4.688	5.357	PINION GEAR	-----	-----	-----	-----	-----	-----	-----	-----	-----	-----	-----	-----	-----	-----	-----
236.068	9.400	4.688	5.357	PINION GEAR	-----	-----	-----	-----	-----	-----	-----	-----	-----	-----	-----	-----	-----	-----	-----
254.727	10.143	4.688	5.357	PINION GEAR	-----	-----	-----	-----	-----	-----	-----	-----	-----	-----	-----	-----	-----	-----	-----
276.250	11.000	4.688	5.357	PINION GEAR	-----	-----	-----	-----	-----	-----	-----	-----	-----	-----	-----	-----	-----	-----	-----
301.363	12.000	4.688	5.357	PINION GEAR	-----	-----	-----	-----	-----	-----	-----	-----	-----	-----	-----	-----	-----	-----	-----
336.146	13.385	4.688	5.357	PINION GEAR	-----	-----	-----	-----	-----	-----	-----	-----	-----	-----	-----	-----	-----	-----	-----

(1) Pinion shank diameter changes by motor frame size.



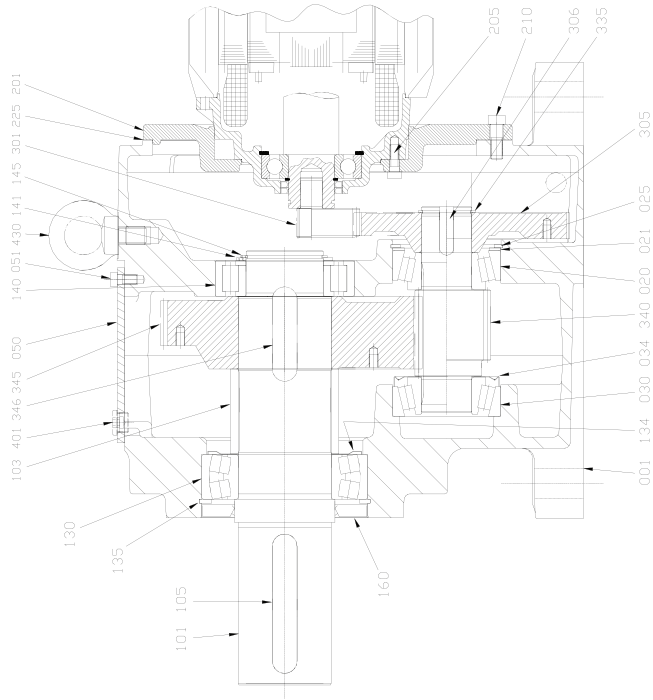
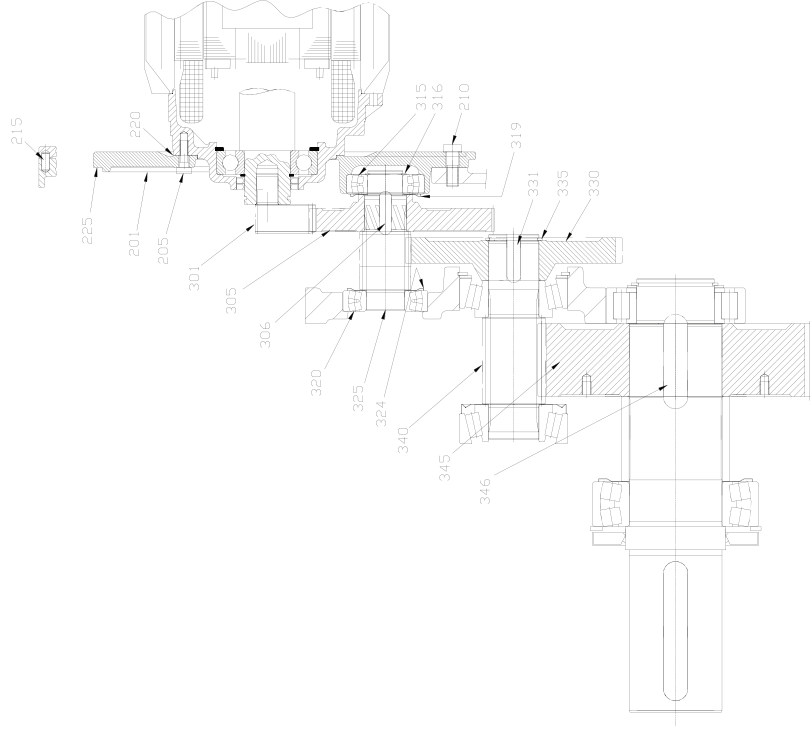
RENEWAL PARTS DATA

QUANTIS ILH SIZE 148
GEARING CHART

TRIPLE REDUCTION

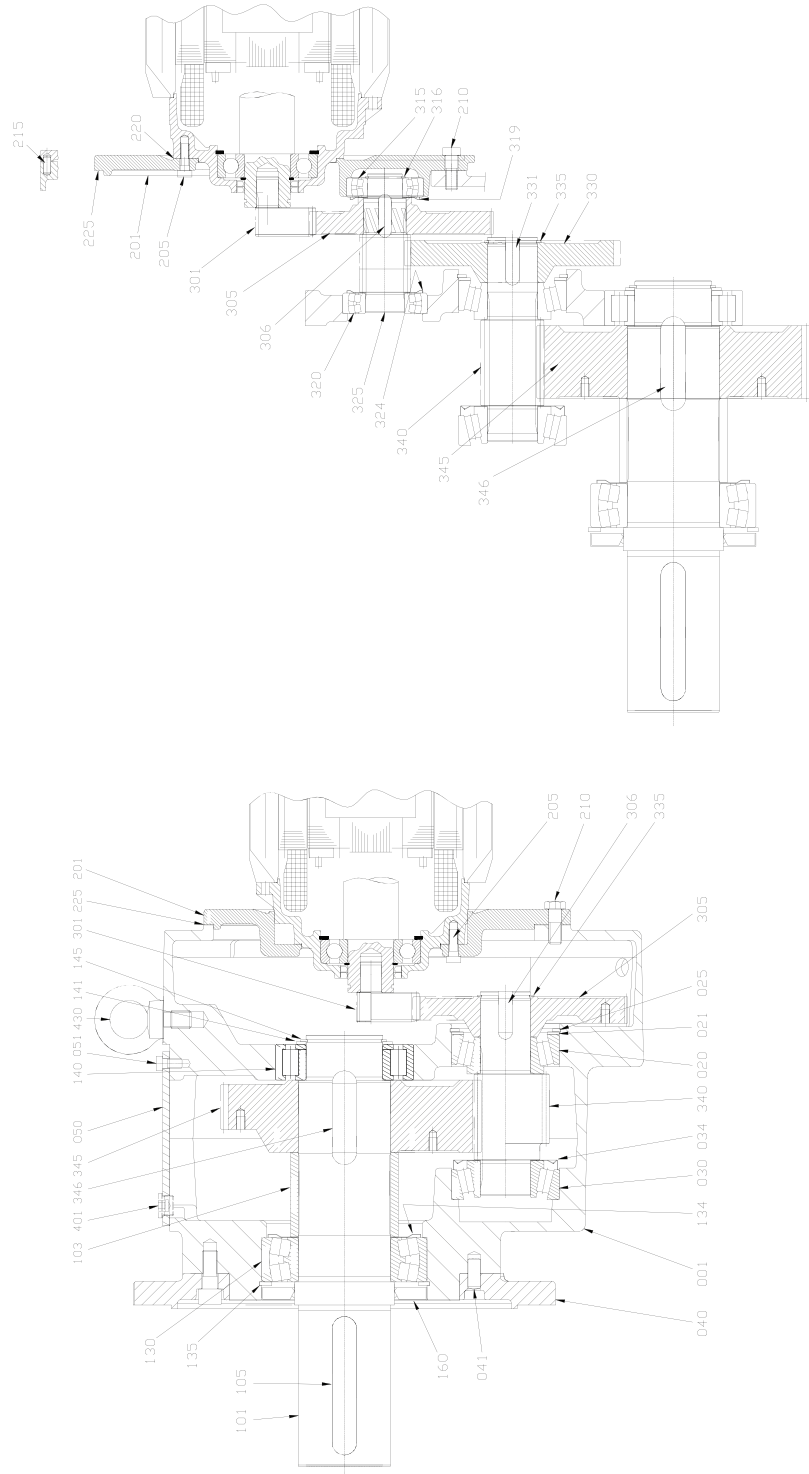
TOTAL RATIO	IEC 180/200D280TC 36 MM (1)		IEC 225D/320TC 39 MM (1)			IEC 250D/360TC 42 MM (1)						
	1st STAGE	2nd STAGE	3rd STAGE	1st	2nd	3rd	1st	2nd	3rd			
34.155	1.360	4.688	5.357	PINION GEAR	081806 081759	084542 084543	084525 084526	081805 081759	084542 084543	084525 084526	----- -----	----- -----
45.456	1.810	4.688	5.357	PINION GEAR	081792 083491	084542 084543	084525 084526	081791 083491	084542 084543	084525 084526	----- -----	----- -----
52.613	2.095	4.688	5.357	PINION GEAR	081801 081756	084542 084543	084525 084526	081800 081756	084542 084543	084525 084526	----- -----	----- -----
62.131	2.474	4.688	5.357	PINION GEAR	081806 081753	084542 084543	084525 084526	----- -----	----- -----	----- -----	----- -----	----- -----
69.364	2.762	4.688	5.357	PINION GEAR	081792 081747	084542 084543	084525 084526	----- -----	----- -----	----- -----	----- -----	----- -----
81.042	3.227	4.688	5.357	PINION GEAR	081801 081723	084542 084543	084525 084526	----- -----	----- -----	----- -----	----- -----	----- -----
92.920	3.700	4.688	5.357	PINION GEAR	081797 081719	084542 084543	084525 084526	----- -----	----- -----	----- -----	----- -----	----- -----
107.436	4.278	4.688	5.357	PINION GEAR	-----	-----	-----	-----	-----	-----	-----	-----
111.504	4.440	4.688	5.357	PINION GEAR	-----	-----	-----	-----	-----	-----	-----	-----
123.383	4.913	4.688	5.357	PINION GEAR	-----	-----	-----	-----	-----	-----	-----	-----
144.403	5.750	4.688	5.357	PINION GEAR	-----	-----	-----	-----	-----	-----	-----	-----
156.382	6.227	4.688	5.357	PINION GEAR	-----	-----	-----	-----	-----	-----	-----	-----
174.540	6.950	4.688	5.357	PINION GEAR	-----	-----	-----	-----	-----	-----	-----	-----
185.037	7.368	4.688	5.357	PINION GEAR	-----	-----	-----	-----	-----	-----	-----	-----
209.774	8.353	4.688	5.357	PINION GEAR	-----	-----	-----	-----	-----	-----	-----	-----
224.465	8.938	4.688	5.357	PINION GEAR	-----	-----	-----	-----	-----	-----	-----	-----
236.068	9.400	4.688	5.357	PINION GEAR	-----	-----	-----	-----	-----	-----	-----	-----
254.727	10.143	4.688	5.357	PINION GEAR	-----	-----	-----	-----	-----	-----	-----	-----
276.250	11.000	4.688	5.357	PINION GEAR	-----	-----	-----	-----	-----	-----	-----	-----
301.363	12.000	4.688	5.357	PINION GEAR	-----	-----	-----	-----	-----	-----	-----	-----
336.146	13.385	4.688	5.357	PINION GEAR	-----	-----	-----	-----	-----	-----	-----	-----

(1) Pinion shank diameter changes by motor frame size.



DESIGN QUANTIS TILJ FÖRDELIG BÄNDEP	
DOUBLE & TRIPLE PROJECTION	
SIZE 1/2" (12.7mm)	
PART NO. 086119	
DABDAK	

IN LINE HELICAL ILH HB168			Parts List for Helical Gear Units
Positions-Nr.	Quantity	Part Number	Component Designation
001	1	090019	Gearcase - HB168
020	1	725382	Tapered Roller bearing (in 005)
021	1	085489	Supporting ring (to 020)
021	As Req'd	987477	Shim 125 x 140 x 0.1
021	As Req'd	085035	Shim 125 x 140 x 0.15
025	1	051338	Retaining Ring (to 020,bore)
030	1	725382	Tapered Roller bearing (opposite 020)
033	1	085538	Nilos Ring 32313AV
050	1	090247	Cover Plate - Steel
051	10	691593	M12 x 25 -8.8 Bolt (Cover Plate to Gearcase)
101	1 or 0	084725	Output shaft - 100 x 210 mm
101	1 or 0	084726	Output shaft - 120 x 210 mm
101	1 or 0	084734	Output shaft - 4.000" x 8.27"
101	1 or 0	084736	Output shaft - 4.750" x 8.27"
103	1	085597	Sleeve (Gear 345 - Bearing 130)
105	1 or 0	681318	Key (shaft end) 28 x 16 x 180 for 100 x 210mm shaft
105	1 or 0	681245	Key (shaft end) 32 x 18 x 180 for 120 x 210mm shaft
105	1 or 0	105812	Key (shaft end) 1 x 1 x 7-1/8 for 4.000" x 8.27" shaft
105	1 or 0	105814	Key (shaft end) 1-1/4 x 1-1/4 x 7 for 4.750" x 8.27" shaft
130	1	681261	Spherical Roller Bearing (output side)
133	1	085537	Nilos Ring 22224AV
135	1	681237	Retaining Ring (to 130,bore)
140	1	085617	Cylindrical Roller Bearing (opposite 130)
141	1	085541	Supporting ring (to 140,shaft, gear side)
145	1	051330	Retaining Ring (to 140,shaft)
160	1	085585	Output Seal
201	1 or 0	082438	Adapter plate - HB1682 - Frames 132 (NEMA 210)
201	1 or 0	082448	Adapter plate - HB1682 - Frames 160 (NEMA 250)
201	1 or 0	082456	Adapter plate - HB1682 - Frames 180/200 (NEMA 280)
201	1 or 0	082462	Adapter plate - HB1682 - Frames 225 (NEMA 320)
201	1 or 0	082588	Adapter plate - HB1682 - Frames 250 (NEMA 360)
201	1 or 0	082500	Adapter plate - HB1683 - Frames 132 (NEMA 210)
201	1 or 0	082508	Adapter plate - HB1683 - Frames 160 (NEMA 250)
201	1 or 0	082514	Adapter plate - HB1683 - Frames 180/200 (NEMA 280)
201	1 or 0	082518	Adapter plate - HB1683 - Frames 225 (NEMA 320)
201	1 or 0	082606	Adapter plate - HB1683 - Frames 250 (NEMA 360)
205	4 or 0	050843	M10 x 30-8.8 Bolt (Adapter plate to motor) - HB1682 - Frames 132 (NEMA 210)
205	4 or 0	174820	M12 x 35-8.8 Bolt (Adapter plate to motor) - HB1682 - Frames 160 (NEMA 250)
205	4 or 0	093841	M16 x 40-8.8 Bolt (Adapter plate to motor) - HB1682 - Frames 180/200-250 (NEMA 280-360)
205	4 or 0	129847	M10 x 40-8.8 Bolt (Adapter plate to motor) - HB1683 - Frames 132 (NEMA 210)
205	4 or 0	60245210A	M12 x 35-8.8 Bolt (Adapter plate to motor) - HB1683 - Frames 160 (NEMA 250)
205	3 or 0	021746	M16 x 55-8.8 Bolt (Adapter plate to motor) - HB1683 - Frames 180/200 (NEMA 280)
205	1 or 0	141196	M16 x 95-8.8 Bolt (Adapter plate to motor) - HB1683 - Frames 180/200 (NEMA 280)
205	3 or 0	141195	M16 x 70-8.8 Bolt (Adapter plate to motor) - HB1683 - Frames 225-250 (NEMA 320-360)
205	1 or 0	141197	M16 x 120-8.8 Bolt (Adapter plate to motor) - HB1683 - Frames 225-250 (NEMA 320-360)
210	8	093841	M16 x 40 -8.8 Bolt (to gear unit)
215	1 or 0	053168	Dowel Pin (3 Stage Only)
220	1 or 0	083279	Gasket (Between adapter plate and input group) - Frames 132 (NEMA 210)
220	1 or 0	083296	Gasket (Between adapter plate and input group) - Frames 160 (NEMA 250)
220	1 or 0	081991	Gasket (Between adapter plate and input group) - Frames 180/200 (NEMA 280)
220	1 or 0	081992	Gasket (Between adapter plate and input group) - Frames 225 (NEMA 320)
220	1 or 0	081993	Gasket (Between adapter plate and input group) - Frames 250 (NEMA 360)
225	1	081989	Gasket (Between adapter plate and gearcase)
301	1	See Chart	Shank pinion
305	1	See Chart	Gear
306	1	436186	Key (to 305)
315	1	085682	Spherical Roller Bearing (in adapter plate)
316	1	051301	Retaining Ring (to 315,shaft)
319	1	086459	Nilos Ring 23109AV
320	1	542687	Spherical Roller Bearing (in center plate)
324	1	682071	Nilos Ring 23110AV
325	1 or 0	084546	Pinion shaft Triple Stage Ratio: 4.933
330	1 or 0	084547	Gear Triple Stage Ratio: 4.933
331	1	436186	Key (to 330)
335	1	051314	Retaining Ring (to 330)
340	1 or 0	084564	Pinion shaft Output Ratio: 3.040
340	1 or 0	084527	Pinion shaft Output Ratio: 5.067
345	1 or 0	084566	Gear Output Ratio: 3.040
345	1 or 0	084528	Gear Output Ratio: 5.067
346	1	085530	Key (to 345)
401	4	083867	Pipe Plug G3/4
405	1	085946	Oil sight glass (OPTIONAL - NOT SHOWN)
420	1	085527	Breather 3/4 (NOT SHOWN)
430	1	052528	Eye Bolt M24



BRIDGE QUANTIS CLUT PARALLEL REDUCED	
ESBULES, S. K. QUANTIS	
PART NO. 086120	
BRIDGE QUANTIS	

IN LINE HELICAL ILH HF168			Parts List for Helical Gear Units
Positions-Nr.	Quantity	Part Number	Component Designation
001	1	090021	Gearcase - HF168
020	1	725382	Tapered Roller bearing (in 005)
021	1	085489	Supporting ring (to 020)
021	As Req'd	987477	Shim 125 x 140 x 0.1
021	As Req'd	085035	Shim 125 x 140 x 0.15
025	1	051338	Retaining Ring (to 020,bore)
030	1	725382	Tapered Roller bearing (opposite 020)
033	1	085538	Nilos Ring 32313AV
040	1 or 0	090125	Output Flange - 450mm - B5 (Fig 2)
040	1 or 0	090127	Output Flange - 550mm - B5 (Fig 2)
041	2	085531	Dowel Pin
045	8	722812	M16 x 35-8.8 Bolt (Flange to Housing)
050	1	090247	Cover Plate - Steel
051	10	691593	M12 x 25 -8.8 Bolt (Cover Plate to Gearcase)
101	1 or 0	084725	Output shaft - 100 x 210 mm
101	1 or 0	084726	Output shaft - 120 x 210 mm
101	1 or 0	084734	Output shaft - 4.000 x 8.27"
101	1 or 0	084736	Output shaft - 4.750 x 8.27"
103	1	085597	Sleeve (Gear 345 - Bearing 130)
105	1 or 0	681318	Key (shaft end) 28 x 16 x 180 for 100 x 210mm shaft
105	1 or 0	681245	Key (shaft end) 32 x 18 x 180 for 120 x 210mm shaft
105	1 or 0	105812	Key (shaft end) 1 x 1 x 7-1/8 for 4.000" x 8.27" shaft
105	1 or 0	105814	Key (shaft end) 1-1/4 x 1-1/4 x 7 for 4.750" x 8.27" shaft
130	1	681261	Spherical Roller Bearing (output side)
133	1	085537	Nilos Ring 22224AV
135	1	681237	Retaining Ring (to 130,bore)
140	1	085617	Cylindrical Roller Bearing (opposite 130)
141	1	085541	Supporting ring (to 140,shaft, gear side)
145	1	051330	Retaining Ring (to 140,shaft)
160	1	085585	Output Seal
201	1 or 0	082438	Adapter plate - HB1682 - Frames 132 (NEMA 210)
201	1 or 0	082448	Adapter plate - HB1682 - Frames 160 (NEMA 250)
201	1 or 0	082456	Adapter plate - HB1682 - Frames 180/200 (NEMA 280)
201	1 or 0	082462	Adapter plate - HB1682 - Frames 225 (NEMA 320)
201	1 or 0	082588	Adapter plate - HB1682 - Frames 250 (NEMA 360)
201	1 or 0	082500	Adapter plate - HB1683 - Frames 132 (NEMA 210)
201	1 or 0	082508	Adapter plate - HB1683 - Frames 160 (NEMA 250)
201	1 or 0	082514	Adapter plate - HB1683 - Frames 180/200 (NEMA 280)
201	1 or 0	082518	Adapter plate - HB1683 - Frames 225 (NEMA 320)
201	1 or 0	082606	Adapter plate - HB1683 - Frames 250 (NEMA 360)
205	4 or 0	050843	M10 x 30-8.8 Bolt (Adapter plate to motor) - HB1682 - Frames 132 (NEMA 210)
205	4 or 0	174820	M12 x 35-8.8 Bolt (Adapter plate to motor) - HB1682 - Frames 160 (NEMA 250)
205	4 or 0	093841	M16 x 40-8.8 Bolt (Adapter plate to motor) - HB1682 - Frames 180/200-250 (NEMA 280-360)
205	4 or 0	129847	M10 x 40-8.8 Bolt (Adapter plate to motor) - HB1683 - Frames 132 (NEMA 210)
205	4 or 0	60245210A	M12 x 35-8.8 Bolt (Adapter plate to motor) - HB1683 - Frames 160 (NEMA 250)
205	3 or 0	021746	M16 x 55-8.8 Bolt (Adapter plate to motor) - HB1683 - Frames 180/200 (NEMA 280)
205	1 or 0	141196	M16 x 95-8.8 Bolt (Adapter plate to motor) - HB1683 - Frames 180/200 (NEMA 280)
205	3 or 0	141195	M16 x 70-8.8 Bolt (Adapter plate to motor) - HB1683 - Frames 225-250 (NEMA 320-360)
205	1 or 0	141197	M16 x 120-8.8 Bolt (Adapter plate to motor) - HB1683 - Frames 225-250 (NEMA 320-360)
210	8	093841	M16 x 40 -8.8 Bolt (to gear unit)
215	1 or 0	053168	Dowel Pin (3 Stage Only)
220	1 or 0	083279	Gasket (Between adapter plate and input group) - Frames 132 (NEMA 210)
220	1 or 0	083296	Gasket (Between adapter plate and input group) - Frames 160 (NEMA 250)
220	1 or 0	081991	Gasket (Between adapter plate and input group) - Frames 180/200 (NEMA 280)
220	1 or 0	081992	Gasket (Between adapter plate and input group) - Frames 225 (NEMA 320)
220	1 or 0	081993	Gasket (Between adapter plate and input group) - Frames 250 (NEMA 360)
225	1	081989	Gasket (Between adapter plate and gearcase)
301	1	See Chart	Shank pinion
305	1	See Chart	Gear
306	1	436186	Key (to 305)
315	1	085682	Spherical Roller Bearing (in adapter plate)
316	1	051301	Retaining Ring (to 315,shaft)
319	1	086459	Nilos Ring 23109AV
320	1	542687	Spherical Roller Bearing (in center plate)
324	1	682071	Nilos Ring 23110AV
325	1 or 0	084546	Pinion shaft Triple Stage Ratio: 4.933
330	1 or 0	084547	Gear Triple Stage Ratio: 4.933
331	1	436186	Key (to 330)
335	1	051314	Retaining Ring (to 330)
340	1 or 0	084564	Pinion shaft Output Ratio: 3.040
340	1 or 0	084527	Pinion shaft Output Ratio: 5.067
345	1 or 0	084566	Gear Output Ratio: 3.040
345	1 or 0	084528	Gear Output Ratio: 5.067
346	1	085530	Key (to 345)
401	4	083867	Pipe Plug G3/4
405	1	085946	Oil sight glass (OPTIONAL - NOT SHOWN)
420	1	085527	Breather 3/4 (NOT SHOWN)
430	1	052528	Eye Bolt M24



QUANTIS ILH SIZE 168

DOUBLE REDUCTION

GEARING CHART

TOTAL RATIO	1st STAGE	2nd STAGE		G132/210TC 22 MM (1)		G160/250TC 28 MM (1)		180/200D/280TC 36 MM (1)		IEC225D/320TC 39 MM (1)		IEC 250D/360TC 42 MM (1)	
				1st	2nd	1st	2nd	1st	2nd	1st	2nd	1st	2nd
4.928	1.621	3.040	PINION GEAR	----	----	----	----	081958	084564	081811	084564	081810	084564
6.202	2.040	3.040	PINION GEAR	----	----	----	----	081763	084566	081763	084566	081763	084566
8.214	1.621	5.067	PINION GEAR	----	----	----	----	081806	084564	081805	084564	081804	084564
10.337	2.040	5.067	PINION GEAR	----	----	----	----	081762	084566	081762	084566	081762	084566
13.270	2.619	5.067	PINION GEAR	----	----	----	----	081958	084527	081811	084527	081810	084527
15.444	3.048	5.067	PINION GEAR	----	----	083551	084527	081763	084528	081763	084528	081763	084528
17.603	3.474	5.067	PINION GEAR	----	----	081762	084528	081806	084527	081805	084527	081804	084527
19.305	3.810	5.067	PINION GEAR	083497	084527	083490	084527	081762	084528	081762	084528	081762	084528
23.263	4.591	5.067	PINION GEAR	081758	084528	081751	084528	081792	084527	081791	084527	081790	084527
25.842	5.100	5.067	PINION GEAR	083493	084527	081758	084528	081751	084528	081751	084528	081751	084528
29.277	5.778	5.067	PINION GEAR	081755	084528	083495	084527	081801	084527	081800	084527	081799	084527
33.888	6.688	5.067	PINION GEAR	083487	084527	081758	084528	081758	084528	081758	084528	081758	084528
39.452	7.786	5.067	PINION GEAR	081749	084528	081755	084528	081797	084527	081796	084527	081794	084527
42.097	8.308	5.067	PINION GEAR	083448	084527	083486	084527	081755	084528	081755	084528	081755	084528
46.616	9.200	5.067	PINION GEAR	081725	084528	081749	084528	081788	084527	081786	084527	081785	084527
				081725	084528	081749	084528	081749	084528	081749	084528	081749	084528
				083447	084527	083447	084527	081776	084527	081775	084527	081774	084527
				081725	084528	081725	084528	081725	084528	081725	084528	081725	084528
				083543	084527	083544	084527	081773	084527	081772	084527	081771	084527
				081721	084528	081721	084528	081721	084528	081721	084528	081721	084528
				083546	084527	083547	084527	081770	084527	081769	084527	081768	084527
				081717	084528	081717	084528	081717	084528	081717	084528	081717	084528
				----	----	----	----	081781	084527	081960	084527	081765	084527
				----	----	----	----	081714	084528	081714	084528	081714	084528
				----	----	----	----	081956	084527	081959	084527	081696	084527
				----	----	----	----	081812	084528	081812	084528	081812	084528
				----	----	----	----	081780	084527	081778	084527	----	----
				----	----	----	----	081966	084528	081966	084528	----	----
				----	----	----	----	081764	084527	----	----	----	----
				----	----	----	----	081964	084528	----	----	----	----

(1) Pinion shank diameter changes by motor frame size.



RENEWAL PARTS DATA

QUANTIS ILH SIZE 168
GEARING CHART

TRIPLE REDUCTION

TOTAL RATIO	1st STAGE	2nd STAGE	3rd STAGE	PINION GEAR	IEC 132D/210TC - 22 MM (1)			IEC 160D/250TC 28 MM (1)			IEC 180/200D280TC 36 MM (1)		
					1st	2nd	3rd	1st	2nd	3rd	1st	2nd	3rd
40.993	1.640	4.933	5.067	PINION GEAR	-----	-----	-----	083551	084546	084527	081806	084546	084527
53.565	2.143	4.933	5.067	PINION GEAR	-----	-----	-----	081761	084547	084528	081761	084547	084528
63.089	2.524	4.933	5.067	PINION GEAR	083497	084546	084527	083495	084546	084527	081801	084546	084527
72.362	2.895	4.933	5.067	PINION GEAR	081757	084547	084528	081757	084547	084528	081757	084547	084528
79.736	3.190	4.933	5.067	PINION GEAR	083493	084546	084527	083492	084546	084527	081797	084546	084527
94.308	3.773	4.933	5.067	PINION GEAR	081754	084547	084528	081754	084547	084528	081754	084547	084528
107.481	4.300	4.933	5.067	PINION GEAR	083487	084546	084527	083486	084546	084527	081788	084546	084527
123.578	4.944	4.933	5.067	PINION GEAR	081748	084547	084528	081748	084547	084528	081748	084547	084528
141.275	5.652	4.933	5.067	PINION GEAR	083448	084546	084527	083447	084546	084527	081776	084546	084527
183.721	6.550	4.933	5.067	PINION GEAR	081724	084547	084528	081724	084547	084528	081724	084547	084528
178.368	7.136	4.933	5.067	PINION GEAR	083543	084546	084527	083544	084546	084527	081773	084546	084527
198.714	7.950	4.933	5.067	PINION GEAR	081720	084547	084528	081720	084547	084528	081720	084547	084528
210.487	8.421	4.933	5.067	PINION GEAR	083546	084546	084527	083547	084546	084527	081770	084546	084527
236.732	9.471	4.933	5.067	PINION GEAR	081716	084547	084528	081716	084547	084528	081716	084547	084528
253.080	10.125	4.933	5.067	PINION GEAR	083478	084546	084527	083477	084546	084527	081781	084546	084527
268.277	10.733	4.933	5.067	PINION GEAR	081742	084547	084528	081742	084547	084528	081742	084547	084528
289.223	11.571	4.933	5.067	PINION GEAR	083472	084546	084527	083471	084546	084527	081956	084546	084527
313.394	12.538	4.933	5.067	PINION GEAR	081739	084547	084528	081739	084547	084528	081739	084547	084528
341.614	13.667	4.933	5.067	PINION GEAR	083464	084546	084527	083430	084546	084527	-----	-----	-----
					081735	084547	084528	081735	084547	084528	-----	-----	-----
					083423	084546	084527	083422	084546	084527	-----	-----	-----
					081713	084547	084528	081713	084547	084528	-----	-----	-----
					083416	084546	084527	083415	084546	084527	-----	-----	-----
					081732	084547	084528	081732	084547	084528	-----	-----	-----
					083376	084546	084527	083375	084546	084527	-----	-----	-----
					081709	084547	084528	081709	084547	084528	-----	-----	-----
					083407	084546	084527	083406	084546	084527	-----	-----	-----
					081729	084547	084528	081729	084547	084528	-----	-----	-----
					083371	084546	084527	-----	-----	-----	-----	-----	-----
					081706	084547	084528	-----	-----	-----	-----	-----	-----
					083353	084546	084527	-----	-----	-----	-----	-----	-----
					081703	084547	084528	-----	-----	-----	-----	-----	-----
					083350	084546	084527	-----	-----	-----	-----	-----	-----
					081953	084547	084528	-----	-----	-----	-----	-----	-----
					083589	084546	084527	-----	-----	-----	-----	-----	-----
					081695	084547	084528	-----	-----	-----	-----	-----	-----

(1) Pinion shank diameter changes by motor frame size.



RENEWAL PARTS DATA

QUANTIS ILH SIZE 168
GEARING CHART

TRIPLE REDUCTION

TOTAL RATIO	1st STAGE	2nd STAGE	3rd STAGE		IEC 225D/320TC 39 MM (1)			IEC 250D/360TC 42 MM (1)			1st	2nd	3rd		
					1st	2nd	3rd	1st	2nd	3rd					
40.993	1.640	4.933	5.067	PINION GEAR	081805	084546	084527	081804	084546	084527	084527			3rd	
					081761	084547	084528	081761	084547	084528	084528				
53.565	2.143	4.933	5.067	PINION GEAR	081791	084546	084527	081790	084546	084527	084527				
					081750	084547	084528	081750	084547	084528	084528				
63.089	2.524	4.933	5.067	PINION GEAR	081800	084546	084527	081799	084546	084527	084527				
					081757	084547	084528	081757	084547	084528	084528				
72.362	2.895	4.933	5.067	PINION GEAR	081796	084546	084527	-----	-----	-----	-----				
					081754	084547	084528	-----	-----	-----	-----				
79.736	3.190	4.933	5.067	PINION GEAR	081786	084546	084527	-----	-----	-----	-----				
					081748	084547	084528	-----	-----	-----	-----				
94.308	3.773	4.933	5.067	PINION GEAR	081775	084546	084527	-----	-----	-----	-----				
					081724	084547	084528	-----	-----	-----	-----				
107.481	4.300	4.933	5.067	PINION GEAR	081772	084546	084527	-----	-----	-----	-----				
					081720	084547	084528	-----	-----	-----	-----				
123.578	4.944	4.933	5.067	PINION GEAR	-----	-----	-----	-----	-----	-----	-----				
					-----	-----	-----	-----	-----	-----	-----				
141.275	5.652	4.933	5.067	PINION GEAR	-----	-----	-----	-----	-----	-----	-----				
					-----	-----	-----	-----	-----	-----	-----				
183.721	6.550	4.933	5.067	PINION GEAR	-----	-----	-----	-----	-----	-----	-----				
					-----	-----	-----	-----	-----	-----	-----				
178.368	7.136	4.933	5.067	PINION GEAR	-----	-----	-----	-----	-----	-----	-----				
					-----	-----	-----	-----	-----	-----	-----				
198.714	7.950	4.933	5.067	PINION GEAR	-----	-----	-----	-----	-----	-----	-----				
					-----	-----	-----	-----	-----	-----	-----				
210.487	8.421	4.933	5.067	PINION GEAR	-----	-----	-----	-----	-----	-----	-----				
					-----	-----	-----	-----	-----	-----	-----				
236.732	9.471	4.933	5.067	PINION GEAR	-----	-----	-----	-----	-----	-----	-----				
					-----	-----	-----	-----	-----	-----	-----				
253.080	10.125	4.933	5.067	PINION GEAR	-----	-----	-----	-----	-----	-----	-----				
					-----	-----	-----	-----	-----	-----	-----				
268.277	10.733	4.933	5.067	PINION GEAR	-----	-----	-----	-----	-----	-----	-----				
					-----	-----	-----	-----	-----	-----	-----				
289.223	11.571	4.933	5.067	PINION GEAR	-----	-----	-----	-----	-----	-----	-----				
					-----	-----	-----	-----	-----	-----	-----				
313.394	12.538	4.933	5.067	PINION GEAR	-----	-----	-----	-----	-----	-----	-----				
					-----	-----	-----	-----	-----	-----	-----				
341.614	13.667	4.933	5.067	PINION GEAR	-----	-----	-----	-----	-----	-----	-----				
					-----	-----	-----	-----	-----	-----	-----				

(1) Pinion shank diameter changes by motor frame size.

NOMENCLATURE

MSM SHAFT MOUNT SERIES

C-FACE REDUCERS - GEARMOTORS - SEPARATE INPUTS

C-FACE	1	2	3	4	5	6	7		8	9	10	10a	10b	11	11a	12	13
(EX.:)	M	W	38	2	C	N	56C	/	9.80	B3	S	I	1.375	-	-	-	-
GEARMOTOR																	
(EX.:)	M	W	108	3	G	H	132N4	/	52.40	B5	S	M	60	B5	350	-	-
SEPARATE																	
(EX.:)	M	A	38	2	S	I	71	/	9.80	B3	S	I	1.375	-	-	-	-

1. PRODUCT TYPE

M = MSM

2. OUTPUT CONFIGURATION

W = UNIVERSAL HOUSING

A = SHAFT MOUNTED

3. UNIT SIZE

38	48	68	88
108	128	148	168

4. REDUCTION STAGE

2 = DOUBLE

3 = TRIPLE

5. INPUT CONFIGURATION

C = CLAMP COLLAR

L = 3 PIECE COUPLED

G = INTEGRAL GEARMOTOR

S = SEPARATE

6. MOTOR TYPE

N = NEMA

I = IEC

H = HORSEPOWER (GEARMOTOR)

K = KILOWATT (GEARMOTOR)

I = INCH (SEPARATE INPUT)

M = METRIC (SEPARATE INPUT)

7. MOTOR FRAME

NEMA	56C	140TC	180TC	210TC
	250TC	280TC	320TC	360TC

IEC	71	80	100	112
	132	160	180	200
	225	250		

8. RATIO

6.65 - 123.05 = DOUBLE REDUCTION

29.33 - 350.03 = TRIPLE REDUCTION

9. MOUNTING POSITION

FOOT MOUNTED

B3 B3-01 B6

B6-02 B8 B8-01

V5 V6

SHAFT MOUNTED

H-01 H-04

H-02 H-05

H-03 H-06

FLANGE MOUNTED

B5 B5-03

B5-01 V1

B5-02 V3

10. OUTPUT SHAFT / BORE TYPE

S = SINGLE EXTENSION SOLID SHAFT

H = HOLLOW BORE

T = TWIN TAPERED BUSHINGS

C = SHRINK DISC COUPLING

10a. OUTPUT SHAFT / BORE DIMENSION

I = INCH

M = METRIC

10b. OUTPUT SHAFT / BORE DIAMETER

SHAFT

BORE

INCH: 1.375 - 4.750

INCH: 1.250 - 4.000

METRIC: 35mm - 120mm

METRIC: 30mm - 110mm

11. OUTPUT FLANGE TYPE

B14

B5

11a. OUTPUT FLANGE DIAMETER

B14: 120mm - 400mm

B5: 160mm - 550mm

12. TORQUE ARM OPTION

B = TORQUE ARM BUSHING

13. SCREW CONVEYOR DRIVE OPTION (sizes 38 - 128 only)

SCS = SCREW CONVEYOR WITH STANDARD DRIVE SHAFT

SCSS = SCREW CONVEYOR WITH STAINLESS STEEL DRIVE SHAFT

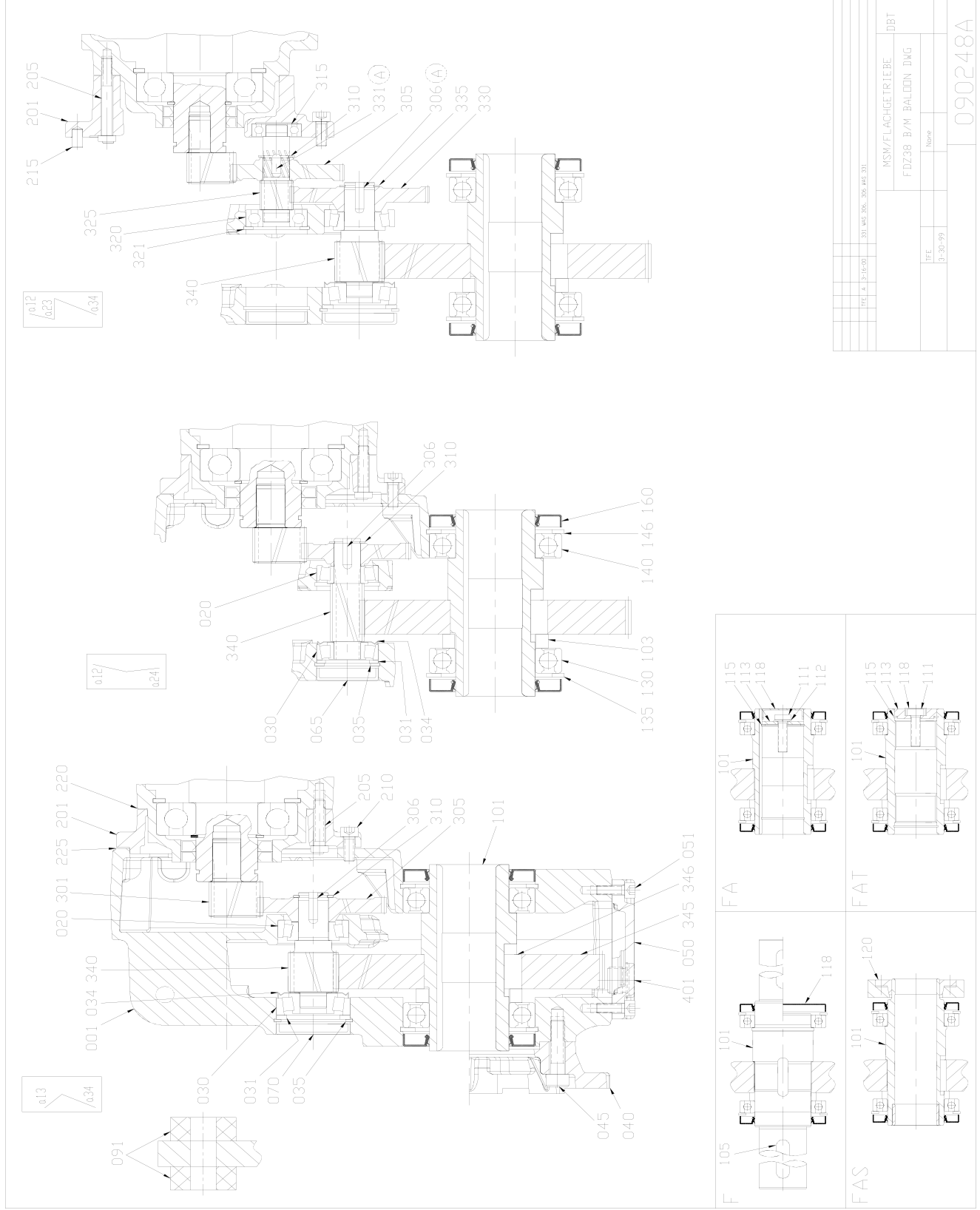
Quantis MSM Notes

MSM double reduction reducers will have some internal differences based upon the gearing method in use. Gearing methods are identified as A-24 (short path) and A-34 (long path).

When A24 or A34 appear in the description column of an item, a determination must be made as to what gear method is in use. This can be determined using the Quantis ratio and locating that ratio on the chart below.

All triple reduction reducers are A-34 (long path).

Size	A-24	A-34
MSM 382	38.19 - 80.17	9.80 - 36.44
MSM 482	16.83 - 86.78	7.95 - 15.41
MSM 682	26.75 - 82.52	6.65 - 23.29
MSM 882	30.67 - 123.05	8.85 - 29.14
MSM 1082	21.18 - 72.75	9.52 - 19.78
MSM 1282	27.66 - 77.17	6.86 - 24.77
MSM 1482	26.51 - 83.31	7.54 - 26.00
MSM 1682	32.07 - 86.06	7.71 - 27.50



ITE	None	3-30-99
MSM/FLACHGETRIEBE		
FDZ38 B/M BALDORN DING		
DBT		
090248A		

Motorized Shaft Mount MSM MW38			Parts List for Helical Gear Units
Position / No.	Quantity	Part Number	Component Designation
001	1	090025	Gearcase - MW38
020	1 or 0	974643	Tapered roller brg , A24, (ratios 38.19 - 80.17 only)
020	1 or 0	728047	Tapered roller bearing (pinion shaft output stage, A34)
030	1 or 0	974643	Tapered roller brg , A24, (ratios 38.19 - 80.17 only)
030	1 or 0	085479	Tapered roller bearing (pinion shaft output stage, A34)
031	1 or 0	085488	Backing ring 29x35x2 (ratios 38.19 - 80.17 only)
031	1 or 0	085487	Backing ring 36x42x2.5
031	0-3	071750	Shim 25x35x0.1 (to A24) (ratios 38.19 - 80.17 only)
031	0-3	085524	Shim 25x35x0.15 (to A24) (ratios 38.19 - 80.17 only)
031	0-3	053444	Shim 30x42x0.1 (to A34)
031	0-3	085024	Shim 30x42x0.15 (A34)
031	0-3	053443	Shim 30x42x0.3 (A34)
034	1 or 0	085618	Nilosring 30202AV (to 020)
034	1 or 0	085619	Nilosring 30302AV (to 030)
035	1 or 0	051292	Retaining ring bore J35x1.5 (ratios 38.19 - 80.17 only)
035	1 or 0	051300	Retaining ring bore J42x1.75
040	1 or 0	081826	Output flange A160 machined
045	6 or 0	050830	Bolt M8x30, (to 040)
050	1	090027	Cover plate
051	6	050809	Bolt M6x16 DIN6912 to attach cover plate
055	1	092476	Cover gasket
065	1	335436	Cap 35x8 for housing
070	1	117205	Cap 42x9.5 for intermediate stage left
101	1 or 0	086587	Hollow shaft 30 mm diam. standard
101	1 or 0	084591	Hollow shaft 30 mm diam. shrink disc
101	1 or 0	084592	Hollow shaft N35x1.25x30 spline shaft
101	1 or 0	090352	Hollow shaft 1.25" (31.75 mm) standard
101	1 or 0	087377	Solid output shaft 1 end 25 x 50 mm
101	1 or 0	087329	Solid output shaft 2 ends 25 x 50 mm
101	1 or 0	086496	Solid output shaft 1 end 35x70 mm
101	1 or 0	084594	Solid output shaft 2 ends 35x70 mm
101	1 or 0	086921	Solid output shaft 1 end 1.00' x 50 mm
101	1 or 0	083763	Solid output shaft 2 ends 1.00" x 50 mm
101	1 or 0	086497	Solid output shaft 1 end 1.375"x70 mm
101	1 or 0	084823	Solid output shaft 2 ends 1.375"x70 mm
101	1 or 0	092482	Twin Tapered Bushing Output Shaft
103	1	852864	Sleeve 60x46x9 (to 130)
105	1 or 0	028941	Key (shaft end) A10x8x56 for 35x70 mm shaft
105	1 or 0	086654	Key (shaft end) 5/16"x5/16"x2-3/8" for 1.375"x70 mm shaft
105	1 or 0	051583	Key (shaft end) for 25 x 50 mm shaft
106	1 or 0	443590	Key (shaft end) for 1.00 x 50 mm shaft
111	1 or 0	129847	Bolt M10X40 DIN6912 (30 mm hollow shaft)
111	1 or 0	309338	Bolt M10X35 DIN912 (splined hollow shaft)
111	1 or 0	108328	Bolt 3/8"-16x1-3/4", (1.250" hollow shaft)
112	1 or 0	051213	Lock washer B10 A2F
113	1 or 0	150041	Washer (hollow shaft) D13x30x6
113	1 or 0	084754	Washer (spline shaft) 11x35x18
113	1 or 0	116693	Washer (hollow shaft inch 1.25) 11x31.7x6
115	1 or 0	051283	Retaining ring bore J30x1.2 (30 mm hollow shaft)
115	1 or 0	051292	Retaining ring bore J35x1.5 (splined shaft)
115	1 or 0	051287	Retaining ring bore J32x1.2 (1.250" hollow shaft)

Motorized Shaft Mount MSM MW38 Parts List for Helical Gear Units			
Position / No.	Quantity	Part Number	Component Designation
118	1 or 0	086379	Plug 31.8x10 (1.250" hollow shaft)
118	1 or 0	086481	Plug (hex head) (hollow splined shaft)
118	1 or 0	985869	Cap 75x7 (solid shaft single extrn)
120	1 or 0	084971	Shrink disc with cap
130	1	048467	Ball bearing (output shaft)
131	3	504424	Shim 60x75x0.1 (to 130)
131	3	697494	Shim 60x75x0.15 (to 130)
134	1 or 0	090683	Nilos ring 32009XAV (to 130) (not used with standard bearing)
135	1	504408	Retaining ring 75x2.5 (to 130, bore)
140	1	048467	Ball Bearing (output shaft, opposite 130)
143	1 or 0	090683	Nilos ring 32009XAV (zu140) (not used with standard bearing)
146	1	504408	Retaining ring 75x2.5 (to 140, bore)
160	1 or 2	504386	Output Seal
201	1 or 0	366231	Adapter plate - MW382 - Frames 71-100/56C-180TC (1)
201	1 or 0	082470	Adapter plate - MW383 - Frames 71-100/56C-180TC (1)
205	4 or 0	504637	Bolt M6x35-8.8 Bolt (adapter plate to motor) - HB382
205	4 or 0	050820	Bolt M6x50-8.8 Bolt (adapter plate to motor) - HB383
210	8	050810	Bolt M6x18-8.8 Bolt (adapter plate to gear unit)
215	1 or 0	051499	Dowel Pin A6x20 (3 Stage Only)
220	1	083277	Gasket (Between adapter plate and input group)
225	1	083274	Gasket for unit size 38 (Between adapter plate and gearcase)
301	1	See Chart	Shank pinion
305	1	See Chart	Gear
306	1	441775	Key B5x5x14 (to 305)
306	1 or 0	442704	Key B5x5x10 (to 325, intermediate stage)
310	1 or 0	051271	Retaining ring shaft 15x1, A24 (ratios 38.19 - 80.17 only)
310	1 or 0	278708	Retaining ring shaft 17x1, A34
315	1 or 0	024296	Ball bearing (in adapter plate) - (triple only)
320	1 or 0	037849	Ball bearing (in center plate) - (triple only)
321	1 or 0	051292	Retaining Ring bore J35x1.5 (to 320) (triple only)
325	1 or 0	085703	Pinion shaft i=4.933 intermediate stage ratio
330	1 or 0	082575	Gear i=4.933 intermediate stage ratio
335	1 or 0	278708	Retaining ring shaft 17x1, A34 (triple reduction)
340	1 or 0	085702	Pinion shaft Output Ratio A24: 9.750
340	1 or 0	082572	Pinion shaft Output Ratio A34: 6.185
345	1 or 0	085569	Gear Output Ratio small, large
346	1	975305	Key B14x9x20 (to 345)
401	1	083868	Pipe Plug G3/8
405	1 or 0	084455	Oil sight glass 3/8" (OPTIONAL - NOT SHOWN)
406	1 or 0	086631	Gasket 17x22x2.1 (to 405)

(1) Size 180TC clamp collar and 3-pc coupled c-face input assemblies were redesigned in Feb 2005 to mount to 112 adapter plate(#201). Current redesigned assemblies are not interchangeable with original adapter assemblies which mounted to a 100 adapter plate(#201). Use original clamp collar assembly 086836 or 3-pc assembly 086850 on MSM38 for 180TC input (no 112 adpt plate available).



QUANTIS MSM SIZE 38

GEARING CHART

DOUBLE REDUCTION

TOTAL RATIO	1st STAGE	2nd STAGE		IEC 63-71D/56C – 9 MM (1)		IEC 80D – 10 MM (1)		IEC 90D/140TC – 12 MM (1)		IEC 100D/180TC – 16 MM (1)	
				1st	2nd	1st	2nd	1st	2nd	1st	2nd
9.797	1.591	6.158	PINION GEAR	083469 370101	082572 085569	083468 370101	082572 085569	083467 370101	082572 085569	083466 370101	082572 085569
11.392	1.850	6.158	PINION GEAR	083533 370102	082572 085569	083535 370102	082572 085569	083517 370102	082572 085569	083519 370102	082572 085569
12.640	2.053	6.158	PINION GEAR	083463 370104	082572 085569	083462 370104	082572 085569	083460 370104	082572 085569	083459 370104	082572 085569
13.765	2.236	6.158	PINION GEAR	083531 370103	082572 085569	083532 370103	082572 085569	083515 370103	082572 085569	083516 370103	082572 085569
15.395	2.500	6.158	PINION GEAR	083457 370105	082572 085569	083456 370105	082572 085569	083455 370105	082572 085569	083454 370105	082572 085569
16.832	2.733	6.158	PINION GEAR	083529 370106	082572 085569	083530 370106	082572 085569	083525 370106	082572 085569	083374 370106	082572 085569
18.474	3.000	6.158	PINION GEAR	083346 370107	082572 085569	083444 370107	082572 085569	083443 370107	082572 085569	083355 370107	082572 085569
20.369	3.308	6.158	PINION GEAR	083528 370108	082572 085569	083513 370108	082572 085569	083514 370108	082572 085569	083352 370108	082572 085569
22.579	3.667	6.158	PINION GEAR	083442 370109	082572 085569	083441 370109	082572 085569	083440 370109	082572 085569	083591 370109	082572 085569
25.579	4.154	6.158	PINION GEAR	083527 370110	082572 085569	083512 370110	082572 085569	083346 370110	082572 085569	083345 370110	082572 085569
28.224	4.583	6.158	PINION GEAR`	083439 370111	082572 085569	083438 370111	082572 085569	083587 370111	082572 085569	083586 370111	082572 085569

(1) Pinion shank diameter changes by motor frame size.



QUANTIS MSM SIZE 38

GEARING CHART

DOUBLE REDUCTION

TOTAL RATIO	1st STAGE	2nd STAGE	IEC 63-71D/56C – 9 MM (1)		IEC 80D – 10 MM (1)		IEC 90D/140TC – 12 MM (1)		IEC 100D/180TC – 16 MM (1)	
			1st	2nd	1st	2nd	1st	2nd	1st	2nd
31.910	5.182	6.158	PINION GEAR 083499 370112	082572 085569	PINION GEAR 083583 370112	082572 085569	PINION GEAR 083582 370112	082572 085569	PINION GEAR 083580 370112	082572 085569
36.435	5.917	6.158	PINION GEAR 083339 370113	082572 085569	PINION GEAR 083338 370113	082572 085569	PINION GEAR 083337 370113	082572 085569	-----	-----
38.188	3.917	9.750	PINION GEAR 083439 083558	085702 085569	PINION GEAR 083438 083558	085702 085569	PINION GEAR 083587 083558	085702 085569	-----	-----
43.432	4.455	9.750	PINION GEAR 083499 083581	085702 085569	PINION GEAR 083583 083581	085702 085569	PINION GEAR 083582 083581	085702 085569	-----	-----
49.563	5.083	9.750	PINION GEAR 083339 083342	085702 085569	PINION GEAR 083338 083342	085702 085569	PINION GEAR 083337 083342	085702 085569	-----	-----
55.841	5.727	9.750	PINION GEAR 083336 083340	085702 085569	PINION GEAR 083335 083340	085702 085569	PINION GEAR 083334 083340	085702 085569	-----	-----
62.400	6.400	9.750	PINION GEAR 083309 083310	085702 085569	PINION GEAR 083308 083310	085702 085569	PINION GEAR 083307 083310	085702 085569	-----	-----
71.175	7.300	9.750	PINION GEAR 083320 083322	085702 085569	PINION GEAR 083319 083322	085702 085569	-----	-----	-----	-----
80.167	8.222	9.750	PINION GEAR 083316 083317	085702 085569	-----	-----	-----	-----	-----	-----

(1) Pinion shank diameter changes by motor frame size.



RENEWAL PARTS DATA

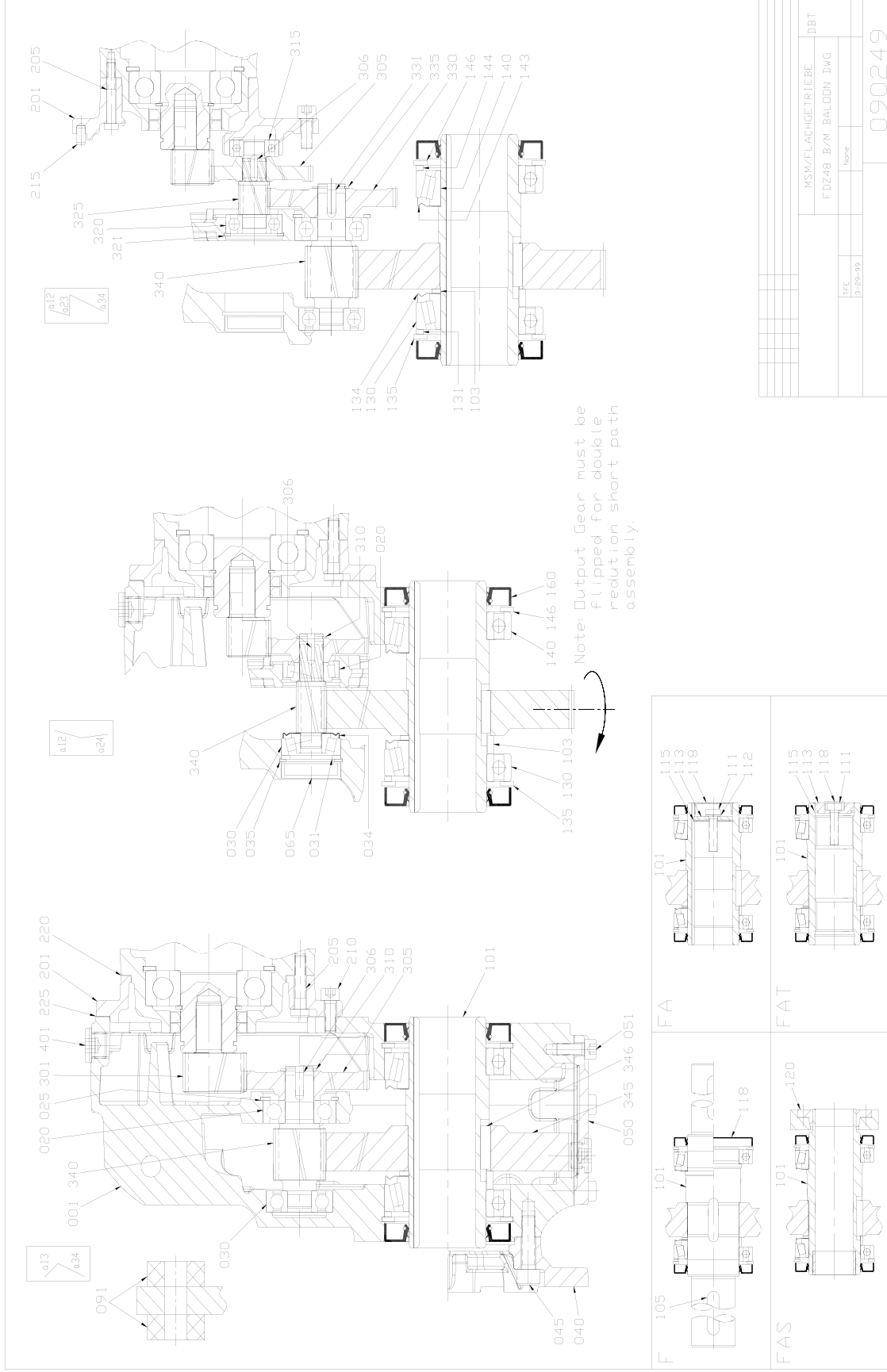
QUANTIS MSM SIZE 38

GEARING CHART

TRIPLE REDUCTION

TOTAL RATIO	1st STAGE	2nd STAGE	3rd STAGE		IEC 63-71D/56C – 9 MM (1)			IEC 80D – 10 MM (1)			IEC 90D/140TC – 12 MM (1)		
					1st	2nd	3rd	1st	2nd	3rd	1st	2nd	3rd
40.037	1.318	4.933	6.158	PINION GEAR	083469	085703	082572	083468	085703	082572	083467	085703	082572
					083431	082575	085569	083431	082575	085569	083431	082575	085569
44.047	1.450	4.933	6.158	PINION GEAR	083533	085703	082572	083535	085703	082572	083517	085703	082572
					083424	082575	085569	083424	082575	085569	083424	082575	085569
51.162	1.684	4.933	6.158	PINION GEAR	083463	085703	082572	083462	085703	082572	083460	085703	082572
					083417	082575	085569	083417	082575	085569	083417	082575	085569
55.394	1.824	4.933	6.158	PINION GEAR	083531	085703	082572	083532	085703	082572	083515	085703	082572
					083384	082575	085569	083384	082575	085569	083384	082575	085569
62.653	2.063	4.933	6.158	PINION GEAR	083457	085703	082572	083456	085703	082572	083455	085703	082572
					083409	082575	085569	083409	082575	085569	083409	082575	085569
68.855	2.267	4.933	6.158	PINION GEAR	083529	085703	082572	083530	085703	082572	083525	085703	082572
					083378	082575	085569	083378	082575	085569	083378	082575	085569
75.944	2.500	4.933	6.158	PINION GEAR	083446	085703	082572	083444	085703	082572	083443	085703	082572
					083359	082575	085569	083359	082575	085569	083359	082575	085569
84.122	2.769	4.933	6.158	PINION GEAR	083528	085703	082572	083513	085703	082572	083514	085703	082572
					083357	082575	085569	083357	082575	085569	083357	082575	085569
93.664	3.083	4.933	6.158	PINION GEAR	083442	085703	082572	083441	085703	082572	083440	085703	082572
					083592	082575	085569	083592	082575	085569	083592	082575	085569
107.489	3.538	4.933	6.158	PINION GEAR	083527	085703	082572	083512	085703	082572	083446	085703	082572
					083347	082575	085569	083347	082575	085569	083347	082575	085569
118.978	3.917	4.933	6.158	PINION GEAR	083439	085703	082572	083438	085703	082572	083587	085703	082572
					083588	082575	085569	083588	082575	085569	083588	082575	085569
135.318	4.455	4.933	6.158	PINION GEAR	083499	085703	082572	083583	085703	082572	083582	085703	082572
					083581	082575	085569	083581	082575	085569	083581	082575	085569
154.419	5.083	4.933	6.158	PINION GEAR	083339	085703	082572	083338	085703	082572	083337	085703	082572
					083342	082575	085569	083342	082575	085569	083342	082575	085569
173.980	5.727	4.933	6.158	PINION GEAR	083336	085703	082572	083335	085703	082572	083334	085703	082572
					083340	082575	085569	083340	082575	085569	083340	082575	085569
194.415	6.400	4.933	6.158	PINION GEAR	083309	085703	082572	083308	085703	082572	083307	085703	082572
					083310	082575	085569	083310	082575	085569	083310	082575	085569
221.755	7.300	4.933	6.158	PINION GEAR	083320	085703	082572	083319	085703	082572	083319	085703	082572
					083322	082575	085569	083322	082575	085569	083322	082575	085569
249.770	8.222	4.933	6.158	PINION GEAR	083316	085703	082572	083316	085703	082572	083316	085703	082572
					083317	082575	085569	083317	082575	085569	083317	082575	085569

(1) Pinion shank diameter changes by motor frame size.



Motorized Shaft Mount MSM MW48 Parts List for Helical Gear Units			
Position / No.	Quantity	Part Number	Component Designation
001	1	090029	Gearcase - MW48
020	1 or 0	085479	Tapered roller brg , A24, (ratios 16.63 - 86.78 only)
020	1 or 0	275896	Ball bearing (pinion shaft output stage, A34)
030	1 or 0	728047	Tapered roller brg , A24, (ratios 16.63 - 86.78 only)
030	1 or 0	07914703CY	Ball bearing (pinion shaft output stage, A34)
031	1 or 0	085487	Backing ring 36x42x2.5 (ratios 16.63 - 86.78 only)
031	1 or 0	040141	Backing ring 55x68x3 (A34)
031	0 or 3	053444	Shim 30x42x0.1 (to A24)
031	0 or 5	085024	Shim 30x42x0.15 (to A24)
031	0 or 1	053479	Shim 42x52x0.1 (to A34)
031	0 or 3	696927	Shim 42x52x0.15 (to A34)
034	1 or 0	085619	Nilosring 30302AV (to 020) (A24) (ratios 16.63 - 86.78 only)
035	1 or 0	051300	Retaining ring bore J42x1.75 A24 (ratios 16.63 - 86.78 only)
035	1 or 0	278709	Retaining ring bore J52x2.0 (A34)
040	1 or 0	081837	Output flange A200 machined
045	6 or 0	309338	Bolt M10x35, DIN912
050	1	090031	Cover plate
051	10	050826	Bolt M8x20 DIN912 to attach cover plate
070	1	117205	Cap 42x9.5 for intermediate stage left
101	1 or 0	086531	Hollow shaft 35 mm diam. standard
101	1 or 0	084595	Hollow shaft 40 mm alternative
101	1 or 0	084596	Hollow shaft 40 mm diam. shrink disc
101	1 or 0	084597	Hollow shaft N40x2x30 spline shaft
101	1 or 0	084598	Hollow shaft 1.375" (34.925 mm) standard
101	1 or 0	086591	Hollow shaft 1.5" (38.1mm) alternative
101	1 or 0	092385	Hollow shaft Twin Taper Bore (TTB)
101	1 or 0	087378	Solid output shaft 1 end 30x60 mm
101	1 or 0	087330	Solid output shaft 1 end 30x60 mm
101	1 or 0	085554	Solid output shaft 1 end 40x80 mm
101	1 or 0	084599	Solid output shaft 2 ends 40x80 mm
101	1 or 0	086922	Solid output shaft 1 end 1.625"x80 mm
101	1 or 0	087364	Solid output shaft 2 ends 1.625"x80 mm
101	1 or 0	085130	Solid output shaft 1 end 1.625"x80 mm
101	1 or 0	085460	Solid output shaft 2 ends 1.625"x80 mm
103	1	085641	Sleeve 65x56x11.8 (to 130)
105	2 or 1 or 0	048542	Key (shaft end) A12x8x70 for 40x80 mm shaft
105	2 or 1 or 0	443591	Key (shaft end) for 1.250" x 60 mm shaft
105	2 or 1 or 0	086655	Key (shaft end) 3/8"x3/8"x2-3/4" for 1.625"x80 mm shaft
105	2 or 1 or 0	051585	Key (shaft end) for 30 x 60 mm shaft
111	1 or 0	050858	Bolt M12X50 DIN912 (35mm hollow shaft)
111	1 or 0	085050	Bolt M16X60 DIN6912 (40mm hollow shaft)
111	1 or 0	050857	Bolt M12x45 DIN912 (splined hollow shaft)
111	1 or 0	108328	Bolt 3/8"-16x1-3/4", (1.375" hollow shaft)
111	1 or 0	117333	Bolt 5/8"-11x2-23/64, (1.50" hollow shaft)
112	1 or 0	304604	Lock washer B12 (35mm hollow shaft)
112	1 or 0	051217	Lock washer B16 (40mm hollow shaft)
112	1 or 0	051213	Lock washer B10 (1.375" hollow shaft)
113	1 or 0	122061	Washer (hollow shaft 30 mm) D13x35x6
113	1 or 0	150042	Washer (hollow shaft 35 mm) D17x40x7
113	1 or 0	084748	Washer (Spline shaft) D13.5x40x20
113	1 or 0	123425	Washer (hollow shaft 1.375") D10.5x34.9x9

Motorized Shaft Mount MSM MW48 Parts List for Helical Gear Units			
Position / No.	Quantity	Part Number	Component Designation
113	1 or 0	116694	Washer (hollow shaft 1.5") D17.5x38.1x6
115	1 or 0	051292	Retaining ring bore J35x1.5 (35mm & 1.375" hollow shaft)
115	1 or 0	051298	Retaining ring bore J40x1.75 (45mm hollow & splined shaft)
115	1 or 0	755516	Retaining ring bore J38x1.75 (1.500" hollow shaft)
118	1 or 0	851329	Plug 35.6x12 (35mm & 1.375" hollow shaft)
118	1 or 0	851337	Plug 40.7x12(hex head) (40mm hollow shaft)
118	1 or 0	691526	Plug 90x12 (single extension solid shaft)
118	1 or 0	086482	Plug (hex head) (splined shaft)
120	1 or 0	084973	Shrink disc with cap
130	1	728543	Ball bearing (output shaft)
131	1	085641	Spacer 65x56x11.8
131	1	797103	Shim 55x68x0.15
131	3	085020	Shim 80x90x0.15
134	1 or 0	139809	Nilos ring 32011XAV (to 130) (not used with standard brgs)
135	1	278704	Retaining ring J90x3.0 (to 130, bore)
140	1	728543	Ball Bearing (output shaft, opposite 130)
143	1 or 0	139809	Nilos ring 32011XAV (to 140) (not used with standard brgs)
144	1 or 0	974611	Backing ring 80x90x3.5 (to 140) (not used with std brgs)
146	1	278704	Retaining ring J90x3.0 (to 140, bore)
160	1 or 2	085046	Output Seal 55x90x12
201	1 or 0	366233	Adapter plate - HB482 - Frames 71-100, 56-140 (1)
201	1 or 0	082418	Adapter plate - HB482 - Frames 112 - 180TC
201	1 or 0	086289	Adapter plate - HB483 - Frames 71-100, 56-140 (1)
201	1 or 0	094072	Adapter plate - HB483 - Frame 180TC
205	4 or 0	093839	Bolt M6x25-8.8 Bolt (adpt plate to motor) - HB482 (71-100, 56-140) (1)
205	4 or 0	050831	Bolt M8x35-8.8 Bolt (adapter plate to motor) - HB482 (112 - 180TC)
205	3 or 0	050817	Bolt M6x40-8.8 Bolt (adpt plate to motor) - HB483 (71-100, 56-140) (1)
205	1 or 0	050821	Bolt M6 x 55 SHCS 71-100/56-140 (1)
205	4 or 0	094453	Bolt M8 x 50 SHCS (adapter plate to motor) - Frame 180TC
210	8	050826	Bolt M8x20-8.8 Bolt (adapter plate to gear unit)
215	1 or 0	051499	Dowel Pin A6x20 (3 Stage Only)
220	1 or 0	083277	Gasket 71-100, 56-140 (Between adapter plate and input group) (1)
220	1 or 0	083278	Gasket 112 - 180TC (Between adapter plate and input group)
225	1	083273	Gasket for unit size 48 (Between adapter plate and gearcase)
301	1	See Chart	Shank pinion
305	1	See Chart	Gear
306	1	441775	Key B5x5x12 (to 305)
306	1	441791	Key B6x6x14 (to 305)
306	1 or 0	441775	Key B5x5x12 (to 325, intermediate stage)
310	1 or 0	278708	Retaining ring shaft A17x1.0, A24 (ratios 16.63 - 86.78 only)
310	1 or 0	278710	Retaining ring shaft A20x1.2, A34
315	1 or 0	037849	Ball bearing (in adapter plate) - (triple reduction)
320	1 or 0	011673	Ball bearing (in center plate) - (triple reduction)
321	1 or 0	051298	Retaining Ring bore J35x1.5 (to 320) (triple reduction)
325	1 or 0	085704	Pinion shaft i=4.929 intermediate stage ratio
330	1 or 0	082581	Gear i=4.929 intermediate stage ratio
335	1 or 0	278710	Retaining ring shaft A20x1.2, A34
340	1 or 0	082565	Pinion shaft Output Ratio A24: 10.455
340	1 or 0	082578	Pinion shaft Output Ratio A34: 5.227
345	1 or 0	085570	Gear Output Ratio small, large
346	1	441872	Key B8x7x28 (to 345)
401	3	083868	Pipe Plug 3/8" DIN908
401	1	083868	Pipe Plug 3/8" DIN908
405	1 or 0	086599	Oil sight glass 3/8" (OPTIONAL - NOT SHOWN)
406	1 or 0	086631	Gasket 17x22x2.1 (to 405)
420	1 or 0	186468	Breather 3/8" - Standard (Not Shown)
	1 or 0	094630	Washdown Breather Kit - Optional

(1) Also used for 180TC input until design change Feg 2005. At that time 180TC changed to use 112 adpt plate (#201) & hardware

QUANTIS MSM SIZE 48

GEARING CHART

DOUBLE REDUCTION

TOTAL RATIO	1st STAGE	2nd STAGE		IEC 63-71D/56C – 9 MM (1)		IEC 80D – 10 MM (1)		IEC 90D/140TC – 12 MM (1)		IEC 100D/180TC – 16 MM (1)		IEC 112D 18 MM (1)	
				1st	2nd	1st	2nd	1st	2nd	1st	2nd	1st	2nd
7.945	1.520	5.227	PINION GEAR	-----	-----	083506	082578	083467	082578	083504	082578	083503	082578
9.545	1.826	5.227	PINION GEAR	-----	-----	083511	085570	083511	085570	083511	085570	083511	085570
11.238	2.150	5.227	PINION GEAR	-----	-----	083537	082578	083517	082578	083523	082578	083524	082578
12.592	2.409	5.227	PINION GEAR	-----	-----	083479	085570	083479	085570	083479	085570	083479	085570
14.113	2.700	5.227	PINION GEAR	-----	-----	083536	082578	083460	082578	083521	082578	083473	082578
15.406	2.947	5.227	PINION GEAR	-----	-----	083474	085570	083474	085570	083474	085570	083474	085570
16.633	1.591	10.455	PINION GEAR	083469	082578	083468	082578	083515	082578	083466	082578	083465	082578
19.342	1.850	10.455	PINION GEAR	083433	085570	083433	085570	083433	085570	083433	085570	083433	085570
21.460	2.053	10.455	PINION GEAR	083533	082578	083535	082578	083455	082578	083519	082578	083436	082578
23.370	2.235	10.455	PINION GEAR	083426	085570	083426	085570	083426	085570	083426	085570	083426	085570
26.138	2.500	10.455	PINION GEAR	083463	082578	083462	082578	083467	082578	083459	082578	083458	082578
				083419	085570	083419	085570	083419	085570	083419	085570	083419	085570
				083469	082565	083468	082565	083467	082565	083466	082565	083465	082565
				370101	085570	370101	085570	370101	085570	370101	085570	370101	085570
				083533	082565	083535	082565	083517	082565	083519	082565	083436	082565
				370102	085570	370102	085570	370102	085570	370102	085570	370102	085570
				083463	082565	083462	082565	083460	082565	083419	082565	083458	082565
				370104	085570	370104	085570	370104	085570	370104	085570	370104	085570
				083531	082565	083532	082565	083515	082565	083516	082565	-----	-----
				370103	085570	370103	085570	370103	085570	370103	085570	-----	-----
				083457	082565	083456	082565	083455	082565	083454	082565	-----	-----
				370105	085570	370105	085570	370105	085570	370105	085570	-----	-----

(1) Pinion shank diameter changes by motor frame size.



QUANTIS MSM SIZE 48

GEARING CHART

DOUBLE REDUCTION

TOTAL RATIO	1st STAGE	2nd STAGE		IEC 63-71D/56C – 9 MM (1)		IEC 80D – 10 MM (1)		IEC 90D/140TC – 12 MM (1)		IEC 100D/180TC – 16 MM (1)	
				1st	2nd	1st	2nd	1st	2nd	1st	2nd
28.577	2.733	10.455	PINION GEAR	083529 370106	082565 085570	083530 370106	082565 085570	083525 370106	082565 085570	083374 370106	082565 085570
31.365	3.000	10.455	PINION GEAR	083446 370107	082565 085570	083444 370107	082565 085570	083443 370107	082565 085570	083355 370107	082565 085570
34.582	3.308	10.455	PINION GEAR	083528 370108	082565 085570	083513 370108	082565 085570	083514 370108	082565 085570	083352 370108	082565 085570
38.335	3.667	10.455	PINION GEAR	083442 370109	082565 085570	083441 370109	082565 085570	083440 370109	082565 085570	083591 370109	082565 085570
43.428	4.154	10.455	PINION GEAR	083527 370110	082565 085570	083512 370110	082565 085570	083346 370110	082565 085570	083345 370110	082565 085570
47.919	4.583	10.455	PINION GEAR	083429 370111	082565 085570	083438 370111	082565 085570	083587 370111	082565 085570	083586 370111	082565 085570
54.176	5.182	10.455	PINION GEAR	083499 370112	082565 085570	083583 370112	082565 085570	083582 370112	082565 085570	083580 370112	082565 085570
61.859	5.917	10.455	PINION GEAR	083339 370113	082565 085570	083338 370113	082565 085570	083337 370113	082565 085570	-----	-----
70.334	6.727	10.455	PINION GEAR	083336 370115	082565 085570	083335 370115	082565 085570	083334 370115	082565 085570	-----	-----
75.276	7.200	10.455	PINION GEAR	083309 370114	082565 085570	083308 370114	082565 085570	083307 370114	082565 085570	-----	-----
86.777	8.300	10.455	PINION GEAR	083320 370116	082565 085570	083319 370116	082565 085570	-----	-----	-----	-----

(1) Pinion shank diameter changes by motor frame size.



RENEWAL PARTS DATA

QUANTIS MSM SIZE 48
GEARING CHART
TRIPLE REDUCTION

TOTAL RATIO	1st STAGE	2nd STAGE	3rd STAGE		IEC 63-71D/56C – 9 MM (1)			IEC 80D – 10 MM (1)			IEC 90D/140TC – 12 MM (1)		
					1st	2nd	3rd	1st	2nd	3rd	1st	2nd	3rd
40.988	1.591	4.929	5.227	PINION GEAR	083469	085704	082578	083468	085704	082578	083467	085704	082578
					370101	082581	085570	370101	082581	085570	370101	082581	085570
47.663	1.850	4.929	5.227	PINION GEAR	083533	085704	082578	083535	085704	082578	083517	085704	082578
					370102	082581	085570	370102	082581	085570	370102	082581	085570
52.884	2.053	4.929	5.227	PINION GEAR	083463	085704	082578	083462	085704	082578	083460	085704	082578
					370104	082581	085570	370104	082581	085570	370104	082581	085570
57.590	2.235	4.929	5.227	PINION GEAR	083531	085704	082578	083532	085704	082578	083515	085704	082578
					370103	082581	085570	370103	082581	085570	370103	082581	085570
64.410	2.500	4.929	5.227	PINION GEAR	083457	085704	082578	083456	085704	082578	083455	085704	082578
					370105	082581	085570	370105	082581	085570	370105	082581	085570
70.421	2.733	4.929	5.227	PINION GEAR	083529	085704	082578	083530	085704	082578	083525	085704	082578
					370106	082581	085570	370106	082581	085570	370106	082581	085570
77.292	3.000	4.929	5.227	PINION GEAR	083446	085704	082578	083444	085704	082578	083443	085704	082578
					370107	082581	085570	370107	082581	085570	370107	082581	085570
85.219	3.308	4.929	5.227	PINION GEAR	083528	085704	082578	083513	085704	082578	083514	085704	082578
					370108	082581	085570	370108	082581	085570	370108	082581	085570
94.468	3.667	4.929	5.227	PINION GEAR	083442	085704	082578	083441	085704	082578	083440	085704	082578
					370109	082581	085570	370109	082581	085570	370109	082581	085570
107.019	4.154	4.929	5.227	PINION GEAR	083527	085704	082578	083512	085704	082578	083346	085704	082578
					370110	082581	085570	370110	082581	085570	370110	082581	085570
118.084	4.583	4.929	5.227	PINION GEAR	083429	085704	082578	083438	085704	082578	083587	085704	082578
					370111	082581	085570	370111	082581	085570	370111	082581	085570
133.504	5.182	4.929	5.227	PINION GEAR	083499	085704	082578	083583	085704	082578	083582	085704	082578
					370112	082581	085570	370112	082581	085570	370112	082581	085570
152.436	5.917	4.929	5.227	PINION GEAR	083339	085704	082578	083338	085704	082578	083337	085704	082578
					370113	082581	085570	370113	082581	085570	370113	082581	085570
173.321	6.727	4.929	5.227	PINION GEAR	083336	085704	082578	083335	085704	082578	083334	085704	082578
					370115	082581	085570	370115	082581	085570	370115	082581	085570
185.500	7.200	4.929	5.227	PINION GEAR	083309	085704	082578	083308	085704	082578	083307	085704	082578
					370114	082581	085570	370114	082581	085570	370114	082581	085570
213.840	8.300	4.929	5.227	PINION GEAR	083320	085704	082578	083319	085704	082578	083319	085704	082578
					370116	082581	085570	370116	082581	085570	370116	082581	085570

(1) Pinion shank diameter changes by motor frame size.



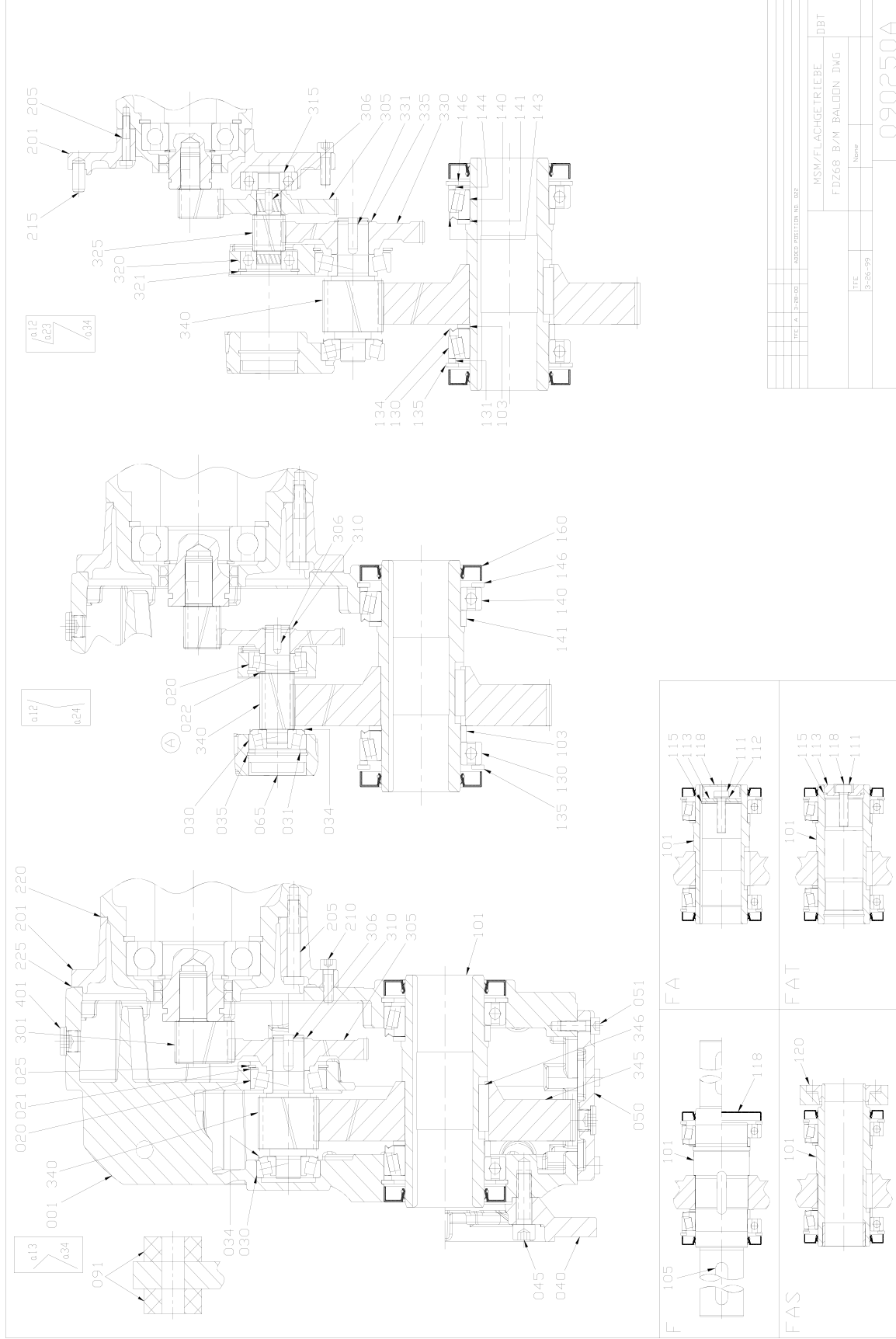
QUANTIS MSM SIZE 48

GEARING CHART

TRIPLE REDUCTION

TOTAL RATIO	1st STAGE	2nd STAGE	3rd STAGE		IEC100D-180TC 16 MM (1)			IEC112 18 MM (1)		
					1st	2nd	3rd	1st	2nd	3rd
40.988	1.591	4.929	5.227	PINION GEAR	083466 370101	085704 082581	082578 085570	-----	-----	-----
47.663	1.850	4.929	5.227	PINION GEAR	083519 370102	085704 082581	082578 085570	-----	-----	-----
52.884	2.053	4.929	5.227	PINION GEAR	083459 370104	085704 082581	082578 085570	-----	-----	-----
57.590	2.235	4.929	5.227	PINION GEAR	083516 370103	085704 082581	082578 085570	-----	-----	-----
64.410	2.500	4.929	5.227	PINION GEAR	083454 370105	085704 082581	082578 085570	-----	-----	-----
70.421	2.733	4.929	5.227	PINION GEAR	083374 370106	085704 082581	082578 085570	-----	-----	-----
77.292	3.000	4.929	5.227	PINION GEAR	083355 370107	085704 082581	082578 085570	-----	-----	-----
85.219	3.308	4.929	5.227	PINION GEAR	083352 370108	085704 082581	082578 085570	-----	-----	-----
94.468	3.667	4.929	5.227	PINION GEAR	083591 370109	085704 082581	082578 085570	-----	-----	-----
107.019	4.154	4.929	5.227	PINION GEAR	083345 370110	085704 082581	082578 085570	-----	-----	-----
118.084	4.583	4.929	5.227	PINION GEAR	083586 370111	085704 082581	082578 085570	-----	-----	-----
133.504	5.182	4.929	5.227	PINION GEAR	083580 370112	085704 082581	082578 085570	-----	-----	-----
152.436	5.917	4.929	5.227	PINION GEAR	-----	-----	-----	-----	-----	-----
173.312	6.727	4.929	5.227	PINION GEAR	-----	-----	-----	-----	-----	-----
185.500	7.200	4.929	5.227	PINION GEAR	-----	-----	-----	-----	-----	-----
213.840	8.300	4.929	5.227	PINION GEAR	-----	-----	-----	-----	-----	-----

(1) Pinion shank diameter changes by motor frame size.



TYPE A	3-26-00	ANZEIGENGERÄTE
MSM/FLACHGETRIEBE		
FDZ68 B/M BALCON DMG		
TRE	3-26-99	None
090250A		

Motorized Shaft Mount MSM MW68 Parts List for Helical Gear Units			
Position / No.	Quantity	Part Number	Component Designation
001	1	090033	Gearcase - MW68
020	1 or 0	085063	Tapered roller bearing (A24) (ratios 26.75 - 82.52 only)
020	1 or 0	085475	Tapered roller bearing (pinion shaft output stage, A34)
021	1 or 0	085043	Backing ring 40x47x2.5 A24 (ratios 26.75 - 82.52)
021	1 or 0	085486	Backing ring 54x62x1.5 (A34)
022	1 or 0	091844	Backing ring 20x28x1.0 A24 (ratios 26.75 - 82.52 only)
025	1 or 0	278707	Retaining ring bore J47x1.75 (A24) (ratios 26.75 - 82.52 only)
025	1 or 0	278701	Retaining ring bore J52x2.0 (A34)
030	1 or 0	085477	Tapered roller bearing (pinion shaft output stage, A24)
030	1 or 0	101094	Tapered roller bearing (pinion shaft output stage, A34)
031	0 or 1	982701	Shim 40x47x0.1 (to A24)
031	0 or 3	982702	Shim 40x47x0.15 (to A24)
031	0 or 3	084641	Shim 54x62x0.1 (to A34)
031	0 or 3	085484	Shim 54x62x0.15 (to A34)
034	1 or 0	085630	Nilosring 30304AV (to 020)
034	1 or 0	085629	Nilosring 30303AV (to 030)
040	1 or 0	081857	Output flange A250 machined
045	6 or 0	050856	Bolt M12x40, DIN912
050	1	090035	Cover plate
051	10	134941	Bolt M8x25 DIN912 to attach cover plate
055	1	092479	Cover plate gasket (not shown)
065	1	630420	Bore Plug 47x6.5 for intermediate stage left
101	1 or 0	086532	Hollow shaft 40 mm diam. standard
101	1 or 0	084600	Hollow shaft 45 mm alternative
101	1 or 0	084601	Hollow shaft 50 mm diam. shrink disc
101	1 or 0	084602	Hollow shaft N50x2x30 spline shaft
101	1 or 0	087371	Hollow shaft 1.4375
101	1 or 0	084604	Hollow shaft 1.5" (38.1 mm) standard
101	1 or 0	086592	Hollow shaft 1.75" (44.45mm) alternative
101	1 or 0	092483	Hollow shaft Twin Taper Bore (TTB)
101	1 or 0	087379	Solid output shaft 1 end 40x80 mm
101	1 or 0	087331	Solid output shaft 2 ends 40x80 mm
101	1 or 0	085555	Solid output shaft 1 end 50x100 mm
101	1 or 0	084605	Solid output shaft 2 ends 50x100 mm
101	1 or 0	086924	Solid output shaft 1 end 1.625"x80mm
101	1 or 0	087365	Solid output shaft 2 ends 1.625"x80mm
101	1 or 0	085461	Solid output shaft 1 end 2.00"x100 mm
101	1 or 0	085462	Solid output shaft 2 ends 2.00"x100 mm
103	1 or 0	085644	Sleeve 66x75x12.3 (to 130) (hollow shaft)
103	1 or 0	654019	Backing ring 65x85x3.5 (to 130) (solid shaft)
105	2 or 1 or 0	051616	Key (shaft end) A14x9x80 for 50x100 mm shaft
105	2 or 1 or 0	086656	Key (shaft end) 1/2"x1/2"x3-1/2" for 2"x100 mm shaft
105	2 or 1 or 0	048542	Key (shaft end) for 40 x 80 mm shaft
111	1 or 0	085050	Bolt M16X60 DIN6912 (40mm & 45mm hollow shaft)
111	1 or 0	021746	Bolt M16X55 DIN912 (splined hollow)
111	1 or 0	117333	Bolt 5/8"-11x2-1/4, 8.8 (1.500" hollow shaft)
112	1 or 0	051217	Lock washer B16 A2F (40mm & 45mm hollow shaft)
113	1 or 0	150042	Washer (hollow shaft 40 mm) D17x40x7
113	1 or 0	122062	Washer (hollow shaft 45 mm) D17x45x8
113	1 or 0	084749	Washer (Spline shaft) D17.5x55x23
113	1 or 0	116694	Washer (hollow shaft 1.5") D17.5x38.1x6
113	1 or 0	116701	Washer (hollow shaft 1.75") D17.5x44.45x6
115	1 or 0	051298	Retaining ring bore J40x1.75 (40mm hollow shaft)
115	1 or 0	051302	Retaining ring bore J45x1.75 (45mm hollow shaft)
115	1 or 0	051307	Retaining ring bore J55x2.0 (splined hollow shaft)
115	1 or 0	755516	Retaining ring bore J38x1.5 (1.500" hollow shaft)
118	1 or 0	851337	Plug 40.7x12 (hex head) (40mm & 1.500" hollow shaft)
118	1 or 0	851345	Plug D45 DA50 (45mm hollow shaft)
118	1 or 0	899852	Plug 47x14.5 (1.75" hollow shaft)
118	1 or 0	866695	Plug 100x12 (solid shaft single extension)
120	1 or 0	084974	Shrink disc with cap

Motorized Shaft Mount MSM MW68 Parts List for Helical Gear Units			
Position / No.	Quantity	Part Number	Component Designation
130	1 or 0	511331	Ball bearing (output shaft) (hollow output shaft)
130	1 or 0	085062	Tapered roller bearing (solid output shaft)
131	1 or 0	989644	Backing ring 88x100x3.5 (to 130) (solid output shaft)
131	3	989647	Shim 88x100x0.1 (to 130)
131	3	989648	Shim 88x100x0.15 (to 130)
134	1 or 0	085519	Nilos ring 32013XAV (to 130) (solid output shaft)
135	1	278717	Retaining ring J100x3.0 (to 130, bore)
140	1 or 0	511331	Ball Bearing (output shaft, opposite 130) (hollow output)
140	1 or 0	085062	Tapered roller bearing (output shaft) (solid output shaft)
141	1 or 0	085644	Sleeve 66x75x12.8 (to 140) (hollow output shaft)
141	1 or 0	654019	Backing ring 65x85x3.5 (to 140) (solid shaft)
143	1 or 0	085519	Nilos ring 32013XAV (to 140) (solid output shaft)
144	1 or 0	989644	Backing ring 88x100x3.5 (to 140) (solid output shaft)
146	1	278717	Retaining ring J100x3.0 (to 140, bore)
160	1 or 2	511307	Output Seal 65x100x12
201	1 or 0	082522	Adapter plate - HB682 - Frames 71-100, 56-140 (1)
201	1 or 0	082420	Adapter plate - HB682 - Frames 112 180TC
201	1 or 0	082428	Adapter plate - HB682 - Frames 132, 210
201	1 or 0	082592	Adapter plate - HB683 - Frames 71-100, 56-140 (1)
201	1 or 0	094092	Adapter plate - HB683 - Frame 180TC
205	4 or 0	094033	Bolt M6x22-8.8 Bolt (adpt plate to motor) - HB682 71-100, 56-140 (1)
205	4 or 0	093853	Bolt M8x25-8.8 Bolt (adapter plate to motor) - HB682 112 - 180TC
205	4 or 0	093790	Bolt M10x60-8.8 Bolt (adapter plate to motor) - HB682 132-210
205	3 or 0	504637	Bolt M6x35-8.8 Bolt (adpt plate to motor) - HB683 71-100, 56-140 (1)
205	1 or 0	050821	Bolt M6x55-8.8 Bolt (adpt plate to motor) - HB683 71-100, 56-140 (1)
205	4 or 0	094454	Bolt M8x45 Bolt (adpt plate to motor) - HB683 - Frame 180TC
210	8	093853	Bolt M8x25-8.8 Bolt (adapter plate to gear unit)
215	1 or 0	053168	Dowel Pin A10x24 (3 Stage Only)
220	1 or 0	083277	Gasket 71-100, 56-140 (Between adapter plate and input group) (1)
220	1 or 0	083278	Gasket 112 - 180TC (Between adapter plate and input group)
220	1 or 0	083279	Gasket 132, 210 (Between adapter plate and input group)
225	1	082519	Gasket for unit size 68 (Between adapter plate and gearcase)
301	1	See Chart	Shank pinion
305	1	See Chart	Gear
306	1	441791	Key B6x6x14 (to 305)
306	1	051574	Key B8x7x20 (to 305)
306	1 or 0	441791	Key B6x6x14 (to 325, intermediate stage) (triple reduction)
310	1 or 0	278710	Retaining ring shaft A20x1.2, A24
310	1 or 0	278712	Retaining ring shaft A25x1.2, A34
315	1 or 0	275896	Ball bearing (in adapter plate) - (triple reduction)
320	1 or 0	011681	Ball bearing (in center plate) - (triple reduction)
321	1 or 0	278707	Retaining ring J40x1.75 (triple reduction)
325	1 or 0	085705	Pinion shaft i=5.214 intermediate stage ratio
330	1 or 0	083483	Gear i=5.214 intermediate stage ratio
335	1 or 0	278712	Retaining ring shaft A25x1.2, A34
340	1 or 0	082576	Pinion shaft Output Ratio A24: 9.077
340	1 or 0	082964	Pinion shaft Output Ratio A34: 4.720
345	1 or 0	085571	Gear Output Ratio small, large
346	1	441902	Key B12x8x36 (to 345)
401	5	083868	Pipe Plug 3/8" DIN908
401	1	083868	Pipe Plug 3/8" DIN908
405	1 or 0	086599	Oil sight glass 3/8" (OPTIONAL - NOT SHOWN)
406	1 or 0	086631	Gasket 17x22x2.1 (to 405)
420	1 or 0	186468	Breather 3/8" - Standard (Not Shown)
	1 or 0	094630	Washdown Breather Kit - Optional

(1) Also used for 180TC input until design change Feb 2005. At that time 180TC changed to use 112 adpt plate (#201) & hardware.



QUANTIS MSM SIZE 68

GEARING CHART

DOUBLE REDUCTION

TOTAL RATIO	1st STAGE	2nd STAGE	IEC 63-71D/56C – 9 MM (1)		IEC 80D – 10 MM (1)		IEC 90D/140TC – 12 MM (1)		IEC 100D/180TC – 16 MM (1)		IEC 112D – 18 MM (1)		IEC132D-210TC – 22 MM (1)	
			1st	2nd	1st	2nd	1st	2nd	1st	2nd	1st	2nd	1st	2nd
6.651	1.409	4.720	-----	-----	-----	-----	-----	-----	083450	082964	083349	082964	083448	082964
8.024	1.700	4.720	-----	-----	-----	-----	-----	-----	083451	085571	083451	085571	083451	085571
9.629	2.040	4.720	-----	-----	-----	-----	-----	-----	083540	082964	083541	082964	083543	082964
11.287	2.391	4.720	-----	-----	083506	082964	083505	082964	083504	082964	083503	082964	083502	082964
13.452	2.850	4.720	-----	-----	083510	085571	083510	085571	083510	085571	083510	085571	083510	085571
14.589	3.091	4.720	-----	-----	083537	082964	083522	082964	083523	082964	083524	082964	083478	082964
16.284	3.450	4.720	-----	-----	083480	085571	083480	085571	083480	085571	083480	085571	083480	085571
17.638	3.737	4.720	-----	-----	083536	082964	083520	082964	083521	082964	083473	082964	083472	082964
19.991	4.235	4.720	-----	-----	083475	085571	083475	085571	083475	085571	083475	085571	083475	085571
21.535	4.563	4.720	083469	082964	083468	082964	083467	082964	083466	082964	083465	082964	083464	082964
23.285	4.933	4.720	083434	085571	083434	085571	083434	085571	083434	085571	083434	085571	083434	085571
26.753	2.947	9.077	083533	082964	083535	082964	083517	082964	083519	082964	083436	082964	083423	082964
			083427	085571	083427	085571	083427	085571	083427	085571	083427	085571	083427	085571
			083463	082964	083462	082964	083460	082964	083459	082964	083458	082964	083416	082964
			083420	085571	083420	085571	083420	085571	083420	085571	083420	085571	083420	085571
			083387	085571	083387	085571	083387	085571	083387	085571	083387	085571	083387	085571
			083457	082964	083456	082964	083455	082964	083454	082964	083408	082964	083407	082964
			083413	085571	083413	085571	083413	085571	083413	085571	083413	085571	083413	085571
			083529	082964	083530	082964	083525	082964	083374	082964	083373	082964	083371	082964
			083382	085571	083382	085571	083382	085571	083382	085571	083382	085571	083382	085571
			083463	082576	083462	082576	083460	082576	083459	082576	083458	082576	083416	082576
			083419	085571	083419	085571	083419	085571	083419	085571	083419	085571	083419	085571

(1) Pinion shank diameter changes by motor frame size.



QUANTIS MSM SIZE 68

GEARING CHART

DOUBLE REDUCTION

TOTAL RATIO	1st STAGE	2nd STAGE		IEC 63-71D/56C – 9 MM (1)		IEC 80D – 10 MM (1)		IEC 90D/140TC – 12 MM (1)		IEC 100D/180TC – 16 MM (1)		IEC 112D 18 MM (1)	
				1st	2nd	1st	2nd	1st	2nd	1st	2nd	1st	2nd
29.367	3.235	9.077	PINION GEAR	083531 083386	082576 085571	083532 083386	082576 085571	083515 083386	082576 085571	083516 083386	082576 085571	083377 083386	082576 085571
32.337	3.563	9.077	PINION GEAR	083457 083412	082576 085571	083456 083412	082576 085571	083455 083412	082576 085571	083454 083412	082576 085571	083408 083412	082576 085571
35.098	3.867	9.077	PINION GEAR	083529 083381	082576 085571	083530 083381	082576 085571	083525 083381	082576 085571	083374 083381	082576 085571	083373 083381	082576 085571
38.253	4.214	9.077	PINION GEAR	083446 083370	082576 085571	083444 083370	082576 085571	083443 083370	082576 085571	083355 083370	082576 085571	083354 083370	082576 085571
41.894	4.615	9.077	PINION GEAR	083528 083369	082576 085571	083513 083369	082576 085571	083514 083369	082576 085571	083352 083369	082576 085571	083351 083369	082576 085571
46.141	5.083	9.077	PINION GEAR	083442 083331	082576 085571	083441 083331	082576 085571	083440 083331	082576 085571	083359 083331	082576 085571	083350 083331	082576 085571
53.066	5.846	9.077	PINION GEAR	083527 083368	082576 085571	083512 083368	082576 085571	083346 083368	082576 085571	083345 083368	082576 085571	083344 083368	082576 085571
57.488	6.333	9.077	PINION GEAR	083439 083365	082576 085571	083438 083365	082576 085571	083587 083365	082576 085571	083586 083365	082576 085571	083584 083365	082576 085571
63.539	7.000	9.077	PINION GEAR	083499 083363	082576 085571	083583 083363	082576 085571	083582 083363	082576 085571	083580 083363	082576 085571	-----	-----
74.129	8.167	9.077	PINION GEAR	083339 083367	082576 085571	083338 083367	082576 085571	083337 083367	082576 085571	-----	-----	-----	-----
82.518	9.091	9.077	PINION GEAR	083336 083366	082576 085571	083335 083366	082576 085571	083307 083366	082576 085571	-----	-----	-----	-----

(1) Pinion shank diameter changes by motor frame size.



RENEWAL PARTS DATA

QUANTIS MSM SIZE 68
GEARING CHART

TRIPLE REDUCTION

TOTAL RATIO	1st STAGE	2nd STAGE	3rd STAGE		IEC 63-71D/56C – 9 MM			IEC 80D – 10 MM			IEC 90D/140TC – 12 MM					
					1st	2nd	3rd	1st	2nd	3rd	1st	2nd	3rd			
37.407	1.520	5.214	4.720	PINION GEAR	-----	-----	-----	083506	083505	082964	083505	085705	082964	083505	085705	082964
44.940	1.826	5.214	4.720	PINION GEAR	-----	-----	-----	083537	083479	083483	083522	085705	082964	083479	085705	082964
52.912	2.150	5.214	4.720	PINION GEAR	-----	-----	-----	083536	083474	083483	083520	085705	082964	083474	085705	082964
59.288	2.409	5.214	4.720	PINION GEAR	083469	085705	082964	083468	083467	082964	083467	085705	082964	083467	085705	082964
66.447	2.700	5.214	4.720	PINION GEAR	083433	083483	085571	083433	083433	083483	083433	083483	085571	083433	083483	085571
72.535	2.947	5.214	4.720	PINION GEAR	083533	085705	082964	083426	083426	083483	083517	085705	082964	083426	085705	082964
79.621	3.235	5.214	4.720	PINION GEAR	083463	085705	082964	083419	083419	083483	083460	085705	082964	083419	085705	082964
87.673	3.563	5.214	4.720	PINION GEAR	083419	083483	085571	083531	083532	085571	083515	085705	082964	083531	085705	082964
95.159	3.867	5.214	4.720	PINION GEAR	083386	083483	085571	083457	083456	085571	083386	083483	085571	083456	083483	085571
103.714	4.214	5.214	4.720	PINION GEAR	083412	083483	085571	083529	083530	085571	083412	083483	085571	083529	083483	085571
113.585	4.615	5.214	4.720	PINION GEAR	083381	083483	085571	083446	083444	085571	083381	083483	085571	083444	083483	085571
125.101	5.083	5.214	4.720	PINION GEAR	083370	083483	085571	083528	083513	085571	083370	083483	085571	083513	083483	085571
143.874	5.846	5.214	4.720	PINION GEAR	083369	083483	085571	083442	083441	085571	083369	083483	085571	083441	083483	085571
155.864	6.333	5.214	4.720	PINION GEAR	083331	083483	085571	083527	083512	085571	083331	083483	085571	083512	083483	085571
172.271	7.000	5.214	4.720	PINION GEAR	083368	083483	085571	083439	083438	085571	083368	083483	085571	083438	083483	085571
200.982	8.167	5.214	4.720	PINION GEAR	083365	083483	085571	083499	083583	085571	083365	083483	085571	083583	083483	085571
223.728	9.091	5.214	4.720	PINION GEAR	083363	083483	085571	083339	083338	085571	083363	083483	085571	083338	083483	085571
				PINION GEAR	083367	083483	085571	083336	083335	085571	083367	083483	085571	083335	083483	085571
				PINION GEAR	083366	083483	085571	083366	083366	085571	083366	083483	085571	083366	083483	085571

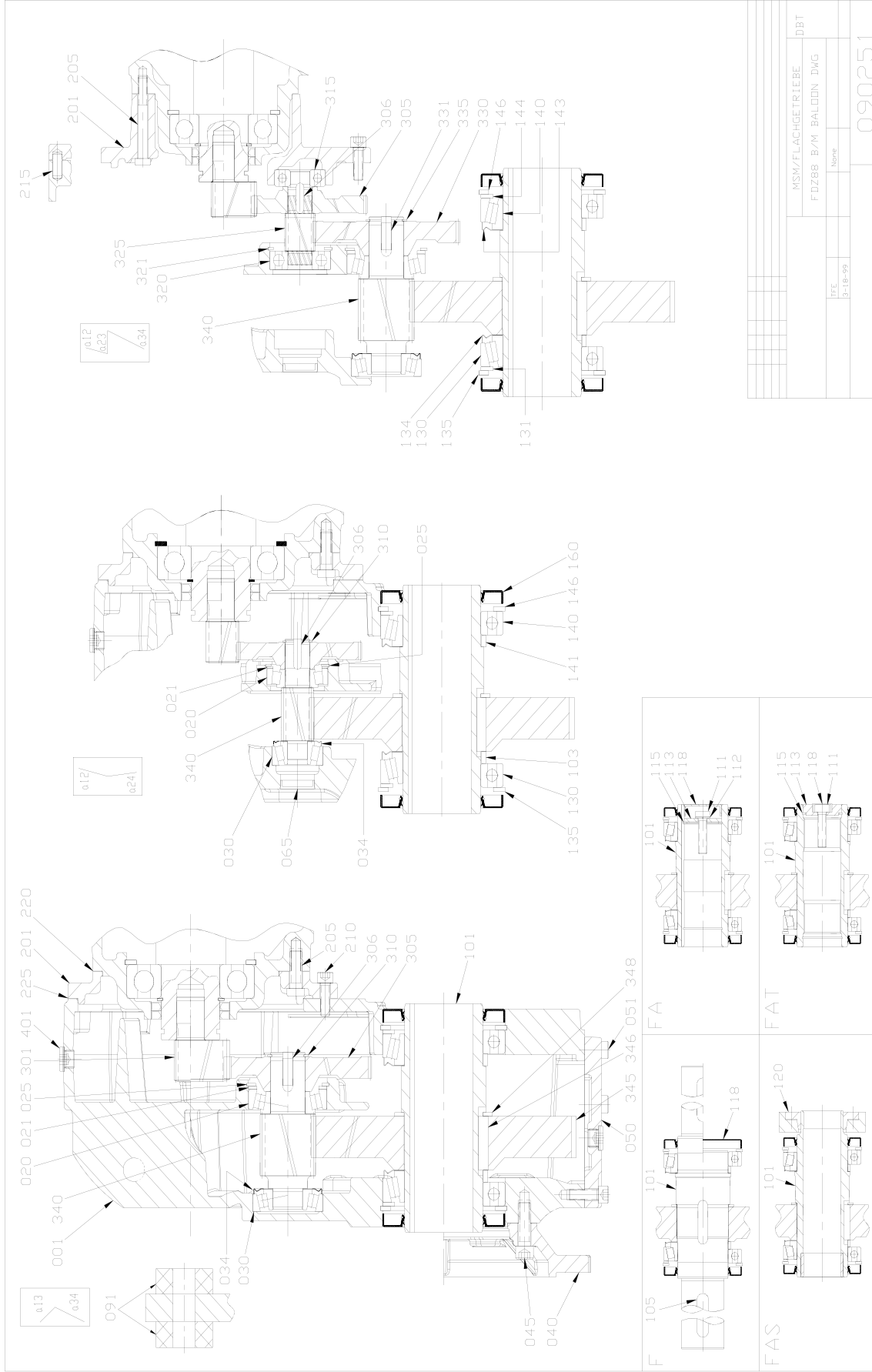


QUANTIS MSM SIZE 68

GEARING CHART

TRIPLE REDUCTION

TOTAL RATIO	1st STAGE	2nd STAGE	3rd STAGE		IEC100D-180TC 16 MM (I)			IEC112 18 MM		
					1st	2nd	3rd	1st	2nd	3rd
37.407	1.520	5.214	4.720	PINION GEAR	083504 083511	085705 083483	082964 085571	----- -----	----- -----	----- -----
44.940	1.826	5.214	4.720	PINION GEAR	083523 083479	085705 083483	082964 085571	----- -----	----- -----	----- -----
52.912	2.150	5.214	4.720	PINION GEAR	083521 083474	085705 083483	082964 085571	----- -----	----- -----	----- -----
59.288	2.409	5.214	4.720	PINION GEAR	083466 083433	085705 083483	082964 085571	----- -----	----- -----	----- -----
66.447	2.700	5.214	4.720	PINION GEAR	083519 083426	085705 083483	082964 085571	----- -----	----- -----	----- -----
72.535	2.947	5.214	4.720	PINION GEAR	083459 083419	085705 083483	082964 085571	----- -----	----- -----	----- -----
79.621	3.235	5.214	4.720	PINION GEAR	083516 083386	085705 083483	082964 085571	----- -----	----- -----	----- -----
87.673	3.563	5.214	4.720	PINION GEAR	083454 083412	085705 083483	082964 085571	----- -----	----- -----	----- -----
95.159	3.867	5.214	4.720	PINION GEAR	083374 083381	085705 083483	082964 085571	----- -----	----- -----	----- -----
103.714	4.214	5.214	4.720	PINION GEAR	083355 083370	085705 083483	082964 085571	----- -----	----- -----	----- -----
113.585	4.615	5.214	4.720	PINION GEAR	083352 083369	085705 083483	082964 085571	----- -----	----- -----	----- -----
125.101	5.083	5.214	4.720	PINION GEAR	083591 083331	085705 083483	082964 085571	----- -----	----- -----	----- -----
143.874	5.846	5.214	4.720	PINION GEAR	083345 083368	085705 083483	082964 085571	----- -----	----- -----	----- -----
155.864	6.333	5.214	4.720	PINION GEAR	083586 083365	085705 083483	082964 085571	----- -----	----- -----	----- -----
172.271	7.000	5.214	4.720	PINION GEAR	083580 083363	085705 083483	082964 085571	----- -----	----- -----	----- -----



MSM/FLACHGETRIEBE		DBT
FDZ88 B/M BALDORN DWG		
T/E	None	
3-18-99		
		090251

Motorized Shaft Mount MSM MW88			Parts List for Helical Gear Units
Position / No.	Quantity	Part Number	Component Designation
001	1	090037	Gearcase - MW88
020	1 or 0	085475	Tapered roller bearing 30305 (pinion shaft output stage, A24)
020	1 or 0	115559	Tapered roller bearing 30307 (pinion shaft output stage, A34)
021	1 or 0	085486	Backing ring 54x62x1.5 (A24)
021	1 or 0	152569	Backing ring 66x80x3 (A34)
021	0 or 3	084641	Shim 54x62x0.1 (to A24)
021	0 or 1	085484	Shim 54x62x0.15 (to A24)
021	0 or 5	085483	Shim 70x80x0.1 (to A34)
021	0 or 3	085482	Shim 70x80x0.15 (to A34)
025	1 or 0	278701	Retaining ring bore J52x2.0 (A24)
025	1 or 0	278715	Retaining ring bore J80x2.5 (A34)
030	1 or 0	085476	Tapered roller bearing 32304 (pinion shaft output stage, A24)
030	1 or 0	698512	Tapered roller bearing 30306 (pinion shaft output stage, A34)
034	1 or 0	085633	Nilosring 30306AV (to 020)
034	1 or 0	085632	Nilosring 32304AV (to 030)
040	1 or 0	081872	Output flange A300 machined
045	6 or 0	050856	Bolt M12x40, DIN912
050	1	090266	Cover plate - steel
051	10	050843	Bolt M10x30 DIN912 to attach cover plate
055	1	092430	Cover plate gasket (not shown)
065	1	335436	Cap 35x8 for intermediate stage left
101	1 or 0	086533	Hollow shaft 50 mm diam. standard
101	1 or 0	084606	Hollow shaft 60 mm alternative
101	1 or 0	084607	Hollow shaft 60 mm diam. shrink disc
101	1 or 0	084608	Hollow shaft N60x2x30 spline shaft
101	1 or 0	087372	Hollow Shaft 1.9375"
101	1 or 0	084609	Hollow shaft 2" (50.8 mm) standard
101	1 or 0	086593	Hollow shaft 2.375" (60.325 mm) alternative
101	1 or 0	092401	Hollow shaft Twin Taper Bore (TTB)
101	1 or 0	084613	Solid output shaft 1 end 50x100 mm
101	1 or 0	087332	Solid output shaft 2 ends 50x100 mm
101	1 or 0	085556	Solid output shaft 1 end 70x140 mm
101	1 or 0	084610	Solid output shaft 2 ends 70x140 mm
101	1 or 0	086925	Solid output shaft 1 end 2.00"x100 mm standard
101	1 or 0	087366	Solid output shaft 2 ends 2.00"x100 mm standard
101	1 or 0	085463	Solid output shaft 1 end 2.750"x140 mm optional
101	1 or 0	085464	Solid output shaft 2 ends 2.750"x140 mm optional
103	1 or 0	085517	Sleeve 90x81x11 (to 130) (solid shaft)
105	2 or 1 or 0	652334	Key (shaft end) A20x12x110 for 70x140 mm shaft
105	2 or 1 or 0	086657	Key (shaft end) 5/8"x5/8"x4-1/4" for 2.875"x140 mm shaft
105	2 or 1 or 0	051616	Key (shaft end) for 50 x 100 mm shaft
111	1 or 0	085050	Bolt M16X60 DIN6912 (50mm hollow shaft)
111	1 or 0	050784	Bolt M20X70 (60mm hollow shaft)
111	1 or 0	021746	Bolt M16X55 DIN912 (splined hollow shaft)
111	1 or 0	093854	Bolt 3/4"-10x2-23/64, 8.8 (2.000" hollow shaft)
111	1 or 0	117333	Bolt 5/8-11 x 2-1/4" SHCS UNC 8.8 (1.9375" hollow shaft)
112	1 or 0	051217	Lock washer B16 A2F (50mm & 1.9375" hollow shaft)
112	1 or 0	681407	Lock washer B20 A2F (60mm & 2.000" hollow shaft)
113	1 or 0	122063	Washer (hollow shaft 50 mm) D17x50x10
113	1 or 0	122065	Washer (hollow shaft 60 mm) D21x60x10
113	1 or 0	084750	Washer (Spline shaft) D17.5x65x25
113	1 or 0	123426	Washer (hollow shaft 2") D21x50.8x10
113	1 or 0	122065	Washer (hollow shaft 2.375") D21x60x10
113	1 or 0	086473	Washer (hollow shaft 1.9375") D17.5x49x10
115	1 or 0	051305	Retaining ring bore J50x2 (50mm & 1.9375" hollow shaft)
115	1 or 0	051311	Retaining ring bore J60x2 (60mm hollow shaft)
115	1 or 0	086380	Retaining ring bore J65x2.5 (splined hollow shaft)
118	1 or 0	086383	Plug 59.6x18 (60mm hollow shaft)
118	1 or 0	851353	Plug D50 (50mm, 1.9375" & 2.000" hollow shaft)
118	1 or 0	086483	Plug hex head SW14 (splined hollow shaft)
118	1 or 0	085712	Plug 125x12 (solid shaft single extension)
120	1 or 0	084975	Shrink disc with cap
130	1 or 0	085059	Ball bearing 6016Z (hollow output shaft)
130	1 or 0	085060	Tapered roller bearing 32016X (solid output shaft)

Motorized Shaft Mount MSM MW88 Parts List for Helical Gear Units			
Position / No.	Quantity	Part Number	Component Designation
131	1 or 0	085042	Backing ring 110x125x3,5 (to 130) (solid shaft)
131	3	085021	Shim 110x125x0.1
131	3	085023	Shim 110x125x0.15
134	1 or 0	085520	Nilos ring 32016XAV (to 130) (solid output shaft)
135	1	085052	Retaining ring J125x4.0 (to 130, bore)
140	1 or 0	085059	Ball Bearing (hollow output shaft, opposite 130)
140	1 or 0	085060	Tapered roller bearing (solid output shaft)
141	1 or 0	085517	Sleeve 90x81x11 (to 140) (hollow output shaft)
143	1 or 0	085520	Nilos ring 32016XAV (to 140) (solid output shaft)
144	1 or 0	085042	Backing ring 110x125x3,5 (to 140) (solid output shaft)
146	1	085052	Retaining ring J125x4.0 (to 140, bore)
160	1 or 2	085048	Output Seal 80x125x12
201	1 or 0	082408	Adapter plate - HB882 - Frames 90, 140TC
201	1 or 0	082412	Adapter plate - HB882 - Frame 100, 56C-140TC (1)
201	1 or 0	082524	Adapter plate - HB882 - Frames 112 - 180TC
201	1 or 0	082528	Adapter plate - HB882 - Frames 132, 210TC
201	1 or 0	082599	Adapter plate - HB882 - Frames 160, 250TC
201	1 or 0	082476	Adapter plate - HB883 - Frames 71-100, 56-140TC (1)
201	1 or 0	082484	Adapter plate - HB883 - Frames 112 - 180TC
201	1 or 0	082492	Adapter plate - HB883 - Frames 132, 210TC
205	4 or 0	094033	Bolt M6x22-8.8 (adpt plate to motor) - HB882 90-100, 140TC (1)
205	4 or 0	093853	Bolt M8x25-8.8 Bolt (adapter plate to motor) - HB882 112 - 180TC
205	4 or 0	133241	Bolt M10x45-8.8 (adapter plate to motor) - HB882 132, 210TC
205	4 or 0	174820	Bolt M12x35-8.8 (adapter plate to motor) - HB882 160, 250TC
205	4 or 0	093839	Bolt M6x25-8.8 (adpt plate to motor) - HB883 71-100, 56-140TC (1)
205	3 or 0	050831	Bolt M8x35-8.8 Bolt (adapter plate to motor) - HB883 112 - 180TC
205	1 or 0	050836	Bolt M8x60-8.8 Bolt (adapter plate to motor) - HB883 112 - 180TC
205	3 or 0	190772	Bolt M10x75-8.8 (adapter plate to motor) - HB883 132, 210TC
205	1 or 0	083905	Bolt M10x100-8.8(adapter plate to motor) - HB883 132, 210TC
210	8	093840	Bolt M10x30-8.8 Bolt (adapter plate to gear unit)
215	1 or 0	053168	Dowel Pin A10x24 (3 Stage Only)
220	1 or 0	083277	Gasket 71-100, 56-140TC (Between adpt plate and input group) (1)
220	1 or 0	083278	Gasket 112 - 180TC (Between adapter plate and input group)
220	1 or 0	083279	Gasket 132, 210TC (Between adapter plate and input group)
220	1 or 0	083296	Gasket 160, 250TC (Between adapter plate and input group)
225	1	085539	Gasket for unit size 88 (Between adapter plate and gearcase)
301	1	See Chart	Shank pinion
305	1	See Chart	Gear
306	1	051574	Key B8x7x20 (to 305)
306	1	102044	Key B10x8x25 (to 305)
306	1 or 0	102044	Key B10x8x25 (to 325, intermediate stage)
310	1 or 0	278712	Retaining ring shaft A25x1.2, A24
310	1 or 0	278716	Retaining ring shaft A35x1.5, A34
315	1 or 0	07914703CY	Ball bearing (in adapter plate) - (triple reduction)
320	1 or 0	07914703J	Ball bearing (in center plate) - (triple reduction)
321	1 or 0	278701	Retaining ring J62x2.0 (triple reduction)
325	1 or 0	085706	Pinion shaft i=5.471 intermediate stage ratio
330	1 or 0	083306	Gear i=5.471 intermediate stage ratio
335	1 or 0	278716	Retaining ring shaft A35x1.5, A34
340	1 or 0	082966	Pinion shaft Output Ratio A24: 9.923
340	1 or 0	083302	Pinion shaft Output Ratio A34: 5.160
345	1 or 0	085572	Gear Output Ratio small, large
346	1	441929	Key B14x9x40 (to 345)
348	1	085515	Backing ring 81x100x3.5
401	5	083868	Pipe Plug 3/8" DIN908
401	1	083868	Pipe Plug 3/8" DIN908
405	1 or 0	086599	Oil sight glass 3/8" (OPTIONAL - NOT SHOWN)
406	1 or 0	086631	Gasket 17x22x2.1 (to 405)
420	1 or 0	186468	Breather 3/8" - Standard (Not Shown)
	1 or 0	094630	Washdown Breather Kit - Optional

(1) Also used for 180TC input until design change Feb 2005. At that time 180TC changed to use 112 adpt plate (#201) & hardware.



RENEWAL PARTS DATA

QUANTIS MSM SIZE 88 GEARING CHART

DOUBLE REDUCTION

(1) Pinion shank diameter changes by motor frame size.

TOTAL RATIO	1st STAGE	2nd STAGE		IEC 90D/140TC - 12 MM (1)		IEC 100D/180TC - 16 MM (1)		IEC 112D 18 MM (1)		IEC132D/210TC 22 MM (1)		IEC160/250TC 28 MM (1)	
				1st	2nd	1st	2nd	1st	2nd	1st	2nd	1st	2nd
8.846	1.714	5.160	PINION GEAR	-----	-----	083508	083302	083507	083302	083487	083302	083486	083302
			GEAR	-----	-----	083489	085572	083489	085572	083489	085572	083489	085572
10.789	2.091	5.160	PINION GEAR	-----	-----	083450	083302	083449	083302	083448	083302	083447	083302
			GEAR	-----	-----	083452	085572	083452	085572	083452	085572	083452	085572
12.642	2.450	5.160	PINION GEAR	-----	-----	083540	083302	083541	083302	083543	083302	083544	083302
			GEAR	-----	-----	083539	085572	083539	085572	083539	085572	083539	085572
14.861	2.880	5.160	PINION GEAR	083505	083302	083504	083302	083504	083302	083504	083302	083504	083302
			GEAR	083509	085572	083509	085572	083509	085572	083509	085572	083509	085572
17.050	3.304	5.160	PINION GEAR	083522	083302	083523	083302	083503	083302	083478	083302	083477	083302
			GEAR	083481	085572	083481	085572	083481	085572	083481	085572	083481	085572
20.124	3.900	5.160	PINION GEAR	083520	083302	083521	083302	083524	083302	083472	083302	083471	083302
			GEAR	083476	085572	083476	085572	083476	085572	083476	085572	083476	085572
21.813	4.227	5.160	PINION GEAR	083467	083302	083466	083302	083465	083302	083464	083302	083464	083302
			GEAR	083435	085572	083435	085572	083435	085572	083435	085572	083435	085572
24.252	4.700	5.160	PINION GEAR	083517	083302	083519	083302	083436	083302	083423	083302	083422	083302
			GEAR	083428	085572	083428	085572	083428	085572	083428	085572	083428	085572
26.343	5.105	5.160	PINION GEAR	083460	083302	083459	083302	083458	083302	083416	083302	083415	083302
			GEAR	083421	085572	083421	085572	083421	085572	083421	085572	083421	085572
29.139	5.647	5.160	PINION GEAR	083515	083302	083516	083302	083377	083302	083376	083302	-----	-----
			GEAR	083388	085572	083388	085572	083388	085572	083388	085572	-----	-----
30.671	3.091	9.923	PINION GEAR	083467	082966	083466	082966	083466	082966	083464	082966	083464	082966
			GEAR	083434	085572	083434	085572	083434	085572	083434	085572	083434	085572
34.234	3.450	9.923	PINION GEAR	083517	082966	083519	082966	083436	082966	083423	082966	083423	082966
			GEAR	083427	085572	083427	085572	083427	085572	083427	085572	083427	085572
37.081	3.737	9.923	PINION GEAR	083460	082966	083459	082966	083458	082966	083458	082966	083458	082966
			GEAR	083420	085572	083420	085572	083420	085572	083420	085572	083420	085572
42.027	4.235	9.923	PINION GEAR	083515	082966	083516	082966	083377	082966	083376	082966	083376	082966
			GEAR	083387	085572	083387	085572	083387	085572	083387	085572	083387	085572
45.274	4.563	9.923	PINION GEAR	083455	082966	083454	082966	083408	082966	083407	082966	083407	082966
			GEAR	083413	085572	083413	085572	083413	085572	083413	085572	083413	085572
48.953	4.933	9.923	PINION GEAR	083525	082966	083374	082966	083373	082966	083371	082966	083371	082966
			GEAR	083382	085572	083382	085572	083382	085572	083382	085572	083382	085572
53.159	5.357	9.923	PINION GEAR	083443	082966	083355	082966	083354	082966	083353	082966	083353	082966
			GEAR	083404	085572	083404	085572	083404	085572	083404	085572	083404	085572
58.775	5.923	9.923	PINION GEAR	083514	082966	083352	082966	083351	082966	083350	082966	083350	082966
			GEAR	083401	085572	083401	085572	083401	085572	083401	085572	083401	085572
63.673	6.417	9.923	PINION GEAR	083440	082966	083591	082966	083590	082966	083589	082966	083589	082966
			GEAR	083332	085572	083332	085572	083332	085572	083332	085572	083332	085572
71.751	7.231	9.923	PINION GEAR	083346	082966	083345	082966	083344	082966	083344	082966	083344	082966
			GEAR	083398	085572	083398	085572	083398	085572	083398	085572	083398	085572
78.557	7.917	9.923	PINION GEAR	083587	082966	083586	082966	083584	082966	083584	082966	083584	082966
			GEAR	083392	085572	083392	085572	083392	085572	083392	085572	083392	085572
87.503	8.818	9.923	PINION GEAR	083582	082966	083580	082966	083580	082966	083580	082966	083580	082966
			GEAR	083390	085572	083390	085572	083390	085572	083390	085572	083390	085572
100.057	10.083	9.923	PINION GEAR	083337	082966	-----	-----	-----	-----	-----	-----	-----	-----
			GEAR	083396	085572	-----	-----	-----	-----	-----	-----	-----	-----
110.957	11.182	9.923	PINION GEAR	083334	082966	-----	-----	-----	-----	-----	-----	-----	-----
			GEAR	083394	085572	-----	-----	-----	-----	-----	-----	-----	-----
123.045	12.400	9.923	PINION GEAR	083307	082966	-----	-----	-----	-----	-----	-----	-----	-----
			GEAR	083389	085572	-----	-----	-----	-----	-----	-----	-----	-----



RENEWAL PARTS DATA

QUANTIS MSM SIZE 88
GEARING CHART

TRIPLE REDUCTION

TOTAL RATIO	1st STAGE	2nd STAGE	3rd STAGE		IEC 63-71D/56C – 9 MM (1)			IEC 80D – 10 MM (1)			IEC 90D/140TC – 12 MM (1)			
					1st	2nd	3rd	1st	2nd	3rd	1st	2nd	3rd	
39.779	1.409	5.471	5.160	PINION GEAR	-----	-----	-----	-----	-----	-----	-----	-----	-----	-----
47.992	1.700	5.471	5.160	PINION GEAR	-----	-----	-----	-----	-----	-----	-----	-----	-----	-----
57.590	2.040	5.471	5.160	PINION GEAR	-----	-----	-----	883506	883302	883302	883302	883302	883302	883302
67.507	2.391	5.471	5.160	PINION GEAR	-----	-----	-----	883510	883306	883306	883306	883306	883306	883306
80.457	2.850	5.471	5.160	PINION GEAR	-----	-----	-----	883537	883306	883306	883306	883306	883306	883306
87.257	3.091	5.471	5.160	PINION GEAR	-----	-----	-----	883480	883306	883306	883306	883306	883306	883306
97.395	3.450	5.471	5.160	PINION GEAR	-----	-----	-----	883536	883306	883306	883306	883306	883306	883306
105.492	3.737	5.471	5.160	PINION GEAR	-----	-----	-----	883475	883306	883306	883306	883306	883306	883306
119.564	4.235	5.471	5.160	PINION GEAR	883469	883306	883302	883468	883306	883302	883302	883467	883302	883302
128.801	4.563	5.471	5.160	PINION GEAR	883434	883306	883302	883434	883306	883302	883302	883434	883306	883302
139.270	4.933	5.471	5.160	PINION GEAR	883533	883306	883302	883533	883306	883302	883302	883517	883302	883302
151.234	5.357	5.471	5.160	PINION GEAR	883427	883306	883302	883427	883306	883302	883302	883427	883306	883302
167.211	5.923	5.471	5.160	PINION GEAR	883463	883306	883302	883462	883306	883302	883302	883460	883306	883302
181.145	6.417	5.471	5.160	PINION GEAR	883420	883306	883302	883420	883306	883302	883302	883420	883306	883302
204.127	7.231	5.471	5.160	PINION GEAR	883531	883306	883302	883532	883306	883302	883302	883515	883306	883302
223.490	7.917	5.471	5.160	PINION GEAR	883387	883306	883302	883387	883306	883302	883302	883387	883306	883302
248.940	8.818	5.471	5.160	PINION GEAR	883457	883306	883302	883456	883306	883302	883302	883455	883306	883302
284.656	10.083	5.471	5.160	PINION GEAR	883413	883306	883302	883413	883306	883302	883302	883413	883306	883302
315.667	11.182	5.471	5.160	PINION GEAR	883529	883306	883302	883530	883306	883302	883302	883525	883306	883302
350.056	12.400	5.471	5.160	PINION GEAR	883382	883306	883302	883382	883306	883302	883302	883382	883306	883302
					883446	883306	883302	883444	883306	883302	883302	883443	883306	883302
					883404	883306	883302	883404	883306	883302	883302	883404	883306	883302
					883528	883306	883302	883513	883306	883302	883302	883514	883306	883302
					883401	883306	883302	883401	883306	883302	883302	883401	883306	883302
					883442	883306	883302	883441	883306	883302	883302	883440	883306	883302
					883332	883306	883302	883332	883306	883302	883302	883332	883306	883302
					883527	883306	883302	883512	883306	883302	883302	883512	883306	883302
					883398	883306	883302	883398	883306	883302	883302	883398	883306	883302
					883439	883306	883302	883438	883306	883302	883302	883438	883306	883302
					883392	883306	883302	883392	883306	883302	883302	883392	883306	883302
					883499	883306	883302	883483	883306	883302	883302	883482	883306	883302
					883390	883306	883302	883390	883306	883302	883302	883390	883306	883302
					883339	883306	883302	883338	883306	883302	883302	883337	883306	883302
					883396	883306	883302	883396	883306	883302	883302	883396	883306	883302
					883336	883306	883302	883335	883306	883302	883302	883334	883306	883302
					883394	883306	883302	883394	883306	883302	883302	883394	883306	883302
					883309	883306	883302	883308	883306	883302	883302	883307	883306	883302
					883389	883306	883302	883389	883306	883302	883302	883389	883306	883302

(1) Pinion shank diameter changes with motor frame size.



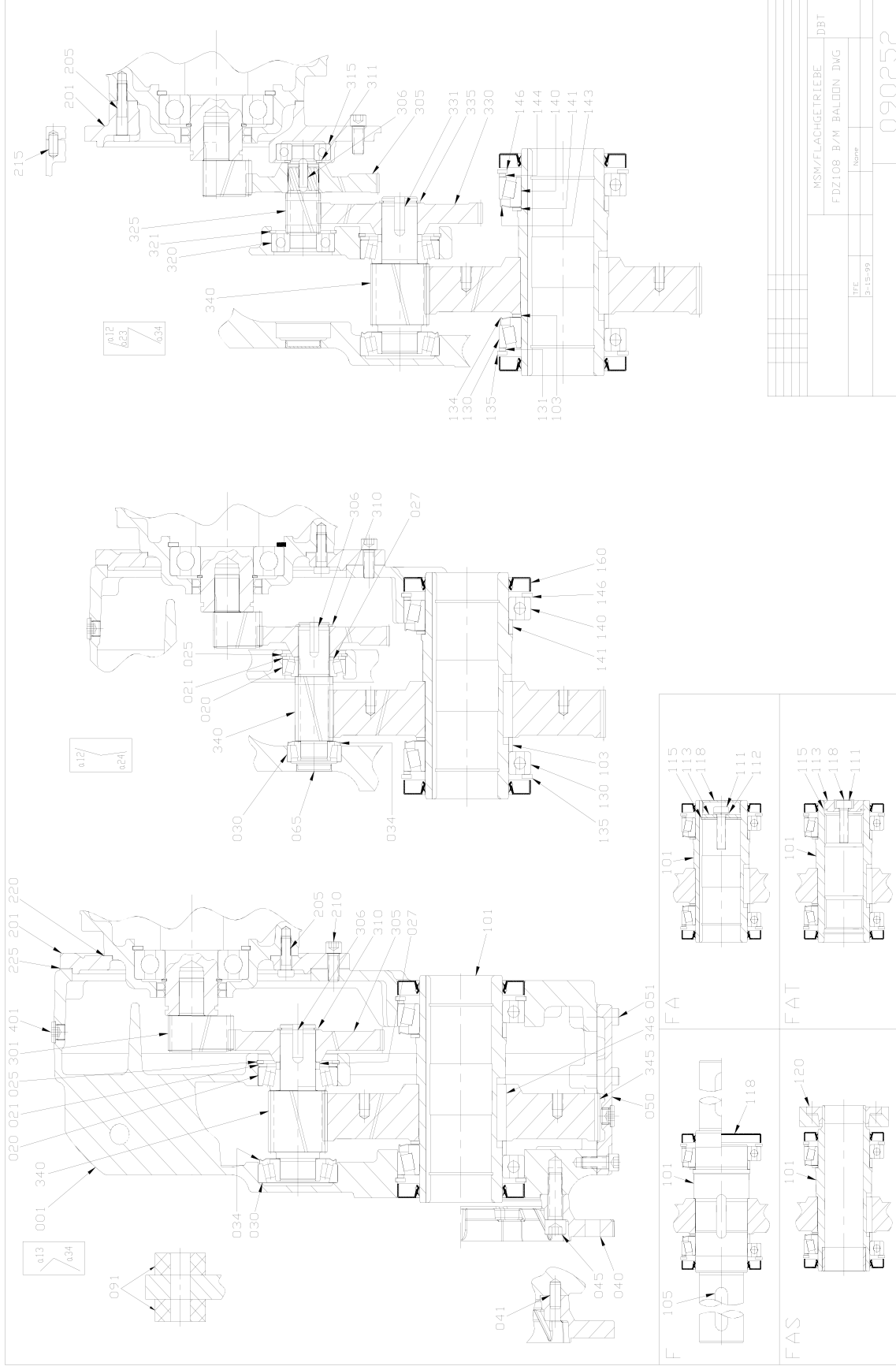
RENEWAL PARTS DATA

QUANTIS MSM SIZE 88
GEARING CHART

TRIPLE REDUCTION

TOTAL RATIO	1st STAGE	2nd STAGE	3rd STAGE	PINION GEAR	IEC100/180TC 16 MM (1)			IEC112 18 MM (1)			IEC132/210TC 22 MM (1)		
					1st	2nd	3rd	1st	2nd	3rd	1st	2nd	3rd
39.779	1.409	5.471	5.160	PINION GEAR	083450 083451	085706 083306	083302 085572	083449 083451	085706 083306	083302 085572	083448 083451	085706 083306	083302 085572
47.992	1.700	5.471	5.160	PINION GEAR	083540 083538	085706 083306	083302 085572	083541 083538	085706 083306	083302 085572	083543 083538	085706 083306	083302 085572
57.590	2.040	5.471	5.160	PINION GEAR	083504 083510	085706 083306	083302 085572	083545 083510	085706 083306	083302 085572	083502 083510	085706 083306	083302 085572
67.507	2.391	5.471	5.160	PINION GEAR	083523 083480	085706 083306	083302 085572	083503 083480	085706 083306	083302 085572	083478 083480	085706 083306	083302 085572
80.457	2.850	5.471	5.160	PINION GEAR	083521 083475	085706 083306	083302 085572	083524 083475	085706 083306	083302 085572	083472 083475	085706 083306	083302 085572
87.257	3.091	5.471	5.160	PINION GEAR	083466 083434	085706 083306	083302 085572	083473 083434	085706 083306	083302 085572	083464 083434	085706 083306	083302 085572
97.395	3.450	5.471	5.160	PINION GEAR	083519 083427	085706 083306	083302 085572	083465 083427	085706 083306	083302 085572	083423 083427	085706 083306	083302 085572
105.492	3.737	5.471	5.160	PINION GEAR	083459 083420	085706 083306	083302 085572	083436 083420	085706 083306	083302 085572	083416 083420	085706 083306	083302 085572
119.564	4.235	5.471	5.160	PINION GEAR	083516 083387	085706 083306	083302 085572	083458 083387	085706 083306	083302 085572	083376 083387	085706 083306	083302 085572
128.801	4.563	5.471	5.160	PINION GEAR	083454 083413	085706 083306	083302 085572	083377 083413	085706 083306	083302 085572	083407 083413	085706 083306	083302 085572
139.270	4.933	5.471	5.160	PINION GEAR	083374 083382	085706 083306	083302 085572	083408 083382	085706 083306	083302 085572	083371 083382	085706 083306	083302 085572
151.234	5.357	5.471	5.160	PINION GEAR	083555 083404	085706 083306	083302 085572	083373 083404	085706 083306	083302 085572	083353 083404	085706 083306	083302 085572
167.211	5.923	5.471	5.160	PINION GEAR	083352 083401	085706 083306	083302 085572	083354 083401	085706 083306	083302 085572	083350 083401	085706 083306	083302 085572
181.145	6.417	5.471	5.160	PINION GEAR	083591 083332	085706 083306	083302 085572	083351 083332	085706 083306	083302 085572	083389 083332	085706 083306	083302 085572
204.127	7.231	5.471	5.160	PINION GEAR	083345 083398	085706 083306	083302 085572	083590 083398	085706 083306	083302 085572	-----	-----	-----
223.490	7.917	5.471	5.160	PINION GEAR	083586 083392	085706 083306	083302 085572	083344 083392	085706 083306	083302 085572	-----	-----	-----
248.940	8.818	5.471	5.160	PINION GEAR	083580 083390	085706 083306	083302 085572	083584 083390	085706 083306	083302 085572	-----	-----	-----
284.656	10.083	5.471	5.160	PINION GEAR	-----	-----	-----	-----	-----	-----	-----	-----	-----
315.667	11.182	5.471	5.160	PINION GEAR	-----	-----	-----	-----	-----	-----	-----	-----	-----
350.056	12.400	5.471	5.160	PINION GEAR	-----	-----	-----	-----	-----	-----	-----	-----	-----

(1) Pinion shank diameter changes with motor frame.



Motorized Shaft Mount MSM MW108			Parts List for Helical Gear Units
Position / No.	Quantity	Part Number	Component Designation
001	1	090041	Gearcase - MW108
020	1 or 0	085473	Tapered roller bearing (pinion shaft output stage, A24)
020	1 or 0	983010	Tapered roller bearing (pinion shaft output stage, A34)
021	1 or 0	152566	Backing ring 59x72x3 (A24)
021	1 or 0	974611	Backing ring 80x90x3.5 (A34)
021	0 or 3	152568	Shim 59x72x0.1 (to A24)
021	0 or 3	085025	Shim 59x72x0,15 (to A24)
021	0 or 1	744700	Shim 80x90x0.1 (to A34)
021	0 or 3	085020	Shim 80x90x0,15 (to A34)
025	1 or 0	278702	Retaining ring bore J72x2.5 (A24)
025	1 or 0	278704	Retaining ring bore J90x3.0 (A34)
027	1	085648	Sleeve 45x36x4
027	1	085547	Sleeve 50x41x7.5
030	1 or 0	085474	Tapered roller bearing (pinion shaft output stage, A24)
030	1 or 0	983010	Tapered roller bearing (pinion shaft output stage, A34)
034	1 or 0	085532	Nilosring 30308AV (to 020)
034	1 or 0	085635	Nilosring 32206AV (to 030)
040	1 or 0	081635	Output flange A350 machined
041	2 or 0	085849	Adapter sleeve 12x28
045	6 or 0	050875	Bolt M16x50, DIN6912
050	1	090043	Cover plate - Cast Iron
051	10	050853	Bolt M12x30 DIN912 to attach cover plate
065	1	362883	Cap 40x7 for intermediate stage left
101	1 or 0	086534	Hollow shaft 60 mm diam. standard
101	1 or 0	084612	Hollow shaft 70 mm alternative
101	1 or 0	084613	Hollow shaft 70 mm diam. shrink disc
101	1 or 0	084614	Hollow shaft N70x2x30 spline shaft
101	1 or 0	087373	Hollow shaft 2.438" optional
101	1 or 0	087381	Solid output shaft 1 end 60X120 mm
101	1 or 0	087333	Solid output shaft 2 ends 60X120 mm
101	1 or 0	085557	Solid output shaft 1 end 80x170 mm
101	1 or 0	084616	Solid output shaft 2 ends 80x170 mm
101	1 or 0	084615	Hollow shaft 2.375" (60.325 mm) standard
101	1 or 0	086594	Hollow shaft 2.75" (69.85 mm) alternative
101	1 or 0	086926	Solid output shaft 1 end 2.375"x120 mm
101	1 or 0	087367	Solid output shaft 2 ends 2.375"x120 mm
101	1 or 0	085465	Solid output shaft 1 end 3.18"x170 mm
101	1 or 0	085466	Solid output shaft 2 ends 3.18"x170 mm
101	1 or 0	092484	Output shaft hollow Twin Taper Bore - TTB
103	1	138891	Backing ring 95x1153,5 (to 130)
105	2 or 1 or 0	067132	Key (shaft end) A22x14x125 for 80x170 mm shaft
105	2 or 1 or 0	086658	Key (shaft end) 3/4"x3/4"x4-1/4" for 3.18"x170 mm shaft
105	2 or 1 or 0	443296	Key (shaft end) 5/8x5/8x3-11/16" for 2.375" shaft
105	2 or 1 or 0	091537	Key output (shaft end) for 60 x 120 mm shaft
111	1 or 0	664820	Bolt M20X80 (60 & 70mm hollow shaft)
111	1 or 0	085051	Bolt M20X60 DIN6912 (splined hollow shaft)
111	1 or 0	411173	Bolt 3/4"-10x3.00", 8.8 (2.375" hollow shaft)
112	1 or 0	681407	Lock washer B20 A2F (all hollow except splined)
113	1 or 0	122065	Washer (hollow shaft 60 mm, 2.375") D21x60x10
113	1 or 0	123415	Washer (hollow shaft 70 mm, 2.75") D21x69.8x10
113	1 or 0	084752	Washer (Spline shaft) D22x72x27
115	1 or 0	051311	Retaining ring bore J60x2 (60mm & 2.375" hollow shaft)
115	1 or 0	728578	Retaining ring bore J70x2.5 (70mm hollow shaft)
115	1 or 0	278702	Retaining ring bore J72x2.5 (splined hollow bore)
118	1 or 0	086383	Plug 59.6x18 (60mm & 2.375" hollow shaft)
118	1 or 0	851370	Plug 71.0x18 (70mm hollow shaft)
118	1 or 0	052386	Plug hex head SW14 (splined hollow shaft)
118	1 or 0	085711	Plug 145x15 (single extension solid shaft)
120	1 or 0	084976	Shrink disc with cap
130	1	084857	Tapered roller bearing 32019X

Motorized Shaft Mount MSM MW108 Parts List for Helical Gear Units			
Position / No.	Quantity	Part Number	Component Designation
131	1	084854	Backing ring 130x140x3.5 (to 130)
131	4	084858	Shim 130x145x0.1 (to 130)
131	4	085018	Shim 130x145x0.15 (to 130)
134	1	084850	Nilos ring 32019XAV (to 130)
135	2	085613	Retaining ring J145x4.0 (to 130, bore)
140	1	084857	Tapered roller bearing (output shaft)
141	2	138891	Backing ring 95x115x3,5 (to 140)
143	1	084850	Nilos ring 32019XAV (to 140)
144	1	084854	Backing ring 130x140x3,5 (to 140)
146	1	085613	Retaining ring J145x4.0 (to 140, bore)
160	1 or 2	084855	Output Seal
201	1 or 0	082410	Adapter plate - HB1082 - Frames 90, 140TC
201	1 or 0	082526	Adapter plate - HB1082 - Frame 100, 56C-140TC (1)
201	1 or 0	082424	Adapter plate - HB1082 - Frames 112 - 180TC
201	1 or 0	082432	Adapter plate - HB1082 - Frames 132, 210TC
201	1 or 0	082442	Adapter plate - HB1082 - Frames 160, 250TC
201	1 or 0	082530	Adapter plate - HB1082 - Frames 180/200, 280TC
201	1 or 0	082478	Adapter plate - HB1083 - Frames 71-100, 56-140TC (1)
201	1 or 0	082486	Adapter plate - HB1083 - Frames 112 - 180TC
201	1 or 0	082494	Adapter plate - HB1083 - Frames 132, 210TC
201	1 or 0	082502	Adapter plate - HB1083 - Frames 160, 210TC
205	4 or 0	094033	Bolt M6x22, 8.8 (adpt plate to motor) - HB1082-Fr 90-100/56C-140TC (1)
205	4 or 0	093853	Bolt M8x25-8.8 (adapter plate to motor) - HB1082 112 - 180TC
205	4 or 0	129847	Bolt M10x40-8.8 (adapter plate to motor) - HB1082 132, 210TC
205	4 or 0	60245210A	Bolt M12x35-8.8 (adapter plate to motor) - HB1082 160, 250TC
205	4 or 0	093841	Bolt M16x40- 8.8 (adpt plate to motor) - HB1082 180/200, 280TC
205	4 or 0	093839	Bolt M6x25-8.8 (adpt plate to motor) - HB1083 71-100, 56-140TC (1)
205	4 or 0	050831	Bolt M8x35-8.8 (adapter plate to motor) - HB1083 112 - 180TC
205	3 or 0	133242	Bolt M10x75, 8.8 (adapter plate to motor) - HB1083 132, 210TC
205	1 or 0	141191	Bolt M10x90-8.8 (adapter plate to motor) - HB1083 132, 210TC
205	3 or 0	085490	Bolt M12x55-8.8 (adapter plate to motor) - HB1083 160, 250TC
205	1 or 0	141192	Bolt M12x80-8.8 (adapter plate to motor) - HB1083 160, 250TC
210	8	050853	Bolt M12x30-8.8 Bolt (adapter plate to gear unit)
215	1 or 0	053168	Dowel Pin A10x24 (3 Stage Only)
220	1 or 0	083277	Gasket 71-100, 56C-140TC (Between adpt plate and input group) (1)
220	1 or 0	083278	Gasket 112 - 180TC (Between adapter plate and input group)
220	1 or 0	083279	Gasket 132, 210TC (Between adapter plate and input group)
220	1 or 0	083296	Gasket 160, 250TC (Between adapter plate and input group)
220	1 or 0	081991	Gasket 180/200, 280TC (Between adapter plate and input group)
225	1	081986	Gasket for unit size 108 (Between adapter plate and gearcase)
301	1	See Chart	Shank pinion
305	1	See Chart	Gear
306	1	102044	Key B10x8x25 (to 305)
306	1	392936	Key B12x8x28 (to 305)
306	1 or 0	102044	Key B10x8x25 (to 325, intermediate stage)
310	1 or 0	278716	Retaining ring shaft A35x1.5, A24
310	1 or 0	051296	Retaining ring shaft A40x1.75, A34
311	1	093780	Shim 30x42x2.5
315	1 or 0	07914703J	Ball bearing (in adapter plate) - (triple reduction)
320	1 or 0	082590	Ball bearing (in center plate) - (triple reduction)
321	1 or 0	278702	Retaining ring J72x2.5 (triple reduction)
325	1 or 0	085707	Pinion shaft i=5.438 intermediate stage ratio
330	1 or 0	084539	Gear i=5.438 intermediate stage ratio
335	1 or 0	051296	Retaining ring shaft A40x1.75, A34
340	1 or 0	083300	Pinion shaft Output Ratio A24: 8.643
340	1 or 0	084558	Pinion shaft Output Ratio A34: 5.261
345	1 or 0	085573	Gear Output Ratio small, large
346	1	728446	Key B18x11x56 (to 345)
401	5	083868	Pipe Plug 3/8" DIN908
401	1	083868	Pipe Plug 3/8" DIN908
405	1 or 0	086599	Oil sight glass 3/8" (OPTIONAL - NOT SHOWN)
406	1 or 0	086631	Gasket 17x22x2.1 (to 405)
420	1 or 0	186468	Breather 3/8" - Standard (Not Shown)
	1 or 0	094630	Washdown Breather Kit - Optional

(1) Also used for 180TC input until design change Feb 2005. At that time 180TC changed to use 112 adpt plate (#201) & hardware.



QUANTIS MSM SIZE 108

GEARING CHART

DOUBLE REDUCTION

TOTAL RATIO	1st STAGE	2nd STAGE		IEC 90D/140TC – 12 MM (1)		IEC 100D/180TC – 16 MM (1)		IEC 112D 18 MM (1)		IEC132D/210TC 22 MM (1)		IEC160/250TC 28 MM (1)	
				1st	2nd	1st	2nd	1st	2nd	1st	2nd	1st	2nd
9.520	1.810	5.261	PINION GEAR	-----	-----	-----	-----	-----	-----	083497	084558	083495	084558
										083498	085573	083498	085573
11.076	2.105	5.261	PINION GEAR	-----	-----	-----	-----	-----	-----	083493	084558	083492	084558
										083494	085573	083494	085573
12.276	2.333	5.261	PINION GEAR	-----	-----	083508	084558	083507	084558	083487	084558	083486	084558
						081746	085573	081746	085573	081746	085573	081746	085573
14.587	2.773	5.261	PINION GEAR	-----	-----	083450	084558	083449	084558	083448	084558	083447	084558
						081722	085573	081722	085573	081722	085573	081722	085573
16.835	3.200	5.261	PINION GEAR	-----	-----	083540	084558	083541	084558	083543	084558	083544	084558
						081718	085573	081718	085573	081718	085573	081718	085573
19.781	3.760	5.261	PINION GEAR	083505	084558	083504	084558	083503	084558	083502	084558	083501	084558
				081743	085573	081743	085573	081743	085573	081743	085573	081743	085573
21.175	2.450	8.643	PINION GEAR	-----	-----	083540	083300	083541	083300	083543	083300	083544	083300
						083539	085573	083539	085573	083539	085573	083539	085573
24.892	2.880	8.643	PINION GEAR	083505	083300	083504	083300	083503	083300	083502	083300	083501	083300
				083509	085573	083509	085573	083509	085573	083509	085573	083509	085573
28.559	3.304	8.643	PINION GEAR	083522	083300	083523	083300	083524	083300	083478	083300	083477	083300
				083481	085573	083481	085573	083481	085573	083481	085573	083481	085573
33.708	3.900	8.643	PINION GEAR	083520	083300	083521	083300	083473	083300	083472	083300	083471	083300
				083476	085573	083476	085573	083476	085573	083476	085573	083476	085573
36.536	4.227	8.643	PINION GEAR	083467	083300	083466	083300	083465	083300	083464	083300	083430	083300
				083435	085573	083435	085573	083435	085573	083435	085573	083435	085573
40.622	4.700	8.643	PINION GEAR	083517	083300	083519	083300	083436	083300	083423	083300	083422	083300
				083428	085573	083428	085573	083428	085573	083428	085573	083428	085573

(1) Pinion shank diameter changes by motor frame size.



QUANTIS MSM SIZE 108

GEARING CHART

DOUBLE REDUCTION

TOTAL RATIO	1st STAGE	2nd STAGE		IEC 90D/140TC – 12 MM (1)		IEC 100D/180TC – 16 MM (1)		IEC 112D 18 MM (1)		IEC132D/210TC 22 MM (1)		IEC160/250TC 28 MM (1)	
				1st	2nd	1st	2nd	1st	2nd	1st	2nd	1st	2nd
44.125	5.105	8.643	PINION GEAR	083460	083300	083459	083300	083458	083300	083416	083300	083415	083300
				083421	085573	083421	085573	083421	085573	083421	085573	083421	085573
48.808	5.647	8.643	PINION GEAR	083515	083300	083516	083300	083377	083300	083376	083300	083375	083300
				083388	085573	083388	085573	083388	085573	083388	085573	083388	085573
52.398	6.063	8.643	PINION GEAR	083455	083300	083454	083300	083408	083300	083407	083300	083406	083300
				083414	085573	083414	085573	083414	085573	083414	085573	083414	085573
56.468	6.533	8.643	PINION GEAR	083525	083300	083374	083300	083373	083300	083371	083300	-----	-----
				083383	085573	083383	085573	083383	085573	083383	085573	-----	-----
61.118	7.071	8.643	PINION GEAR	083443	083300	083355	083300	083354	083300	083353	083300	-----	-----
				083405	085573	083405	085573	083405	085573	083405	085573	-----	-----
66.485	7.692	8.643	PINION GEAR	083514	083300	083352	083300	083351	083300	083350	083300	-----	-----
				083403	085573	083403	085573	083403	085573	083403	085573	-----	-----
72.745	8.417	8.643	PINION GEAR	083440	083300	083591	083300	083590	083300	083589	083300	-----	-----
				083333	085573	083333	085573	083333	085573	083333	085573	-----	-----
			PINION GEAR										
			PINION GEAR										
			PINION GEAR										
			PINION GEAR										
			PINION GEAR										
			PINION GEAR										
			PINION GEAR										

(1) Pinion shank diameter changes by motor frame size.



QUANTIS MSM SIZE 108

GEARING CHART

DOUBLE REDUCTION

TOTAL RATIO	1st STAGE	2nd STAGE		IEC 180/200/280TC 36 MM (1)		1st		2nd		1st		2nd	
				1st	2nd	1st	2nd	1st	2nd	1st	2nd		
9.520	1.810	5.261	PINION GEAR	081801	084558								
				083498	085573								
11.076	2.105	5.261	PINION GEAR	081797	084558								
				083494	085573								
12.276	2.333	5.261	PINION GEAR	081788	084558								
				081746	085573								
14.587	2.773	5.261	PINION GEAR	081776	084558								
				081722	085573								
16.835	3.200	5.261	PINION GEAR	081773	084558								
				081718	085573								
19.781	3.760	5.261	PINION GEAR	081783	084558								
				081743	085573								
21.175	2.450	8.643	PINION GEAR	081773	083300								
				083539	085573								
24.892	2.880	8.643	PINION GEAR	081783	083300								
				083539	085573								
28.559	3.304	8.643	PINION GEAR	081781	083300								
				083481	085573								
33.708	3.900	8.643	PINION GEAR	-----	-----								
36.536	4.227	8.643	PINION GEAR	-----	-----								
40.622	4.700	8.643	PINION GEAR	-----	-----								

(1) Pinion shank diameter changes by motor frame size.



RENEWAL PARTS DATA

QUANTIS MSM SIZE 108
GEARING CHART

TRIPLE REDUCTION

TOTAL RATIO	1st STAGE	2nd STAGE	3rd STAGE	IEC 80D – 10 MM (1)			IEC 90D/140TC – 12 MM (1)			IEC100/180TC 16 MM (1)			
				1st	2nd	3rd	1st	2nd	3rd	1st	2nd	3rd	
49.045	1.714	5.438	5.261	PINION GEAR	-----	-----	-----	-----	-----	-----	-----	-----	
59.819	2.091	5.438	5.261	PINION GEAR	-----	-----	-----	-----	-----	-----	-----	-----	
70.093	2.450	5.438	5.261	PINION GEAR	-----	-----	-----	-----	-----	-----	-----	-----	
82.395	2.880	5.438	5.261	PINION GEAR	083506	085707	084558	083505	085707	084558	083504	085707	084558
94.535	3.304	5.438	5.261	PINION GEAR	083509	084539	085573	083509	084539	085573	083509	084539	085573
111.576	3.900	5.438	5.261	PINION GEAR	083537	085707	084558	083522	085707	084558	083523	085707	084558
120.939	4.227	5.438	5.261	PINION GEAR	083481	084539	085573	083481	084539	085573	083481	084539	085573
134.464	4.700	5.438	5.261	PINION GEAR	083536	085707	084558	083520	085707	084558	083521	085707	084558
146.058	5.105	5.438	5.261	PINION GEAR	083476	084539	085573	083476	084539	085573	083476	084539	085573
161.559	5.647	5.438	5.261	PINION GEAR	083468	085707	084558	083467	085707	084558	083466	085707	084558
173.444	6.063	5.438	5.261	PINION GEAR	083435	084539	085573	083435	084539	085573	083435	084539	085573
186.914	6.533	5.438	5.261	PINION GEAR	083535	085707	084558	083517	085707	084558	083519	085707	084558
202.309	7.071	5.438	5.261	PINION GEAR	083428	084539	085573	083428	084539	085573	083428	084539	085573
220.072	7.692	5.438	5.261	PINION GEAR	083462	085707	084558	083460	085707	084558	083459	085707	084558
240.795	8.417	5.438	5.261	PINION GEAR	083421	084539	085573	083421	084539	085573	083421	084539	085573
				PINION GEAR	083532	085707	084558	083515	085707	084558	083516	085707	084558
				PINION GEAR	083388	084539	085573	083388	084539	085573	083388	084539	085573
				PINION GEAR	083456	085707	084558	083455	085707	084558	083454	085707	084558
				PINION GEAR	083414	084539	085573	083414	084539	085573	083414	084539	085573
				PINION GEAR	083530	085707	084558	083525	085707	084558	083374	085707	084558
				PINION GEAR	083383	084539	085573	083383	084539	085573	083383	084539	085573
				PINION GEAR	083444	085707	084558	083443	085707	084558	083355	085707	084558
				PINION GEAR	083405	084539	085573	083405	084539	085573	083405	084539	085573
				PINION GEAR	083513	085707	084558	083514	085707	084558	083352	085707	084558
				PINION GEAR	083403	084539	085573	083403	084539	085573	083403	084539	085573
				PINION GEAR	083441	085707	084558	083440	085707	084558	083591	085707	084558
				PINION GEAR	083333	084539	085573	083333	084539	085573	083333	084539	085573

(1) Pinion shank diameter changes with motor frame size.

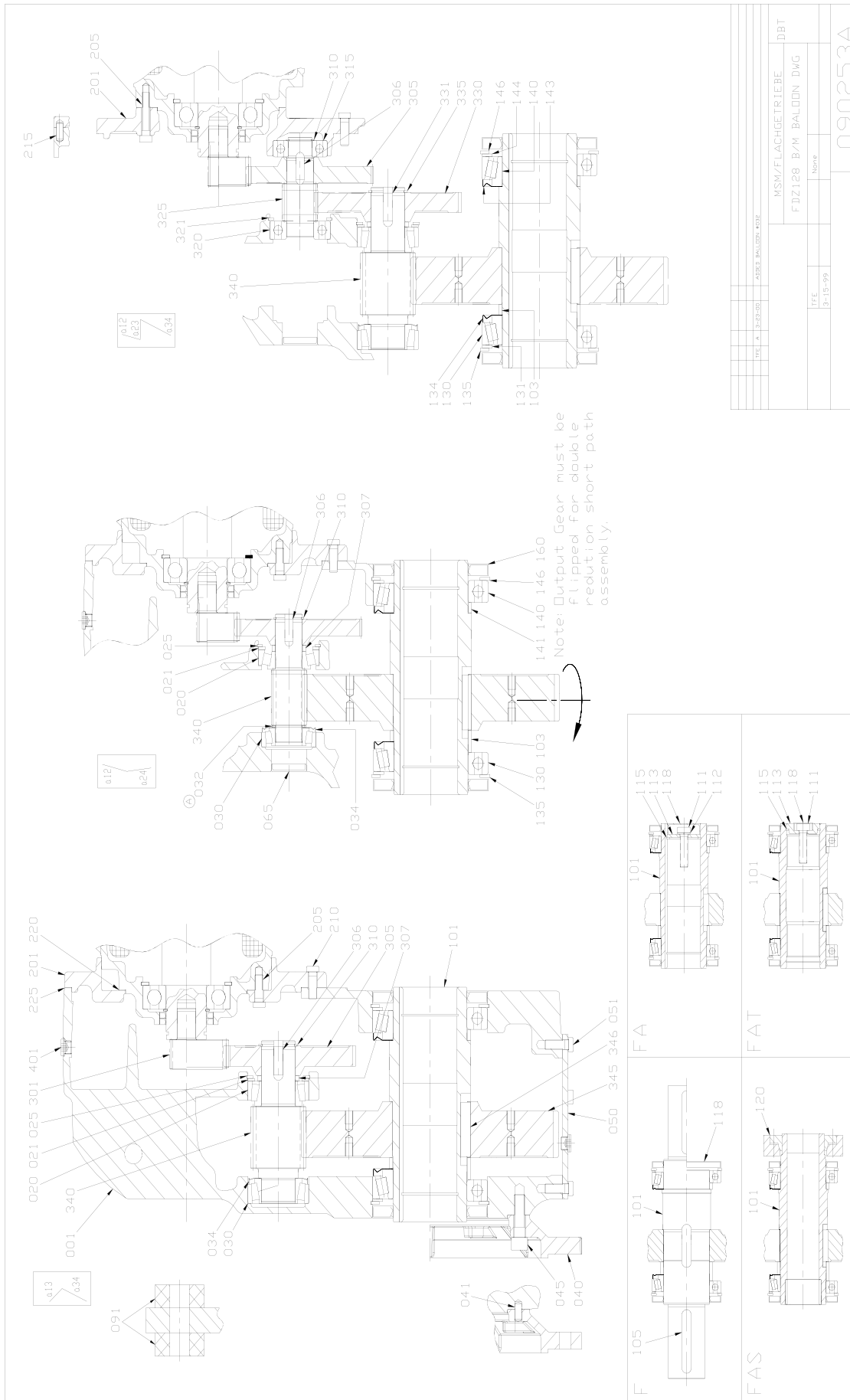


QUANTIS MSM SIZE 108
GEARING CHART

TRIPLE REDUCTION

TOTAL RATIO	1st STAGE	2nd STAGE	3rd STAGE		IEC112 18 MM (1)			IEC132/210TC 22 MM (1)			IEC 160/250TC 28 MM (1)		
					1st	2nd	3rd	1st	2nd	3rd	1st	2nd	3rd
49.045	1.714	5.438	5.261	PINION GEAR	083507	085707	084558	083487	085707	084558	083486	085707	084558
					083489	084539	085573	083489	084539	085573	083489	084539	085573
59.819	2.091	5.438	5.261	PINION GEAR	083449	085707	084558	083448	085707	084558	083447	085707	084558
					083452	084539	085573	083452	084539	085573	083452	084539	085573
70.093	2.450	5.438	5.261	PINION GEAR	083541	085707	084558	083543	085707	084558	083544	085707	084558
					083539	084539	085573	083539	084539	085573	083539	084539	085573
82.395	2.880	5.438	5.261	PINION GEAR	083503	085707	084558	083502	085707	084558	083501	085707	084558
					083509	084539	085573	083509	084539	085573	083509	084539	085573
94.535	3.304	5.438	5.261	PINION GEAR	083524	085707	084558	083478	085707	084558	083477	085707	084558
					083481	084539	085573	083481	084539	085573	083481	084539	085573
111.576	3.900	5.438	5.261	PINION GEAR	083473	085707	084558	083472	085707	084558	083471	085707	084558
					083476	084539	085573	083476	084539	085573	083476	084539	085573
120.939	4.227	5.438	5.261	PINION GEAR	083465	085707	084558	083464	085707	084558	083430	085707	084558
					083435	084539	085573	083435	084539	085573	083435	084539	085573
134.464	4.700	5.438	5.261	PINION GEAR	083436	085707	084558	083423	085707	084558	083422	085707	084558
					083428	084539	085573	083428	084539	085573	083428	084539	085573
146.058	5.105	5.438	5.261	PINION GEAR	083458	085707	084558	083416	085707	084558	083415	085707	084558
					083421	084539	085573	083421	084539	085573	083421	084539	085573
161.559	5.647	5.438	5.261	PINION GEAR	083377	085707	084558	083376	085707	084558	083375	085707	084558
					083388	084539	085573	083388	084539	085573	083388	084539	085573
173.444	6.063	5.438	5.261	PINION GEAR	083408	085707	084558	083407	085707	084558	083406	085707	084558
					083414	084539	085573	083414	084539	085573	083414	084539	085573
186.914	6.533	5.438	5.261	PINION GEAR	083373	085707	084558	083371	085707	084558	-----	-----	-----
					083383	084539	085573	083383	084539	085573	-----	-----	-----
202.309	7.071	5.438	5.261	PINION GEAR	083354	085707	084558	083353	085707	084558	-----	-----	-----
					083405	084539	085573	083405	084539	085573	-----	-----	-----
220.072	7.692	5.438	5.261	PINION GEAR	083351	085707	084558	083350	085707	084558	-----	-----	-----
					083403	084539	085573	083403	084539	085573	-----	-----	-----
240.795	8.417	5.438	5.261	PINION GEAR	083590	085707	084558	083589	085707	084558	-----	-----	-----
					083333	084539	085573	083333	084539	085573	-----	-----	-----

(1) Pinion shank diameter changes with motor frame size.



Motorized Shaft Mount MSM MW128			Parts List for Helical Gear Units
Position / No.	Quantity	Part Number	Component Designation
001	1	090045	Gearcase - MW128
020	1 or 0	983010	Tapered roller bearing (pinion shaft output stage, A24)
020	1 or 0	085611	Tapered roller bearing (pinion shaft output stage, A34)
021	1	974611	Backing ring 80x90x3.5 (A24 and A34)
021	1	744700	Shim 80x90x0.1 (to A24 and A34)
021	3	085020	Shim 80x90x0.15 (to A24 and A34)
025	1 or 0	278704	Retaining ring bore J90x3.0 (A24 and A34)
030	1 or 0	985101	Tapered roller bearing (pinion shaft output stage, A24)
030	1 or 0	085611	Tapered roller bearing (pinion shaft output stage, A34)
034	1 or 0	085534	Nilosring 33210AV (to 020)
034	1 or 0	985099	Nilosring 32208AV (to 030)
040	1 or 0	081644	Output flange A450 machined
041	2 or 0	085849	Adapter sleeve 12x28
045	6 or 0	050875	Bolt M16x50, DIN6912, 8.8, A2F
050	1	090260	Cover plate - steel
051	10	174820	Bolt M12x30 DIN912 to attach cover plate
065	1	439126	Cap 52x10 for intermediate stage left
101	1 or 0	086535	Hollow shaft 70 mm diam. standard
101	1 or 0	084617	Hollow shaft 80 mm alternative
101	1 or 0	084618	Hollow shaft 80 mm dia shrink disc
101	1 or 0	084619	Hollow shaft N80x3x30 spline shaft
101	1 or 0	092485	Hollow output shaft Twin Taper Bore (TTB)
101	1 or 0	087382	Solid output shaft one end 70 x 140 mm
101	1 or 0	087338	Solid output shaft 2 ends 70 x 140 mm
101	1 or 0	085558	Solid output shaft 1 end 90x170 mm
101	1 or 0	084622	Solid output shaft 2 ends 90x170 mm
101	1 or 0	084621	Hollow shaft 2.750" (69.85 mm) standard
101	1 or 0	087374	Hollow shaft 2.938"
101	1 or 0	086595	Hollow shaft 3.250" (82.55 mm) alternative
101	1 or 0	086927	Solid output shaft 1 end 2.875"x140 mm
101	1 or 0	085467	Solid output shaft 1 end 3.625"x170 mm
101	1 or 0	087368	Solid output shaft 2 ends 2.875"x140 mm
101	1 or 0	085468	Solid output shaft 2 ends 3.625"x170 mm
103	1	084831	Sleeve 120x111x14 (to 140)
105	2 or 1 or 0	035376	Key (shaft end) A25x14x140 for 90x170 mm shaft
105	2 or 1 or 0	443143	Key (shaft end) 3/4x3/4x4 for 2.875"x140mm Shaft
105	2 or 1 or 0	086659	Key (shaft end) 3/4"x3/4"x5-1/2" for 3.625"x170 mm shaft
105	2 or 1 or 0	091539	Key (shaft end) for 70 x 140 mm shaft
111	1 or 0	664820	Bolt M20X80 (70mm hollow shaft)
111	1 or 0	085525	Bolt M20X85 (80mm hollow shaft)
111	1 or 0	085051	Bolt M20x60 (splined hollow shaft)
111	1 or 0	411173	Bolt 3/4"-10x3,00" (2.750" & 2.938" hollow shaft)
112	1 or 0	681407	Lock washer B20 A2F (all hollow shaft)
113	1 or 0	123415	Washer (hollow shaft 70 mm, 2.750") D21x69.8x10
113	1 or 0	086566	Washer (hollow shaft 2.938") D21x69.8x10
113	1 or 0	123417	Washer (hollow shaft 80 mm) D21x80x15
113	1 or 0	084753	Washer (Spline shaft) D22x90x30
113	1 or 0	086633	Washer (3.250") D21x82x15
115	1 or 0	728578	Retaining ring bore J70x2.5 (70mm & 2.750" hollow shaft)
115	1 or 0	504408	Retaining ring (2.938" hollow shaft)
115	1 or 0	278715	Retaining ring bore J80x2.5 (80mm hollow shaft)
115	1 or 0	278704	Retaining ring bore J90x3.0 (splined hollow shaft)
115	1 or 0	155766	Retaining ring bore J82x2.5 (3.25" hollow shaft)
118	1 or 0	851370	Plug 71.0x18 (70mm & 2.75" hollow shaft)
118	1 or 0	087310	Plug 75.0x14 (2.938" hollow shaft)
118	1 or 0	086386	Plug 80.7x17.4 (80mm hollow shaft)
118	1 or 0	052386	Plug 36.5x15 (splined hollow shaft)
118	1 or 0	975504	Plug 170x15 (solid output shaft single extension)
120	1 or 0	084977	Shrink disc with cap
130	1	085066	Tapered roller bearing 32022X (output shaft)
131	1	085041	Backing ring 152x170x3,5 (to 130)
131	4	085029	Shim 152x170x0.1 (to 130)
131	4	085028	Shim 152x170x0.15 (to 130)
134	1	139331	Nilos ring 32022XAV (to 130)
135	1	699381	Retaining ring J170x4.0 (to 130, bore)
140	1	085066	Tapered roller bearing 32022X (output shaft)

Motorized Shaft Mount MSM MW128 Parts List for Helical Gear Units			
Position / No.	Quantity	Part Number	Component Designation
141	1	084831	Sleeve 120x111x14 (to 140)
143	1	139331	Nilos ring 32022XAV (to 140)
144	1	085041	Backing ring 152x170x3,5 (to 140)
146	1	699381	Retaining ring J170x4.0 (to 140, bore)
160	1 or 2	085058	Output Seal 110x170x15
201	1 or 0	082416	Adapter plate - HB1282 - Frame 100 - 140TC (1)
201	1 or 0	082426	Adapter plate - HB1282 - Frames 112 - 180TC
201	1 or 0	082434	Adapter plate - HB1282 - Frames 132, 210TC
201	1 or 0	082444	Adapter plate - HB1282 - Frames 160, 250TC
201	1 or 0	082452	Adapter plate - HB1282 - Frames 180/200, 280TC
201	1 or 0	082586	Adapter plate - HB1282 - Frames 225, 320TC
201	1 or 0	082480	Adapter plate - HB1283 - Frames 71-100, 56-180TC
201	1 or 0	082488	Adapter plate - HB1283 - Frames 112
201	1 or 0	082496	Adapter plate - HB1283 - Frames 132, 210TC
201	1 or 0	082602	Adapter plate - HB1283 - Frames 160, 250TC
201	1 or 0	082510	Adapter plate - HB1283 - Frames 180/200, 280TC
205	4 or 0	093839	Bolt M6x25-8.8 (adapter plate to motor) - HB1282-3 100 - 140TC (1)
205	4 or 0	134941	Bolt M8x25-8.8 Bolt (adpt plate to motor) - HB1282 112 - 180TC
205	4 or 0	050843	Bolt M10x30-8.8 (adpt plate to motor) - HB1282 132, 210TC
205	4 or 0	60245210A	Bolt M12x35-8.8 (adpt plate to motor) - HB1282 160, 250TC
205	4 or 0	093841	Bolt M16x40-8.8 (adpt plt to motor) - HB1282 180/200, 280TC
205	4 or 0	021746	Bolt M16x55-8.8 (adpt plate to motor) - HB1282 225, 320TC
205	4 or 0	050831	Bolt M8x35-8.8 (adapter plate to motor) - HB1283 112
205	3 or 0	093790	Bolt M10x60-8.8 (adpt plate to motor) - HB1283 132, 210TC
205	1 or 0	141191	Bolt M10x90-8.8 (adpt plate to motor) - HB1283 132, 210TC
205	3 or 0	085490	Bolt M12x55-8.8 (adpt plate to motor) - HB1283 160, 250TC
205	1 or 0	141192	Bolt M12x80-8.8 (adpt plate to motor) - HB1283 160, 250TC
205	3 or 0	141195	Bolt M16x70-8.8 (adpt plt to motor) - HB1283 180/200, 280TC
205	1 or 0	141196	Bolt M16x95-8.8 (adpt plt to motor) - HB1283 180/200, 280TC
210	8	60245210A	Bolt M12x35-8.8 Bolt (adapter plate to gear unit)
215	1 or 0	053168	Dowel Pin A10x24 (3 Stage Only)
220	1 or 0	083277	Gasket 71-100, 56-140TC (Between adpt plate and input group) (1)
220	1 or 0	083278	Gasket 112 - 180TC (Between adapter plate and input group)
220	1 or 0	083279	Gasket 132, 210TC (Between adpt plate and input group)
220	1 or 0	083296	Gasket 160, 250TC (Between adpt plate and input group)
220	1 or 0	081991	Gasket 180/200, 280TC (Between adpt plate and input group)
220	1 or 0	081992	Gasket 225, 320TC (Between adpt plate and input group)
225	1	081987	Gasket for unit size 128 (Between adapter plate and gearcase)
301	1	See Chart	Shank pinion
305	1	See Chart	Gear
306	1	392936	Key B12x8x28 (to 305)
306	1	441910	Key B14x9x36 (to 305)
306	1 or 0	392936	Key B12x8x28 (to 325, intermediate stage) (triple)
307	1	085649	Sleeve 60x51x7
307	1	085547	Sleeve 50x41x7.5
310	1 or 0	051296	Retaining ring shaft A40x1.75, A34
310	1 or 0	051304	Retaining ring shaft A50x2.0, A34
310	1 or 0	278716	Retaining ring shaft A35x1,5 DIN471 (triple reduction)
315	1 or 0	07914703DA	Ball bearing (in adapter plate) - 6307-Z (triple reduction)
320	1 or 0	07914703V	Ball bearing (in center plate) - 6308 (triple reduction)
321	1 or 0	278704	Retaining ring J90x3.0 (triple reduction)
325	1 or 0	085708	Pinion shaft i=4.765 intermediate stage ratio
330	1 or 0	084541	Gear i=4.765 intermediate stage ratio
335	1 or 0	051304	Retaining ring shaft A50x2.0, A34
340	1 or 0	084520	Pinion shaft Output Ratio A24: 8.643
340	1 or 0	084560	Pinion shaft Output Ratio A34: 5.042
345	1 or 0	085574	Gear Output Ratio small, large
346	1	085528	Key B22x14x70 (to 345)
401	5	083868	Pipe Plug 3/8" DIN908
401	1	083868	Pipe Plug 3/8" DIN908
405	1 or 0	086599	Oil sight glass 3/8" (OPTIONAL - NOT SHOWN)
406	1 or 0	086631	Gasket 17x22x2.1 (to 405)
420	1 or 0	186468	Breather 3/8" - Standard (Not Shown)
	1 or 0	094630	Washdown Breather Kit - Optional

(1) Also used for 180TC input until design change Feb 2005. At that time 180TC changed to use 112 adpt plate (#201) & hardware.



RENEWAL PARTS DATA

QUANTIS MSM SIZE 128
GEARING CHART

DOUBLE REDUCTION

TOTAL RATIO	1st STAGE	2nd STAGE	IEC 100D/180TC – 16 MM (1)		IEC 112D 18 MM (1)		IEC132D/210TC 22 MM (1)		IEC160/250TC 28 MM (1)		IEC 180/200/280TC 36 MM (1)		IEC 225/320TC 39 MM (1)		
			1st	2nd	1st	2nd	1st	2nd	1st	2nd	1st	2nd	1st	2nd	
6.857	1.360	5.042	-----	-----	-----	-----	-----	-----	083551	084560	081806	084560	081805	084560	
									081759	085574	081759	085574	081759	085574	
9.124	1.810	5.042	-----	-----	-----	-----	-----	-----	083490	084560	081792	084560	081791	084560	
									083491	085574	083491	085574	083491	085574	
10.564	2.095	5.042	-----	-----	-----	-----	-----	083497	084560	083495	084560	081801	084560	081800	084560
									081756	085574	081756	085574	081756	085574	
12.472	2.474	5.042	-----	-----	-----	-----	-----	083493	084560	083492	084560	081797	084560	081796	084560
									081753	085574	081753	085574	081753	085574	
13.926	2.762	5.042	083508	084560	083507	084560	083487	084560	083486	084560	081788	084560	081786	084560	
			081747	085574	081747	085574	081747	085574	081747	085574	081747	085574	081747	085574	
16.272	3.227	5.042	083450	084560	083448	084560	083448	084560	083447	084560	081776	084560	081775	084560	
			081723	085574	081723	085574	081723	085574	081723	085574	081723	085574	081723	085574	
18.655	3.700	5.042	083540	084560	083541	084560	083543	084560	083544	084560	081773	084560	081772	084560	
			081719	085574	081719	085574	081719	085574	081719	085574	081719	085574	081719	085574	
21.569	4.278	5.042	-----	-----	083545	084560	083546	084560	083547	084560	081770	084560	081769	084560	
					081715	085574	081715	085574	081715	085574	081715	085574	081715	085574	
22.386	4.440	5.042	083504	084560	083503	084560	083502	084560	083501	084560	081783	084560	081782	084560	
			081745	085574	081745	085574	081745	085574	081745	085574	081745	085574	081745	085574	
24.772	4.913	5.042	083523	084560	083524	084560	083478	084560	083477	084560	081781	084560	081960	084560	
			081741	085574	081741	085574	081741	085574	081741	085574	081741	085574	081741	085574	
27.658	3.200	8.643	083540	084520	083541	084520	083543	084520	083544	084520	081773	084520	-----	-----	
			081718	085574	081718	085574	081718	085574	081718	085574	081718	085574	-----	-----	
32.498	3.760	8.643	083504	084520	083503	084520	083502	084520	083501	084520	081783	084520	-----	-----	
			081743	085574	081743	085574	081743	085574	081743	085574	081743	085574	-----	-----	
36.827	4.261	8.643	083523	084520	083524	084520	083478	084520	083477	084520	081781	084520	-----	-----	
			081740	085574	081740	085574	081740	085574	081740	085574	081740	085574	-----	-----	
43.215	5.000	8.643	083521	084520	083473	084520	083472	084520	083471	084520	081956	084520	-----	-----	
			081737	085574	081737	085574	081737	085574	081737	085574	081737	085574	-----	-----	
47.144	5.455	8.643	083466	084520	083465	084520	083464	084520	083430	084520	081780	084520	-----	-----	
			081733	085574	081733	085574	081733	085574	081733	085574	081733	085574	-----	-----	
51.426	5.950	8.643	083519	084520	083436	084520	083423	084520	083422	084520	081764	084520	-----	-----	
			081711	085574	081711	085574	081711	085574	081711	085574	081711	085574	-----	-----	
55.497	6.421	8.643	083459	084520	083458	084520	083416	084520	083415	084520	081777	084520	-----	-----	
			081730	085574	081730	085574	081730	085574	081730	085574	081730	085574	-----	-----	
62.026	7.176	8.643	083516	084520	083377	084520	083376	084520	083375	084520	-----	-----	-----	-----	
			081707	085574	081707	085574	081707	085574	081707	085574	-----	-----	-----	-----	
66.443	7.688	8.643	083454	084520	083408	084520	083407	084520	083406	084520	-----	-----	-----	-----	
			081726	085574	081726	085574	081726	085574	081726	085574	-----	-----	-----	-----	
71.449	8.267	8.643	083374	084520	083373	084520	083371	084520	-----	-----	-----	-----	-----	-----	
			081704	085574	081704	085574	081704	085574	-----	-----	-----	-----	-----	-----	
77.170	8.929	8.643	083355	084520	083354	084520	083353	084520	-----	-----	-----	-----	-----	-----	
			081700	085574	081700	085574	081700	085574	-----	-----	-----	-----	-----	-----	

(1) Pinion shank diameter changes by motor frame size.



RENEWAL PARTS DATA

QUANTIS MSM SIZE 128
GEARING CHART

TRIPLE REDUCTION

TOTAL RATIO	1st STAGE	2nd STAGE	3rd STAGE		IEC 90D/140TC – 12 MM (1)			IEC100/180TC 16 MM (1)			IEC112 18 MM (1)			
					1st	2nd	3rd	1st	2nd	3rd	1st	2nd	3rd	
43.474	1.810	4.765	5.042	PINION GEAR	----	----	----	----	----	----	----	----	----	----
50.579	2.105	4.765	5.042	PINION GEAR	----	----	----	----	----	----	----	----	----	----
56.059	2.333	4.765	5.042	PINION GEAR	----	----	----	883508 881746	885708 884541	884560 885574	883507 881746	885708 884541	884560 885574	
66.615	2.773	4.765	5.042	PINION GEAR	----	----	----	883450 881722	885708 884541	884560 885574	883449 881722	885708 884541	884560 885574	
76.880	3.200	4.765	5.042	PINION GEAR	----	----	----	883540 881718	885708 884541	884560 885574	883541 881718	885708 884541	884560 885574	
90.334	3.760	4.765	5.042	PINION GEAR	883505 881743	885708 884541	884560 885574	883504 881743	885708 884541	884560 885574	883503 881743	885708 884541	884560 885574	
102.368	4.261	4.765	5.042	PINION GEAR	883522 881740	885708 884541	884560 885574	883523 881740	885708 884541	884560 885574	883524 881740	885708 884541	884560 885574	
120.126	5.000	4.765	5.042	PINION GEAR	883520 881737	885708 884541	884560 885574	883521 881737	885708 884541	884560 885574	883473 881737	885708 884541	884560 885574	
131.046	5.455	4.765	5.042	PINION GEAR	883467 881733	885708 884541	884560 885574	883466 881733	885708 884541	884560 885574	883465 881733	885708 884541	884560 885574	
142.950	5.950	4.765	5.042	PINION GEAR	883517 881711	885708 884541	884560 885574	883519 881711	885708 884541	884560 885574	883436 881711	885708 884541	884560 885574	
154.267	6.421	4.765	5.042	PINION GEAR	883460 881730	885708 884541	884560 885574	883459 881730	885708 884541	884560 885574	883458 881730	885708 884541	884560 885574	
172.416	7.176	4.765	5.042	PINION GEAR	883515 881707	885708 884541	884560 885574	883516 881707	885708 884541	884560 885574	883377 881707	885708 884541	884560 885574	
184.693	7.688	4.765	5.042	PINION GEAR	883455 881726	885708 884541	884560 885574	883454 881726	885708 884541	884560 885574	883408 881726	885708 884541	884560 885574	
198.608	8.267	4.765	5.042	PINION GEAR	883525 881704	885708 884541	884560 885574	883374 881704	885708 884541	884560 885574	883373 881704	885708 884541	884560 885574	
214.510	8.929	4.765	5.042	PINION GEAR	883443 881700	885708 884541	884560 885574	883355 881700	885708 884541	884560 885574	883354 881700	885708 884541	884560 885574	



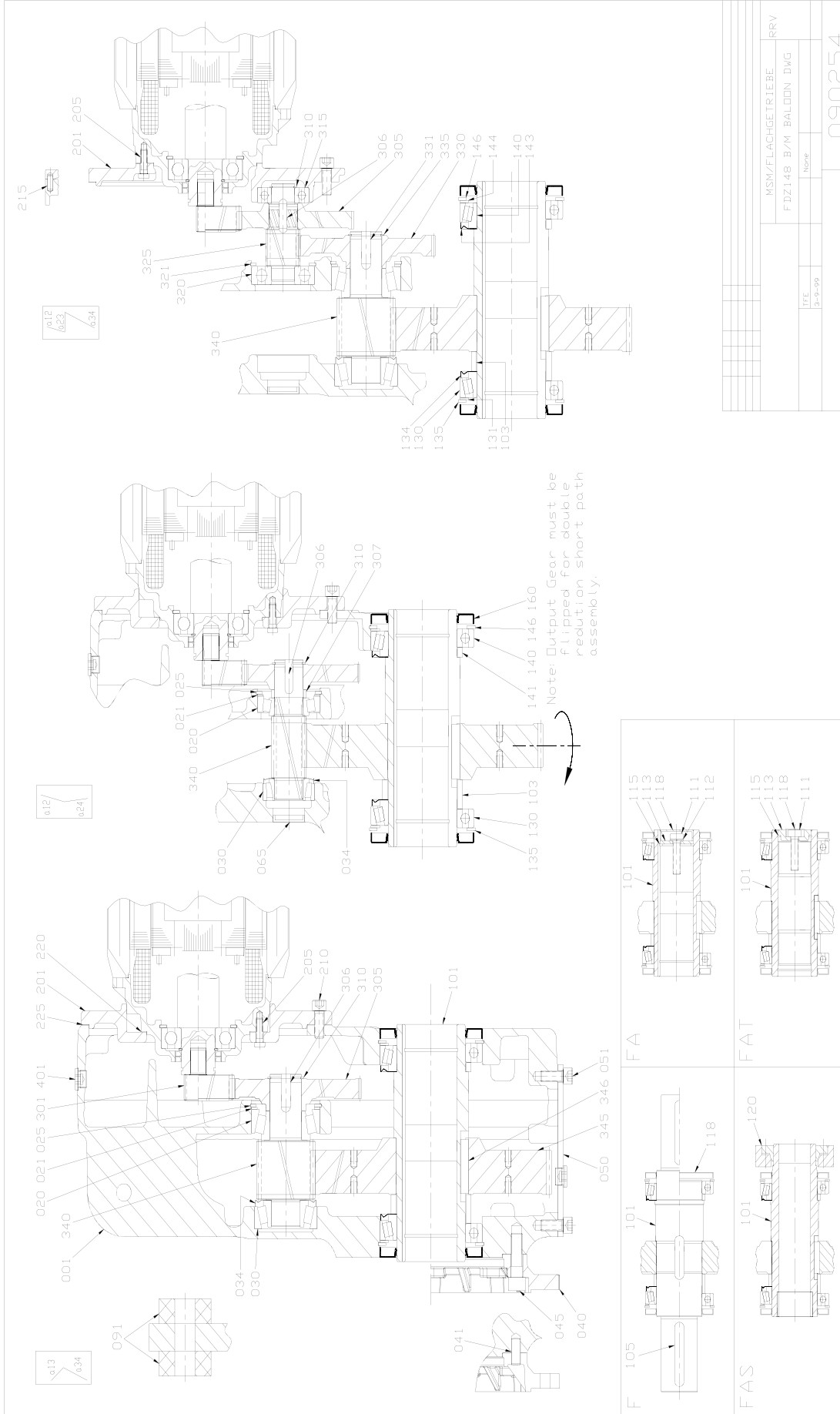
RENEWAL PARTS DATA

QUANTIS MSM SIZE 128
GEARING CHART

TRIPLE REDUCTION

TOTAL RATIO	1st STAGE	2nd STAGE	3rd STAGE	IEC132/210TC 22 MM (1)			IEC 160/250TC 28 MM (1)			IEC 180/200/280TC 36 MM (1)			
				1st	2nd	3rd	1st	2nd	3rd	1st	2nd	3rd	
43.474	1.810	4.765	5.042	PINION GEAR	083497 083498	085708 084541	084560 085574	083495 083498	085708 084541	084560 085574	081801 083498	085708 084541	084560 085574
50.579	2.105	4.765	5.042	PINION GEAR	083493 083494	085708 084541	084560 085574	083492 083494	085708 084541	084560 085574	081797 083494	085708 084541	084560 085574
56.059	2.333	4.765	5.042	PINION GEAR	083487 081746	085708 084541	084560 085574	083486 081746	085708 084541	084560 085574	081788 081746	085708 084541	084560 085574
66.615	2.773	4.765	5.042	PINION GEAR	083448 081722	085708 084541	084560 085574	083447 081722	085708 084541	084560 085574	081776 081722	085708 084541	084560 085574
76.880	3.200	4.765	5.042	PINION GEAR	083543 081718	085708 084541	084560 085574	083544 081718	085708 084541	084560 085574	081773 081718	085708 084541	084560 085574
90.334	3.760	4.765	5.042	PINION GEAR	083502 081743	085708 084541	084560 085574	083501 081743	085708 084541	084560 085574	081783 081743	085708 084541	084560 085574
102.368	4.261	4.765	5.042	PINION GEAR	083478 081740	085708 084541	084560 085574	083477 081740	085708 084541	084560 085574	081781 081740	085708 084541	084560 085574
120.126	5.000	4.765	5.042	PINION GEAR	083472 081737	085708 084541	084560 085574	083471 081737	085708 084541	084560 085574	081956 081737	085708 084541	084560 085574
131.046	5.455	4.765	5.042	PINION GEAR	083464 081733	085708 084541	084560 085574	083430 081733	085708 084541	084560 085574	081780 081733	085708 084541	084560 085574
142.950	5.950	4.765	5.042	PINION GEAR	083423 081711	085708 084541	084560 085574	083422 081711	085708 084541	084560 085574	081764 081711	085708 084541	084560 085574
154.267	6.421	4.765	5.042	PINION GEAR	083416 081730	085708 084541	084560 085574	083415 081730	085708 084541	084560 085574	081777 081730	085708 084541	084560 085574
172.416	7.176	4.765	5.042	PINION GEAR	083376 081707	085708 084541	084560 085574	083375 081707	085708 084541	084560 085574	-----	-----	-----
184.693	7.688	4.765	5.042	PINION GEAR	083407 081726	085708 084541	084560 085574	083406 081726	085708 084541	084560 085574	-----	-----	-----
198.608	8.267	4.765	5.042	PINION GEAR	083371 081704	085708 084541	084560 085574	-----	-----	-----	-----	-----	-----
214.510	8.929	4.765	5.042	PINION GEAR	083353 081700	085708 084541	084560 085574	-----	-----	-----	-----	-----	-----

(1) Pinion shank diameter changes by motor frame size.



MSW/FLACHGETRIEBE		RRV
FDZ148 B/M BALDORN DWG		
ITC	3-9-99	None
		090254

Motorized Shaft Mount MSM MW148			Parts List for Helical Gear Units
Position / No.	Quantity	Part Number	Component Designation
001	1	090049	Gearcase - MW148
020	1 or 0	728080	Tapered roller bearing (pinion shaft output stage, A24)
020	1 or 0	085701	Tapered roller bearing (pinion shaft output stage, A34)
021	1 or 0	152570	Backing ring 96x110x3.5 (A24)
021	1 or 0	699500	Backing ring 100x120x3.5 (A34)
021	0 or 3	152573	Shim 96x110x0.1 (to A24)
021	0 or 3	152572	Shim 96x110x0.15 (to A24)
021	0 or 3	154638	Shim 102x120x0.1 (to A34)
021	0 or 3	154637	Shim 102x120x0.15 (to A34)
025	1 or 0	051334	Retaining ring bore J110x4.0 (A24)
025	1 or 0	051335	Retaining ring bore J120x4.0 (A34)
030	1 or 0	085611	Tapered roller bearing (pinion shaft output stage, A24)
030	1 or 0	085679	Tapered roller bearing (pinion shaft output stage, A34)
034	1 or 0	085534	Nilosring 33210AV (to 020) (A24)
034	1 or 0	085536	Nilosring 32310AV (to 030) (A34)
040	1 or 0	081653	Output flange A450 machined
041	2 or 0	085848	Adapter sleeve 16x40
045	6 or 0	085051	Bolt M20x60, DIN912
050	1	090261	Cover plate - steel
051	10	085049	Bolt M16x30 DIN6912, 8.8, A2F to attach cover plate
070	1	657573	Cap 55x10 for intermediate stage left
101	1 or 0	086536	Hollow shaft 80 mm diam. standard
101	1 or 0	084623	Hollow shaft 90 mm alternative
101	1 or 0	084624	Hollow shaft 95 mm diam. shrink disc
101	1 or 0	084625	Hollow shaft N90x3x30 spline shaft
101	1 or 0	087375	Hollow shaft 3.4375"
101	1 or 0	084626	Hollow shaft 3.625" (92.075mm) standard
101	1 or 0	092486	Hollow output shaft Twin Taper Bore (TTB)
101	1 or 0	087383	Solid output shaft 1 end 90 x 170 mm
101	1 or 0	087339	Solid output shaft 2 ends 90 x 170 mm
101	1 or 0	085559	Solid output shaft 1 end 100x210 mm
101	1 or 0	084627	Solid output shaft 2 ends 100x210 mm
101	1 or 0	086928	Solid output shaft 1 end 3.625" x 170 mm - Standard
101	1 or 0	087369	Solid output shaft 2 ends 3.625" x 170 mm - Std Dble
101	1 or 0	085469	Solid output shaft 1 end 4.000"x210 mm
101	1 or 0	085470	Solid output shaft 2 ends 4.000"x210 mm
103	1	084829	Sleeve 140x122x29 (to 130)
105	2 or 1 or 0	681318	Key (shaft end) A28x16x160 for 100x210 mm shaft
105	2 or 1 or 0	086661	Key (shaft end) 1"x1"x7" for 4.000"x210 mm shaft
105	2 or 1 or 0	035376	Key (shaft end) for 90 x 170 mm shaft
105	2 or 1 or 0	443597	Key (shaft end) for 3.625" x 170 mm shaft
111	1 or 0	085525	Bolt M20X85 (80mm hollow shaft)
111	1 or 0	085526	Bolt M24X95 (90mm hollow shaft)
111	1 or 0	085051	Bolt M20x60 (splined hollow shaft)
111	1 or 0	085732	Bolt 1"-8x3,00" (3.625" hollow shaft)
112	1 or 0	681407	Lock washer B20 A2F (80mm hollow shaft)
112	1 or 0	051222	Lock washer B24 A2F (90mm hollow shaft)
112	1 or 0	085733	Lock washer B27 A2F (3.625" hollow shaft)
113	1 or 0	123417	Washer (hollow shaft 80 mm) D21x80x15
113	1 or 0	123419	Washer (hollow shaft 90 mm) D25x90x15
113	1 or 0	084754	Washer (Spline shaft) D11x35x18
113	1 or 0	085729	Washer (3.625") D21x92x15
115	1 or 0	278715	Retaining ring bore J80x2.5 (80mm hollow)
115	1 or 0	278704	Retaining ring bore J90x3.0 (90mm & splined hollow)
115	1 or 0	085731	Retaining ring bore J92x3.0 (3.625" hollow)
118	1 or 0	086386	Plug 80.7x17.4 (80mm hollow)
118	1 or 0	086395	Plug 93.0x9.5 (3.625" hollow shaft)
118	1 or 0	052386	Plug 36.5x15 (splined hollow)
118	1 or 0	085491	Plug 180x15 (solid shaft)
120	1 or 0	084978	Shrink disc with cap
130	1	085069	Tapered roller bearing (output shaft)
131	1	085039	Backing ring 160x180x3,5 (to 130)
131	4	085031	Shim 160x180x0.1 (to 130)
131	4	085032	Shim 160x180x0.15 (to 130)
134	1	085522	Nilos ring 32024XAV (to 130)
135	1	015746	Retaining ring J180x4.0 (to 130, bore)

Motorized Shaft Mount MSM MW148 Parts List for Helical Gear Units			
Position / No.	Quantity	Part Number	Component Designation
140	1	085069	Tapered roller bearing (output shaft)
141	1 or 0	084828	Sleeve 140x122x14 (to 140) (not used)
143	1 or 0	085522	Nilos ring 32024XAV (to 140) (not used)
144	1	085039	Backing ring 160x180x3,5 (to 140)
146	1	015746	Retaining ring J180x4.0 (to 140, bore)
160	1 or 2	085057	Output Seal 120x180x15
201	1 or 0	082436	Adapter plate - HB1482 - Frames 132, 210TC
201	1 or 0	082446	Adapter plate - HB1482 - Frames 160, 250TC
201	1 or 0	082454	Adapter plate - HB1482 - Frames 180/200, 280TC
201	1 or 0	082460	Adapter plate - HB1482 - Frames 225, 320TC
201	1 or 0	082464	Adapter plate - HB1482 - Frames 250, 360TC
201	1 or 0	082594	Adapter plate - HB1483 - Frames 71-100, 56-140TC (1)
201	1 or 0	082596	Adapter plate - HB1483 - Frames 112 - 180TC
201	1 or 0	082498	Adapter plate - HB1483 - Frames 132, 210TC
201	1 or 0	082506	Adapter plate - HB1483 - Frames 160, 250TC
201	1 or 0	082604	Adapter plate - HB1483 - Frames 180/200, 280TC
201	1 or 0	082516	Adapter plate - HB1483 - Frames 225, 320TC
205	4 or 0	050843	Bolt M10x30-8.8 (adpt plt to motor) - HB1482 132-210TC
205	4 or 0	60245210A	Bolt M12x35-8.8 (adpt plate to motor) - HB1482 160, 250TC
205	4 or 0	093841	Bolt M16x40-8.8 (adpt plt to motor)-HB1482 180/200-280TC
205	4 or 0	141193	Bolt M16x45-8.8 (adpt plt to motor) 1482 225-250, 320-360TC
205	4 or 0	093839	Bolt M6x25-8.8 (adpt plate to motor) - HB1483 100-140TC (1)
205	4 or 0	050831	Bolt M8x35-8.8 (adapter plate to motor) - HB1483 112 -180TC
205	4 or 0	133241	Bolt M10x45-8.8 (adpt plate to motor) - HB1483 132, 210TC
205	3 or 0	174820	Bolt M12x35-8.8 (adpt plate to motor) - HB1483 160-250TC
205	1 or 0	141192	Bolt M12x80-8.8 Bolt (adpt plate to motor) -1483 160, 250TC
205	3 or 0	141195	Bolt M16x70-8.8 Bolt (adpt plt to motor) -1483 180/200, 280TC
205	1 or 0	141196	Bolt M16x95-8.8 Bolt (adpt plt to motor) -1483 180/200, 280TC
205	3 or 0	141196	Bolt M16x95-8.8 (adpt plate to motor) - HB1483 225, 320TC
205	1 or 0	141197	Bolt M16x120-8.8 (adpt plate to motor) - HB1483 225, 320TC
210	8	093841	Bolt M16x40-8.8 Bolt (adapter plate to gear unit)
215	1 or 0	053168	Dowel Pin A10x24 (3 Stage Only)
220	1 or 0	083277	Gasket 71-100, 56-140TC (Between adpt plate and input group) (1)
220	1 or 0	083278	Gasket 112 - 180TC (Between adapter plate and input group)
220	1 or 0	083279	Gasket 132, 210TC (Between adapter plate and input group)
220	1 or 0	083296	Gasket 160, 250TC (Between adapter plate and input group)
220	1 or 0	081991	Gasket 180/200, 280TC (Between adpt plate and input group)
220	1 or 0	081992	Gasket 225, 320TC (Between adapter plate and input group)
220	1 or 0	081993	Gasket 250, 360TC (Between adapter plate and input group)
225	1	081988	Gasket for unit size 148 (Between adapter plate and gearcase)
301	1	See Chart	Shank pinion
305	1	See Chart	Gear
306	1	441910	Key B14x9x36 (to 305)
306	1	085529	Key B16x10x40 (to 305)
306	1 or 0	085689	Key B14x9x28 (to 325, intermediate stage) (triple)
307	1	085652	Sleeve 60x51x12
310	1 or 0	051304	Retaining ring shaft A50x2.0, A34
310	1 or 0	051308	Retaining ring shaft A55x2.0, A34
310	1 or 0	051296	Retaining ring shaft A40x1,75 (triple reduction)
315	1 or 0	07914703V	Ball bearing (in adapter plate) - (triple reduction)
320	1 or 0	085481	Ball bearing (in center plate) - (triple reduction)
321	1 or 0	051334	Retaining ring J110x4.0 (triple reduction)
325	1 or 0	085709	Pinion shaft i=4.688 intermediate stage ratio
330	1 or 0	084543	Gear i=4.688 intermediate stage ratio
335	1 or 0	051308	Retaining ring shaft A55x2.0, A34
340	1 or 0	084523	Pinion shaft Output Ratio A24: 8.214
340	1 or 0	084562	Pinion shaft Output Ratio A34: 4.600
345	1 or 0	085575	Gear Output Ratio small, large
346	1	138799	Key B25x14x80 (to 345)
401	5	083867	Pipe Plug 3/4" DIN908
401	1	083867	Pipe Plug 3/4" DIN908
405	1 or 0	086597	Oil sight glass 3/4" (OPTIONAL - NOT SHOWN)
406	1 or 0	086598	Gasket 27x32x2.1 (to 405)
420	1	085527	Breather 3/4"

(1) Also used for 180TC input until design change Feb 2005. At that time 180TC changed to use 112 adpt plate (#201) & hardware.



RENEWAL PARTS DATA

QUANTIS MSM SIZE 148 GEARING CHART

DOUBLE REDUCTION

TOTAL RATIO	1st STAGE	2nd STAGE		IEC132D/210TC		IEC160/250TC		IEC180/200/280TC		IEC225/320TC		IEC250/360TC		IEC280D	
				1st	2nd	1st	2nd	1st	2nd	1st	2nd	1st	2nd	1st	2nd
7.544	1.640	4.600	PINION GEAR	-----	-----	083551	084562	081806	084562	081805	084562	081804	084562	081803	084562
						081761	085575	081761	085575	081761	085575	081761	085575	081761	085575
9.857	2.143	4.600	PINION GEAR	-----	-----	083490	084562	081792	084562	081791	084562	081790	084562	081789	084562
						081750	085575	081750	085575	081750	085575	081750	085575	081750	085575
11.610	2.524	4.600	PINION GEAR	083497	084562	083495	084562	081801	084562	081800	084562	081799	084562	081798	084562
				081757	085575	081757	085575	081757	085575	081757	085575	081757	085575	081757	085575
13.316	2.895	4.600	PINION GEAR	083493	084562	083492	084562	081797	084562	081796	084562	081794	084562	081793	084562
				081754	085575	081754	085575	081754	085575	081754	085575	081754	085575	081754	085575
14.676	3.190	4.600	PINION GEAR	083487	084562	083486	084562	081788	084562	081786	084562	081785	084562	081784	084562
				081748	085575	081748	085575	081748	085575	081748	085575	081748	085575	081748	085575
17.355	3.773	4.600	PINION GEAR	083448	084562	083447	084562	081776	084562	081775	084562	081774	084562	081774	084562
				081724	085575	081724	085575	081724	085575	081724	085575	081724	085575	081724	085575
19.780	4.300	4.600	PINION GEAR	083543	084562	083544	084562	081773	084562	081772	084562	081771	084562	081771	084562
				081720	085575	081720	085575	081720	085575	081720	085575	081720	085575	081720	085575
22.744	4.944	4.600	PINION GEAR	083546	084562	083547	084562	081770	084562	081769	084562	081768	084562	081768	084562
				081716	085575	081716	085575	081716	085575	081716	085575	081716	085575	081716	085575
26.000	5.652	4.600	PINION GEAR	083478	084562	083477	084562	081781	084562	081780	084562	081779	084562	081779	084562
				081742	085575	081742	085575	081742	085575	081742	085575	081742	085575	081742	085575
26.509	3.227	8.214	PINION GEAR	083448	084523	083447	084523	081776	084523	081775	084523	081774	084523	081774	084523
				081723	085575	081723	085575	081723	085575	081723	085575	081723	085575	081723	085575
30.392	3.700	8.214	PINION GEAR	083543	084523	083544	084523	081773	084523	081772	084523	081771	084523	081771	084523
				081719	085575	081719	085575	081719	085575	081719	085575	081719	085575	081719	085575
35.138	4.278	8.214	PINION GEAR	083546	084523	083547	084523	081770	084523	081769	084523	081768	084523	081768	084523
				081715	085575	081715	085575	081715	085575	081715	085575	081715	085575	081715	085575
36.470	4.440	8.214	PINION GEAR	083502	084523	083501	084523	081783	084523	081782	084523	081781	084523	081781	084523
				081745	085575	081745	085575	081745	085575	081745	085575	081745	085575	081745	085575
40.356	4.913	8.214	PINION GEAR	083478	084523	083477	084523	081781	084523	081780	084523	081779	084523	081779	084523
				081741	085575	081741	085575	081741	085575	081741	085575	081741	085575	081741	085575
47.231	5.750	8.214	PINION GEAR	083472	084523	083471	084523	081956	084523	081959	084523	081959	084523	081959	084523
				081738	085575	081738	085575	081738	085575	081738	085575	081738	085575	081738	085575
51.151	6.227	8.214	PINION GEAR	083464	084523	083430	084523	081780	084523	081778	084523	081778	084523	081778	084523
				081734	085575	081734	085575	081734	085575	081734	085575	081734	085575	081734	085575
57.087	6.950	8.214	PINION GEAR	083423	084523	083422	084523	081764	084523	081764	084523	081764	084523	081764	084523
				081712	085575	081712	085575	081712	085575	081712	085575	081712	085575	081712	085575
60.524	7.368	8.214	PINION GEAR	083416	084523	083415	084523	081777	084523	081777	084523	081777	084523	081777	084523
				081731	085575	081731	085575	081731	085575	081731	085575	081731	085575	081731	085575
68.611	8.353	8.214	PINION GEAR	083376	084523	083375	084523	081708	084523	081708	084523	081708	084523	081708	084523
				081708	085575	081708	085575	081708	085575	081708	085575	081708	085575	081708	085575
73.413	8.938	8.214	PINION GEAR	083407	084523	083406	084523	081727	084523	081727	084523	081727	084523	081727	084523
				081727	085575	081727	085575	081727	085575	081727	085575	081727	085575	081727	085575
77.212	9.400	8.214	PINION GEAR	083371	084523	083371	084523	081705	084523	081705	084523	081705	084523	081705	084523
				081705	085575	081705	085575	081705	085575	081705	085575	081705	085575	081705	085575
83.313	10.143	8.214	PINION GEAR	083353	084523	083353	084523	081702	084523	081702	084523	081702	084523	081702	084523
				081702	085575	081702	085575	081702	085575	081702	085575	081702	085575	081702	085575

(1) Pinion shank diameter changes by motor frame size.



RENEWAL PARTS DATA

TRIPLE REDUCTION

QUANTIS MSM SIZE 148
GEARING CHART

TOTAL RATIO	1st STAGE	2nd STAGE	3rd STAGE		IEC100/180TC 16 MM (1)			IEC132/210TC 22 MM (1)			IEC160/250TC 28 MM (1)		
					1st	2nd	3rd	1st	2nd	3rd	1st	2nd	3rd
29.328	1.360	4.688	4.600	PINION GEAR	----	----	----	----	----	----	883551	885709	884562
39.022	1.810	4.688	4.600	PINION GEAR	----	----	----	----	----	----	881759	884543	885575
45.183	2.095	4.688	4.600	PINION GEAR	----	----	----	----	----	----	883490	885709	884562
53.345	2.474	4.688	4.600	PINION GEAR	----	----	----	----	----	----	883491	884543	885575
59.560	2.762	4.688	4.600	PINION GEAR	883508	885709	884562	883487	885709	884562	883486	885709	884562
69.595	3.227	4.688	4.600	PINION GEAR	881747	884543	885575	881747	884543	885575	881747	884543	885575
79.790	3.700	4.688	4.600	PINION GEAR	883450	885709	884562	883448	885709	884562	883447	885709	884562
92.249	4.278	4.688	4.600	PINION GEAR	881723	884543	885575	881723	884543	885575	881723	884543	885575
95.748	4.440	4.688	4.600	PINION GEAR	883540	885709	884562	883543	885709	884562	883544	885709	884562
105.949	4.913	4.688	4.600	PINION GEAR	881719	884543	885575	881719	884543	885575	881719	884543	885575
123.998	5.750	4.688	4.600	PINION GEAR	----	----	----	883546	885709	884562	883547	885709	884562
134.290	6.227	4.688	4.600	PINION GEAR	881715	884543	885575	881715	884543	885575	881715	884543	885575
149.875	6.950	4.688	4.600	PINION GEAR	883504	885709	884562	883502	885709	884562	883501	885709	884562
158.899	7.368	4.688	4.600	PINION GEAR	881745	884543	885575	881745	884543	885575	881745	884543	885575
180.130	8.353	4.688	4.600	PINION GEAR	883523	885709	884562	883478	885709	884562	883477	885709	884562
192.735	8.938	4.688	4.600	PINION GEAR	881741	884543	885575	881741	884543	885575	881741	884543	885575
202.709	9.400	4.688	4.600	PINION GEAR	883521	885709	884562	883472	885709	884562	883471	885709	884562
218.729	10.143	4.688	4.600	PINION GEAR	881738	884543	885575	881738	884543	885575	881738	884543	885575
					883466	885709	884562	883464	885709	884562	883430	885709	884562
					881734	884543	885575	881734	884543	885575	881734	884543	885575
					883519	885709	884562	883423	885709	884562	883422	885709	884562
					881712	884543	885575	881712	884543	885575	881712	884543	885575
					883459	885709	884562	883416	885709	884562	883415	885709	884562
					881731	884543	885575	881731	884543	885575	881731	884543	885575
					883516	885709	884562	883376	885709	884562	883375	885709	884562
					881708	884543	885575	881708	884543	885575	881708	884543	885575
					883454	885709	884562	883407	885709	884562	883406	885709	884562
					881727	884543	885575	881727	884543	885575	881727	884543	885575
					883374	885709	884562	883371	885709	884562	883370	885709	884562
					881705	884543	885575	881705	884543	885575	881705	884543	885575
					883355	885709	884562	883353	885709	884562	883352	885709	884562
					881702	884543	885575	881702	884543	885575	881702	884543	885575

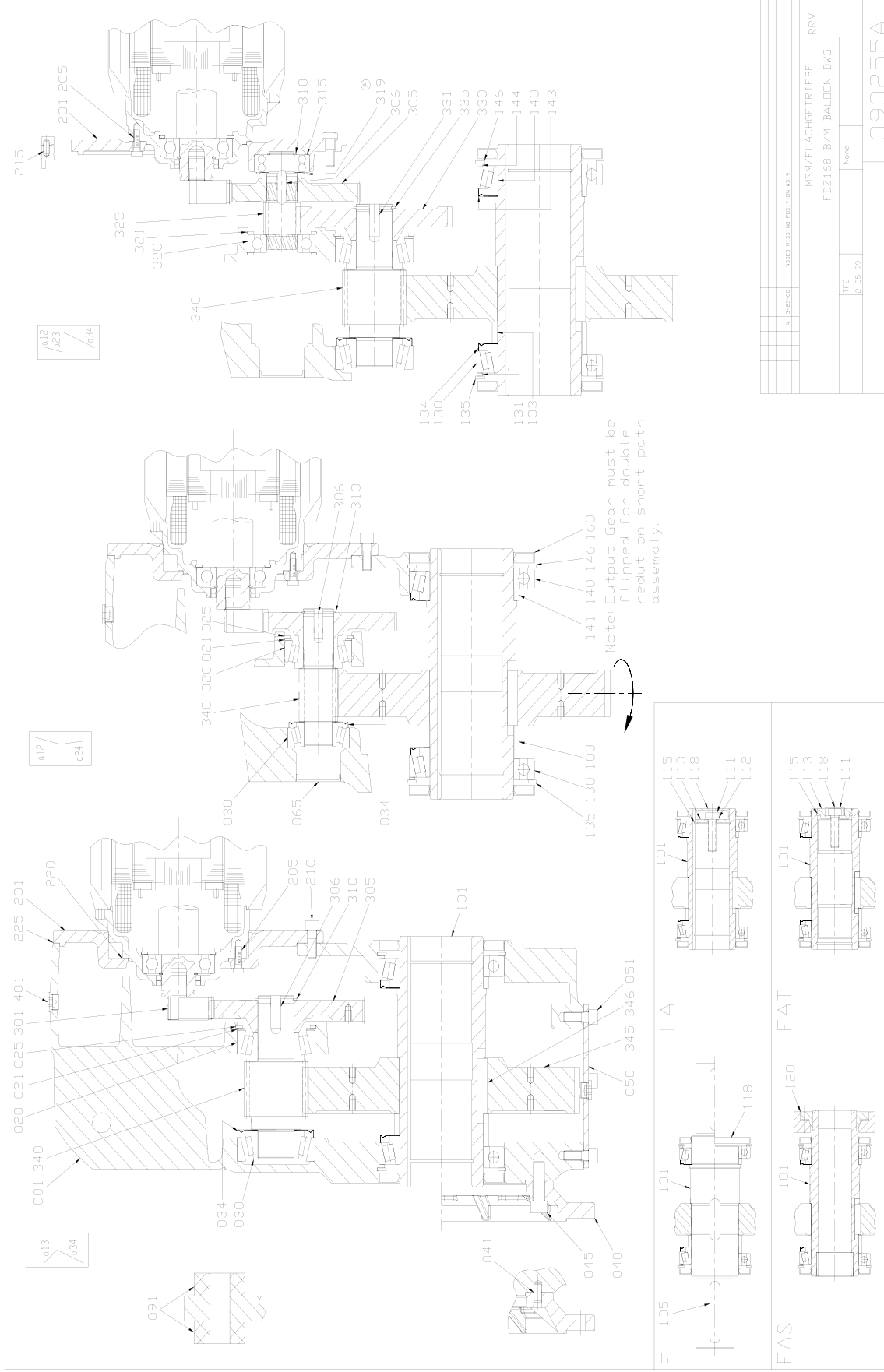


QUANTIS MSM SIZE 148
GEARING CHART

TRIPLE REDUCTION

TOTAL RATIO	1st STAGE	2nd STAGE	3rd STAGE	IEC 180/200/280TC 36 MM (1)			IEC225/320TC 39 MM (1)			IEC250D/360TC 42 MM (1)						
				1st	2nd	3rd	1st	2nd	3rd	1st	2nd	3rd				
29.328	1.360	4.688	4.600	PINION GEAR	081806 081759	085709 084543	084562 085575	081805 081759	085709 084543	084562 085575	081805 081759	085709 084543	084562 085575	081805 081759	085709 084543	084562 085575
39.022	1.810	4.688	4.600	PINION GEAR	081792 083491	085709 084543	084562 085575	081791 083491	085709 084543	084562 085575	081791 083491	085709 084543	084562 085575	081791 083491	085709 084543	084562 085575
45.183	2.095	4.688	4.600	PINION GEAR	081801 081756	085709 084543	084562 085575	081800 081756	085709 084543	084562 085575	081800 081756	085709 084543	084562 085575	081800 081756	085709 084543	084562 085575
53.345	2.474	4.688	4.600	PINION GEAR	081797 081753	085709 084543	084562 085575	081796 081753	085709 084543	084562 085575	081796 081753	085709 084543	084562 085575	081796 081753	085709 084543	084562 085575
59.560	2.762	4.688	4.600	PINION GEAR	081788 081747	085709 084543	084562 085575	081786 081747	085709 084543	084562 085575	081786 081747	085709 084543	084562 085575	081786 081747	085709 084543	084562 085575
69.595	3.227	4.688	4.600	PINION GEAR	081776 081723	085709 084543	084562 085575	081775 081723	085709 084543	084562 085575	081775 081723	085709 084543	084562 085575	081775 081723	085709 084543	084562 085575
79.790	3.700	4.688	4.600	PINION GEAR	081773 081719	085709 084543	084562 085575	081772 081719	085709 084543	084562 085575	081772 081719	085709 084543	084562 085575	081772 081719	085709 084543	084562 085575
92.249	4.278	4.688	4.600	PINION GEAR	081770 081715	085709 084543	084562 085575	081769 081715	085709 084543	084562 085575	081769 081715	085709 084543	084562 085575	081769 081715	085709 084543	084562 085575
95.748	4.440	4.688	4.600	PINION GEAR	081783 081745	085709 084543	084562 085575	081782 081745	085709 084543	084562 085575	081782 081745	085709 084543	084562 085575	081782 081745	085709 084543	084562 085575
105.949	4.913	4.688	4.600	PINION GEAR	081781 081741	085709 084543	084562 085575	081960 081741	085709 084543	084562 085575	081960 081741	085709 084543	084562 085575	081960 081741	085709 084543	084562 085575
123.998	5.750	4.688	4.600	PINION GEAR	081956 081738	085709 084543	084562 085575	081959 081738	085709 084543	084562 085575	081959 081738	085709 084543	084562 085575	081959 081738	085709 084543	084562 085575
134.290	6.227	4.688	4.600	PINION GEAR	081780 081734	085709 084543	084562 085575	081778 081734	085709 084543	084562 085575	081778 081734	085709 084543	084562 085575	081778 081734	085709 084543	084562 085575
149.875	6.950	4.688	4.600	PINION GEAR	081764 081712	085709 084543	084562 085575	081764 081712	085709 084543	084562 085575	081764 081712	085709 084543	084562 085575	081764 081712	085709 084543	084562 085575
158.899	7.368	4.688	4.600	PINION GEAR	081777 081731	085709 084543	084562 085575	081777 081731	085709 084543	084562 085575	081777 081731	085709 084543	084562 085575	081777 081731	085709 084543	084562 085575
180.130	8.353	4.688	4.600	PINION GEAR	-----	-----	-----	-----	-----	-----	-----	-----	-----	-----	-----	-----
192.735	8.938	4.688	4.600	PINION GEAR	-----	-----	-----	-----	-----	-----	-----	-----	-----	-----	-----	-----
202.709	9.400	4.688	4.600	PINION GEAR	-----	-----	-----	-----	-----	-----	-----	-----	-----	-----	-----	-----
218.729	10.143	4.688	4.600	PINION GEAR	-----	-----	-----	-----	-----	-----	-----	-----	-----	-----	-----	-----

(1) Pinion shank diameter changes by motor frame size.



Motorized Shaft Mount MSM MW168			Parts List for Helical Gear Units
<i>Position / No.</i>	<i>Quantity</i>	<i>Part Number</i>	<i>Component Designation</i>
001	1	090053	Gearcase - MW168
020	1 or 0	085701	Tapered roller bearing (pinion shaft output stage, A24)
020	1 or 0	725382	Tapered roller bearing (pinion shaft output stage, A34)
021	1 or 0	699500	Backing ring 100x120x3.5 (A24)
021	1 or 0	152558	Backing ring 125x140x3.5 (A34)
021	0 or 3	154638	Shim 102x120x0.1 (to A24)
021	0 or 3	154637	Shim 102x120x0.15 (to A24)
021	0 or 2	987477	Shim 125x140x0.1 (to A34)
021	0 or 3	085035	Shim 125x140x0.15 (to A34)
025	1 or 0	051335	Retaining ring bore J120x4.0 (A24)
025	1 or 0	051338	Retaining ring bore J140x4.0 (A34)
030	1 or 0	085679	Tapered roller bearing (pinion shaft output stage, A24)
030	1 or 0	725382	Tapered roller bearing (pinion shaft output stage, A34)
034	1 or 0	085536	Nilosring 32310AV (to 030) (A24)
034	1 or 0	085538	Nilosring 32313AV (to 030) (A34)
040	1 or 0	081662	Output flange A550 machined
041	2 or 0	085848	Adapter sleeve 16x40
045	6 or 0	085051	Bolt M20x60, DIN912
050	1	090262	Cover plate - steel
051	10	093841	Bolt M16x40 DIN912 to attach cover plate
070	1	517917	Cap 80x12 for intermediate stage left
101	1 or 0	086537	Hollow shaft 100 mm diam. standard
101	1 or 0	084628	Hollow shaft 110 mm alternative
101	1 or 0	084629	Hollow shaft 105 mm diam. shrink disc
101	1 or 0	084636	Hollow shaft N1100x3x30 spline shaft
101	1 or 0	092487	Hollow shaft Twin Taper Bore (TTB)
101	1 or 0	087384	Solid output shaft 1 end 110 x 210 mm
101	1 or 0	087342	Solid output shaft 2 ends 110 x 210 mm
101	1 or 0	085560	Solid output shaft 1 end 120x210 mm
101	1 or 0	084639	Solid output shaft 2 ends 120x210 mm
101	1 or 0	087376	Hollow output shaft 3.9375" alternative
101	1 or 0	084637	Hollow shaft 4.000" (101.6 mm) standard
101	1 or 0	086596	Hollow shaft 4.500" (114.3 mm) alternative
101	1 or 0	086929	Solid output shaft 1 end 4.375"x210 mm standard
101	1 or 0	087370	Solid output shaft 2 ends 4.375 x 210 mm
101	1 or 0	085471	Solid output shaft 1 end 4.750"x210 mm alternative
101	1 or 0	085472	Solid output shaft 2 ends 4.750"x210 mm
103	1	085011	Sleeve 170x152x35.5 (to 130)
105	2 or 1 or 0	681245	Key (shaft end) A32x18x160 for 120x210 mm shaft
105	2 or 1 or 0	086662	Key (shaft end) 1-1/4"x1-1/4"x7" for 4.750"x210 mm shaft
105	2 or 1 or 0	681318	Key (shaft end) for 110 x 210 mm shaft
105	2 or 1 or 0	443437	Key (shaft end) for 4.375 x 210 mm shaft
111	1 or 0	085526	Bolt M24X95 (100mm hollow)
111	1 or 0	133318	Bolt M24X100 (110mm hollow)
111	1 or 0	086381	Bolt M24x80 (splined hollow)
111	1 or 0	085732	Bolt 1"-8x3.00" (3.938" & 4.000" hollow)
112	1 or 0	051222	Lock washer B24 A2F (100 & 110mm hollow)
112	1 or 0	085733	Lock washer B27 A2F (4.000" hollow)
113	1 or 0	123421	Washer (hollow shaft 100 mm & 3.938" & 4.000") D27x100x15
113	1 or 0	166412	Washer (hollow shaft 110 mm) D25x110x18
113	1 or 0	084755	Washer (Spline shaft) D26x110x55
113	1 or 0	086632	Washer (4.500") D21x92x15
115	1 or 0	278717	Retaining ring bore J100x3.0 (100mm & 3.938" & 4.000" hollow)
115	1 or 0	051334	Retaining ring bore J110x4.0 (110mm & splined hollow)
115	1 or 0	599450	Retaining ring bore J115x4.0 (4.500" hollow shaft)
118	1 or 0	085734	Plug 102.5x18.0 (100mm & 3.938" & 4.000" hollow)
118	1 or 0	086397	Plug 111.7x17.4 (110mm hollow)
118	1 or 0	899852	Plug 47x14.5 (splined hollow)
118	1 or 0	090283	Plug 4.250" (hollow shaft 4.50")
118	1 or 0	085713	Plug 225x17 (solid shaft single extension)
120	1 or 0	084979	Shrink disc with cap
130	1	085070	Tapered roller bearing (output shaft)
131	1	085038	Backing ring 200x225x5 (to 130)
131	2	085033	Shim 200x225x0.1 (zu 130)
131	2	085037	Shim 200x225x0.15 (zu 130)
134	1	085523	Nilos ring 32030XAV (to 130)
135	1	085055	Retaining ring J225x5.0 (to 130, bore)
140	1	085070	Tapered roller bearing (output shaft)

Motorized Shaft Mount MSM MW168			Parts List for Helical Gear Units
<i>Position / No.</i>	<i>Quantity</i>	<i>Part Number</i>	<i>Component Designation</i>
141	1 or 0	084834	Sleeve 140x122x14 (to 140) (not used)
143	1	085523	Nilos ring 32030XAV (to 140)
144	1	085038	Backing ring 200x225x5 (to 140)
146	1	085055	Retaining ring J225x5.0 (to 140, bore)
160	1 or 2	085056	Output Seal 150x225x17
201	1 or 0	082438	Adapter plate - HB1682 - Frames 132, 210TC
201	1 or 0	082448	Adapter plate - HB1682 - Frames 160, 250TC
201	1 or 0	082456	Adapter plate - HB1682 - Frames 180/200, 280TC
201	1 or 0	082462	Adapter plate - HB1682 - Frames 225, 320TC
201	1 or 0	082588	Adapter plate - HB1682 - Frames 250/360TC
201	1 or 0	082500	Adapter plate - HB1683 - Frames 132, 210TC
201	1 or 0	082508	Adapter plate - HB1683 - Frames 160, 250TC
201	1 or 0	082514	Adapter plate - HB1683 - Frames 180/200, 280TC
201	1 or 0	082518	Adapter plate - HB1683 - Frames 225, 320TC
201	1 or 0	085726	Adapter plate - HB1683 - Frames 250, 360TC
205	4 or 0	050843	Bolt M10x30-8.8 Bolt (adapter plate to motor) - HB1682 132, 210TC
205	4 or 0	60245210A	Bolt M12x35-8.8 Bolt (adapter plate to motor) - HB1682 160, 250TC
205	4 or 0	093841	Bolt M16x40-8.8 Bolt (adapter plate to motor) - HB1682 180/200, 280TC
205	4 or 0	141193	Bolt M16x45-8.8 Bolt (adpt plate to motor) - HB1682 225/250, 320/360TC
205	4 or 0	129847	Bolt M10x40-8.8 Bolt (adapter plate to motor) - HB1683 132, 210TC
205	4 or 0	174820	Bolt M12x35-8.8 Bolt (adapter plate to motor) - HB1683 160, 250TC
205	3 or 0	021746	Bolt M16x55-8.8 Bolt (adapter plate to motor) - HB1683 180/200, 280TC
205	1 or 0	141196	Bolt M16x95-8.8 Bolt (adapter plate to motor) - HB1683 180/200, 280TC
205	3 or 0	141195	Bolt M16x70-8.8 Bolt (adapter plate to motor) -1683 225-250, 320-360TC
205	1 or 0	141197	Bolt M16x120-8.8 Bolt (adapter plate to motor) -1683 225-250, 320-360TC
210	8	093841	Bolt M16x40-8.8 Bolt (adapter plate to gear unit)
215	1 or 0	053168	Dowel Pin A10x24 (3 Stage Only)
220	1 or 0	083279	Gasket 132, 210TC (Between adapter plate and input group)
220	1 or 0	083296	Gasket 160, 250TC (Between adapter plate and input group)
220	1 or 0	081991	Gasket 180/200, 280TC (Between adapter plate and input group)
220	1 or 0	081992	Gasket 225, 320TC (Between adapter plate and input group)
220	1 or 0	081993	Gasket 250, 360TC (Between adapter plate and input group)
225	1	081989	Gasket for unit size 168 (Between adapter plate and gearcase)
301	1	See Chart	Shank pinion
305	1	See Chart	Gear
306	1	085529	Key B16x10x40 (to 305)
306	1	436186	Key B18x11x45 (to 305)
306	1 or 0	085529	Key B16x10x40 (to 325, intermediate stage) (triple)
310	1 or 0	051308	Retaining ring shaft A55x2.0, A24
310	1 or 0	051314	Retaining ring shaft A65x2.5, A34
315	1 or 0	085682	Spherical roller bearing 21309E (in adapter plate) (triple reduction)
320	1 or 0	683132	Spherical roller bearing 21311 (in center plate) (triple reduction)
321	1 or 0	051335	Retaining ring J120x4.0 (triple reduction)
325	1 or 0	085710	Pinion shaft i=4.933 intermediate stage ratio
330	1 or 0	084547	Gear i=4.933 intermediate stage ratio
335	1 or 0	051314	Retaining ring shaft A65x2.5, A34 (triple reduction)
340	1 or 0	084525	Pinion shaft Output Ratio A24: 8.500
340	1 or 0	084564	Pinion shaft Output Ratio A34: 4.760
345	1 or 0	085576	Gear Output Ratio small, large
346	1	085530	Key B32x18x90 (to 345)
401	5	083867	Pipe Plug 3/4" DIN908
401	1	083867	Pipe Plug 3/4" DIN908
405	1 or 0	086597	Oil sight glass 3/4" (OPTIONAL - NOT SHOWN)
406	1 or 0	086598	Gasket 27x32x2.1 (to 405)
420	1	085527	Breather 3/4"



RENEWAL PARTS DATA

QUANTIS MSM SIZE 168

GEARING CHART

DOUBLE REDUCTION

TOTAL RATIO	1st STAGE	2nd STAGE	IEC132D/210TC 22 MM (1)		IEC160/250TC 28 MM (1)		IEC 180/200/280TC 36 MM (1)		IEC 225/320TC 39 MM (1)		IEC250/360TC 42 MM (1)		IEC280D 46 MM (1)	
			1st	2nd	1st	2nd	1st	2nd	1st	2nd	1st	2nd	1st	2nd
7.714	1.621	4.760	-----	-----	-----	-----	081958	084564	081811	084564	081810	084564	081808	084564
							081763	085576	081763	085576	081763	085576	081763	085576
9.710	2.040	4.760	-----	-----	083551	084564	081806	084564	081805	084564	081804	084564	081803	084564
							081762	085576	081762	085576	081762	085576	081762	085576
12.467	2.619	4.760	-----	-----	083490	084564	081792	084564	081791	084564	081790	084564	081789	084564
							081751	085576	081751	085576	081751	085576	081751	085576
14.507	3.048	4.760	083497	084564	083495	084564	081801	084564	081800	084564	081799	084564	081798	084564
			081758	085576	081758	085576	081758	085576	081758	085576	081758	085576	081758	085576
16.535	3.474	4.760	083493	084564	083492	084564	081797	084564	081796	084564	081794	084564	081793	084564
			081755	085576	081755	085576	081755	085576	081755	085576	081755	085576	081755	085576
18.133	3.810	4.760	083487	084564	083486	084564	081788	084564	081786	084564	081785	084564	081784	084564
			081749	085576	081749	085576	081749	085576	081749	085576	081749	085576	081749	085576
21.853	4.591	4.760	083448	084564	083447	084564	081776	084564	081775	084564	081774	084564	-----	-----
			081725	085576	081725	085576	081725	085576	081725	085576	081725	085576	081725	085576
24.276	5.100	4.760	083543	084564	083544	084564	081773	084564	081772	084564	081771	084564	-----	-----
			081721	085576	081721	085576	081721	085576	081721	085576	081721	085576	081721	085576
27.502	5.778	4.760	083546	084564	083547	084564	081770	084564	081769	084564	081768	084564	-----	-----
			081717	085576	081717	085576	081717	085576	081717	085576	081717	085576	081717	085576
32.068	3.773	8.500	083448	084525	083447	084525	081776	084525	081775	084525	081774	084525	-----	-----
			081724	085576	081724	085576	081724	085576	081724	085576	081724	085576	081724	085576
36.550	4.300	8.500	083543	084525	083544	084525	081773	084525	081772	084525	081771	084525	-----	-----
			081720	085576	081720	085576	081720	085576	081720	085576	081720	085576	081720	085576
42.028	4.944	8.500	083546	084525	083547	084525	081770	084525	081769	084525	081768	084525	-----	-----
			081716	085576	081716	085576	081716	085576	081716	085576	081716	085576	081716	085576
48.043	5.652	8.500	083478	084525	083477	084525	081781	084525	081960	084525	081961	084525	-----	-----
			081742	085576	081742	085576	081742	085576	081742	085576	081742	085576	081742	085576
55.675	6.550	8.500	083472	084525	083471	084525	081956	084525	081959	084525	081959	084525	-----	-----
			081739	085576	081739	085576	081739	085576	081739	085576	081739	085576	081739	085576
60.659	7.136	8.500	083464	084525	083430	084525	081780	084525	081778	084525	081778	084525	-----	-----
			081735	085576	081735	085576	081735	085576	081735	085576	081735	085576	081735	085576
67.575	7.950	8.500	083423	084525	083422	084525	081764	084525	-----	-----	-----	-----	-----	-----
			081713	085576	081713	085576	081764	084525	081735	085576	081735	085576	081735	085576
71.579	8.421	8.500	083416	084525	083415	084525	081777	084525	-----	-----	-----	-----	-----	-----
			081732	085576	081732	085576	081777	084525	081732	085576	081732	085576	081732	085576
80.500	9.471	8.500	083376	084525	083375	084525	-----	-----	-----	-----	-----	-----	-----	-----
			081709	085576	081709	085576	081709	085576	081709	085576	081709	085576	081709	085576
86.063	10.125	8.500	083407	084525	083406	084525	-----	-----	-----	-----	-----	-----	-----	-----
			080729	085576	080729	085576	080729	085576	080729	085576	080729	085576	080729	085576

(1) Pinion shank diameter changes by motor frame size.



RENEWAL PARTS DATA

QUANTIS MSM SIZE 168
GEARING CHART

TRIPLE REDUCTION

TOTAL RATIO	1st STAGE	2nd STAGE	3rd STAGE		IEC132/210TC 22 MM (1)			IEC160/250TC 28 MM (1)			IEC 180/200/280TC 36 MM (1)		
					1st	2nd	3rd	1st	2nd	3rd	1st	2nd	3rd
38.509	1.640	4.933	4.760	PINION GEAR	-----	-----	-----	083551 081761	085710 084547	084564 085576	081806 081761	085710 084547	084564 085576
50.317	2.143	4.933	4.760	PINION GEAR	-----	-----	-----	083490 081750	085710 084547	084564 085576	081792 081750	085710 084547	084564 085576
59.262	2.524	4.933	4.760	PINION GEAR	083497 081757	085710 084547	084564 085576	083495 081757	085710 084547	084564 085576	081801 081757	085710 084547	084564 085576
67.972	2.895	4.933	4.760	PINION GEAR	083493 081754	085710 084547	084564 085576	083492 081754	085710 084547	084564 085576	081797 081754	085710 084547	084564 085576
74.916	3.190	4.933	4.760	PINION GEAR	083487 081748	085710 084547	084564 085576	083486 081748	085710 084547	084564 085576	081788 081748	085710 084547	084564 085576
88.588	3.773	4.933	4.760	PINION GEAR	083448 081724	085710 084547	084564 085576	083447 081724	085710 084547	084564 085576	081776 081724	085710 084547	084564 085576
100.969	4.300	4.933	4.760	PINION GEAR	083543 081720	085710 084547	084564 085576	083544 081720	085710 084547	084564 085576	081773 081720	085710 084547	084564 085576
116.101	4.944	4.933	4.760	PINION GEAR	083546 081716	085710 084547	084564 085576	083547 081716	085710 084547	084564 085576	081770 081716	085710 084547	084564 085576
132.719	5.652	4.933	4.760	PINION GEAR	083478 081742	085710 084547	084564 085576	083477 081742	085710 084547	084564 085576	081781 081742	085710 084547	084564 085576
153.801	6.550	4.933	4.760	PINION GEAR	083472 081739	085710 084547	084564 085576	083471 081739	085710 084547	084564 085576	081956 081739	085710 084547	084564 085576
167.570	7.136	4.933	4.760	PINION GEAR	083464 081735	085710 084547	084564 085576	083430 081735	085710 084547	084564 085576	081780 081735	085710 084547	084564 085576
186.675	7.950	4.933	4.760	PINION GEAR	083423 081713	085710 084547	084564 085576	083422 081713	085710 084547	084564 085576	081764 081713	085710 084547	084564 085576
197.735	8.421	4.933	4.760	PINION GEAR	083416 081732	085710 084547	084564 085576	083415 081732	085710 084547	084564 085576	081777 081732	085710 084547	084564 085576
222.380	9.471	4.933	4.760	PINION GEAR	083376 081709	085710 084547	084564 085576	083375 081709	085710 084547	084564 085576	----- -----	----- -----	----- -----
237.746	10.125	4.933	4.760	PINION GEAR	083407 081729	085710 084547	084564 085576	083406 081729	085710 084547	084564 085576	----- -----	----- -----	----- -----



QUANTIS MSM SIZE 168
GEARING CHART

TRIPLE REDUCTION

TOTAL RATIO	1st STAGE	2nd STAGE	3rd STAGE		IEC225/320TC 39 MM (1)			IEC250D/360TC 42 MM (1)		
					1st	2nd	3rd	1st	2nd	3rd
38.509	1.640	4.933	4.760	PINION GEAR	081805	085710	084564	081804	085710	084564
					081761	084547	085576	081761	084547	085576
50.317	2.143	4.933	4.760	PINION GEAR	081791	085710	084564	081790	085710	084564
					081750	084547	085576	081750	084547	085576
59.262	2.524	4.933	4.760	PINION GEAR	081800	085710	084564	081799	085710	084564
					081757	084547	085576	081757	084547	085576
67.972	2.895	4.933	4.760	PINION GEAR	081796	085710	084564	081794	085710	084564
					081754	084547	085576	081754	084547	085576
74.916	3.190	4.933	4.760	PINION GEAR	081786	085710	084564	081785	085710	084564
					081748	084547	085576	081748	084547	085576
88.588	3.773	4.933	4.760	PINION GEAR	081775	085710	084564	081774	085710	084564
					081724	084547	085576	081724	084547	085576
100.969	4.300	4.933	4.760	PINION GEAR	081772	085710	084564	081771	085710	084564
					081720	084547	085576	081720	084547	085576
116.101	4.944	4.933	4.760	PINION GEAR	081769	085710	084564	081768	085710	084564
					081716	084547	085576	081716	084547	085576
132.719	5.652	4.933	4.760	PINION GEAR	081960	085710	084564	081961	085710	084564
					081742	084547	085576	081742	084547	085576
153.801	6.550	4.933	4.760	PINION GEAR	081959	085710	084564	-----	-----	-----
					081739	084547	085576	-----	-----	-----
167.570	7.136	4.933	4.760	PINION GEAR	081778	085710	084564	-----	-----	-----
					081735	084547	085576	-----	-----	-----
186.675	7.950	4.933	4.760	PINION GEAR	-----	-----	-----	-----	-----	-----
197.735	8.421	4.933	4.760	PINION GEAR	-----	-----	-----	-----	-----	-----
222.380	9.471	4.933	4.760	PINION GEAR	-----	-----	-----	-----	-----	-----
237.746	10.125	4.933	4.760	PINION GEAR	-----	-----	-----	-----	-----	-----

(1) Pinion shank diameter changes by motor frame size.

NOMENCLATURE

RHB RIGHT ANGLE HELICAL BEVEL SERIES

C-FACE REDUCERS - GEARMOTORS - SEPARATE INPUTS

C-FACE	1	2	3	4	5	6	7	/	8	9	9a	10	10a	10b	11	11a	12	13
(EX.:)	B	B	38	3	C	N	56C	/	9.72	B3	-	H	I	1.250	-	-	-	-
GEARMOTOR																		
(EX.:)	B	F	108	3	G	H	132N4	/	31.25	B5	A	S	M	80	B5	350	-	-
SEPARATE																		
(EX.:)	B	B	38	3	S	I	71	/	9.72	B3	B	S	I	1.375	-	-	-	-

1. PRODUCT TYPE

B = RHB

2. OUTPUT CONFIGURATION

B = FOOT MOUNTED
F = FLANGE MOUNTED / SHAFT MOUNTED

3. UNIT SIZE

38	48	68	88
108	128	148	168

4. REDUCTION STAGE

3 = TRIPLE

5. INPUT CONFIGURATION

C = CLAMP COLLAR
L = 3 PIECE COUPLED
G = INTEGRAL GEARMOTOR
S = SEPARATE

6. MOTOR TYPE

N = NEMA
I = IEC
H = HORSEPOWER (GEARMOTOR)
K = KILOWATT (GEARMOTOR)
I = INCH (SEPARATE INPUT)
M = METRIC (SEPARATE INPUT)

7. MOTOR FRAME

NEMA	56C	140TC	180TC	210TC
	250TC	280TC	320TC	360TC
IEC	71	80	100	112
	132	160	180	200
	225	250		

8. RATIO

4.83 - 307.24 = TRIPLE REDUCTION

9. MOUNTING POSITION

FOOT MOUNTED (SINGLE & DOUBLE)

B3	B3-01	B6
B6-01	B6-02	B8
B8-01	V5	V6

9. MOUNTING POSITION

SHAFT MOUNTED
H-01 H-04
H-02 H-05
H-03 H-06

FLANGE MOUNTED
B5 B5-03
B5-01 V1
B5-02 V1-01

9a. OUTPUT SHAFT POSITION

A
B
AB

10. OUTPUT SHAFT / BORE TYPE

S = SINGLE EXTENSION SOLID SHAFT
D = DOUBLE EXTENSION SOLID SHAFT
H = HOLLOW BORE
T = TWIN TAPERED BUSHINGS
C = SHRINK DISC COUPLING

10a. OUTPUT SHAFT / BORE DIMENSION

I = INCH
M = METRIC

10b. OUTPUT SHAFT / BORE DIAMETER

SHAFT	BORE
INCH: 1.375 - 4.750	INCH: 1.250 - 4.000
METRIC: 35mm - 120mm	METRIC: 30mm - 110mm

11. OUTPUT FLANGE TYPE

B14
B5

11a. OUTPUT FLANGE DIAMETER

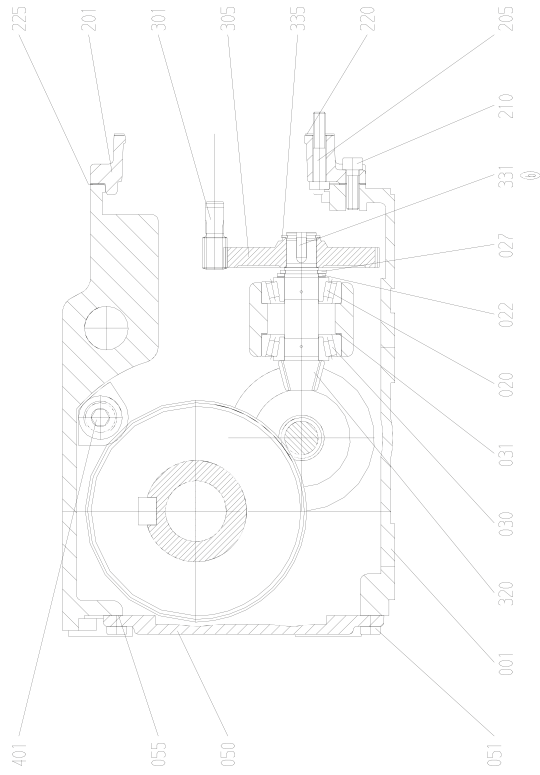
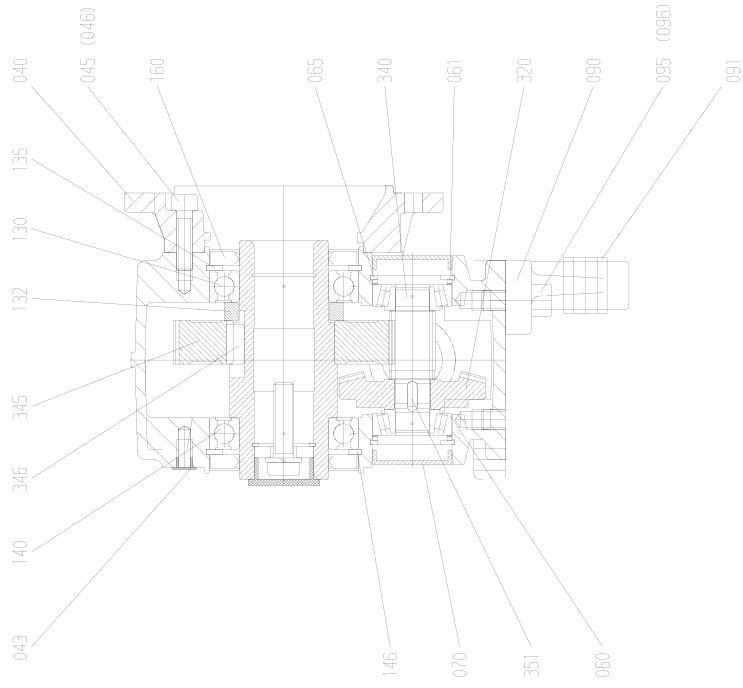
B14: 120mm - 400 mm
B5: 160mm - 550mm

12. TORQUE ARM OPTION

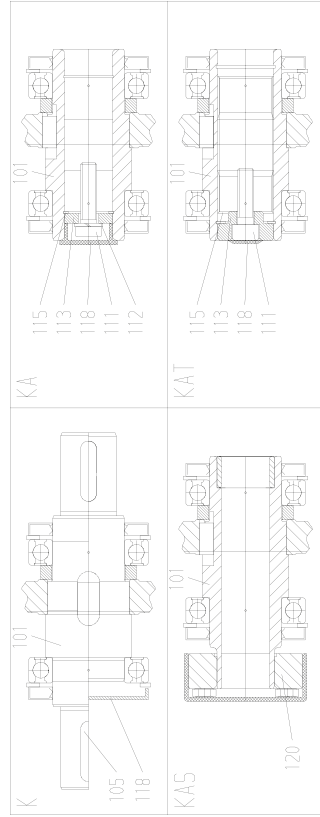
K = TORQUE ARM KIT

13. SCREW CONVEYOR DRIVE OPTION (sizes 38 - 128 only)

SCS = SCREW CONVEYOR WITH STANDARD DRIVE SHAFT
SCSS = SCREW CONVEYOR WITH STAINLESS STEEL DRIVE SHAFT



- The respective parts-list is decisive
 - For parts not shown please refer to
 the parts-list in accordance to ISO 44, part 1, page 1



DODGE QUANTIS RHB RIGHT ANGLE REDUCER	
TRIPLE REDUCTION HELICAL BEVEL SIZE RHB383	
DRAWING NUMBER 085991	
DODGE	

Right Angle Helical-Bevel RHB BB/BF 38			Parts List
<i>Position / No.</i>	<i>Quantity</i>	<i>Part Number</i>	<i>Component Designation</i>
001	1 or 0	081816	RHB38 foot housing
001	1 or 0	081819	RHB38 flange housing
020	1	728047	Bearing 30203A
022	2	724882	Shim 17 X 24 X 0.1
022	2	724890	Shim 17 X 24 X 0.15
022	1	412910	Washer 17 x 24 x 1.5
027	1	278708	External retaining ring 17 x 1
030	1	728047	Bearing 30203A
031	2	152565	Shim 35X40X0.1
031	2	154726	Shim 35x40x0.15
040	0 or 1	081826	Output flange M/B38, A160, machined
045	0 or 6	050830	Bolt M8x30 DIN912
050	1	081977	Cover plate RHB38, for foot + flange
051	6	050809	Bolt M6 x 16 DIN 6912
055	1	367730	Cover plate gasket
060	2	728047	Bearing 30203A
061	4	152565	Shim 35x40x0.1
061	4	154726	Shim 35x40x0.15
061	2	152563	Washer 35x40x2
067	2	081980	Retaining ring bore, JS40x2 heavy duty
070	2	362883	Plug 40x7
090	0 or 1	081823	Torque arm RHB38
091	0 or 1	504432	Rubber bushing 12x22x28x24
095/096	0 or 2	083297	Bolt m10x25 DIN912
101	0 or 1	086587	Hollow shaft M/B38, 30mm
101	0 or 1	084591	Hollow shaft for shrink disc, 30 mm
101	0 or 1	084592	Splined hollow shaft
101	0 or 1	092482	Hollow shaft Twin Taper Bore (TTB)
101	0 or 1	086887	Solid shaft M/B38, 1 end, 25x50mm
101	0 or 1	087329	Solid shaft M/B38, 2 ends, 25x50mm
101	0 or 1	086496	Solid shaft M/B38, 1 end, 35x70mm
101	0 or 1	084594	Solid shaft M/B38, 2 ends, 35x70mm
101	0 or 1	087377	Solid shaft M/B38, 25x50mm, special
101	0 or 1	090352	Hollow shaft M/B38, 1.250"
101	0 or 1	086921	Solid shaft M/B38, 1 end, 1.000"x50
101	0 or 1	087363	Solid shaft M/B38, 2 ends, 1.000"x50
101	0 or 1	086497	Solid shaft M/B38, 1 end, 1.375"x70
101	0 or 1	084823	Solid shaft M/B38, 2 ends, 1.375"x70
105	1 or 2	051583	Key A8x7x40 (25x50mm shaft)
105	1 or 2	028941	Key A10x8x56 (35x70mm shaft)
105	1 or 2	443590	Key 1/4x1/4x1-5/8 (1.00x50mm shaft)
105	1 or 2	086654	Key 5/16"x5/16"x2-3/8" (1.375x70mm shaft)
111	0 or 1	129847	Bolt M10x40 (30mm hollow shaft)
111	0 or 1	309338	Bolt m10x35 (splined hollow shaft)
111	0 or 1	108328	Bolt 3/8" -16x1 3/4" (1.250" hollow shaft)

Right Angle Helical-Bevel RHB BB/BF 38			Parts List
Position / No.	Quantity	Part Number	Component Designation
112	0 or 1	051213	Lock washer (30mm & 1.250" hollow shaft)
113	0 or 1	150041	Washer D13x30x6 (30mm hollow shaft)
113	0 or 1	084754	Washer (splined shaft) 11x35x18
113	0 or 1	116693	Washer 11x31.7x6 (1.250" hollow shaft)
115	0 or 1	051283	Retaining ring bore J30x1.2 (30mm hollow shaft)
115	0 or 1	051292	Retaining ring bore J35x1.5 (splined shaft)
115	0 or 1	051287	Retaining ring bore 32x1.2 (1.250" hollow shaft)
118	0 or 1	086379	Plug 1.250" x 10 (30mm hollow shaft)
118	0 or 1	086481	Plug socket head cap bolt (splined hollow shaft)
118	0 or 1	086379	Plug 1.250" x 10 (1.250" hollow shaft)
118	0 or 1	985869	Plug 75x7 (solid shaft single extension)
120	0 or 1	084971	Shrink disc with cap
130	1	048467	Ball Bearing 6009-Z
135	1	504408	Retaining ring bore J75x2.5
140	1	048467	Ball Bearing 6009-Z
141	1	852864	Spacer 46x60x9 (not shown)
146	1	504408	Retaining ring bore J75x2.5
160	1 or 2	504386	Output shaft seal AS 45x75x8 (1)
201	1	366231	Adapter plate (IEC 71-100, Nema 56-180TC) (3)
205	4	504637	Bolt M6x35 DIN 6912
210	8	050810	Bolt m6x18, 8.8 A2F
220	1	083277	Gasket adapter plate-motor, frame size 71-100, 56-180
225	1	083274	Gasket adapter plate-housing
301	1	See Chart	Shank Pinion
305	1	See Chart	Gear
320	0 or 1	085985	Bevel gear pair 3.8 (2)
320	0 or 1	085986	Bevel gear pair 1.522 (2)
331	1	442704	Key B5x5x10
335	1	051271	Retaining ring shaft A15x1
340	0 or 1	084534	Pinion shaft 5.733 (2)
340	0 or 1	084532	Pinion shaft 2.818 (2)
345	0 or 1	084535	Gear 5.733 (2)
345	0 or 1	084533	Gear 2.818 (2)
346	1	975305	Key B14x9x20
351	1	442704	Key B5x5x10
401	1	083868	Oil plug G3/8" DIN908
405	0 or 1	086599	Oil sight glass G3/8" (optional)
406	0 or 1	086631	Sealing ring 17x22x2.1(for sight glass)

Note: Size 38 does not require vent plug.

(1) Hollow shaft & double shaft extension uses qty 2.

(2) See gear chart to determine ratio in use.

(3) Size 180TC clamp collar and 3-pc coupled c-face input assemblies were redesigned in Feb 2005 to mount to 112 adapter plate(#201). Current redesigned assemblies are not interchangeable with original adapter assemblies which mounted to a 100 adapter plate(#201). Use original clamp collar assembly 086836 or 3-pc assembly 086850 on RHB38 for 180TC input (no 112 adpt plate available).



RENEWAL PARTS DATA

Quantis Gear Chart

Helical Bevel Size RHB383

Total Ratio	Input	Bevel	Output		Input Stage			(1) Bevel Stage	Output Gear Set	
					IEC 71/56C 9 MM	IEC 80 10 MM	IEC 90/140TC 12 MM			IEC 100/180TC 16 MM
5.65	1.318	1.522	2.818	PINION	083469	083468	083467	083466	085986	084532
				GEAR	083431	083431	083431	083431	085986	084533
6.22	1.450	1.522	2.818	PINION	083533	083535	083517	083519	085986	084532
				GEAR	083424	083424	083424	083424	085986	084533
7.22	1.684	1.522	2.818	PINION	083463	083462	083460	083459	085986	084532
				GEAR	083417	083417	083417	083417	085986	084533
7.82	1.824	1.522	2.818	PINION	083531	083532	083515	083516	085986	084532
				GEAR	083384	083384	083384	083384	085986	084533
8.85	2.063	1.522	2.818	PINION	083457	083456	083455	083454	085986	084532
				GEAR	083409	083409	083409	083409	085986	084533
9.72	2.267	1.522	2.818	PINION	083529	083530	083525	083374	085986	084532
				GEAR	083378	083378	083378	083378	085986	084533
10.72	2.500	1.522	2.818	PINION	083446	083444	083443	083355	085986	084532
				GEAR	083359	083359	083359	083359	085986	084533
11.50	1.318	1.522	5.733	PINION	083469	083468	083467	083466	085986	084534
				GEAR	083431	083431	083431	083431	085986	084535
12.65	1.450	1.522	5.733	PINION	083533	083535	083517	083519	085986	084534
				GEAR	083424	083424	083424	083424	085986	084535
14.69	1.684	1.522	5.733	PINION	083463	083462	083460	083459	085986	084534
				GEAR	083417	083417	083417	083417	085986	084535
15.91	1.824	1.522	5.733	PINION	083531	083532	083515	083516	085986	084534
				GEAR	083384	083384	083384	083384	085986	084535
17.99	2.063	1.522	5.733	PINION	083457	083456	083455	083454	085986	084534
				GEAR	083409	083409	083409	083409	085986	084535
19.78	2.267	1.522	5.733	PINION	083529	083530	083525	083374	085986	084534
				GEAR	083378	083378	083378	083378	085986	084535
21.81	2.500	1.522	5.733	PINION	083446	083444	083443	083355	085986	084534
				GEAR	083359	083359	083359	083359	085986	084535
24.16	2.769	1.522	5.733	PINION	083528	083513	083514	083352	085986	084534
				GEAR	083357	083357	083357	083357	085986	084535

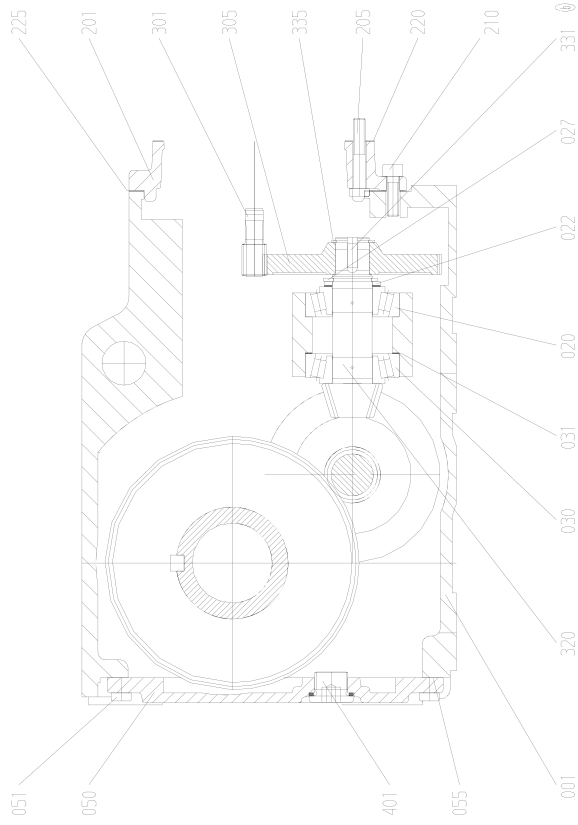
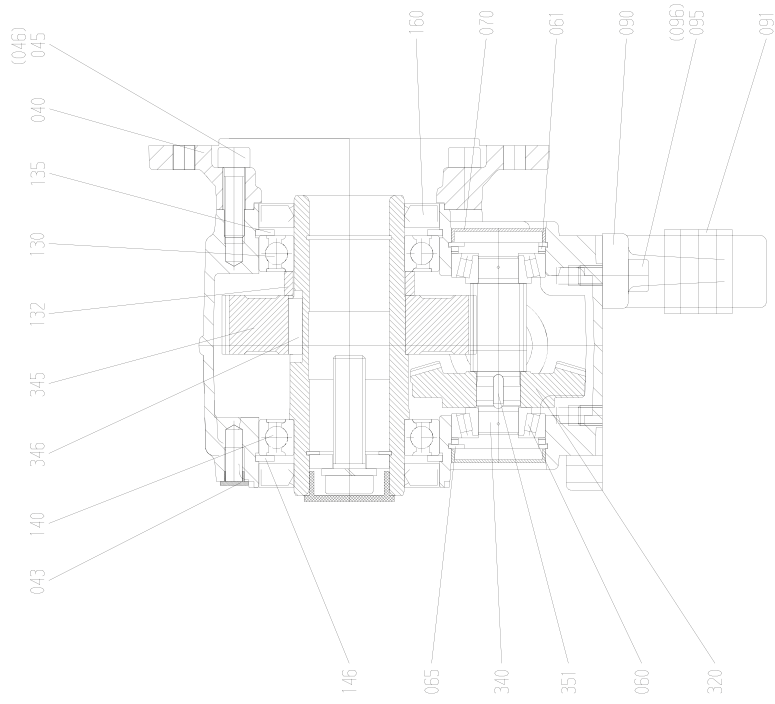


RENEWAL PARTS DATA

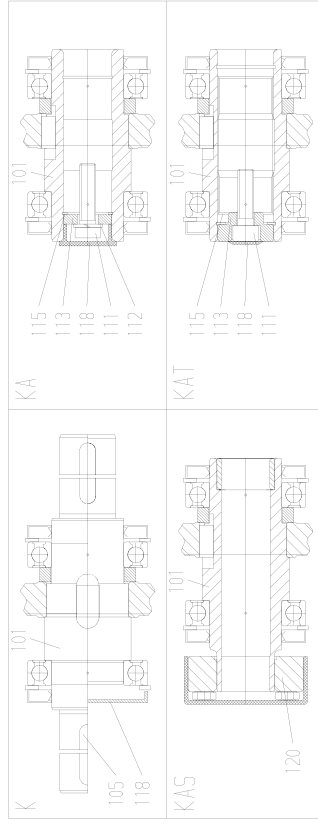
Quantis Gear Chart
Helical Bevel Size RHB383

Total Ratio	Input	Bevel	Output			Input Stage			(1) Bevel Stage	Output Gear Set
						IEC 71/56C 9 MM	IEC 80 10 MM	IEC 90/140TC 12 MM		
26.90	3.083	1.522	5.733	PINION GEAR	083442 083592	083441 083592	083440 083592	083591 083592	085986	084534 084535
28.72	1.318	3.800	5.733	PINION GEAR	083469 083431	083468 083431	083467 083431	083466 083431	085985	084534 084535
31.59	1.450	3.800	5.733	PINION GEAR	083533 083424	083535 083424	083517 083424	083519 083424	085985	084534 084535
36.69	1.684	3.800	5.733	PINION GEAR	083463 083417	083462 083417	083460 083417	083459 083417	085985	084534 084535
39.73	1.824	3.800	5.733	PINION GEAR	083531 083384	083532 083384	083515 083384	083516 083384	085985	084534 084535
44.94	2.063	3.800	5.733	PINION GEAR	083457 083409	083456 083409	083455 083409	083454 083409	085985	084534 084535
49.38	2.267	3.800	5.733	PINION GEAR	083529 083378	083530 083378	083525 083378	083374 083378	085985	084534 084535
54.47	2.500	3.800	5.733	PINION GEAR	083446 083359	083444 083359	083443 083359	083355 083359	085985	084534 084535
60.33	2.769	3.800	5.733	PINION GEAR	083528 083357	083513 083357	083514 083357	083352 083357	085985	084534 084535
67.18	3.083	3.800	5.733	PINION GEAR	083442 083592	083441 083592	083440 083592	083591 083592	085985	084534 084535
77.09	3.538	3.800	5.733	PINION GEAR	083527 083347	083512 083347	083446 083347	083345 083347	085985	084534 084535
85.33	3.917	3.800	5.733	PINION GEAR	083439 083588	083438 083588	083587 083588	083586 083588	085985	084534 084535
97.05	4.455	3.800	5.733	PINION GEAR	083499 083581	083583 083581	083582 083581	083580 083581	085985	084534 084535
110.75	5.083	3.800	5.733	PINION GEAR	083339 083342	083338 083342	083337 083342		085985	084534 084535
124.78	5.727	3.800	5.733	PINION GEAR	083336 083340	083335 083340	083334 083340		085985	084534 084535
139.43	6.400	3.800	5.733	PINION GEAR	083309 083310	083308 083310	083307 083310		085985	084534 084535
159.04	7.300	3.800	5.733	PINION GEAR	083320 083322	083319 083322			085985	084534 084535
179.13	8.222	3.800	5.733	PINION GEAR	083316 083317				085985	084534 084535

(1) Available as gear & pinion set only.



- The respective parts-list is decisive
 - For parts not shown please refer to the general arrangement drawing in accordance to 1880,48 part 3, page 1



DODGE QUANTIS RHB RIGHT ANGLE REDUCER	
TRIPLE REDUCTION HELICAL BEVEL SIZE RHB483	
DRAWING NUMBER 085992	
DODGE	

Right Angle Helical-Bevel RHB BB/BF 48			Parts List
Position / No.	Quantity	Part Number	Component Designation
001	1 or 0	081828	RHB48 foot housing
001	1 or 0	081830	RHB48 flange housing
020	1	085063	Bearing 30204
022	2	619612	Shim 20x28x0.1
022	2	724912	Shim 20x28x0.15
022	1	547530	Washer 20x28x2
027	1	810215	Retaining ring shaft 20x1.75 heavy duty
030	1	085063	Bearing 30204
031	2	982701	Shim 40x47x0.1
031	2	982702	Shim 40x47x0.15
040	1 or 0	081837	Output flange M/B48, A200
045/046	6 or 0	309338	Bolt M10x35-8.8 DIN912 A2F
050	1	090027	Cover plate RHB48, for foot + flange
051	6	050809	Socket head cap bolt M6x16-8.8
055	1	092476	Cover plate gasket
060	2	085063	Bearing 30204
061	4	982701	Shim 40x47x0.1
061	4	982702	Shim 40x47x0.15
061	2	085043	Washer 40x47x2.5
067	2	081979	Retaining ring 47x2 heavy duty
070	2	630420	Plug 47x6.5
090	1 or 0	081835	Torque arm RHB48 machined
091	1 or 0	084919	Rubber bushing 18x34x36x42
095/096	2 or 0	083297	Bolt M10x25 DIN912
101	1 or 0	086531	Hollow shaft M/B48, 35mm, standard
101	1 or 0	084595	Hollow shaft M/B48, 40mm, standard
101	1 or 0	084596	Hollow shaft for shrink disc, 40mm
101	1 or 0	084597	Splined hollow shaft M/B48
101	1 or 0	092385	Hollow shaft Twin Taper Bore (TTB)
101	1 or 0	086411	Output shaft M/B48, solid 1 end, 30x60mm, standard
101	1 or 0	087330	Output shaft M/B48, solid 2 ends, 30x60mm, standard
101	1 or 0	085554	Output shaft M/B48, solid 1 end, 40x80mm, optional
101	1 or 0	084599	Output shaft M/B48, solid 2 ends, 40x80mm, optional
101	1 or 0	084598	Output shaft M/B48, hollow, 1.375", standard
101	1 or 0	086922	Output shaft M/B48, solid 1 end 1.250" x 60mm, standard
101	1 or 0	087364	Output shaft M/B48, solid 2 end, 1.250"x60mm, standard
101	1 or 0	085130	Output shaft M/B48, solid 1 end, 1.625"x60mm, optional
101	1 or 0	085460	Output shaft M/B48, solid 2 ends, 1.625"x60mm, optional
105	1 or 2	051585	Key A8x7x50 (30x60 mm shaft)
105	1 or 2	048542	Key A12x8x70 (40x80 mm shaft)
105	1 or 2	443591	Key 1/4x1/4x1-7/8 (1.250" & 1.625" shaft)
111	1 or 0	050858	Socket head cap bolt M12x50-8.8 (35mm hollow shaft)
111	1 or 0	085050	Socket head cap bolt M16x60 (40mm hollow shaft)
111	1 or 0	050857	Socket head cap bolt M12x45 (splined hollow shaft)
111	1 or 0	108328	Hex head bolt 3/8"-16x1 3/4" (1.375" hollow shaft)

Right Angle Helical-Bevel RHB BB/BF 48			Parts List
Position / No.	Quantity	Part Number	Component Designation
112	1 or 0	051214	Lock washer B12 (35mm hollow shaft)
112	1 or 0	051217	Lock washer B16 (40mm hollow shaft)
112	1 or 0	051213	Lock washer B10 (1.375" hollow shaft)
113	1 or 0	122061	Washer D13x35x6 (35mm hollow shaft)
113	1 or 0	150042	Washer D17x40x7 (40mm hollow shaft)
113	1 or 0	084748	Washer 13.5x40x20 (splined shaft)
113	1 or 0	123425	Washer 10.5x34.9x6 (1.375" hollow shaft)
115	1 or 0	051292	Retaining ring 35x1.5 (35mm & 1.375" hollow shaft)
115	1 or 0	051298	Retaining ring bore 40x1.75 (40mm hollow shaft & splined)
118	1 or 0	851329	Plug 35.6x12 (35mm & 1.375" hollow shaft)
118	1 or 0	851337	Plug 40.7x12 (40mm hollow shaft)
118	1 or 0	086482	Plug SW10 (splined shaft)
118	1 or 0	691526	Plug 90x12 (single extrn solid shaft)
120	1 or 0	084973	Shrink disc with cap
130	1	728543	Ball bearing 6011-Z
135	1	278704	Internal retaining ring boreJ90x3.0
140	1	728543	Ball bearing 6011-Z
141	1	085641	Spacer 56x65x11.8 (not shown)
146	1	278704	Internal retaining ring boreJ90x3.0
160	1 or 2	085046	Output shaft seal AS 55x90x10 (1)
201	1	366231	Adapter plate (IEC 71-100, Nema 56-180TC) (3)
205	4	504637	Bolt M6x35 DIN 6912
210	8	050810	Bolt M6x18, 8.8 A2F
220	1	083277	Gasket adapter plate-motor, frame size 71-100, 56-180
225	1	083274	Gasket adapter plate-housing
301	1	See Chart	Shank Pinion
305	1	See Chart	Gear
320	1 or 0	085987	Bevel gear pair RHB48, 3.364 (2)
320	1 or 0	085988	Bevel gear pair RHB48, 1.391 (2)
331	1	441775	Key B5x5x12 GEH
335	1	278708	External retaining ring 17x1
340	1 or 0	084551	Pinion shaft, 5.4 (2)
340	1 or 0	084548	Pinion shaft, 3.263 (2)
345	1 or 0	084552	Gear 5.4 (2)
345	1 or 0	084550	Gear 3.263 (2)
346	1	441872	Key B8x7x28
351	1	441775	Key B5x5x12
401	1	083868	Oil plug G3/8" DIN908
405	1 or 0	086599	Oil sight glass G3/8" (Not shown)
406	1 or 0	086631	Sealing ring 17x22x2.1 (Not shown)
	1 or 0	186468	Breather G3/8" PA6 SW - Standard (Not Shown)
	1 or 0	094630	Washdown Breather Kit - Optional

(1) Hollow shaft & double shaft extension uses two seals.

(2) See gear chart to determine ratio in use.

(3) Size 180TC clamp collar and 3-pc coupled c-face input assemblies were redesigned in Feb 2005 to mount to 112 adapter plate(#201). Current redesigned assemblies are not interchangeable with original adapter assemblies which mounted to a 100 adapter plate(#201). Use original clamp collar assembly 086836 or 3-pc assembly 086850 on RHB48 for 180TC input (no 112 adpt plate available).



RENEWAL PARTS DATA

Quantis Gear Chart
Helical Bevel Size RHB483

Total Ratio	Input	Bevel	Output		IEC 71/56C 9 MM	Input Stage			(1) Bevel Stage	Output Gear Set
						IEC 80 10 MM	IEC 90/140TC 12 MM	IEC 100/180TC 16 MM		
7.22	1.591	1.391	3.263	PINION	083469	083468	083467	083466	085988	084548
				GEAR	083432	083432	083432	084550		
8.40	1.850	1.391	3.263	PINION	083533	083535	083517	083519	085988	084548
				GEAR	083425	083425	083425	084550		
9.32	2.053	1.391	3.263	PINION	083463	083462	083460	083459	085988	084548
				GEAR	083418	083418	083418	084550		
10.15	2.235	1.391	3.263	PINION	083531	083532	083515	083516	085988	084548
				GEAR	083385	083385	083385	084550		
11.35	2.500	1.391	3.263	PINION	083457	083456	083455	083454	085988	084548
				GEAR	083411	083411	083411	084550		
11.95	1.591	1.391	5.400	PINION	083469	083468	083467	083466	085988	084551
				GEAR	083432	083432	083432	084552		
13.90	1.850	1.391	5.400	PINION	083533	083535	083517	083519	085988	084551
				GEAR	083425	083425	083425	084552		
15.42	2.053	1.391	5.400	PINION	083463	083462	083460	083459	085988	084551
				GEAR	083418	083418	083418	084552		
16.79	2.235	1.391	5.400	PINION	083531	083532	083515	083516	085988	084551
				GEAR	083385	083385	083385	084552		
18.78	2.500	1.391	5.400	PINION	083457	083456	083455	083454	085988	084551
				GEAR	083411	083411	083411	084552		
20.54	2.733	1.391	5.400	PINION	083529	083530	083525	083374	085988	084551
				GEAR	083379	083379	083379	084552		
22.54	3.000	1.391	5.400	PINION	083446	083444	083343	083355	085988	084551
				GEAR	083360	083360	083360	084552		
24.85	3.308	1.391	5.400	PINION	083528	083513	083514	083352	085988	084551
				GEAR	083358	083358	083358	084552		
27.55	3.667	1.391	5.400	PINION	083442	083441	083440	083591	085988	084551
				GEAR	083315	083315	083315	084552		
28.90	1.591	3.364	5.400	PINION	083469	083468	083467	083466	085987	084551
				GEAR	083432	083432	083432	084552		



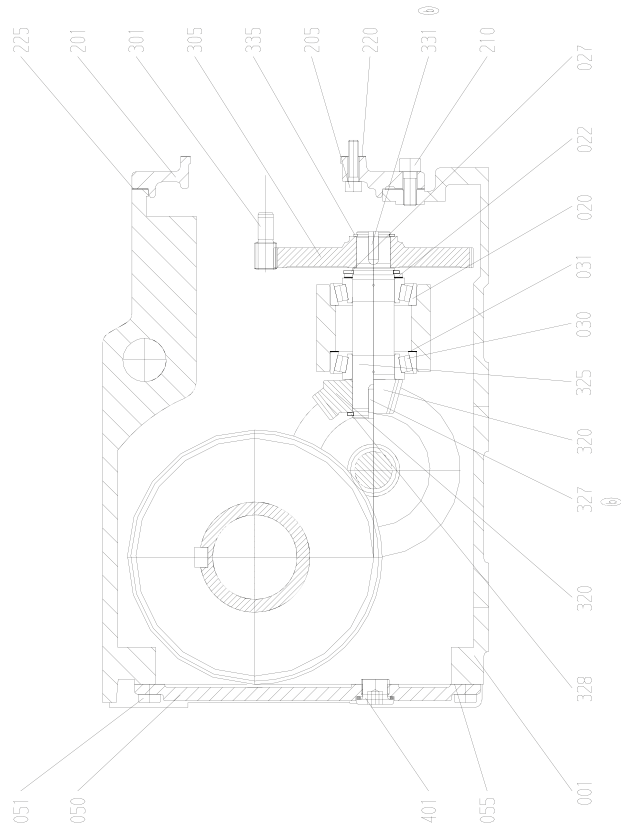
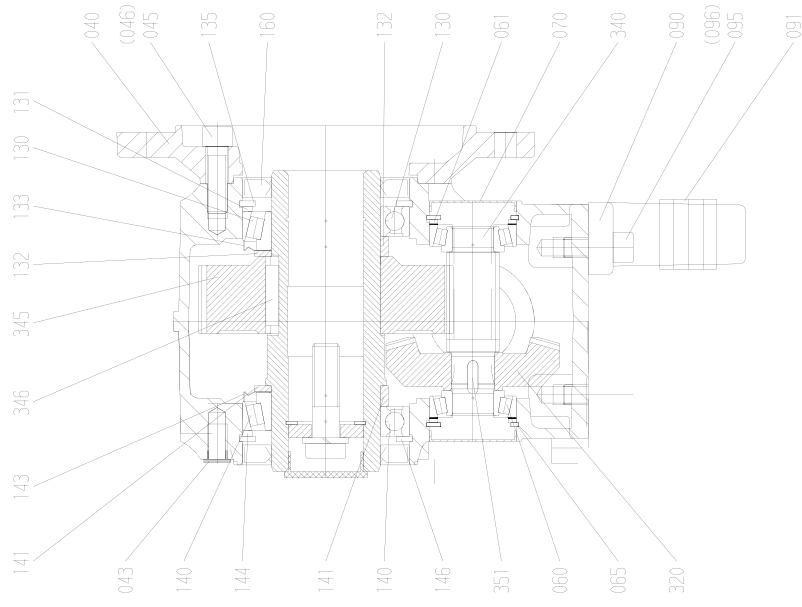
RENEWAL PARTS DATA

Quantis Gear Chart

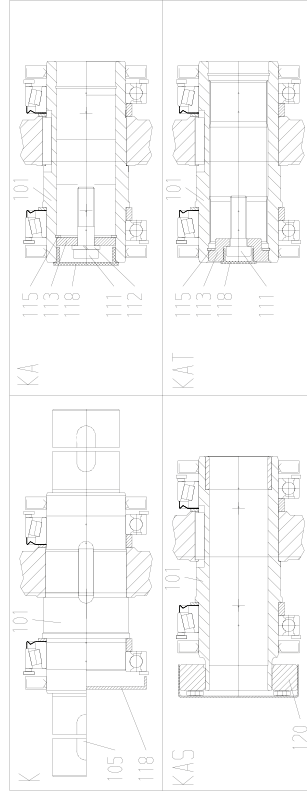
Helical Bevel Size RHB483

Total Ratio	Input	Bevel	Output		IEC 71/56C 9 MM	Input Stage			IEC 100/180TC 16 MM	Bevel Stage	Output Gear Set
						IEC 80 10 MM	IEC 90/140TC 12 MM	IEC 100/180TC 16 MM			
33.60	1.850	3.364	5.400	PINION GEAR	083533 083425	083535 083425	083517 083425	083519 083425	085987	084551 084552	
37.28	2.053	3.364	5.400	PINION GEAR	083463 083418	083462 083418	083460 083418	083459 083418	085987	084551 084552	
40.60	2.235	3.364	5.400	PINION GEAR	083531 083385	083532 083385	083515 083385	083516 083385	085987	084551 084552	
45.41	2.500	3.364	5.400	PINION GEAR	083457 083411	083456 083411	083455 083411	083454 083411	085987	084551 084552	
49.65	2.733	3.364	5.400	PINION GEAR	083529 083379	083530 083379	083525 083379	083374 083379	085987	084551 084552	
54.49	3.000	3.364	5.400	PINION GEAR	083446 083360	083444 083360	083443 083360	083355 083360	085987	084551 084552	
60.08	3.308	3.364	5.400	PINION GEAR	083528 083358	083513 083358	083514 083358	083352 083358	085987	084551 084552	
66.60	3.667	3.364	5.400	PINION GEAR	083442 083315	083441 083315	083440 083315	083591 083315	085987	084551 084552	
75.45	4.154	3.364	5.400	PINION GEAR	083527 083349	083512 083349	083346 083349	083345 083349	085987	084551 084552	
83.25	4.583	3.364	5.400	PINION GEAR	083349 083314	083438 083314	083587 083314	083586 083314	085987	084551 084552	
94.12	5.182	3.364	5.400	PINION GEAR	083499 083312	083583 083312	083582 083312	083580 083312	085987	084551 084552	
107.47	5.917	3.364	5.400	PINION GEAR	083339 083343	083338 083343	083337 083343		085987	084551 084552	
122.19	6.727	3.364	5.400	PINION GEAR	083336 083341	083335 083341	083334 083341		085987	084551 084552	
130.78	7.200	3.364	5.400	PINION GEAR	083309 083311	083308 083311	083307 083311		085987	084551 084552	
150.76	8.300	3.364	5.400	PINION GEAR	083320 083323	083319 083323			085987	084551 084552	
169.53	9.333	3.364	5.400	PINION GEAR	083316 083318				085987	084551 084552	

(1) Available as set only.



- The respective parts-list is decisive
 - For parts not shown please refer to
 the general arrangement drawing
 in accordance to 1050.46 part 3, page 1



DODGE QUANTIS RHB RIGHT ANGLE REDUCER	
TRIPLE REDUCTION-HELICAL-BEVEL SIZE RHB683	
DRAWING NUMBER 085993	
DODGE	

Right Angle Helical-Bevel RHB BB/BF 68			Parts List
Position / No.	Quantity	Part Number	Component Designation
001	0 or 1	081848	RHB68 foot housing
001	0 or 1	081851	RHB68 flange housing
020	0 or 1	085061	Taper roller bearing (foot & flange mounted unit)
022	2	071750	Shim 25x35x0.1
022	2	085524	Shim 25x35x0.15
022	1	093799	Washer 25x35x2.0
027	1	112599	Retaining ring shaft 25x2
030	1	085061	Taper roller bearing
031	2	053479	Shim 42x52x0.1
031	2	696927	Shim 42x52x0.15
040	0 or 1	081857	Output flange M/B68, A250
045	0 or 6	050856	Socket head cap bolt M12x40-8.8 DIN912 A2F
050	1	090031	Cover plate RHB68, for foot + flange
051	10	021358	Socket head cap bolt M8x16-8.8 A2F
055	1	092477	Cover plate gasket
060	2	085061	Taper roller bearing
061	4	053479	Shim 42x52x0.1
061	4	696927	Shim 42x52x0.15
061	2	093842	Washer 42x52x2.5
067	2	081978	Retaining ring bore 52x2.5
070	2	439126	Plug 52x6.5
090	0 or 1	081855	Torque arm RHB68, machined
091	0 or 1	084919	Rubber bushing 18x34x36x42
095/096	0 or 2	174820	Socket head cap bolt M12x35 DIN912
101	0 or 1	086532	Output shaft M/B68, hollow, 40mm, standard
101	0 or 1	084600	Output shaft M/B68, hollow, 45mm, optional
101	0 or 1	084601	Output shaft M/B68, shrink disc, hollow, 50mm
101	0 or 1	084602	Output shaft M/B68, splined, N50x2x30x24
101	0 or 1	092483	Output shaft Twin Taper Bore (TTB)
101	0 or 1	086412	Output shaft M/B68, solid 1 end, 40x80mm, standard
101	0 or 1	087331	Output shaft M/B68, solid 2 ends, 40x80mm, standard
101	0 or 1	085555	Output shaft M/B68, solid 1 end, 50x100mm, optional
101	0 or 1	084605	Output shaft M/B68, solid 2 ends, 50x100mm, optional
101	0 or 1	084604	Output shaft M/B68, hollow, 1.500", standard
101	0 or 1	087371	Output shaft M/B68, hollow, 1.438", optional
101	0 or 1	086924	Output shaft M/B68, solid 1 end, 1.625"x80mm, standard
101	0 or 1	087365	Output shaft M/B68, solid 2 ends, 1.625"x80mm, standard
101	0 or 1	085461	Output shaft M/B68, solid 1 end, 2.000"x100mm, optional
101	0 or 1	085462	Output shaft M/B68, solid 2 ends, 2.000"x100mm, optional
105	1 or 2	048542	Key A12x8x70 (40x80mm shaft)
105	1 or 2	051616	Key A14x9x80 (50x100mm shaft)
105	1 or 2	443593	Key 3/8x3/8x2-5/8 (1.625"x80mm shaft)
105	1 or 2	443279	Key 1/2x1/2x3-1/4 (2.000"x100mm shaft)
111	0 or 1	085050	Socket head cap bolt (40mm & 45mm hollow shaft)
111	0 or 1	021746	Socket head cap bolt (splined hollow shaft)
111	0 or 1	117333	Hex head bolt (1.500" hollow shaft)
111	0 or 1	108328	Bolt (1.438" hollow shaft)
112	0 or 1	051217	Lock washer (40 & 45mm & 1.50"hollow shaft)
112	0 or 1	051213	Lock washer (1.438" hollow shaft)
113	0 or 1	150042	Washer D17x40x7 (40mm hollow shaft)
113	0 or 1	122062	Washer D17x45x8 (45mm hollow shaft)
113	0 or 1	084749	Washer 17.5x55x23 (spline shaft)
113	0 or 1	116694	Washer 17.5x38.1x6 (1.500" hollow shaft)
113	0 or 1	122061	Washer (1.438" hollow shaft)

Right Angle Helical-Bevel RHB BB/BF 68			Parts List
Position / No.	Quantity	Part Number	Component Designation
115	0 or 1	051298	Retaining ring bore 40x1.75 (40mm hollow shaft)
115	0 or 1	051302	Retaining ring bore 45x1.75 (45mm hollow shaft)
115	0 or 1	051307	Retaining ring bore 55x2 (splined hollow shaft)
115	0 or 1	755516	Retaining ring bore 38x1.5 (1.500" hollow shaft)
115	0 or 1	051294	Retaining ring int (1.438" hollow shaft)
118	0 or 1	851337	Plug 40.7x12 (40mm & 1.5000" hollow shaft)
118	0 or 1	851345	Plug D45 DA50 H12 PE (45mm hollow shaft)
118	0 or 1	086483	Plug SW14 (splined hollow shaft)
118	0 or 1	866695	Plug 100x12 (solid shaft single extension)
118	0 or 1	052386	Plug (1.438" hollow shaft)
120	0 or 1	084974	Shrink disc with cap
130	0 or 1	511331	Lager 6013-Z (use for hollow output units)
130	0 or 1	085062	Taper roller bearing 32013X (use for solid output units)
131	1	989644	Washer 88x100x3.5
132	0 or 1	087468	Spacer 66x75x12.3 (hollow output units)
132	0 or 1	654019	Washer 65x85x3.5 (solid output units)
133	1	085519	Nilos ring 32013XAV, DIN720
135	1	278717	Internal retaining ring(SG-Bohr J100x3.0)
140	0 or 1	511331	Bearing 6013-Z (use for holow output units)
140	0 or 1	085062	Taper roller bearing 32013X (use for solid output units)
141	0 or 1	087468	Spacer 66x75x12.3 (hollow output units)
141	0 or 1	654019	Washer 65x85x3.5 (solid output units)
143	1	085519	Nilos ring
144	1	989644	Washer 88x100x3.5
144	4	989647	Shim 88x100x0.1
144	4	989648	Shim 88x100x0.15
146	1	278717	Internal retaining ring(SG-Bohr J100x3.0)
160	1 or 2	511307	Output shaft seal AS65x100x10 (1)
201	0 or 1	366233	Adapter plate IEC 71-100, Nema 56-140 (3)
201	0 or 1	082418	Adapter plate IEC 112 - 180TC
205	4	093839	Socket head cap bolt (IEC 71-100, Nema 56-140) (3)
205	4	050831	Socket head cap bolt IEC 112 - 180TC
210	8	050826	Socket head cap bolt M8x20-8.8 DIN912 A2F
220	0 or 1	083277	Gasket adapter plate-motor, frame size 71-100, 56-140 (3)
220	0 or 1	083278	Gasket adapter plate-motor, frame size 112 - 180TC
225	1	083273	Gasket 175x160x0.5
301	1	See Chart	Shank Pinion
305	1	See Chart	Gear
320	0 or 1	085989	Bevel gear pair RHB68, 3.545 (2)
320	0 or 1	085990	Bevel gear pair RHB68, 1.292 (2)
325	0 or 1	084642	Shaft for bevel pinion 1.292 (2)
327	1	441791	Key B6x6x14
328	1	112599	Retaining ring shaft 25x2
331	1	441791	Key B6x6x14
335	1	278710	External 20 (retaining ring shaft 20x1.2)
340	0 or 1	084555	Pinion shaft, 6.083 (2)
340	0 or 1	084553	Pinion shaft, 2.731 (2)
345	0 or 1	084556	Gear, 6.083 (2)
345	0 or 1	084554	Gear, 2.731 (2)
346	1	441902	Key B12x8x36
351	1	441791	Key B6x6x14
401	1	083868	Oil plug G3/8" DIN908
405	0 or 1	086599	Oil sight glass G3/8" (optional)
406	0 or 1	086631	Sealing ring 17x22x2.1 (optional)
	1	186468	Breather G3/8" PA6 SW

(1) Hollow shaft & double shaft extension uses two seals.

(2) See gear chart to determine ratio in use.

(3) Also used for 180TC input until design change Feb 2005. At that time 180TC changed to use 112 adapter plate (#201) & hardware.



RENEWAL PARTS DATA

Quantis Gear Chart
Helical Bevel Size RHB683

Total Ratio	Input	Bevel	Output	Pinion Gear	IEC 71/56C 9 MM	Input Stage			IEC 100/180TC 16 MM	IEC 112 18 MM	(1) Bevel Stage	Output Gear Set
						IEC 80 10 MM	IEC 90/140TC 12 MM	IEC 100/180TC 16 MM				
5.36	1.520	1.292	2.731	PINION GEAR		083506	083505	083504	083503	085990 (2)	084553	
						083511	083511	083511	083511		084554	
6.44	1.826	1.292	2.731	PINION GEAR		083537	083522	083523	083524	085990 (2)	084553	
						083479	083479	083479	083479		084554	
7.58	2.150	1.292	2.731	PINION GEAR		083536	083520	083521	083473	085990 (2)	084553	
						083474	083474	083474	083474		084554	
8.50	2.409	1.292	2.731	PINION GEAR	083469	083468	083467	083466	083465	085990 (2)	084553	
					083433	083433	083433	083433	083433		084554	
9.52	2.700	1.292	2.731	PINION GEAR	083533	083535	083517	083519	083436	085990 (2)	084553	
					083426	083426	083426	083426	083426		084554	
10.40	2.947	1.292	2.731	PINION GEAR	083463	083462	083460	083459	083458	085990 (2)	084553	
					083419	083419	083419	083419	083419		084554	
11.41	3.235	1.292	2.731	PINION GEAR	083531	083532	083515	083516	083377	085990 (2)	084553	
					083386	083386	083386	083386	083386		084554	
11.94	1.520	1.292	6.083	PINION GEAR		083506	083505	083504	083503	085990 (2)	084555	
						083511	083511	083511	083511		084556	
14.35	1.826	1.292	6.083	PINION GEAR		083537	083522	083523	083524	085990 (2)	084555	
						083479	083479	083479	083479		084556	
16.89	2.150	1.292	6.083	PINION GEAR		083536	083520	083521	083473	085990 (2)	084555	
						083474	083474	083474	083474		084556	
18.93	2.409	1.292	6.083	PINION GEAR	083469	083468	083467	083466	083465	085990 (2)	084555	
					083433	083433	083433	083433	083433		084556	
21.22	2.700	1.292	6.083	PINION GEAR	083533	083535	083517	083519	083436	085990 (2)	084555	
					083426	083426	083426	083426	083426		084556	
23.16	2.947	1.292	6.083	PINION GEAR	083463	083462	083460	083459	083458	085990 (2)	084555	
					083419	083419	083419	083419	083419		084556	
25.42	3.235	1.292	6.083	PINION GEAR	083531	083532	083515	083516	083377	085990 (2)	084555	
					083386	083386	083386	083386	083386		084556	
27.99	3.563	1.292	6.083	PINION GEAR	083457	083456	083455	083454	083408	085990 (2)	084555	
					083412	083412	083412	083412	083412		084556	
30.38	3.867	1.292	6.083	PINION GEAR	083529	083530	083525	083374	083373	085990 (2)	084555	
					083381	083381	083381	083381	083381		084556	
32.78	1.520	3.545	6.083	PINION GEAR		083506	083505	083504	083503	085989	084555	
						083511	083511	083511	083511		084556	
39.39	1.826	3.545	6.083	PINION GEAR		083537	083522	083523	083524	085989	084555	
						083479	083479	083479	083479		084556	



RENEWAL PARTS DATA

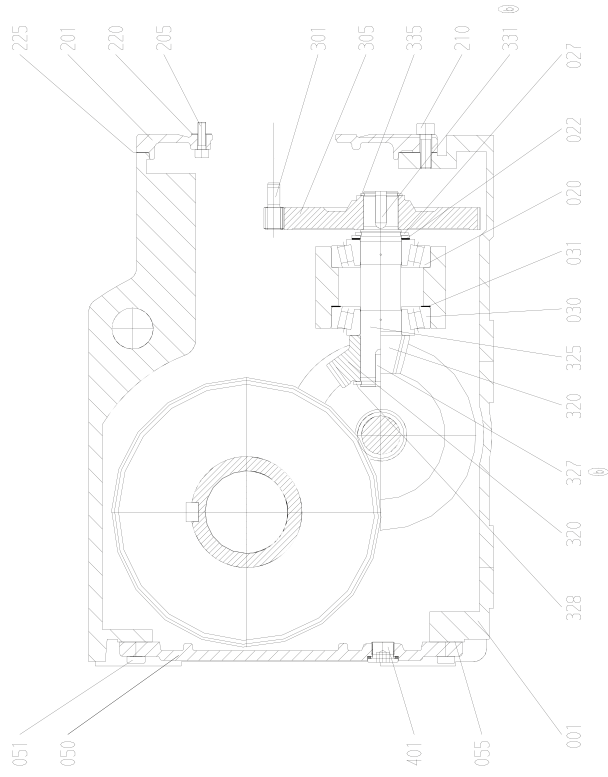
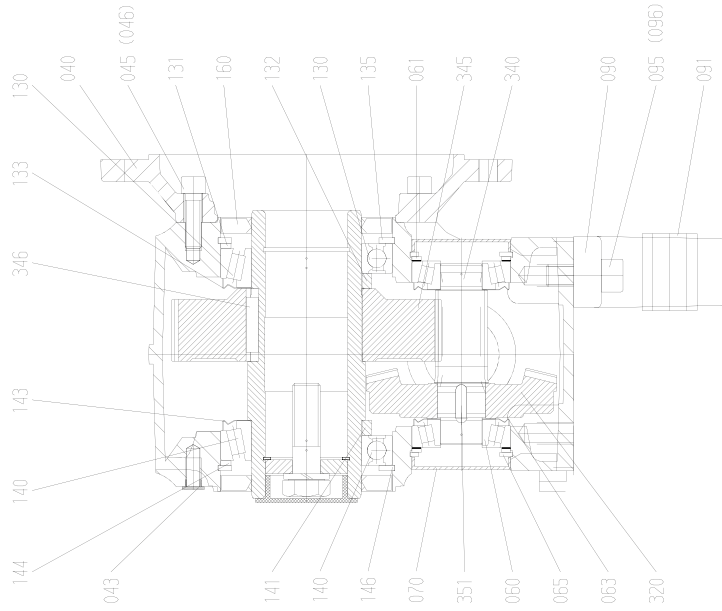
Quantis Gear Chart

Helical Bevel Size RHB683

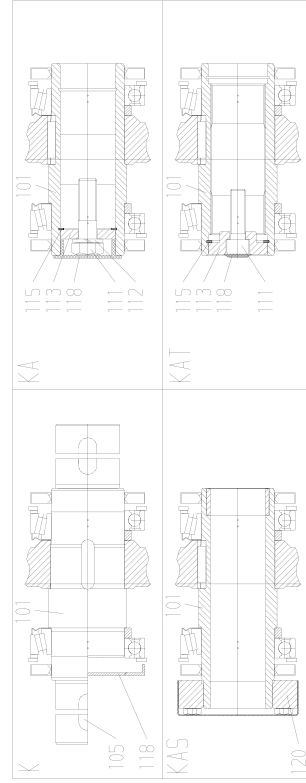
Total Ratio	Input	Bevel	Output		IEC 71/56C 9 MM	IEC 80 10 MM	Input Stage			IEC 112 18 MM	(1) Bevel Stage	Output Gear Set
							IEC 90/140TC 12 MM	IEC 100/180TC 16 MM	IEC 110/180TC 18 MM			
46.37	2.150	3.545	6.083	PINION GEAR		083536	083520	083521		085989	084555	
						083474	083474	083474			084556	
51.96	2.409	3.545	6.083	PINION GEAR	083469	083468	083467	083466		085989	084555	
					083433	083433	083433	083433			084556	
58.23	2.700	3.545	6.083	PINION GEAR	083533	083535	083517	083519		085989	084555	
					083426	083426	083426	083426			084556	
63.57	2.947	3.545	6.083	PINION GEAR	083463	083462	083460	083459		085989	084555	
					083419	083419	083419	083419			084556	
69.78	3.235	3.545	6.083	PINION GEAR	083531	083532	083515	083516		085989	084555	
					083386	083386	083386	083386			084556	
76.84	3.563	3.545	6.083	PINION GEAR	083457	083456	083455	083854		085989	084555	
					083412	083412	083412	083412			084556	
83.40	3.867	3.545	6.083	PINION GEAR	083529	083530	083525	083374		085989	084555	
					083381	083381	083381	083381			084556	
90.89	4.214	3.545	6.083	PINION GEAR	083446	083444	083443			085989	084555	
					083370	083370	083370				084556	
99.55	4.615	3.545	6.083	PINION GEAR	083528	083513	083514			085989	084555	
					083369	083369	083369				084556	
109.64	5.083	3.545	6.083	PINION GEAR	083442	083441	083440			085989	084555	
					083331	083331	083331				084556	
126.09	5.846	3.545	6.083	PINION GEAR	083527	083512	083346			085989	084555	
					083368	083368	083368				084556	
136.60	6.333	3.545	6.083	PINION GEAR	083439	083438				085989	084555	
					083365	083365					084556	
150.98	7.000	3.545	6.083	PINION GEAR	083499	083583				085989	084555	
					083363	083363					084556	
176.14	8.167	3.545	6.083	PINION GEAR	083339	083338				085989	084555	
					083367	083367					084556	
196.07	9.091	3.545	6.083	PINION GEAR	083336	083335				085989	084555	
					083366	083366					084556	
215.68	10.000	3.545	6.083	PINION GEAR	083309	083308				085989	084555	
					083362	083362					084556	
243.72	11.300	3.545	6.083	PINION GEAR	083320	083319				085989	084555	
					083361	083361					084556	

(1) Sold as set only.

(2) Shell style pinion. For pinion shaft also order p/n 084642.



- The respective parts-list is decisive
 - For parts not shown please refer to
 the general arrangement drawing
 in accordance to 0380.48 part 3, page 1



DODGE QUANTIS RHB RIGHT ANGLE REDUCER	
TRIPLE REDUCTION HELICAL BEVEL SIZE RHB863	
DODGE	
DRAWING NUMBER 085994	

Right Angle Helical-Bevel RHB BB/BF 88			Parts List
Position / No.	Quantity	Part Number	Component Designation
001	1 or 0	367510	RHB88 foot housing
001	1 or 0	081865	RHB88 flange housing
020	1	698512	Taper roller bearing 30306
022	2	053444	Shim 30x42x0.1
022	2	085024	Shim 30x42x0.15
022	1	051810	Washer 30x42x2.5
027	1	982956	Retaining ring 30x2
030	1	698512	Taper roller bearing 30306
031	2	152568	Shim 59x72x0.1
031	2	085025	Shim 59x72x0.15
040	1 or 0	081872	Output flange M/B88, A300, machined
045	6 or 0	050856	Socket head cap bolt M12.40-8.8, DIN912, A2F
050	1	090035	Cover plate RHB88, for foot + flange, machined
051	10	050827	Socket head cap bolt M8x20-8.8, DIN6912, A2F
055	1	092479	Cover plate gasket
060	2	698512	Taper roller bearing 30306
061	4	152568	Shim 59x72x0.1
061	4	085025	Shim 59x72x0.15
061	2	154727	Shim 59x72x0.3 DIN988
061	2	152566	Washer 59x72x3
067	2	083575	Retaining ring bore 72x3
070	2	517933	Plug 72x9
090	1 or 0	081870	Torque arm RHB88, machined
091	1 or 0	738611	Rubber bushing 25x40x50x56
095	2 or 0	141193	Socket head cap bolt M16x45 DIN912
101	1 or 0	086533	Output shaft M/B88, hollow, 50mm, standard
101	1 or 0	084606	Output shaft M/B88, hollow, 60mm, optional
101	1 or 0	084607	Output shaft M/B88, shrink disc, hollow, 60 mm
101	1 or 0	084608	Output shaft M/B88, splined, N60x2x30x28
101	1 or 0	092401	Output shaft, hollow Twin Taper Bore (TTB)
101	1 or 0	086413	Output shaft M/B88, solid 1 end, 50x100mm, standard
101	1 or 0	087332	Output shaft M/B88, solid 2 ends, 50x100mm, standard
101	1 or 0	085556	Output shaft M/B88, solid 1 end, 70x140mm, optional
101	1 or 0	084609	Output shaft M/B88, hollow, 2.000", standard
101	1 or 0	084610	Output shaft M/B88, solid 2 ends, 70x140mm, optional
101	1 or 0	087372	Output shaft M/B88, hollow, 1.938", standard
101	1 or 0	086925	Output shaft M/B88, solid 1 end, 2.000"x100mm, standard
101	1 or 0	087366	Output shaft M/B88, solid 2 ends, 2.00"x100mm, standard
101	1 or 0	085463	Output shaft M/B88, solid 1 end, 2.750"x140mm, optional
101	1 or 0	085464	Output shaft M/B88, solid 2 ends, 2.750"x140mm, optional
105	1 or 2	051616	Key A14x9x80 (50x100mm solid shaft)
105	1 or 2	652334	Key A20x12x110 (70x140mm solid shaft)
105	1 or 2	443279	Key 1/2x1/2x3-1/4 (2.000"x100mm solid shaft)
105	1 or 2	443594	Key 5/8x5/8x4-9/16 (2.750x140mm solid shaft)
111	1 or 0	085050	Socket head cap bolt (50mm hollow shaft)
111	1 or 0	050784	Socket head cap bolt (60mm hollow shaft)
111	1 or 0	021746	Socket head cap bolt (splined hollow shaft)
111	1 or 0	093854	Bolt 3/4" - 10x2-23/64" (2.000" hollow shaft)
111	1 or 0	117333	5/8-11 x 2-1/4" SHCS UNC 8.8 (1.9375" hollow shaft)
112	1 or 0	051217	Lock washer B16 A2F (50mm & 1.9375" hollow shaft)
112	1 or 0	681407	Lock washer B20 (60mm & 2.000" hollow shaft)
113	1 or 0	122063	Washer D17x50x10 (50mm hollow shaft)
113	1 or 0	122065	Washer D21x60x10 (60mm hollow shaft)
113	1 or 0	084750	Washer 17.5x65x25 (spline shaft)
113	1 or 0	123426	Washer D21x50.8x10 (2.000" hollow shaft)
113	1 or 0	086473	Washer D17.5x49x10 (1.938 hollow shaft)
115	1 or 0	051305	Retaining ring bore 50x2 (50mm & 1.9375" hollow shaft)

Right Angle Helical-Bevel RHB BB/BF 88			Parts List
Position / No.	Quantity	Part Number	Component Designation
115	1 or 0	051311	Retaining ring bore 60x2 (60mm hollow shaft)
115	1 or 0	086380	Retaining ring bore 65x2.5 (splined hollow shaft)
118	1 or 0	851353	Plug D50.5 (50mm, 1.9375" & 2.000" hollow shaft)
118	1 or 0	086383	Plug 59.6x18 (60mm hollow shaft)
118	1 or 0	086483	Plug SW14 (splined hollow shaft)
118	1 or 0	085712	Plug 125x12 (solid shaft single extension)
120	1 or 0	084975	Shrink disc with cap
130	1 or 0	085059	Ball bearing 6016-Z (use for hollow output units)
130	1 or 0	085060	Taper roller bearing 32016X (use for solid output units)
131	1 or 0	085042	Washer 110x125x3.5 (use for solid output units)
132	1 or 0	085517	Bearing spacer (use for hollow output units)
133	1 or 0	085520	Nilos ring 32016XAV (use for solid output units)
135	1	085052	Retaining ring bore 125x4
140	1 or 0	085059	Ball bearing 6016-Z (use for hollow output units)
140	1 or 0	085060	Taper roller bearing 32016X (use for solid output units)
141	1 or 0	085517	Bearing spacer (use for hollow output units)
143	1 or 0	085520	Nilos ring 32016XAV (use for solid output units)
144	1 or 0	085042	Washer 110x125x3.5 (use for solid output units)
144	4 or 0	085021	Shim 110x125x0.1 (use for solid output units)
144	4 or 0	085023	Shim 110x125x0.15 (use for solid output units)
146	1 or 0	085052	Retaining ring bore 125x4 (use for solid output units)
160	1 or 2	085048	Output shaft seal M/B88, AS 80x125x12 (1)
201	1 or 0	082522	Adapter plate RHB88, IEC 71-100, 56-140 (3)
201	1 or 0	082420	Adapter plate RHB88, IEC 112 - 180TC
201	1 or 0	082428	Adapter plate RHB88, IEC 132, Nema 210TC
205	1 or 0	050810	Socket head cap bolt 71-100, 56-140 (3)
205	1 or 0	093853	Socket head cap bolt M8x25 IEC112 - 180TC
205	1 or 0	129854	Socket head cap bolt IEC132, Nema 210
210	8	093853	Socket head cap bolt M8x25, DIN6912, 8.8 A2F
220	1 or 0	083277	Gasket adapter plate-motor, frame size 71-100, 56-140 (3)
220	1 or 0	083278	Gasket adapter plate-motor, frame size 112 - 180TC
220	1 or 0	083279	Gasket IEC 132, Nema 210
225	1	082519	Gasket , 219x200x0.5
301	1	See Chart	Shank Pinion
305	1	See Chart	Gear
320	1 or 0	085999	Bevel gear pair RHB88, 4.111 (2)
320	1 or 0	086000	Bevel gear pair RHB88, 1.391 (2)
325	1 or 0	084643	Bevel Pinion Shaft, 1.391 (2)
327	1	051574	Key B8x7x20
328	1	982956	Retaining ring 30 x2
331	1	051574	Key B8x7x20
335	1	278712	External retaining ring 25x1.2)
340	1 or 0	084569	Pinion shaft, 5.938 (2)
340	1 or 0	084567	Pinion shaft, 2.828 (2)
345	1 or 0	084570	Gear, 5.938 (2)
345	1 or 0	084568	Gear, 2.828 (2)
346	1	441929	Key B14x9x40
351	1	051574	Key B8x7x20
401	1	083868	Oil plug G3/8" DIN908
405	1 or 0	086599	Oil sight glass G3/8" (optional)
406	1 or 0	086631	Sealing ring 17x22x2.1 (optional)
	1 or 0	186468	Breather G3/8" PA6 SW - Standard (Not Shown)
	1 or 0	094630	Washdown Breather Kit - Optional

(1) Hollow shaft & double shaft extension uses qty 2.

(2) See gear chart to determine ratio in use.

(3) Also used for 180TC input until design change Feb 2005. At that time 180TC changed to use 112 adpt plate (#201) & hardware.



RENEWAL PARTS DATA

Quantis Gear Chart

Helical Bevel Size RHB883

Total Ratio	Input	Bevel	Output		Input Stage							(1) Bevel Stage	Output Gear Set
					IEC 71/56C 9 MM	IEC 80 10 MM	IEC 90/140TC 12 MM	IEC 100/180TC 16 MM	IEC 112 18 MM	IEC 132/210TC 22 MM			
5.54	1.409	1.391	2.828	PINION GEAR				083450 083451	083449 083451	083448 083451	086000 (2)	084567 084568	
6.69	1.700	1.391	2.828	PINION GEAR				083450 083538	083451 083538	083543 083538	086000 (2)	084567 084568	
8.03	2.040	1.391	2.828	PINION GEAR	083506 083510	083505 083510		083504 083510	083503 083510	083502 083510	086000 (2)	084567 084568	
9.41	2.391	1.391	2.828	PINION GEAR	083537 083480	083522 083480		083523 083480	083524 083480	083478 083480	086000 (2)	084567 084568	
11.21	2.850	1.391	2.828	PINION GEAR				083521 083475	083473 083475	083472 083475	086000 (2)	084567 084568	
11.64	1.409	1.391	5.938	PINION GEAR				083450 083451	083449 083451	083448 083451	086000 (2)	084569 084570	
14.04	1.700	1.391	5.938	PINION GEAR				083540 083538	083541 083538	083543 083538	086000 (2)	084569 084570	
16.85	2.040	1.391	5.938	PINION GEAR	083506 083510	083505 083510		083504 083510	083503 083510	083502 083510	086000 (2)	084569 084570	
19.75	2.391	1.391	5.938	PINION GEAR	083537 083480	083522 083480		083523 083480	083524 083480	083478 083480	086000 (2)	084569 084570	
23.54	2.850	1.391	5.938	PINION GEAR	083536 083475	083520 083475		083521 083475	083473 083475	083472 083475	086000 (2)	084569 084570	
25.53	3.091	1.391	5.938	PINION GEAR	083469 083434	083467 083434		083466 083434	083465 083434	083464 083434	086000 (2)	084569 084570	
28.50	3.450	1.391	5.938	PINION GEAR	083533 083427	083517 083427		083519 083427	083436 083427	083423 083427	086000 (2)	084569 084570	
30.87	3.737	1.391	5.938	PINION GEAR	083463 083420	083460 083420		083459 083420	083458 083420	083416 083420	086000 (2)	084569 084570	
34.40	1.409	4.111	5.938	PINION GEAR				083450 083451	083449 083451	083448 083451	085999	084569 084570	
41.50	1.700	4.111	5.938	PINION GEAR				083540 083538	083541 083538	083543 083538	085999	084569 084570	
49.80	2.040	4.111	5.938	PINION GEAR	083506 083510	083505 083510		083504 083510	083503 083510	083502 083510	085999	084569 084570	
58.37	2.391	4.111	5.938	PINION GEAR	083537 083480	083522 083480		083523 083480	083524 083480	083478 083480	085999	084569 084570	



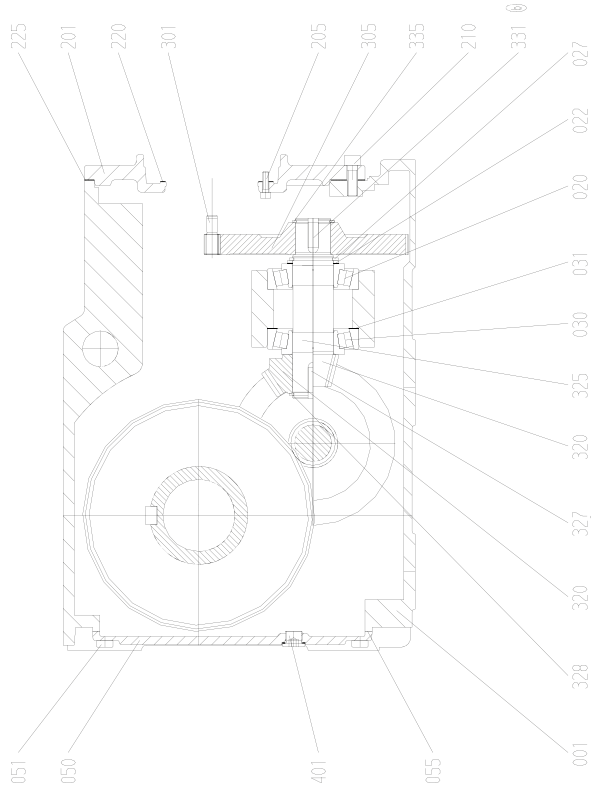
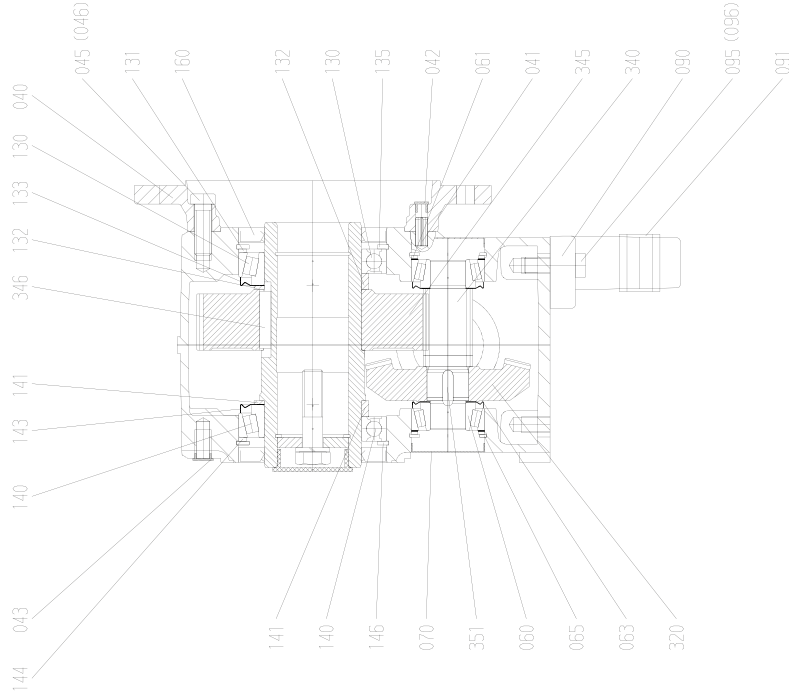
RENEWAL PARTS DATA

Quantis Gear Chart

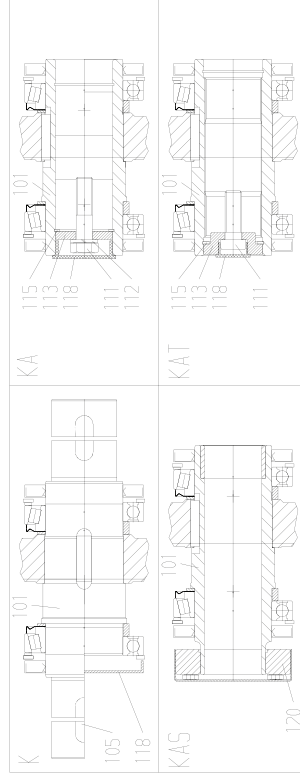
Helical Bevel Size RHB883

Total Ratio	Input	Bevel	Output		IEC 71/56C 9 MM	Input Stage				(1) Bevel Stage	Output Gear Set
						IEC 80 10 MM	IEC 90/140TC 12 MM	IEC 100/180TC 16 MM	IEC 112 18 MM		
69.57	2.850	4.111	5.938	PINION GEAR	083536	083520	083521	083473	083472	085999	084569
				GEAR	083475	083475	083475	083475	083475		084570
75.45	3.091	4.111	5.938	PINION GEAR	083468	083467	083466	083465		085999	084569
				GEAR	083434	083434	083434	083434	083434		084570
84.21	3.450	4.111	5.938	PINION GEAR	083535	083517	083519			085999	084569
				GEAR	083427	083427	083427				084570
91.22	3.737	4.111	5.938	PINION GEAR	083463	083460	083459			085999	084569
				GEAR	083420	083420	083420				084570
103.38	4.235	4.111	5.938	PINION GEAR	083531	083515	083516			085999	084569
				GEAR	083387	083387	083387				084570
111.37	4.563	4.111	5.938	PINION GEAR	083457	083455	083454			085999	084569
				GEAR	083413	083413	083413				084570
120.42	4.933	4.111	5.938	PINION GEAR	083529	083525	083374			085999	084569
				GEAR	083382	083382	083382				084570
130.77	5.357	4.111	5.938	PINION GEAR	083446	083443	083355			085999	084569
				GEAR	083404	083404	083404				084570
144.58	5.923	4.111	5.938	PINION GEAR	083528	083514				085999	084569
				GEAR	083401	083401					084570
156.63	6.417	4.111	5.938	PINION GEAR	083442	083440				085999	084569
				GEAR	083332	083332					084570
176.50	7.231	4.111	5.938	PINION GEAR	083527	083346				085999	084569
				GEAR	083398	083398					084570
193.24	7.917	4.111	5.938	PINION GEAR	083439	083587				085999	084569
				GEAR	083392	083392					084570
215.25	8.818	4.111	5.938	PINION GEAR	083499	083582				085999	084569
				GEAR	083390	083390					084570
246.13	10.083	4.111	5.938	PINION GEAR	083339	083337				085999	084569
				GEAR	083396	083396					084570
272.95	11.182	4.111	5.938	PINION GEAR	083336					085999	084569
				GEAR	083394						084570
302.68	12.400	4.111	5.938	PINION GEAR	083309					085999	084569
				GEAR	083389						084570

(1) Sold as set only.
 (2) Shell style pinion. For pinion shaft also order p/h 084643.



- The respective parts-LIST is decisive
 - For parts not shown please refer to
 the general arrangement drawing
 in accordance to K350_48 part 3, page 1



DODGE QUANTIS RHB RIGHT ANGLE REDUCER	
TRIPLE REDUCTION HELICAL BEVEL SIZE RHB10B3	
DRAWING NUMBER 085995	
DODGE	

Right Angle Helical-Bevel RHB BB/BF 108			Parts List
Position / No.	Quantity	Part Number	Component Designation
001	1 or 0	081631	RHB108 foot housing, machined
001	1 or 0	081670	RHB108 flange housing, machined
020	1	983010	Taper roller bearing 30308
022	2	728411	Shim 40x50x0.1 DIN988
022	2	728403	Shim 40x50x0.15 DIN988
022	1	053483	Washer 40x50x2.5 DIN988
027	1	084851	Retaining ring shaft AS40x2.5 DIN471
030	1	983010	Taper roller bearing 30308
031	2	744700	Shim 70x90x0.1 DIN988
031	2	085020	Shim 70x90x0.15 DIN988
040	1 or 0	081635	Output flange M/B108, A350, machined
041	2 or 0	085849	Adapter sleeve 12x28
045	6 or 0	050875	Socket head cap bolt M16x50 DIN6912
050	1	081633	Cover plate RHB108, for foot + flange, machined
051	8	084770	Socket head cap bolt M10x20 8.8 DIN6912
060	2	102042	Taper roller bearing 33207
061	4	152568	Shim 59x72x0.1 DIN988
061	4	085025	Shim 59x72x0.15 DIN988
061	2	154727	Shim 59x72x0.3
061	2	152566	Washer 59x72x3.0 DIN988
067	2	083575	Retaining ring bore 72x3
070	2	517933	Plug 72x9
090	1 or 0	081637	Torque arm RHB108, machined
091	1 or 0	738611	Rubber bushing 25x40x50x56
095	2 or 0	050875	Socket head cap bolt M16x50 DIN6912
101	1 or 0	086534	Output shaft M/B108, hollow, 60mm, standard
101	1 or 0	084612	Output shaft M/108, hollow, 70mm, optional
101	1 or 0	084613	Output shaft M/B108, shrink disc, hollow, 70 mm
101	1 or 0	084614	Output shaft M/B108, splined, N70x2x30
101	1 or 0	092484	Output shaft, hollow Twin Taper Bore (TTB)
101	1 or 0	086414	Output shaft BB108, B side, solid 1 end, 60x120mm, standard (3)
101	1 or 0	087381	Output shaft BF108, B side, solid 1 end, 60x120mm, standard (3)
101	1 or 0	087742	Output shaft BB108, A side, solid 1 end, 60x120mm, standard (3)
101	1 or 0	087746	Output shaft BF108, A side, solid 1 end, 60x120mm, standard (3)
101	1 or 0	087333	Output shaft BB-BF108, solid 2 ends, 60x120mm, standard
101	1 or 0	085557	Output shaft BB-BF108, B side, solid 1 end, 80x170mm, optional (3)
101	1 or 0	087722	Output shaft BB-BF108, A side, solid 1 end, 80x170mm, optional (3)
101	1 or 0	084616	Output shaft BB-BF108, solid 2 ends, 80x170mm, optional
101	1 or 0	084615	Output shaft BB-BF108, hollow, 2.375", standard
101	1 or 0	087373	Hollow output shaft MSM/RHB 108 2.4375"
101	1 or 0	086926	Output shaft BB-BF108, B side, solid 1 end, 2.375"x120mm, std (3)
101	1 or 0	087807	Output shaft BB-BF108, A side, solid 1 end, 2.375"x120mm (3)
101	1 or 0	087367	Output shaft BB-BF108, solid 2 ends, 2.375"x120mm, standard
101	1 or 0	085465	Output shaft BB-BF108, B side, solid 1 end, 3.188"x170mm, opt (3)
101	1 or 0	087811	Output shaft BB-BF108, A side, solid 1 end, 3.188"x170mm (3)
101	1 or 0	085466	Output shaft BB-BF108, solid 2 ends, 3.188"x170mm, optional
105	1 or 2	091537	Key A18x11x110 (60x120mm solid shaft)
105	1 or 2	067132	Key A22x14x125 (80x170mm solid shaft)
105	1 or 2	443296	Key 5/8x5/8x3-11/16 (2.375" solid shaft)
105	1 or 2	091740	Key 3/4x3/4x5-5/16 (3.188" solid shaft)
111	1 or 0	664820	Hex head bolt M20x80 8.8 (60 & 70mm hollow shaft)
111	1 or 0	085051	Socket head cap bolt M20x60 8.8 (Splined hollow shaft)
111	1 or 0	411173	Hex head bolt 3/4"-10x3.00" (2.375" & 2.438" hollow shaft)
112	1 or 0	415473	Lock washer B20 (all hollow except splined)
113	1 or 0	122065	Washer D21x60x10 (60mm & 2.375" & 2.438" hollow shaft)
113	1 or 0	123415	Washer D21x69.8x10 (70mm hollow shaft)
113	1 or 0	084752	Washer 22x72x27 (spline shaft)

Right Angle Helical-Bevel RHB BB/BF 108			Parts List
Position / No.	Quantity	Part Number	Component Designation
115	1 or 0	051311	Retaining ring bore 60x2 (60mm & 2.375" hollow shaft)
115	1 or 0	728578	Retaining ring bore 70x2.5 (70mm hollow shaft)
115	1 or 0	278702	Internal retaining ring bore J72x2.5 (splined hollow bore)
115	1 or 0	051312	Retaining ring int (2.438" hollow bore)
118	1 or 0	086383	Plug 59.6x18 (60mm & 2.375" hollow shaft)
118	1 or 0	851370	Plug 71x18 (70mm hollow shaft)
118	1 or 0	052386	Plug 36.5x15 (splined hollow shaft)
118	1 or 0	085711	Plug 145x15 (single extension solid shaft)
118	1 or 0	087311	Plug 62.6 x 14 (2.4375 hollow shaft)
120	1 or 0	084976	Shrink disc with cap
130	1	084857	Taper roller bearing 32019X
131	1	084854	Washer 130x145x3.5 DIN988
132	2	138891	Washer 95x115x3.5 DIN988
133	1	084850	Nilos Ring 32019XAV 95x142x8.5
135	1	085613	Retaining Ring bore 145x4
140	1	084857	Taper roller bearing 32019X
141	1	138891	Washer 95x115x3.5 DIN988
143	1	084850	Nilos Ring 32019XAV 95x142x8.5
144	1	084854	Washer 130x145x3.5 DIN988
144	4	084858	Shim 130x145x0.1 DIN988
144	4	085018	Shim 130x145x0.15 DIN988
146	1	085613	Retaining ring bore 145x4
160	1 or 2	084855	Output shaft seal M/B108, AS 95x145x15 (1)
201	1 or 0	082408	Adapter plate IEC 90-Nema 140TC
201	1 or 0	082412	Adapter plate IEC 100 (4)
201	1 or 0	082524	Adapter plate IEC 112 - 180TC
201	1 or 0	082528	Adapter plate IEC 132-Nema 210TC
201	1 or 0	082599	Adapter plate IEC 160-Nema 250TC
205	4 or 0	050810	Socket head cap bolt (IEC90-100, Nema 140TC) (4)
205	4 or 0	093853	Socket head cap bolt M8x25 (IEC 112 - 180TC)
205	4 or 0	133241	Socket head cap bolt M10x5-8.8 (IEC 132, Nema 210TC)
205	4 or 0	129857	Socket head cap bolt M12x35-8.8 (IEC 160, Nema 250TC)
210	8	60245210L	Socket head cap bolt M10x30, DIN912, 8.8
220	1 or 0	083277	Gasket adapter plate-motor, frame size 71-100, 140TC (4)
220	1 or 0	083278	Gasket adapter plate-motor, frame size 112 - 180TC
220	1 or 0	083279	Gasket adapter plate motor, IEC 132, 210TC
220	1 or 0	083296	Gasket adapter plate motor, IEC160, 250TC
225	1	085539	Gasket, 275x250x0.5
301	1	See Chart	Shank Pinion
305	1	See Chart	Gear
320	1 or 0	086017	Bevel gear pair RHB108, 3.909 (2)
320	1 or 0	086018	Bevel gear pair RHB108, 1.474 (2)
325	1 or 0	084644	Bevel Shaft, 1.474 (2)
327	1 or 0	087697	Key B10x8x30
328	1 or 0	084851	Retaining ring shaft AS40x2.5 (1.474)
331	1	087697	Key B10x8x30
335	1	278716	Retaining ring shaft A35x1.5 DIN471
340	1 or 0	086672	Pinion shaft, 5.438 (2)
340	1 or 0	084571	Pinion shaft, 3.038 (2)
345	1 or 0	084575	Gear 5.438 (2)
345	1 or 0	084572	Gear, 3.038 (2)
346	1	728446	Key B18x11x56
351	1	087697	Key B10x8x30
401	1	083868	Oil plug G3/8" DIN908
405	1 or 0	086599	Oil sight glass G3/8" (optional)
406	1 or 0	086631	Sealing ring 17x22x2.1 (optional)
420	1 or 0	186468	Breather G3/8" PA6 SW - Standard (Not Shown)
	1 or 0	094630	Washdown Breather Kit - Optional

(1) Hollow shaft & double shaft extension uses qty 2.

(2) See gear chart to determine ratio in use.

(3) Output shaft changes when converting from A side to B side shaft position. Contact renewal parts.

(4) Also used for 180TC input until design change Feb 2005. At that time 180TC changed to use 112 adpt plate (#201) & hardware.



RENEWAL PARTS DATA

Quantis Gear Chart
Helical Bevel Gear Size RHB1083

Total Ratio	Input	Bevel	Output	IEC 80 10 MM	IEC 90/140TC 12 MM	IEC 100/180TC 16 MM	Input Stage				(1) Bevel Stage	Output Gear Set
							IEC 80 10 MM	IEC 90/140TC 12 MM	IEC 100/180TC 16 MM	IEC 112 18 MM		
7.68	1.714	1.474	3.038				083507	083487	083486	086018 (2)	084571	
							083419	083419	083419		084572	
9.36	2.091	1.474	3.038			083450	083449	083448	083447	086018 (2)	084571	
						083452	083452	083452	083452		084572	
10.97	2.450	1.474	3.038			083540	083541	083543	083544	086018 (2)	084571	
						083539	083539	083539	083539		084572	
12.90	2.88	1.474	3.038	083506	083505	083504	083503	083502	083501	086018 (2)	084571	
				083509	083509	083509	083509	083509	083509		084572	
13.74	1.714	1.474	5.438			083508	083507	083487	083486	086018 (2)	086672	
						083489	083489	083489	083489		084575	
16.75	2.091	1.474	5.438			083450	083449	083448	083447	086018 (2)	086672	
						083452	083452	083452	083452		084575	
19.63	2.450	1.474	5.438			083540	083541	083543	083544	086018 (2)	086672	
						083539	083539	083539	083539		084575	
23.08	2.880	1.474	5.438	083506	083505	083504	083503	083502	083501	086018 (2)	086672	
				083509	083509	083509	083509	083509	083509		084575	
26.48	3.304	1.474	5.438	083537	083522	083523	083524	083478	083477	086018 (2)	086672	
				083481	083481	083481	083481	083481	083481		084575	
31.25	3.900	1.474	5.438	083536	083520	083521	083473	083472	083471	086018 (2)	086672	
				083476	083476	083476	083476	083476	083476		084575	
33.87	4.227	1.474	5.438	083468	083467	083466	083465	083464	083463	086018 (2)	086672	
				083435	083435	083435	083435	083435	083435		084575	
36.44	1.714	3.909	5.438			083508	083507	083487	083486	086017	086672	
						083489	083489	083489	083489		084575	
44.44	2.091	3.909	5.438			083450	083449	083448	083447	086017	086672	
						083452	083452	083452	083452		084575	
52.08	2.450	3.909	5.438			083540	083541	083543	083542	086017	086672	
						083539	083539	083539	083539		084575	
61.22	2.880	3.909	5.438	083506	083505	083504	083503	083502	083501	086017	086672	
				083509	083509	083509	083509	083509	083509		084575	
70.24	3.304	3.909	5.438	083537	083522	083523	083524	083478	083477	086017	086672	
				083481	083481	083481	083481	083481	083481		084575	
82.90	3.900	3.909	5.438	083536	083520	083521	083473	083472	083471	086017	086672	
				083476	083476	083476	083476	083476	083476		084575	
89.95	4.227	3.909	5.438	083468	083467	083466	083465	083464	083463	086017	086672	
				083435	083435	083435	083435	083435	083435		084575	
99.90	4.700	3.909	5.438	083535	083517	083519	083436	083435	083434	086017	086672	
				083428	083428	083428	083428	083428	083428		084575	

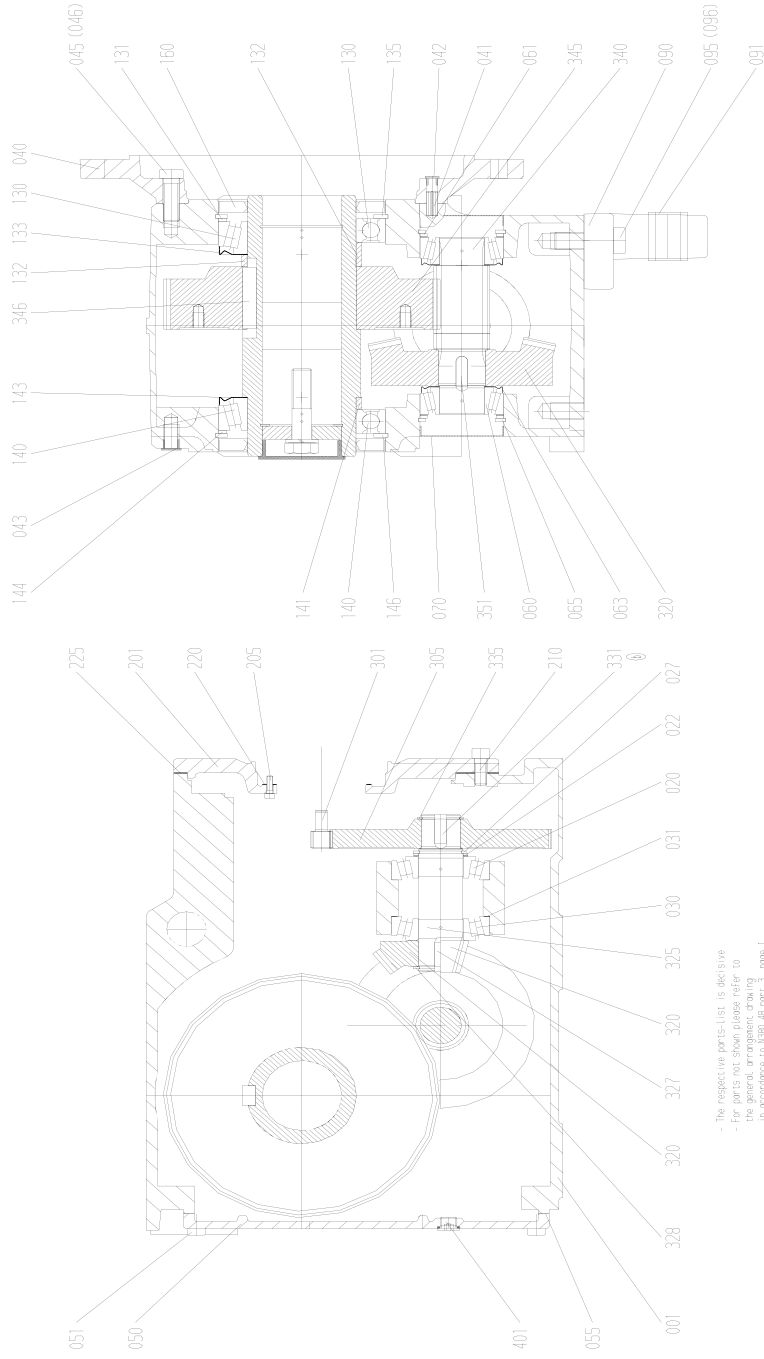


RENEWAL PARTS DATA

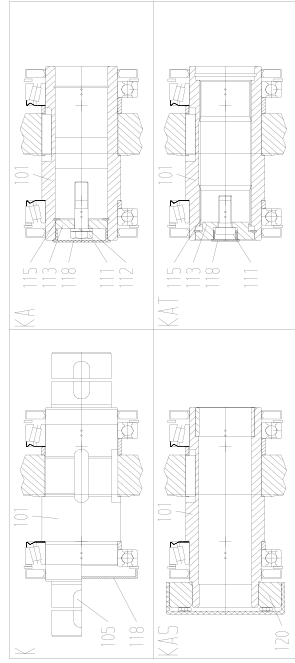
Quantis Gear Chart
Helical Bevel Size RHB1083

Total Ratio	Input	Bevel	Output		Input Stage								(1) Bevel Stage	Output Gear Set
					IEC 80 10 MM	IEC90/140TC 12 MM	IEC100/180TC 16 MM	IEC 112 18 MM	IEC132/210TC 22 MM	IEC160/250TC 28 MM				
108.52	5.105	3.909	5.438	PINION GEAR	083462 083421	083460 083421	083459 083421	083458 083421				086017	086672 084575	
120.03	5.647	3.909	5.438	PINION GEAR	083532 083388	083515 083388	083516 083388	083377 083388				086017	086672 084575	
128.86	6.063	3.909	5.438	PINION GEAR	083456 083414	083455 083414	083454 083414	083408 083414				086017	086672 084575	
138.87	6.533	3.909	5.438	PINION GEAR	083530 083383	083525 083383	083374 083383	083373 083383				086017	086672 084575	
150.31	7.071	3.909	5.438	PINION GEAR	083444 083405	083443 083405	083555 083405					086017	086672 084575	
163.51	7.692	3.909	5.438	PINION GEAR	083513 083403	083514 083403	083352 083403					086017	086672 084575	
178.90	8.417	3.909	5.438	PINION GEAR	083441 083333	083440 083333	083591 083333					086017	086672 084575	
201.11	9.462	3.909	5.438	PINION GEAR	083512 083400	083346 083400	083345 083400					086017	086672 084575	
219.64	10.333	3.909	5.438	PINION GEAR	083438 083393	083587 083393	083586 083393					086017	086672 084575	
243.47	11.455	3.909	5.438	PINION GEAR	083583 083391	083582 083391	083580 083391					086017	086672 084575	
278.10	13.083	3.909	5.438	PINION GEAR	083338 083397	083337 083397						086017	086672 084575	
307.24	14.455	3.909	5.438	PINION GEAR	083335 083395	083334 083395						086017	086672 084575	

(1) Sold as set only.
(2) Shell style pinion. For pinion shaft also order p/n 084644.



- The respective part list is decisive
 for the identification of the parts
 - The identification of the parts is
 in accordance to R388-48 part 3, page 1



DODGE		BACKLIT NUMBER	085996
DODGE QUANTIS RHB RIGHT ANGLE REDUCER		TRIPLE REDUCTION HELICAL BEVEL SIZE RHB1283	

Right Angle Helical-Bevel RHB BB/BF 128			Parts List
Position / No.	Quantity	Part Number	Component Designation
001	1 or 0	367514	RHB128 foot housing
001	1 or 0	081673	RHB128 flange housing
020	1	699551	Taper roller bearing
022	2	306851	Shim 45x55x0.1
022	2	697044	Shim 45x55x0.15
022	1	190020	Washer 45x55x3
027	1	084667	Retaining ring 45x2.5
030	1	699551	Taper roller bearing
031	2	989647	Shim 88x100x0.1
031	2	989648	Shim 88x100x0.15
040	1 or 0	081644	Output flange M/B128, A450
041	2 or 0	085849	Adapter sleeve 12x28
045	6 or 0	050875	Socket head cap bolt M16x50-8.8, DIN6912, A2F
050	1	090043	Cover plate RHB128, for foot & flange
051	10	691593	Socket head cap bolt M12x25-8.8 DIN6912 A2F
060	2	085065	Taper roller bearing
061	4	085026	Shim 70x85x0.1
061	4	085027	Shim 70x85x0.15
061	2	085040	Washer 70x85x3.5
061	2	087385	Shim 70x85x0.5
067	2	085053	Retaining ring 85x4
070	2	085015	Plug 85x12
090	1 or 0	081646	Torque arm RHB128
091	1 or 0	738611	Rubber bushing 25x40x50x56
095	2 or 0	085051	Socket head cap bolt M20x60 DIN6912
101	1 or 0	086535	Output shaft M/B128, hollow, 70mm, standard
101	1 or 0	084617	Output shaft M/128, hollow, 80mm, optional
101	1 or 0	084618	Output shaft M/B128, shrink disc, hollow, 80mm B-side
101	1 or 0	087727	Output shaft M/B128, shrink disc, hollow, 80mm A-side
101	1 or 0	084619	Output shaft M/B128, splined, N80x3x30x28
101	1 or 0	092485	Output shaft, hollow Twin Taper Bore (TTB)
101	1 or 0	086415	Output shaft BB128, B side, solid 1 end, 70x140mm, standard (3)
101	1 or 0	087382	Output shaft BF128, B side, solid 1 end, 70x140mm, standard (3)
101	1 or 0	087743	Output shaft BB128, A side, solid 1 end, 70x140mm, standard (3)
101	1 or 0	087747	Output shaft BF128, A side, solid 1 end, 70x140mm, standard (3)
101	1 or 0	087338	Output shaft BB-BF128, solid 2 ends, 70x140mm, standard
101	1 or 0	085558	Output shaft BB-BF128, B side, solid 1 end 90x170mm, optional (3)
101	1 or 0	087723	Output shaft BB-BF128, A side, solid 1 end 90x170mm, optional (3)
101	1 or 0	084622	Output shaft BB-BF128, solid 2 ends, 90x170mm, optional
101	1 or 0	084621	Output shaft M/B128, hollow, 2.750", standard
101	1 or 0	087374	Output shaft M/B128, hollow, 2.938", optional
101	1 or 0	086927	Output shaft M/B128, B side, solid 1 end , 2.875"x140mm, standard (3)
101	1 or 0	087808	Output shaft M/B128, A side, solid 1 end, 2.875"x140mm, standard (3)
101	1 or 0	087368	Output shaft M/B128, solid 2 ends, 2.875" x 140mm, standard
101	1 or 0	085467	Output shaft M/B128, B side, solid 1 end, 3.625" x170mm, optional (3)
101	1 or 0	087812	Output shaft M/B128, A side, solid 1 end, 3.625" x170mm, optional (3)
101	1 or 0	085468	Output shaft M/B128, solid 2 ends, 3.625"x170mm, optional
105	1 or 2	091539	Key A20x12x125 (70mm solid shaft)
105	1 or 2	035376	Key A25x14x140 (90mm solid shaft)
105	1 or 2	443143	Key 3/4x3/4x4 (2.875" solid shaft)
105	1 or 2	443596	Key 7/8x7/8x5-5/8 (3.625" solid shaft)
111	1 or 0	664820	Hex head bolt M20x80-8.8 (70mm hollow shaft)
111	1 or 0	085525	Hex head bolt M20x85 8.8 (80mm hollow shaft)
111	1 or 0	085051	Socket head cap bolt M20x60 8.8 (splined hollow shaft)
111	1 or 0	411173	Hex head bolt 3/4-10x3" (2.750" hollow shaft)
111	1 or 0	411173	Hex head bolt 3/4-10x3" (2.938" hollow shaft)
112	1 or 0	681407	Lock washer B20 (hollow shaft)
113	1 or 0	123415	Washer D21x69.8x10 (70mm & 2.750" hollow shaft)
113	1 or 0	123417	Washer D21x80x15 (80mm hollow shaft)
113	1 or 0	084753	Washer 22x90x30 (spline hollow shaft)
113	1 or 0	086566	Washer D21x74x12 (2.938" hollow shaft)
115	1 or 0	728578	Retaining ring 70 x 2.5 (70mm hollow shaft)
115	1 or 0	278715	Retaining ring bore J80x2.5 (80mm hollow shaft)
115	1 or 0	278704	Retaining ring bore J90x3.0 (splined hollow shaft)
115	1 or 0	728578	Retaining ring bore 70x2.5 (2.750" hollow shaft)
115	1 or 0	504408	Retaining ring bore 75x2.5mm (2.938" hollow shaft)

Right Angle Helical-Bevel RHB BB/BF 128			Parts List
Position / No.	Quantity	Part Number	Component Designation
118	1 or 0	086386	Plug 80.7 x 17.4 (80mm hollow shaft)
118	1 or 0	052386	Plug 36.5x15 (splined hollow shaft)
118	1 or 0	851370	Plug 71x18 F41 N508.03 (2.750 hollow shaft)
118	1 or 0	087310	Plug 75x14 (2.938 hollow shaft)
118	1 or 0	975504	Plug 170x15 (solid output shaft single extn)
120	1 or 0	084977	Shrink disc with cap
130	1	085066	Taper roller bearing
131	1	085041	Washer 152x170x3.5
132		*****	Not Used
133	1	139331	Nilos ring 32022XAV
135	1	699381	Retaining ring bore 170x4
140	1	085066	Taper roller bearing
141	1	084831	Sleeve 111x120x14
143	1	139331	Nilos ring 32022XAV
144	1	085041	Washer 152x170x3.5
144	4	085029	Shim 152x170x0.1
144	4	085028	Shim 152x170x0.15
146	1	699381	Retaining ring bore 170x4
160	1 or 2	085058	Output shaft seal M/B128 AS 110x170x15 (1)
201	1 or 0	082410	Adapter plate frame size IEC90-Nema 140TC
201	1 or 0	082526	Adapter plate frame size IEC100 (4)
201	1 or 0	082424	Adapter plate frame size IEC112 - 180TC
201	1 or 0	082432	Adapter plate frame size IEC 132-Nema 210TC
201	1 or 0	082442	Adapter plate frame size IEC 160-Nema 250TC
201	1 or 0	082530	Adapter plate frame size IEC 180/200-Nema 280TC
205	4 or 0	050810	Socket head cap bolt M6x18-8.8 (IEC 90-100, Nema 140TC) (4)
205	4 or 0	134941	Socket head cap bolt M8x25-8.8 (IEC 112 - 180TC)
205	4 or 0	129847	Socket head cap bolt M10x40-8.8 (IEC 132-Nema 210TC)
205	4 or 0	60245210A	Socket head cap bolt M12x35-8.8 (IEC 160-Nema 250TC)
205	4 or 0	050873	Socket head cap bolt M16x40-8.8 (IEC180/200-Nema 280TC)
210	8	050853	Socket head cap bolt M12x30-8.8, DIN912 A2F
220	1 or 0	083277	Gasket adapter plate-motor, frame size 71-100, 140TC (4)
220	1 or 0	083278	Gasket adapter plate-motor, frame size 112 - 180TC
220	1 or 0	083279	Gasket adapter plate-motor, frame size 132, 210TC
220	1 or 0	083296	Gasket adapter plate-motor, frame size 160, 250TC
220	1 or 0	081991	Gasket adapter plate-motor, frame size 180/200, 280TC
225	1	081986	Gasket, 330x300x0.5
301	1	See Chart	Shank Pinion
305	1	See Chart	Gear
320	1 or 0	086019	Bevel gear pair RHB128, 4.111 (2)
320	1 or 0	086020	Bevel gear pair RHB128, 1.292 (2)
325	1 or 0	084645	Bevel Pinion Shaft 1.292 (2)
327	1 or 0	392936	Key B12x8x28 (1.292)
328	1 or 0	084667	Retaining ring 45x2.5 (1.292)
331	1	392936	Key B12x8x28
335	1	051296	Retaining ring shaft 40x1.75
340	1 or 0	086674	Pinion shaft, 5.563 (2)
340	1 or 0	084576	Pinion shaft, 3.038 (2)
345	1 or 0	084579	Gear, 5.563 (2)
345	1 or 0	084577	Gear, 3.038 (2)
346	1	085528	Key B22x14x70
351	1	392936	Key B12x8x28
401	1	083868	Oil plug G3/8" DIN908
405	1 or 0	086599	Oil sight glass G3/8" (optional)
406	1 or 0	086631	Sealing ring 17x22x2.1 (optional)
420	1 or 0	186468	Breather G3/8" PA6 SW - Standard (Not Shown)
	1 or 0	094630	Washdown Breather Kit - Optional

(1) Hollow shaft and double shaft use qty 2.

(2) See gear chart to determine ratio in use.

(3) Output shaft changes when converting from A side to B side shaft position. Contact renewal parts.

(4) Also use for 180TC input until design change Feb 2005. At that time 180TC changed to use 112 adpt plate (#201) & hardware.



RENEWAL PARTS DATA

Quantis Gear Chart

Helical Bevel Size RHB1283

Total Ratio	Input	Bevel	Output		Input Stage							(1) Bevel Stage	Output Gear Set
					IEC 90/140TC 12 MM	IEC 100/180TC 16 MM	IEC 112 18 MM	IEC 132/210TC 22 MM	IEC 160/250TC 28 MM	IEC 180/200 - 280TC 36 MM			
7.10	1.810	1.292	3.038	PINION GEAR				083497	083495	081801	086020 (2)	084576	
				GEAR				083498	083498	083498		084577	
8.26	2.105	1.292	3.038	PINION GEAR				083493	083492	081797	086020 (2)	084576	
				GEAR				083494	083494	083494		084577	
9.16	2.333	1.292	3.038	PINION GEAR				083487	083486	081788	086020 (2)	084576	
				GEAR				081746	081746	081746		084577	
10.88	2.773	1.292	3.038	PINION GEAR	083450			083448	083447	081776	086020 (2)	084576	
				GEAR	081722			081722	081722	081722		084577	
12.56	3.200	1.292	3.038	PINION GEAR	083540			083543	083544	081773	086020 (2)	084576	
				GEAR	081718			081718	081718	081718		084577	
13.00	1.810	1.292	5.563	PINION GEAR				083497	083495	081801	086020 (2)	086674	
				GEAR				083498	083498	083498		084579	
15.13	2.105	1.292	5.563	PINION GEAR				083493	083492	081797	086020 (2)	086674	
				GEAR				083494	083494	083494		084579	
16.76	2.333	1.292	5.563	PINION GEAR				083487	083486	081788	086020 (2)	086674	
				GEAR				081746	081746	081746		084579	
19.92	2.773	1.292	5.563	PINION GEAR	083450			083448	083447	081776	086020 (2)	086674	
				GEAR	081722			081722	081722	081722		084579	
22.99	3.200	1.292	5.563	PINION GEAR	083540			083543	083544	081773	086020 (2)	086674	
				GEAR	081718			081718	081718	081718		084579	
27.02	3.760	1.292	5.563	PINION GEAR	083505			083502	083501	081783	086020 (2)	086674	
				GEAR	081743			081743	081743	081743		084579	
30.61	4.261	1.292	5.563	PINION GEAR	083522			083478	083477	081781	086020 (2)	086674	
				GEAR	081740			081740	081740	081740		084579	
35.92	5.000	1.292	5.563	PINION GEAR	083520			083472	083471	081956	086020 (2)	086674	
				GEAR	081737			081737	081737	081737		084579	
39.19	5.455	1.292	5.563	PINION GEAR	083467			083464	083430	081780	086020 (2)	086674	
				GEAR	081733			081733	081733	081733		084579	
41.38	1.810	4.111	5.563	PINION GEAR				083497	083495	081801	086019	086674	
				GEAR				083498	083498	083498		084579	
48.14	2.105	4.111	5.563	PINION GEAR				083493	083492	086674	086019	086674	
				GEAR				083494	083494	083494		084579	
53.36	2.333	4.111	5.563	PINION GEAR				083507	083486	086674	086019	086674	
				GEAR				081746	081746	081746		084579	



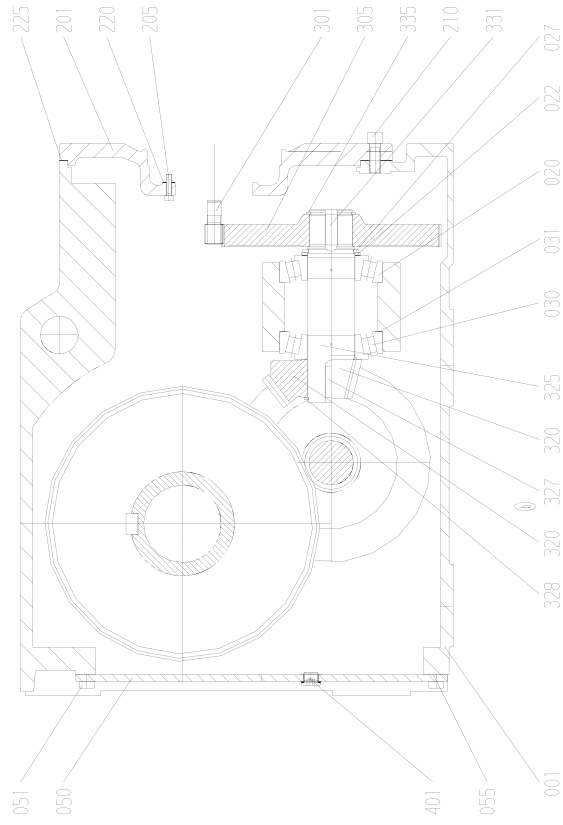
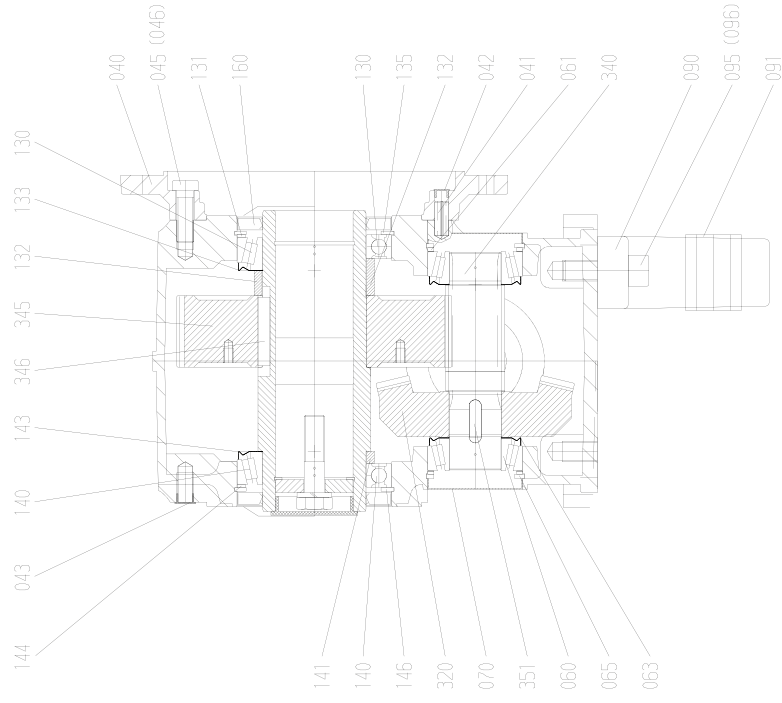
RENEWAL PARTS DATA

Quantis Gear Chart

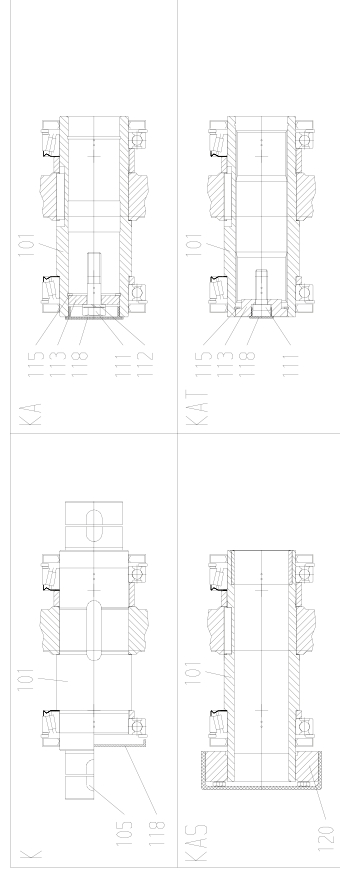
Helical Bevel Size RHB1283

Total Ratio	Input	Bevel	Output	Input Stage										(1) Bevel Stage	Output Gear Set
				IEC 90/140TC 12 MM	IEC 100/180TC 16 MM	IEC 112 18 MM	IEC 132/210TC 22 MM	IEC 160/250TC 28 MM	IEC 180/200-280TC 36 MM						
63.41	2.773	4.111	5.563			083450	083449	083448	083447			086019	086674		
				PINION GEAR		081722	081722	081722	081722			086019	084579		
73.18	3.200	4.111	5.563			083540	083541	083543	083544			086019	086674		
				PINION GEAR		081718	081718	081718	081718			086019	084579		
85.98	3.760	4.111	5.563			083504	083503	083502				086019	086674		
				PINION GEAR		081743	081743	081743				086019	084579		
97.44	4.261	4.111	5.563			083523	083524	083478				086019	086674		
				PINION GEAR		081740	081740	081740				086019	084579		
114.34	5.000	4.111	5.563			083520	083473	083472				086019	086674		
				PINION GEAR		081737	081737	081737				086019	084579		
124.73	5.455	4.111	5.563			083466	083465	083464				086019	086674		
				PINION GEAR		081733	081733	081733				086019	084579		
136.06	5.950	4.111	5.563			083517	083436	083423				086019	086674		
				PINION GEAR		081711	081711	081711				086019	084579		
146.84	6.421	4.111	5.563			083460	083458	083416				086019	086674		
				PINION GEAR		081730	081730	081730				086019	084579		
164.11	7.176	4.111	5.563			083515	083377					086019	086674		
				PINION GEAR		081707	081707					086019	084579		
175.80	7.688	4.111	5.563			083455	083408					086019	086674		
				PINION GEAR		081726	081726					086019	084579		
189.04	8.267	4.111	5.563			083525	083373					086019	086674		
				PINION GEAR		081704	081704					086019	084579		
204.18	8.929	4.111	5.563			083443	083354					086019	086674		
				PINION GEAR		081700	081700					086019	084579		
221.64	9.692	4.111	5.563			083514	083351					086019	086674		
				PINION GEAR		081951	081951					086019	084579		
242.02	10.583	4.111	5.563			083440						086019	086674		
				PINION GEAR		081693						086019	084579		
270.90	11.846	4.111	5.563			083346						086019	086674		
				PINION GEAR		081813						086019	084579		
295.36	12.917	4.111	5.563			083587						086019	086674		
				PINION GEAR		081692						086019	084579		

(1) Sold as set only.
 (2) Shell style pinion. For pinion shaft also order p/n 084645.



- The respective parts-List is decisive
 - For parts not shown please refer to
 the general arrangement drawing
 in accordance to N350.48 part 3, page 1



DODGE QUANTIS RHB RIGHT ANGLE REDUCER	
TRIPLE REDUCTION HELICAL BEVEL SIZE RHB1483	
DRAWING NUMBER 085997	
DODGE	

Right Angle Helical-Bevel RHB BB/BF 148			Parts List
Position / No.	Quantity	Part Number	Component Designation
001	1 or 0	367516	RHB148 foot housing
001	1 or 0	366457	RHB148 flange housing
020	1	728063	Taper roller bearing 30311A
022	2	050504	Shim 55x68x0.1
022	2	797103	Shim 55x68x0.15
022	1	040141	Washer 55x68x3
027	1	084445	Retaining ring 55x3
030	1	728063	Taper roller bearing 30311A
031	2	154638	Shim 102x120x0.1
031	2	154637	Shim 102x120x0.15
040	1 or 0	081653	Output flange M/B148, A450
041	2 or 0	085848	Adapter sleeve 16x40
045	6 or 0	085051	Socket head cap bolt M20x60-8.8
050	1	090260	Cover plate RHB148, for foot & flange
051	12	599506	Socket head cap bolt M12x20-8.8 DIN6912
060	2	085068	Taper roller bearing 33212
061	4	152573	Shim 96x110x0.1
061	4	152572	Shim 96x110x0.15
061	2	152570	Washer 96x110x3.5
061	2	154724	Shim 96x110x0.5
067	2	085054	Retaining ring 110x5
070	2	728071	Plug 110x12
090	1 or 0	081656	Torque arm RHB148
091	1 or 0	708682	Rubber bushing 40x65x80x88
095	2 or 0	086378	Hex head bolt M24x75 8.8
101	1 or 0	086536	Output shaft M/B148, hollow, 80mm, standard
101	1 or 0	084623	Output shaft M/148, hollow, 90mm optional
101	1 or 0	084624	Output shaft/M/B148, shrink disc, hollow 95mm
101	1 or 0	084625	Output shaft M/B148, splined N90x3x30
101	1 or 0	092486	Output shaft, hollow Twin Taper Bore (TTB)
101	1 or 0	086416	Output shaft BB148, B side, solid 1 end, 90x170mm, standard (3)
101	1 or 0	087383	Output shaft BF148, B side, solid 1 end, 90x170mm, standard (3)
101	1 or 0	087744	Output shaft BB148, A side, solid 1 end, 90x170mm, standard (3)
101	1 or 0	087748	Output shaft BF148, A side, solid 1 end, 90x170mm, standard (3)
101	1 or 0	087339	Output shaft M/B148, solid 2 ends, 90x170mm, standard
101	1 or 0	085559	Output shaft M/B148, B side, solid 1 end, 100x210mm, optional (3)
101	1 or 0	087724	Output shaft M/B148, A side, solid 1 end, 100x210mm, optional (3)
101	1 or 0	084627	Output shaft M/B148, solid 2 ends, 100x210mm, optional
101	1 or 0	084626	Output shaft M/B148, hollow, 3.625", standard
101	1 or 0	087375	Hollow output shaft MSM/RHB148 3.4375"
101	1 or 0	086928	Output shaft M/B148, B side, solid 1 end, 3.625"x170mm, standard (3)
101	1 or 0	087809	Output shaft M/B148, A side, solid 1 end, 3.625"x170mm, standard (3)
101	1 or 0	087369	Output shaft M/B148, solid 2 ends, 3.625"x170mm, standard
101	1 or 0	085469	Output shaft M/B148, B side, solid 1 end, 4.000"x210mm, optional (3)
101	1 or 0	087813	Output shaft M/B148, A side, solid 1 end, 4.000"x210mm, optional (3)
101	1 or 0	085470	Output shaft M/B148, solid 2 ends, 4.000"x210mm, optional
105	1 or 2	035376	Key A25x14x140 (90mm solid shaft)
105	1 or 2	681318	Key A28x16x180 (100mm solid shaft)
105	1 or 2	443597	Key 7/8x7/8x5 1/4 (3.625" solid shaft)
105	1 or 2	091542	Key 1x1x7-1/8 (4.000" solid shaft)
111	1 or 0	085525	Hex head bolt M20x85 8.8 (80mm hollow shaft)
111	1 or 0	085526	Hex head bolt M24x95 8.8 (90mm hollow shaft)
111	1 or 0	085051	Socket head cap bolt M20x60 8.8 (splined hollow shaft)
111	1 or 0	085732	Hex head bolt 1"-8X3" UNC8.8 (3.438" & 3.625" hollow shaft)
112	1 or 0	681407	Lock washer B20 (80mm hollow)
112	1 or 0	051222	Lock washer B24 (90mm hollow)
112	1 or 0	085733	Lock washer B27 (3.438" & 3.625" hollow)
113	1 or 0	123417	Washer D21x80x15 (80mm hollow)
113	1 or 0	123419	Washer D25x90x15 (90mm hollow)
113	1 or 0	084753	Washer 22x90x30 (splined hollow)
113	1 or 0	087308	Washer D27x87x15 (3.438" hollow)
113	1 or 0	085729	Washer D21x92x15 (3.625" hollow)
115	1 or 0	278715	Retaining ring bore J80x2.5 (80mm hollow)
115	1 or 0	278704	Retaining ring bore J90x3.0 (90mm & splined hollow)
115	1 or 0	087309	Retaining ring 88x3 (3.438" hollow)
115	1 or 0	085731	Retaining ring 92x3 (3.625" hollow)

Right Angle Helical-Bevel RHB BB/BF 148			Parts List
<i>Position / No.</i>	<i>Quantity</i>	<i>Part Number</i>	<i>Component Designation</i>
118	1 or 0	086386	Plug 80.7x17.4 (80mm hollow)
118	1 or 0	087415	Plug 95x21 (90mm hollow)
118	1 or 0	052386	Plug 36.5x15 (splined hollow)
118	1 or 0	086395	Plug 93x9.5 (3.625" hollow)
118	1 or 0	085491	Plug 180x12 (solid shaft)
120	1 or 0	084978	Shrink disc with cap
130	1	085069	Taper roller bearing
131	1	085039	Washer 160x180x3.5
132		*****	Not Used
133	1	085522	Nilos ring 32024XAV
135	1	015746	Retaining ring bore 180x4
140	1	085069	Taper roller bearing
141	1	084829	Sleeve 122x140x29
143	1	085522	Nilos ring 32024XAV
144	1	085039	Washer 160x180x3.5
144	4	085031	Shim 160x180x0.1
144	4	085032	Shim 160x180x0.15
146	1	015746	Retaining ring bore 180x4
160	1 or 2	085057	Output shaft seal M/B148 AS 120x180x15 (1)
201	1 or 0	082416	Adapter plate, frame size 100 (4)
201	1 or 0	082426	Adapter plate, frame size 112 -180TC
201	1 or 0	082434	Adapter plate, frame size 132, 210TC
201	1 or 0	082444	Adapter palte, frame size 160, 250TC
201	1 or 0	082452	Adapter plate, frame size 180/200, 280TC
201	1 or 0	082586	Adapter plate, frame size 225, 320TC
205	4 or 0	093839	Socket head cap bolt M6x25-8.8 (frames 100) (4)
205	4 or 0	134941	Socket head cap bolt M8x25-8.8 (frame 112 - 180TC)
205	4 or 0	050843	Socket head cap bolt M10x30-8.8 (fra,e 132-210TC)
205	4 or 0	60245210A	Socket head cap bolt M12x35-8.8 (frame 160-250TC)
205	4 or 0	133243	Socket head cap bolt M16x40-8.8 (frame 180/200-280TC)
205	4 or 0	021746	Socket head cpa bolt M16x55-8.8 (frame 225-320TC)
210	8	60245210A	Socket head cap bolt M12x35-8.8
220	1 or 0	083277	Gasket adapter plate-motor, frame size 71-100, 140TC (4)
220	1 or 0	083278	Gasket adapter plate-motor, frame size 112 - 180TC
220	1 or 0	083279	Gasket IEC132, Nema 210TC
220	1 or 0	083296	Gasket IEC 160, Nema 250TC
220	1 or 0	081991	Gasket IEC 180/200, 280TC
220	1 or 0	081992	Gasket IEC 225, Nema 320TC
225	1	081987	Gasket 387x360x0.5
301	1	See Chart	Shank Pinion
301	1	See Chart	Gear
320	1 or 0	086103	Bevel gear pair RHB148, 4.111 (2)
320	1 or 0	086104	Bevel gear pair RHB148, 1.292 (2)
325	1 or 0	084647	Bevel pinion shaft 1.292 (2)
327	1 or 0	087699	Key B14x9x43
328	1 or 0	084445	Retaining Ring 55x3 1.292
331	1	087699	Key B14x9x43
335	1	051304	Retaining ring shaft 50x2
340	1 or 0	084583	Pinion shaft, 5.563 (2)
340	1 or 0	084580	Pinion shaft, 2.750 (2)
345	1 or 0	084584	Gear, 5.563 (2)
345	1 or 0	084582	Gear, 2.750 (2)
346	1	138799	Key B25x14x80
351	1	087699	Key B14x9x43
401	1	083867	Oil plug G3/4" with seal, DIN908
405	1 or 0	086597	Oil sight glass G3/4 (optional)
420	1	085527	Breather G3/4 PA6 SW - (Not Shown)

(1) Hollow shaft and double extension solid shaft use qty 2.

(2) See gear chart to determine ratio in use.

(3) Output shaft changes when converting from A side to B side shaft position. Contact renewal parts.

(4) Also used for 180TC until design change Feb 2005. At that time 180TC changed to use 112 adpt plate (#201 & hardware).



RENEWAL PARTS DATA

Quantis Gear Chart

Helical Bevel Size RHB1483

Total Ratio	Input	Bevel	Output		IEC 100/180TC 16 MM	IEC 112 18 MM	Input Stage				IEC 180/200- 280TC 36 MM	IEC 225/320TC 39 MM	(1) Bevel Stage	Output Gear Set
							IEC 132/210TC 22 MM	IEC 160/250TC 28 MM	IEC 180/200- 280TC 36 MM	IEC 225/320TC 39 MM				
4.83	1.360	1.292	2.75	PINION GEAR				083551 081759	081806 081759	081805 081759	086104 (2)	084580 084582		
6.43	1.810	1.292	2.75	PINION GEAR				083490 083491	081792 083491	081791 083491	086104 (2)	084580 084582		
7.44	2.095	1.292	2.75	PINION GEAR		083497 081756		083495 081756	081801 081756	081800 081756	086104 (2)	084580 084582		
8.79	2.474	1.292	2.75	PINION GEAR		083493 081753		083492 081753	081797 081753	081796 081753	086104 (2)	084580 084582		
9.77	1.360	1.292	5.563	PINION GEAR				083551 081759	081806 081759	081805 081759	086104 (2)	084583 084584		
13.00	1.810	1.292	5.563	PINION GEAR				083490 083491	081792 083491	081791 083491	086104 (2)	084583 084584		
15.05	2.095	1.292	5.563	PINION GEAR				083495 081756	081801 081756	081800 081756	086104 (2)	084583 084584		
17.77	2.474	1.292	5.563	PINION GEAR				083492 081753	081797 081753	081796 081753	086104 (2)	084583 084584		
19.84	2.762	1.292	5.563	PINION GEAR		083507 081747		083486 081747	081788 081747	081786 081747	086104 (2)	084583 084584		
23.19	3.227	1.292	5.563	PINION GEAR	083450 081723	083449 081723		083447 081723	081776 081723	081775 081723	086104 (2)	084583 084584		
26.58	3.700	1.292	5.563	PINION GEAR	083540 081719	083543 081719		083544 081719	081773 081719	081772 081719	086104 (2)	084583 084584		
30.74	4.278	1.292	5.563	PINION GEAR		083545 081715		083547 081715	081770 081715	081769 081715	086104 (2)	084583 084584		
31.10	1.360	4.111	5.563	PINION GEAR				083551 081759	081806 081759	081805 081759	086103	084583 084584		
41.38	1.810	4.111	5.563	PINION GEAR				083490 083491	081792 083491	081791 083491	086103	084583 084584		
47.91	2.095	4.111	5.563	PINION GEAR			083497 081756	083495 081756	081801 081756	081800 081756	086103	084583 084584		
56.57	2.474	4.111	5.563	PINION GEAR			083493 081753	083492 081753	081797 081753	081796 081753	086103	084583 084584		
63.16	2.762	4.111	5.563	PINION GEAR		083507 081747		083486 081747	081788 081747	081786 081747	086103	084583 084584		



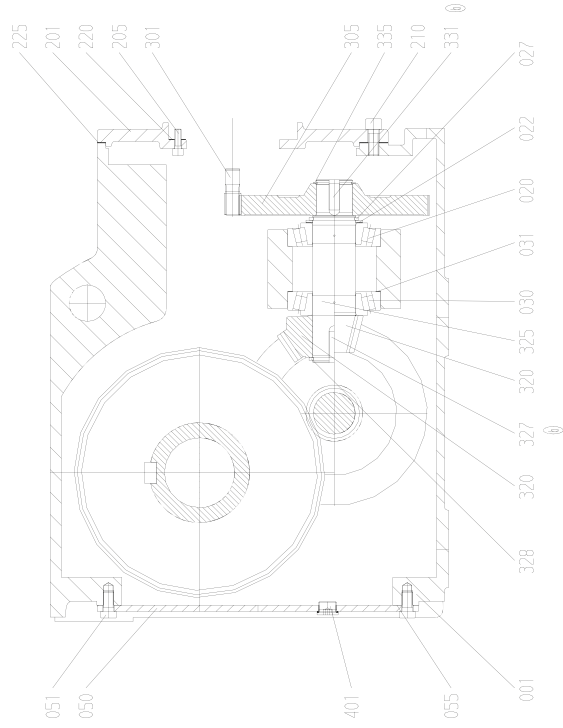
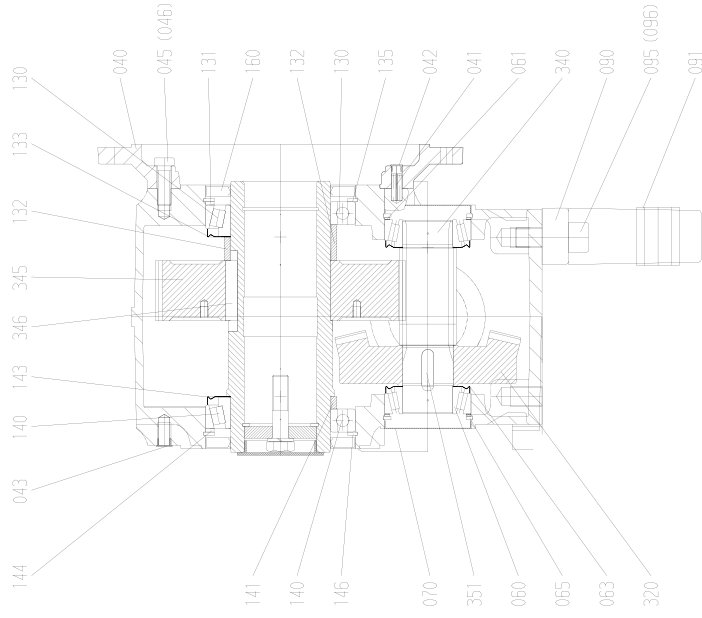
RENEWAL PARTS DATA

Quantis Gear Chart
Helical Bevel Size RHB1483

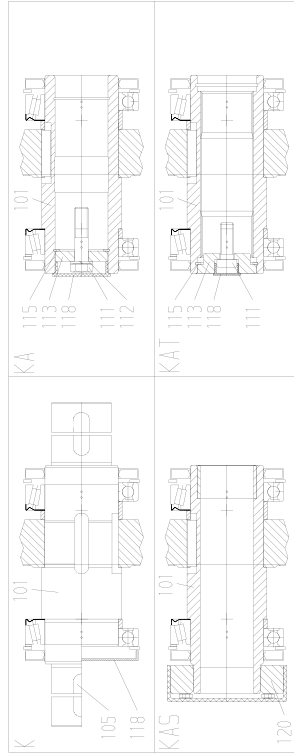
Total Ratio	Input	Bevel	Output		IEC 100/180TC 16 MM	IEC 112 18 MM	IEC 132/210TC 22 MM	IEC 160/250TC 28 MM	IEC 180/200-280TC 36 MM	IEC 225/320TC 39 MM	(1) Bevel Stage	Output Gear Set
73.80	3.227	4.111	5.563	PINION GEAR	083450 081723	083449 081723	083448 081723	083447 081723	081776 081723		086103	084583 084584
84.61	3.700	4.111	5.563	PINION GEAR	083540 081719	083541 081719	083543 081719	083544 081719			086103	084583 084584
97.82	4.278	4.111	5.563	PINION GEAR		083545 081715	083546 081715	083547 081715			086103	084583 084584
101.53	4.440	4.111	5.563	PINION GEAR	083504 081745	083503 081745	083502 081745	083501 081745			086103	084583 084584
112.35	4.913	4.111	5.563	PINION GEAR	083523 081741	083524 081741	083478 081741	083477 081741			086103	084583 084584
131.49	5.750	4.111	5.563	PINION GEAR	083521 081738	083473 081738	083472 081738	083471 081738			086103	084583 084584
142.41	6.227	4.111	5.563	PINION GEAR	083466 081734	083465 081734	083464 081734				086103	084583 084584
158.93	6.950	4.111	5.563	PINION GEAR	083519 081712	083436 081712	083423 081712				086103	084583 084584
168.50	7.368	4.111	5.563	PINION GEAR	083459 081731	083458 081731	083416 081731				086103	084583 084584
191.02	8.353	4.111	5.563	PINION GEAR	083516 081708	083377 081708	083376 081708				086103	084583 084584
204.38	8.938	4.111	5.563	PINION GEAR	083454 081727	083408 081727	083407 081727				086103	084583 084584
214.96	9.400	4.111	5.563	PINION GEAR	083374 081705	083373 081705	083371 081705				086103	084583 084584
231.95	10.143	4.111	5.563	PINION GEAR	083355 081702	083354 081702	083353 081702				086103	084583 084584
251.55	11.000	4.111	5.563	PINION GEAR	083352 081952	083351 081952	083350 081952				086103	084583 084584
274.42	12.000	4.111	5.563	PINION GEAR	083591 081694	083590 081694	083589 081694				086103	084583 084584
306.08	13.385	4.111	5.563	PINION GEAR	083345 081814	083344 081814					086103	084583 084584

(1) Sold as set only.

(2) Shell style pinion. For pinion shaft also order p/n 084647.



- The respective parts-list is decisive
 - For parts not shown please refer to
 the general arrangement drawing
 in accordance to RHB.16 part 3, page 1



DODGE QUANTIS RHB RIGHT ANGLE REDUCER	
TRIPLE REDUCTION-HELICAL BEVEL SIZE RHB1683	
DRAWING NUMBER 085998	
dodge	

Right Angle Helical-Bevel RHB BB/BF 168			Parts List
Position / No.	Quantity	Part Number	Component Designation
001	1 or 0	367518	RHB168 foot housing
001	1 or 0	081677	RHB168 flange housing
020	1	725510	Taper roller bearing
022	2	725447	Shim 65x85x0.1
022	2	085034	Shim 65x85x0.15
022	1	654019	Washer 65x85x3.5
027	1	084511	Retaining ring 65x4
030	1	725510	Taper roller bearing
031	2	987477	Shim 125x140x0.1
031	2	085035	Shim 125x140x0.2
040	1 or 0	081662	Output flange M/B168, A550
041	2 or 0	085848	Adapter sleeve 16x40
045	6 or 0	085051	Socket head cap bolt m20x60-8.8 A2F
050	1	090261	Cover plate RHB168, for foot & flange, steel
051	12	085049	Socket head cap bolt M16x30-8.8
060	2	130199	Taper roller bearing
061	2	152556	Washer 115x130x3.5
067	2	084772	Retaining ring bore 130x5
070	2	750140	Plug 130x12
090	1 or 0	081665	Torque arm RHB168, machined
091	1 or 0	708682	Rubber bushing 40x65x80x88
095	2 or 0	727210	Hex head bolt M30x80 8.8
101	1 or 0	086537	Output shaft M/B168, hollow, 100mm, standard
101	1 or 0	084628	Output shaft M/168, hollow, 110mm, optional
101	1 or 0	084629	Output shaft M/B168, shrink disc, hollow, 105mm
101	1 or 0	084636	Output shaft M/B168, splined, N110x3x30x35
101	1 or 0	092487	Output shaft, hollow Twin Taper Bore (TTB)
101	1 or 0	086417	Output shaft BB168, B side, solid 1 end, 110x210mm, standard (3)
101	1 or 0	087334	Output shaft BF168, B side, solid 1 end, 110x210mm, standard (3)
101	1 or 0	087745	Output shaft BB168, A side, solid 1 end, 110x210mm, standard (3)
101	1 or 0	087749	Output shaft BF168, A side, solid 1 end, 110x210mm, standard (3)
101	1 or 0	087342	Output shaft M/B168, solid 2 ends, 110x210mm, standard
101	1 or 0	085560	Output shaft M/B168, B side, solid 1 end, 120x210mm, optional (3)
101	1 or 0	087725	Output shaft M/B168, A side, solid 1 end, 120x210mm, optional (3)
101	1 or 0	084639	Output shaft M/B168, solid 2 ends 120x210mm, optional
101	1 or 0	084637	Output shaft M/B168, hollow, 4.000", standard
101	1 or 0	087376	Output shaft M/B168, hollow, 3.938", optional
101	1 or 0	086929	Output shaft M/B168, B side, solid 1 end, 4.375" x 210mm, standard (3)
101	1 or 0	087810	Output shaft M/B168, A side, solid 1 end, 4.375" x 210mm, standard (3)
101	1 or 0	087370	Output shaft M/B168, solid 2 ends, 4.375"x210mm, standard
101	1 or 0	085471	Output shaft M/B168, B side, solid 1 end, 4.750"x2310mm, optional (3)
101	1 or 0	087814	Output shaft M/B168, A side, solid 1 end, 4.750"x2310mm, optional (3)
101	1 or 0	085472	Output shaft M/B168, solid 2 ends, 4.750"x210mm, optional
105	1 or 2	681318	Key A28x16x180 (110mm solid shaft)
105	1 or 2	681245	Key A32x18x180 (120mm solid shaft)
105	1 or 2	443437	Key 1x1x6-5/8 (4.375" solid shaft)
105	1 or 2	086662	Key 1-1/4"x1-1/4"x7" (4.750" solid shaft)
111	1 or 0	085526	Hex head bolt M24x95-8.8 (100mm hollow)
111	1 or 0	133318	Hex head bolt M24x100 8.8 (110mm hollow)
111	1 or 0	086381	Hex head bolt M24x80 8.8 (splined hollow)
111	1 or 0	085732	Hex head bolt 1"-8x3" UNC 8.8 (4.000" hollow)
112	1 or 0	051222	Lock washer B24 (100 & 110mm hollow)
112	1 or 0	085733	Lock washer B27 (4.000" hollow)
113	1 or 0	123421	Washer D27x100x15 (100mm & 4.000" hollow)
113	1 or 0	166412	Washer D25x110x18 (110mm hollow)
113	1 or 0	084755	Washer 26x110x40 (splined hollow)
115	1 or 0	278717	Retaining ring bore J100x3.0 (100mm & 4.000" hollow)
115	1 or 0	051334	Retaining ring 110x4 (110mm & splined hollow)

Right Angle Helical-Bevel RHB BB/BF 168			Parts List
Position / No.	Quantity	Part Number	Component Designation
118	1 or 0	085734	Plug 102.5x18 (100mm & 4.000" hollow)
118	1 or 0	086397	Plug 111.7x17.4 (110mm hollow)
118	1 or 0	899852	Plug 47x14.5 (splined hollow)
118	1 or 0	085713	Plug 225x17 (solid shaft single extension)
120	1 or 0	084979	Shrink disc with cap
130	1	085070	Taper roller bearing
131	1	085038	Washer 200x225x5
132		*****	Not Used
133	1	085523	Nilos ring 32030XAV
135	1	085055	Retaining ring bore 225x5
140	1	085070	Taper roller bearing
141	1	085011	Sleeve 152x170x35.5 (DIN2391)
143	1	085523	Nilos ring 32030XAV
144	1	085038	Washer 200x225x5
144	4	085033	Shim 200x225x0.1
144	4	085037	Shim 200x225x0.15
146	1	085055	Retaining ring bore 225x5
160	1 or 2	085056	Output shaft seal M/B168 AS 150x225x17 (1)
201	1 or 0	082436	Adapter plate, frame 132-210TC
201	1 or 0	082446	Adapter plate, frame size 160-250TC
201	1 or 0	082454	Adapter plate, frame size IEC180/200-280TC
201	1 or 0	082460	Adapter plate, frame size 225-320TC
201	1 or 0	082464	Adapter plate, frame size IEC250-360TC
205	4 or 0	050843	Socket head cap bolt M10x30-8.8 (132-210TC)
205	4 or 0	60245210A	Socket head cap bolt M12x35-8.8 (160-250TC)
205	4 or 0	133243	Socket head cap bolt M16x40-8.8 (IEC180/200-280TC)
205	4 or 0	141193	Socket head cap bolt M16x45-8.8 (IEC225/250-320/360TC)
210	8	093841	Socket head cap bolt M16x40-8.8 A2F
220	1 or 0	083279	Gasket, IEC 132, 210TC
220	1 or 0	083296	Gasket, IEC 160, 250TC
220	1 or 0	081991	Gasket, IEC 180/200, 280TC
220	1 or 0	081992	Gasket, IEC 225, 320TC
220	1 or 0	081993	Gasket, IEC 250, 360TC
225	1	081988	Gasket 438x408x0.5
301	1	See Chart	Shank Pinion
301	1	See Chart	Gear
320	1 or 0	086105	Bevel gear pair RHB168, 4.111 (2)
320	1 or 0	086106	Bevel gear pair RHB168, 1.476 (2)
325	1 or 0	084648	Bevel Pinion Shaft, 1.476 (2)
327	1 or 0	087712	Key B18x11x54
328	1 or 0	084511	Retaining ring 65x4 (1.476)
331	1	087712	Key B18x11x54
335	1	051308	Retaining ring shaft 55x2
340	1 or 0	084587	Pinion shaft, 5.125 (2)
340	1 or 0	084585	Pinion shaft 2.731 (2)
345	1 or 0	084588	Gear, 5.125 (2)
345	1 or 0	084586	Gear, 2.731 (2)
346	1	085530	Key B32x18x90
351	1	087713	Key B18x11x54
401	1	083867	Oil plug G3/4 with seal, DIN908
405	1 or 0	086597	Oil sight glass G3/4 (optional)
420	1	085527	Breather G3/4 PA6 SW

- (1) Hollow shaft and double extension solid shaft use qty 2.
- (2) See gear chart to determine ratio in use.
- (3) Output shaft changes when converting from A side to B side shaft position. Contact renewal parts.



RENEWAL PARTS DATA

Quantis Gear Chart

Helical Bevel Size RHB1683

Total Ratio	Input	Bevel	Output		Input Stage				(1) Bevel Stage	Output Gear Set
					IEC132/210TC 22 MM	IEC160/250TC 28 MM	IEC180/200-280TC 36 MM	IEC225/320TC 39 MM		
6.61	1.640	1.476	2.731	PINION GEAR	083551 081761	081806 081761	081805 081761	081804 081761	086106 (2)	084585 084586
8.64	2.143	1.476	2.731	PINION GEAR	083490 081750	081792 081750	081791 081750	081790 081750	086106 (2)	084585 084586
10.17	2.524	1.476	2.731	PINION GEAR	083497 081757	081801 081757	081800 081757	081799 081757	086106 (2)	084585 084586
11.67	2.895	1.476	2.731	PINION GEAR	083493 081754	081797 081754	081796 081754	081794 081754	086106 (2)	084585 084586
12.41	1.640	1.476	5.125	PINION GEAR	083551 081761	081806 081761	081805 081761	081804 081761	086106 (2)	084587 084588
16.21	2.143	1.476	5.125	PINION GEAR	083490 081750	081792 081750	081791 081750	081790 081750	086106 (2)	084587 084588
19.09	2.524	1.476	5.125	PINION GEAR	083495 081757	081801 081757	081800 081757	081799 081757	086106 (2)	084587 084588
21.9	2.895	1.476	5.125	PINION GEAR	083492 081754	081797 081754	081796 081754	081794 081754	086106 (2)	084587 084588
24.14	3.190	1.476	5.125	PINION GEAR	083487 081748	081788 081748	081786 081748	081785 081748	086106 (2)	084587 084588
28.54	3.773	1.476	5.125	PINION GEAR	083447 081724	081776 081724	081775 081724	081774 081724	086106 (2)	084587 084588
32.53	4.300	1.476	5.125	PINION GEAR	083544 081720	081773 081720	081772 081720	081771 081720	086106 (2)	084587 084588
34.55	1.640	4.111	5.125	PINION GEAR	083551 081761	081806 081761	081805 081761	081804 081761	086105	084587 084588
45.15	2.143	4.111	5.125	PINION GEAR	083490 081750	081792 081750	081791 081750		086105	084587 084588
53.18	2.524	4.111	5.125	PINION GEAR	083495 081757	081801 081757	081800 081757		086105	084587 084588
60.99	2.895	4.111	5.125	PINION GEAR	083492 081754	081797 081754	081796 081754		086105	084587 084588
67.22	3.190	4.111	5.125	PINION GEAR	083486 081748	081788 081748			086105	084587 084588
79.49	3.773	4.111	5.125	PINION GEAR	083447 081724	081776 081724			086105	084587 084588



RENEWAL PARTS DATA

Quantis Gear Chart

Helical Bevel Size RHB1683

Total Ratio	Input	Bevel	Output		Input Stage				(1) Bevel Stage	Output Gear Set
					IEC132/210TC 22 MM	IEC160/250TC 28 MM	IEC180/200-280TC 36 MM	IEC225/320TC 39 MM		
90.60	4.300	4.111	5.125	PINION GEAR	083543 081720	083544 081720	081773 081720		086105	084587 084588
104.18	4.944	4.111	5.125	PINION GEAR	083546 081716	083547 081716	081770 081716		086105	084587 084588
119.09	5.652	4.111	5.125	PINION GEAR	083478 081742	083477 081742	081781 081742		086105	084587 084588
138.00	6.550	4.111	5.125	PINION GEAR	083472 081739	083471 081739			086105	084587 084588
150.36	7.136	4.111	5.125	PINION GEAR	083464 081735	083430 081735			086105	084587 084588
167.50	7.950	4.111	5.125	PINION GEAR	083423 081713	083422 081713			086105	084587 084588
177.43	8.421	4.111	5.125	PINION GEAR	083416 081732	083415 081732			086105	084587 084588
199.54	9.471	4.111	5.125	PINION GEAR	083376 081709	083375 081709			086105	084587 084588
213.33	10.125	4.111	5.125	PINION GEAR	083407 081729	083406 081729			086105	084587 084588
226.15	10.733	4.111	5.125	PINION GEAR	083371 081706				086105	084587 084588
243.80	11.571	4.111	5.125	PINION GEAR	083353 081703				086105	084587 084588
264.18	12.538	4.111	5.125	PINION GEAR	083350 081953				086105	084587 084588
287.95	13.667	4.111	5.125	PINION GEAR	083589 081695				086105	084587 084588

(1) Sold as set only.

(2) Shell style pinion. For pinion shaft also order p/n 084648.

ILH Quantis Seal Kit

C-Face Input - Nema & IEC

Three Piece Coupled & Clamp Collar

Size	Input Motor Frame	Seak & Gasket Kit P/N	Consists of:					
			Input Seal	Output Seal	Splash Washer	Input Gasket	Input Gasket	Adpt Plate Gasket
HB-HF381-2-3	56C-G63-G71	093200	016222	011548	082736	083277	----	083274
	140TC-80-90	093201	011536	011548	082639	083277	----	083274
	180TC-100	093202	618268	011548	978001	083277	----	083274
HB-HF481	56C	094670	016222	011548	082736	083277	----	083273
	140TC/80-90	094671	011536	011548	082639	083277	----	083273
	180TC-100 (2)	094672	618268	011548	978001	083277	083278	083273
	112	094673	061446	011548	461008	083278	----	083273
HB-HF482-3	56C-G63-G71	093203	016222	082985	082736	083277	----	083273
	140TC-80-90	093204	011536	082985	082639	083277	----	083273
	180TC-100 (2)	093205	618268	082985	978001	083277	083278	083273
	112	093579	061446	082985	461008	083278	----	083273
HB-HF681	56C	094674	016222	082985	082736	083277	----	082519
	140TC/80-90	094675	011536	082985	082639	083277	----	082519
	180TC-100 (2)	094676	618268	082985	978001	083277	083278	082519
	112	094677	061446	082985	978001	083278	----	082519
	210TC-132	094678	091825	082985	429961	083279	----	082519
HB-HF682-3	56C-G63-G71	093206	016222	082741	082736	083277	----	082519
	140TC-80-90	093207	011536	082741	082639	083277	----	082519
	180TC-100 (2)	093208	618268	082741	978001	083277	083278	082519
	112	093209	061446	082741	978001	083278	----	082519
	210TC-132	093210	091825	082741	429961	083279	----	082519
HB-HF881	140TC/80-90	094679	011536	085046	082639	083277	----	085539
	180TC-100 (2)	094680	618268	085046	978001	083277	083278	085539
	112	094681	061446	085046	978001	083278	----	085539
	210TC-132	094682	091825	085046	429961	083279	----	085539
	250TC-160	094683	513270	085046	082640	083296	----	085539
HB-HF882-3	56C-G63-G71	093211	016222	083299	082736	083277	----	085539
	140TC-80-90	093212	011536	083299	082639	083277	----	085539
	180TC-100 (2)	093213	618268	083299	978001	083277	083278	085539
	112	093214	061446	083299	978001	083278	----	085539
	210TC-132	093215	091825	083299	429961	083279	----	085539
	250TC-160	093216	513270	083299	082640	083296	----	085539
HB-HF1082-3	140TC-80-90	093217	011536	085588	082639	083277	----	081986
	180TC-100 (2)	093218	618268	085588	978001	083277	083278	081986
	112	093219	061446	085588	978001	083278	----	081986
	210TC-132	093220	091825	085588	429961	083279	----	081986
	250TC-160	093221	513270	085588	082640	083296	----	081986
	280TC-180-200	093222	189098	085588	082641	081991	----	081986
HB-HF1282-3	140TC-80-90	093223	011536	085587	082639	083277	----	081987
	180TC-100 (2)	093224	618268	085587	978001	083277	083278	081987
	112	093225	061446	085587	978001	083278	----	081987
	210TC-132	093226	091825	085587	429961	083279	----	081987
	250TC-160	093227	513270	085587	082640	083296	----	081987
	280TC-180-200	093228	189098	085587	082641	081991	----	081987
HB-HF1482-3	320TC-225	093229	306371	085587	082642	081992	----	081987
	180TC-100 (2)	093231	618268	085586	978001	083277	083278	081988
	112	093230	061446	085586	978001	083278	----	081988
	210TC-132	093232	091825	085586	429961	083279	----	081988
	250TC-160	093233	513270	085586	082640	083296	----	081988
	280TC-180-200	093234	189098	085586	082641	081991	----	081988
HB-HF1682-3	320TC-225	093235	306371	085586	082642	081992	----	081988
	360TC-250 (1)	093236	306371	085586	082642	081993	----	081988
	210TC-132	093237	091825	085585	429961	083279	----	081989
	250TC-160	093238	513270	085585	082640	083296	----	081989
	280TC-180-200	093239	189098	085585	082641	081991	----	081989
	320TC-225	093240	306371	085585	082642	081992	----	081989
	360TC-250 (1)	093241	306371	085585	082642	081993	----	081989

(1) Nema 360TC clamp collar input assembly uses input seal 093667. Do not use seal kit assembly part number.

(2) Kit includes #220 gaskets for both original design 180TC input and redesigned 180TC input (Feb 2005). Discard unused gasket.

ILH Quantis Seal Kit

Gearmotor Input

Use for standard gearmotor style motors & brakemotors. Note that brakemotor rating .50-.75-1.00 HP uses different seal.

Size	Input Motor Frame	HP	Seal & Gasket Kit P/N	Consist of:				
				Input Seal	Output Seal	Splash Washer	Input Gasket	Adapter Gasket
HB-HF381-2-3	M1B4/71C4/71D4	.25 - .33	093242	016222	011548	082736	083277	083274
	M1C4/71E4/80F/80G4	.50-.75-1.00	093243	016222	011548	082639	083277	083274
	(1) 71E4-L4/80F4-L8/80G4-L8	.50-.75-1.00	093244	140562	011548	082639	083277	083274
	A90SH4/90H4/A90L/9014	1.50-2.00	093245	011536	011548	082639	083277	083274
	A100LA4/100J4	3.00	093246	618268	011548	978001	083277	083274
HB-HF 481	M1B4/71C4/71D4	.25 - .33	094670	016222	011548	082736	083277	083273
	M1C4/71E4/80F/80G4	.50-.75-1.00	236172	016222	011548	082639	083277	083273
	(1) 71E4-L4/80F4-L8/80G4-L8	.50-.75-1.00	236173	140562	011548	082639	083277	083273
	A90SH4/90H4/A90L/9014	1.50-2.00	094671	011536	011548	082639	083277	083273
	A100LA4/100J4	3.00	094672	618268	011548	978001	083277	083273
HB-HF482-3	M1B4/71C4/71D4	.25 - .33	093247	016222	082985	082736	083277	083273
	M1C4/71E4/80F/80G4	.50-.75-1.00	093248	016222	082985	082639	083277	083273
	(1) 71E4-L4/80F4-L8/80G4-L8	.50-.75-1.00	093249	140562	082985	082639	083277	083273
	A90SH4/90H4/A90L/9014	1.50-2.00	093250	011536	082985	082639	083277	083273
	A100LA4/100J4	3.00	093251	618268	082985	978001	083277	083273
HB-HF 681	M1B4/71C4/71D4	.25 - .33	094674	016222	082985	082736	083277	082519
	M1C4/71E4/80F/80G4	.50-.75-1.00	335378	016222	082985	082639	083277	082519
	(1) 71E4-L4/80F4-L8/80G4-L8	.50-.75-1.00	335398	140562	082985	082639	083277	082519
	A90SH4/90H4/A90L/9014	1.50-2.00	094675	011536	082985	082639	083277	082519
	A100LA4/100J4	3.00	094676	618268	082985	978001	083277	082519
HB-HF682-3	M1B4/71C4/71D4	.25 - .33	093253	016222	082741	082736	083277	082519
	M1C4/71E4/80F/80G4	.50-.75-1.00	093254	016222	082741	082639	083277	082519
	(1) 71E4-L4/80F4-L8/80G4-L8	.50-.75-1.00	093255	140562	082741	082639	083277	082519
	A90SH4/90H4/A90L/9014	1.50-2.00	093256	011536	082741	082639	083277	082519
	A100LA4/100J4	3.00	093257	618268	082741	978001	083277	082519
HB-HF881	M1B4/71C4/71D4	.25 - .33	236171	016222	085046	082736	083277	085539
	M1C4/71E4/80F/80G4	.50-.75-1.00	236174	016222	085046	082639	083277	085539
	(1) 71E4-L4/80F4-L8/80G4-L8	.50-.75-1.00	237175	140562	085046	082639	083277	085539
	A90SH4/90H4/A90L/9014	1.50-2.00	094679	011536	085046	082639	083277	085539
	A100LA4/100J4	3.00	094680	618268	085046	978001	083277	085539
HB-HF882-3	M1B4/71C4/71D4	.25 - .33	093260	016222	083299	082736	083277	085539
	M1C4/71E4/80F/80G4	.50-.75-1.00	093261	016222	083299	082639	083277	085539
	(1) 71E4-L4/80F4-L8/80G4-L8	.50-.75-1.00	093262	140562	083299	082639	083277	085539
	A90SH4/90H4/A90L/9014	1.50-2.00	093263	011536	083299	082639	083277	085539
	A100LA4/100J4	3.00	093264	618268	083299	978001	083277	085539
HB-HF1082-3	M1B4/71C4/71D4	.25 - .33	093266	016222	083299	082736	083277	085539
	M1C4/71E4/80F/80G4	.50-.75-1.00	093267	016222	083299	082639	083277	085539
	(1) 71E4-L4/80F4-L8/80G4-L8	.50-.75-1.00	093268	140562	083299	082639	083277	085539
	A90SH4/90H4/A90L/9014	1.50-2.00	093269	011536	083299	082639	083277	085539
	A100LA4/100J4	3.00	093270	618268	083299	978001	083277	085539
HB-HF1282-3	M1B4/71C4/71D4	.25 - .33	093272	016222	085588	082639	083277	081986
	M1C4/71E4/80F/80G4	.50-.75-1.00	093273	016222	085588	082639	083277	081986
	(1) 71E4-L4/80F4-L8/80G4-L8	.50-.75-1.00	093274	140562	085588	082639	083277	081986
	A90SH4/90H4/A90L/9014	1.50-2.00	093275	011536	085588	082639	083277	081986
	A100LA4/100J4	3.00	093276	618268	085588	978001	083277	081986
HB-HF1482-3	M1B4/71C4/71D4	.25 - .33	093282	016222	085588	082642	081992	081987
	M1C4/71E4/80F/80G4	.50-.75-1.00	093283	016222	085588	082642	081992	081987
	(1) 71E4-L4/80F4-L8/80G4-L8	.50-.75-1.00	093284	140562	085588	082642	081992	081987
	A90SH4/90H4/A90L/9014	1.50-2.00	093285	011536	085588	082642	081992	081987
	A100LA4/100J4	3.00	093286	618268	085588	978001	083277	081988
HB-HF1682-3	M1B4/71C4/71D4	.25 - .33	093288	016222	085588	082642	081992	081988
	M1C4/71E4/80F/80G4	.50-.75-1.00	093289	016222	085588	082642	081992	081988
	(1) 71E4-L4/80F4-L8/80G4-L8	.50-.75-1.00	093290	140562	085588	082642	081992	081988
	A90SH4/90H4/A90L/9014	1.50-2.00	093291	011536	085588	082642	081992	081988
	A100LA4/100J4	3.00	093292	618268	085588	978001	083277	081988
(1) Brakemotor	M1B4/71C4/71D4	.25 - .33	093294	016222	085588	082642	081992	081989
	M1C4/71E4/80F/80G4	.50-.75-1.00	093295	016222	085588	082642	081992	081989
	(1) 71E4-L4/80F4-L8/80G4-L8	.50-.75-1.00	093296	140562	085588	082642	081992	081989
	A90SH4/90H4/A90L/9014	1.50-2.00	093297	011536	085588	082642	081992	081989
	A100LA4/100J4	3.00	093298	618268	085588	978001	083277	081989
(2) Contact renewal parts.	M1B4/71C4/71D4	.25 - .33	093299	016222	085588	082642	081992	081989
	M1C4/71E4/80F/80G4	.50-.75-1.00	093300	016222	085588	082642	081992	081989
	(2) 71E4-L4/80F4-L8/80G4-L8	.50-.75-1.00	093301	140562	085588	082642	081992	081989
	A90SH4/90H4/A90L/9014	1.50-2.00	093302	011536	085588	082642	081992	081989
	A100LA4/100J4	3.00	093303	618268	085588	978001	083277	081989

(1) Brakemotor
(2) Contact renewal parts.

MSM & RHB Quantis Seal & Gasket Kit

Gearmotor Input - Solid Shaft Output Single Extension

Use for standard gearmotor style motors & brakemotors. Note that brakemotor rating .50-.75-1.00 uses different seal.

Size	Input Motor Frame	HP	Seal & Gasket Kit P/N	Consists of:			Input Gasket	MSM Adpt Gasket (3)	RHB Adpt Gasket (3)	Output Bore Plug
				Input Seal	Output Seal	Splash Washer				
MW 382-3	M1B4/71C4/71D4	.25 - .33	093527	016222	504386	082736	083277	083274	----	985869
	M1C4/71E4/80F/80G4	.50-.75-1.00	093528	016222	504386	082639	083277	083274	----	985869
	(1) 71E4-L4/80F4-L8/80G4-L8	.50-.75-1.00	093529	140562	504386	082639	083277	083274	----	985869
	A90SH4/90H4/A90L/9014	1.50-2.00	093530	011536	504386	082639	083277	083274	----	985869
	A100LA4/100J4	3.00	093531	618268	504386	978001	083277	083274	----	985869
MW 482-3	M1B4/71C4/71D4	.25 - .33	093532	016222	085046	082736	083277	083273	083274	691526
	M1C4/71E4/80F/80G4	.50-.75-1.00	093533	016222	085046	082639	083277	083273	083274	691526
	(1) 71E4-L4/80F4-L8/80G4-L8	.50-.75-1.00	093534	140562	085046	082639	083277	083273	083274	691526
	A90SH4/90H4/A90L/9014	1.50-2.00	093535	011536	085046	082639	083277	083273	083274	691526
	A100LA4/100J4	3.00	093536	618268	085046	978001	083277	083273	083274	691526
A112MA4/112L4	5.00	093537	061446	085046	461008	083278	083273	083274	691526	
MW 682-3	M1B4/71C4/71D4	.25 - .33	093538	016222	511307	082736	083277	082519	083273	866695
	M1C4/71E4/80F/80G4	.50-.75-1.00	093539	016222	511307	082639	083277	082519	083273	866695
	(1) 71E4-L4/80F4-L8/80G4-L8	.50-.75-1.00	093540	140562	511307	082639	083277	082519	083273	866695
	A90SH4/90H4/A90L/9014	1.50-2.00	093541	011536	511307	082639	083277	082519	083273	866695
	A100LA4/100J4	3.00	093542	618268	511307	978001	083277	082519	083273	866695
	A112MA4/112L4	5.00	093543	061446	511307	461008	083278	082519	083273	866695
	G132S4/132M4/132N4	7.5-10.0	093544	091825	511307	429961	083279	082519	083273	866695
MW 882-3	M1B4/71C4/71D4	.25 - .33	093545	016222	085048	082736	083277	085539	082519	085712
	(1) M1C4/71E4/80F/80G4	.50-.75-1.00	093546	016222	085048	082639	083277	085539	082519	085712
	71E4-L4/80F4-L8/80G4-L8	.50-.75-1.00	093547	140562	085048	082639	083277	085539	082519	085712
	A90SH4/90H4/A90L/9014	1.50-2.00	093548	011536	085048	082639	083277	085539	082519	085712
	A100LA4/100J4	3.00	093549	618268	085048	978001	083277	085539	082519	085712
	A112MA4/112L4	5.00	093550	061446	085048	461008	083278	085539	082519	085712
	G132S4/132M4/132N4	7.5-10.0	093551	091825	085048	429961	083279	085539	082519	085712
MW 1082-3	G160M4/160P4/160Q4	15.0-20.0	093552	513270	085048	082640	083296	085539	082519	085712
	(1) G80M4/80G4	1.00	093553	016222	084855	082639	083277	081986	085539	085711
	80G4-L8	1.00	093554	140562	084855	082639	083277	081986	085539	085711
	A90SH4/90H4/A90L/9014	1.50-2.00	093555	011536	084855	082639	083277	081986	085539	085711
	A100LA4/100J4	3.00	093556	618268	084855	978001	083277	081986	085539	085711
	A112MA4/112L4	5.00	093557	061446	084855	461008	083278	081986	085539	085711
	G132S4/132M4/132N4	7.5-10.0	093558	091825	084855	429961	083279	081986	085539	085711
	G160M4/160P4/160Q4	15.0-20.0	093559	513270	084855	082640	083296	081986	085539	085711
	G180M4	25.00	093560	189098	084855	082641	081991	081986	085539	085711
	G180L4	30.00	093561	189098	084855	082641	081991	081986	085539	085711
MW 1282-3	A90SH4/90H4/A90L/9014	1.50-2.00	093562	011536	085058	082639	083277	081987	081986	975504
	A100LA4/100J4	3.00	093563	618268	085058	978001	083277	081987	081986	975504
	A112MA4/112L4	5.00	093564	061446	085058	461008	083278	081987	081986	975504
	G132S4/132M4/132N4	7.5-10.0	093565	091825	085058	429961	083279	081987	081986	975504
	G160M4/160P4/160Q4	15.0-20.0	093566	513270	085058	082640	083296	081987	081986	975504
	G180M4	25.00	093567	189098	085058	082641	081991	081987	081986	975504
	G180L4	30.00	093568	189098	085058	082641	081991	081987	081986	975504
	G200L4	40.00	093569	189098	085058	082641	081991	081987	081986	975504
	A225SE4	50.00	093570	306371	085058	082642	081992	081987	081986	975504
	A225ME4	60.00	-----	-----	085057	-----	081992	081988	081987	085491
MW 1482-3	A100LA4/100J4	3.00	093571	618268	085057	978001	083277	081988	081987	085491
	A112MA4/112L4	5.00	093572	061446	085057	461008	083278	081988	081987	085491
	G132S4/132M4/132N4	7.5-10.0	093573	091825	085057	429961	083279	081988	081987	085491
	G160M4/160P4/160Q4	15.0-20.0	093574	513270	085057	082640	083296	081988	081987	085491
	G180M4	25.00	093575	189098	085057	082641	081991	081988	081987	085491
	G180L4	30.00	093576	189098	085057	082641	081991	081988	081987	085491
	G200L4	40.00	093577	189098	085057	082641	081991	081988	081987	085491
	A225SE4	50.00	093578	306371	085057	082642	081992	081988	081987	085491
	(2) A225ME4	60.00	-----	-----	085057	-----	081992	081988	081987	085491
	(2) A250ME4	75.00	-----	-----	085057	-----	081993	081988	081987	085491
MW 1682-3	G132S4/132M4/132N4	7.5-10.0	093581	091825	085056	429961	083279	081989	081988	085713
	G160M4/160P4/160Q4	15.0-20.0	093582	513270	085056	082640	083296	081989	081988	085713
	G180M4	25.00	093583	189098	085056	082641	081991	081989	081988	085713
	G180L4	30.00	093584	189098	085056	082641	081991	081989	081988	085713
	G200L4	40.00	093585	189098	085056	082641	081991	081989	081988	085713
	A225SE4	50.00	093586	306371	085056	082642	081992	081989	081988	085713
	(2) A225ME4	60.00	-----	-----	085056	-----	081992	081989	081988	085713
	(2) A250ME4	75.00	-----	-----	085056	-----	081993	081989	081988	085713

(1) Brakemotor
(2) Contact renewal parts.
(3) RHB & MSM use different #225 gaskets. Both are included in kit.

MSM & RHB Quantis Seal & Gasket Kit

Gearmotor Input - Hollow Bore & Double Solid Shaft Output

Use for standard gearmotor style motors & brakemotors. Note that brakemotor rating .50-.75-1.00 uses different seal.

Size	Input Motor Frame	HP	Seal & Gasket Kit P/N	Consist of:				
				Input Seal	Output Seal (2 Req'd)	Splash Washer	Input Gasket	Adapter Gasket
BB-BF-MW 382-3	M1B4/71C4/71D4	.25 - .33	093423	016222	504386	082736	083277	083274
	M1C4/71E4/80F/80G4	.50-.75-1.00	093424	016222	504386	082639	083277	083274
	(1) 71E4-L4/80F4-L8/80G4-L8	.50-.75-1.00	093425	140562	504386	082639	083277	083274
	A90SH4/90H4/A90L/9014	1.50-2.00	093426	011536	504386	082639	083277	083274
	A100LA4/100J4	3.00	093427	618268	504386	978001	083277	083274
BB-BF-MW 482-3	M1B4/71C4/71D4	.25 - .33	093428	016222	085046	082736	083277	083273
	M1C4/71E4/80F/80G4	.50-.75-1.00	093429	016222	085046	082639	083277	083273
	(1) 71E4-L4/80F4-L8/80G4-L8	.50-.75-1.00	093430	140562	085046	082639	083277	083273
	A90SH4/90H4/A90L/9014	1.50-2.00	093431	011536	085046	082639	083277	083273
	A100LA4/100J4	3.00	093432	618268	085046	978001	083277	083273
BB-BF-MW 682-3	M1B4/71C4/71D4	.25 - .33	093434	016222	511307	082736	083277	082519
	M1C4/71E4/80F/80G4	.50-.75-1.00	093435	016222	511307	082639	083277	082519
	(1) 71E4-L4/80F4-L8/80G4-L8	.50-.75-1.00	093436	140562	511307	082639	083277	082519
	A90SH4/90H4/A90L/9014	1.50-2.00	093437	011536	511307	082639	083277	082519
	A100LA4/100J4	3.00	093438	618268	511307	978001	083277	082519
BB-BF-MW 882-3	M1B4/71C4/71D4	.25 - .33	093441	016222	085048	082736	083277	085539
	M1C4/71E4/80F/80G4	.50-.75-1.00	093442	016222	085048	082639	083277	085539
	(1) 71E4-L4/80F4-L8/80G4-L8	.50-.75-1.00	093443	140562	085048	082639	083277	085539
	A90SH4/90H4/A90L/9014	1.50-2.00	093444	011536	085048	082639	083277	085539
	A100LA4/100J4	3.00	093445	618268	085048	978001	083277	085539
BB-BF-MW 1082-3	(1) A112MA4/112L4	5.00	093446	061446	085048	461008	083278	085539
	G132S4/132M4/132N4	7.5-10.0	093447	091825	085048	429961	083279	085539
	G160M4/160P4/160Q4	15.0-20.0	093448	513270	085048	082640	083296	085539
	G80M4/80G4	1.00	093449	016222	084855	082639	083277	081986
	80G4-L8	1.00	093450	140562	084855	082639	083277	081986
	A90SH4/90H4/A90L/9014	1.50-2.00	093451	011536	084855	082639	083277	081986
	A100LA4/100J4	3.00	093452	618268	084855	978001	083277	081986
	A112MA4/112L4	5.00	093453	061446	084855	461008	083278	081986
	G132S4/132M4/132N4	7.5-10.0	093454	091825	084855	429961	083279	081986
	G160M4/160P4/160Q4	15.0-20.0	093455	513270	084855	082640	083296	081986
BB-BF-MW 1282-3	G180M4	25.00	093456	189098	084855	082641	081991	081986
	G180L4	30.00	093457	189098	084855	082641	081991	081986
	A90SH4/90H4/A90L/9014	1.50-2.00	093458	011536	085058	082639	083277	081987
	A100LA4/100J4	3.00	093459	618268	085058	978001	083277	081987
	A112MA4/112L4	5.00	093460	061446	085058	461008	083278	081987
	G132S4/132M4/132N4	7.5-10.0	093461	091825	085058	429961	083279	081987
	G160M4/160P4/160Q4	15.0-20.0	093462	513270	085058	082640	083296	081987
	G180M4	25.00	093463	189098	085058	082641	081991	081987
	G180L4	30.00	093464	189098	085058	082641	081991	081987
	G200L4	40.00	093465	189098	085058	082641	081991	081987
BB-BF-MW 1482-3	A225SE4	50.00	093466	306371	085058	082642	081992	081987
	A100LA4/100J4	3.00	093467	618268	085057	978001	083277	081988
	A112MA4/112L4	5.00	093468	061446	085057	461008	083278	081988
	G132S4/132M4/132N4	7.5-10.0	093469	091825	085057	429961	083279	081988
	G160M4/160P4/160Q4	15.0-20.0	093470	513270	085057	082640	083296	081988
	G180M4	25.00	093471	189098	085057	082641	081991	081988
	G180L4	30.00	093472	189098	085057	082641	081991	081988
	G200L4	40.00	093473	189098	085057	082641	081991	081988
	A225SE4	50.00	093474	306371	085057	082642	081992	081988
	(2) A225ME4	60.00	----	----	085057	----	081992	081988
(2) A250ME4	75.00	----	----	085057	----	081993	081988	
BB-BF-MW 1682-3	G132S4/132M4/132N4	7.5-10.0	093477	091825	085056	429961	083279	081989
	G160M4/160P4/160Q4	15.0-20.0	093478	513270	085056	082640	083296	081989
	G180M4	25.00	093479	189098	085056	082641	081991	081989
	G180L4	30.00	093480	189098	085056	082641	081991	081989
	G200L4	40.00	093481	189098	085056	082641	081991	081989
	A225SE4	50.00	093482	306371	085056	082642	081992	081989
	(2) A225ME4	60.00	----	----	085056	----	081992	081989
	(2) A250ME4	75.00	----	----	085056	----	081993	081989

(1) Brakemotor
(2) Contact renewal parts.

MSM & RHB Quantis Seal & Gasket Kit

C-Face Input - Nema & IEC - 3 Piece Coupled & Clamp Collar

Hollow Bore and Double Solid Shaft Output

Size	Input Motor Frame	Seal & Gasket Kit	Consists of:						
			Input Seal	Output Seal (2 Req'd)	Splash Washer	Input Gasket	Input Gasket	MSM Adpt Gasket (1)	RHB Adpt Gasket (1)
BB-BF-MW 382-3	56C	093357	016222	504386	082736	083277	-----	083274	-----
	140TC-80-90	093358	011536	504386	082639	083277	-----	083274	-----
	180TC-100	093359	618268	504386	978001	083277	-----	083274	-----
BB-BF-MW 482-3	56C	093360	016222	085046	082736	083277	-----	083273	083274
	140TC-80-90	093361	011536	085046	082639	083277	-----	083273	083274
	180TC-100	093362	618268	085046	978001	083277	-----	083273	083274
BB-BF-MW 682-3	56C	093363	016222	511307	082736	083277	-----	082519	083273
	140TC-80-90	093364	011536	511307	082639	083277	-----	082519	083273
	180TC-100 (3)	093365	618268	511307	978001	083277	083278	082519	083273
	112	093366	061446	511307	978001	083278	-----	082519	083273
BB-BF-MW 882-3	210TC-132	093367	091825	511307	429961	083279	-----	082519	083273
	56C	093368	016222	085048	082736	083277	-----	085539	082519
	140TC-80-90	093369	011536	085048	082639	083277	-----	085539	082519
	180TC-100 (3)	093370	618268	085048	978001	083277	083278	085539	082519
	112	093371	061446	085048	978001	083278	-----	085539	082519
BB-BF-MW 1082-3	210TC-132	093372	091825	085048	429961	083279	-----	085539	082519
	250TC-160	093373	513270	085048	082640	083296	-----	085539	082519
	140TC-80-90	093374	011536	084855	082639	083277	-----	081986	085539
	180TC-100 (3)	093375	618268	084855	978001	083277	083278	081986	085539
	112	093376	061446	084855	978001	083278	-----	081986	085539
	210TC-132	093377	091825	084855	429961	083279	-----	081986	085539
BB-BF-MW 1282-3	250TC-160	093378	513270	084855	082640	083296	-----	081986	085539
	280TC-180-200	093379	189098	084855	082641	081991	-----	081986	085539
	140TC-80-90	093380	011536	085058	082639	083277	-----	081987	081986
	180TC-100 (3)	093381	618268	085058	978001	083277	083278	081987	081986
	112	093382	061446	085058	978001	083278	-----	081987	081986
	210TC-132	093383	091825	085058	429961	083279	-----	081987	081986
	250TC-160	093384	513270	085058	082640	083296	-----	081987	081986
BB-BF-MW 1482-3	280TC-180-200	093385	189098	085058	082641	081991	-----	081987	081986
	320TC-225	093386	306371	085058	082642	081992	-----	081987	081986
	180TC-100 (3)	093388	618268	085057	978001	083277	083278	081988	081987
	112	093387	061446	085057	978001	083278	-----	081988	081987
	210TC-132	093389	091825	085057	429961	083279	-----	081988	081987
	250TC-160	093390	513270	085057	082640	083296	-----	081988	081987
	280TC-180-200	093391	189098	085057	082641	081991	-----	081988	081987
BB-BF-MW 1682-3	320TC-225	093392	306371	085057	082642	081992	-----	081988	081987
	360TC-250 (2)	093393	306371	085057	082642	081993	-----	081988	081987
	210TC-132	093394	091825	085056	429961	083279	-----	081989	081988
	250TC-160	093395	513270	085056	082640	083296	-----	081989	081988
	280TC-180-200	093396	189098	085056	082641	081991	-----	081989	081988
	320TC-225	093397	306371	085056	082642	081992	-----	081989	081988
	360TC-250 (2)	093398	306371	085056	082642	081993	-----	081989	081988

- (1) RHB & MSM use different #225 gaskets. Both are included in kit.
- (2) Nema 360TC clamp collar input assembly uses input seal 093667. Do not use seal kit part number.
- (3) Kit includes #220 gaskets for both original design 180TC input and redesigned 180TC input (Feb 2005). Discard unused gasket.

MSM & RHB Quantis Seal & Gasket Kit

C-Face Input - Nema & IEC - 3 Piece Coupled & Clamp Collar

Single Extension Solid Shaft Output

Size	Input Motor Frame	Seal & Gasket Kit	Consists of:						
			Input Seal	Output Seal	Splash Washer	Input Gasket	MSM Adpt Gasket (1)	RHB Adpt Gasket (1)	Output Bore Plug
BB-BF-MW 382-3	56C	093485	016222	504386	082736	083277	083274	-----	985869
	140TC-80-90	093486	011536	504386	082639	083277	083274	-----	985869
	180TC-100	093487	618268	504386	978001	083277	083274	-----	985869
BB-BF-MW 482-3	56C	093488	016222	085046	082736	083277	083273	083274	691526
	140TC-80-90	093489	011536	085046	082639	083277	083273	083274	691526
	180TC-100	093490	618268	085046	978001	083277	083273	083274	691526
BB-BF-MW 682-3	56C	093491	016222	511307	082736	083277	082519	083273	866695
	140TC-80-90	093492	011536	511307	082639	083277	082519	083273	866695
	180TC-100 (1)	093493	618268	511307	978001	083277	082519	083273	866695
	180TC (2)	236182	618268	511317	978001	083278	082519	083273	866695
	112	093494	061446	511307	978001	083278	082519	083273	866695
BB-BF-MW 882-3	210TC-132	093495	091825	511307	429961	083279	082519	083273	866695
	56C	093496	016222	085048	082736	083277	085539	082519	085712
	140TC-80-90	093497	011536	085048	082639	083277	085539	082519	085712
	180TC-100 (1)	093498	618268	085048	978001	083277	085539	082519	085712
	180TC (2)	236183	618268	085048	978001	083278	085539	082519	085712
	112	093499	061446	085048	978001	083278	085539	082519	085712
	210TC-132	093500	091825	085048	429961	083279	085539	082519	085712
BB-BF-MW 1082-3	250TC-160	093501	513270	085048	082640	083296	085539	082519	085712
	140TC-80-90	093502	011536	084855	082639	083277	081986	085539	085711
	180TC-100 (1)	093503	618268	084855	978001	083277	081986	085539	085711
	180TC (2)	236184	618268	084855	978001	083278	081986	085539	085711
	112	093504	061446	084855	978001	083278	081986	085539	085711
	210TC-132	093505	091825	084855	429961	083279	081986	085539	085711
	250TC-160	093506	513270	084855	082640	083296	081986	085539	085711
BB-BF-MW 1282-3	280TC-180-200	093507	189098	084855	082641	081991	081986	085539	085711
	140TC-80-90	093508	011536	085058	082639	083277	081987	081986	975504
	180TC-100 (1)	093509	618268	085058	978001	083277	081987	081986	975504
	180TC (2)	236185	618268	085058	978001	083278	081987	081896	975504
	112	093510	061446	085058	978001	083278	081987	081986	975504
	210TC-132	093511	091825	085058	429961	083279	081987	081986	975504
	250TC-160	093512	513270	085058	082640	083296	081987	081986	975504
	280TC-180-200	093513	189098	085058	082641	081991	081987	081986	975504
BB-BF-MW 1482-3	320TC-225	093514	306371	085058	082642	081992	081987	081986	975504
	180TC-100 (1)	093515	061446	085057	978001	083277	081988	081987	085491
	180TC (2)	236186	618268	085057	978001	083278	081988	081987	085491
	112	093516	618268	085057	978001	083278	081988	081987	085491
	210TC-132	093517	091825	085057	429961	083279	081988	081987	085491
	250TC-160	093518	513270	085057	082640	083296	081988	081987	085491
	280TC-180-200	093519	189098	085057	082641	081991	081988	081987	085491
	320TC-225	093520	306371	085057	082642	081992	081988	081987	085491
	360TC-250 (2)	093521	306371	085057	082642	081993	081988	081987	085491
BB-BF-MW 1682-2	210TC-132	093522	091825	085056	429961	083279	081989	081988	085713
	250TC-160	093523	513270	085056	082640	083296	081989	081988	085713
	280TC-180-200	093524	189098	085056	082641	081991	081989	081988	085713
	320TC-225	093525	306371	085056	082642	081992	081989	081988	085713
	360TC-250 (2)	093526	306371	085056	082642	081993	081989	081988	085713

(1) RHB & MSM use different #225 gaskets. Both are included in kit.

(2) Nema 360TC clamp collar input assembly uses input seal 093667. Do not use seal kit part number.



RENEWAL PARTS DATA

Special Viton Seal Chart C-Face and Separate Inputs

Viton seals are not supplied as standard equipment. Use only when requested or when replacing Viton seals that were supplied with the original equipment. Viton option available on c-face and separate inputs only.

Use Viton seals when changing to synthetic lube or when such lube was supplied as original equipment (Mobile SHC - Tribol).

Size	ILH SERIES		Output Seal
	C-Face Motor Frame	Input Seal (2)	
ILH 381	56C-G63-G71	093341	366992
	140TC-80-90	093343	366992
	180TC-100	093345	366992
ILH 382-3	56C-G63-G71	093341	366992
	140TC-80-90	093343	366992
	180TC-100	093345	366992
ILH 481	56C-G63-G71	093341	366992
	140TC-80-90	093343	366992
	180TC-100	093345	366992
ILH 482-3	56C-G63-G71	093341	086546
	140TC-80-90	093343	086546
	180TC-100	093345	086546
ILH 681	56C-G63-G71	093341	086546
	140TC-80-90	093343	086546
	180TC-100	093345	086546
ILH 682-3	56C-G63-G71	093341	086546
	140TC-80-90	093343	086546
	180TC-100	093345	086546
ILH 881	56C-G63-G71	093341	084593
	140TC-80-90	093343	084593
	180TC-100	093345	084593
ILH 882-3	56C-G63-G71	093341	194627
	140TC-80-90	093343	194627
	180TC-100	093345	194627
ILH 1082-3	56C-G63-G71	093341	366993
	140TC-80-90	093343	366993
	180TC-100	093345	366993
ILH 1282-3	56C-G63-G71	093341	198653
	140TC-80-90	093343	198653
	180TC-100	093345	198653
ILH 1482-3	56C-G63-G71	093341	198653
	140TC-80-90	093343	198653
	180TC-100	093345	198653
ILH 1682-3	56C-G63-G71	093341	300797
	140TC-80-90	093343	300797
	180TC-100	093345	300797

Size	MSM-RHB SERIES		Output Seal
	C-Face Motor Frame	Input Seal (2)	
MSM -RHB 382-3	56C-G63-G71	093341	750972
	140TC-80-90	093343	750972
	180TC-100	093345	750972
MSM -RHB 482-3	56C-G63-G71	093341	366955
	140TC-80-90	093343	366955
	180TC-100	093345	366955
MSM -RHB 682-3	56C-G63-G71	093341	969009
	140TC-80-90	093343	969009
	180TC-100	093345	969009
MSM -RHB 882-3	56C-G63-G71	093341	302824
	140TC-80-90	093343	302824
	180TC-100	093345	302824
MSM -RHB 1082-3	56C-G63-G71	093341	088620
	140TC-80-90	093343	088620
	180TC-100	093345	088620
MSM -RHB 1282-3	56C-G63-G71	093341	088620
	140TC-80-90	093343	088620
	180TC-100	093345	088620
MSM -RHB 1482-3	56C-G63-G71	093341	195171
	140TC-80-90	093343	195171
	180TC-100	093345	195171
MSM -RHB 1682-3	56C-G63-G71	093341	305278
	140TC-80-90	093343	305278
	180TC-100	093345	305278
MSM -RHB 1882-3	56C-G63-G71	093341	366990
	140TC-80-90	093343	366990
	180TC-100	093345	366990

Separate Adpt. Size	SEPARATE INPUT - ALL SERIES (1) Use for Inch and Metric Shafts	
	Seal #525 (Extn Side)	Seal #535 (Reducer Side)
IEC 71	093341	093342
IEC 80 & 90	093343	093344
IEC 100	093345	093346
IEC 112	093347	093348
IEC 132	093349	093350
IEC 160	093351	093350
IEC 180	093353	093354
IEC 225 & 250	093355	093356

(1) For output seals select from C-face chart. This page based on style of reducer to which separate input is mounted (ILH-MSM-RHB).
(2) When ordering replacement input seal, splash washer should also be ordered. See standard seal chart for selection.

XT Harsh Duty Output Seal Chart

Two part output seal for use in severe applications.

Select input seals from standard chart.

ILH	
Size	Part Number
381-2-3	081839
481	081839
482-3	081843
681	081843
682-3	081846
881	081889
882-3	081859
1082-3	081873
1282-3	081877
1482-2	081880
1682-3	081883

RHB - MSM	
Size	Part Number
382-3	081887
482-3	081889
682-3	081893
882-3	081896
1082-3	086788
1282-3	086790
1482-2	086792
1682-3	086794

Standard Stock Motor List

Quantis Gearmotor Style

Continuous Duty - Class F Insulation-1.00 S.F. - 40 Amb

HP	Current Model No.	Obsolete Model No.	Frame	RPM	Hertz	Phase	Voltage	(1) Enclosure
0.25	018603	160134	M1B4	1750	60	3	208-230/460	TEFC
0.33	018604	160135	M1B4	1750	60	3	208-230/460	TEFC
0.50	018605	160136	M1C4	1750	60	3	208-230/460	TEFC
0.75	018606	160137	M1P4	1750	60	3	208-230/460	TEFC
1.00	018607	160138	G80M4	1750	60	3	208-230/460	TEFC
1.50	018608	160158	A90SH4	1750	60	3	208-230/460	TEFC
2.00	018609	160159	A90LI4	1750	60	3	208-230/460	TEFC
3.00	018610	160160	A100LA4	1750	60	3	208-230/460	TEFC
5.00	018611	160161	A100LI4	1750	60	3	208-230/460	TEFC
5.00	018612	160168	A112MA4	1750	60	3	208-230/460	TEFC
7.50	018613	160169	G132S4	1750	60	3	208-230/460	TEFC
10.00	018614	160170	G132M4	1750	60	3	208-230/460	TEFC
15.00	018615	160171	G160M4	1750	60	3	208-230/460	TEFC
20.00	018616	160178	G106L4	1750	60	3	208-230/460	TEFC
25.00	018617	090508	180R4	1750	60	3	208-230/460	TEFC
30.00	018618	090509	180S4	1750	60	3	208-230/460	TEFC
40.00	018619	090510	200T4	1750	60	3	208-230/460	TEFC
50.00	018620	090511	225U4	1750	60	3	208-230/460	TEFC
60.00	018044	-	225V4	1750	60	3	208-230/460	TEFC
75.00	018045	-	225W4	1750	60	3	208-230/460	TEFC

(1) Enclosure is IP55 suitable for washdown.

Brakemotor Stock List

Quantis Gearmotor Style

Continuous Duty - Class F Insulation - 1.00 S.F. - 40 Amb

Brake coils are rectified DC suitable for operation on 230 VAC

HP	Brake Torque	Current Model No.	Obsolete Model No.	Frame	Brake Type	RPM	Voltage	Hz	Phase	(1) Enclosure
0.25	3	018558	160179	71C4	L4	1750	208-230/460	60	3	TEFC
0.33	3	018559	160181	71D4	L4	1750	208-230/460	60	3	TEFC
0.50	3	018560	160182	71E4	L4	1750	208-230/460	60	3	TEFC
0.75	6	018561	160188	80F4	L8	1750	208-230/460	60	3	TEFC
0.75	3	018562	090611	80F4	L4	1750	208-230/460	60	3	TEFC
1.00	6	018563	160189	80G4	L8	1750	208-230/460	60	3	TEFC
1.00	3	018564	090612	80G4	L4	1750	208-230/460	60	3	TEFC
1.50	12	018565	160190	90H4	L16	1750	208-230/460	60	3	TEFC
1.50	6	018566	090613	90H4	L8	1750	208-230/460	60	3	TEFC
2.00	12	018567	160191	90I4	L16	1750	208-230/460	60	3	TEFC
2.00	6	018568	090614	90I4	L8	1750	208-230/460	60	3	TEFC
3.00	24	018569	160194	100J4	L32	1750	208-230/460	60	3	TEFC
3.00	12	018570	090615	100J4	L16	1750	208-230/460	60	3	TEFC
5.00	24	018571	160213	100L4	L32	1750	208-230/460	60	3	TEFC
5.00	12	018572	090616	100L4	L16	1750	208-230/460	60	3	TEFC
5.00	44	018573	160214	112L4	L60	1750	208-230/460	60	3	TEFC
5.00	24	018574	090617	112L4	L32	1750	208-230/460	60	3	TEFC
7.50	59	018575	160215	132M4	L80	1750	208-230/460	60	3	TEFC
10.00	59	018576	160216	132N4	L80	1750	208-230/460	60	3	TEFC
15.00	111	018583	090530	160P4	L150	1750	208-230/460	60	3	TEFC
20.00	111	018639	090531	160Q4	L150	1750	208-230/460	60	3	TEFC
20.00	192	018641	090618	160Q4	L260	1750	208-230/460	60	3	TEFC
25.00	192	018642	090532	180R4	L260	1750	208-230/460	60	3	TEFC
25.00	295	018643	090619	180R4	L400	1750	208-230/460	60	3	TEFC
30.00	192	018644	090533	180S4	L260	1750	208-230/460	60	3	TEFC
30.00	295	018645	090620	180S4	L400	1750	208-230/460	60	3	TEFC
40.00	295	018646	090534	200T4	L400	1750	208-230/460	60	3	TEFC
40.00	192	018647	090621	200T4	L260	1750	208-230/460	60	3	TEFC
50.00	295	018648	090535	225U4	L400	1750	208-230/460	60	3	TEFC
60.00	295	018649	-	225V4	L400	1750	208-230/460	60	3	TEFC
75.00	295	018650	-	250W4	L400	1750	208-230/460	60	3	TEFC

(1) Enclosure is IP55 suitable for washdown.



Motor Replacement Parts

Quantis Gearmotor Input

Note: Part numbers listed are for use with gearmotors only. Do not use for units with c-face inputs.

Standard Motors

HP/KW	IEC Motor Frame	Motor Model No.	Fan	Fan Cover	Terminal Box Assembly (1)	Terminal Boards	Bearing DE	Bearing NDE	Seal DE	Seal NDE
0,25/0,18	71C4 - L4	018603	093159	159326	363870	-----	011681	037849	016222	093177
0,33/0,25	71D4 - L4	018604	093159	159326	363870	-----	011681	037849	016222	093177
0,50/0,37	71E4 - L4	018605	093160	159329	363870	-----	358942	093174	16222	093178
0,75/0,55	80F4 - L4	018606	093160	159329	363870	-----	358942	093174	16222	093178
1,0/0,75	80G4 - L4	018607	093160	159329	363870	-----	358942	093174	16222	093178
1,5/1,1	90H4 - L4	018608	093161	093166	093171	474337	082590	452125	011536	140554
2,0/1,5	90I4 - L4	018609	093161	093166	093171	474337	082590	452125	011536	140554
3,0/2,2	100J4 - L4	018610	093162	093167	093172	474337	016224	016223	618268	140575
5,0/3,7	112L4 - L4	018612	093163	093168	093172	474337	140664	016223	061446	140575
7,5/5,5	132M4 - L4	018613	093164	093169	093173	198065	653063	140722	091825	142064
10,0/7,5	132N4 - L4	018614	093164	093169	093173	198065	653063	140722	091825	142064
15,0/11	160P4 - L4	018615	093165	093170	093173	198065	143610	093175	513270	078431
20,0/15	160Q4 - L4	018616	093165	093170	093173	198065	143610	093175	513270	078431

Brakemotors

HP/KW	IEC Motor Frame	Motor Model No.	Fan	Fan Cover	Terminal Box Assembly (1)	Terminal Boards	Bearing DE	Bearing NDE	Seal DE	Seal NDE	Seal brake	Splash Washer
0,25/0,18	71C4 - L4	018558	230708	363900	363847	-----	011681	093190	016222	093192	093194	362201
0,33/0,25	71D4 - L4	018559	230708	363900	363847	-----	011681	093190	016222	093192	093194	362201
0,50/0,37	71E4 - L4	018560	093179	363853	363847	-----	358942	093174	140562	016222	140519	358470
0,75/0,55	80F4 - L8	018561	093179	363853	363847	-----	358942	093174	140562	016222	093195	358470
1,0/0,75	80G4 - L8	018562	093179	363853	363847	-----	358942	093174	140562	016222	140519	358470
1,5/1,1	90H4 - L16	018563	093179	363853	363847	-----	358942	093174	140562	016222	093195	358470
2,0/1,5	90I4 - L16	018565	093180	408896	093171	474337	082590	093191	011536	140554	016222	457559
3,0/2,2	100J4 - L32	018567	093180	408896	093171	474337	082590	093191	011536	140554	016222	457559
5,0/3,7	100J4 - L16	018569	093181	421559	093172	474337	016224	016223	618268	093193	140562	457661
	100J4 - L16	018570	093182	093186	093172	474337	016224	016223	618268	093193	140544	457661
	112L4 - L60	018573	093183	093187	093172	474337	093189	016223	061446	140575	140569	461008
	112L4 - L32	018574	093183	093187	093172	474337	093189	016223	061446	140575	140562	461008
7,5/5,5	132M4 - L80	018575	093184	093188	093173	198065	653063	048158	091825	142064	093196	445246
10,0/7,5	132N4 - L80	018576	093184	093188	093173	198065	653063	048158	091825	142064	093196	445246
15,0/11,0	160P4 - L150	018583	093185	428898	093173	198065	143610	448342	513270	078431	093197	457714
20,0/15	160Q4 - L150	018639	093185	428898	093173	198065	143610	448342	513270	078431	093197	457714

(1) Assembly includes terminal block.

Brake and Brake Parts Replacement

Quantis Units With Integral Brakemotors

Brake size may be determined from motor model number (see brakemotor listing) or from sales order record (motor spec ends with brake size -example L8N).

Contact Dodge Renewal Parts for ratings not listed.

Complete brake is considered a stator, rotor, hub, bolt set, flange and friction plate.

BRAKE REPLACEMENT PARTS

Brake Type:		BFK458-06 L-4	BFK458-08 L-8	BFK458-10 L-16	BFK-458-12 L-32
Posit No	Description	3 ft lb	6 ft lb	12 ft lb	24 ft lb
3	Rotor	093592	093600	093607	093614
4	Hub	093593 (1)	093601	093608	093615
	Hub	093594 (2)	-----	-----	-----
6	Flange	093595	093602	093609	093616
7	Stator Model N 103V DC (230V line)	093596	093603	093610	093617
	Stator Model N 205V DC (460V line)	093878	093879	093880	093881
10	Bolt Sets	093597	093604	093611	093618
12	Friction Plate	093598	093605	093612	093619
13	Cover Seal	093599	093606	093613	093620
14	Manual Release	139872	168378	168300	168319
	Rectifier, 103vdc/230vac half wave (std)	093843	093843	093844	093844

(1) Hub with 11 mm bore. Use for 1/4 & 1/3 HP brakemotors only.

(2) Hub with 15 mm bore. Use for 1/2 - 3/4 - 1 HP brakemotors only.

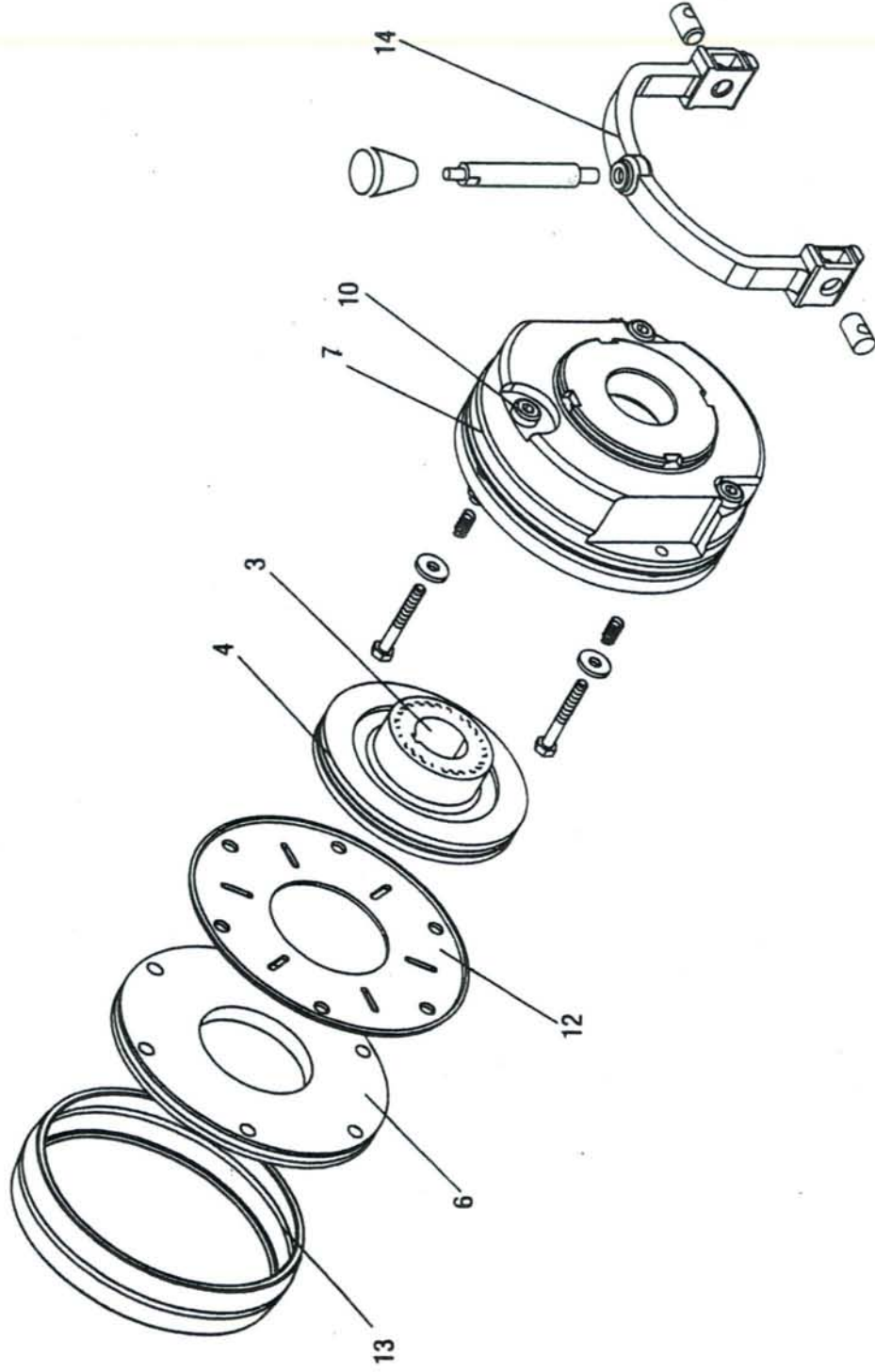
REPLACEMENT BRAKE ASSEMBLIES

Brake Type	Torque Ft Lb	Coil Volts 103 DC (1)	Brake Size	Hub Bore	Reorder Number
L4	3	230/460	BFK458-6E	11 mm	094686
L4	3	230/460	BFK458-6E	15 mm	094685
L8	6	230/460	BFK458-8E	15 mm	094687
L16	12	230/460	BFK458-10E	20 mm	094688
L32	24	230/460	BFK458-12E	25 mm	094689
L60	44	230/460	BFK458-14E	25 mm	094690
L80	59	230/460	BFK458-16E	35 mm	094691
L150	111	230/460	BFK458-18E	35 mm	094692

(1) Standard for 230/460 volt operation. Line voltage is rectified to 103 vDC.

Brake Parts List Drawing

Quantis Brakemotor



Separate Input Adapter Parts List

All Sizes

Inch and Millimeter Input Shafts

Field Conversion to Separate Input: Requires adapter assembly, gearcase adapter and input pinion.

Backstop Reversal: Sizes 38 - 88 it is recommended that input assembly be replaced complete with new assembly constructed for preferred direction of rotation.

Sizes 108- 168 input assembly may be disassembled, backstop flipped and reassembled for preferred rotation. New pinion, input seal, gasket and oil deflector will be needed for reassembly.

Supplying Replament Assemblies or Retrofits:

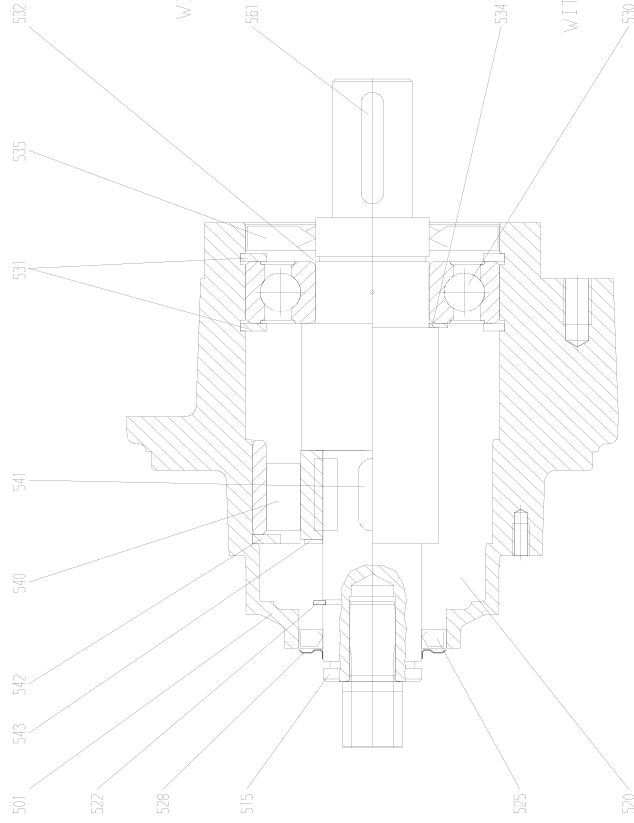
Note motor frame size and pinion shank diameter (mm) from adapter assembly parts list. Select the applicable motor to reducer adapter from basic parts listing (ref #201). Input pinion is to be quoted with assembly because of difficulty in field installation. Use the millimeter diameter following the input shaft description and locate pinion with same shank diameter and ratio in gear chart.

All Separate Adapters are listed with IEC frame references. Use this information to identify the adapter assembly in use. Inch or millimeter input shafts can be determined from unit size (SI =inch, SM = mm).

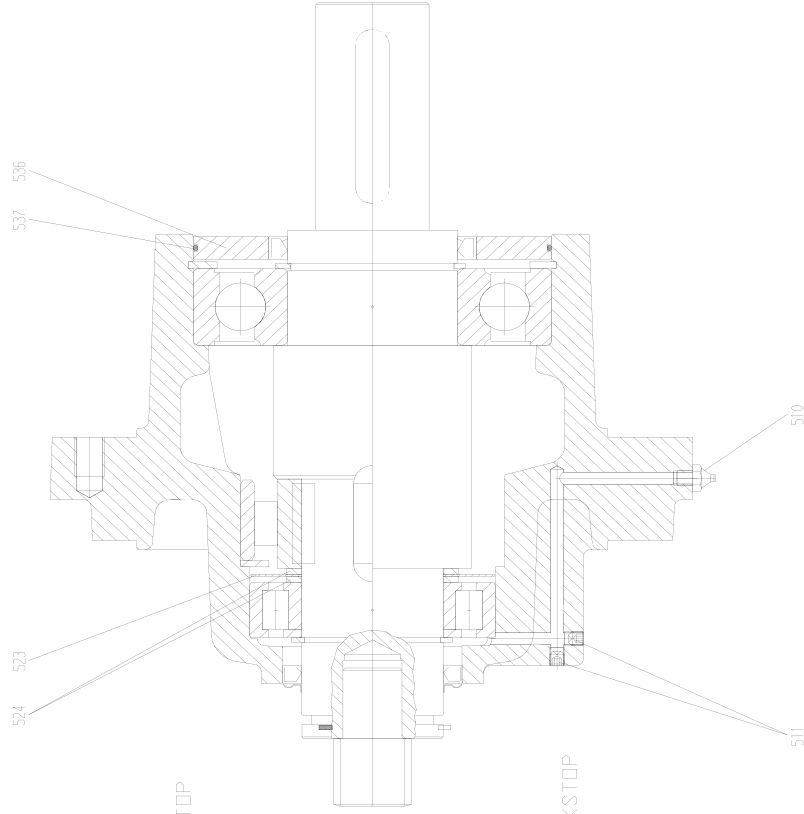


RENEWAL PARTS DATA

IEC BGR 63-132/ NEMA BGR 56-210 - MOTOX-N



IEC BGR 160-250/ NEMA BGR 250-360 - MOTOX-N



DODGE QUANTIS C-FACE ADAPTER ASSEMBLY	
SEPERATE INPUT ASSEMBLY ALL SIZES	
DRAWING NUMBER	
086109	
DODGE	

Separate Adapter Assembly - Frame Size IEC 71/ Nema 56 - Inch Shaft

Drwg. Pos.	Quantity	Part description	Standard Part Number	W/Backstop Part Number
		<i>Separate Adapter Assembly Complete</i>	<i>086812</i>	<i>086448</i>
501	1	Separate Adapter frame size 63/71	084784	084784
515	1	Input shaft frame size NEMA 56, pinion 9mm	085790	085798
520	1	Ball bearing 6204-2Z	093747	093747
522	1	Retaining ring 20X1,2	-----	278710
525	1	Shaft seal A20X35X7	016222	016222
528	1	Splash washer 20X35X3	082736	082736
530	1	Ball bearing 6305-2Z	094045	094045
531	2	Retaining ring 62X2	053512	053512
532	1	Retaining ring 25X1.2	278712	278712
535	1	Shaft seal AS25X62X7-10 NB	124678	124678
540	1	Back-stop FXM31-17 SPZ 72NM	-----	082984
541	1	Key A6X6X20	-----	413259
542	1	Washer D42/60X2,5	-----	175109
561	1	Key 3/16ZX32	103524	103524

Separate Adapter Assembly - Frame Size IEC 71/Nema 56 - MM Shaft

Drwg. Pos.	Quantity	Part description	Standard Part Number	W/Backstop Part Number
		<i>Separate Adapter Assembly Complete</i>	<i>086796</i>	<i>086430</i>
501	1	Cover free input frame size 63/71	084784	084784
515	1	Input shaft frame size IEC 63/71, pinion 9mm	084822	084825
520	1	Ball bearing 6204-2Z	093747	093747
522	1	Retaining ring 20X1,2	-----	278710
525	1	Shaft seal A20X35X7	016222	016222
528	1	Splash washer 20X35X3	082736	082736
530	1	Ball bearing 6305-2Z	094045	094045
531	2	Retaining ring 62X2	053512	053512
532	1	Retaining ring 25X1.2	278712	278712
535	1	Shaft seal AS25X62X7-10	124678	124678
540	1	Back-stop FXM31-17 SPZ 72NM	-----	082984
541	1	Key A6X6X20	-----	413259
542	1	Washer D42/60X2,5	-----	175109
561	1	Key A5X5X32	061420	061420

Separate Adapter Assembly - Frame Size 80 - Inch Shaft

Drwg. Pos.	Quantity	Part description	Standard Part Number	W/Backstop Part Number
		<i>Separate Adapter Assembly Complete</i>	086813	086524
501	1	Separate Adapter frame size 80/90	084788	084788
515	1	Input shaft with shaft end 19.02x40, pinion 10mm	086479	086480
520	1	Ball bearing 6306-2Z	094041	094041
522	1	Retaining ring 30X1,5	-----	051284
525	1	Shaft seal A30X42X7	011536	011536
528	1	Splash washer 30X47X3,5	082639	082639
530	1	Ball bearing 6307-2Z	094042	094042
531	2	Retaining ring 80x2.5	278715	278715
532	1	Retaining ring 35X1.5	278716	278716
535	1	Shaft seal AS35X80X12	136493	136493
540	1	Back-stop FXM46-25 SPZ 300NM	-----	082999
541	2	Key A8X7X20	-----	051573
542	2	Washer 66X80X3	-----	152569
561	1	Key 3/16ZX32	103524	103524

Separate Adapter Assembly - Frame Size 80 - MM Shaft

Drwg. Pos.	Quantity	Part description	Standard Part Number	W/Backstop Part Number
		<i>Separate Adapter Assembly Complete</i>	086798	086431
501	1	Separate Adapter frame size 80/90	084788	084788
515	1	Input shaft frame size IEC 80, pinion 10mm	084785	084814
520	1	Ball bearing 6306-2Z	094041	094041
522	1	Retaining ring 30X1,5	-----	051284
525	1	Shaft seal A30X42X7	011536	011536
528	1	Splash washer 30X47X3,5	082639	082639
530	1	Ball bearing 6307-2Z	094042	094042
531	2	Retaining ring 80x2.5	278715	278715
532	1	Retaining ring 35X1.5	278716	278716
535	1	Shaft seal AS35X80X12	136493	136493
540	1	Back-stop FXM46-25 SPZ 300NM	-----	082999
541	2	Key A8X7X20	-----	051573
542	2	Washer 66X80X3	-----	152569
561	1	Key A6X6X32	051568	051568

Separate Adapter Assembly - Frame Size IEC 90/Nema 140 - Inch Shaft

Drwg. Pos.	Quantity	Part description	Standard Part Number	W/Backstop Part Number
		Separate Adapter Assembly Complete	086814	086449
501	1	Cover free input frame size 80/90	084788	084788
515	1	Input shaft frame size NEMA 140, pinion 12mm	085791	085799
520	1	Ball bearing 6306-2Z	094041	094041
522	1	Retaining ring 30X1,5	-----	051284
525	1	Shaft seal A30X42X7	011536	011536
528	1	Splash washer 30X47X3,5	082639	082639
530	1	Ball bearing 6307-2Z	094042	094042
531	2	Retaining ring 80x2.5	278715	278715
532	1	Retaining ring 35X1.5	278716	278716
535	1	Shaft seal AS35X80X12	136493	136493
540	1	Back-stop FXM46-25 SPZ 300NM	-----	082999
541	2	Key A8X7X20	-----	051573
542	2	Washer 66X80X3	-----	152569
561	1	Key 3/16"X40	105806	105806

Separate Adapter Assembly - Frame Size IEC 90/Nema 140 - MM Shaft

Drwg. Pos.	Quantity	Part description	Standard Part Number	W/Backstop Part Number
		Separate Adapter Assembly Complete	086799	086432
501	1	Separate Adapter frame size 80/90	084788	084788
515	1	Input shaft frame size IEC 90, pinion 12mm	084793	084815
520	1	Ball bearing 6306-2Z	094041	094041
522	1	Retaining ring 30X1,5	-----	051284
525	1	Shaft seal A30X42X7	011536	011536
528	1	Splash washer 30X47X3,5	082639	082639
530	1	Ball bearing 6307-2Z	094042	094042
531	2	Retaining ring 80x2.5	278715	278715
532	1	Retaining ring 35X1.5	278716	278716
535	1	Shaft seal AS35X80X12	136493	136493
540	1	Back-stop FXM46-25 SPZ 300NM	-----	082999
541	2	Key A8X7X20	-----	051573
542	2	Washer 66X80X3	-----	152569
561	1	Key A8X7X40	051583	051583

Separate Adapter Assembly - Frame Size IEC 100/Nema 180 - Inch Shaft

Drwg. Pos.	Quantity	Part description	Standard Part Number	W/Backstop Part Number
		Separate Adapter Assembly Complete	086815	086453
501	1	Separate Adapter frame size 100-180	084790	084790
515	1	Input shaft frame size NEMA 180, pinion 16 mm	085792	085800
520	1	Ball bearing 6307-2Z	094042	094042
522	1	Retaining ring 35X1,5	-----	278716
525	1	Shaft seal A35X52X7	618268	618268
528	1	Splash washer 35X52X4,5	0978001	978001
530	1	Ball bearing 6308-2Z	094044	094044
531	2	Retaining ring 90x3	278704	278704
532	1	Retaining ring 40X1.75	051296	051296
535	1	Shaft seal A40X90X10	086450	086450
540	1	Back-stop FXM51-25 SPZ 378NM	-----	083576
541	1	Key A10x8x28	-----	051590
542	1	Washer 65X85X3,5	-----	654019
561	1	Key 1/4"X50	105807	105807

Separate Adapter Assembly - Frame Size IEC 100/Nema 180 - MM Shaft

Drwg. Pos.	Quantity	Part description	Standard Part Number	W/Backstop Part Number
		Separate Adapter Assembly Complete	086803	086433
501	1	Separate Adapter frame size 100	084790	084790
515	1	Input shaft frame size IEC 100, pinion 16 mm, back-stop	084805	084817
520	1	Ball bearing 6307-2Z	094042	094042
522	1	Retaining ring 35X1,5	-----	278716
525	1	Shaft seal A35X52X7	618268	618268
528	1	Splash washer 35X52X4,5	978001	978001
530	1	Ball bearing 6308-2Z	094044	094044
531	2	Retaining ring 90x3	278704	278704
532	1	Retaining ring 40X1.75	051296	051296
535	1	Shaft seal A40X90X10	086450	086450
540	1	Back-stop FXM51-25 SPZ 378NM	-----	083576
541	1	Key A10x8x28	-----	051590
542	1	Washer 65X85X3,5	-----	654019
561	1	Key A8X7X50	051585	051585

Separate Adapter Assembly - Frame Size IEC 112 - Inch Shaft

Drwg. Pos.	Quantity	Part description	Part Number	Part Number
		Separate Adapter Assembly Complete	086816	086520
501	1	Separate Adapter frame size 112	084792	084792
515	1	Input shaft with shaft end 31.75X60, pinion 18 mm	086477	086478
520	1	Ball bearing 6308-2Z	094044	094044
522	1	Retaining ring 40X1,75	-----	051296
525	1	Shaft seal A40X55X7	061446	061446
528	1	Splash washer 40X57X3,5	461008	461008
530	1	Ball bearing 6309-2Z	07914703CU	07914703CU
531	2	Retaining ring 100x3	051331	051331
532	1	Retaining ring 45x1.75	051301	051301
535	1	Shaft seal A45X100X10	086451	086451
540	1	Back-stop FXM61-19 SPZ 320NM	-----	083578
541	1	Key B12X8X22	-----	690880
542	1	Washer 75X95X3,5	-----	066312
543	1	Washer 40X50X2,5	-----	053483
561	1	Key 5/16"X56	100607	100607

Separate Adapter Assembly - Frame Size IEC 112 - MM Shaft

Drwg. Pos.	Quantity	Part description	Standard Part Number	W/Backstop Part Number
		Separate Adapter Assembly Complete	086804	086434
501	1	Separate Adapter frame size 112	084792	084792
515	1	Input shaft frame size IEC 112, pinion 18 mm	084806	084818
520	1	Ball bearing 6308-2Z	094044	094044
522	1	Retaining ring 40X1,75	-----	051296
525	1	Shaft seal A40X55X7	061446	061446
528	1	Splash washer 40X57X3,5	461008	461008
530	1	Ball bearing 6309-2Z	07914703CU	07914703CU
531	2	Retaining ring 100x3	051331	051331
532	1	Retaining ring 45x1.75	051301	051301
535	1	Shaft seal A45X100X10	086451	086451
540	1	Back-stop FXM61-19 SPZ 320NM	-----	083578
541	1	Key B12X8X22	-----	690880
542	1	Washer 75X95X3,5	-----	066312
543	1	Washer 40X50X2,5	-----	053483
561	1	Key A8X7X50	051585	051585

Separate Adapter Assembly - Frame Size IEC 132/ Nema 210TC - Inch Shaft

Drwg. Pos.	Quantity	Part description	Standard Part Number	W/Backstop Part Number
		Separate Adapter Assembly Complete	086817	086454
501	1	Separate Adapter frame size 132	084796	084796
515	1	Input shaft frame size NEMA 210, pinion 22 mm, back-stop	085793	085801
520	1	Ball bearing 6310-2Z	094043	094043
522	1	Retaining ring 50X2	-----	051304
525	1	Shaft seal A50X65X8	091825	091825
528	1	Splash washer 50X70X4,5	429961	429961
530	1	Ball bearing 6311-2Z	082976	082976
531	2	Retaining ring 120x4	051335	051335
532	1	Retaining ring 55x2	051308	051308
534	1	Washer 55X68X3,0	040141	-----
535	1	Shaft seal AS55X90X10	085046	085046
536	1	Ring 90X120X10	085007	085007
537	1	O-Ring 110X3	091544	091544
540	1	Back-stop FXM76-25 SPZ 800NM	-----	083579
541	1	Key A16X10X45	-----	043000
561	1	Key 5/16ZX70	105808	105808

Separate Adapter Assembly - Frame Size IEC 132/Nema 210TC - MM Shaft

Drwg. Pos.	Quantity	Part description	Standard Part Number	W/Backstop Part Number
		Separate Adapter Assembly Complete	086425	086435
501	1	Separate Adapter frame size 132	084796	084796
515	1	Input shaft frame size IEC 132, pinion 22mm	084807	084819
520	1	Ball bearing 6310-2Z	094043	094043
522	1	Retaining ring 50X2	-----	051304
525	1	Shaft seal A50X65X8	091825	091825
528	1	Splash washer 50X70X4,5	429961	429961
530	1	Ball bearing 6311-2Z	082976	082976
531	2	Retaining ring 120x4	051335	051335
532	1	Retaining ring 55x2	051308	051308
534	1	Washer 55X68X3,0	040141	-----
535	1	Shaft seal AS55X90X10	085046	085046
536	1	Ring 90X120X10	085007	085007
537	1	O-Ring 110X3	091544	091544
540	1	Back-stop FXM76-25 SPZ 800NM	-----	083579
541	1	Key A16X10X45	-----	043000
561	1	Key A10X8X70	051598	051598

Separate Adapter Assembly - Frame Size IEC 160/Nema 250TC - Inch Shaft

Drwg. Pos.	Quantity	Part description	Standard Part Number	W/Backstop Part Number
		Separate Adapter Assembly Complete	086818	086455
501	1	Separate Adapter frame size 160	084798	084798
510	1	Lubrication nipple AM8X1,25	027364	027364
515	1	Input shaft frame size NEMA 250, pinion 28 mm	085794	085802
520	1	Cylindrical roller bearing NUP2212	082983	082983
522	1	Retaining ring 60X2	051310	051310
523	1	Bearing Shield	086462	086462
524	2	Washer 60X75X3	053745	053745
525	1	Shaft seal A60X80X8	513270	513270
528	1	Splash washer 60X80X4,5	082640	082640
530	1	Ball bearing 6311-2Z	082976	082976
531	2	Retaining ring 120x4	051335	051335
532	3	Retaining ring 55x3 (1)	084445	084445
535	1	Shaft seal AS55X90X10	085046	085046
536	1	Ring 90X120X10	085007	085007
537	1	O-Ring 110X3	091544	091544
540	1	Back-stop FXM76-25 SPZ 800NM	-----	083579
541	1	Key B16X10X32	-----	441937
561	1	Key 3/8"X80	105811	105811

(1) Standard assembly uses qty 1, backstop uses qty 3.

Separate Adapter Assembly - Frame Size IEC 160/Nema 250TC - MM Shaft

Drwg. Pos.	Quantity	Part description	Standard Part Number	W/Backstop Part Number
		Separate Adapter Assembly Complete	086806	086436
501	1	Separate Adapter frame size 160	084798	084798
510	1	Lubrication nipple AM8X1,25	027364	027364
515	1	Input shaft frame size IEC 160, pinion 28 mm	085510	084820
520	1	Cylindrical roller bearing NUP2212	082983	082983
522	1	Retaining ring 60X2	051310	051310
523	1	Bearing Shield	086462	086462
524	2	Washer 60X75X3	053745	053745
525	1	Shaft seal A60X80X8	513270	513270
528	1	Splash washer 60X80X4,5	082640	082640
530	1	Ball bearing 6311-2Z	082976	082976
531	2	Retaining ring 120x4	051335	051335
532	3	Retaining ring 55x3 (1)	084445	084445
535	1	Shaft seal AS55X90X10	085046	085046
536	1	Ring 90X120X10	085007	085007
537	1	O-Ring 110X3	091544	091544
540	1	Back-stop FXM76-25 SPZ 800NM	-----	083579
541	1	Key B16X10X32	-----	441937
561	1	Key A12X8X90	024485	024485

(1) Standard assembly uses qty 1, backstop uses qty 3.

Separate Adapter Assembly - Frame Size IEC 180-200/Nema 280 - Inch Shaft

Drwg. Pos.	Quantity	Part description	Standard Part Number	W/Backstop Part Number
		Separate Adapter Assembly Complete	086819	086456
501	1	Separate Adapter frame size 180/200	085498	085498
510	1	Lubrication nipple AM8X1,25	027364	027364
515	1	Input shaft frame size NEMA 280, pinion 36 mm	085795	085803
520	1	Cylindrical roller bearing NUP2215ECP	681946	681946
522	1	Retaining ring 75X2,5	051320	051320
523	1	Sealing washer 75x129x1	084756	084756
524	2	Washer 75X95X3,5	094491	094491
525	1	Shaft seal A70X90X10	189098	189098
528	1	Splash washer 70X90X4,5	082641	082641
530	1	Ball bearing 6314-2Z	967822	967822
531	2	Retaining ring 150x4	542520	542520
532	1	Retaining ring 70x2.5	051317	051317
535	1	Shaft seal AS70x90x10	190152	190152
536	1	Ring 150X100X10 for shaft seal	086110	086110
537	1	O-Ring 140X3	750131	750131
540	1	Back-stop FXM101-25 SPZ 1300NM	-----	084759
541	1	Key B20X12X45	-----	698440
542	1	Washer 110X140X3,5	-----	681229
561	1	Key 1/2"X90	105809	105809

Separate Adapter Assembly - Frame Size IEC 180-200/Nema 280 - MM Shaft

Drwg. Pos.	Quantity	Part description	Standard Part Number	W/Backstop Part Number
		Separate Adapter Assembly Complete	086807	086437
501	1	Separate Adapter frame size 180/200	085498	085498
510	1	Lubrication nipple AM8X1,25	027364	027364
515	1	Input shaft frame size IEC 180/200, pinion 36 mm	085511	085740
520	1	Cylindrical roller bearing NUP2215ECP	681946	681946
522	1	Retaining ring 75X2,5	051320	051320
523	1	Sealing washer 75x129x1	084756	084756
524	2	Washer 75X95X3,5	094491	094491
525	1	Shaft seal A70X90X10	189098	189098
528	1	Splash washer 70X90X4,5	082641	082641
530	1	Ball bearing 6314-2Z	967822	967822
531	2	Retaining ring 150x4	542520	542520
532	1	Retaining ring 70x2.5	051317	051317
535	1	Shaft seal AS70x90x10	190152	190152
536	1	Ring 150X100X10 for shaft seal	086110	086110
537	1	O-Ring 140X3	750131	750131
540	1	Back-stop FXM101-25 SPZ 1300NM	-----	084759
541	1	Key B20X12X45	-----	698440
542	1	Washer 110X140X3,5	-----	681229
561	1	Key A16X10X90	079650	079650

Separate Adapter Assembly - Frame Size IEC 225/Nema 320 - Inch Shaft

Drwg. Pos.	Quantity	Part description	Standare Part Number	W/Backstop Part Number
		Separate Adapter Assembly Complete	086820	086457
501	1	Cover free input frame size 225	085500	085500
510	1	Lubrication nipple AM8X1,25	027364	027364
511	2	Dowel pin M8X8	053933	053933
515	1	Input shaft frame size NEMA 320, pinion 39mm	085796	085804
520	1	Cylindrical roller bearing NUP2215ECP	681946	681946
522	1	Retaining ring 75X2,5	051320	051320
523	1	Sealing washer 75x129x1	084756	084756
524	2	Washer 75X95X3,5	094491	094491
525	1	Shaft seal 75X95X10	306371	306371
528	1	Splash washer 75X95X4,5	082642	082642
530	1	Ball bearing 6318-2Z	084663	084663
531	1	Retaining ring 190x4	061400	061400
532	1	Retaining ring 90x3	051326	051326
535	1	Shaft seal AS90X110X13(12)	862762	862762
536	1	Ring 190X110X13 for shaft seal	086107	086107
537	1	O-Ring 183,82X2,62	816965	816965
540	1	Back-stop FXM101-25 SPZ 1300NM	-----	084759
541	1	Key B20X12X45	-----	698440
542	1	Washer 110X140X3,5	-----	681229
561	1	Key 1/2"X90	105809	105809

Separate Adapter Assembly - Frame Size IEC 225/Nema 320 - MM Shaft

Drwg. Pos.	Quantity	Part description	Standard Part Number	W/Backstop Part Number
		Separate Adapter Assembly Complete	086808	086438
501	1	Separate Adapter frame size 225	085500	085500
510	1	Lubrication nipple AM8X1,25	027364	027364
511	2	Threaded Stud	053933	053933
515	1	Input shaft frame size IEC 225, pinion 39 mm	085512	085741
520	1	Cylindrical roller bearing NUP2215ECP	681946	681946
522	1	Retaining ring 75X2,5	051320	051320
523	1	Sealing washer 75x129x1	084756	084756
524	2	Shaft spacer 75x95x3.5	094491	094491
525	1	Seal WDR A75X95X10	306371	306371
528	1	Splash washer 75X95X4,5	082642	082642
530	1	Ball bearing 6318-2Z	084663	084663
531	1	Retaining ring 190x4	061400	061400
532	1	Retaining ring 90x3	051326	051326
535	1	Shaft seal AS90X110X13(12) NB	862762	862762
536	1	Ring 190X110X13 for shaft seal	086107	086107
537	1	O-Ring 183,82X2,62	816965	816965
540	1	Back-stop FXM101-25 SPZ 1300NM	-----	084759
541	1	Key B20X12X45	-----	698440
542	1	Washer	-----	681229
561	1	Key A18X11X110	091545	091545

Separate Adapter Assembly - Frame Size IEC 250/Nema 360 Inch Shaft

Drwg. Pos.	Quantity	Part description	Standard Part Number	W/Backstop Part Number
		Separate Adapter Assembly Complete	086821	086458
501	1	Cover free input frame size 250	085502	085502
510	1	Lubrication nipple AM8X1,25	027364	027364
515	1	Input shaft frame size NEMA 360, pinion 42mm	085797	085805
520	1	Cylindrical roller bearing NUP2215ECP	681946	681946
522	1	Retaining ring 75X2,5	051320	051320
523	1	Sealing washer 75x129x1	084756	084756
524	2	Washer 75X95X3,5	094491	094491
525	1	Shaft seal 75X95X10	306371	306371
528	1	Splash washer 75X95X4,5	082642	082642
530	1	Ball bearing 6318-2Z	084663	084663
531	1	Retaining ring 190x4	061400	061400
532	1	Retaining ring 90X3	051326	051326
535	1	Shaft seal AS90X110X13(12)	862762	862762
536	1	RING 190X110X13 FÜR WDR BAK3	086107	086107
537	1	O-Ring 183,82X2,62	816965	816965
540	1	Back-stop FXM101-25 SPZ 1300NM	-----	084759
541	1	Key B20X12X45	-----	698440
542	1	Washer 110X140X3,5	-----	681229
561	1	Key 5/8"X110	107849	107849

Separate Adapter Assembly - Frame Size IEC 250/Nema 360 - MM Shaft

Drwg. Pos.	Quantity	Part description	Standard Part Number	W/Backstop Part Number
		Separate Adapter Assembly Complete	086809	086439
501	1	Cover free input frame size 250	085502	085502
510	1	Lubrication nipple AM8X1,25	027364	027364
515	1	Input shaft frame size IEC 250, pinion 42mm	085513	085742
520	1	Cylindrical roller bearing NUP2215ECP	681946	681946
522	1	Retaining ring 75X2,5	051320	051320
523	1	Sealing washer 75x129x1	084756	084756
524	2	Washer 75X95X3,5	094491	094491
525	1	Shaft seal 75X95X10	306371	306371
528	1	Splash washer 75X95X4,5	082642	082642
530	1	Ball bearing 6318-2Z	084663	084663
531	1	Retaining ring 190x4	061400	061400
532	1	Retaining ring 90x3	051326	051326
535	1	Shaft seal AS90X110X13(12)	862762	862762
536	1	Ring 190X110X13 for shaft seal	086107	086107
537	1	O-Ring 183,82X2,62	816965	816965
540	1	Back-stop FXM101-25 SPZ 1300NM	-----	084759
541	1	Key B20X12X45	-----	698440
542	1	Washer 110X140X3,5	-----	681229
561	1	Key A18X11X110	091545	091545



RENEWAL PARTS DATA

C Face Adapter Assembly - Clamp Collar Type

All Sizes

Note: When ordering complete assembly also order 1st stage pinion. Select pinion part number from gear chart of applicable reducer size. When retrofitting a c-adapter assembly check #205 reducer adapter plate for compatibility.

Nema Frame C-Face Adapters Clamp Collar

Position Number	Description	Qty	56C	140TC	(1) 180TC	(2) 180TC	210TC	250TC	280TC	320TC	360TC
	Adapter Assembly		086834	086835	086836	094449	086837	093331	093332	093333	093334
501	Adapter Housing	1	090075	090077	090079	094079	090081	093312	093316	093320	093325
502	Plug	2	094495	094495	094495	094495	094495	694657	694657	694657	694657
505	Socket Hd Cap Screw	4	51492	51492	275893	275893	275893	054231	054304	050054	050054
515	Lock Washer	4	275803	275803	275853	275853	275853	050469	050469	054194	054194
	Input Shaft	1	090092	090093	090094	094604	090095	093313	093317	093326	093326
520	Ball Bearing	1	093747	094041	094042	094042	094043	143610	967822	093198	423361
521	Snap Ring, Int	1	278707	278702	278715	278715	051334	051337	542520	699381	093328
522	Snap Ring, Ext	1	278710	051284	278716	278716	051304	051310	051317	093199	051320
525	Shaft Seal	1	016222	011536	618268	618268	091825	513270	189098	306371	093667
528	Splash Washer	1	082736	082639	978001	978001	429961	082640	082641	082642	082642
560	Clamp Collar Assembly (1)	1	081681	081681	367781	367781	367782	158645	158645	162815	086570
A1	Motor Shaft Key	1	090504	090505	090506	090506	090507	093314	093318	093322	093327
A2	Lube Fitting (360TC Only)	1	-----	-----	-----	-----	-----	-----	-----	-----	027364
A3	Seal Carrier (360TC Only)	1	-----	-----	-----	-----	-----	-----	-----	-----	093330
	O-Ring (360TC Only)	1	-----	-----	-----	-----	-----	-----	-----	-----	093666

(1) Original 180TC C-adapter assembly. Discontinued use Feb 2005. Current clamp collar assembly 094449 is not compatible with any style 38 or RHB48.

Must use original clamp collar assembly 086836 on these sizes.

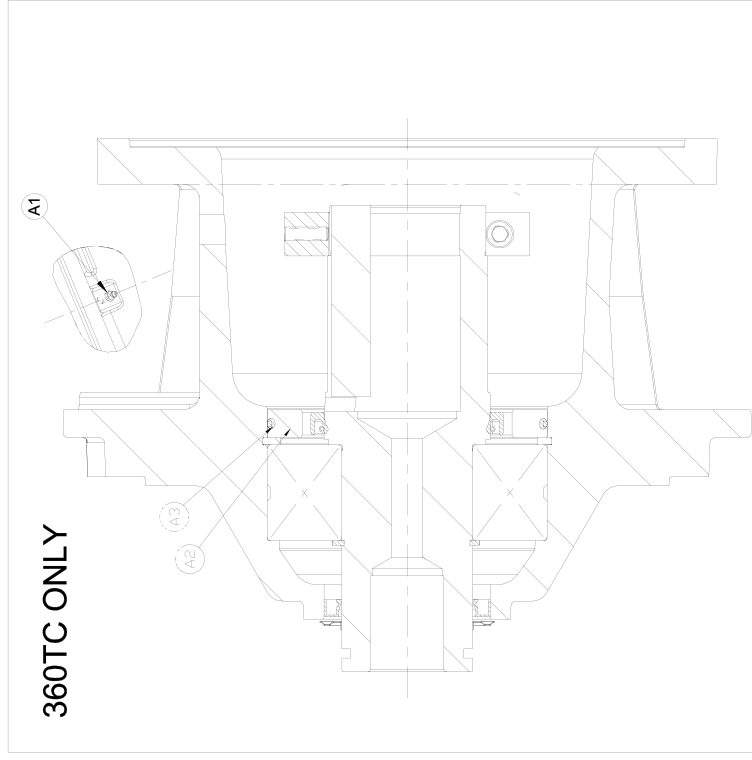
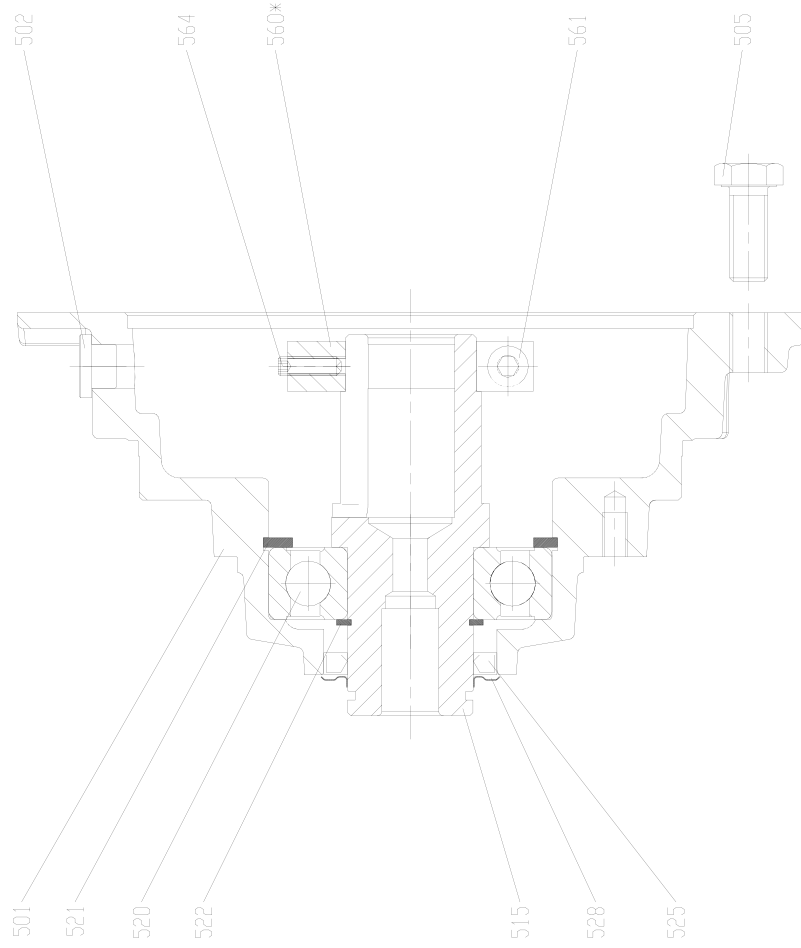
(2) Began using February 2005 on sizes 48 - 168 (except RHB48). Not interchangeable with previous 180TC motor adapter assemblies. When retrofitting or replacing previous c-assembly, size 112 Z-adapter (#201) must be supplied. Do not supply for any style 38 or RHB48. Use old style 086836 only for those sizes.

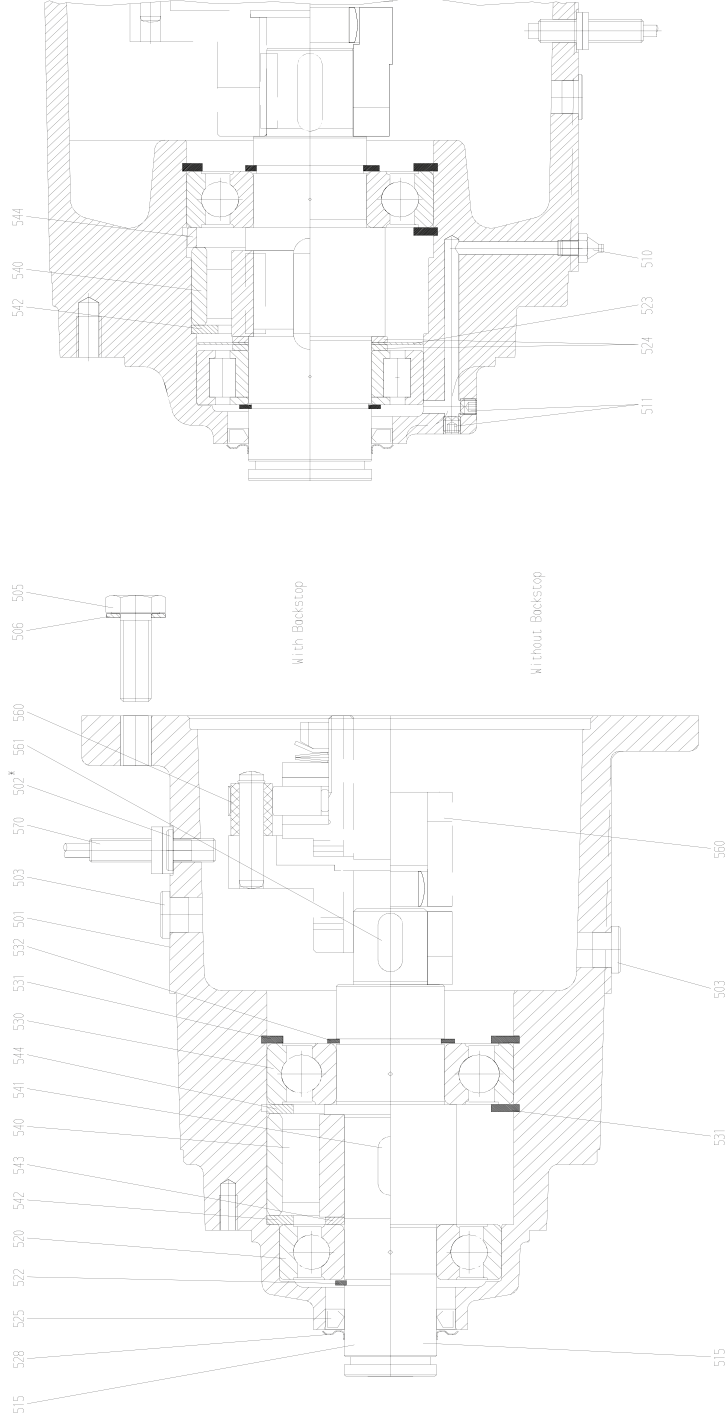
IEC Frame C-Face Adapters Clamp Collar

Position Number	Description	Qty	63	71	80	90	100	112	132	160	180	200
	Adapter Assembly		086822	086823	086824	086825	086826	086827	086828	086829	086830	086831
501	Adapter Housing	1	090057	090059	090063	090063	090065	090067	090069	090071	090073	090105
502	Plug	2	094494	094494	094495	094495	094495	094495	094495	094495	094495	094495
510	Lube Fitting	1	-----	-----	-----	-----	-----	-----	-----	-----	-----	-----
515	Input Shaft	1	090082	090083	090084	090085	090086	090087	090088	090089	090090	090091
520	Ball Bearing	1	093747	093747	094041	094041	094042	094044	094043	143610	967822	967822
521	Snap Ring, Int	1	278707	278707	278702	278702	278715	278704	051334	051337	542520	542520
522	Snap Ring, Ext	1	278710	278710	051284	051284	278716	051296	051304	051310	051317	051317
525	Shaft Seal	1	016222	016222	011536	011536	618268	061446	091825	513270	189098	189098
528	Splash Washer	1	082736	082736	082639	082639	978001	461008	429961	082640	082641	082641
560	Clamp Collar Assembly (1)	1	081679	081679	081681	081682	081683	081683	081684	158645	158645	162815

(1) Includes items 561 & 564.

Quantis C-Face Clamp Collar Adapter Assembly
Motor Frames 56C - 360TC





NEMA 56-210, IEC 80-132

NEMA 280-360, IEC 180-250

DODGE QUANTIS C-FACE ADAPTER ASSEMBLY	
3-PIECE COUPLED MOTOR FRAMES 56C-360TC	
DRAWING NUMBER	
081985	
DODGE	

C Face Adapter Assembly Parts List

NEMA 3-Piece Coupled

Standard and With Backstop

When ordering complete assembly also include input pinion from gear chart. Locate pinion based on ratio, motor frame size and reducer size.

If changing motor frame size also check #205 reducer adapter plate for compatibility.

C-Adapter assembly does not include coupling assembly. Order separately if required.

Backstop Reversal: Sizes 38 - 88 it is recommended that input assembly be replaced complete with new assembly constructed for preferred direction of rotation.

Sizes 108- 168 input assembly may be disassembled, backstop flipped and reassembled for preferred rotation. New pinion, input seal, gasket and oil deflector will be needed for reassembly.



RENEWAL PARTS DATA

C-Face Adapter Assembly Nema 56C - 360TC - 3 Piece Coupled - Standard

Position	Description	Qty	56C	140TC	180TC (1)	180TC (2)	210TC	250TC	280TC	320TC	360TC
	C-Face Adapter Assembly	1	086848	086849	086850	094450	086851	086852	086853	086854	086855
Consists of Following:											
501	Adapter Housing	1	084088	084262	084084	094084	084082	084458	081832	084782	084712
502	Plug	1	797928	797928	797928	797928	797928	797936	797928	797928	797928
503	Plug	1	094494	094494	094495	094495	094495	797928	975623	975623	975623
505	Socket Hd Cap Screw 3/8-16x1.00"	4	051492	051492	275893	275893	334900	054231	054304	050054	050054 (3)
506	Lock Washer 3/8	4	275803	275803	275853	275853	275853	050469	050469	054194	054194 (3)
510	Lube Fitting	1	-----	-----	-----	-----	-----	027364	027364	027364	027364
515	Input Shaft	1	084446	084448	084449	094605	084452	085780	084664	084665	084666
520	Bearing	1	093747	094041	094042	094042	094043	082983	681946	681946	681946
522	Snap Ring Ext	1	-----	-----	-----	-----	-----	051310	051320	051320	051320
523	Seal Plate	1	-----	-----	-----	-----	-----	086462	084756	084756	084756
524	Bearing spacer	2	-----	-----	-----	-----	-----	053745	094491	094491	094491
525	Shaft seal (to the reducer)	1	016222	011536	618268	618268	091825	513270	189098	306371	306371
528	Splash washer	1	082736	082639	978001	978001	429961	082640	082641	082642	082642
530	Bearing	1	094045	094042	094044	094044	082976	082976	967822	084663	084663
531	Retaining ring Int	2	278701	278715	278704	278704	051335	051335	542520	061400	061400
532	Retaining ring Ext	1	278712	278716	051296	051296	051308	051308	051317	051326	051326
540	Backstop	1	-----	-----	-----	-----	-----	-----	-----	-----	-----
541	Backstop key	1	-----	-----	-----	-----	-----	-----	-----	-----	-----
542	Washer	1	-----	-----	-----	-----	-----	-----	-----	-----	-----
544	Washer	1	-----	-----	-----	-----	-----	-----	-----	-----	-----
561	Key (to 560, shaft side)	1	051553	094493	094493	094493	051590	017502	084774	084773	084773
560	Coupling Assm (not included in c-adpt assm)	1	084762	084763	084764	084764	084765	084766	084767	084768	084769

(1) Original 180TC C-adapter assembly. Discontinued use Feb 2005. Current 3 pc assembly 094450 is not compatible with any style 38. Also not compatible with RHB 48. Must use clamp collar assembly or original 086850 3 pc for c-face input on these sizes.

(2) Began using February 2005 on sizes 48 - 168 (except RHB48). Not interchangeable with previous 180TC motor adapter assemblies. When retrofitting or replacing previous design c-assembly, size 112 Z-adapter (#201) must also be supplied. Do not supply for size 38 or RHB48 use clamp collar only. - use clamp collar only for these sizes.

(3) uses qty 8.



C-Face Adapter Assembly Nema 140TC - 3 Piece Coupled - With Backstop

Position	Description	Qty	56C	140TC	180TC (1)	180TC (2)	210TC	250TC	280TC	320TC	360TC
	C-Face Adapter Assembly	1	084890	084892	084893	094451	084894	084895	084896	084897	084898
Consists of Following:											
501	Adapter Housing	1	084088	084262	084084	94084	084082	084458	081832	084782	084712
502	Plug	1	797928	797928	797928	797928	797928	797936 (3)	797928	797928	797928
503	Plug	1	094494	094494 (3)	094495	094495	094495	797928	975623	975623	975623
505	Socket Hd Cap Screw 3/8-16x1.00"	4	051492	051492	275893	275893	334900	054231	054304	050054	050054 (5)
506	Lock Washer 3/8	4	275803	275803	275853	275853	275853	050469	050469	054194	054194 (5)
510	Lube Fitting	1	-----	-----	-----	-----	-----	027364	027364	027364	027364
515	Input Shaft	1	084459	084461	084462	094606	084464	085830	084668	084669	084671
520	Bearing	1	093747	094041	094042	094042	094043	082983	681946	681946	681946
522	Snap Ring Ext	1	278710	051284	278716	278716	051304	051310	051320	051320	051320
523	Seal Plate	1	-----	-----	-----	-----	-----	086462	084756	084756	084756
524	Bearing spacer	2	-----	-----	-----	-----	-----	053745	094491	094491	094491
525	Shaft seal (to the reducer)	1	016222	011536	618268	618268	091825	513270	189098	306371	306371
528	Splash washer	1	082736	082639	978001	978001	429961	082640	082641	082642	082642
530	Bearing	1	094045	094042	094044	094044	082976	082976	967822	084663	084663
531	Retaining ring Int	1	051312	278715	278704 (3)	278704	051335	051335	542520	061400	061400
532	Retaining ring Ext	1	278712	278716	051296	051296	051308	051308 (4)	051317	051326	051326
540	Backstop	1	082984	082999	083576	083576	083579	083579	084759	084759	084759
541	Backstop key	1	413259	094493	051590	051590	043000	441937	698440	698440	698440
542	Washer	1	175109	152569	654019 (3)	654019 (3)	084469	084469	681229	681229	681229
544	Washer	1	086854	152569	654019	654019	-----	-----	084829	-----	-----
	Bearing Shield (not shown)	1	-----	-----	-----	-----	-----	086462	-----	-----	-----
561	Key (to 560, shaft side)	1	051553	094493	094493	094493	051590	017502	084774	084773	084773
560	Coupling Assembly (not included in c-adpt as	1	084762	084763	084764	084764	084765	084766	084767	084768	084769

(1) Original 180TC C-adapter assembly. Discontinued use Feb 2005. Current 3 pc assembly 094451 is not compatible with any style 38. Also not compatible with RHB 48. Must use original assembly 084893 for backstop applications on these sizes.

(2) Began using February 2005 on sizes 48 - 168 (except RHB48). Not interchangeable with previous design 180TC motor adapter assemblies. When retrofitting or replacing previous design c-assembly, size 112 Z-adapter (#201) must also be supplied. Do not supply for size 38 or RHB48. Use original assembly 084893 only on these sizes.

- (3) Uses qty 2.
- (4) Uses qty 3.
- (5) Uses qty 8.



RENEWAL PARTS DATA

C-Face Adapter Assembly IEC 80 - 250 - 3 Piece Coupled - Standard

Position	Description	Qty	80	90	100	112	132	160	180	200	225	250
	C-Face Adapter Assembly	1	086838	086839	086840	086841	086842	086843	086844	086845	086846	086847
Consists of Following:												
501	Adapter Housing	1	084420	084420	084266	084424	084428	084430	084650	084652	084656	084658
502	Plug	1	797928	797928	797928	797928	053344	797936	797936	797936	694657	694657
503	Plug	2	140510	140510	094495	094495	94495 (1)	694657 (1)	975623 (1)	975623 (1)	975623 (1)	975623 (1)
505	Socket Hd Cap Screw	4	*****	*****	*****	*****	*****	*****	*****	*****	*****	*****
506	Lock Washer	4	*****	*****	*****	*****	*****	*****	*****	*****	*****	*****
510	Lube Fitting	1	*****	*****	*****	*****	*****	027364	027364	027364	027364	027364
511	Dowel Pin	2	*****	*****	*****	*****	*****	053933	053933	053933	053933	053933
515	Input Shaft	1	084447	084448	084449	084451	084452	085780	084664	084664	084665	084671
520	Bearing	1	082590	082590	07914703DA	07914703V	653063	082983	681946	681946	681946	681946
522	Snap Ring Ext	1	*****	*****	*****	*****	*****	051310	051320	051320	051320	051320
523	Seal Plate	1	*****	*****	*****	*****	*****	086462	084756	084756	084756	084756
524	Bearing spacer	2	*****	*****	*****	*****	*****	053745	094491	094491	094491	094491
525	Shaft seal (to the reducer)	1	011536	011536	618268	061446	091825	513270	189098	189098	306371	306371
528	Splash washer	1	082639	082639	978001	461008	429961	082640	082641	082641	082642	082642
530	Bearing	1	07914703DA	07914703DA	07914703V	07914703CK	082976	082976	967822	967822	084663	084663
531	Retaining ring Int	2	278715	278715	278704 (1)	278717 (1)	051335 (1)	051335 (1)	542520	542520 (1)	061400	061400
532	Retaining ring Ext	1	278716	278716	051296	278718	051308	084445	051317	051317	051326	051326
540	Backstop	1	*****	*****	*****	*****	*****	*****	*****	*****	*****	*****
541	Backstop key	1	*****	*****	*****	*****	*****	*****	*****	*****	*****	*****
542	Washer	1	*****	*****	*****	*****	*****	*****	*****	*****	*****	*****
544	Washer	1	*****	*****	*****	*****	*****	*****	*****	*****	*****	*****
561	Key (to 560, shaft side)	1	051561	094493	094493	094493	051590	017502	084774	084774	084773	084773
560	Coupling Assm (not included in c-adpt assm)	1	084672	084673	084674	084674	084675	084676	081820	084713	084714	084715

(1) Uses qty 1.



RENEWAL PARTS DATA

C-Face Adapter Assembly IEC 80 - 250 3 - Piece Coupled - With Backstop

Position	Description	Qty	80	90	100	112	132	160	180	200	225	250
	C-Face Adapter Assembly	1	081969	081970	081971	081972	081974	085908	084742	084774	084745	083746
Consists of Following:												
501	Adapter Housing	1	084420	084420	084266	084424	084428	084430	084650	084652	084656	084658
502	Plug	1	797928	797928	797928	797928	053344	797936	797936	797936	694657	694657
503	Plug	2	140510	140510	094495	094495	94495 (1)	694657 (1)	975623 (1)	975623 (1)	975623 (1)	975623 (1)
505	Socket Hd Cap Screw 3/8-16x1.00"	4	051492	051492	275893	275893	334900	054231	054304	050054	050054 (5)	
506	Lock Washer 3/8	4	275803	275803	275853	275853	275853	050469	050469	054194	054194 (5)	
510	Lube Fitting	1	-----	-----	-----	-----	-----	027364	027364	027364	027364	027364
511	Dowel Pin	2	-----	-----	-----	-----	-----	053933	053933	053933	053933	053933
515	Input Shaft	1	084460	084461	084462	084463	084464	085830	084664	084668	084669	084671
520	Bearing	1	082590	082590	07914703DA	07914703V	633063	082983	681946	681946	681946	681946
522	Snap Ring Ext	1	051284	051284	278716	051296	051304	051310	051320	051320	051320	051320
523	Seal Plate	1	-----	-----	-----	-----	-----	086462	084756	084756	084756	084756
524	Bearing spacer	2	-----	-----	-----	-----	-----	053745	094491	094491	094491	094491
525	Shaft seal (to the reducer)	1	011536	011536	618268	061446	091825	513270	189098	189098	306371	306371
528	Splash washer	1	082639	082639	978001	461008	429961	082640	082641	082641	082642	082642
530	Bearing	1	07914703DA	07914703DA	07914703V	07914703CK	082976	082976	967822	967822	084663	084663
531	Retaining ring Int	2	278715	278715	278704 (1)	278717 (1)	051335 (1)	051335 (1)	542520	542520 (1)	61400 (1)	61400 (1)
532	Retaining ring Ext	1	278716	278716	051296	278718	051308	084445	051317	051317	051326	051326
540	Backstop	1	082999	082999	083576	083578	083579	083579	084759	084759	084759	084759
541	Backstop key	1	051573	051573	051590	690880	043000	441937	698440	698440	698440	698440
542	Washer	1	152569	152569	654019 (2)	094491 (3)	084469	084469	681229			
543	Washer	1	-----	-----	-----	053483	-----	-----	681229	681229	681229	681229
544	Washer	1	086854	094493	654019	654019	-----	084469	084829	084829	-----	-----
	Bearing Shield (not shown)	1	-----	-----	-----	-----	-----	086462	-----	-----	-----	-----
561	Key (to 560, shaft side)	1	051561	094493	094493	094493	051590	017502	084774	084774	084773	084773
560	Coupling Assembly (not included in c-adpt as)	1	084672	084673	084674	084674	084675	084676	081820	084713	084714	084715

- (1) Uses qty 1.
- (2) Uses qty 2.
- (3) Uses qty 3

Quantis Coupling Assemblies

Three Piece Jaw Type

Motor Frame	Coupling Assembly	Consists of:				
		Motor Hub	Hub Bore	Spider	Reducer Hub	Hub Bore
NEMA 56C	084762	093756	5/8"	093764	093772	14mm
NEMA 140TC	084763	093757	7/8"	093764	093749	24mm
NEMA 180TC	084764	093758	1-1/8"	093765	093750	28mm
NEMA 210TC	084765	093759	1-3/8"	093766	093751	38mm
NEMA 250TC	084766	093760	1-5/8"	093767	093752	42mm
NEMA 280TC	084767	093761	1-7/8"	093768	093753	55mm
NEMA 320TC	084768	093762	2-1/8"	093769	093754	60mm
NEMA 360TC	084769	093763	2-3/8"	093770	093755	65mm
IEC 80	084672	093748	19mm	093764	093748	19mm
IEC 90	084673	093749	24mm	093764	093749	24mm
IEC100	084674	093750	28mm	093765	093750	28mm
IEC 112	084674	093750	28mm	093765	093750	28mm
IEC 132	084675	093751	38mm	093766	093751	38mm
IEC 160	084676	093752	42mm	093767	093752	42mm
IEC 180	081820	093753	55mm	093768	093771	48mm
IEC 200	084713	093753	55mm	093768	093753	55mm
IEC 225	084714	093754	60mm	093769	093754	60mm
IEC 250	084715	093755	65mm	093770	093755	65mm

Quantis Twin Tapered Bushing Kits (TTB)

For items other than bushing kit components refer to standard MSM or RHB parts data sheets.

MSM/RHB 38 Standard Twin Tapered Bushing Kits

Part Description	Qty	Bore Size									
		1"	1.125"	1.187"	1.250"	1.312"	1.375"	25mm	30mm	32mm	35mm
Bushing Kit		093110	093109	093108	093107	093106	093105	093114	093113	093112	093111
Short Bushing	2	092719	092720	092721	092722	092723	092724	092715	092716	092717	092718
Bushing Backup Plate	2	092728					092729				
Offset Key	1	092916	092915	092914	092913	093912	092911	092922	092919	092918	092917
Retaining Ring	4	093120									
Screw	6	411390					304519				
Lock Washer	6	419010					304602				

MSM/RHB 38 Short Shaft Twin Tapered Bushing Kits

Part Description	Qty	Bore Size				
		1"	1.125"	1.187"	25mm	30mm
Bushing Kit		093117	093116	093115	093119	093118
Short Bushing	1	092719	092720	092721	092715	092716
Bushing Wedge	1	092725				
Bushing Backup Plate	2	092728		092729		
Long Bushing	1	092908	092907	092906	092910	092909
Offset Key	1	092916	092915	092914	092922	092919
Retaining Ring	4	093120				
Screw	6	411390			304519	
Lock Washer	6	419010			304602	

MSM/RHB 48 Standard Twin Tapered Bushing Kits

Part Description	Qty	Bore Size													
		1"	1.062"	1.125"	1.187"	1.250"	1.312"	1.375"	1.437"	1.50"	30mm	32mm	35mm	38mm	40mm
Bushing Kit		092601	092600	092599	092598	092597	092596	092595	092594	092593	092606	092605	092604	092603	092602
Short Bushing	2	901327	901326	901325	901324	901323	901322	901321	901320	901319	901349	901348	901347	901346	901345
Bushing Backup Plate	2	092386										092387			
Key	1 or 0	092389					---								
Key	1 or 0	092390					---								
Offset Key	1 or 0	---			092480	092395	092394	092393	092392	092391	092400	092399	092398	092397	092396
Retaining Ring	4	092618													
Screw	6	411390										304519			
Lock Washer	6	419010										304602			

MSM/RHB 48 Short Shaft Twin Tapered Bushing Kits

Part Description	Qty	Bore Size										
		1"	1.125"	1.187"	1.250"	1.312"	1.375"	1.437"	30mm	32mm	35mm	
Bushing Kit		092614	092612	092611	092610	092609	092608	092607	092617	092616	092615	
Short Bushing	1	901327	901325	901324	901323	901322	901321	901320	901349	901348	901347	
Bushing Wedge	1	901303										
Bushing Backup Plate	2	092386					092387					
Long Bushing	1	901339	901337	901336	901335	901334	901333	901332	901356	901355	901354	
Key	1 or 0	092389					---					
Key	1 or 0	092390					---					
Offset Key	1 or 0	---			092480	092395	092394	092393	092392	092400	092399	092398
Retaining Ring	4	092618										
Screw	6	411390										304519
Lock Washer	6	419010										304602



RENEWAL PARTS DATA

Twin Taper Bushing Kits - Quantis MSM/RHB

MSM/RHB 68 Standard Twin Tapered Bushing Kits

Part Description	Qty	Bore Size																		
		1.125"	1.187"	1.250"	1.312"	1.375"	1.437"	1.500"	1.562"	1.625"	1.687"	1.750"	1.812"	1.875"	1.937"	2.000"				
Bushing Kit		093131	093130	093129	093128	093127	093126	093125	093124	093123	093122	093121	093145	093144	093143	093142	093141	093140	093139	093138
Short Bushing	2	092927	092928	092929	092930	092931	092932	092933	092934	092935	092936	092937	092938	092939	092940	092941	092942	092943	092944	092945
Bushing Backup Plate	2	092923																		
Key	1 or 0	092964																		
Key	1 or 0	092965																		
Offset Key	1 or 0	---	092968	092969	092970	092971	092972	092973	092974	092975	092976	092977	092978	092979	092980	092981	092982	092983	092984	092985
Retaining Ring	4	093151																		
Screw	6	902306																		
Lock Washer	6	275803																		

MSM/RHB 68 Short Shaft Twin Tapered Bushing Kits

Part Description	Qty	Bore Size																		
		1.125"	1.187"	1.250"	1.312"	1.375"	1.437"	1.500"	1.562"	1.625"	1.687"	1.750"	1.812"	1.875"	1.937"	2.000"				
Bushing Kit		093138	093137	093136	093135	093134	093133	093132	093131	093130	093129	093128	093147	093146	093145	093144	093143	093142	093141	093140
Short Bushing	1	092927	092928	092929	092930	092931	092932	092933	092934	092935	092936	092937	092938	092939	092940	092941	092942	092943	092944	092945
Bushing Wedge	1	092925																		
Bushing Backup Plate	2	092923																		
Long Bushing	1	092952	092953	092954	092957	092959	092960	092961	092962	092963	092964	092965	092966	092967	092968	092969	092970	092971	092972	092973
Key	1 or 0	092964																		
Key	1 or 0	092965	---	---	---	---	---	---	---	---	---	---	---	---	---	---	---	---	---	---
Offset Key	1 or 0	---	---	---	---	---	---	---	---	---	---	---	---	---	---	---	---	---	---	---
Retaining Ring	4	093151																		
Screw	6	902306																		
Lock Washer	6	275803																		

MSM/RHB 88 Standard Twin Tapered Bushing Kits

Part Description	Qty	Bore Size																		
		1.437"	1.500"	1.562"	1.625"	1.687"	1.750"	1.812"	1.875"	1.937"	2.000"	2.062"	2.125"	2.187"	2.250"	2.312"	2.375"	2.437"	2.500"	
Bushing Kit		092630	092629	092628	092627	092626	092625	092624	092623	092622	092621	092620	092619	092618	092617	092616	092615	092614	092613	092612
Short Bushing	2	903330	903329	903328	903327	903326	903325	903324	903323	903322	903321	903320	903319	903318	903317	903316	903315	903314	903313	903312
Bushing Backup Plate	2	092402																		
Key	1 or 0	092404																		
Key	1 or 0	092405																		
Offset Key	1 or 0	---	---	---	---	---	---	---	---	---	---	---	---	---	---	---	---	---	---	---
Retaining Ring	4	903304																		
Screw	6	411408																		
Lock Washer	6	275803																		

MSM/RHB 88 Short Shaft Twin Tapered Bushing Kits

Part Description	Qty	Bore Size																		
		1.437"	1.500"	1.562"	1.625"	1.687"	1.750"	1.812"	1.875"	1.937"	2.000"	2.062"	2.125"	2.187"	2.250"	2.312"	2.375"	2.437"	2.500"	
Bushing Kit		092640	092639	092638	092637	092636	092635	092634	092633	092632	092631	092630	092629	092628	092627	092626	092625	092624	092623	092622
Short Bushing	1	903330	903329	903328	903327	903326	903325	903324	903323	903322	903321	903320	903319	903318	903317	903316	903315	903314	903313	903312
Bushing Wedge	1	903303																		
Bushing Backup Plate	2	092402																		
Long Bushing	1	903341	903340	903339	903338	903337	903336	903335	903334	903333	903332	903331	903330	903329	903328	903327	903326	903325	903324	903323
Key	1 or 0	092404																		
Key	1 or 0	092405																		
Offset Key	1 or 0	---	---	---	---	---	---	---	---	---	---	---	---	---	---	---	---	---	---	---
Retaining Ring	4	421108																		
Screw	6	411408																		
Lock Washer	6	275803																		



RENEWAL PARTS DATA

Twin Taper Bushing Kits - Quantis MSM/RHB

MSM/RHB 108 Standard Twin Tapered Bushing Kits

Part Description	Qty	Bore Size																		
		1-1/16"	1-3/4"	1-7/8"	2"	2-1/8"	2-3/16"	2-1/4"	2-3/8"	2-7/16"	2-1/2"	2-11/16"	42mm	45mm	50mm	55mm	60mm	65mm	70mm	
Bushing Kit		092882	092881	092880	092879	092878	092877	092876	092875	092874	092873	092872	092871	092899	092898	092897	092896	092895	092894	092893
Short Bushing	2	904330	904329	904328	904327	904326	904325	904324	904323	904322	904321	904320	904319	904351	904350	904349	904348	904347	904346	904345
Bushing Backup Plate	2	093915																		
Key	1 or 0	092673																		
Offset Key	1 or 0	092674																		
Retaining Ring	2	---																		
Screw	6	411408																		
Lockwasher	6	419011																		

MSM/RHB 108 Short Shaft Twin Tapered Bushing Kits

Part Description	Qty	Bore Size													
		1-3/4"	1-7/8"	2"	2-1/8"	2-1/4"	2-3/8"	42mm	45mm	50mm	55mm	60mm	65mm		
Bushing Kit		092891	092890	092888	092887	092885	092884	092905	092904	092903	092902	092901	092900		
Short Bushing	1	904329	904328	904326	904325	904323	904322	904351	904350	904349	904348	904347	904346		
Bushing Wedge	1	093915													
Bushing Backup Plate	2	093916													
Long Bushing	1	904340	904339	904337	904336	904334	904333	904359	904358	904357	904356	904355	904354		
Key	1 or 0	092673													
Offset Key	1 or 0	092674													
Retaining Ring	2	---													
Screw	6	411408													
Lock Washer	6	419011													

MSM/RHB 128 Standard Twin Tapered Bushing Kits

Part Description	Qty	Bore Size																			
		1-15/16"	2"	2-1/8"	2-1/4"	2-3/8"	2-7/16"	2-1/2"	2-11/16"	2-7/8"	2-15/16"	3"	3-3/16"	50mm	55mm	60mm	65mm	70mm	75mm	80mm	
Bushing Kit		092846	092845	092844	092843	092842	092841	092840	092839	092838	092837	092836	092835	092834	092864	092863	092862	092861	092860	092859	092858
Short Bushing	2	905331	905330	905329	905328	905327	905326	905325	905324	905323	905322	905321	905320	905319	905351	905350	905349	905348	905347	905346	905345
Bushing Backup Plate	2	905301																			
Key	1 or 0	092656																			
Offset Key	1 or 0	092657																			
Retaining Ring	2	---																			
Screw	6	411456																			
Lock Washer	6	419013																			

MSM/RHB 128 Short Shaft Twin Tapered Bushing Kits

Part Description	Qty	Bore Size													
		2"	2-1/8"	2-1/4"	2-3/8"	2-7/8"	50mm	55mm	60mm	65mm	70mm	75mm			
Bushing Kit		092856	092855	092853	092852	092848	092851	092850	092849	092848	092869	092868	092867	092866	092865
Short Bushing	1	905330	905329	905327	905326	905322	905321	905350	905349	905348	905347	905346	905345	905344	905343
Bushing Wedge	1	905303													
Bushing Backup Plate	2	905301													
Long Bushing	1	905341	905340	905338	905337	905333	905359	905358	905357	905356	905355	905354	905353	905352	905351
Key	1 or 0	092656													
Offset Key	1 or 0	092657													
Retaining Ring	2	---													
Screw	6	421055													
Lock Washer	6	411456													



Twin Taper Bushing Kits - Quantis MSM/RHB

MSM/RHB 148 Standard Twin Tapered Bushing Kits

Part Description	Qty	Bore Size															
		2-3/16"	2-1/4"	2-3/8"	2-7/16"	2-1/2"	2-11/16"	2-7/8"	2-15/16"	3"	3-3/16"	3-7/16"	4-1/8"	4-3/8"	4-7/8"	5-1/2"	
		093043	093042	093041	093040	093039	093038	093037	093036	093035	093034	093033	093032	093031	093030	093029	093028
Short Bushing	2	906329	906328	906327	906326	906325	906324	906323	906322	906321	906320	906319	906318	906317	906316	906315	906314
Bushing Backup Plate	2	906301															
Key	1 or 0	092689															
Offset Key	1 or 0	092691		092690		092689		092697		092696		092695		092694		092693	
Retaining Ring	2	906304															
Screw	6	411456															
Lockwasher	6	419013															

MSM/RHB 148 Short Shaft Twin Tapered Bushing Kits

Part Description	Qty	Bore Size					
		60mm	65mm	70mm	75mm	80mm	85mm
		093067	093066	093065	093064	093063	093062
Short Bushing	1	906351	906350	906349	906348	906347	906346
Bushing Wedge	1	906303					
Bushing Backup Plate	2	906302					
Long Bushing	1	906359	906358	906357	906356	906355	906354
Key	1 or 0	092689					
Offset Key	1 or 0	092693		092702		092701	
Retaining Ring	2	906304					
Screw	6	304541					
Lock Washer	6	304604					

MSM/RHB 168 Standard Twin Tapered Bushing Kits

Part Description	Qty	Bore Size											
		2-7/16"	2-1/2"	2-11/16"	2-7/8"	2-15/16"	3"	3-3/16"	3-7/16"	4-1/8"	4-3/8"	4-7/8"	5-1/2"
		093078	093077	093076	093075	093074	093073	093072	093071	093070	093069	093068	093067
Short Bushing	2	907325	907324	907323	907322	907321	907320	907319	907318	907317	907316	907315	907314
Bushing Backup Plate	2	272037											
Key	1 or 0	092703											
Offset Key	1 or 0	092705		092704		092703		092702		092701		092700	
Retaining Ring	2	421098											
Screw	6	411457											
Lock Washer	6	419013											

MSM/RHB 168 Short Shaft Twin Tapered Bushing Kits

Part Description	Qty	Bore Size					
		65mm	70mm	75mm	80mm	85mm	100mm
		093104	093101	093102	093101	093100	093097
Short Bushing	1	907353	907352	907351	907350	907349	907348
Bushing Wedge	1	907303					
Bushing Backup Plate	2	907302					
Long Bushing	1	907361	907360	907359	907358	907357	907356
Key	1 or 0	092703					
Offset Key	1 or 0	092708		092707		092706	
Retaining Ring	2	421098					
Screw	6	304542					
Lock Washer	6	304604					

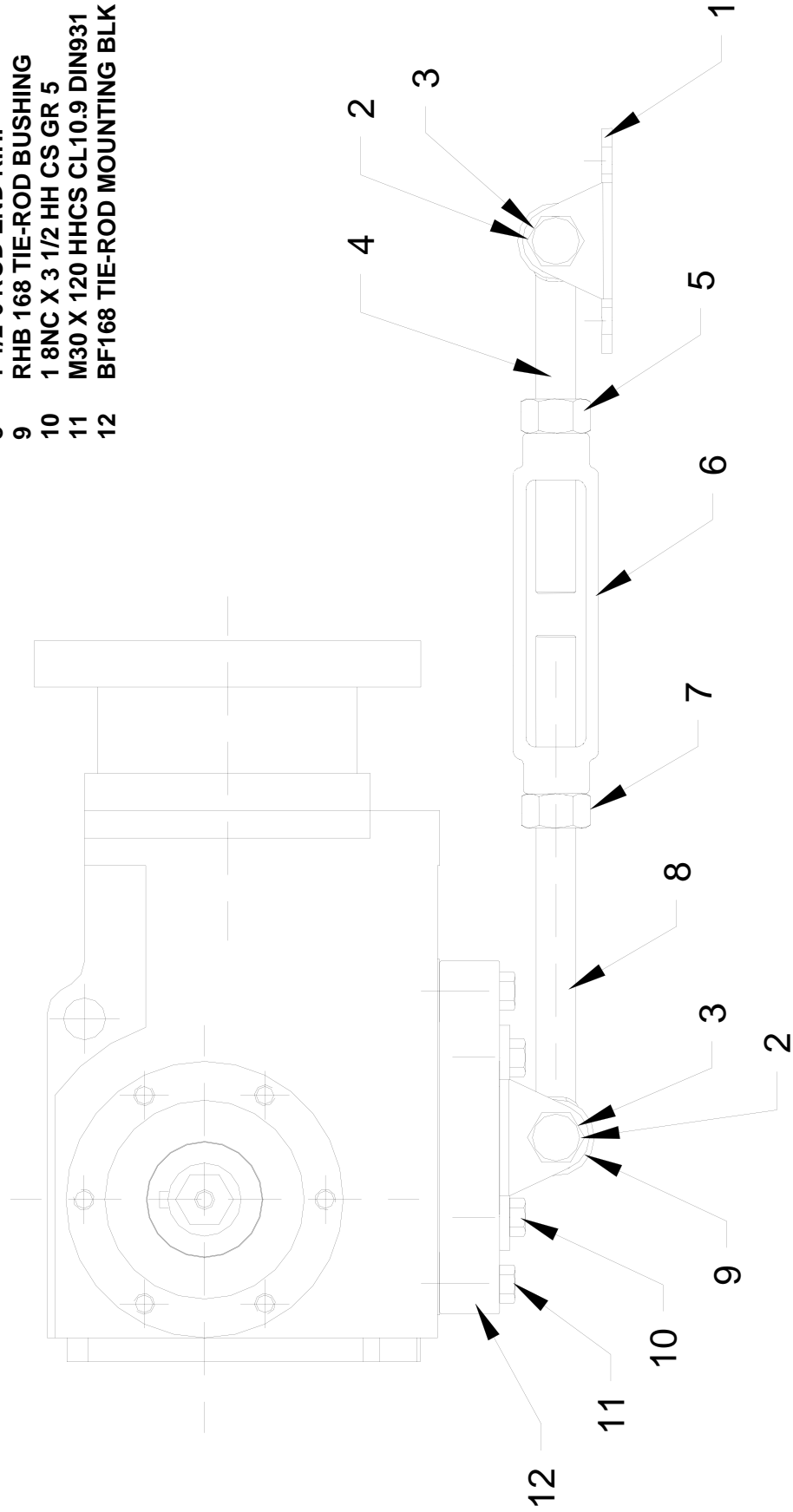
TIE ROD KITS FOR RHB

KIT PART NUMBERS:

SIZE	PART NO.	SIZE	PART NO.
38	094371	108	094373
48	094201	128	094374
68	094202	148	094375
88	094372	168	094376

PARTS 1 THRU 12

- 1 FULCRUM - RHB 168
- 2 1-1/4-7 X 6 HX HD CS GR5
- 3 1 1/4 7NC REG HEX NUT
- 4 1-1/2-6 ROD END L.H.
- 5 1-1/2-6 REG LH HX NUT GR 2
- 6 TURNBUCKLE
- 7 1 1/2 6NC REG HEX NUT
- 8 1-1/2-6 ROD END R.H.
- 9 RHB 168 TIE-ROD BUSHING
- 10 1 8NC X 3 1/2 HH CS GR 5
- 11 M30 X 120 HHCS CL10.9 DIN931
- 12 BF168 TIE-ROD MOUNTING BLK



TIE ROD KIT COMPONENTS RHB

RHB 38 TIE ROD KIT P/N 093471 COMPONENTS:			
Item	Part Number	Description	Quantity
1	243249	FULCRUM - RHB 38-68	2
2	411484	5/8-11NC x 2 HX HD CS GR5	2
3	275854	5/8-11NC REG HEX NUT GR2	2
4	243247 *	3/4"-10 ROD END L.H.	1
5	407244 *	3/4-10 REG LH HX NUT GR 2	1
6	243246 *	TURNBUCKLE	1
7	407095 *	3/4-10 REG RH HX NUT GR 2	1
8	243245 *	3/4"-10 ROD END R.H.	1
9	094171	RHB38-68 TIE-ROD BUSHING	1
10	050683	7/16-14 X 1 G5 HHCS	2
11	309338	M10X35 SHCS CL12.9 DIN912	2
12	094177	BF38 TIE-ROD MOUNTING BLK	1

* Items included in rod end assembly kit p/n 242244

RHB 48 TIE ROD KIT P/N 094201 COMPONENTS:			
Item	Part Number	Description	Quantity
1	243249	FULCRUM - RHB 38-68	2
2	411484	5/8-11NC x 2 HX HD CS GR5	2
3	275854	5/8-11NC REG HEX NUT GR2	2
4	243247 *	3/4"-10 ROD END L.H.	1
5	407244 *	3/4-10 REG LH HX NUT GR 2	1
6	243246 *	TURNBUCKLE	1
7	407095 *	3/4-10 REG RH HX NUT GR 2	1
8	243245 *	3/4"-10 ROD END R.H.	1
9	094171	RHB38-68 TIE-ROD BUSHING	1
10	050683	7/16-14 X 1 G5 HHCS	2
11	411349	M10X45 HHCS CL10.9 DIN933	2
12	094178	BF48 TIE-ROD MOUNTING BLK	1

* Items included in rod end assembly kit p/n 242244

RHB 68 TIE ROD KIT P/N 094202 COMPONENTS:			
Item	Part Number	Description	Quantity
1	243249	FULCRUM - RHB 38-68	2
2	411484	5/8-11NC x 2 HX HD CS GR5	2
3	275854	5/8-11NC REG HEX NUT GR2	2
4	243247 *	3/4"-10 ROD END L.H.	1
5	407244 *	3/4-10 REG LH HX NUT GR 2	1
6	243246 *	TURNBUCKLE	1
7	407095 *	3/4-10 REG RH HX NUT GR 2	1
8	243245 *	3/4"-10 ROD END R.H.	1
9	094171	RHB38-68 TIE-ROD BUSHING	1
10	050683	7/16-14 X 1 G5 HHCS	2
11	094131	M12 x 45 HHCS CL10.9 DIN933	2
12	094179	BF68 TIE-ROD MOUNTING BLK	1

* Items included in rod end assembly kit p/n 242244 242244

RHB 88 TIE ROD KIT P/N 094372 COMPONENTS:			
Item	Part Number	Description	Quantity
1	246249	FULCRUM - RHB 88	2
2	417362	5/8-11 X 2-1/2 HHCS GRD 5	2
3	275854	5/8-11NC REG HEX NUT GR2	2
4	245247 *	7/8"-9 ROD END L.H.	1
5	407246 *	7/8-9 REG LH HX NUT GR 2	1
6	245246 *	TURNBUCKLE	1
7	407097 *	7/8-9 REG RH HX NUT GR 2	1
8	245245 *	7/8"-9 ROD END R.H.	1
9	094172	RHB 88 TIE-ROD BUSHING	1
10	334896	1/2-13x1.25 HHCS GRD 5	2
11	094370	M16 X 55 HHCS CL10.9 DIN931	2
12	094180	BF88 TIE-ROD MOUNTING BLK	1

* Items included in rod end assembly kit p/n 244245

TIE ROD KIT COMPONENTS RHB

RHB 108 TIE ROD KIT P/N 094373 COMPONENTS:			
Item	Part Number	Description	Quantity
1	247248	FULCRUM - RHB 108	2
2	334391	5/8-11 X 4-1/2 HHCS GRD 5	2
3	407093	HEX NUT5/8-11R.H.[50049]	2
4	247240 *	1-8 ROD END L.H.	1
5	407248 *	1-8NC REG LH HX NUT GR 2	1
6	247246 *	TURNBUCKLE	1
7	407099 *	1 8NC REG HEX NUT	1
8	247239 *	1-8 ROD END R.H.	1
9	094173	RHB 108 TIE-ROD BUSHING	1
10	334392	5/8-11 x 1-1/2 HHCS GR5	2
11	094444	M16 X 55 HHCS CL10.9 DIN931	2
12	094181	BF108 TIE-ROD MOUNTING BLK	1

* Items included in rod end assembly kit p/n 247238

RHB 128 TIE ROD KIT P/N 094374 COMPONENTS:			
Item	Part Number	Description	Quantity
1	271054	FULCRUM - RHB 128-148	2
2	411516	1-8NC x 5 HHCS GRD 5	2
3	407099	1 8NC REG HEX NUT	2
4	271052 *	1-1/4-7 ROD END L.H.	1
5	407250 *	1-1/4-7 REG LH HX NUT GR 2	1
6	271051 *	TURNBUCKLE	1
7	407104 *	1 1/4 7NC REG HEX NUT	1
8	271050 *	1-1/4-7 ROD END R.H.	1
9	271046	RHB 128-148 TIE-ROD BUSHING	1
10	411495	3/4-10X2-1/2 HH CS GR5	2
11	094445	M20 X 65 HHCS CL10.9 DIN931	2
12	094182	BF128 TIE-ROD MOUNTING BLK	1

* Items included in rod end assembly kit p/n 248240

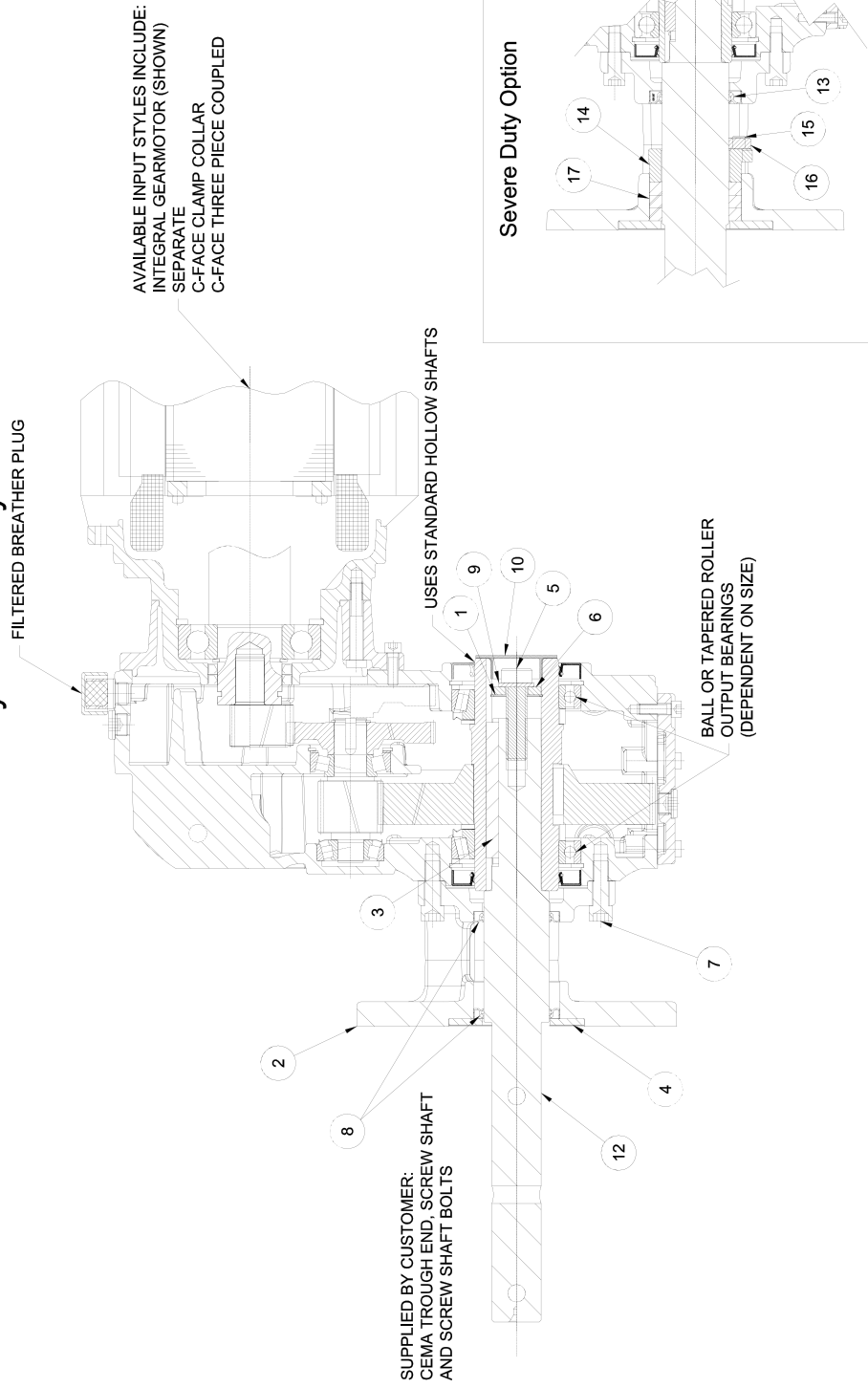
RHB 148 TIE ROD KIT P/N 094375 COMPONENTS:			
Item	Part Number	Description	Quantity
1	271054	FULCRUM - RHB 128-148	2
2	411516	1-8 X 5 HHCS GRD 5	2
3	407099	1 8NC REG HEX NUT	2
4	271052 *	1-1/4-7 ROD END L.H.	1
5	407250 *	1-1/4-7 REG LH HX NUT GR 2	1
6	271051 *	TURNBUCKLE	1
7	407104 *	1 1/4 7NC REG HEX NUT	1
8	271050 *	1-1/4-7 ROD END R.H.	1
9	271046	RHB 128-148 TIE-ROD BUSHING	1
10	411495	3/4-10X2 1/2 HH CS GR5	2
11	094446	M24 X 75 HHCS CL10.9 DIN931	2
12	094183	BF148 TIE-ROD MOUNTING BLK	1

* Items included in rod end assembly kit p/n 248240

RHB 168 TIE ROD KIT P/N 094376 COMPONENTS:			
Item	Part Number	Description	Quantity
1	272054	FULCRUM - RHB 168	2
2	411524	1-1/4-7 X 6 HX HD CS GR5	2
3	407104	1 1/4 7NC REG HEX NUT	2
4	272052 *	1-1/2-6 ROD END L.H.	1
5	407251 *	1-1/2-6 REG LH HX NUT GR 2	1
6	272051 *	TURNBUCKLE	1
7	407108 *	1 1/2 6NC REG HEX NUT	1
8	272050 *	1-1/2-6 ROD END R.H.	1
9	272046	RHB 168 TIE-ROD BUSHING	1
10	411512	1 8NC X 3 1/2 HH CS GR 5	2
11	094447	M30 X 120 HHCS CL10.9 DIN931	2
12	094184	BF168 TIE-ROD MOUNTING BLK	1

*Rod assembly kit not offered. Order parts individually.

MSM/RHB Screw Conveyor Assembly



SCREW CONVEYOR ADAPTER ASSEMBLIES MSM/RHB38 - 128

Ref No.	Description	qty_per	38	48	68	88	108	128
	MSM/RHB SCREW CONVEYOR ASSEMBLY	1	091698	091700	091702	091704	091706	091708
CONSISTS OF FOLLOWING:								
1	RETAINING RING	1	051287	051292	755516	051305	051311	728578
2	SCREW CONVEYOR ADAPTER	1	091551	091553	091555	091557	091559	091561
3	KEY	1	091682	091683	091684	091685	091686	091687
4	FLAT WASHER	1	091690	091691	091692	091693	091694	091695
5	SOC HD CAP SCREW	1	108328	108328	117333	093854	411173	411173
6	WASHER	1	116693	123425	116694	123426	122065	123415
7	SOCKET HEAD CAP SCREW	6	093853	050843	174820	174820	141193	141193
8	DRIVE SHAFT SEAL	2	091567	091569	091571	354115	091573	245545
9	LOCK WASHER	1	051213	051213	051217	681407	415473	415473
10	PLUG	1	086379	851329	851337	851353	086383	851370
11	DOWEL PIN (not shown) (108 - 128 only)	2	-----	-----	-----	-----	091581	091581
12	DRIVE SHAFT STD 1.5"	1 or 0	091583	091585	091589	-----	-----	-----
12	DRIVE SHAFT STD 2"	1 or 0	-----	091587	091591	091597	091603	091609
12	DRIVE SHAFT STD 2.4375"	1 or 0	-----	-----	091593	091599	091605	091611
12	DRIVE SHAFT STD 3"	1 or 0	-----	-----	-----	091601	091607	091613
12	DRIVE SHAFT STD 3.4375"	1 or 0	-----	-----	-----	-----	-----	091615

SCREW CONVEYOR HARSH DUTY OPTION MSM/RHB38 - 128

Ref No.	Description	qty_per	38	48	68	88	108	128
	SCREW CONVEYOR ASSM HARSH DUTY	1	091699	091701	091703	091705	091707	091709
CONSISTS OF FOLLOWING:								
13	SCREW CONVEYOR SEAL	1	091567	091569	091571	354115	091573	245545
14	PACKING RETAINER	1	091714	091715	091716	091717	091574	091576
15	SET SCREW	2	400404	400404	400404	400404	400404	400404
16	HEX JAM NUT	2	407202	407202	407202	407202	407202	407202
17	BRAIDED SEAL	3	427663	427663	427663	427664	427664	427687

Quantis Lubricant

Among the factors that contribute to the performance and overall service life of a reducer, selection and use of the proper lubrication is very important. Dodge Quantis reducers are factory filled with ISO 220 EP type mineral oils for the specified mounting position. Changes in the mounting position will require relocation of the oil level and vent plugs.

Different types of oil should not be mixed. If a change to another type or brand of lubricant is made, the existing lubricant should be drained and the gearcase flushed with a small quantity of the new lubricant before refilling with the new lubricant. This is necessary to avoid possible incompatibility problems between the two lubricants.

Under normal operating conditions, the initial factory fill is good for up to 10,000 hours or three years service, whichever comes first. If a synthetic lubricant is used, this period can be extended to 20,000 operating hours or six years. Harsh environments will require more frequent oil changes. Refer to the product installation and instruction manuals for detailed instructions.

ISO Grade	Lubricant Type	Volume	Ordering Part Number
150	Synthetic	Quart	41170966AP
		Gallon	41170966AR
220	Mineral w/ EP Additives	Quart	41170966AK
		Gallon	41170966AL
	Synthetic	Quart	41170966AU
		Gallon	41170966AV
320	Synthetic	Quart	41170966AY
		Gallon	41170966AZ
460	Synthetic	12 Oz	41170966AB
		Quart	41170966AE
		Gallon	41170966AF

Reducer Type	Red. Stage	Mounting position																	
		A1			A2			A3			A4			A5			A6		
		Required Volume	You Need to Purchase		Required Volume	You Need to Purchase		Required Volume	You Need to Purchase		Required Volume	You Need to Purchase		Required Volume	You Need to Purchase		Required Volume	You Need to Purchase	
			Gal	Qt		Gal	Qt		Gal	Qt		Gal	Qt		Gal	Qt		Gal	Qt
H_38	2	0.60 Qt	-	1	1.20 Qt	-	2	0.70 Qt	-	1	0.80 Qr	-	1	0.70 Qt	-	1	0.70 Qt	-	1
	3		-	1		-	1		1.00 Qt	-	1								
H_48	2	1.20 Qt	-	2	2.60 Qt	-	3	1.60 Qt	-	2	2.00 Qt	-	2	1.70 Qt	-	2	1.40 Qt	-	2
	3		-	2		2.60 Qt	-		3	1.60 Qt	-	2	1.50 Qt	-	2				
H_68	2	1.90 Qt	-	2	1.09 Gal	1	1	2.70 Qt	-	3	3.40Qt	1	-	2.90 Qt	-	3	2.50 Qt	-	3
	3	1.80 Qt	-	2	1.06 Gal	1	1	2.80 Qt	-	3	1.06 Gal	1	1	2.80 Qt	-	3	2.60 Qt	-	3
H_88	2	1.09 Gal	1	1	2.33 Gal	2	2	1.50 Gal	1	2	1.99 Gal	2	-	1.61 Gal	1	3	1.40 Gal	1	2
	3	1.06 Gal	1	1	2.35 Gal	2	2	1.56 Gal	1	3	2.46 Gal	2	2	1.56 Gal	1	3	1.43 Gal	1	2
H_108	2	1.78 Gal	2	-	3.59 Gal	3	3	2.28 Gal	2	2	3.49 Gal	3	2	2.78 Gal	3	-	2.46 Gal	2	2
	3	1.71 Gal	1	3	3.63 Gal	3	3	2.38 Gal	2	2	4.13 Gal	4	1	2.73 Gal	2	3	2.51 Gal	2	3
H_128	2	2.38 Gal	2	2	5.53 Gal	5	2	3.49 Gal	3	2	5.26 Gal	5	2	4.23 Gal	4	1	3.73 Gal	3	3
	3	2.30 Gal	2	2	5.68 Gal	5	3	3.73 Gal	3	3	6.45 Gal	6	2	4.18 Gal	4	1	3.91 Gal	4	-
H_148	2	3.23 Gal	3	1	7.24 Gal	7	1	6.31 Gal	6	2	6.79 Gal	7	-	5.50 Gal	5	2	4.84 Gal	5	-
	3	3.09 Gal	3	1	7.38 Gal	7	2	6.19 Gal	6	1	8.51 Gal	8	2	5.39 Gal	5	2	5.05 Gal	5	1
H_168	2	4.97 Gal	5	-	11.01 Gal	12	-	8.48 Gal	8	2	12.08 Gal	13	-	9.19 Gal	9	1	7.95 Gal	8	-
	3	4.79 Gal	5	-	11.15 Gal	12	-	8.93 Gal	9	-	14.38 Gal	15	-	9.01 Gal	9	1	8.24 Gal	8	1
M_38	2	1.60 Qt	-	2	2.10 Qt	-	3	0.85 Qt	-	1	1.80 Qt	-	2	1.25 Qt	-	2	1.25 Qt	-	2
	3		-	3		2.10 Qt	-		3	1.15 Qt	-	2							
M_48	2	2.10 Qt	-	3	3.05 Qt	1	-	1.50 Qt	-	2	3.15 Qt	1	-	1.90 Qt	-	2	1.90 Qt	-	2
	3		-	2		1.60 Qt	-	2	3.05 Qt	1	-	1.80 Qt	-		2				
M_68	2	1.19 Gal	1	1	1.54 Gal	1	3	2.95 Qt	-	3	1.26 Gal	1	2	1.00 Gal	1	-	1.00 Gal	1	-
	3	1.16 Gal	1	1	1.50 Gal	1	2	3.05 Qt	1	-	1.69 Gal	1	3	0.98 Gal	1	-	3.80 Qt	1	-
M_88	2	2.30 Gal	2	2	3.09 Gal	3	1	1.78 Gal	2	-	2.73 Gal	3	-	2.06 Gal	2	1	2.11Gal	2	1
	3		3.01 Gal	3	1	1.71 Gal	1	3	3.33 Gal	3	2	2.04 Gal	2	1	1.99 Gal	2	-		
M_108	2	3.80 Gal	4	-	5.05 Gal	5	1	2.35 Gal	2	2	3.97 Gal	4	-	3.11 Gal	3	1	3.18 Gal	3	1
	3	3.68 Gal	3	3	4.96 Gal	5	-	2.40 Gal	2	2	4.99 Gal	5	-	3.09 Gal	3	1	2.96 Gal	3	-
M_128	2	7.31 Gal	7	2	8.99 Gal	9	-	3.75 Gal	3	3	7.31 Gal	7	2	5.68 Gal	5	3	5.70 Gal	5	3
	3	7.16 Gal	7	1	9.14 Gal	9	1	3.94 Gal	4	-	9.11 Gal	9	1	5.63 Gal	5	3	5.44 Gal	5	2
M_148	2	10.51 Gal	11	-	12.95 Gal	13	-	5.76 Gal	6	-	11.36 Gal	12	-	8.38 Gal	8	2	8.33 Gal	8	2
	3	10.28 Gal	11	-	13.05 Gal	14	-	5.89 Gal	6	-	13.64 Gal	14	-	8.24 Gal	8	1	7.83 Gal	8	-
M_168	2	16.73 Gal	17	-	18.51 Gal	19	-	8.48 Gal	8	2	17.41 Gal	18	-	12.98 Gal	13	-	13.00 Gal	13	-
	3	16.38 Gal	17	-	18.65 Gal	19	-	8.64 Gal	8	3	21.05 Gal	22	-	12.79 Gal	13	-	12.18 Gal	13	-
B_38	3	0.50 Qt	-	1	0.90 Qt	-	1	1.10 Qt	-	2	1.50 Qt	-	2	1.00 Qt	-	1	0.95 Qt	-	1
B_48	3	0.75 Qt	-	1	1.25 Qt	-	2	1.70 Qt	-	2	2.35 Qt	-	3	1.60 Qt	-	2	1.85 Qt	-	2
B_68	3	1.35 Qt	-	2	2.55 Qt	-	3	3.10 Qt	1	-	1.03 Gal	1	1	2.95 Qt	-	3	2.85 Qt	-	3
B_88	3	2.30 Qt	-	3	1.21 Gal	1	1	1.56 Gal	1	2	1.96 Gal	2	-	1.30 Gal	1	2	1.23 Gal	1	1
B_108	3	1.26 Gal	1	2	2.16 Gal	2	1	2.50 Gal	2	2	3.33 Gal	3	2	2.29 Gal	2	2	2.19 Gal	2	1
B_128	3	2.05 Gal	2	1	3.84 Gal	4	-	5.18 Gal	5	1	6.45 Gal	6	2	4.48 Gal	4	2	4.25 Gal	4	1
B_148	3	3.54 Gal	3	3	5.81 Gal	6	-	7.96 Gal	8	-	10.48 Gal	11	-	6.81 Gal	7	-	7.13 Gal	7	1
B_168	3	5.35 Gal	5	2	9.03 Gal	9	1	12.06 Gal	13	-	15.99 Gal	16	-	10.61 Gal	11	-	10.18 Gal	11	-