

Torque-Arm® II Vertical Breather Kit

TA0–TA3 and TA4–TA12

Instruction Manual

These instructions must be read thoroughly before installation or operation. This instruction manual was accurate at the time of printing. Please see dodgeindustrial.com for updated instruction manuals.

WARNING: To ensure the drive is not unexpectedly started, turn off and lock-out or tag power source before proceeding. Failure to observe these precautions could result in bodily injury.

WARNING: All products over 25 kg (55 lbs) are noted on the shipping package. Proper lifting practices are required for these products.

Where space constraints prevent installing the breather in vent locations 5 for Position E or location 6 for Position F (see Figure 1), install vertical breather kit in location 2 for Position E or location 4 for Position F.

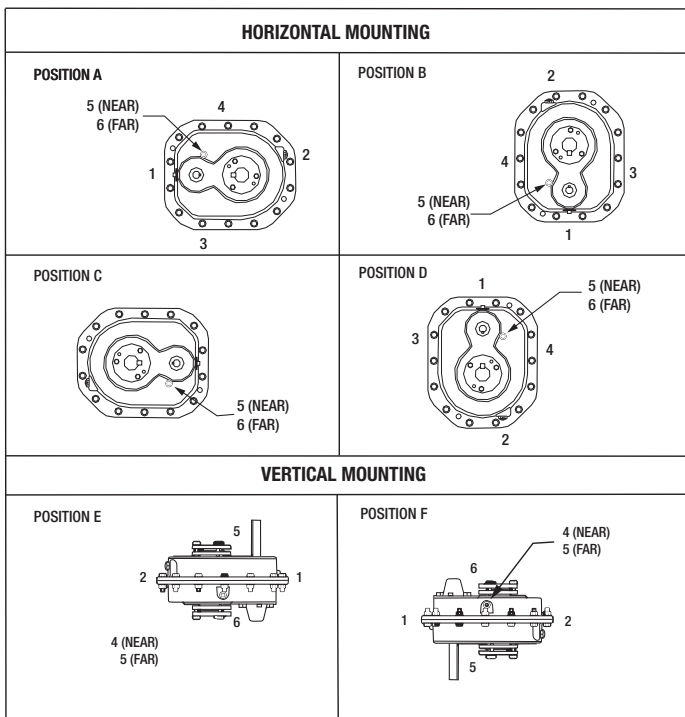


Figure 1 - Reducer Mounting Positions

WARNING: Because of the possible danger to person(s) or property from accidents which may result from the improper use of products, it is important that correct procedures be followed. Products must be used in accordance with the engineering information specified in the catalog. Proper installation, maintenance and operation procedures must be observed. The instructions in the instruction manuals must be followed. Inspections should be made as necessary to assure safe operation under prevailing conditions. Proper guards and other suitable safety devices or procedures as may be desirable or as may be specified in safety codes should be provided, and are neither provided by Dodge® nor are the responsibility of Dodge. This unit and its associated equipment must be installed, adjusted and maintained by qualified personnel who are familiar with the construction and operation of all equipment in the system and the potential hazards involved. When risk to persons or property may be involved, a holding device must be an integral part of the driven equipment beyond the speed reducer output shaft.

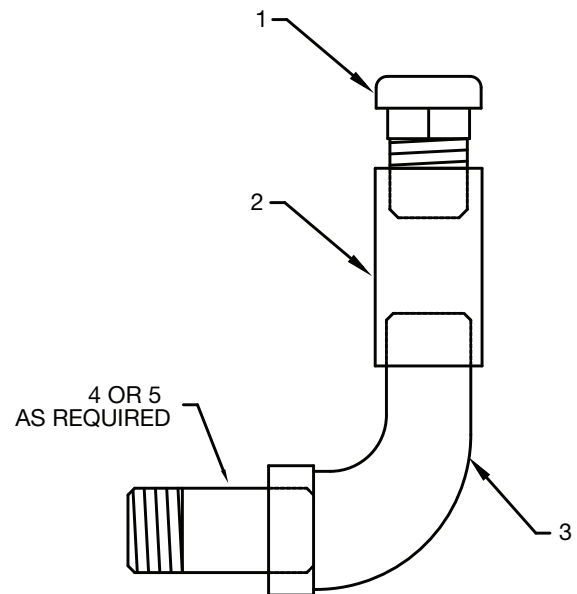


Figure 2 - Vertical Breather Kit Assembly

Table 1–Vertical Breather Assemblies

Vertical Breather Kit	
Reducer Size	Part Number
TA0 - TA3	900112
TA4 - TA12	904112

Table 2–Parts for Vertical Breather Kit

Ref. No. ①	Qty.	Part Description	TA0–TA3	TA4–TA12
1	1	Breather Vent	900287	904287
2	1	Pipe Coupling	A31484	A45622
3	1	90° Street Ell	A38815	A38817
4 ②	1	1-1/2" Pipe Nipple	A38847	A38845
5 ②	1	3" Pipe Nipple	A31570	304596
6 ③	1	3/4" to 1/2" Adapter	N/A	430079

Notes:

① Refer to Figure 2.

② Two lengths of pipe nipples are provided. Only one is required. Use pipe nipple length best suited to the application and discard the other.

③ Not shown on drawing. Used only on TA4–TA12.

Dodge Industrial, Inc.
1061 Holland Road
Simpsonville, SC 29681
+1 864 297 4800

