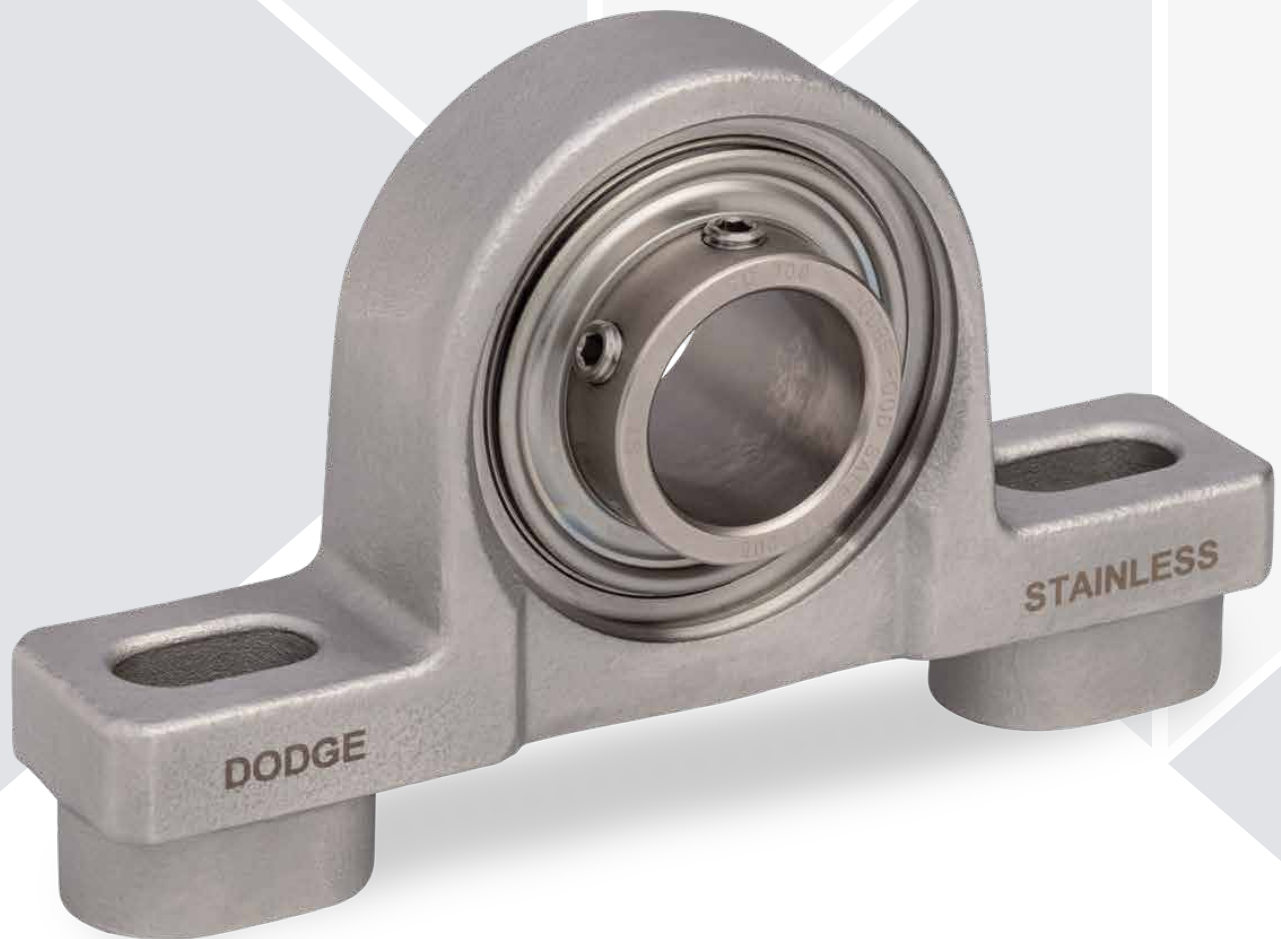




MOUNTED BALL BEARINGS



FoodSafe™



IP69 RATED for water and backed by an unprecedented 1-year warranty against failure due to water ingress

Food Safe™ mounted ball bearings



Housing Style	Standard housing	Stand-off housing
Pillow block	x	x
Tapped base	x	x
Two-bolt flange	x	x
Four-bolt flange	x	x
Flanged bracket (3-bolt)	x	x
Wide slot take-up	x	
Narrow slot take-up	x	

Safeguard equipment and product integrity

Food safety and reliability

As regulations and consumers continue to pressure manufacturers for more stringent food safety requirements, producers must take a proactive approach to controlling and preventing foodborne illnesses. Having the right processes in place and equipment that is designed around food safety principles is critical.

Average cost per recall to food producers is over \$10 million*

Aggressive cleaning is necessary but can be extremely tough on equipment. At the same time, failure to achieve effective sanitation can have devastating and far-reaching effects on a company's reputation and profits. To ensure uptime, don't let bearings be the weak link in your production chain. Food Safe mounted ball bearings can improve reliability for your clean-in-place procedures and provide you the assurance needed. Food Safe bearings solve two of the most prominent industry challenges when it comes to bearings—grease washout and corrosion. We conquer these challenges with advanced designs and back our product with an unprecedented 1-year warranty from failure due to water ingress.

* SOURCE: food-safety.com

Improved cleanability for clean-in-place applications

Enhanced cleanability

Housing

Smooth finish without a grease zerk to minimize bacteria harboring points

Laser identification

Minimizes crevices that can harbor bacteria

Reduced maintenance

Sealed bearings

Sealed and lubed-for-life design minimizes maintenance costs

Extended life

Hydro armor seal

Protects internal rotating elements from water ingress

Maxlife cage

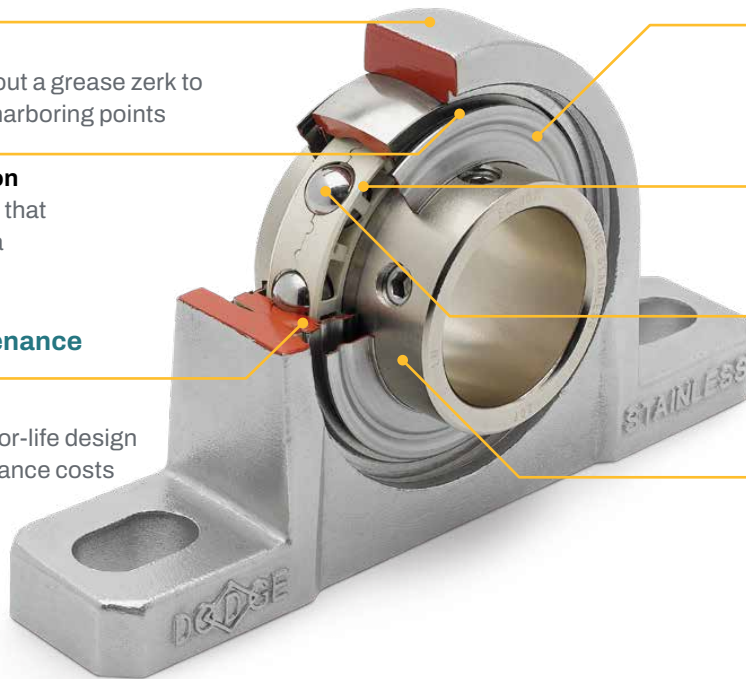
Prevents grease washout

H1 food grade lubricant

Lubed for life with synthetic food-grade lubricant

KleenTec insert

Enhanced corrosion resistance from common cleaning agents



Stand-off bearing additional features

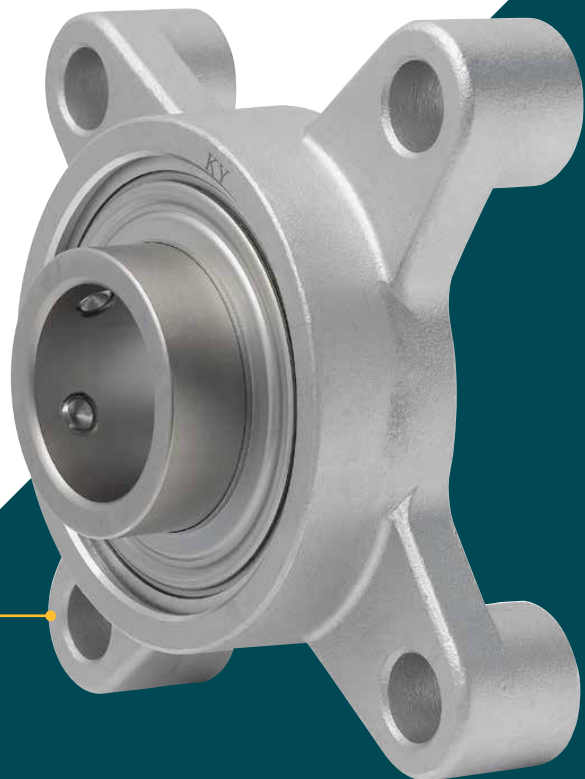
Backside seal option

Field installable for additional protection (optional)



Housing

1/2" integral stand-off



Tested at seven times the recommended water pressure

For proven robustness of our sealing system

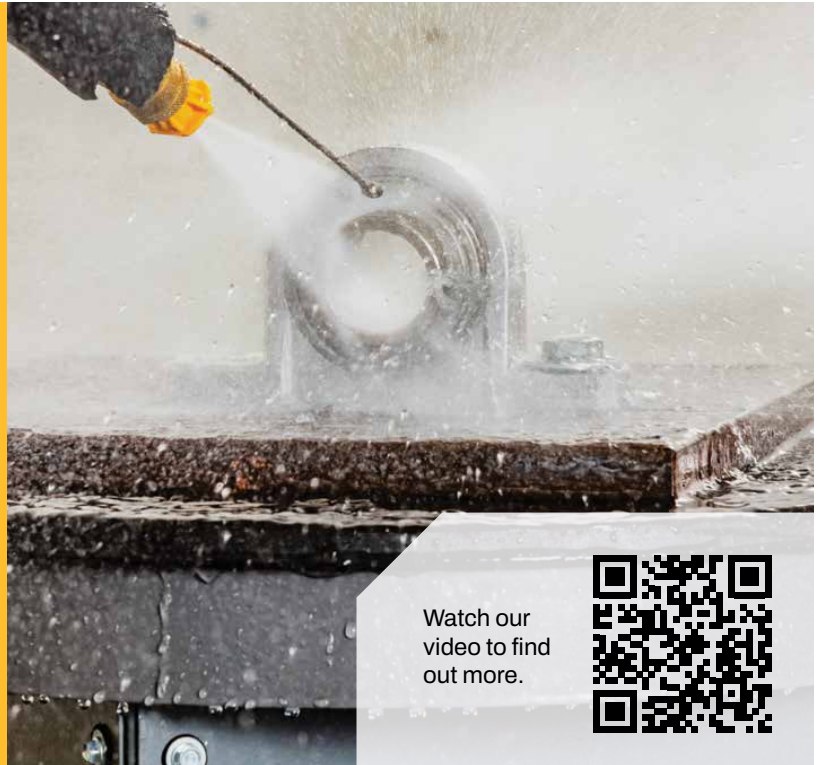
IP69 is the recommended standard for washdown environments. Products carrying an IP69 rating for water are protected against high-temperature and high-pressure spray at close proximity. Although industry guidelines recommend limiting cleaning pressures to 200 psi to prevent atomizing bacteria, our testing is conducted at seven times this pressure to demonstrate the robustness of our sealing system. To meet the IP69 rating for water, a bearing cannot allow any water past the seal under the extreme test parameters outlined below. Dodge® Food Safe mounted ball bearings are the first bearings on the market that can meet this requirement without the use of an end cover.

IP69

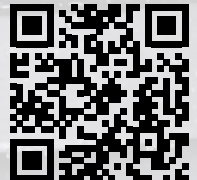
RATED 

IP69 TEST PROCEDURES

- 176° Fahrenheit
- 1,160 - 1,450 psi
- Distance: 4 - 6 in
- Flow rate: four gallons per minute
- Five revolutions per minute
- Four spray positions;
0, 30, 60, 90 degrees
- 30 seconds per position



Watch our
video to find
out more.



Backed by an unprecedented 1-year warranty against failure due to water ingress

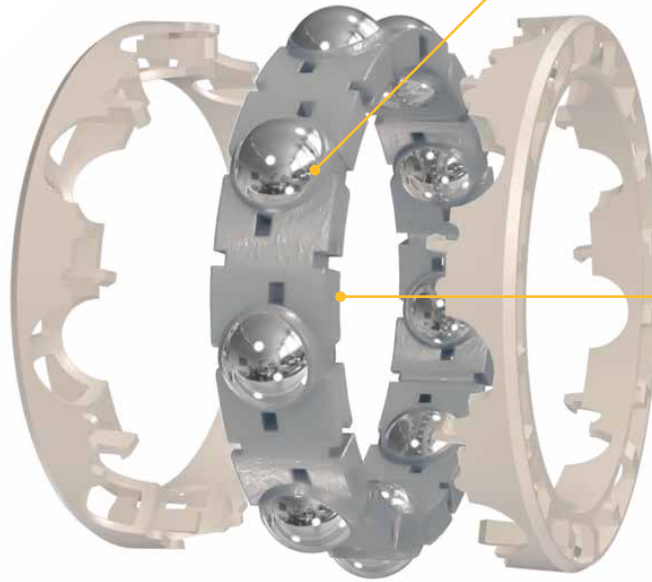
We are confident in our testing and simulations of real-life, clean-in-place procedures and have backed Food Safe bearings with an unprecedented 1-year warranty against failures due to water ingress. Unlike traditional warranties that only cover materials and workmanship, Food Safe bearings carry a 1-year warranty against failure due to water ingress.

Superior lubrication protection system

Maxlife cage - grease washout prevention



Compartments hold grease in to prevent grease washout during high-pressure cleaning



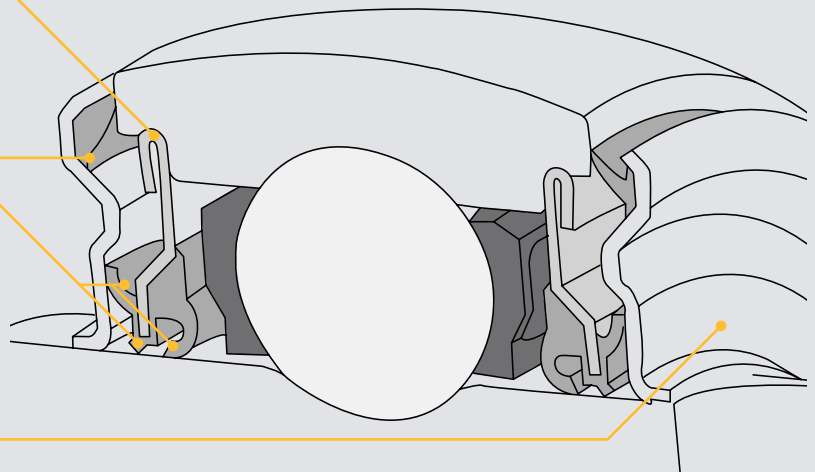
Unlike standard designs, the Maxlife cage holds a large volume of grease which ensures constant contact with the rolling elements

H1 food-grade grease, meeting Kosher, Pareve, and Halal requirements

Hydro armor seal

Eliminates seal blowout due to mechanically retained design

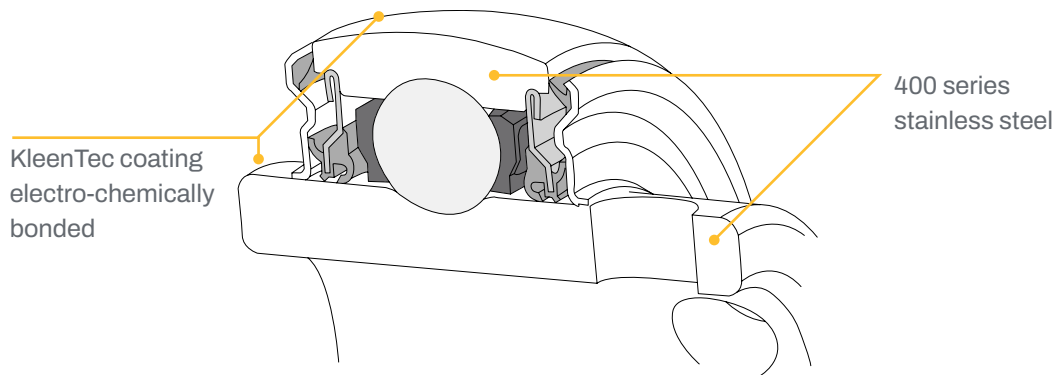
Four contact lip seals keep water and contamination from entering the bearing



Stainless steel flinger is extended for greater protection under high-pressure washdown

Revolutionary insert design for unmatched corrosion resistance

Food Safe mounted ball bearings with proprietary KleenTec coating



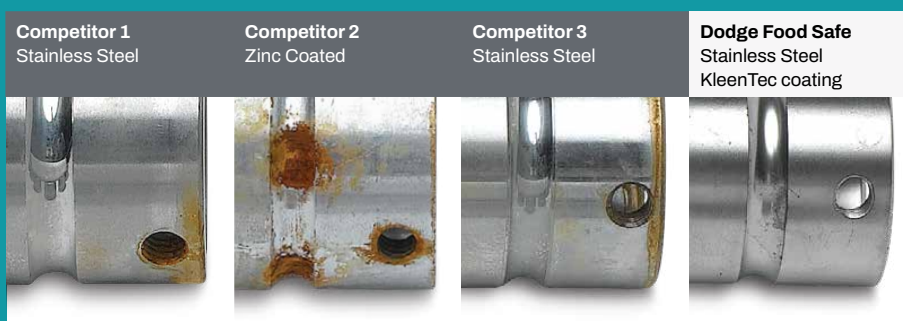
Processing equipment, which commonly includes ball bearings, is frequently washed with high-pressure water and chemicals to maintain a clean, hygienic production environment. This type of environment is extremely tough on bearings.

Washdown bearing housings are typically made of 300-series stainless steel which have a high chromium and nickel content for corrosion resistance, but due to the low carbon content, results in lower mechanical properties. To achieve the load-carrying capacity needed for an inner and outer ring, 400-series stainless is used which has increased carbon content for higher strength, but its lower chromium and nickel content results in decreased corrosion-resistance properties.

The Food Safe insert is designed with a 400-series base material to carry high loads, and a proprietary new KleenTec coating which outperforms competitive stainless or coated-carbon steel designs. KleenTec is a multistep process that utilizes chemical, electromechanical, and mechanical finishing techniques resulting in a bond strength that exceeds 61,000 psi. Unlike other coatings, the KleenTec coating system has no grain structure, which prevents the harsh-alkaline and acid-cleaning solutions from reaching the base metal of the inner and outer rings.

Corrosion-resistance comparison

Acid liquid sanitizer



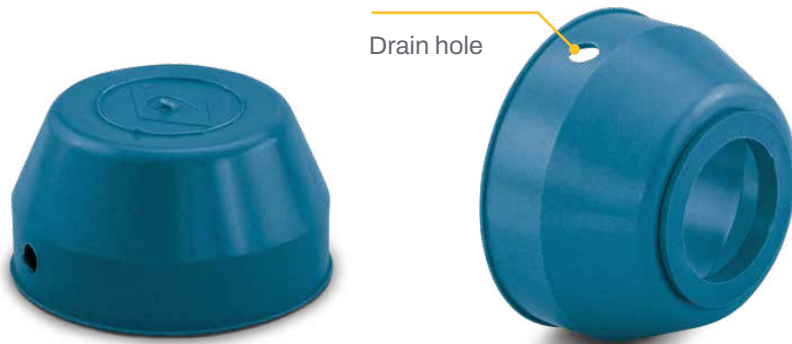
Improved safety and lower risk of recall

Cover rotating shafts with metal detectable end covers

Covers made from patent-pending polyethylene material containing stainless steel particles allow for x-ray and metal detection in the unlikely event they should be damaged and enter into the product. Additionally, the bright-blue color is highly visible to workers.

Open (through shaft) or closed snap-on style

Provides easy installation with an extended lip to provide a secure fit and positive sealing



Closed end cover

Series	Part number	Descriptions
204	128960	ECC-EZ-204
205	128961	ECC-EZ-205
206	128962	ECC-EZ-206
207	128963	ECC-EZ-207
208	128964	ECC-EZ-208
209	128965	ECC-EZ-209
210	128966	ECC-EZ-210

Open end cover

Shaft size	Part number	Descriptions
3/4 in	128974	ECO-EZ-012
20 mm	128991	ECO-EZ-20M
1 in	128975	ECO-EZ-100
25mm	128992	ECO-EZ-25M
1-3/16 in	128976	ECO-EZ-103
1-1/4 in	128989	ECO-EZ-104S
35 mm	128993	ECO-EZ-30M
1-1/4 in	128977	ECO-EZ-104
1-7/16 in	128990	ECO-EZ-107
35 mm	128994	ECO-EZ-35M
1-1/2 in	128978	ECO-EZ-108
40 mm	128995	ECO-EZ-40M
1-11/16 in	128979	ECO-EZ-111
45 mm	128996	ECO-EZ-45M
1-15/16 in	128980	ECO-EZ-115
50 mm	128997	ECO-EZ-50M

Improved cleanability and lower contamination risk

Optional backside seal cover for the stand-off housing only

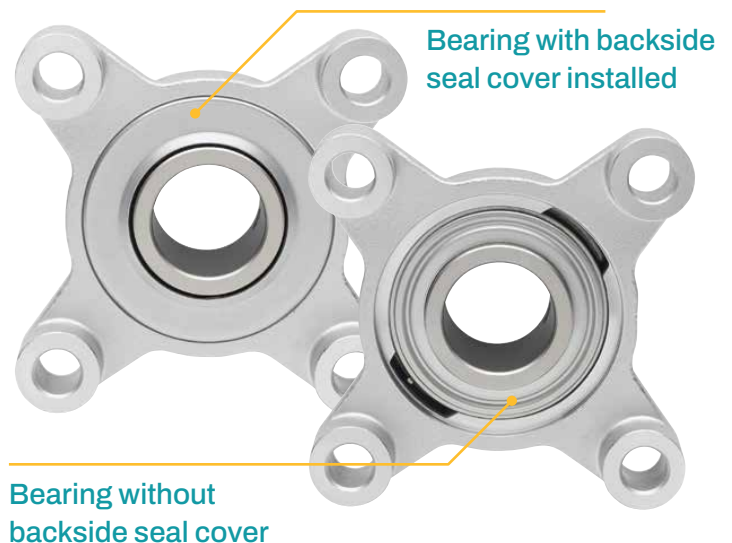
The backside seal cover offers auxiliary protection from contaminants on the back side of the housing. It is sold as an accessory and is field installable. A supplementary installation tool is available.

Backside seal covers

Part number	Description
137695	204 backside seal cover - stand-off
137696	205 backside seal cover - stand-off
137697	206 backside seal cover - stand-off
137698	207 backside seal cover - stand-off
137699	208 backside seal cover - stand-off

Backside seal cover tools

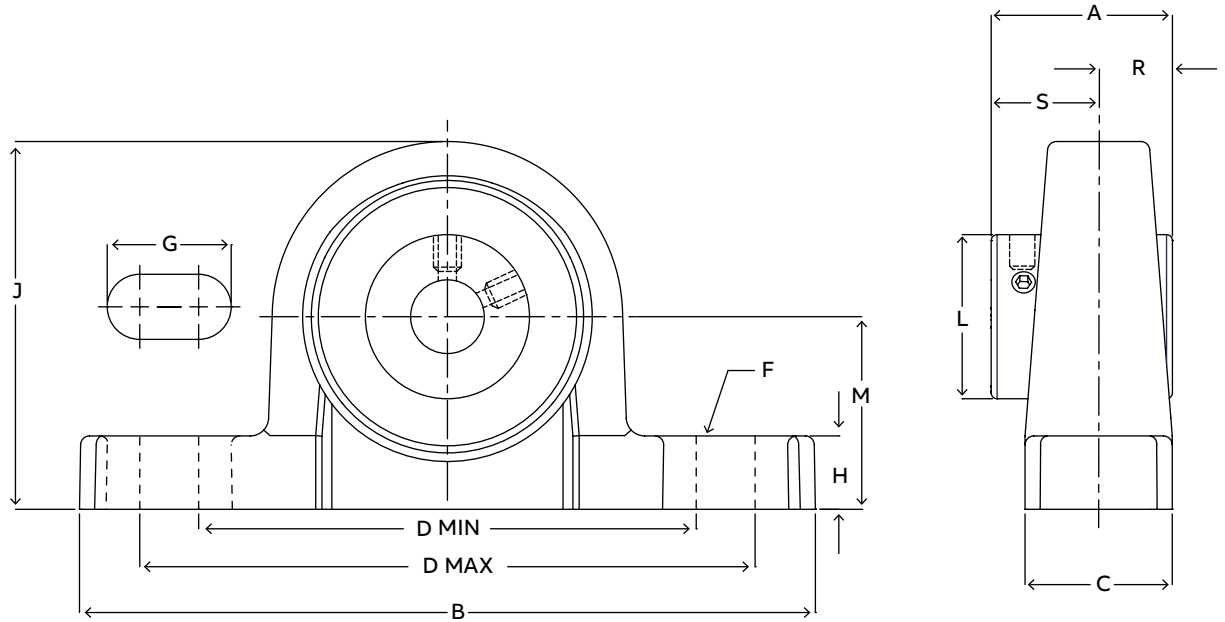
Part number	Description
138985	204 backside seal cover installation tool
138986	205 backside seal cover installation tool
138987	206 backside seal cover installation tool
138988	207 backside seal cover installation tool
138989	208 backside seal cover installation tool



Selection / Dimensions

Food Safe mounted ball bearings

Pillow block bearing with standard housing



Pillow block bearing with standard housing

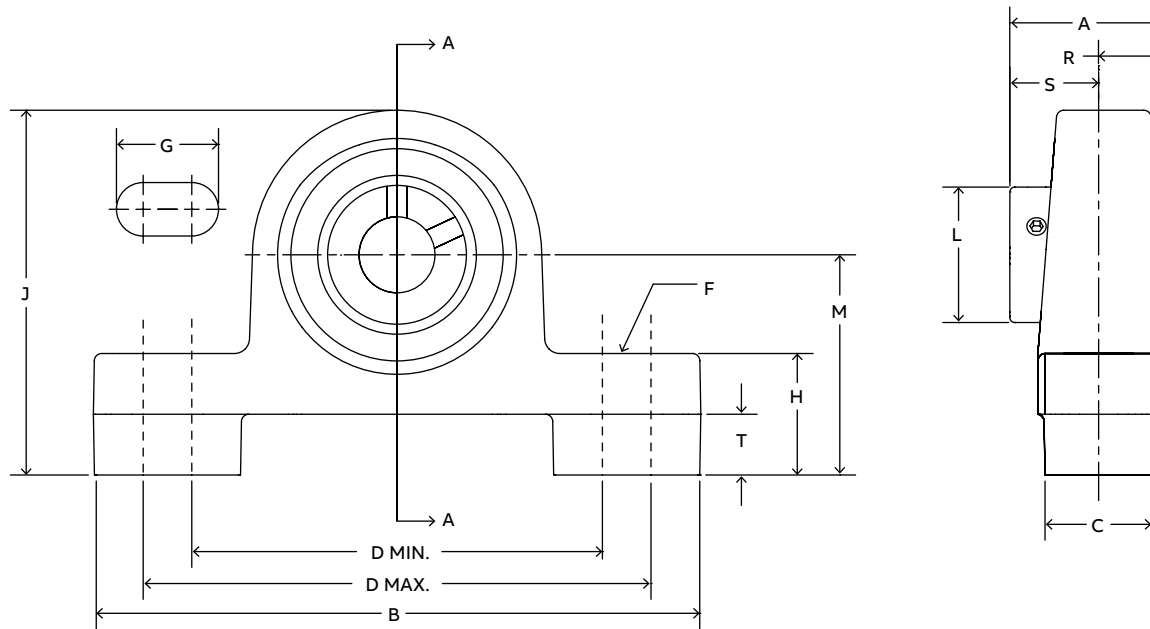
Series	Shaft size	With Food Safe insert		Weight lbs. (kg)	A	B	C	D		F bolt	G	H	J	L	M	R	S
		Part no.	Description					Min.	Max.								
204	1/2	137391	P2B-SCFS-008L-SHFS														
	5/8	137392	P2B-SCFS-010L-SHFS	1.31	1.23	5.00	1.00	3.38	4.18	3/8	0.84	0.50	2.50	1.11	1.31	0.5	0.73
	3/4	137393	P2B-SCFS-012-SHFS														
	20 mm	137395	P2B-SCFS-20M-SHFS	0.59	31.2	127.0	25.4	85.9	106.2	M10	21.3	12.7	63.5	28.2	33.3	12.7	18.5
205	7/8	137396	P2B-SCFS-014-SHFS														
	15/16	137397	P2B-SCFS-015-SHFS	1.59	1.34	5.50	1.12	3.68	4.50	3/8	0.85	0.53	2.71	1.32	1.44	0.56	0.78
	1	137398	P2B-SCFS-100-SHFS														
	25 mm	137399	P2B-SCFS-25M-SHFS	0.73	34.0	139.7	28.4	93.5	114.3	M10	21.6	13.5	68.8	33.5	36.6	14.2	19.8
206	1-1/8	137401	P2B-SCFS-102-SHFS	2.33													
	1-3/16	137402	P2B-SCFS-103-SHFS	2.33	1.52	6.25	1.25	4.26	5.00	1/2	0.93	0.53	3.13	1.57	1.63	0.58	0.94
	1-1/4	137403	P2B-SCFS-104S-SHFS	2.29													
	30 mm	137404	P2B-SCFS-30M-SHFS	1.06	38.6	158.8	31.8	108.2	127.0	M12	23.6	13.5	79.5	39.9	41.4	14.7	23.9
207	1-1/4	137410	P2B-SCFS-104-SHFS	3.36													
	1-5/16	137411	P2B-SCFS-105-SHFS	3.36													
	1-3/8	137412	P2B-SCFS-106-SHFS	3.36	1.71	6.50	1.38	4.68	5.44	1/2	0.94	0.56	3.63	1.84	1.88	0.67	1.04
	1-7/16	137413	P2B-SCFS-107-SHFS	3.19													
	35 mm	137414	P2B-SCFS-35M-SHFS	1.47	43.4	165.1	35.1	118.9	138.2	M12	23.9	14.2	92.2	46.7	47.8	17.0	26.4
208	1-1/2	137415	P2B-SCFS-108-SHFS	4.39	1.94	7.00	1.50	5.18	6.00	1/2	0.97	0.75	4.00	2.05	2.13	0.75	1.19
	40 mm	137417	P2B-SCFS-40M-SHFS	1.95	49.3	177.8	38.1	131.6	152.4	M12	24.6	19.1	101.6	52.1	54.1	19.1	30.2
210	1-15/16	137425	P2B-SCFS-115-SHFS	5.14													
	2	137426	P2B-SCFS-200-SHFS	5.09	1.94	8.00	1.63	5.76	6.68	5/8	1.14	0.62	4.31	2.43	2.25	0.75	1.19
	50 mm	137427	P2B-SCFS-50M-SHFS	2.29	49.3	203.2	41.4	146.3	169.7	M16	29.0	15.7	109.5	61.7	57.2	19.1	30.2

Note: Dimensions are in inches except shaded cells that are in millimeters.

Selection / Dimensions

Food Safe mounted ball bearings

Pillow block bearing with stand-off housing



Pillow block bearing with stand-off housing

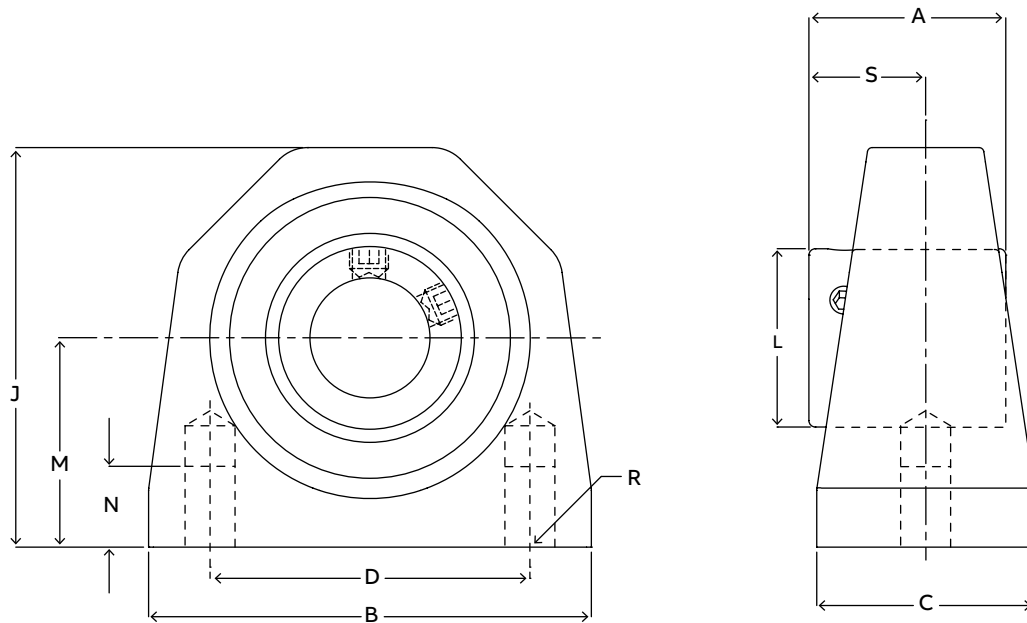
Series	Shaft size	With Food Safe insert		Weight lbs. (kg)	A	B	C	D		F bolt	G	H	J	L	M	R	S	T
		Part no.	Description					Min.	Max.									
204	1/2	138892	P2BSO-SCFS-008L-SHFS															
	5/8	138893	P2BSO-SCFS-010L-SHFS	1.48	1.23	4.97	0.88	3.38	4.18	3/8-16	0.84	1.00	3.00	1.12	1.81	0.50	0.73	0.50
	3/4	138894	P2BSO-SCFS-012-SHFS															
	20 mm	138895	P2BSO-SCFS-20M-SHFS	0.67	31.2	126.2	22.4	85.9	106.2	M10	21.3	25.4	76.2	28.4	46.0	12.7	18.5	12.7
	7/8	138896	P2BSO-SCFS-014-SHFS															
205	15/16	138897	P2BSO-SCFS-015-SHFS	1.80	1.34	5.40	0.90	3.68	4.50	3/8-16	0.85	1.03	3.21	1.32	1.94	0.56	0.78	0.50
	1	138898	P2BSO-SCFS-100-SHFS															
	25 mm	138899	P2BSO-SCFS-25M-SHFS	0.82	34.0	137.2	22.9	93.5	114.3	M10	21.6	26.2	81.5	33.5	49.3	14.2	19.8	12.7
	1-1/8	138900	P2BSO-SCFS-102-SHFS															
206	1-3/16	138901	P2BSO-SCFS-103-SHFS	2.61	1.52	6.12	1.12	4.26	5.00	1/2-13	0.93	1.03	3.63	1.57	2.13	0.58	0.94	0.50
	1-1/4	138902	P2BSO-SCFS-104S-SHFS															
	30 mm	138903	P2BSO-SCFS-30M-SHFS	1.18	38.6	155.4	28.4	108.2	127.0	M12	23.6	26.2	92.2	39.9	54.1	14.7	23.9	12.7
	1-1/4	138904	P2BSO-SCFS-104-SHFS															
207	1-5/16	138905	P2BSO-SCFS-105-SHFS	3.60	1.71	6.48	1.12	4.68	5.44	1/2-13	0.94	1.06	4.13	1.84	2.38	0.67	1.04	0.50
	1-3/8	138906	P2BSO-SCFS-106-SHFS															
	1-7/16	138907	P2BSO-SCFS-107-SHFS															
	35 mm	138908	P2BSO-SCFS-35M-SHFS	1.63	43.4	164.6	28.4	118.9	138.2	M12	23.9	26.9	104.9	46.7	60.5	17.0	26.4	12.7
208	1-1/2	138909	P2BSO-SCFS-108-SHFS	4.60	1.94	6.98	1.16	5.18	6.00	1/2-13	0.97	1.25	4.51	2.05	2.63	0.75	1.19	0.50
	40 mm	138910	P2BSO-SCFS-40M-SHFS	2.09	49.3	177.3	29.5	131.6	152.4	M12	24.6	31.8	114.6	52.1	66.8	19.1	30.2	12.7

Note: Dimensions are in inches except shaded cells that are in millimeters.

Selection / Dimensions

Food Safe mounted ball bearings

Tapped base bearing with standard housing



Tapped base bearing with standard housing

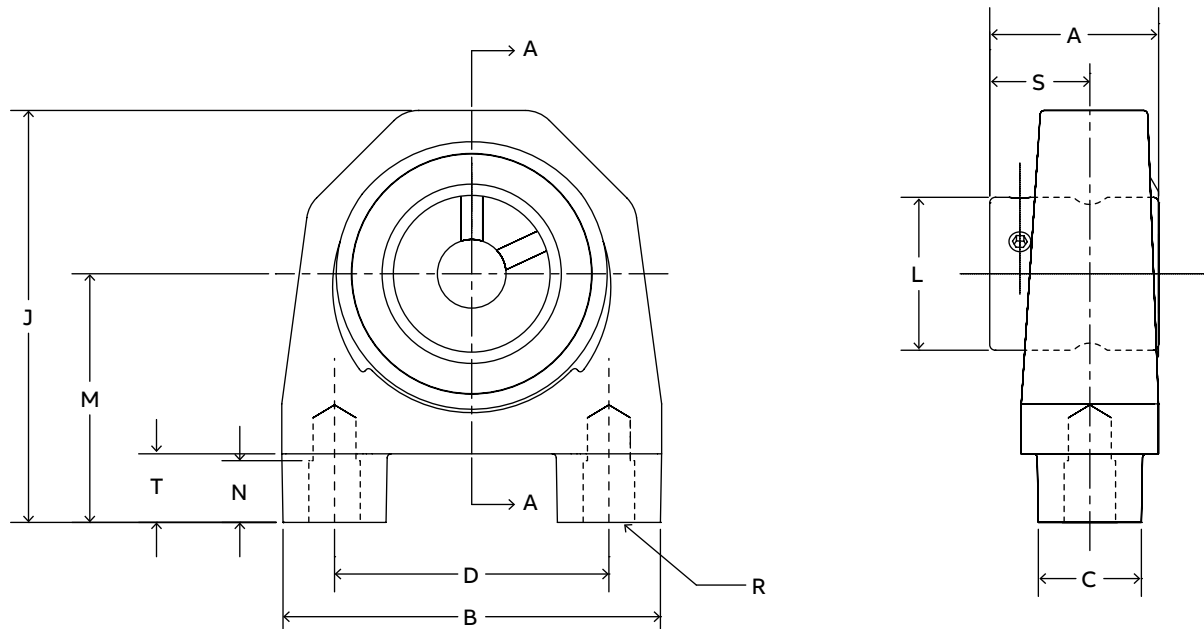
Series	Shaft size	With Food Safe insert		Weight lbs. (kg)	A	B	C	D	J	L	M	N	R	S
		Part no.	Description											
204	1/2	137436	TB-SCFS-008L-SHFS											
	5/8	137437	TB-SCFS-010L-SHFS	1.27	1.23	2.77	1.36	2.00	2.50	1.11	1.31	0.45	3/8-16	0.73
	3/4	136784	TB-SCFS-012-SHFS											
	20 mm	136855	TB-SCFS-20M-SHFS	.576	31.2	70.4	34.5	50.8	63.5	28.2	33.4	11.4	M10	18.5
205	7/8	137441	TB-SCFS-014-SHFS											
	15/16	137442	TB-SCFS-015-SHFS	1.48	1.34	3.06	1.39	2.00	2.75	1.32	1.44	0.45	3/8-16	0.78
	1	137443	TB-SCFS-100-SHFS											
	25 mm	137444	TB-SCFS-25M-SHFS	.671	34.0	77.7	35.3	50.8	69.9	33.5	36.5	11.4	M10	19.8
206	1-1/8	137446	TB-SCFS-102-SHFS											
	1-3/16	137447	TB-SCFS-103-SHFS	2.49	1.52	3.84	1.50	3.00	3.22	1.57	1.69	0.88	7/16-14	0.94
	1-1/4	137448	TB-SCFS-104S-SHFS											
	30 mm	137449	TB-SCFS-30M-SHFS	1.13	38.6	97.5	38.1	76.2	81.8	39.9	42.9	22.4	M10	23.9
207	1-1/4	137450	TB-SCFS-104-SHFS											
	1-5/16	137451	TB-SCFS-105-SHFS	3.55	1.71	4.15	1.77	3.25	3.66	1.84	1.88	0.75	1/2-13	1.04
	1-3/8	137452	TB-SCFS-106-SHFS											
	1-7/16	137453	TB-SCFS-107-SHFS											
	35 mm	137454	TB-SCFS-35M-SHFS	1.61	43.4	105.4	45.0	82.6	93.0	46.7	47.6	19.1	M12	26.4
208	1-1/2	137455	TB-SCFS-108-SHFS	4.21	1.94	4.51	1.80	3.50	4.00	2.05	2.13	1.00	1/2-13	1.19
	40 mm	137457	TB-SCFS-40M-SHFS	1.91	49.3	114.6	45.7	88.9	101.6	52.1	54.0	25.4	M12	30.2

Note: Dimensions are in inches except shaded cells that are in millimeters.

Selection / Dimensions

Food Safe mounted ball bearings

Tapped base bearing with stand-off housing



Tapped base bearing with stand-off housing

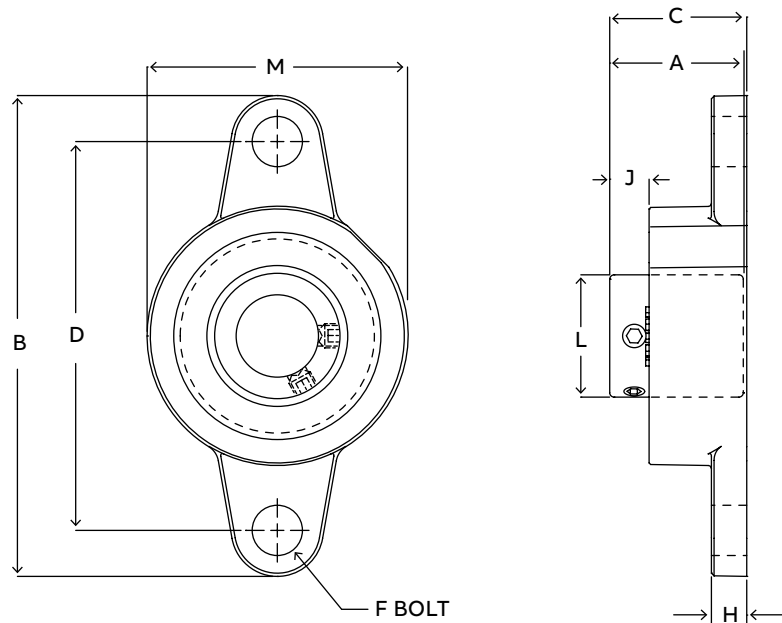
Series	Shaft size	With Food Safe insert		Weight lbs. (kg)	A	B	C	D	R	J	L	M	N	S	T
		Part no.	Description												
204	1/2	138911	TBSO-SCFS-008L-SHFS												
	5/8	138912	TBSO-SCFS-010L-SHFS	1.33	1.23	2.75	0.75	2.00	3/8-16	3.00	1.12	1.81	0.45	0.73	0.50
	3/4	138913	TBSO-SCFS-012-SHFS												
	20 mm	138914	TBSO-SCFS-20M-SHFS	0.60	31.2	69.9	19.1	50.8	M10	76.2	28.4	46.0	11.4	18.5	12.7
205	7/8	138915	TBSO-SCFS-014-SHFS												
	15/16	138916	TBSO-SCFS-015-SHFS	1.60	1.34	2.88	0.88	2.00	3/8-16	3.25	1.32	1.94	0.45	0.78	0.50
	1	138917	TBSO-SCFS-100-SHFS												
	25 mm	138918	TBSO-SCFS-25M-SHFS	0.73	34.0	73.2	22.4	50.8	M10	82.6	33.5	49.3	11.4	19.8	12.7
206	1-1/8	138919	TBSO-SCFS-102-SHFS												
	1-3/16	138920	TBSO-SCFS-103-SHFS	2.49	1.52	3.81	0.81	3.00	7/16-14	3.72	1.57	2.19	0.88	0.94	0.50
	1-1/4	138921	TBSO-SCFS-104S-SHFS												
	30 mm	138922	TBSO-SCFS-30M-SHFS	1.13	38.6	96.8	20.6	76.2	M10	94.5	39.9	55.6	22.4	23.9	12.7
207	1-1/4	138923	TBSO-SCFS-104-SHFS												
	1-5/16	138924	TBSO-SCFS-105-SHFS	3.36	1.71	4.13	0.88	3.25	1/2-13	4.16	1.84	2.38	0.75	1.04	0.50
	1-3/8	138925	TBSO-SCFS-106-SHFS												
	1-7/16	138926	TBSO-SCFS-107-SHFS												
208	35 mm	138927	TBSO-SCFS-35M-SHFS	1.52	43.4	104.9	22.4	82.6	M12	105.7	46.7	60.5	19.1	26.4	12.7
	1-1/2	138928	TBSO-SCFS-108-SHFS	4.67	1.94	4.48	1.00	3.50	1/2-13	4.50	2.05	2.63	1.00	1.19	0.50
	40 mm	138929	TBSO-SCFS-40M-SHFS	2.12	49.3	113.8	25.4	88.9	M12	114.3	52.1	66.8	25.4	30.2	12.7

Note: Dimensions are in inches except shaded cells that are in millimeters.

Selection / Dimensions

Food Safe mounted ball bearings

2-bolt flange bearing with standard housing



2-bolt flange bearing with standard housing

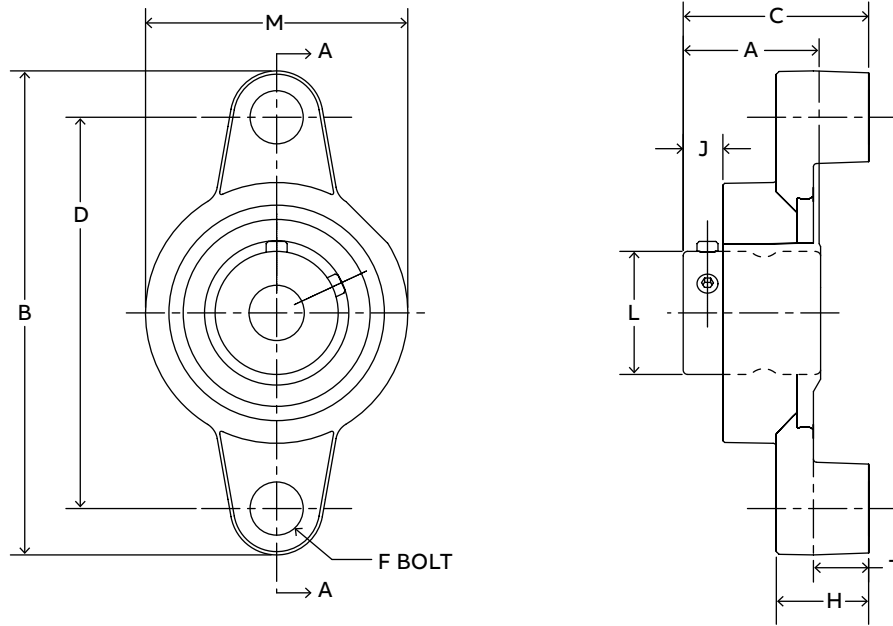
Series	Shaft size	With Food Safe insert		Weight lbs. (kg)	A	B	C	D	F bolt	H	J	L	M
		Part no.	Description										
204	1/2	137465	F2B-SCFS-008L-SHFS										
	5/8	137466	F2B-SCFS-010L-SHFS	0.95	1.23	4.38	1.25	3.54	3/8	0.32	0.36	1.11	2.38
	3/4	137467	F2B-SCFS-012-SHFS										
	20 mm	137469	F2B-SCFS-20M-SHFS	0.42	31.2	111.3	31.7	89.9	M10	8.1	9.1	28.2	60.5
205	7/8	137470	F2B-SCFS-014-SHFS										
	15/16	137471	F2B-SCFS-015-SHFS	1.21	1.34	4.89	1.37	3.89	3/8	0.35	0.39	1.32	2.63
	1	137472	F2B-SCFS-100-SHFS										
	25 mm	137473	F2B-SCFS-25M-SHFS	0.55	34.0	124.2	34.7	98.8	M10	8.9	9.9	33.5	66.8
206	1-1/8	137475	F2B-SCFS-102-SHFS	1.91									
	1-3/16	137476	F2B-SCFS-103-SHFS	1.91	1.52	5.51	1.59	4.59	3/8	0.35	0.46	1.57	3.13
	1-1/4	137477	F2B-SCFS-104S-SHFS	1.87									
	30 mm	137478	F2B-SCFS-30M-SHFS	0.87	38.6	140.0	40.4	116.6	M10	8.9	11.7	39.9	79.5
207	1-1/4	137479	F2B-SCFS-104-SHFS	2.64									
	1-5/16	137480	F2B-SCFS-105-SHFS	2.64									
	1-3/8	137481	F2B-SCFS-106-SHFS	2.64	1.71	6.18	1.76	5.12	1/2	0.42	0.55	1.84	3.50
	1-7/16	137482	F2B-SCFS-107-SHFS	2.47									
	35 mm	137483	F2B-SCFS-35M-SHFS	1.15	43.4	157.0	44.8	130.0	M12	10.7	13.9	46.7	88.9
208	1-1/2	137484	F2B-SCFS-108-SHFS	3.40	1.94	6.71	1.97	5.65	1/2	0.42	0.63	2.05	3.84
	40 mm	137486	F2B-SCFS-40M-SHFS	1.50	49.3	170.4	50.1	143.5	M12	10.7	16.1	52.1	97.5
210	1-15/16	137491	F2B-SCFS-115-SHFS	4.17									
	2	137492	F2B-SCFS-200-SHFS	4.13	1.94	7.48	1.98	6.18	5/8	0.48	0.63	2.43	4.31
	50 mm	137493	F2B-SCFS-50M-SHFS	1.87	49.3	190.0	50.3	157.0	M16	12.2	16.1	61.7	109.5

Note: Dimensions are in inches except shaded cells that are in millimeters.

Selection / Dimensions

Food Safe mounted ball bearings

2-bolt flange bearing with stand-off housing



2-bolt flange bearing with stand-off housing

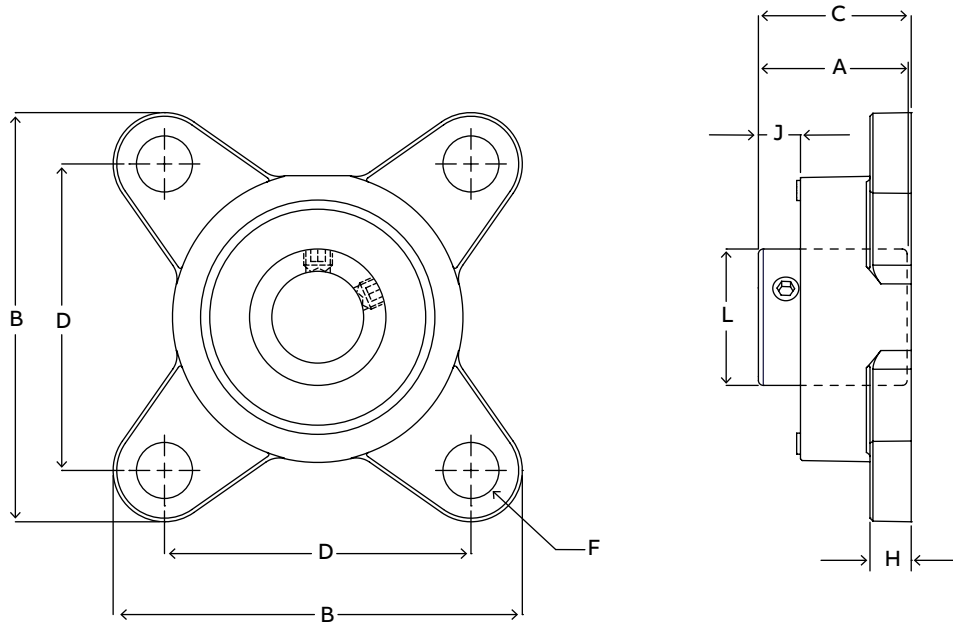
Series	Shaft size	With Food Safe insert		Weight lbs. (kg)	A	B	C	D	F bolt	H	J	L	M	T
		Part no.	Description											
204	1/2	138930	F2BSO-SCFS-008L-SHFS											
	5/8	138931	F2BSO-SCFS-010L-SHFS	1.04	1.23	4.38	1.68	3.54	3/8-16	0.84	0.36	1.12	2.38	0.50
	3/4	138932	F2BSO-SCFS-012-SHFS											
	20 mm	138933	F2BSO-SCFS-20M-SHFS	0.47	31.2	111.3	42.7	89.9	M10	21.3	9.1	28.4	60.5	12.7
205	7/8	138934	F2BSO-SCFS-014-SHFS											
	15/16	138935	F2BSO-SCFS-015-SHFS	1.28	1.34	4.89	1.73	3.89	3/8-16	0.85	0.39	1.32	2.63	0.50
	1	138936	F2BSO-SCFS-100-SHFS											
	25 mm	138937	F2BSO-SCFS-25M-SHFS	0.58	34.0	124.2	43.9	98.8	M10	21.6	9.9	33.5	66.8	12.7
206	1-1/8	138938	F2BSO-SCFS-102-SHFS											
	1-3/16	138939	F2BSO-SCFS-103-SHFS	1.83	1.52	5.51	1.94	4.59	3/8-16	0.85	0.46	1.57	3.13	0.50
	1-1/4	138940	F2BSO-SCFS-104S-SHFS											
	30 mm	138941	F2BSO-SCFS-30M-SHFS	0.83	38.6	140.0	49.3	116.6	M10	21.6	11.7	39.9	79.5	12.7
207	1-1/4	138942	F2BSO-SCFS-104-SHFS											
	1-5/16	138943	F2BSO-SCFS-105-SHFS	2.53	1.71	6.18	2.10	5.12	1/2-13	0.92	0.54	1.84	3.50	0.50
	1-3/8	138944	F2BSO-SCFS-106-SHFS											
	1-7/16	138945	F2BSO-SCFS-107-SHFS											
208	35 mm	138946	F2BSO-SCFS-35M-SHFS	1.15	43.4	157.0	53.3	130.0	M12	23.4	13.7	46.7	88.9	12.7
	1-1/2	138947	F2BSO-SCFS-108-SHFS	3.24	1.94	6.71	2.34	5.65	1/2-13	0.92	0.64	2.05	3.84	0.50
	40 mm	138948	F2BSO-SCFS-40M-SHFS	1.47	49.3	170.4	59.4	143.5	M12	23.4	16.3	52.1	97.5	12.7

Note: Dimensions are in inches except shaded cells that are in millimeters.

Selection / Dimensions

Food Safe mounted ball bearings

4-bolt flange bearing with standard housing



4-bolt flange bearing with standard housing

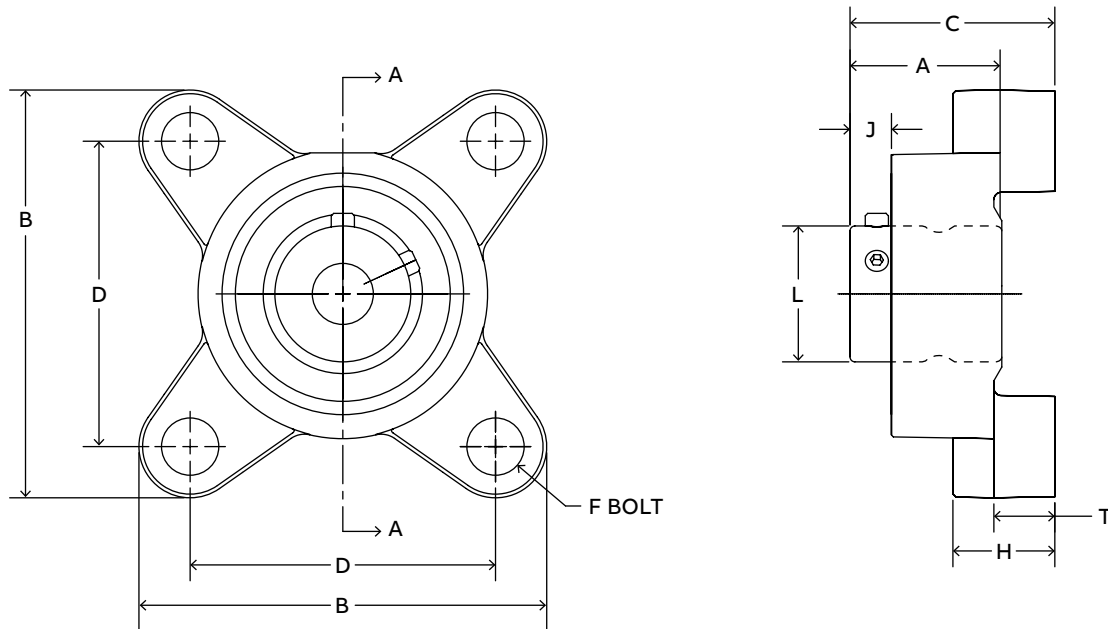
Series	Shaft size	With Food Safe insert		Weight lbs. (kg)	A	B	C	D	F bolt	H	J	L
		Part no.	Description									
204	1/2	137494	F4B-SCFS-008L-SHFS	1.08								
	5/8	137495	F4B-SCFS-010L-SHFS	1.08	1.23	3.35	1.25	2.51	3/8	0.34	0.34	1.11
	3/4	137496	F4B-SCFS-012-SHFS	1.08								
205	20 mm	137498	F4B-SCFS-20M-SHFS	0.49	31.2	85.1	31.7	63.8	M10	8.6	8.8	28.2
	7/8	137499	F4B-SCFS-014-SHFS	1.39								
	15/16	137500	F4B-SCFS-015-SHFS	1.39	1.34	3.75	1.37	2.75	3/8	0.37	0.38	1.32
206	1	137501	F4B-SCFS-100-SHFS	1.39								
	25 mm	137502	F4B-SCFS-25M-SHFS	0.63	34.0	95.3	34.7	69.9	M10	9.4	9.5	33.5
	1-1/8	137504	F4B-SCFS-102-SHFS	2.09								
207	1-3/16	137505	F4B-SCFS-103-SHFS	2.09	1.52	4.16	1.59	3.24	3/8	0.37	0.45	1.57
	1-1/4	137506	F4B-SCFS-104S-SHFS	2.05								
	30 mm	137507	F4B-SCFS-30M-SHFS	0.95	38.6	105.7	40.4	82.3	M10	9.4	11.4	39.9
208	1-1/4	137508	F4B-SCFS-104-SHFS	2.95								
	1-5/16	137509	F4B-SCFS-105-SHFS	2.95								
	1-3/8	137510	F4B-SCFS-106-SHFS	2.95	1.71	4.68	1.76	3.62	1/2	0.42	0.55	1.84
210	1-7/16	137511	F4B-SCFS-107-SHFS	2.78								
	35 mm	137512	F4B-SCFS-35M-SHFS	1.29	43.4	118.9	44.8	91.9	M12	10.7	13.9	46.7
	1-1/2	137513	F4B-SCFS-108-SHFS	3.70	1.94	5.06	1.97	4.00	1/2	0.43	0.62	2.05
211	40 mm	137515	F4B-SCFS-40M-SHFS	1.64	49.3	128.5	50.1	101.6	M12	10.9	15.7	52.1
	1-15/16	137520	F4B-SCFS-115-SHFS	4.60								
	2	137521	F4B-SCFS-200-SHFS	4.56	1.94	5.67	1.98	4.37	5/8	0.49	0.62	2.43
	50 mm	137522	F4B-SCFS-50M-SHFS	2.07	49.3	144.0	50.3	111.0	M16	12.4	15.7	61.7

Note: Dimensions are in inches except shaded cells that are in millimeters.

Selection / Dimensions

Food Safe mounted ball bearings

4-bolt flange bearing with stand-off housing



4-bolt flange bearing with stand-off housing

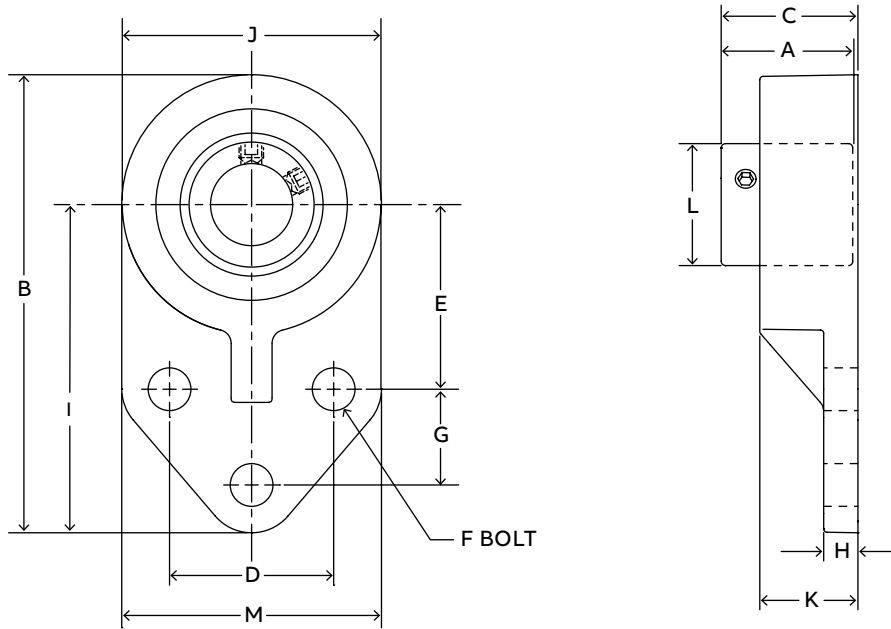
Series	Shaft size	With Food Safe insert		Weight lbs. (kg)	A	B	C	D	F bolt	H	J	L	T
		Part no.	Description										
204	1/2	138949	F4BSO-SCFS-008L-SHFS										
	5/8	138950	F4BSO-SCFS-010L-SHFS	1.30	1.23	3.35	1.68	2.51	3/8-16	0.84	0.34	1.12	0.50
	3/4	138951	F4BSO-SCFS-012-SHFS										
	20 mm	138952	F4BSO-SCFS-20M-SHFS	0.59	31.2	85.1	42.7	63.8	M10	21.3	8.6	28.4	12.7
205	7/8	138953	F4BSO-SCFS-014-SHFS										
	15/16	138954	F4BSO-SCFS-015-SHFS	1.69	1.34	3.75	1.73	2.75	3/8-16	0.87	0.37	1.32	0.50
	1	138955	F4BSO-SCFS-100-SHFS										
	25 mm	138956	F4BSO-SCFS-25M-SHFS	0.77	34.0	95.3	43.9	69.9	M10	22.1	9.4	33.5	12.7
206	1-1/8	138957	F4BSO-SCFS-102-SHFS										
	1-3/16	138958	F4BSO-SCFS-103-SHFS	2.19	1.52	4.16	1.94	3.24	3/8-16	0.87	0.45	1.57	0.50
	1-1/4	138959	F4BSO-SCFS-104S-SHFS										
	30 mm	138960	F4BSO-SCFS-30M-SHFS	0.99	38.6	105.7	49.3	82.3	M10	22.1	11.4	39.9	12.7
207	1-1/4	138961	F4BSO-SCFS-104-SHFS										
	1-5/16	138962	F4BSO-SCFS-105-SHFS	2.97	1.71	4.68	2.10	3.62	1/2-13	0.92	0.53	1.84	0.50
	1-3/8	138963	F4BSO-SCFS-106-SHFS										
	1-7/16	138964	F4BSO-SCFS-107-SHFS										
208	35 mm	138965	F4BSO-SCFS-35M-SHFS	1.35	43.4	118.9	53.3	91.9	M12	23.4	13.5	46.7	12.7
	1-1/2	138966	F4BSO-SCFS-108-SHFS	3.66	1.94	5.06	2.34	4.00	1/2-13	0.93	0.63	2.05	0.50
	40 mm	138967	F4BSO-SCFS-40M-SHFS	1.66	49.3	128.5	59.4	101.6	M12	23.6	16.0	52.1	12.7

Note: Dimensions are in inches except shaded cells that are in millimeters.

Selection / Dimensions

Food Safe mounted ball bearings

Flange bracket bearing with standard housing



Flange bracket bearing with standard housing

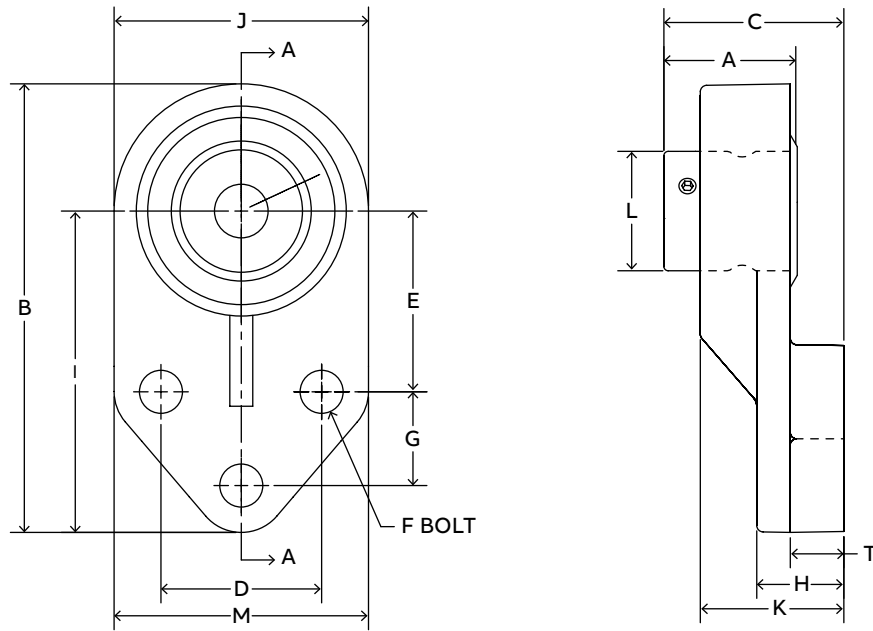
Series	Shaft size	With Food Safe insert		Weight lbs. (kg)	A	B	C	D	E	F bolt	G	H	I	J	K	L	M
		Part no.	Description														
204	1/2	137523	FB-SCFS-008-SHFS	1.00													
	5/8	137524	FB-SCFS-010-SHFS	1.00	1.23	4.19	1.25	1.50	1.69	3/8	0.88	0.31	3.00	2.38	0.90	1.11	2.38
	3/4	137525	FB-SCFS-012-SHFS	1.00													
205	20 mm	137527	FB-SCFS-20M-SHFS	.45	31.2	106.4	31.8	38.1	42.9	M10	22.4	7.9	76.2	60.4	22.9	28.2	60.5
	7/8	137528	FB-SCFS-014-SHFS	1.26													
	15/16	137529	FB-SCFS-015-SHFS	1.26	1.34	4.69	1.37	1.63	1.81	3/8	1.13	0.38	3.38	2.62	0.98	1.32	2.50
206	1	137530	FB-SCFS-100-SHFS	1.26													
	25 mm	137531	FB-SCFS-25M-SHFS	.52	34.0	119.1	34.7	41.4	46.0	M10	28.7	9.7	85.9	66.4	24.9	33.5	63.5
	1-1/8	137533	FB-SCFS-102-SHFS	1.95													
207	1-3/16	137534	FB-SCFS-103-SHFS	1.95	1.52	5.31	1.59	1.88	2.06	3/8	1.25	0.38	3.75	3.12	1.14	1.57	2.75
	1-1/4	137535	FB-SCFS-104S-SHFS	1.85													
	30 mm	137536	FB-SCFS-30M-SHFS	.89	38.6	134.9	40.4	47.8	52.3	M10	31.8	9.7	95.3	79.2	29.0	39.9	69.9
207	1-1/4	137537	FB-SCFS-104-SHFS	2.87													
	1-5/16	137538	FB-SCFS-105-SHFS	2.87													
	1-3/8	137539	FB-SCFS-106-SHFS	2.87	1.71	6.00	1.76	2.00	2.38	1/2	1.25	0.50	4.25	3.12	1.22	1.84	3.25
	1-7/16	137540	FB-SCFS-107-SHFS	2.87													
	35 mm	137541	FB-SCFS-35M-SHFS	1.3	43.4	152.4	44.8	50.8	60.5	M12	31.8	12.7	108.0	88.8	31.0	46.7	82.6

Note: Dimensions are in inches except shaded cells that are in millimeters.

Selection / Dimensions

Food Safe mounted ball bearings

Flange bracket bearing with stand-off housing



Flange bracket bearing with stand-off housing

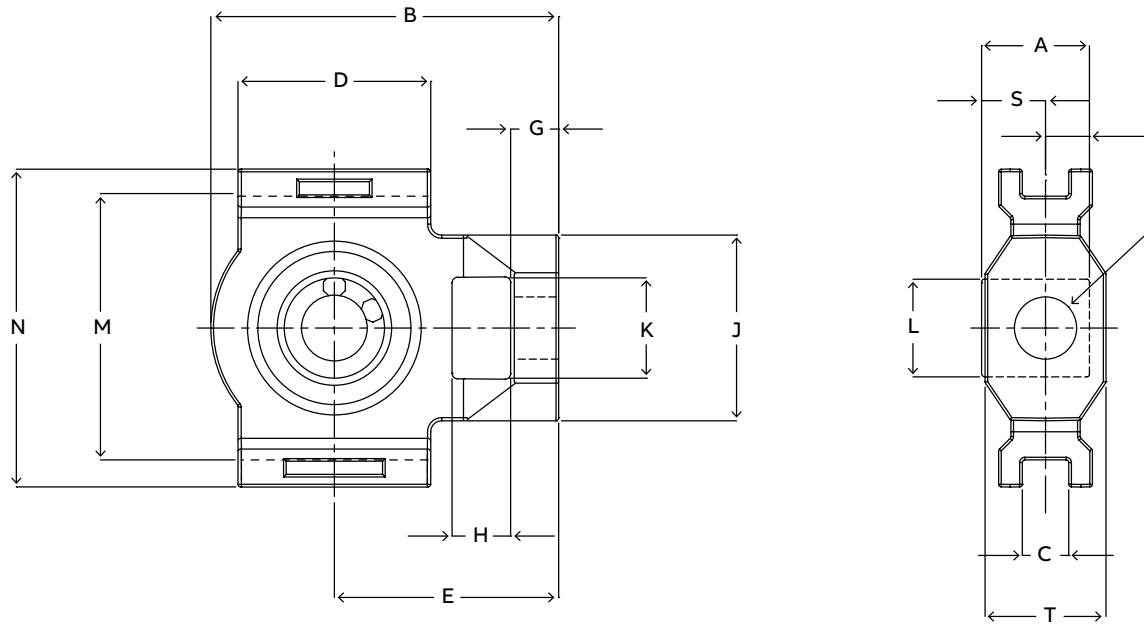
Series	Shaft size	With Food Safe insert		Weight lbs. (kg)	A	B	C	D	E	F bolt	G	H	I	J	K	L	M	T	
		Part no.	Description																
204	1/2	138968	FBSO-SCFS-008L-SHFS																
	5/8	138969	FBSO-SCFS-010L-SHFS	1.34	1.23	4.19	1.68	1.50	1.69	3/8-16	0.88	0.81	3.00	2.38	1.33	1.12	2.38	0.50	
	3/4	138970	FBSO-SCFS-012-SHFS																
	20 mm	138971	FBSO-SCFS-20M-SHFS	0.61	31.2	106.4	42.7	38.1	42.9	M10	22.4	20.6	76.2	60.5	33.8	28.4	60.5	12.7	
205	7/8	138972	FBSO-SCFS-014-SHFS																
	15/16	138973	FBSO-SCFS-015-SHFS	1.47	1.34	4.69	1.73	1.63	1.81	3/8-16	1.13	0.88	3.38	2.63	1.35	1.32	2.50	0.50	
	1	138974	FBSO-SCFS-100-SHFS																
	25 mm	138975	FBSO-SCFS-25M-SHFS	0.67	34.0	119.1	43.9	41.4	46.0	M10	28.7	22.4	85.9	66.8	34.3	33.5	63.5	12.7	
206	1-1/8	138976	FBSO-SCFS-102-SHFS																
	1-3/16	138977	FBSO-SCFS-103-SHFS	2.12	1.52	5.31	1.94	1.88	2.06	3/8-16	1.25	0.88	3.75	3.13	1.48	1.57	2.75	0.50	
	1-1/4	138978	FBSO-SCFS-104S-SHFS																
	30 mm	138979	FBSO-SCFS-30M-SHFS	0.96	38.6	134.9	49.3	47.8	52.3	M10	31.8	22.4	95.3	79.5	37.6	39.9	69.9	12.7	
207	1-1/4	138980	FBSO-SCFS-104-SHFS																
	1-5/16	138981	FBSO-SCFS-105-SHFS	3.29	1.71	6.00	2.10	2.00	2.38	1/2-13	1.25	1.00	4.25	3.50	1.57	1.84	3.25	0.50	
	1-3/8	138982	FBSO-SCFS-106-SHFS																
	35 mm	138984	FBSO-SCFS-35M-SHFS	1.49	43.4	152.4	53.3	50.8	60.5	M12	31.8	25.4	108.0	88.9	39.9	46.7	82.6	12.7	

Note: Dimensions are in inches except shaded cells that are in millimeters.

Selection / Dimensions

Food Safe mounted ball bearings

Wide slot take-up bearings



Wide slot take-up bearings

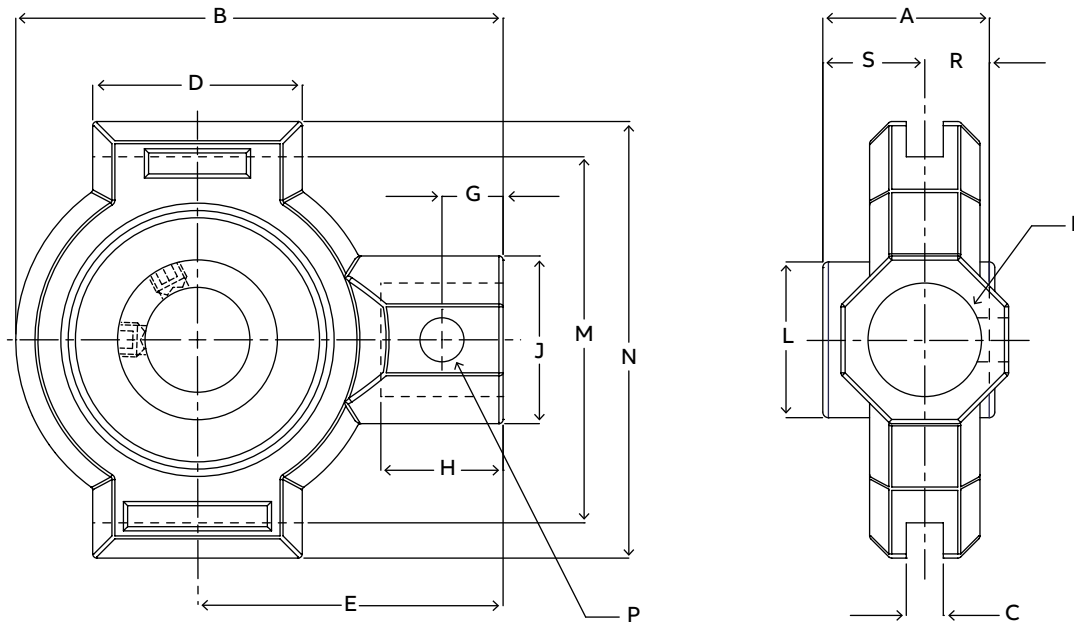
Series	Shaft size	With Food Safe insert Part no.	Description	Weight lbs. (kg)	Take-up frame no. ref.	A	B	C	D	E	F bolt	G	H	J	K	L	M	N	R	S	T
204	1/2	137581	WSTU-SCFS-008L-SHFS	2.14	WS300																
	5/8	137582	WSTU-SCFS-010L-SHFS	2.14		1.23	3.97	0.530	2.20	2.56	5/8	0.56	0.65	2.12	1.15	1.11	3.025/ 2.995	3.63	0.5	0.73	1.38
	3/4	137583	WSTU-SCFS-012-SHFS	2.1w4		31.2	100.8	13.46	55.9	65.0	15.9	14.2	16.5	53.8	29.2	28.2	76.84/ 76.07	92.2	12.7	18.5	35.1
	20 mm	137585	WSTU-SCFS-20M-SHFS	(.97)																	
205	7/8	137586	WSTU-SCFS-014-SHFS	2.03	WS300																
	15/16	137587	WSTU-SCFS-015-SHFS	2.03		1.34	3.97	0.530	2.20	2.56	5/8	0.56	0.65	2.12	1.15	1.32	3.025/ 2.995	3.63	0.56	0.78	1.38
	1	137588	WSTU-SCFS-100-SHFS	2.03		34.0	100.8	13.46	55.9	65.0	15.9	14.2	16.5	53.8	29.2	33.5	76.84/ 76.07	92.2	14.2	19.8	35.1
	25 mm	137589	WSTU-SCFS-25M-SHFS	(.92)																	
206	1-1/8	137591	WSTU-SCFS-102-SHFS	3.36	WS308																
	1-3/16	137592	WSTU-SCFS-103-SHFS	3.36		1.52	4.99	0.530	2.26	3.10	3/4	0.56	0.65	2.43	1.39	1.57	3.540/ 3.510	4.2	0.58	0.94	1.62
	1-1/4	137593	WSTU-SCFS-104S-SHFS	3.36		38.6	126.7	13.46	57.4	78.7	19.1	14.2	16.5	61.7	35.3	39.9	89.92/ 89.15	106.7	14.7	23.9	41.1
	30 mm	137594	WSTU-SCFS-30M-SHFS	(1.52)																	
207	1-1/4	137595	WSTU-SCFS-104-SHFS	3.21	WS308																
	1-5/16	137596	WSTU-SCFS-105-SHFS	3.21		1.71	4.99	0.530	2.26	3.10	3/4	0.56	0.65	2.43	1.39	1.84	3.540/ 3.510	4.2	0.67	1.04	1.62
	1-3/8	137597	WSTU-SCFS-106-SHFS	3.21		43.4	126.7	13.46	57.4	78.7	19.1	14.2	16.5	61.7	35.3	46.7	89.92/ 89.15	106.7	17	26.4	41.1
	1-7/16	137598	WSTU-SCFS-107-SHFS	3.21																	
208	1-1/2	137600	WSTU-SCFS-108-SHFS	4.52	WS400																
	40 mm	137602	WSTU-SCFS-40M-SHFS	(2.1)		1.94	5.63	0.688	3.25	3.50	1	0.63	0.75	2.75	1.94	2.05	4.015/ 3.985	4.5	0.75	1.19	1.62
						49.3	143.0	17.48	82.6	88.9	25.4	16.0	19.1	69.9	49.3	52.10	101.98/ 101.22	114.30	19.1	30.2	41.1

Note: Dimensions are in inches except shaded cells that are in millimeters.

Selection / Dimensions

Food Safe mounted ball bearings

Narrow slot take-up bearings



Narrow slot take-up bearings

Series	Shaft size	With Food Safe insert Part no.	Description	Weight lbs. (kg)	Take-up frame no. ref.	A	B	C	D	E	F bolt	G	H	J	L	M	N	Pin dia.	R	S
204	1/2	137552	NSTU-SCFS-008L-SHFS	1.16	NS210	1.23	3.49	0.265	1.50	2.19	3/4	0.44	0.88	1.20	1.11	2.635/ 2.605	3.13	0.32	0.5	0.73
	5/8	137553	NSTU-SCFS-010L-SHFS	1.16																
	3/4	137554	NSTU-SCFS-012-SHFS	1.16																
	20 mm	137556	NSTU-SCFS-20M-SHFS	.53		31.2	88.6	6.73	38.1	55.6	19.1	11.2	22.4	30.5	28.2	66.93/ 66.17	79.5	8.1	12.7	18.5
205	7/8	137557	NSTU-SCFS-014-SHFS	1.06	NS210	1.34	3.49	0.265	1.50	2.19	3/4	0.44	0.88	1.20	1.32	2.635/ 2.605	3.13	0.32	0.56	0.78
	15/16	137558	NSTU-SCFS-015-SHFS	1.06																
	1	137559	NSTU-SCFS-100-SHFS	1.06																
	25 mm	137560	NSTU-SCFS-25M-SHFS	.48		34.0	88.6	6.73	38.1	55.6	19.1	11.2	22.4	30.5	33.5	66.93/ 66.17	79.5	8.1	14.2	19.8
206	1-1/8	137562	NSTU-SCFS-102-SHFS	2.51	NS308	1.52	4.50	0.265	2.50	2.69	3/4	0.50	0.94	1.20	1.57	3.510/ 3.480	4.13	0.32	0.58	0.94
	1-3/16	137563	NSTU-SCFS-103-SHFS	2.51																
	1-1/4	137564	NSTU-SCFS-104S-SHFS	2.51																
	30 mm	137565	NSTU-SCFS-30M-SHFS	1.14		38.6	114.3	6.73	63.5	68.3	19.1	12.7	23.9	30.5	39.9	89.15/ 88.39	104.9	8.1	14.7	23.9
207	1-1/4	137566	NSTU-SCFS-104-SHFS	2.65	NS308	1.71	4.50	0.265	2.50	2.69	3/4	0.50	0.94	1.20	1.84	3.510/ 3.480	4.13	0.32	0.67	1.04
	1-5/16	137567	NSTU-SCFS-105-SHFS	2.65																
	1-3/8	137568	NSTU-SCFS-106-SHFS	2.65																
	35 mm	137570	NSTU-SCFS-35M-SHFS	1.20		43.4	114.3	6.73	63.5	68.3	19.1	12.7	23.9	30.5	46.7	89.15/ 88.39	104.9	8.1	17	26.4
208	1-1/2	137571	NSTU-SCFS-108-SHFS	4.08	NS400	1.94	5.38	0.328	3.00	3.25	1	0.66	1.16	1.50	2.05	4.015/ 3.985	4.75	0.38	0.75	1.19
	40 mm	137573	NSTU-SCFS-40M-SHFS	1.85																

Note: Dimensions are in inches except shaded cells that are in millimeters.



Dodge Industrial, Inc.

1061 Holland Road, Simpsonville, SC 29681

+1 864 297 4800

dodgeindustrial.com

Dodge Industrial, Inc. reserves all rights in this document and in the subject matter and illustrations contained therein. We reserve the right to modify contents without prior notice and do not accept responsibility for potential errors or possible lack of information in this document. Dodge Industrial, Inc. Terms and Conditions apply. Any reproduction, disclosure to third parties or utilization of its contents—in whole or in parts—is forbidden without prior written consent of Dodge Industrial, Inc.

© Copyright Dodge Industrial, Inc. All rights reserved. Specifications subject to change without notice.
An RBC Bearings company.

BR1FS01-10.22