

Dodge® TXT & TDT Cooling Fans Instruction Manual

Sizes: TXT505A, TXT5C, TXT6–TXT12, TDT6–TDT15, T19

These instructions must be read thoroughly before installation or operation. This instruction manual was accurate at the time of printing. Please see dodgeindustrial.com for updated instruction manuals.

WARNING: To ensure the drive is not unexpectedly started, turn off and lock-out or tag power source before proceeding. Failure to observe these precautions could result in bodily injury.

WARNING: All products over 25 kg (55 lbs) are noted on the shipping package. Proper lifting practices are required for these products.

WARNING: Because of the possible danger to person(s) or property from accidents which may result from the improper use of products, it is important that correct procedures be followed. Products must be used in accordance with the engineering information specified in the catalog. Proper installation, maintenance and operation procedures must be observed. The instructions in the instruction manuals must be followed. Inspections should be made as necessary to assure safe operation under prevailing conditions. Proper guards and other suitable safety devices or procedures as may be desirable or as may be specified in safety codes should be provided, and are neither provided by Dodge nor are the responsibility of Dodge. This unit and its associated equipment must be installed, adjusted and maintained by qualified personnel who are familiar with the construction and operation of all equipment in the system and the potential hazards involved. When risk to persons or property may be involved, a holding device must be an integral part of the driven equipment beyond the speed reducer output shaft.

INSTALLATION

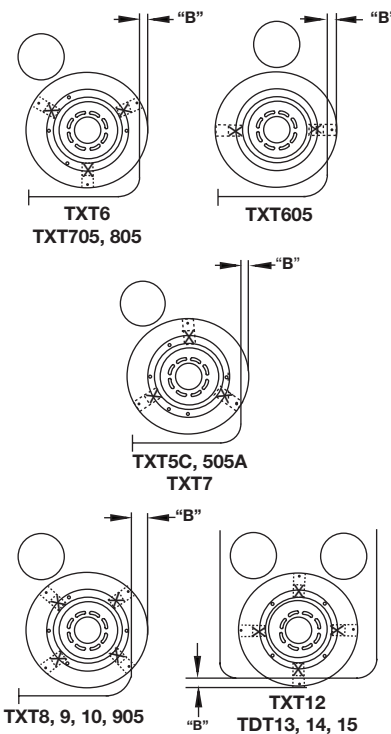
1. Examine all parts for possible damage during shipping. Insure that all parts are free of any foreign materials prior to assembly.
2. Remove every other bolt in the input shaft seal carrier and set aside. Refer to Figure 1 for bolts to be removed.
3. Set shroud mounting straps in place and reinstall input shaft seal carrier bolts until finger tight. Mount fan shroud so that it is centered and align mounting straps. Remove shroud and tighten carrier bolts to recommended torque in Table 1.

Note: It is important that straps do not move after they are aligned.

4. Place safety screen on shaft against straps. Place fan blade on input shaft with fan blade edge distance 'A' (Figure 2 and Table 1) from end of shaft. Install set screws in fan blade hub and tighten securely
5. Mount fan shroud making sure it is centered and install bolts through shroud and safety screen. Install lockwashers and hex nuts, tightening securely.
6. Check clearance between fan blades and shroud to insure that they do not touch.

Table 1

| Size | A | B | Torque (lb-ins) |
|---------------|---------|---------|-----------------|
| TXT505A | 1-11/16 | 0 | 360 |
| TXT5C | 3-11/16 | 0 | 360 |
| TDT6, TXT6A | 3-3/4 | 1-3/4 | 360 |
| TDT7, TXT7A | 4 | 2-3/16 | 600 |
| TDT8, TXT8A | 4-1/2 | 2-3/16 | 360 |
| TDT9, TXT9A | 6-11/16 | 3-3/4 | 360 |
| TDT10, TXT10A | 6-1/2 | 2-1/4 | 360 |
| TDT12, TXT12 | 6-1/4 | 3-1/4 | 1800 |
| TDT13 | 6-1/16 | 3-15/16 | 1800 |
| TDT14 | 9 | 2-13/16 | 3120 |
| TDT15 | 9-7/8 | 2 | 3120 |
| TXT605 | 3-11/16 | 0 | 360 |
| TXT705 | 4-3/16 | 0 | 360 |
| TXT805 | 4-33/64 | 0 | 360 |
| TXT905 | 6-15/16 | 0 | 360 |



X - Remove bolts marked "X"

Figure 1 - Bolt Removal

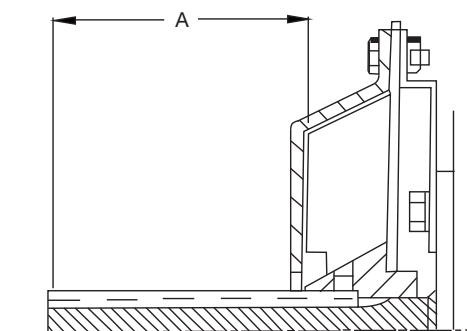
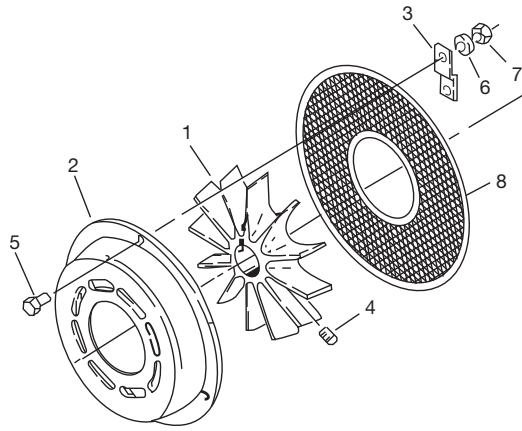


Figure 2 - Fan Blade Safety Screen Placement

Replacement Parts for Cooling Fan



| Reference | Description | Qty Required | Part Numbers | | | | | |
|-----------|------------------------|--------------|--------------|--------|-------------|-------------|-------------|-------------|
| | | | TXT505A | TXT5C | TDT6, TXT6A | TDT7, TXT7A | TDT8, TXT8A | TDT9, TXT9A |
| | Cooling Fan Assembly ① | 1 | 255231 | 272369 | 272325 | 272326 | 272327 | 272328 |
| 1 | ② Fan Blade | 1 | 255232 | 272415 | 272334 | 272335 | 272335 | 272336 |
| 2 | ② Fan Shroud | 1 | 255233 | 272422 | 272344 | 272346 | 272346 | 272347 |
| 3 | ② Mounting Strap | ③ | 255234 | 245636 | 272353 | 272354 | 272355 | 272356 |
| 4 | ② Set Screw | 2 | 400026 | 400026 | 400026 | 400086 | 400086 | 400094 |
| 5 | ② Cap Screw | ③ | 411394 | 411394 | 411409 | 411409 | 411409 | 411407 |
| 6 | ② Lockwasher | ③ | 419009 | 419009 | 419011 | 419011 | 419011 | 419011 |
| 7 | ② Hex Nut | 1 | 407083 | 407083 | 407087 | 407087 | 407087 | 407087 |
| 8 | Safety Screen | 1 | - | - | 242750 | 242751 | 242751 | 242753 |
| 9 | ② Bracket | ④ | 255235 | 255235 | - | - | - | - |
| 10 | ② Bracket Screw | ④ | 411022 | 411022 | - | - | - | - |
| 11 | ② Lock Washer | ④ | 419077 | 419077 | - | - | - | - |
| 12 | ② Fan Key | 1 | 443112 | 443112 | - | - | - | - |
| 13 | ② Shaft Key | 1 | 443094 | 443094 | - | - | - | - |

| Reference | Description | Qty Required | Part Numbers | | | | | |
|-----------|----------------------|--------------|---------------|--------------|--------|--------|--------|--------|
| | | | TDT10, TXT10A | TDT12, TXT12 | TDT13 | TDT14 | TDT15 | T19 |
| | Cooling Fan Assembly | 1 | 272329 | 272330 | 272331 | 272332 | 272333 | 272324 |
| 1 | ② Fan Blade | 1 | 272337 | 272337 | 272338 | 272338 | 272339 | 272335 |
| 2 | ② Fan Shroud | 1 | 272347 | 272347 | 272348 | 272348 | 272348 | 272346 |
| 3 | ② Mounting Strap | ③ | 272356 | 272357 | 272361 | 272358 | 272359 | 272360 |
| 4 | ② Set Screw | 2 | 400090 | 400090 | 400154 | 400154 | 400146 | 400086 |
| 5 | ② Cap Screw | ③ | 411407 | 411407 | 411407 | 411407 | 411407 | 411409 |
| 6 | ② Lockwasher | ③ | 419011 | 419011 | 419011 | 419011 | 419011 | 419011 |
| 7 | ② Hex Nut | 1 | 407087 | 407087 | 407087 | 407087 | 407087 | 407087 |
| 8 | Safety Screen | 1 | 242753 | 424753 | 242756 | 242756 | 242756 | 242753 |
| 9 | ② Bracket | ④ | - | - | - | - | - | - |
| 10 | ② Bracket Screw | ④ | - | - | - | - | - | - |
| 11 | ② Lock Washer | ④ | - | - | - | - | - | - |
| 12 | ② Fan Key | 1 | - | - | - | - | - | - |
| 13 | ② Shaft Key | 1 | - | - | - | - | - | - |

- ① Assembly includes parts listed immediately below.
- ② Included in assemblies under which they are listed.
- ③ 2 required on size TXT505A; 3 required on sizes TXT5B, TDT6 & 7; 4 required on sizes TDT8 – 15 & T19.
- ④ 2 required on size TXT505A; 3 required on size TXT5B.

Dodge Industrial, Inc.
 6040 Ponders Court
 Greenville, SC 29615
 Ph: 1.864.297.4800

