

PRODUCT NOTE

Dodge UC mounted ball bearing units



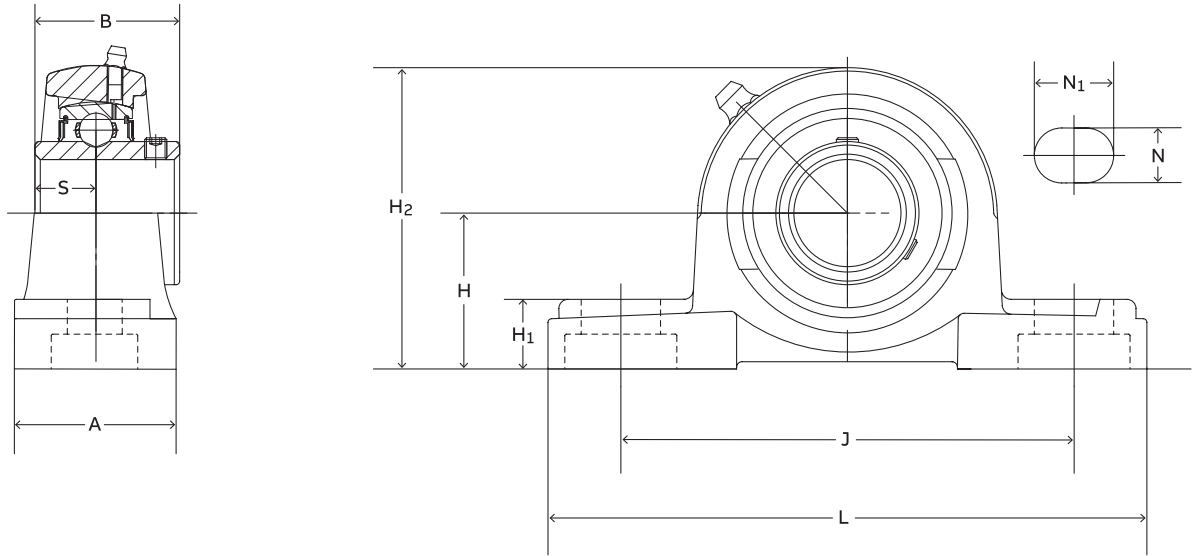
The Dodge UC bearing line combines Dodge experience and the Japanese Industrial Standard (JIS) dimensions to meet the specific needs of customers.

The bearing is interchangeable with leading brands that follow JIS dimensions without modifications to equipment. The competitive line is easy to install and equipped with set screw mounting, engineered for standard duty applications. The line offers popular housing styles with a full bore range to meet the needs of global markets and its purgeable seal is designed to prevent contamination in industrial environments.

Industries:

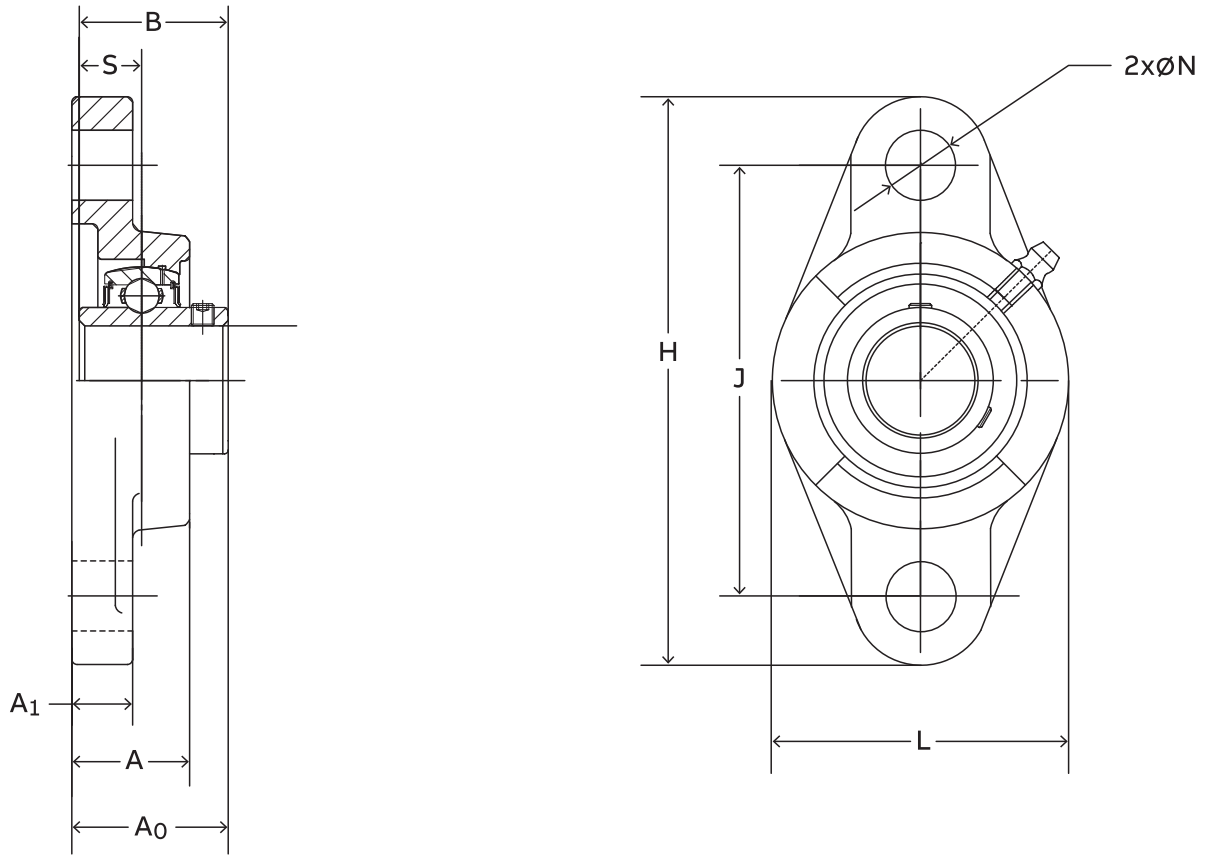
- Material handling
- Warehousing
- Food and beverage
- Tobacco
- Paper and printing
- Agriculture
- Chemical

Pillow block



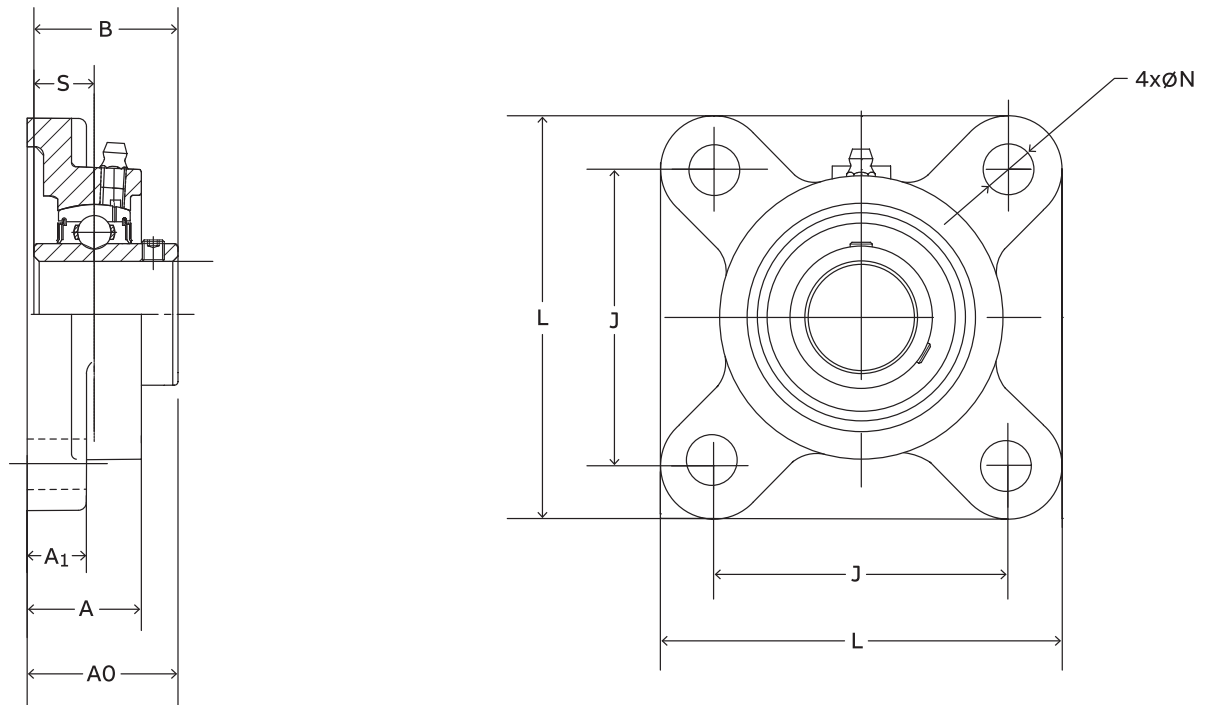
Shaft dia. (mm)	Part number	A (mm)	B (mm)	H (mm)	H ₁ (mm)	H ₂ (mm)	J (mm)	L (mm)	N (mm)	N ₁ (mm)	S (mm)	Bolt size
20	UCP204	38	31.0	33.3	14	65	95	127	13	19	12.7	M10
25	UCP205	38	34.1	36.5	16	71	105	140	13	19	14.3	M10
30	UCP206	48	38.1	42.9	18	83	121	165	17	21	15.9	M14
35	UCP207	48	42.9	47.6	18	94	126	167	17	21	17.5	M14
40	UCP208	54	49.2	49.2	19	100	137	184	17	21	19.0	M14
45	UCP209	54	49.2	54.0	20	108	146	190	17	21	19.0	M14
50	UCP210	60	51.6	57.2	22	114	159	206	20	25	19.0	M16
55	UCP211	60	55.6	63.5	23	126	171	219	20	25	22.2	M16
60	UCP212	70	65.1	69.8	25	138	184	241	20	25	25.4	M16
65	UCP213	70	65.1	76.2	27	150	203	265	25	28	25.4	M20
70	UCP214	72	74.6	79.4	27	156	210	266	25	30	30.2	M20
75	UCP215	74	77.8	82.6	28	163	217	275	25	30	33.3	M20
80	UCP216	78	82.6	88.9	30	175	232	292	25	31	33.3	M20
85	UCP217	83	85.7	95.2	32	187	247	310	25	31	34.1	M20
90	UCP218	88	96.0	101.6	34	200	262	326	27	33	39.7	M22

Two bolt flange



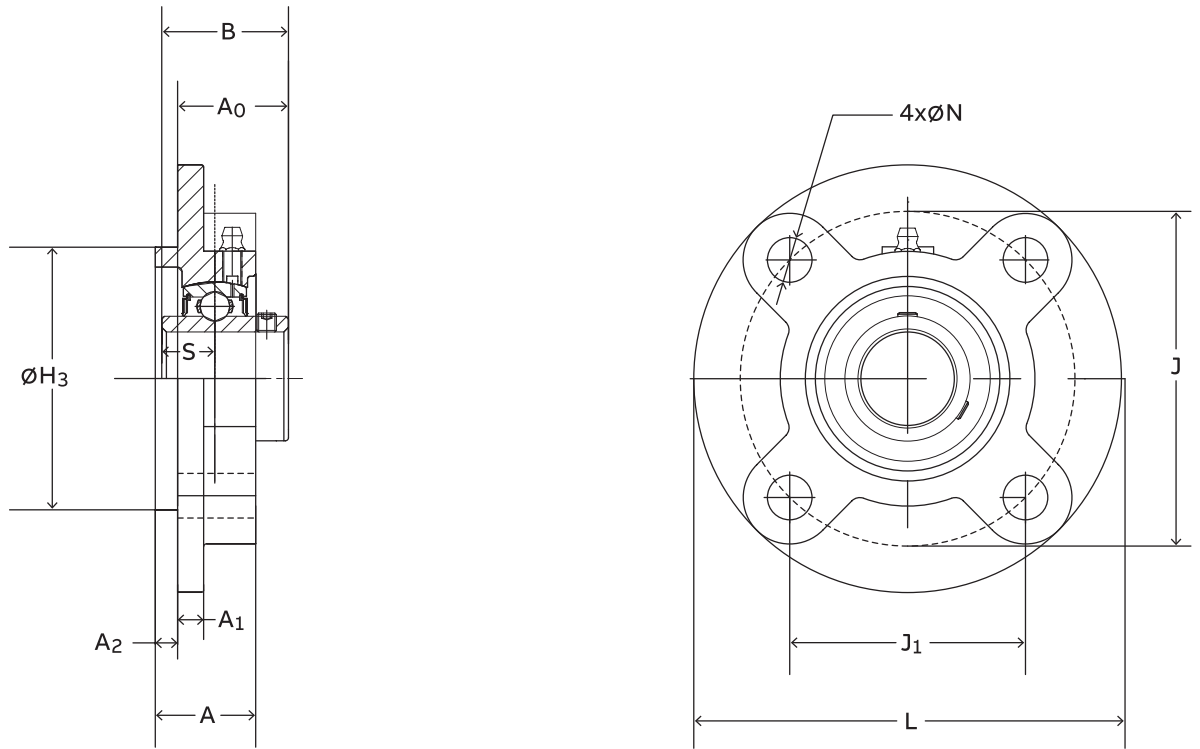
Shaft dia. (mm)	Part number	A (mm)	A ₀ (mm)	A ₁ (mm)	B (mm)	H (mm)	J (mm)	L (mm)	N (mm)	S (mm)	Bolt size
20	UCFL204	25.5	33.3	12	31.0	113	90	60	12	12.7	M10
25	UCFL205	27.0	35.8	14	34.1	130	99	68	16	14.3	M14
30	UCFL206	31.0	40.2	14	38.1	148	117	81	16	15.9	M14
35	UCFL207	34.0	44.4	16	42.9	161	130	91	16	17.5	M14
40	UCFL208	36.0	51.2	17	49.2	175	144	100	16	19.0	M14
45	UCFL209	38.0	52.2	18	49.2	188	148	108	19	19.0	M16
50	UCFL210	40.0	54.6	18	51.6	198	157	116	19	19.0	M16
55	UCFL211	43.0	58.4	20	55.6	224	184	130	19	22.2	M16
60	UCFL212	48.0	68.7	20	65.1	250	202	140	23	25.4	M20
65	UCFL213	54.0	69.7	24	65.1	258	210	155	23	25.4	M20
70	UCFL214	54.0	75.4	24	74.6	265	216	160	23	30.2	M20
75	UCFL215	57.0	79.0	25	77.8	275	225	165	23	33.3	M20
80	UCFL216	59.0	83.8	25	82.6	290	233	180	25	33.3	M20
85	UCFL217	63.0	87.6	26	85.7	305	248	190	25	34.1	M20
90	UCFL218	68.0	98.3	26	96.0	320	265	205	25	39.7	M20

Four bolt flange



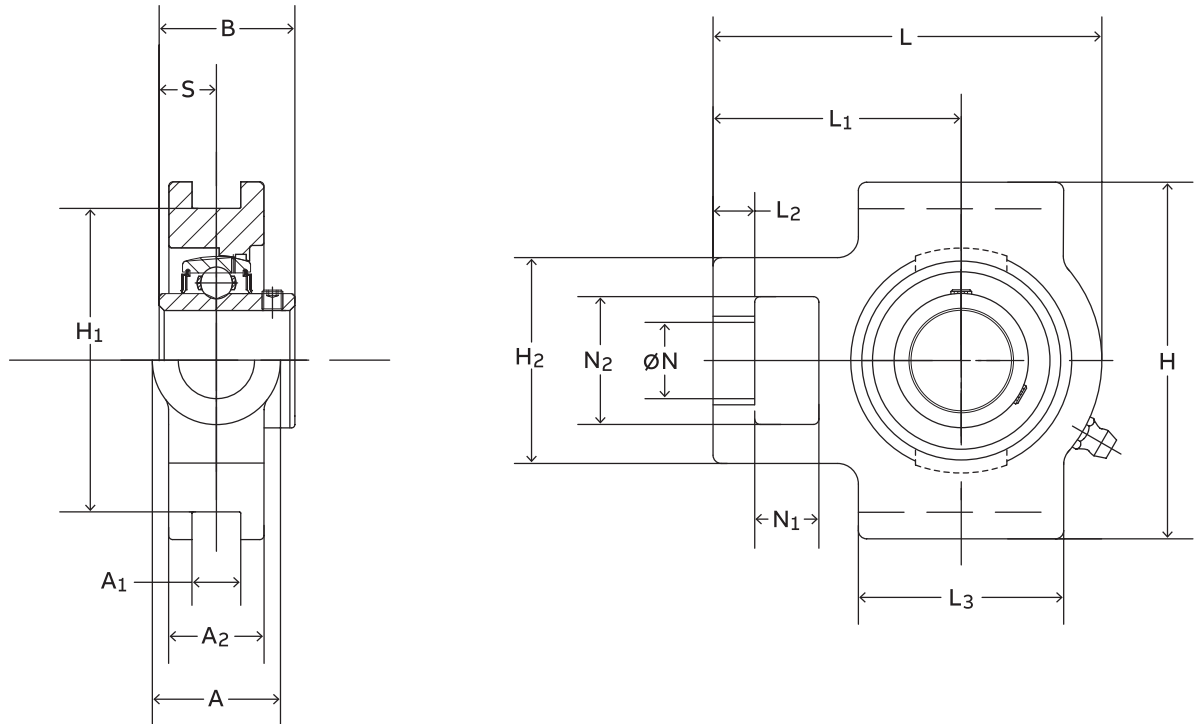
Shaft dia. (mm)	Part number	A (mm)	A ₀ (mm)	A ₁ (mm)	B (mm)	J (mm)	L (mm)	N (mm)	S (mm)	Bolt size
20	UCF204	25.5	33.3	12	31.0	64	86	12	12.7	M10
25	UCF205	27.0	35.8	14	34.1	70	95	12	14.3	M10
30	UCF206	31.0	40.2	14	38.1	83	108	12	15.9	M10
35	UCF207	34.0	44.4	16	42.9	92	117	14	17.5	M12
40	UCF208	36.0	51.2	16	49.2	102	130	16	19.0	M14
45	UCF209	38.0	52.2	18	49.2	105	137	16	19.0	M14
50	UCF210	41.0	54.6	19	51.6	111	143	16	19.0	M14
55	UCF211	43.0	58.4	20	55.6	130	162	19	22.2	M16
60	UCF212	48.0	68.7	20	65.1	143	175	19	24.5	M16
65	UCF213	50.0	69.7	22	65.1	149	187	19	25.4	M16
70	UCF214	55.0	75.4	24	74.6	152	193	19	30.2	M16
75	UCF215	56.0	79.0	24	77.8	159	200	19	33.3	M16
80	UCF216	56.0	83.8	24	83.3	165	208	23	33.3	M20
85	UCF217	59.0	87.6	24	85.7	175	220	23	34.1	M20
90	UCF218	70.0	98.3	27	96.0	187	235	23	39.7	M20

Piloted flange



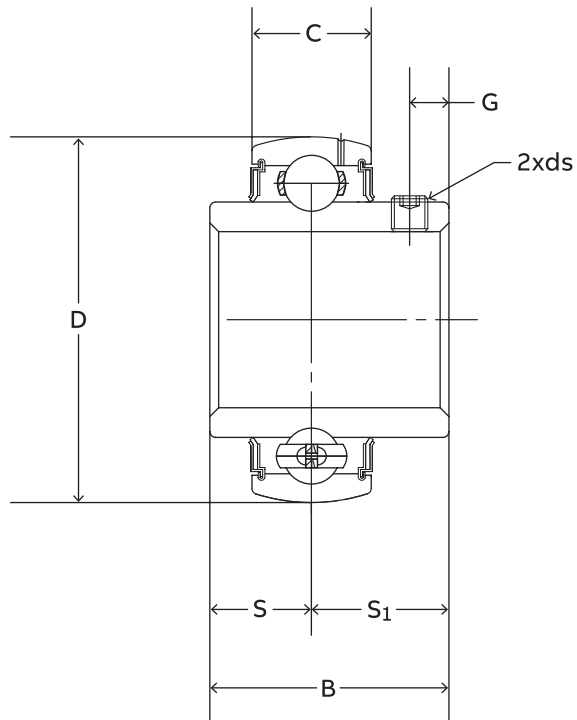
Shaft dia. (mm)	Part number	A (mm)	A ₀ (mm)	A ₁ (mm)	A ₂ (mm)	B (mm)	H ₃ (mm)	J (mm)	J ₁ (mm)	L (mm)	N (mm)	S (mm)	Bolt size
20	UCFC204	25.5	28.3	7	5	31.0	62	78	55.2	100	12	12.7	M10
25	UCFC205	27.0	29.8	6	6	34.1	70	90	63.6	115	12	14.3	M14
30	UCFC206	31.0	32.2	8	8	38.1	80	100	70.7	125	12	15.9	M14
35	UCFC207	34.0	36.4	9	8	42.9	90	110	77.8	135	14	17.5	M14
40	UCFC208	36.0	41.2	9	10	49.2	100	120	84.9	145	14	19.0	M14
45	UCFC209	38.0	40.2	13	12	49.2	105	132	93.3	160	16	19.0	M16
50	UCFC210	40.0	42.6	13	12	51.6	110	138	97.6	165	16	19.0	M16
55	UCFC211	43.0	46.4	15	12	55.6	125	150	106.1	185	19	22.2	M16
60	UCFC212	48.0	56.7	19	12	65.1	135	160	113.1	195	19	25.4	M20
65	UCFC213	50.0	55.7	15	14	65.1	145	170	120.2	205	19	25.4	M20
70	UCFC214	54.0	61.4	16	14	74.6	150	177	125.2	215	19	30.2	M20
75	UCFC215	56.0	62.5	18	16	77.8	160	184	130.1	220	19	33.3	M20
80	UCFC216	58.0	67.3	18	16	82.6	170	200	141.4	240	23	33.3	M20
85	UCFC217	63.0	69.6	20	18	85.7	180	208	147.1	250	23	34.1	M20
90	UCFC218	68.0	78.3	20	18	96.0	190	220	155.6	265	23	39.7	M20

Take up



Shaft dia. (mm)	Part number	A (mm)	A ₁ (mm)	A ₂ ₁ (mm)	B (mm)	H (mm)	H ₁ (mm)	H ₂ (mm)	L (mm)	L ₁ (mm)	L ₂ (mm)	L ₃ (mm)	N (mm)	N ₁ (mm)	N ₂ (mm)	S (mm)
20	UCT204	32	12	21	31.0	89	76	51	94	61	11	51	19	18	32	12.7
25	UCT205	32	12	24	34.0	89	76	51	97	62	11	51	19	18	32	14.3
30	UCT206	37	12	28	38.1	101	89	55	113	70	11	56	22	18	37	15.9
35	UCT207	37	12	30	42.9	102	89	64	129	78	14	64	22	18	37	17.5
40	UCT208	49	16	33	49.2	113	102	82	144	88	17	82	29	20	49	19.0
45	UCT209	49	16	35	49.2	116	102	82	144	88	17	82	29	20	49	19.0
50	UCT210	49	14	37	51.6	116	102	82	149	90	17	85	29	20	49	19.0
55	UCT211	64	22	38	55.6	144	130	101	171	106	20	94	35	26	64	22.2
60	UCT212	64	22	42	65.1	145	130	102	194	119	20	101	35	33	64	25.4

Insert



Shaft dia. (mm)	Part number	B (mm)	C (mm)	D (mm)	G (mm)	S (mm)	S ₁ (mm)	ds (mm)	C (kN)	C ₀ (kN)	Limiting speed (RPM)
20	UC204	31.0	16	47	4.3	12.7	18.3	M6 X 1.0	12.8	6.7	4,800
25	UC205	34.1	17	52	5.5	14.3	19.8	M6 X 1.0	14.0	7.9	4,000
30	UC206	38.1	19	62	5.5	15.9	22.2	M6 X 1.0	19.5	11.2	3,400
35	UC207	42.9	20	72	6.5	17.5	25.4	M8 X 1.0	25.7	15.2	3,000
40	UC208	49.2	21	80	8.0	19.0	30.2	M8 X 1.0	29.6	18.2	2,600
45	UC209	49.2	22	85	8.0	19.0	30.2	M8 X 1.0	31.9	20.8	2,400
50	UC210	51.6	23	90	9.0	19.0	32.6	M10 X 1.0	35.1	23.2	2,200
55	UC211	55.5	25	100	9.0	22.2	33.4	M10 X 1.0	43.6	29.2	2,000
60	UC212	65.1	27	110	10.5	25.4	39.7	M10 X 1.0	47.8	32.8	1,800
65	UC213	65.1	28	120	10.0	25.4	39.7	M10 X 1.0	54.0	37.0	1,700
70	UC214	74.6	29	125	12.0	30.2	44.4	M12 X 1.5	60.8	45.0	1,600
75	UC215	77.8	30	130	12.0	33.3	44.5	M12 X 1.5	66.0	49.5	1,500
80	UC216	82.6	33	140	12.0	33.3	49.3	M12 X 1.5	71.5	54.2	1,400
85	UC217	85.7	35	150	12.0	34.1	51.6	M12 X 1.5	80.0	60.0	1,300
90	UC218	96.0	37	160	12.0	39.7	56.3	M12 X 1.5	95.9	71.5	1,200



Dodge Industrial, Inc.

1061 Holland Road, Simpsonville, SC 29681

+1 864 297 4800

dodgeindustrial.com

Dodge Industrial, Inc. reserves all rights in this document and in the subject matter and illustrations contained therein. We reserve the right to modify contents without prior notice and do not accept responsibility for potential errors or possible lack of information in this document. Any reproduction, disclosure to third parties or utilization of its contents—in whole or in parts—is forbidden without prior written consent of Dodge Industrial, Inc.

© Copyright Dodge Industrial, Inc. All rights reserved. Specifications subject to change without notice.
An RBC Bearings company.